

# Kepeco Sealing Supplies

## HARDENED STEEL BUSHING



# HARDENED STEEL BUSHING

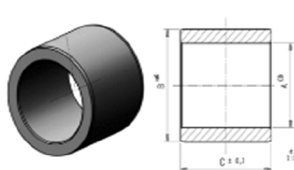
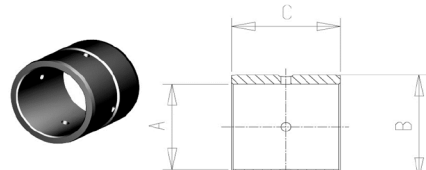
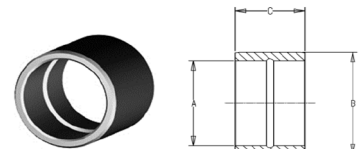
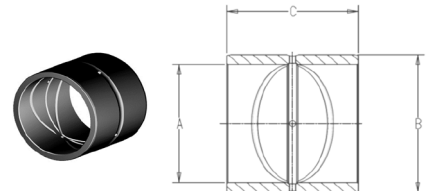
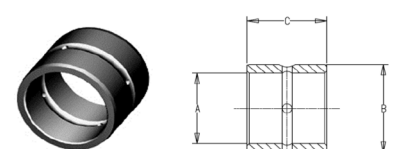
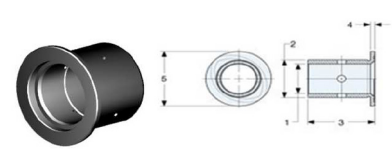
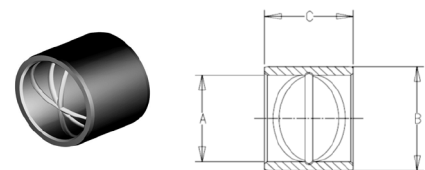
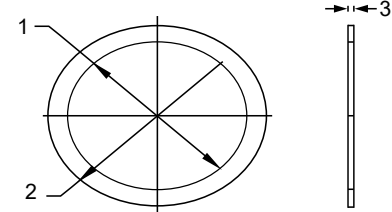
## Material specifications

Hardened steel bushings are excellent for low speed/ high load, or pivot applications. These hardened steel bushings are commonly used to protect a housing from premature wear due to the friction with a pin.

They are manufactured with high carbon steel and thru-hardened to 56-62 HRC. Hardened steel bushings require regular greasing to perform to their maximum potential.

## Applications

Arm, bucket and cylinder joints of wheel loaders, excavators, backhoe loaders.

Type	Profile	Type	Profile
<b>A</b>		<b>E</b>	
<b>B</b>		<b>G</b>	
<b>C</b>		<b>F</b>	
<b>D</b>		<b>Standard Hardened Shims/Spacers</b>	

# HARDENED STEEL BUSHING

## Common pivot applications for hardened steel bushings

Excavator



# HARDENED STEEL BUSHING

## Common pivot applications for hardened steel bushings

Front Loader



# HARDENED STEEL BUSHING



## Bushings - Metric

Ref.Number	Nominal Seal Dimensions		
	d	D	H
MHSB030040030G	30.00	40.00	30.00
MHSB030040040G	30.00	40.00	40.00
MHSB030040050G	30.00	40.00	50.00
MHSB035045032G	35.00	45.00	32.00
MHSB035045035C	35.00	45.00	35.00
MHSB035045040G	35.00	45.00	40.00
MHSB035045045G	35.00	45.00	45.00
MHSB035045050G	35.00	45.00	50.00
MHSB040050030C	40.00	50.00	30.00
MHSB040050040G	40.00	50.00	40.00
MHSB040050045G	40.00	50.00	45.00
MHSB040050050G	40.00	50.00	50.00
MHSB040050055C	40.00	50.00	55.00
MHSB045055030G	45.00	55.00	30.00
MHSB045055040G	45.00	55.00	40.00
MHSB045055045G	45.00	55.00	45.00
MHSB045055050G	45.00	55.00	50.00
MHSB045055060G	45.00	55.00	60.00
MHSB050060045G	50.00	60.00	45.00
MHSB050060050G	50.00	60.00	50.00
MHSB050060065G	50.00	60.00	65.00
MHSB055065060G	55.00	65.00	60.00
MHSB060070055C	60.00	70.00	55.00
MHSB060070060G	60.00	70.00	60.00
MHSB060075050C	60.00	75.00	50.00
MHSB060075060G	60.00	75.00	60.00
MHSB060075065G	60.00	75.00	65.00
MHSB060075070C	60.00	75.00	70.00
MHSB060075080G	60.00	75.00	80.00
MHSB065075050G	65.00	75.00	50.00
MHSB065075060G	65.00	75.00	60.00
MHSB065075070G	65.00	75.00	70.00
MHSB065080050G	65.00	80.00	50.00
MHSB065080060G	65.00	80.00	60.00
MHSB065080065G	65.00	80.00	65.00
MHSB065080070G	65.00	80.00	70.00
MHSB065080080G	65.00	80.00	80.00
MHSB070085032A	70.00	85.00	32.00

Ref.Number	Nominal Seal Dimensions		
	d	D	H
MHSB070085050G	70.00	85.00	50.00
MHSB070085060G	70.00	85.00	60.00
MHSB070085070G	70.00	85.00	70.00
MHSB070085075G	70.00	85.00	75.00
MHSB070085080G	70.00	85.00	80.00
MHSB070085085G	70.00	85.00	85.00
MHSB070085090G	70.00	85.00	90.00
MHSB070085100G	70.00	85.00	100.00
MHSB070085115G	70.00	85.00	115.00
MHSB075090075G	75.00	90.00	75.00
MHSB075090080G	75.00	90.00	80.00
MHSB075090100G	75.00	90.00	100.00
MHSB080090090C	80.00	90.00	90.00
MHSB080090110C	80.00	90.00	110.00
MHSB080095050G	80.00	95.00	50.00
MHSB080095060G	80.00	95.00	60.00
MHSB080095070G	80.00	95.00	70.00
MHSB080095080C	80.00	95.00	80.00
MHSB080095085G	80.00	95.00	85.00
MHSB080095090G	80.00	95.00	90.00
MHSB080095095G	80.00	95.00	95.00
MHSB080095100G	80.00	95.00	100.00
MHSB080095105G	80.00	95.00	105.00
MHSB080095110G	80.00	95.00	110.00
MHSB080095120G	80.00	95.00	120.00
MHSB080095125G	80.00	95.00	125.00
MHSB080100085G	80.00	100.00	85.00
MHSB080100090G	80.00	100.00	90.00
MHSB080100100G	80.00	100.00	100.00
MHSB085100090G	85.00	100.00	90.00
MHSB090105050G	90.00	105.00	50.00
MHSB090105065G	90.00	105.00	65.00
MHSB090105070G	90.00	105.00	70.00
MHSB090105080G	90.00	105.00	80.00
MHSB090105085G	90.00	105.00	85.00
MHSB090105090G	90.00	105.00	90.00
MHSB090105095G	90.00	105.00	95.00
MHSB090105100G	90.00	105.00	100.00

# HARDENED STEEL BUSHING

## Bushings - Metric

Ref.Number	Nominal Seal Dimensions		
	d	D	H
MHSB090105110G	90.00	105.00	110.00
MHSB090105120G	90.00	105.00	120.00
MHSB090105130G	90.00	105.00	130.00
MHSB090106090G	90.00	106.00	90.00
MHSB090106100G	90.00	106.00	100.00
MHSB090106130C	90.00	106.00	130.00
MHSB090110090G	90.00	110.00	90.00
MHSB090110095G	90.00	110.00	95.00
MHSB090110100G	90.00	110.00	100.00
MHSB090110120G	90.00	110.00	120.00
MHSB095110070C	95.00	110.00	70.00
MHSB100115095G	100.00	115.00	95.00
MHSB100115105G	100.00	115.00	105.00
MHSB100115110G	100.00	115.00	110.00
MHSB100115115G	100.00	115.00	115.00
MHSB100115120G	100.00	115.00	120.00
MHSB100115125G	100.00	115.00	125.00
MHSB100115130G	100.00	115.00	130.00

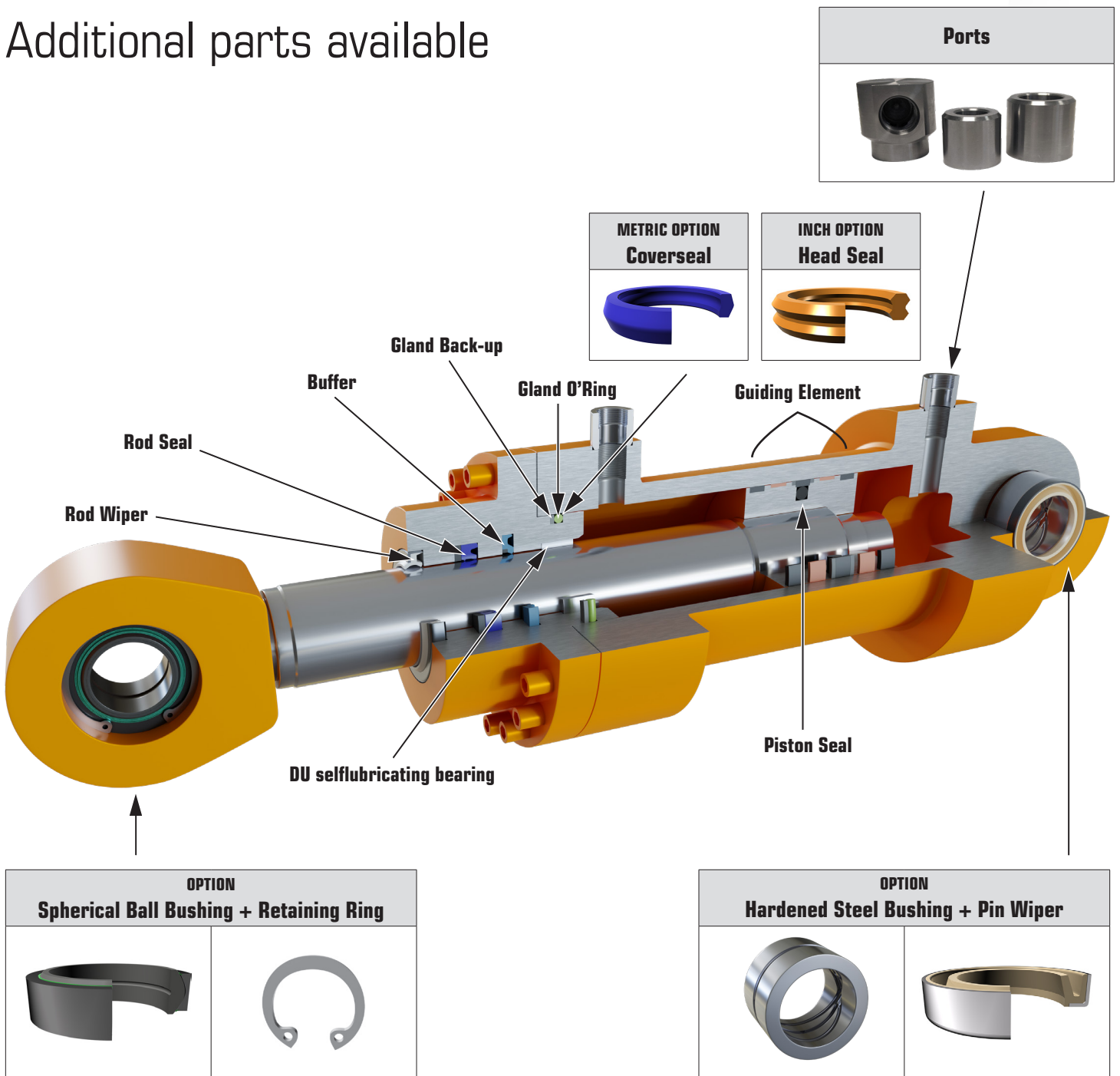
Ref.Number	Nominal Seal Dimensions		
	d	D	H
MHSB100116100G	100.00	116.00	100.00
MHSB100116110G	100.00	116.00	110.00
MHSB100120090G	100.00	120.00	90.00
MHSB100120100G	100.00	120.00	100.00
MHSB100120110G	100.00	120.00	110.00
MHSB100125095G	100.00	125.00	95.00
MHSB100125100G	100.00	125.00	100.00
MHSB100125120G	100.00	125.00	120.00
MHSB110125095G	110.00	125.00	95.00
MHSB110125100G	110.00	125.00	100.00
MHSB110125116G	110.00	125.00	116.00
MHSB110125125G	110.00	125.00	125.00
MHSB110125140G	110.00	125.00	140.00
MHSB110130085G	110.00	130.00	85.00
MHSB110130100G	110.00	130.00	100.00
MHSB110130130C	110.00	130.00	130.00
MHSB120140120G	120.00	140.00	120.00

**Inch size and OEM cross reference part numbers available on request.**

**New sizes are added on a regular basis, contact us for availability!**

# HARDENED STEEL BUSHING

Additional parts available



# XPRESS

## MACHINING CENTER

### Precision – Quality – Quick Turnaround

*Our rapid cell machining center offers you custom made solutions. Our CNC lathe is able to offer you complex sealing solutions of both high precision and quick turnaround time, manufactured from state-of-the-art materials. Regardless of your industry or your application, we will strive to assist you in both design and production of high performance seals in a speedy time frame.*

#### Materials

- AFLAS®
- DYNAMAX®
- EPDM
- FPM – FKM
- HNBR
- NBR
- NYLON
- PEEK
- POLYURETHANE
- SILICONE
- TEFLON®
- UHMW



Full range of materials available for FDA applications

**EXCLUSIVE**

**NEW POLYURETHANE  
GENERATION  
94 AU 30000**

**FREUDENBERG-NOK**  
INNOVATING TOGETHER



Contact us for more information!

## OTHER SERVICES

- ✓ Custom packaging/labeling
- ✓ Cut gaskets
- ✓ Engineering and technical assistance
- ✓ On site training seminars
- ✓ Precision split Clipper shaft seals
- ✓ Vulcanizing