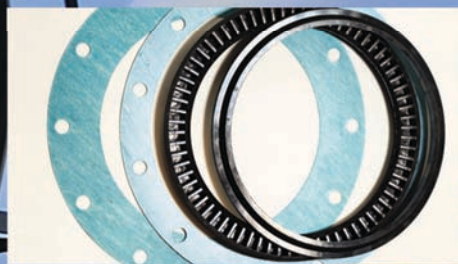


# Sealing Solutions

Solutions pour tous vos besoins en étanchéité  
Solutions for all sealing applications



**Ensembles de joints - Seal Kit**  
**Cylindres industriels et équipements mobiles**  
**Industrial cylinders and mobile equipment**

# Sealing Solutions Group

## Seal Kit Vol. 2 Catalog

We are pleased to introduce Sealing Solutions Seal Kit Vol. 2 Catalog. In this new release you will find extensive new listings for INDUSTRIAL CYLINDER APPLICATIONS and OFF-ROAD MOBILE equipment and machinery. The MOBILE / OFF-ROAD listings are mainly focused on the heavy duty machinery found in the construction, logging, marine and mining industries throughout North America and other world markets.

Sealing Solutions Seal Kit Vol. 2 has been revised and formatted for easy access. All listings are readily accessible through the index section. Sealing Solutions continues to add and refine these listings as new equipment enters the market or upgrades are introduced at the O.E.M. level. QUALITY is the number one priority in our kitting program.

In addition to our extensive after-market seal kit program, in-house custom packaging and labelling is available for our customers special needs. In-house manufacturing services are available for customer's non standard seal requirements. Full custom seal machining capacity up to 40"/1016mm. Our custom seal fabricating facility encompasses TEFLON PISTON RINGS, NYLON WEAR RINGS AND BEARINGS, DYNA-MAX HIGH LOAD WEAR RINGS, LOADED/UNLOADED URETHANE U-CUPS, WIPERS, ROD BUFFER SEALS and other CUSTOM PARTS. SEALING SOLUTIONS offers SAME DAY SERVICE for these services with no non-recurring set up charges, tooling costs or prohibitive minimum quantities.

SEALING SOLUTIONS also carries one of the most complete, comprehensive and extensive inventories of INCH and METRIC SEALS in Canada. All individual hydraulic and pneumatic seals are profiled complete with all engineering/design data in the latest edition of SEALING SOLUTIONS / SEALS catalog.

Need an extra copy of KITS VOL. 2? Need a copy of SEALS VOL. 4? Contact our CUSTOMER SERVICE DEPARTMENT, they will be pleased to supply you with catalogs, specific pricing information and/or look after any other specific requirements you may have.

**Sealing Solutions....seals and so much more.**

Section		Page	
<b>INDUSTRIAL</b>	ATLAS	KITS	1
	HYDRO-LINE	KITS	15
	MILLER FLUID POWER	KITS	31
	PARKER	KITS	57
<b>MOBILE</b>	INDEX	KITS	93
	BARKO	KITS	94
	BOBCAT	KITS	96
	CATERPILLAR	KITS	103
	CHAMPION	KITS	285
	CHARLYNN	KITS	285
	CLARK	KITS	286
	COMMERCIAL INTERTECH	KITS	288
	CROSS	KITS	290
	CUSTOM HOIST	KITS	291
	DEMAG	KITS	294
	DRILTECH	KITS	294
	DROTT	KITS	294
	EATON YALE-TIMBERJACK	KITS	294
	EIMCO JARVIS CLARK	KITS	295
	ESCO	KITS	295
	EUCLID TRUCKS	KITS	295
	GROVE CRANE	KITS	297
	HEIL	KITS	301
	HIAB	KITS	305
	HITACHI	KITS	308
	HYCO	KITS	341
	HYSTER	KITS	350
	HYUNDAI	KITS	352
	INGERSOLL-RAND	KITS	353
	INTERNATIONAL HARVESTER	KITS	353
	JCB	KITS	354
	J.I.CASE	KITS	365
	JOHN DEERE	KITS	405
	KATO	KITS	449
	KOBELCO	KITS	450
	KOEHRING	KITS	458
KOMATSU	KITS	459	
KUBOTA	KITS	484	
LEACH	KITS	486	
LETOURNEAU	KITS	487	
LIEBHERR	KITS	489	
LINK BELT	KITS	490	
mitsubishi	KITS	491	

All manufacturer's names, part numbers and descriptions are used for reference purposes only. We do not imply that any part shown is the product of these manufacturers.

## Section

## Page

Section		Page
<b>MOBILE</b>	PEABODY GALION	KITS 492
	PERFECTION-COBEY	KITS 493
	P & H	KITS 494
	PRENTICE	KITS 495
	RAYGO WAGNER	KITS 502
	SAMSUNG	KITS 503
	TAMROK	KITS 503
	TEREX	KITS 504
	TIMBERJACK	KITS 506
	UNIT RIG	KITS 510
	VICKERS	KITS 510
	VOLVO-MICHIGAN-EUCLID	KITS 511
	WABCO	KITS 533
	WARD	KITS 536
	YUTANI	KITS 537

**INDUSTRIAL  
SEAL KITS**

**MOBILE  
SEAL KITS**



All manufacturer's names, part numbers and descriptions are used for reference purposes only. We do not imply that any part shown is the product of these manufacturers.

**Tel.: (418) 688-3202**  
**Fax: (418) 688-4272**

**INDEX**

**3**

**www.sealsonline.com**

**INDEX**

## INDEX BY INDUSTRY

INDUSTRIAL  
SEAL KITS

MOBILE  
SEAL KITS

ATLAS

<b>CONSTRUCTION EQUIPMENT</b>		<b>CRANES, LOADERS, &amp; PERSONNEL LIFTS</b>	
BOBCAT	KITS 96	BARKO	KITS 94
CATERPILLAR	KITS 103	GROVE CRANE	KITS 297
CHAMPION	KITS 285	HIAB	KITS 305
CLARK	KITS 286	HYUNDAI	KITS 352
DEMAG	KITS 294	PRENTICE	KITS 495
DRILTECH	KITS 294		
DROTT	KITS 294	<b>REFUSE EQUIPMENT</b>	
EUCLID TRUCKS	KITS 295	HEIL	KITS 301
GROVE CRANE	KITS 297	LEACH	KITS 486
HITACHI	KITS 308	PEABODY-GALLION	KITS 492
HYUNDAI	KITS 352		
INGERSOLL-RAND	KITS 353	<b>INDUSTRIAL CYLINDERS</b>	
INTERNATIONAL HARVESTER	KITS 353	ATLAS	KITS 1
JCB	KITS 354	HYDRO-LINE	KITS 15
J.I. CASE	KITS 365	MILLER FLUID POWER	KITS 31
JOHN DEERE	KITS 405	PARKER	KITS 57
KATO	KITS 449	VICKERS	KITS 510
KOBELCO	KITS 450		
KOEHRING	KITS 458	<b>TELESCOPIC CYLINDERS</b>	
KOMATSU	KITS 459	COMMERCIAL INTERTECH	KITS 288
KUBOTA	KITS 484	CUSTOM HOIST	KITS 291
LETOURNEAU	KITS 487	HEIL	KITS 301
LIEBHERR	KITS 489	HYCO	KITS 341
LINK BELT	KITS 490	PEABODY-GALION	KITS 492
MITSUBISHI	KITS 491	PERFECTION COBEY	KITS 493
P&H	KITS 494	WARD	KITS 536
SAMSUNG	KITS 503		
TEREX	KITS 504	<b>MISCELLANEOUS</b>	
VOLVO-MICHIGAN-EUCLID	KITS 511	CROSS	KITS 290
WABCO	KITS 533	HYSTER	KITS 350
YUTANI	KITS 537	TAMROK	KITS 503
		UNIT RIG	KITS 510
<b>LOGGING EQUIPMENT</b>			
BARKO	KITS 94	<b>PUMP &amp; MOTOR PARTS</b>	
CATERPILLAR	KITS 103	CHARLYNN	KITS 285
EATON YALE-TIMBERJACK	KITS 294	COMMERCIAL INTERTECH	KITS 288
ESCO	KITS 295		
J.I. CASE	KITS 365		
JOHN DEERE	KITS 406		
PRENTICE	KITS 495		
RAYGO WAGNER	KITS 502		
TIMBERJACK	KITS 506		

All manufacturer's names, part numbers and descriptions are used for reference purposes only. We do not imply that any part shown is the product of these manufacturers.

## ATLAS - CYLINDERS

### PRODUCT RANGE

Cylinder Type	Duty	Series	Pressure rating	Specification
AIR CYLINDERS	LIGHT DUTY	APM CD CDM	150 PSI/10 BAR 250 PSI/17 BAR 250 PSI/17 BAR	ISO - METRIC
	HEAVY DUTY	A	250 PSI/17 BAR	JIC / NFPA INTERCHANGEABLE
HYDRAULIC CYLINDERS	MEDIUM DUTY	L	1000 PSI/70 BAR	JIC / NFPA INTERCHANGEABLE
	HEAVY DUTY	AHM	3000 PSI/200 BAR	ISO - METRIC

INDUSTRIAL  
SEAL KITS

MOBILE  
SEAL KITS

### INDEX

Cylinder Type	Duty	Series	Page
AIR CYLINDERS	LIGHT DUTY	APM	<b>KITS 4</b>
		CD/CDM	<b>KITS 6</b>
	HEAVY DUTY	A	<b>KITS 8</b>
HYDRAULIC CYLINDERS	MEDIUM DUTY	L	<b>KITS 10</b>
	HEAVY DUTY	AHM	<b>KITS 12</b>

ATLAS

All manufacturer's names, part numbers and descriptions are used for reference purposes only. We do not imply that any part shown is the product of these manufacturers.

**Tel.: (514) 334-2220**  
**Fax: (514) 333-8329**

**KITS**

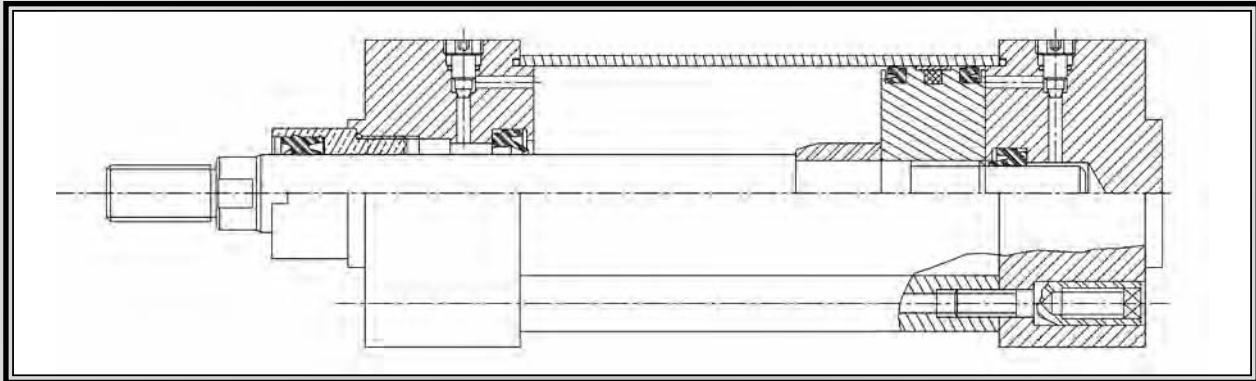
**1**

**www.sealsonline.com**

## ATLAS - CYLINDERS

### AIR CYLINDER - LIGHT DUTY

### SERIES - "APM"

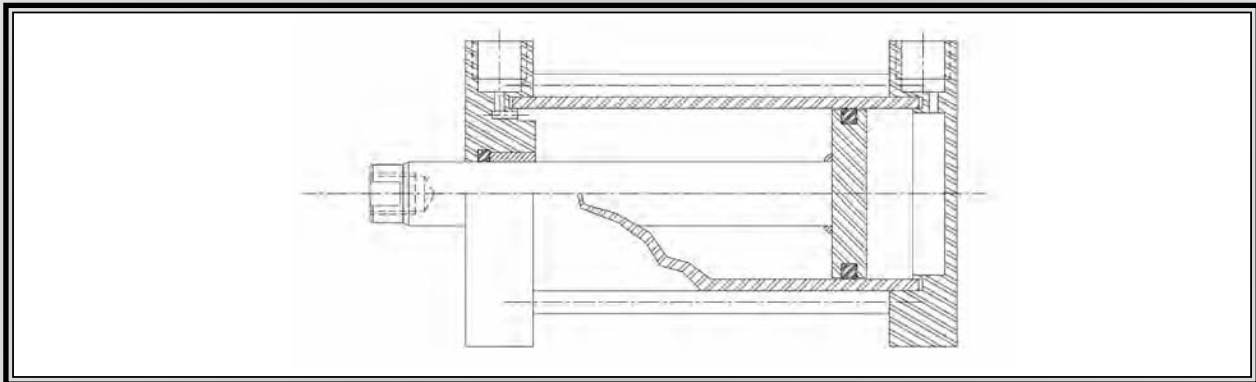


Temperature: **NBR -40/250F [ -40/121C ]**  
**FPM -5/400F [ -21/204C ]**

Pressure: **150 PSI [ 10 BAR ]**

### AIR CYLINDER - LIGHT DUTY

### SERIES - "CD/CDM"

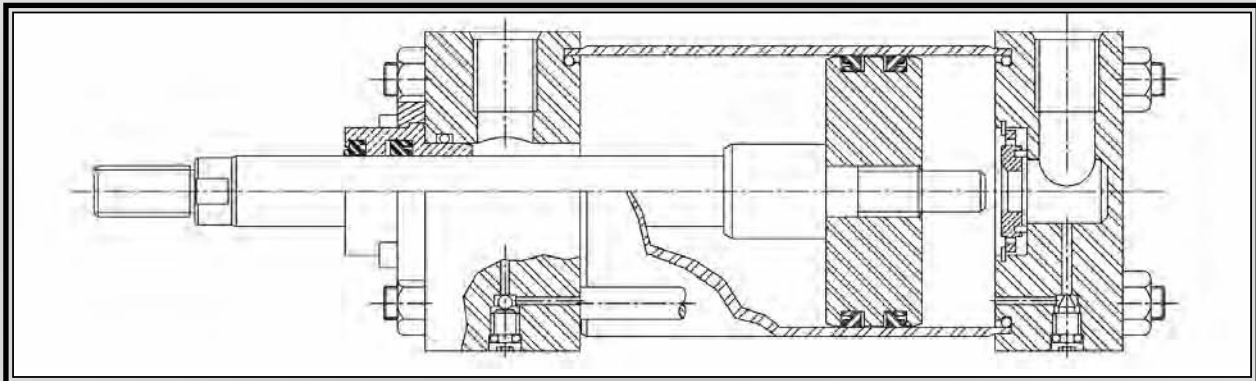


Temperature: **NBR -40/250F [ -40/121C ]**  
**FPM -5/400F [ -21/204C ]**

Pressure: **250 PSI [ 17 BAR ]**

### AIR CYLINDER - HEAVY DUTY

### SERIES - "A"



Temperature: **NBR -40/250F [ -40/121C ]**  
**FPM -5/400F [ -21/204C ]**

Pressure: **150 PSI [ 10 BAR ]**

All manufacturer's names, part numbers and descriptions are used for reference purposes only. We do not imply that any part shown is the product of these manufacturers.

INDUSTRIAL  
SEAL KITS

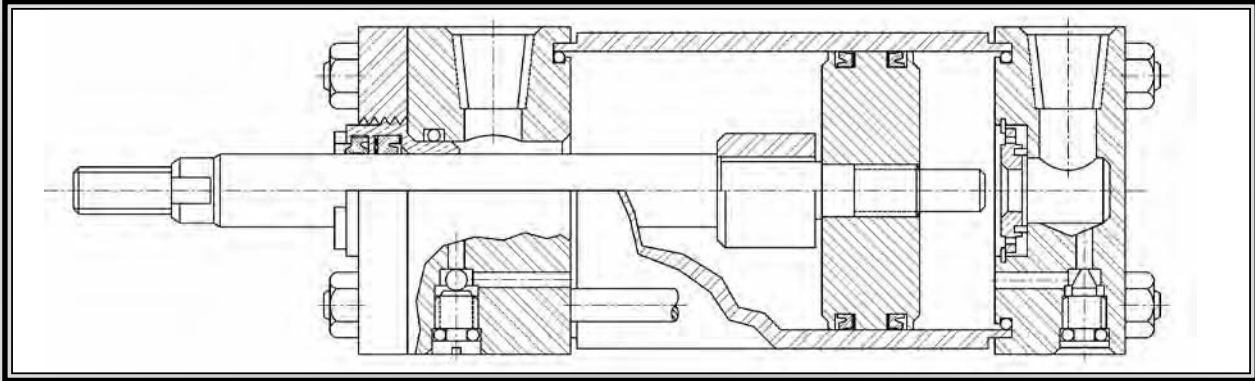
MOBILE  
SEAL KITS

ATLAS

## ATLAS - CYLINDERS

### HYDRAULIC CYLINDER - MEDIUM DUTY

### SERIES - "L"

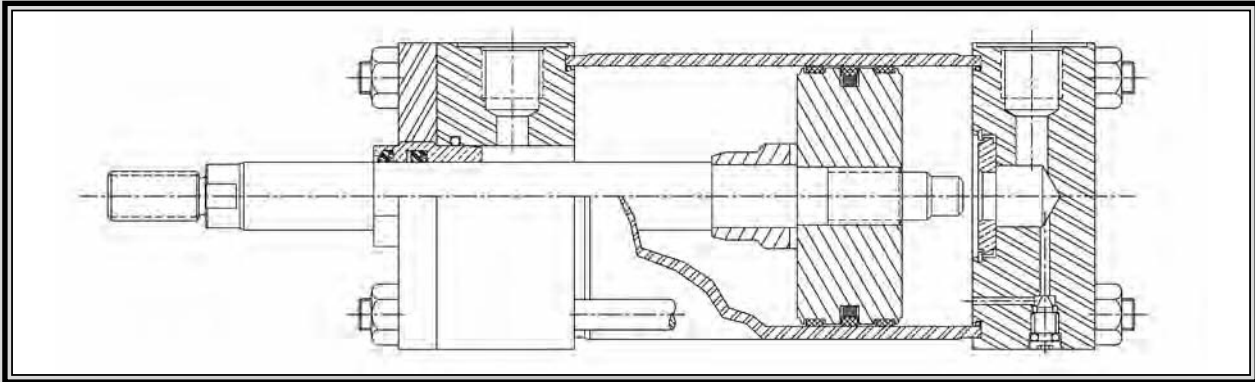


Temperature: **NBR -40/250F [ -40/121C ]**  
**FPM -5/400F [ -21/204C ]**

Pressure: **1000 PSI [ 70 BAR ]**

### HYDRAULIC CYLINDER - HEAVY DUTY

### SERIES - "AHM"



Temperature: **NBR -40/250F [ -40/121C ]**  
**FPM -5/400F [ -21/204C ]**

Pressure: **3000 PSI [ 200 BAR ]**

INDUSTRIAL  
SEAL KITS

MOBILE  
SEAL KITS

ATLAS

All manufacturer's names, part numbers and descriptions are used for reference purposes only. We do not imply that any part shown is the product of these manufacturers.

Tel.: (905) 362-0889  
Fax: (888) 238-1664

**KITS**

**3**

[www.sealsonline.com](http://www.sealsonline.com)

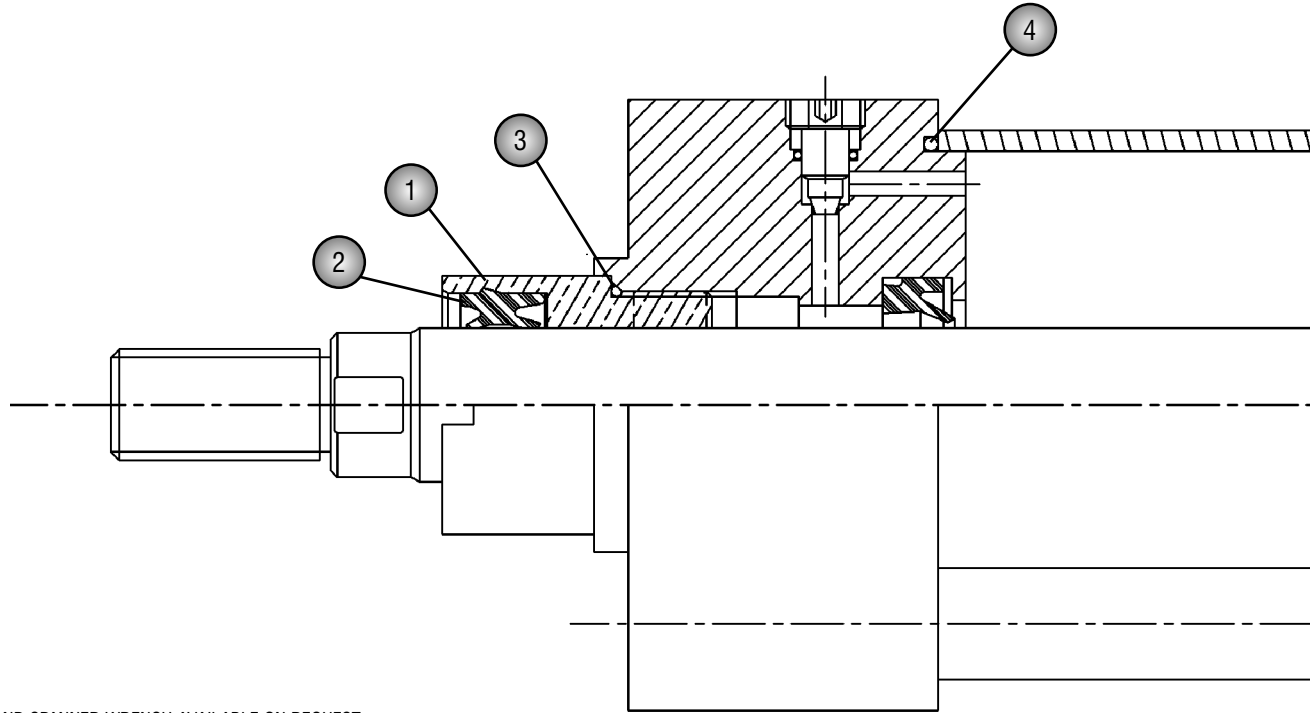


## APM SERIES

### AIR CYLINDER LIGHT DUTY

INDUSTRIAL  
SEAL KITS

MOBILE  
SEAL KITS



\* GLAND WRENCH AND SPANNER WRENCH AVAILABLE ON REQUEST

#### GLAND CARTRIDGE KITS - NBR (1-2-3)\*

Rod	Bore	Ref. Number	\$
12.00		RATL-RGOMP00121	48.86
16.00		RATL-RGOMP00161	55.63
20.00		RATL-RGOMP00201	76.06
25.00		RATL-RGOMP00251	144.64
32.00		RATL-RGOMP00321	150.82
40.00		RATL-RGOMP00401	173.08

#### ROD SEAL KITS - NBR (2-3)\*

Rod	Bore	Ref. Number	\$
12.00		RATL-RKOMP00121	26.61
16.00		RATL-RKOMP00161	28.43
20.00		RATL-RKOMP00201	30.91
25.00		RATL-RKOMP00251	86.54
32.00		RATL-RKOMP00321	94.60
40.00		RATL-RKOMP00401	102.82

#### GLAND CARTRIDGE KITS - FPM (1-2-3)\*

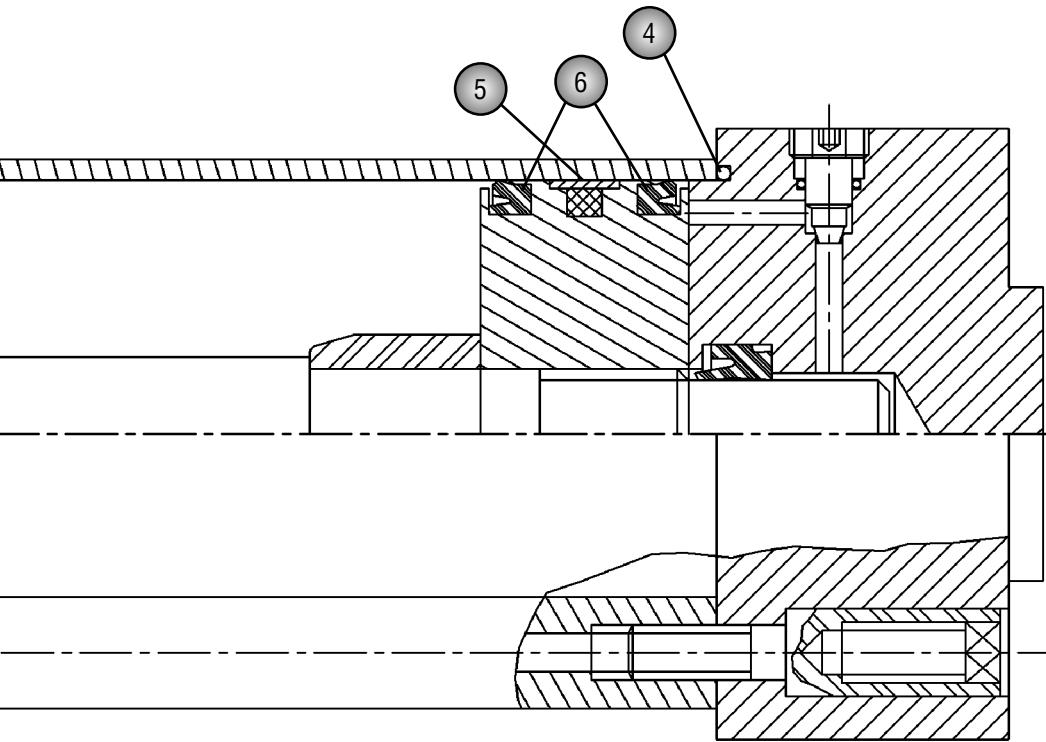
Rod	Bore	Ref. Number	\$
12.00		RATL-RGOMP00125	93.96
16.00		RATL-RGOMP00165	104.49
20.00		RATL-RGOMP00205	126.10
25.00		RATL-RGOMP00255	191.62
32.00		RATL-RGOMP00325	206.72
40.00		RATL-RGOMP00405	246.01

#### ROD SEAL KITS - FPM (2-3)\*

Rod	Bore	Ref. Number	\$
12.00		RATL-RKOMP00125	36.50
16.00		RATL-RKOMP00165	37.73
20.00		RATL-RKOMP00205	47.62
25.00		RATL-RKOMP00255	120.56
32.00		RATL-RKOMP00325	121.15
40.00		RATL-RKOMP00405	154.53

All manufacturer's names, part numbers and descriptions are used for reference purposes only. We do not imply that any part shown is the product of these manufacturers.

ATLAS



### COMPONENTS

- 1-GLAND CARTRIDGE
- 2-ROD SEAL / WIPER
- 3-O-RING
- 4-BODY END - O-RING
- 5-GUIDING ELEMENT
- 6-PISTON SEALS

\*\* MAGNETIC RING AVAILABLE ON REQUEST

### PISTON SEAL KITS - NBR (4-5-6)\*\*

Rod	Bore	Ref. Number	\$
	32.00	RATL-PK032MP001	34.62
	40.00	RATL-PK040MP001	35.26
	50.00	RATL-PK050MP001	36.50
	63.00	RATL-PK063MP001	38.32
	80.00	RATL-PK080MP001	45.74
	100.00	RATL-PK100MP001	60.58
	125.00	RATL-PK125MP001	73.58
	160.00	RATL-PK160MP001	82.83
	200.00	RATL-PK200MP001	100.78

### CYLINDER BODY END KITS - NBR (4)

Rod	Bore	Ref. Number	\$
	32.00	RATL-CB032MP001	7.26
	40.00	RATL-CB040MP001	7.42
	50.00	RATL-CB050MP001	7.58
	63.00	RATL-CB063MP001	8.33
	80.00	RATL-CB080MP001	9.14
	100.00	RATL-CB100MP001	9.94
	125.00	RATL-CB125MP001	11.83
	160.00	RATL-CB160MP001	15.86
	200.00	RATL-CB200MP001	19.62

### PISTON SEAL KITS - FPM (4-5-6)\*\*

Rod	Bore	Ref. Number	\$
	32.00	RATL-PK032MP005	69.23
	40.00	RATL-PK040MP005	82.24
	50.00	RATL-PK050MP005	92.72
	63.00	RATL-PK063MP005	107.55
	80.00	RATL-PK080MP005	140.83
	100.00	RATL-PK100MP005	153.30
	125.00	RATL-PK125MP005	190.38
	160.00	RATL-PK160MP005	226.23
	200.00	RATL-PK200MP005	325.13

### CYLINDER BODY END KITS - FPM (4)

Rod	Bore	Ref. Number	\$
	32.00	RATL-CB032MP005	8.33
	40.00	RATL-CB040MP005	8.65
	50.00	RATL-CB050MP005	9.41
	63.00	RATL-CB063MP005	9.94
	80.00	RATL-CB080MP005	11.56
	100.00	RATL-CB100MP005	12.63
	125.00	RATL-CB125MP005	19.89
	160.00	RATL-CB160MP005	20.96
	200.00	RATL-CB200MP005	29.29

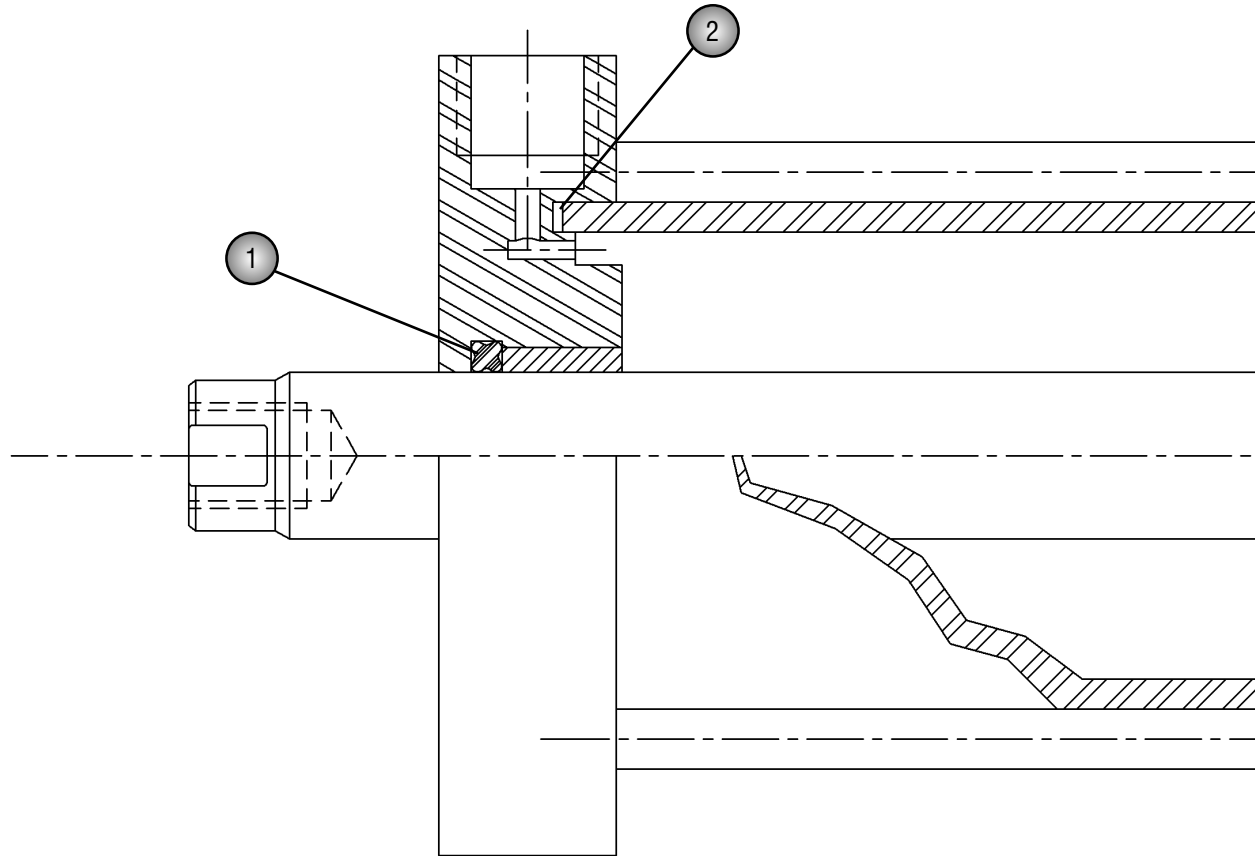
All manufacturer's names, part numbers and descriptions are used for reference purposes only. We do not imply that any part shown is the product of these manufacturers.

## CD/CDM S E R I E S

### AIR CYLINDER LIGHT DUTY

INDUSTRIAL  
SEAL KITS

MOBILE  
SEAL KITS



\* SINGLE ROD SEAL KITS CONTAIN SEALS TO REPAIR SINGLE AND DOUBLE ROD CYLINDERS.  
WHEN REPAIRING A SINGLE ROD CYLINDER, ONE ROD SEAL WILL NOT BE USED.

#### “CD” COMPLETE SEAL KITS - NBR (1-2-3)\*

Rod	Bore	Ref. Number	\$
0.250	0.562	RATL-SKS05CD251	11.29
0.312	0.750	RATL-SKS07CD311	11.77
0.500	1.125	RATL-SKS12CD501	11.99
0.625	1.500	RATL-SKS15CD621	13.22
0.750	2.000	RATL-SKS20CD751	14.84
0.750	2.500	RATL-SKS25CD751	16.07
0.875	3.000	RATL-SKS30CD781	27.84
1.000	4.000	RATL-SKS40CD101	34.02

#### “CD” COMPLETE SEAL KITS - FPM (1-2-3)\*

Rod	Bore	Ref. Number	\$
0.250	0.562	RATL-SKS05CD255	25.37
0.312	0.750	RATL-SKS07CD315	27.84
0.500	1.125	RATL-SKS12CD505	29.67
0.625	1.500	RATL-SKS15CD625	36.50
0.750	2.000	RATL-SKS20CD755	38.32
0.750	2.500	RATL-SKS25CD755	50.69
0.875	3.000	RATL-SKS30CD785	93.36
1.000	4.000	RATL-SKS40CD105	109.44

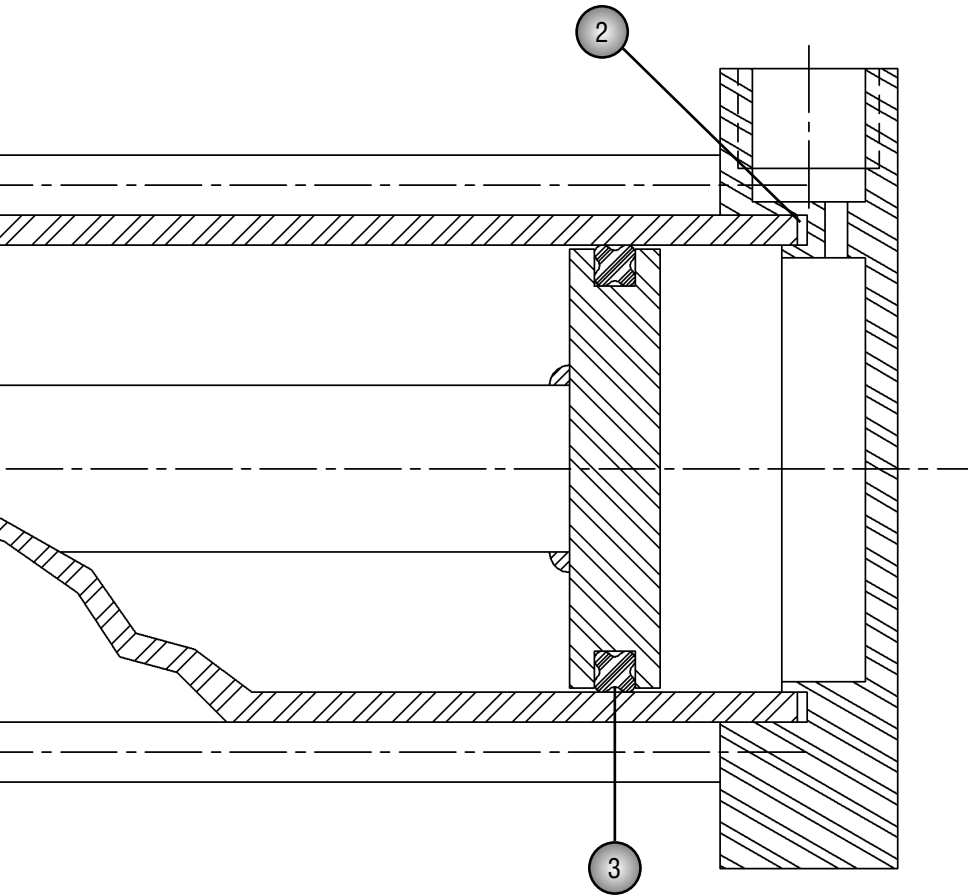
All manufacturer's names, part numbers and descriptions are used for reference purposes only. We do not imply that any part shown is the product of these manufacturers.

ATLAS

## CD/CDM SERIES

### COMPONENTS

- 1-ROD SEAL
- 2-TUBE END SEAL
- 3-PISTON SEAL



INDUSTRIAL  
SEAL KITS

MOBILE  
SEAL KITS

“CDM” COMPLETE SEAL KITS - NBR (1-2-3)\*

Rod	Bore	Ref. Number	\$
0.250	0.562	RATL-KS05CDL251	34.62
0.312	0.750	RATL-KS07CDL311	35.26
0.500	1.125	RATL-KS12CDL501	38.97
0.625	1.500	RATL-KS15CDL621	40.80
0.750	2.000	RATL-KS20CDL751	43.27
0.750	2.500	RATL-KS25CDL751	35.26
0.875	3.000	RATL-KS30CDL781	51.33
1.000	4.000	RATL-KS40CDL101	56.28

“CDM” COMPLETE SEAL KITS - FPM (1-2-3)\*

Rod	Bore	Ref. Number	\$
0.250	0.562	RATL-KS05CDL255	72.35
0.312	0.750	RATL-KS07CDL315	74.82
0.500	1.125	RATL-KS12CDL505	79.12
0.625	1.500	RATL-KS15CDL625	100.78
0.750	2.000	RATL-KS20CDL755	126.10
0.750	2.500	RATL-KS25CDL755	140.93
0.875	3.000	RATL-KS30CDL785	222.53
1.000	4.000	RATL-KS40CDL105	248.49

All manufacturer's names, part numbers and descriptions are used for reference purposes only. We do not imply that any part shown is the product of these manufacturers.

Tel.: (780) 414-1871  
Fax: (780) 487-5419

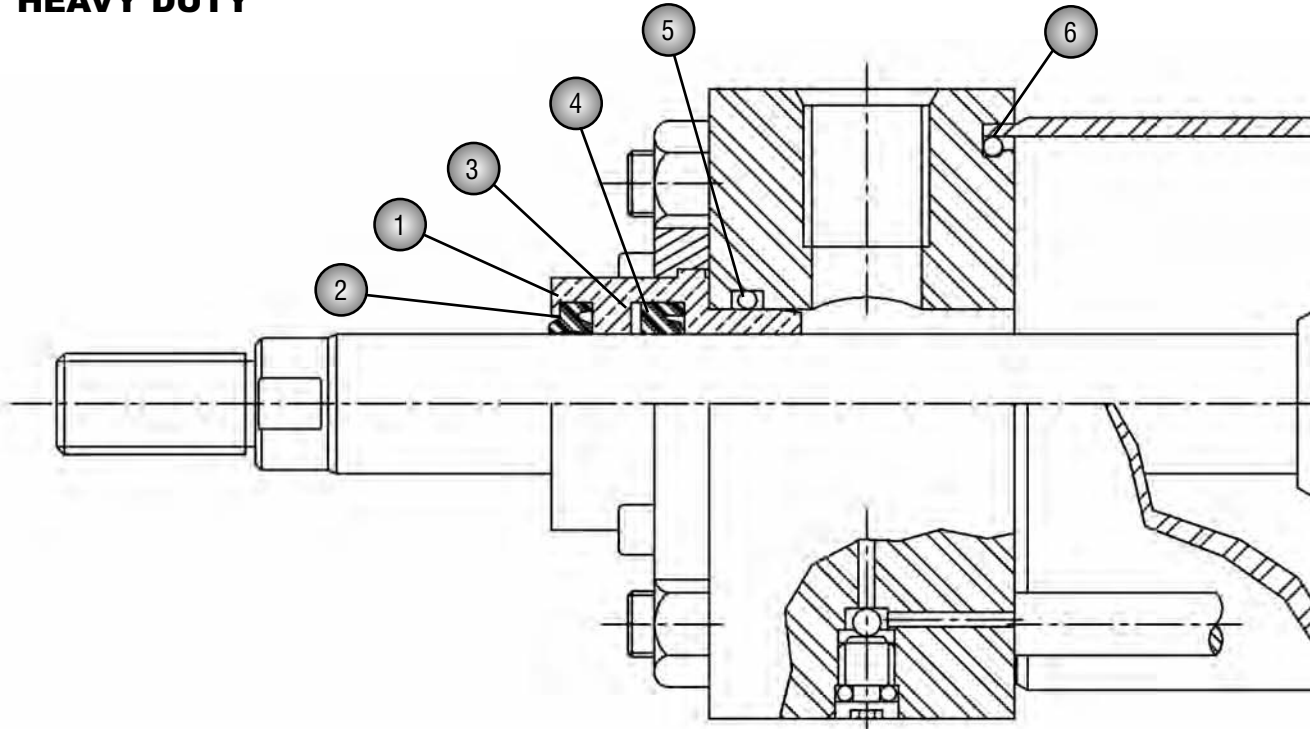
**KITS**

**7**

[www.sealsonline.com](http://www.sealsonline.com)

**ATLAS**

## AIR CYLINDER HEAVY DUTY SERIES



### GLAND CARTRIDGE KITS - NBR (1-2-3-4-5)

Rod	Bore	Ref. Number	\$
0.625		RATL-5A06R000S	0/R
1.000		RATL-5A10R000S	0/R
1.375		RATL-5A13R000S	0/R
1.750		RATL-5A17R000S	0/R
2.000		RATL-5A20R000S	0/R
2.500		RATL-5A25R000S	0/R
3.000		RATL-5A30R000S	0/R
3.500		RATL-5A35R000S	0/R
4.000		RATL-5A40R000S	0/R
4.500		RATL-5A45R000S	0/R
5.000		RATL-5A50R000S	0/R
5.500		RATL-5A55R000S	0/R

### ROD SEAL KITS - NBR (2-3-4-5)

Rod	Bore	Ref. Number	\$
0.625		RATL-5A06S000S	10.48
1.000		RATL-5A10S000S	11.02
1.375		RATL-5A13S000S	11.83
1.750		RATL-5A17S000S	15.05
2.000		RATL-5A20S000S	17.20
2.500		RATL-5A25S000S	22.58
3.000		RATL-5A30S000S	40.58
3.500		RATL-5A35S000S	60.28
4.000		RATL-5A40S000S	71.76
4.500		RATL-5A45S000S	81.16
5.000		RATL-5A50S000S	100.51
5.500		RATL-5A55S000S	106.96

### GLAND CARTRIDGE KITS - FPM (1-2-3-4-5)

Rod	Bore	Ref. Number	\$
0.625		RATL-5A06R000V	0/R
1.000		RATL-5A10R000V	0/R
1.375		RATL-5A13R000V	0/R
1.750		RATL-5A17R000V	0/R
2.000		RATL-5A20R000V	0/R
2.500		RATL-5A25R000V	0/R
3.000		RATL-5A30R000V	0/R
3.500		RATL-5A35R000V	0/R
4.000		RATL-5A40R000V	0/R
4.500		RATL-5A45R000V	0/R
5.000		RATL-5A50R000V	0/R
5.500		RATL-5A55R000V	0/R

### ROD SEAL KITS - FPM (2-3-4-5)

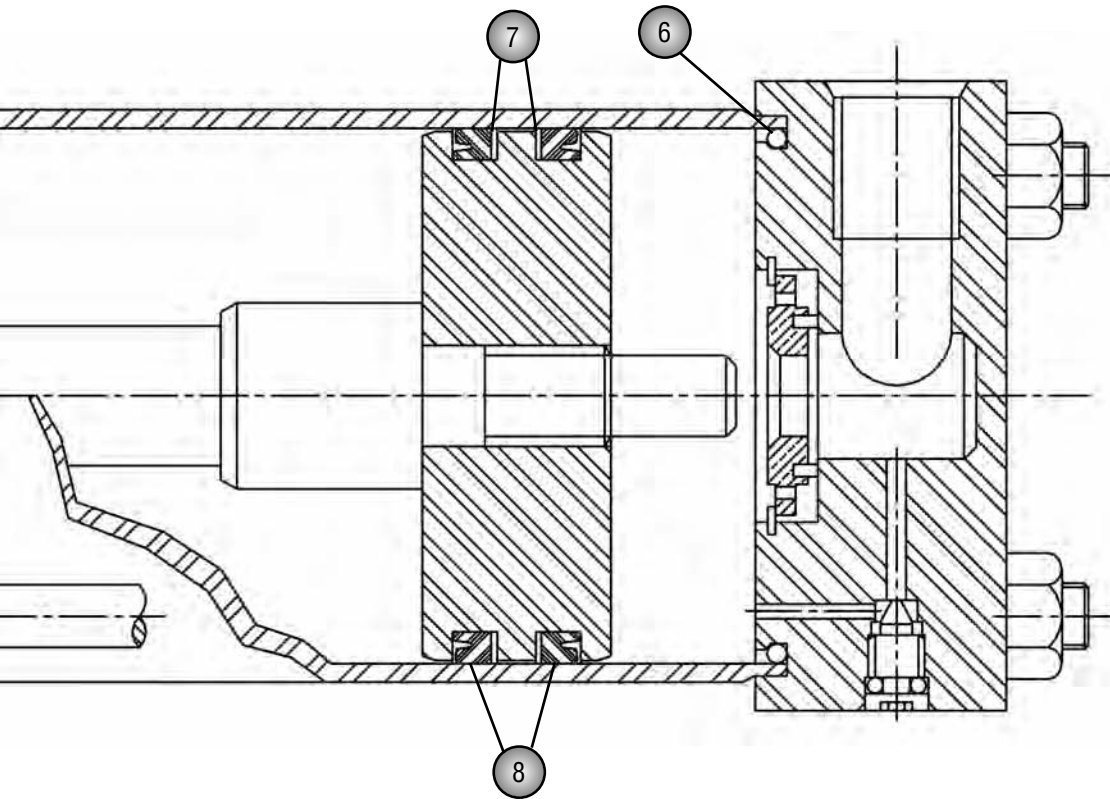
Rod	Bore	Ref. Number	\$
0.625		RATL-5A06S000V	37.52
1.000		RATL-5A10S000V	37.63
1.375		RATL-5A13S000V	39.13
1.750		RATL-5A17S000V	41.44
2.000		RATL-5A20S000V	44.72
2.500		RATL-5A25S000V	53.11
3.000		RATL-5A30S000V	62.57
3.500		RATL-5A35S000V	81.49
4.000		RATL-5A40S000V	118.95
4.500		RATL-5A45S000V	146.31
5.000		RATL-5A50S000V	188.88
5.500		RATL-5A55S000V	235.64

All manufacturer's names, part numbers and descriptions are used for reference purposes only. We do not imply that any part shown is the product of these manufacturers.

INDUSTRIAL  
SEAL KITS

MOBILE  
SEAL KITS

ATLAS



### COMPONENTS

- 1-GLAND CARTRIDGE
- 2-ROD WIPER
- 3-BACK-UP RING
- 4-ROD SEAL
- 5-O-RING
- 6-BODY END - O-RING
- 7-BACK-UP RING
- 8-PISTON SEALS

### PISTON LIPSEAL KITS - NBR (6-7-8)

Rod	Bore	Ref. Number	\$
	1.500	RATL-5B00S015S	9.46
	2.000	RATL-5B00S020S	11.13
	2.500	RATL-5B00S025S	12.85
	3.250	RATL-5B00S032S	15.96
	4.000	RATL-5B00S040S	20.96
	5.000	RATL-5B00S050S	24.46
	6.000	RATL-5B00S060S	31.82
	7.000	RATL-5B00S070S	79.23
	8.000	RATL-5B00S080S	92.44
	10.000	RATL-5B00S100S	136.63
	12.000	RATL-5B00S120S	185.60
	14.000	RATL-5B00S140S	287.08

### CYLINDER BODY END KITS - NBR (6)

Rod	Bore	Ref. Number	\$
	1.500	RATL-5E00S015S	5.91
	2.000	RATL-5E00S020S	6.24
	2.500	RATL-5E00S025S	6.56
	3.250	RATL-5E00S032S	6.88
	4.000	RATL-5E00S040S	7.15
	5.000	RATL-5E00S050S	8.28
	6.000	RATL-5E00S060S	9.84
	7.000	RATL-5E00S070S	10.59
	8.000	RATL-5E00S080S	11.99
	10.000	RATL-5E00S100S	14.62
	12.000	RATL-5E00S120S	16.45
	14.000	RATL-5E00S140S	18.81

### PISTON LIPSEAL KITS - FPM (6-7-8)

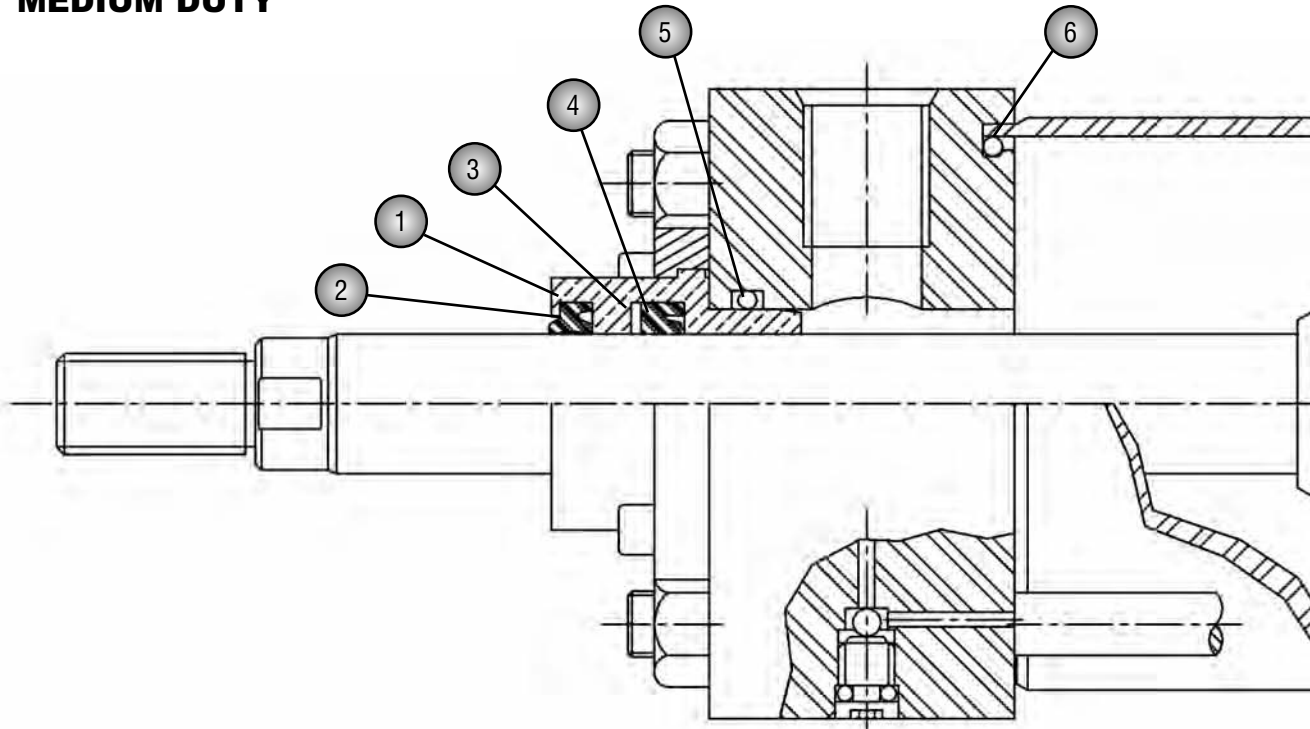
Rod	Bore	Ref. Number	\$
	1.500	RATL-5B00S015V	42.89
	2.000	RATL-5B00S020V	48.97
	2.500	RATL-5B00S025V	68.69
	3.250	RATL-5B00S032V	80.14
	4.000	RATL-5B00S040V	86.38
	5.000	RATL-5B00S050V	109.60
	6.000	RATL-5B00S060V	145.66
	7.000	RATL-5B00S070V	230.91
	8.000	RATL-5B00S080V	315.73
	10.000	RATL-5B00S100V	400.76
	12.000	RATL-5B00S120V	615.60
	14.000	RATL-5B00S140V	1005.77

### CYLINDER BODY END KITS - FPM (6)

Rod	Bore	Ref. Number	\$
	1.500	RATL-5E00S015V	9.35
	2.000	RATL-5E00S020V	13.87
	2.500	RATL-5E00S025V	17.42
	3.250	RATL-5E00S032V	21.02
	4.000	RATL-5E00S040V	26.28
	5.000	RATL-5E00S050V	37.95
	6.000	RATL-5E00S060V	39.67
	7.000	RATL-5E00S070V	56.92
	8.000	RATL-5E00S080V	57.94
	10.000	RATL-5E00S100V	64.18
	12.000	RATL-5E00S120V	72.35
	14.000	RATL-5E00S140V	81.70

All manufacturer's names, part numbers and descriptions are used for reference purposes only. We do not imply that any part shown is the product of these manufacturers.

## L SERIES HYDRAULIC CYLINDER MEDIUM DUTY



### GLAND CARTRIDGE KITS - NBR (1-2-3-4-5)

Rod	Bore	Ref. Number	\$
0.625		RATL-4A06R000S	0/R
1.000		RATL-4A10R000S	0/R
1.375		RATL-4A13R000S	0/R
1.750		RATL-4A17R000S	0/R
2.000		RATL-4A20R000S	0/R
2.500		RATL-4A25R000S	0/R
3.000		RATL-4A30R000S	0/R
3.500		RATL-4A35R000S	0/R
4.000		RATL-4A40R000S	0/R
4.500		RATL-4A45R000S	0/R
5.000		RATL-4A50R000S	0/R
5.500		RATL-4A55R000S	0/R

### ROD SEAL KITS - NBR (2-3-4-5)

Rod	Bore	Ref. Number	\$
0.625		RATL-4A06S000S	10.27
1.000		RATL-4A10S000S	10.28
1.375		RATL-4A13S000S	10.54
1.750		RATL-4A17S000S	13.28
2.000		RATL-4A20S000S	14.84
2.500		RATL-4A25S000S	20.18
3.000		RATL-4A30S000S	28.82
3.500		RATL-4A35S000S	31.55
4.000		RATL-4A40S000S	33.85
4.500		RATL-4A45S000S	41.35
5.000		RATL-4A50S000S	48.20
5.500		RATL-4A55S000S	106.96

### GLAND CARTRIDGE KITS - FPM (1-2-3-4-5)

Rod	Bore	Ref. Number	\$
0.625		RATL-4A06R000V	0/R
1.000		RATL-4A10R000V	0/R
1.375		RATL-4A13R000V	0/R
1.750		RATL-4A17R000V	0/R
2.000		RATL-4A20R000V	0/R
2.500		RATL-4A25R000V	0/R
3.000		RATL-4A30R000V	0/R
3.500		RATL-4A35R000V	0/R
4.000		RATL-4A40R000V	0/R
4.500		RATL-4A45R000V	0/R
5.000		RATL-4A50R000V	0/R
5.500		RATL-4A55R000V	0/R

### ROD SEAL KITS - FPM (2-3-4-5)

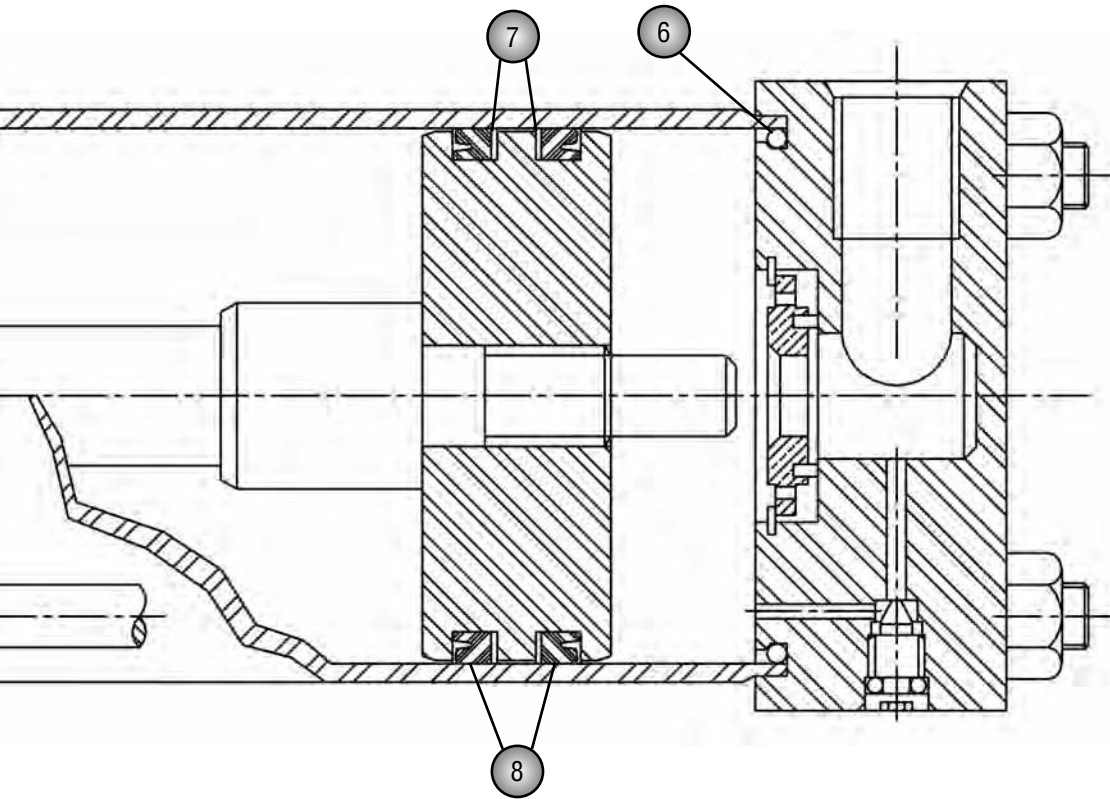
Rod	Bore	Ref. Number	\$
0.625		RATL-4A06S000V	28.53
1.000		RATL-4A10S000V	29.40
1.375		RATL-4A13S000V	30.93
1.750		RATL-4A17S000V	34.66
2.000		RATL-4A20S000V	36.11
2.500		RATL-4A25S000V	45.64
3.000		RATL-4A30S000V	53.58
3.500		RATL-4A35S000V	66.64
4.000		RATL-4A40S000V	101.98
4.500		RATL-4A45S000V	115.00
5.000		RATL-4A50S000V	154.67
5.500		RATL-4A55S000V	235.64

All manufacturer's names, part numbers and descriptions are used for reference purposes only. We do not imply that any part shown is the product of these manufacturers.

INDUSTRIAL SEAL KITS

MOBILE SEAL KITS

ATLAS



#### COMPONENTS

- 1-GLAND CARTRIDGE
- 2-ROD WIPER
- 3-BACK-UP RING
- 4-ROD SEAL
- 5-O-RING
- 6-BODY END - O-RING
- 7-BACK-UP RING
- 8-PISTON SEALS

#### PISTON LIPSEAL KITS - NBR (6-7-8)

Rod	Bore	Ref. Number	\$
	1.500	RATL-4B00S015S	8.27
	2.000	RATL-4B00S020S	9.87
	2.500	RATL-4B00S025S	11.29
	3.250	RATL-4B00S032S	13.70
	4.000	RATL-4B00S040S	17.48
	5.000	RATL-4B00S050S	21.14
	6.000	RATL-4B00S060S	27.47
	7.000	RATL-4B00S070S	76.59
	8.000	RATL-4B00S080S	86.90
	10.000	RATL-4B00S100S	123.72
	12.000	RATL-4B00S120S	167.40
	14.000	RATL-4B00S140S	259.18

#### CYLINDER BODY END KITS - NBR (6)

Rod	Bore	Ref. Number	\$
	1.500	RATL-4E00S015S	4.80
	2.000	RATL-4E00S020S	5.08
	2.500	RATL-4E00S025S	5.69
	3.250	RATL-4E00S032S	5.75
	4.000	RATL-4E00S040S	6.07
	5.000	RATL-4E00S050S	7.06
	6.000	RATL-4E00S060S	8.74
	7.000	RATL-4E00S070S	8.87
	8.000	RATL-4E00S080S	10.80
	10.000	RATL-4E00S100S	12.51
	12.000	RATL-4E00S120S	14.44
	14.000	RATL-4E00S140S	73.07

#### PISTON LIPSEAL KITS - FPM (6-7-8)

Rod	Bore	Ref. Number	\$
	1.500	RATL-4B00S015V	37.99
	2.000	RATL-4B00S020V	43.43
	2.500	RATL-4B00S025V	60.20
	3.250	RATL-4B00S032V	64.64
	4.000	RATL-4B00S040V	76.64
	5.000	RATL-4B00S050V	95.04
	6.000	RATL-4B00S060V	130.71
	7.000	RATL-4B00S070V	230.91
	8.000	RATL-4B00S080V	284.96
	10.000	RATL-4B00S100V	400.76
	12.000	RATL-4B00S120V	615.60
	14.000	RATL-4B00S140V	903.57

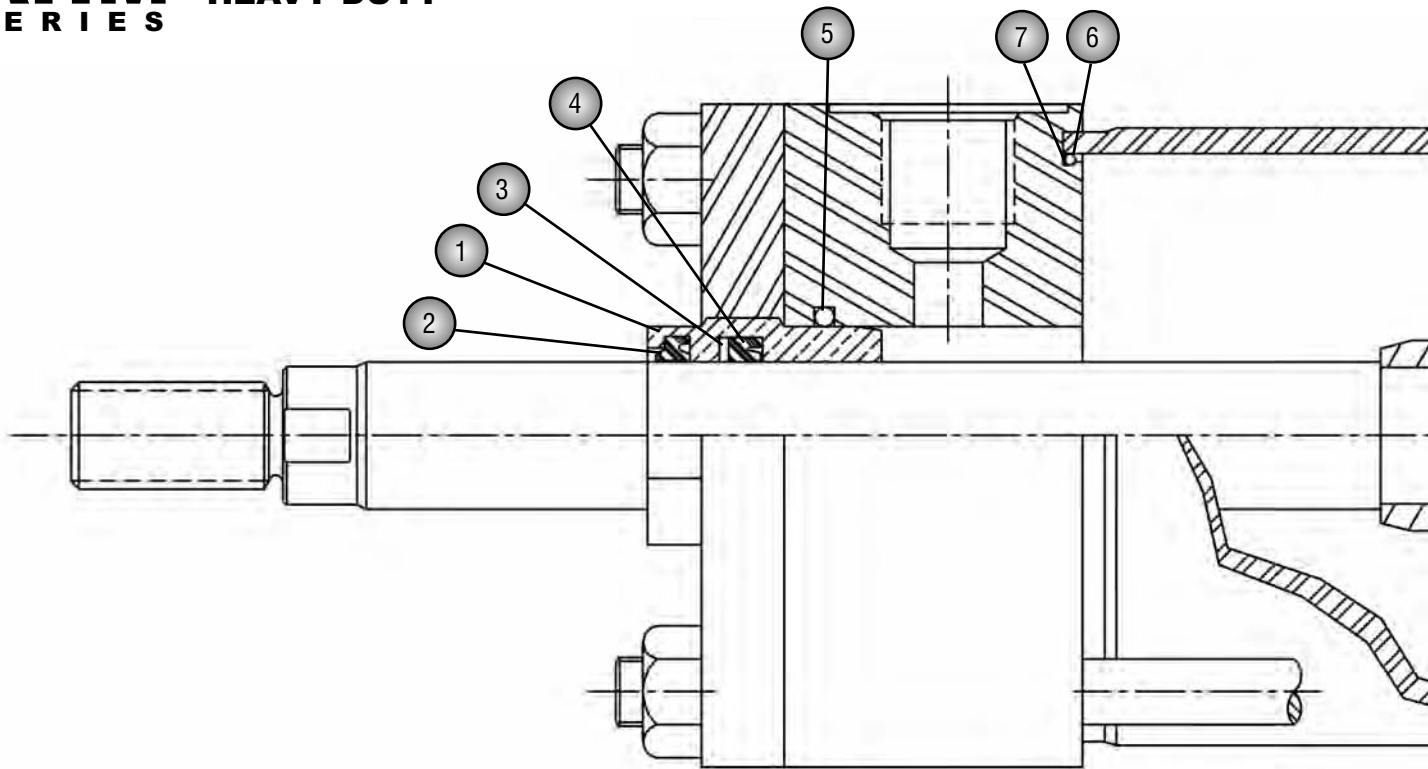
#### CYLINDER BODY END KITS - FPM (6)

Rod	Bore	Ref. Number	\$
	1.500	RATL-4E00S015V	6.90
	2.000	RATL-4E00S020V	11.72
	2.500	RATL-4E00S025V	15.36
	3.250	RATL-4E00S032V	17.92
	4.000	RATL-4E00S040V	23.09
	5.000	RATL-4E00S050V	32.51
	6.000	RATL-4E00S060V	34.28
	7.000	RATL-4E00S070V	48.45
	8.000	RATL-4E00S080V	48.60
	10.000	RATL-4E00S100V	54.12
	12.000	RATL-4E00S120V	65.28
	14.000	RATL-4E00S140V	81.70

All manufacturer's names, part numbers and descriptions are used for reference purposes only. We do not imply that any part shown is the product of these manufacturers.



## AHM SERIES HYDRAULIC CYLINDER HEAVY DUTY



### GLAND CARTRIDGE KITS - NBR (1-2-3-4-5)

Rod	Bore	Ref. Number	\$
12.00		RATL-B732/944	166.89
14.00		RATL-B732/945	167.70
18.00		RATL-B732/946	168.13
22.00		RATL-B732/947	177.75
28.00		RATL-B732/948	189.15
36.00		RATL-B732/949	222.53
45.00		RATL-B732/950	278.16
56.00		RATL-B732/951	315.24
70.00		RATL-B732/952	349.86
90.00		RATL-B732/953	412.91
110.00		RATL-B732/954	856.72
140.00		RATL-B732/955	929.66

### ROD SEAL KITS - NBR (2-3-4-5)

Rod	Bore	Ref. Number	\$
12.00		RATL-B732/966	65.52
14.00		RATL-B732/967	67.67
18.00		RATL-B732/968	68.32
22.00		RATL-B732/969	70.47
28.00		RATL-B732/970	72.29
36.00		RATL-B732/971	77.24
45.00		RATL-B732/972	81.00
56.00		RATL-B732/973	82.83
70.00		RATL-B732/974	101.37
90.00		RATL-B732/975	135.99
110.00		RATL-B732/976	154.53
140.00		RATL-B732/977	186.67

### GLAND CARTRIDGE KITS - FPM (1-2-3-4-5)

Rod	Bore	Ref. Number	\$
12.00		RATL-B732/1100	176.78
14.00		RATL-B732/1101	181.73
18.00		RATL-B732/1102	187.91
22.00		RATL-B732/1103	191.62
28.00		RATL-B732/1104	284.34
36.00		RATL-B732/1105	317.72
45.00		RATL-B732/1106	451.23
56.00		RATL-B732/1107	548.90
70.00		RATL-B732/1108	551.37
90.00		RATL-B732/1109	571.15
110.00		RATL-B732/1110	1037.21
140.00		RATL-B732/1111	1143.53

### ROD SEAL KITS - FPM (2-3-4-5)

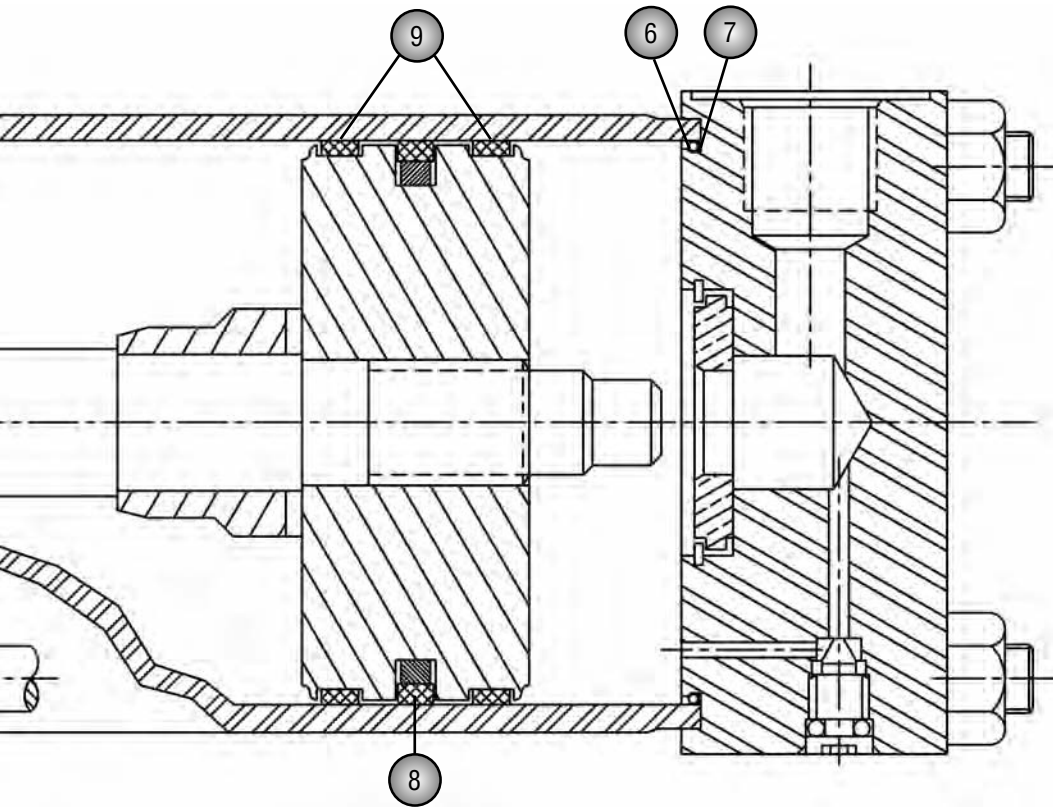
Rod	Bore	Ref. Number	\$
12.00		RATL-B732/1112	112.50
14.00		RATL-B732/1113	117.44
18.00		RATL-B732/1114	134.75
22.00		RATL-B732/1115	142.17
28.00		RATL-B732/1116	202.75
36.00		RATL-B732/1117	226.23
45.00		RATL-B732/1118	311.54
56.00		RATL-B732/1119	322.66
70.00		RATL-B732/1120	333.79
90.00		RATL-B732/1121	370.88
110.00		RATL-B732/1122	438.87
140.00		RATL-B732/1123	525.41

All manufacturer's names, part numbers and descriptions are used for reference purposes only. We do not imply that any part shown is the product of these manufacturers.

INDUSTRIAL SEAL KITS

MOBILE SEAL KITS

ATLAS



### COMPONENTS

- 1-GLAND CARTRIDGE
- 2-ROD WIPER
- 3-BACK-UP RING
- 4-ROD SEAL
- 5-O-RING
- 6-BODY END - O-RING
- 7-BACK-UP RING\*
- 8-2 PCS.PISTON SEAL
- 9-GUIDING ELEMENT

\*NO B.UP RING FOR 25-50 MM. BORE

### HI-LOAD PISTON SEAL KITS - NBR (6-7-8-9)\*

Rod	Bore	Ref. Number	\$
	25.00	RATL-B732/978	45.74
	32.00	RATL-B732/979	53.16
	40.00	RATL-B732/980	58.70
	50.00	RATL-B732/981	77.29
	63.00	RATL-B732/982	97.02
	80.00	RATL-B732/983	131.04
	100.00	RATL-B732/984	190.38
	125.00	RATL-B732/985	244.78
	160.00	RATL-B732/986	258.38
	200.00	RATL-B732/987	311.54

### CYLINDER BODY END KITS - NBR (6-7)\*

Rod	Bore	Ref. Number	\$
	25.00	RATL-B732/956	12.36
	32.00	RATL-B732/957	12.63
	40.00	RATL-B732/958	12.90
	50.00	RATL-B732/959	14.24
	63.00	RATL-B732/960	15.59
	80.00	RATL-B732/961	21.77
	100.00	RATL-B732/962	29.56
	125.00	RATL-B732/963	31.44
	160.00	RATL-B732/964	34.40
	200.00	RATL-B732/965	36.28

### HI-LOAD PISTON SEAL KITS - FPM (6-7-8-9)\*

Rod	Bore	Ref. Number	\$
	25.00	RATL-B732/1134	86.54
	32.00	RATL-B732/1135	98.90
	40.00	RATL-B732/1136	291.76
	50.00	RATL-B732/1137	382.00
	63.00	RATL-B732/1138	483.37
	80.00	RATL-B732/1139	641.61
	100.00	RATL-B732/1140	731.86
	125.00	RATL-B732/1141	824.58
	160.00	RATL-B732/1142	846.50
	200.00	RATL-B732/1143	1050.81

### CYLINDER BODY END KITS - FPM (6-7)\*

Rod	Bore	Ref. Number	\$
	25.00	RATL-B732/1124	23.65
	32.00	RATL-B732/1125	24.99
	40.00	RATL-B732/1126	25.80
	50.00	RATL-B732/1127	27.14
	63.00	RATL-B732/1128	30.10
	80.00	RATL-B732/1129	35.48
	100.00	RATL-B732/1130	50.53
	125.00	RATL-B732/1131	55.90
	160.00	RATL-B732/1132	61.28
	200.00	RATL-B732/1133	66.65

All manufacturer's names, part numbers and descriptions are used for reference purposes only. We do not imply that any part shown is the product of these manufacturers.

INDUSTRIAL  
SEAL KITS

MOBILE  
SEAL KITS

ATLAS



## HYDRO-LINE - CYLINDERS

### PRODUCT RANGE

Cylinder Type	Duty	Series	Pressure rating	Specification
AIR CYLINDERS	LIGHT DUTY	A5 AN5 R5	250 PSI/17 BAR 250 PSI/17 BAR 250 PSI/17 BAR	NFPA INTERCHANGEABLE NFPA INTERCHANGEABLE NFPA INTERCHANGEABLE
HYDRAULIC CYLINDERS	LIGHT DUTY MEDIUM DUTY HEAVY DUDY	HA5 HR5 N5	400 PSI/27 BAR 1500 PSI/100 BAR 3000 PSI/200 BAR	NFPA INTERCHANGEABLE NFPA INTERCHANGEABLE ISO - METRIC

**INDUSTRIAL  
SEAL KITS**

**MOBILE  
SEAL KITS**

### INDEX

Cylinder Type	Duty	Series	Page
AIR CYLINDERS	LIGHT DUTY	A5	<b>KITS 18</b>
		AN5	<b>KITS 20</b>
		R5	<b>KITS 22</b>
HYDRAULIC CYLINDERS	LIGHT DUTY	HA5	<b>KITS 24</b>
	MEDIUM DUTY	HR5	<b>KITS 26</b>
	HEAVY	N5	<b>KITS 28</b>

**HYDRO-LINE**

All manufacturer's names, part numbers and descriptions are used for reference purposes only. We do not imply that any part shown is the product of these manufacturers.

**Tel.: (514) 334-2220**  
**Fax: (514) 333-8329**

**KITS**

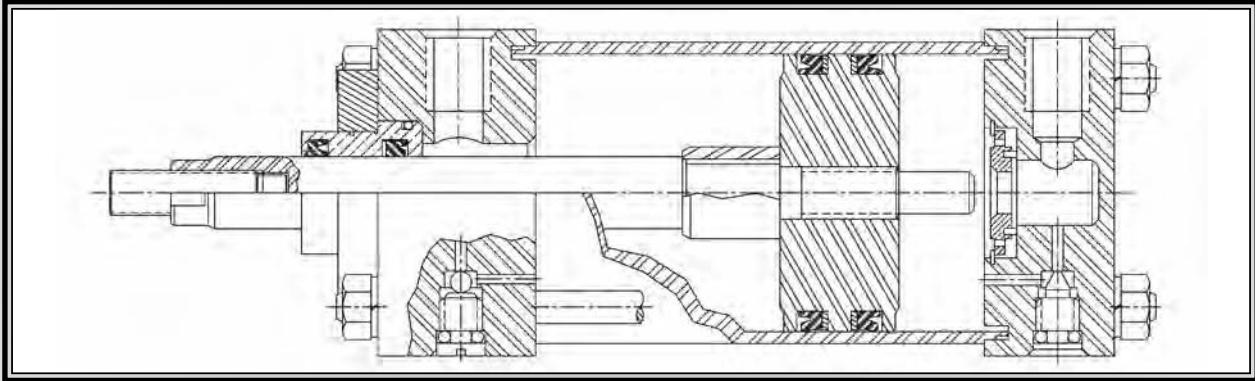
**15**

**www.sealsonline.com**

## HYDRO-LINE - CYLINDERS

### AIR CYLINDER

### SERIES - "A5"

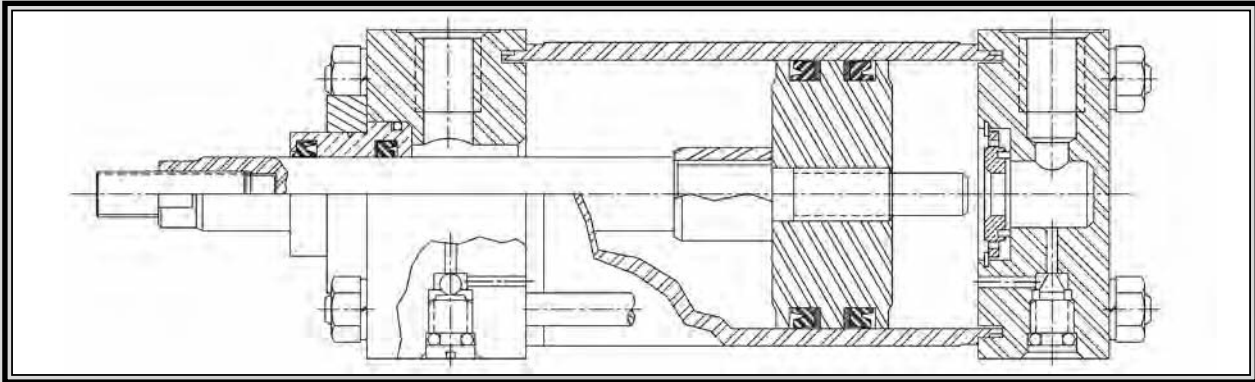


Temperature: **NBR -40/250F [ -40/121C ]**  
**FPM -5/400F [ -21/204C ]**

Pressure: **250 PSI [ 17 BAR ]**

### AIR CYLINDER

### SERIES - "AN5"

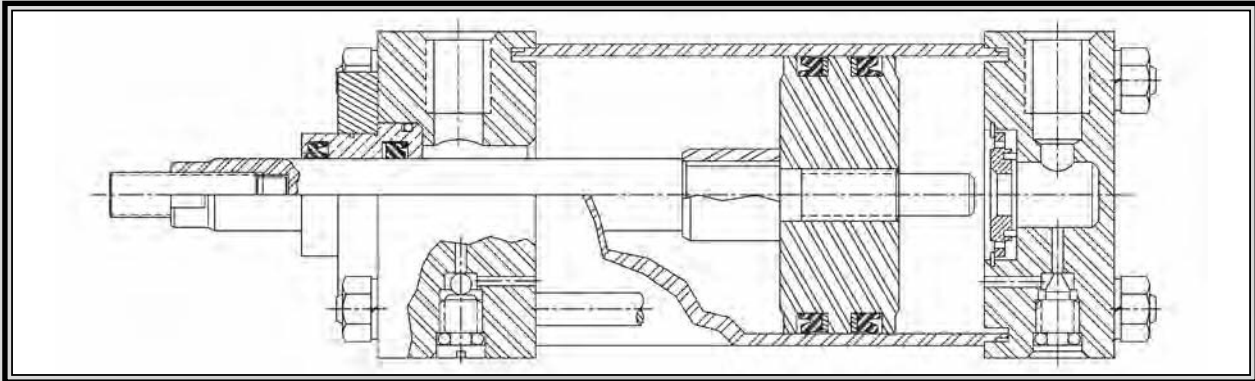


Temperature: **NBR -40/250F [ -40/121C ]**  
**FPM -5/400F [ -21/204C ]**

Pressure: **250 PSI [ 17 BAR ]**

### AIR CYLINDER

### SERIES - "R5"



Temperature: **NBR -40/250F [ -40/121C ]**  
**FPM -5/400F [ -21/204C ]**

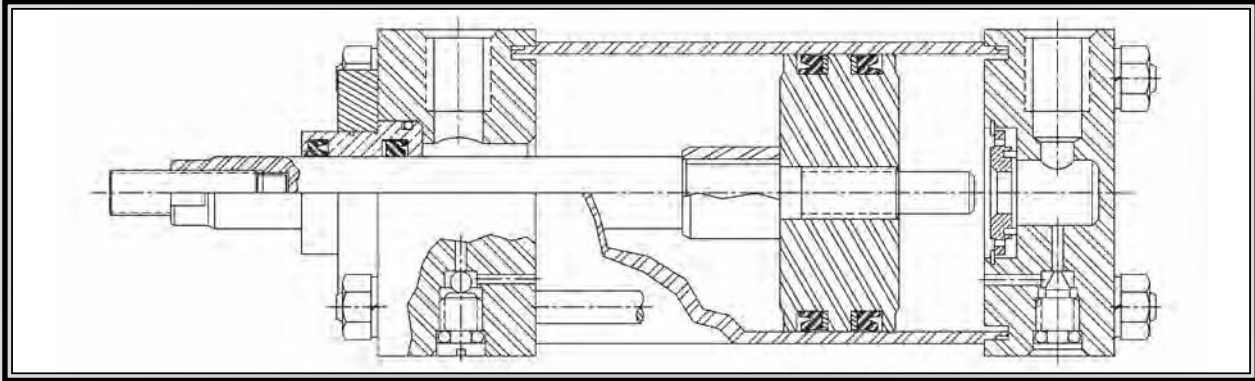
Pressure: **250 PSI [ 17 BAR ]**

All manufacturer's names, part numbers and descriptions are used for reference purposes only. We do not imply that any part shown is the product of these manufacturers.

## HYDRO-LINE - CYLINDERS

### HYDRAULIC CYLINDER

### SERIES - "HA5"

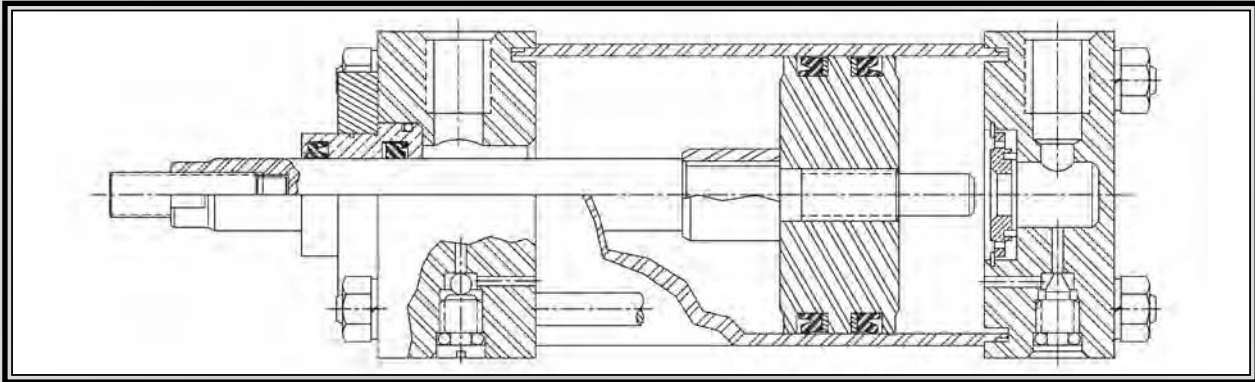


Temperature: **NBR -40/250F [ -40/121C ]**  
**FPM -5/400F [ -21/204C ]**

Pressure: **400 PSI [ 27 BAR ]**

### HYDRAULIC CYLINDER

### SERIES - "HR5"

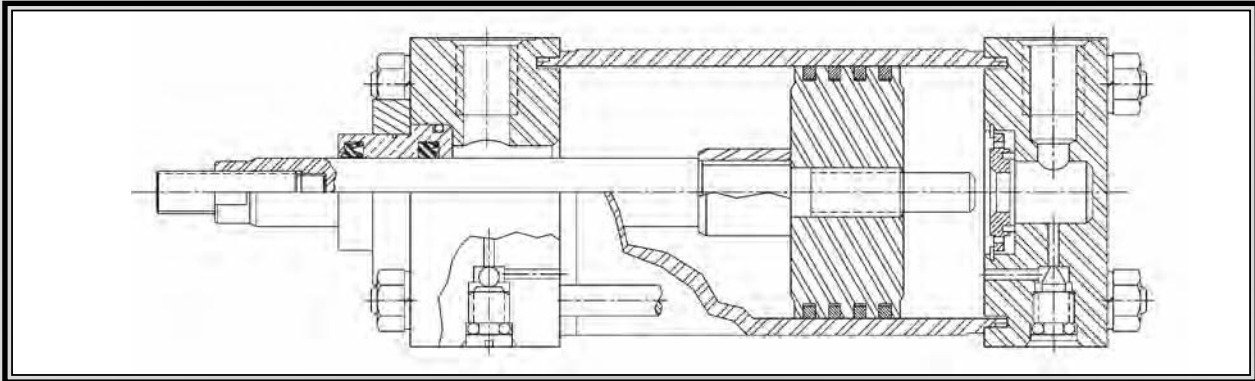


Temperature: **NBR -40/250F [ -40/121C ]**  
**FPM -5/400F [ -21/204C ]**

Pressure: **1500 PSI [ 100 BAR ]**

### HYDRAULIC CYLINDER

### SERIES - "N5"



Temperature: **NBR -40/250F [ -40/121C ]**  
**FPM -5/400F [ -21/204C ]**

Pressure: **3000 PSI [ 200 BAR ]**

INDUSTRIAL  
SEAL KITS

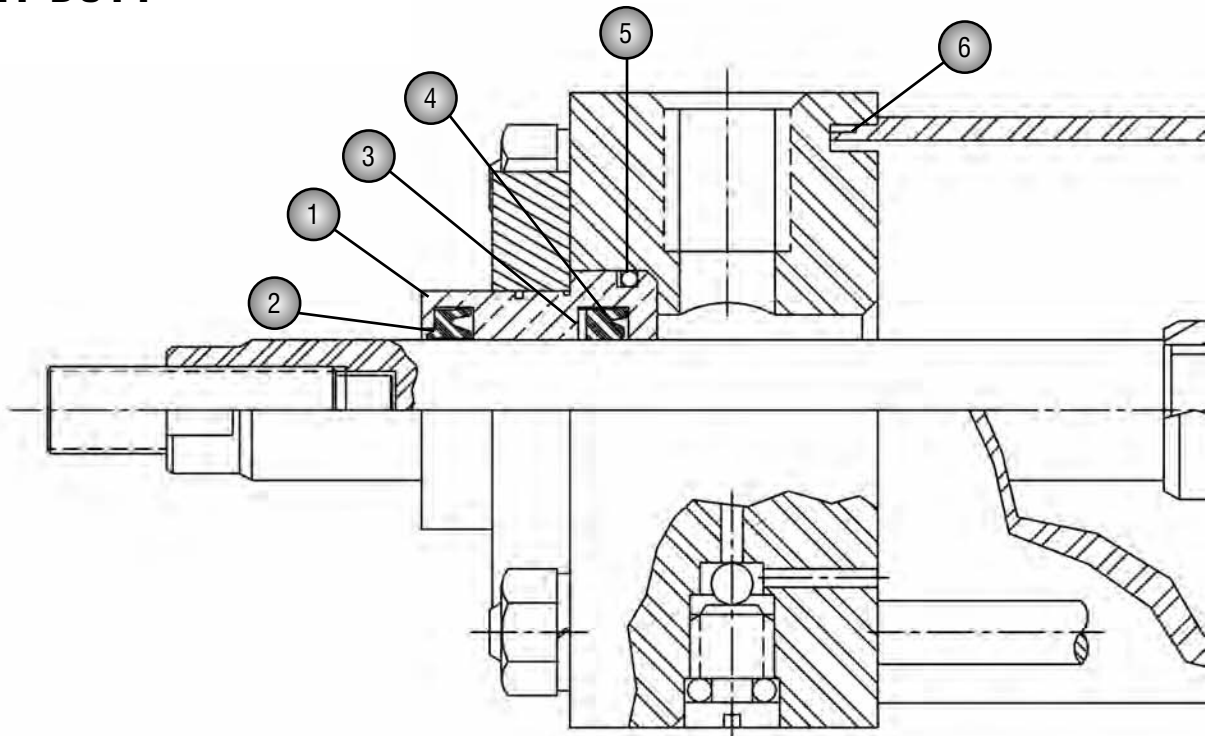
MOBILE  
SEAL KITS

HYDRO-LINE

All manufacturer's names, part numbers and descriptions are used for reference purposes only. We do not imply that any part shown is the product of these manufacturers.

## A5 SERIES

## AIR CYLINDER LIGHT DUTY



### GLAND CARTRIDGE KITS - NBR (1-2-3-4-5)

Rod	Bore	Ref. Number	\$
0.625		RHYD-N5/665/05	123.36
1.000		RHYD-N5/665/08	153.13
1.375		RHYD-N5/665/11	163.83

### ROD SEAL KITS - NBR (2-3-4-5)

Rod	Bore	Ref. Number	\$
0.625		RHYD-SKN5/660/05	9.19
1.000		RHYD-SKN5/660/08	9.35
1.375		RHYD-SKN5/660/11	11.72

### GLAND CARTRIDGE KITS - FPM (1-2-3-4-5)

Rod	Bore	Ref. Number	\$
0.625		RHYD-N5/665/05/V	140.88
1.000		RHYD-N5/665/08/V	172.16
1.375		RHYD-N5/665/11/V	188.23

### ROD SEAL KITS - FPM (2-3-4-5)

Rod	Bore	Ref. Number	\$
0.625		RHYD-SKN5/660/05/V	32.95
1.000		RHYD-SKN5/660/08/V	34.67
1.375		RHYD-SKN5/660/11/V	45.26

All manufacturer's names, part numbers and descriptions are used for reference purposes only. We do not imply that any part shown is the product of these manufacturers.

INDUSTRIAL  
SEAL KITS

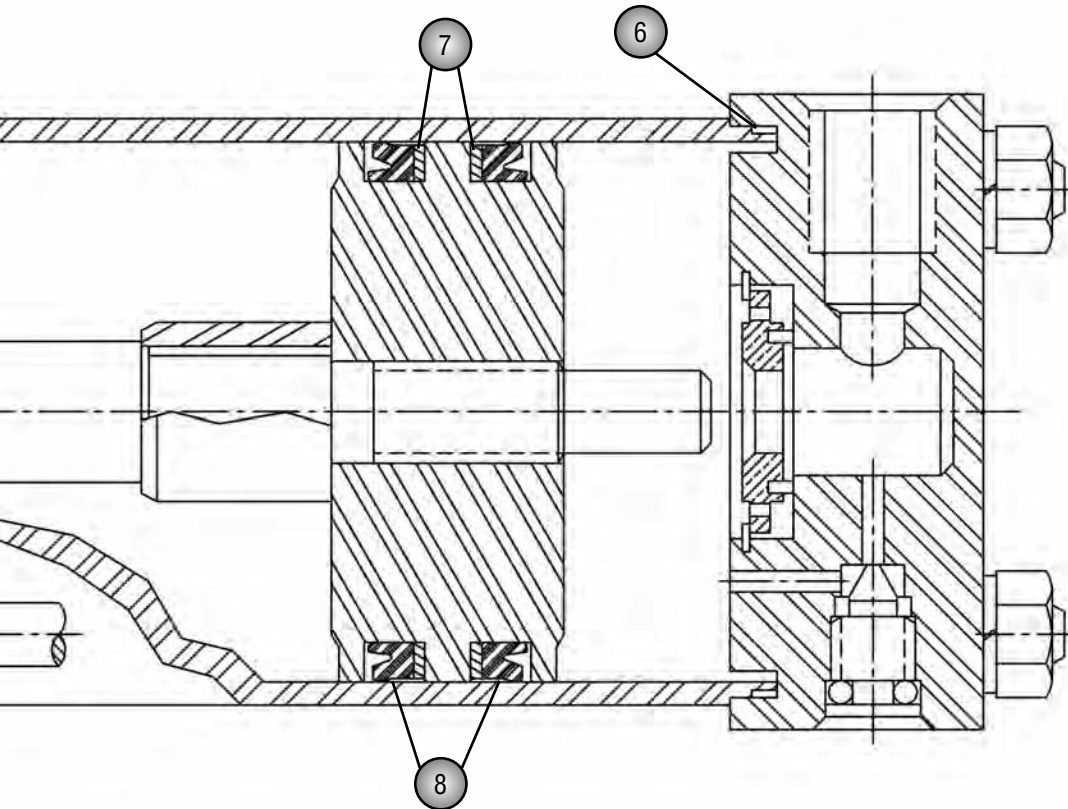
MOBILE  
SEAL KITS

HYDRO-LINE

## A5 SERIES

INDUSTRIAL  
SEAL KITS

MOBILE  
SEAL KITS



### COMPONENTS

- 1-GLAND CARTRIDGE
- 2-ROD WIPER
- 3-BACK UP RING
- 4-ROD SEAL
- 5-O-RING & B.UP RING
- 6-TUBE END SEAL
- 7-BACK UP RING
- 8-PISTON SEAL

### PISTON LIPSEAL KITS - NBR (6-7-8)

Rod	Bore	Ref. Number	\$
	1.500	RHYD-SKA5/512/03	23.06
	2.000	RHYD-SKA5/512/04	25.75
	2.500	RHYD-SKA5/512/05	27.74
	3.250	RHYD-SKA5/512/065	29.94
	4.000	RHYD-SKA5/512/08	34.83
	5.000	RHYD-SKA5/512/10	43.54
	6.000	RHYD-SKA5/512/12	51.22

### TUBE END SEALS (6)

Rod	Bore	Ref. Number	\$
	1.500	RHYD-C221/03	7.53
	2.000	RHYD-C221/04	8.22
	2.500	RHYD-C221/05	9.08
	3.250	RHYD-C221/065	9.78
	4.000	RHYD-C221/08	11.02
	5.000	RHYD-C221/10	14.89
	6.000	RHYD-C221/12	19.19

### PISTON LIPSEAL KITS - FPM (6-7-8)

Rod	Bore	Ref. Number	\$
	1.500	RHYD-SKA5/512/03/V	48.86
	2.000	RHYD-SKA5/512/04/V	50.63
	2.500	RHYD-SKA5/512/05/V	59.72
	3.250	RHYD-SKA5/512/065/V	67.30
	4.000	RHYD-SKA5/512/08/V	73.21
	5.000	RHYD-SKA5/512/10/V	85.79
	6.000	RHYD-SKA5/512/12/V	140.40

All manufacturer's names, part numbers and descriptions are used for reference purposes only. We do not imply that any part shown is the product of these manufacturers.

Tel.: (204) 783-9617  
Fax: (204) 783-6091

**KITS**

**19**

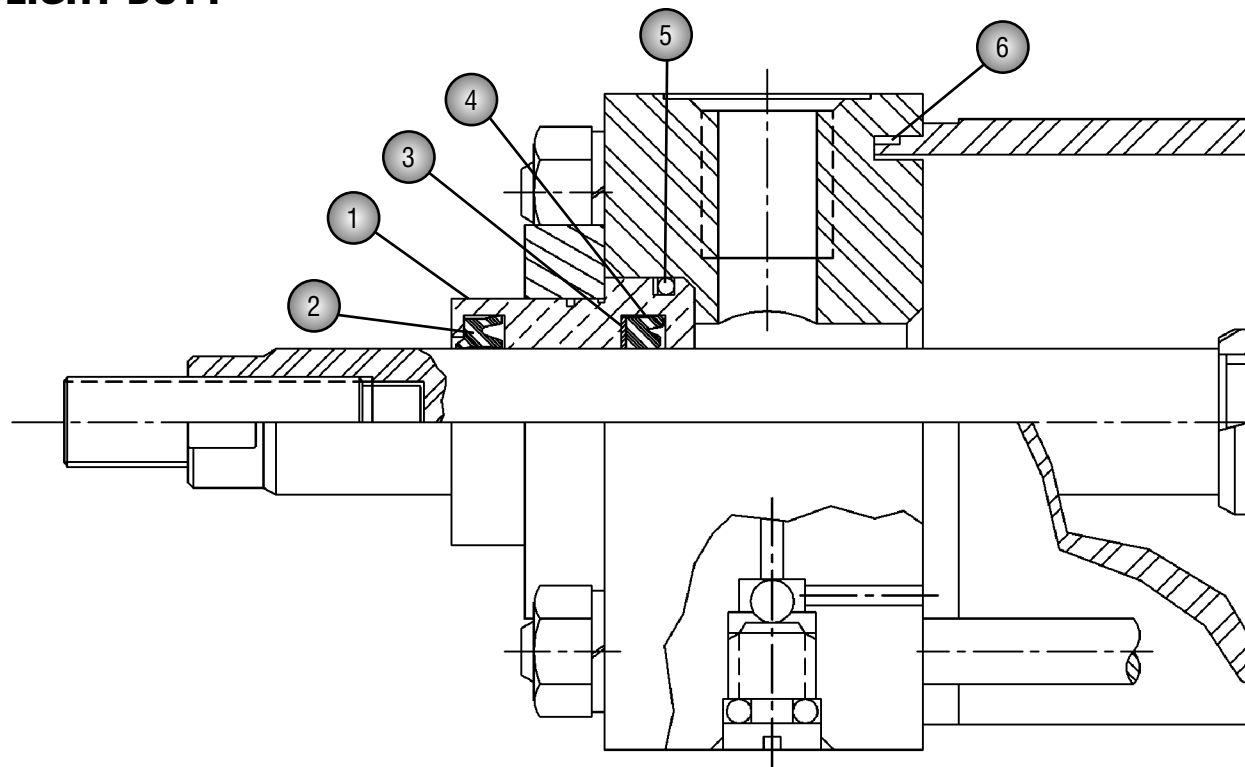
[www.sealsonline.com](http://www.sealsonline.com)

HYDRO-LINE



## AN5 SERIES

### AIR CYLINDER LIGHT DUTY



#### GLAND CARTRIDGE KITS - NBR (1-2-3-4-5)

Rod	Bore	Ref. Number	\$
0.625		RHYD-N5/665/05	123.36
1.000		RHYD-N5/665/08	153.13
1.375		RHYD-N5/665/11	163.83
1.750		RHYD-N5/665/14	190.44
2.000		RHYD-N5/665/16	198.34
2.500		RHYD-N5/665/20	215.22
3.000		RHYD-N5/665/24	324.22
3.500		RHYD-N5/665/28	379.53
4.000		RHYD-N5/665/32	420.65
4.500		RHYD-N5/665/36	595.39
5.000		RHYD-N5/665/40	716.43
5.500		RHYD-N5/665/44	777.44

#### ROD SEAL KITS - NBR (2-3-4-5)

Rod	Bore	Ref. Number	\$
0.625		RHYD-SKN5/660/05	9.19
1.000		RHYD-SKN5/660/08	9.35
1.375		RHYD-SKN5/660/11	11.72
1.750		RHYD-SKN5/660/14	14.78
2.000		RHYD-SKN5/660/16	16.56
2.500		RHYD-SKN5/660/20	18.28
3.000		RHYD-SKN5/660/24	18.92
3.500		RHYD-SKN5/660/28	20.80
4.000		RHYD-SKN5/660/32	26.07
4.500		RHYD-SKN5/660/36	28.11
5.000		RHYD-SKN5/660/40	41.55
5.500		RHYD-SKN5/660/44	56.71

#### GLAND CARTRIDGE KITS - FPM (1-2-3-4-5)

Rod	Bore	Ref. Number	\$
0.625		RHYD-N5/665/05/V	140.88
1.000		RHYD-N5/665/08/V	172.16
1.375		RHYD-N5/665/11/V	188.23
1.750		RHYD-N5/665/14/V	215.16
2.000		RHYD-N5/665/16/V	227.26
2.500		RHYD-N5/665/20/V	246.87
3.000		RHYD-N5/665/24/V	378.88
3.500		RHYD-N5/665/28/V	428.76
4.000		RHYD-N5/665/32/V	487.62
4.500		RHYD-N5/665/36/V	666.61
5.000		RHYD-N5/665/40/V	806.84
5.500		RHYD-N5/665/44/V	894.72

#### ROD SEAL KITS - FPM (2-3-4-5)

Rod	Bore	Ref. Number	\$
0.625		RHYD-SKN5/660/05/V	32.95
1.000		RHYD-SKN5/660/08/V	34.67
1.375		RHYD-SKN5/660/11/V	45.26
1.750		RHYD-SKN5/660/14/V	46.98
2.000		RHYD-SKN5/660/16/V	50.04
2.500		RHYD-SKN5/660/20/V	56.44
3.000		RHYD-SKN5/660/24/V	73.58
3.500		RHYD-SKN5/660/28/V	86.00
4.000		RHYD-SKN5/660/32/V	89.87
4.500		RHYD-SKN5/660/36/V	94.87
5.000		RHYD-SKN5/660/40/V	114.06
5.500		RHYD-SKN5/660/44/V	128.79

All manufacturer's names, part numbers and descriptions are used for reference purposes only. We do not imply that any part shown is the product of these manufacturers.

INDUSTRIAL  
SEAL KITS

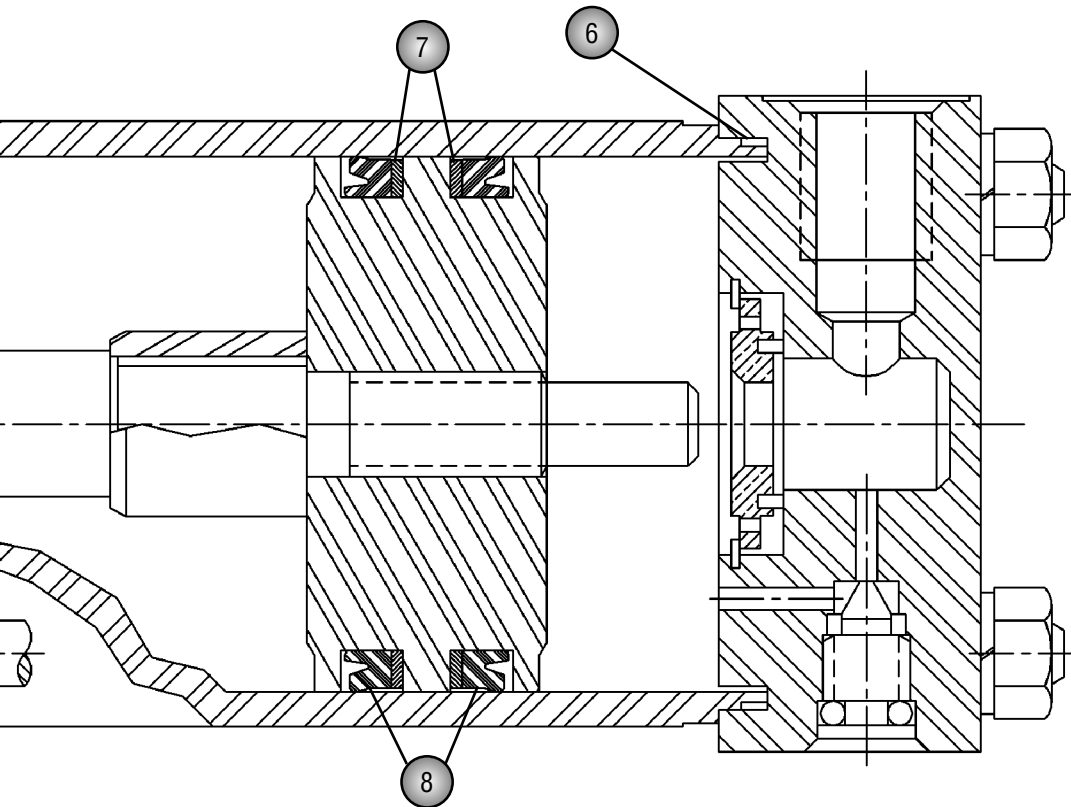
MOBILE  
SEAL KITS

HYDRO-LINE

## AN5 SERIES

INDUSTRIAL  
SEAL KITS

MOBILE  
SEAL KITS



### COMPONENTS

- 1-GLAND CARTRIDGE
- 2-ROD WIPER
- 3-BACK UP RING
- 4-ROD SEAL
- 5-O-RING & B.UP RING
- 6-TUBE END SEAL
- 7-BACK UP RING
- 8-PISTON SEAL

### PISTON LIPEAL KITS - NBR (6-7-8)

Rod	Bore	Ref. Number	\$
	1.500	RHYD-SKN5/512/03	23.97
	2.000	RHYD-SKN5/512/04	32.95
	2.500	RHYD-SKN5/512/05	35.21
	3.250	RHYD-SKN5/512/065	38.75
	4.000	RHYD-SKN5/512/08	46.23
	5.000	RHYD-SKN5/512/10	56.60
	6.000	RHYD-SKN5/512/12	58.91
	7.000	RHYD-SKN5/512/14	111.42
	8.000	RHYD-SKN5/512/16	146.04
	10.000	RHYD-SKN5/512/20	156.25
	12.000	RHYD-SKN5/512/24	229.57

### TUBE END SEALS (6)

Rod	Bore	Ref. Number	\$
	1.000	RHYD-C255/02	9.41
	1.500	RHYD-C255/03	10.75
	2.000	RHYD-C255/04	11.45
	2.500	RHYD-C255/05	11.72
	3.250	RHYD-C255/065	13.44
	4.000	RHYD-C255/08	14.24
	5.000	RHYD-C255/10	14.89
	6.000	RHYD-C255/12	15.59
	8.000	RHYD-C255/16	18.01
	10.000	RHYD-C255/20-STRIP	32.27
	12.000	RHYD-C255/24-STRIP	38.27

### PISTON LIPEAL KITS - FPM (6-7-8)

Rod	Bore	Ref. Number	\$
	1.500	RHYD-SKN5/512/03/V	59.45
	2.000	RHYD-SKN5/512/04/V	82.29
	2.500	RHYD-SKN5/512/05/V	83.64
	3.250	RHYD-SKN5/512/065/V	87.34
	4.000	RHYD-SKN5/512/08/V	113.09
	5.000	RHYD-SKN5/512/10/V	132.82
	6.000	RHYD-SKN5/512/12/V	157.22
	7.000	RHYD-SKN5/512/14/V	224.35
	8.000	RHYD-SKN5/512/16/V	252.63
	10.000	RHYD-SKN5/512/20/V	500.84
	12.000	RHYD-SKN5/512/24/V	742.50

All manufacturer's names, part numbers and descriptions are used for reference purposes only. We do not imply that any part shown is the product of these manufacturers.

HYDRO-LINE

Tel.: (780) 414-1871  
Fax: (780) 487-5419

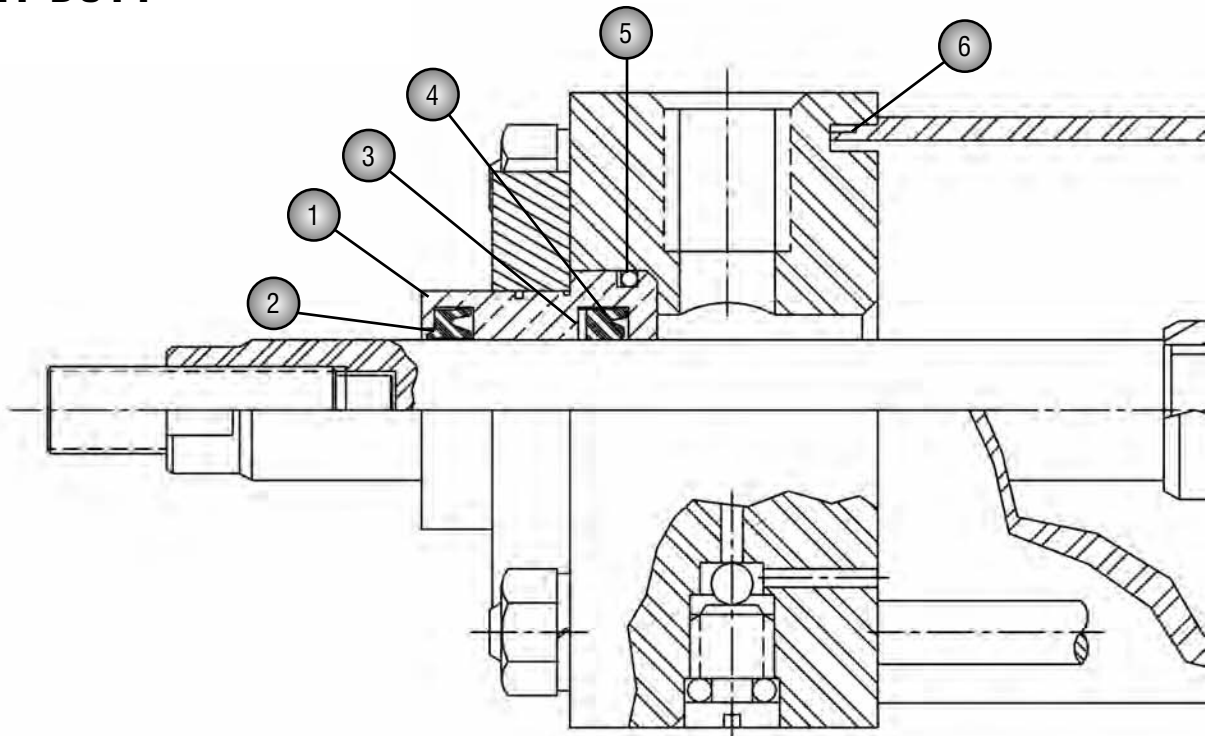
KITS

21

www.sealsonline.com

## R5 SERIES

### AIR CYLINDER LIGHT DUTY



#### GLAND CARTRIDGE KITS - NBR (1-2-3-4-5)

Rod	Bore	Ref. Number	\$
0.625		RHYD-N5/665/05	123.36
1.000		RHYD-N5/665/08	153.13
1.375		RHYD-N5/665/11	163.83
1.750		RHYD-N5/665/14	190.44
2.000		RHYD-N5/665/16	198.34
2.500		RHYD-N5/665/20	215.22
3.000		RHYD-N5/665/24	324.22
3.500		RHYD-N5/665/28	379.53
4.000		RHYD-N5/665/32	420.65
4.500		RHYD-N5/665/36	595.39
5.000		RHYD-N5/665/40	716.43
5.500		RHYD-N5/665/44	777.44

#### ROD SEAL KITS - NBR (2-3-4-5)

Rod	Bore	Ref. Number	\$
0.625		RHYD-SKN5/660/05	9.19
1.000		RHYD-SKN5/660/08	9.35
1.375		RHYD-SKN5/660/11	11.72
1.750		RHYD-SKN5/660/14	14.78
2.000		RHYD-SKN5/660/16	16.56
2.500		RHYD-SKN5/660/20	18.28
3.000		RHYD-SKN5/660/24	18.92
3.500		RHYD-SKN5/660/28	20.80
4.000		RHYD-SKN5/660/32	26.07
4.500		RHYD-SKN5/660/36	28.11
5.000		RHYD-SKN5/660/40	41.55
5.500		RHYD-SKN5/660/44	56.71

#### GLAND CARTRIDGE KITS - FPM (1-2-3-4-5)

Rod	Bore	Ref. Number	\$
0.625		RHYD-N5/665/05/V	140.88
1.000		RHYD-N5/665/08/V	172.16
1.375		RHYD-N5/665/11/V	188.23
1.750		RHYD-N5/665/14/V	215.16
2.000		RHYD-N5/665/16/V	227.26
2.500		RHYD-N5/665/20/V	246.87
3.000		RHYD-N5/665/24/V	378.88
3.500		RHYD-N5/665/28/V	428.76
4.000		RHYD-N5/665/32/V	487.62
4.500		RHYD-N5/665/36/V	666.61
5.000		RHYD-N5/665/40/V	806.84
5.500		RHYD-N5/665/44/V	894.72

#### ROD SEAL KITS - FPM (2-3-4-5)

Rod	Bore	Ref. Number	\$
0.625		RHYD-SKN5/660/05/V	32.95
1.000		RHYD-SKN5/660/08/V	34.67
1.375		RHYD-SKN5/660/11/V	45.26
1.750		RHYD-SKN5/660/14/V	46.98
2.000		RHYD-SKN5/660/16/V	50.04
2.500		RHYD-SKN5/660/20/V	56.44
3.000		RHYD-SKN5/660/24/V	73.58
3.500		RHYD-SKN5/660/28/V	86.00
4.000		RHYD-SKN5/660/32/V	89.87
4.500		RHYD-SKN5/660/36/V	94.87
5.000		RHYD-SKN5/660/40/V	114.06
5.500		RHYD-SKN5/660/44/V	128.79

All manufacturer's names, part numbers and descriptions are used for reference purposes only. We do not imply that any part shown is the product of these manufacturers.

INDUSTRIAL  
SEAL KITS

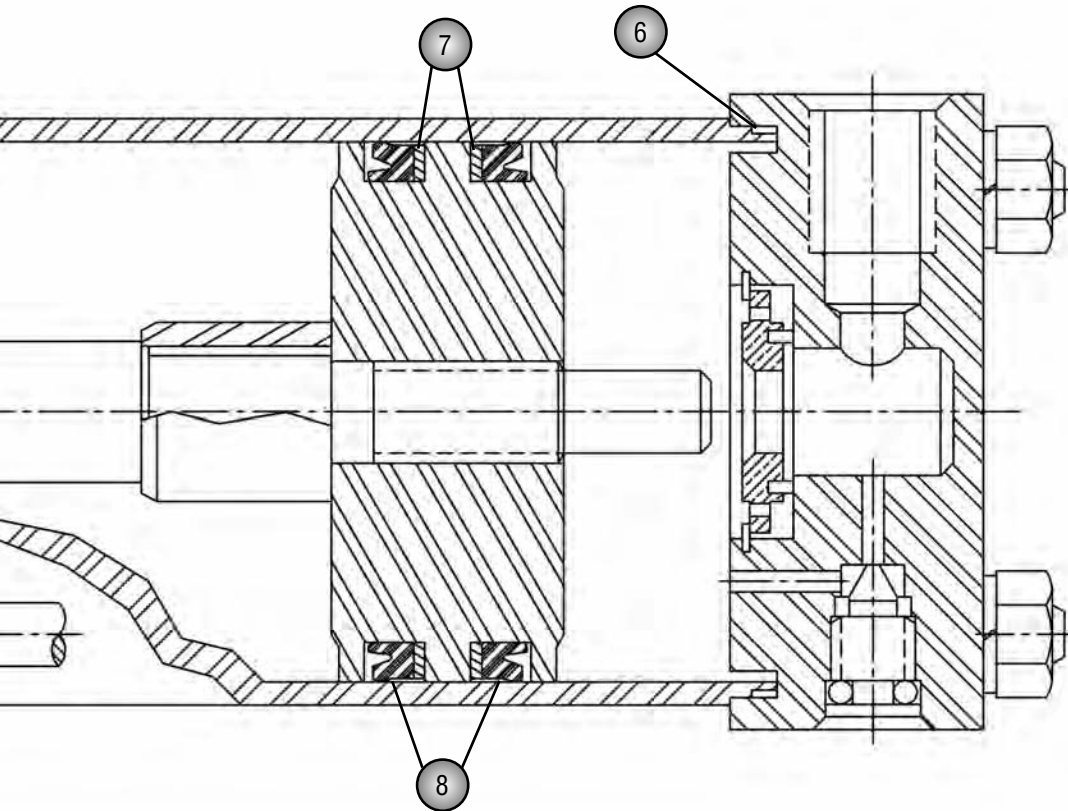
MOBILE  
SEAL KITS

HYDRO-LINE

## R5 SERIES

**INDUSTRIAL  
SEAL KITS**

**MOBILE  
SEAL KITS**



### COMPONENTS

- 1-GLAND CARTRIDGE
- 2-ROD WIPER
- 3-BACK UP RING
- 4-ROD SEAL
- 5-O-RING & B.UP RING
- 6-TUBE END SEAL
- 7-BACK UP RING
- 8-PISTON SEAL

### PISTON LIPSEAL KITS - NBR (6-7-8)

Rod	Bore	Ref. Number	\$
	1.000	RHYD-SKR5/512/02	24.73
	1.500	RHYD-SKR5/512/03	26.07
	2.000	RHYD-SKR5/512/04	28.54
	2.500	RHYD-SKR5/512/05	31.18
	3.250	RHYD-SKR5/512/065	34.62
	4.000	RHYD-SKR5/512/08	40.58
	5.000	RHYD-SKR5/512/10	51.39
	6.000	RHYD-SKR5/512/12	57.35
	8.000	RHYD-SKR5/512/16	146.04
	10.000	RHYD-SKR5/512/20	149.10
	12.000	RHYD-SKR5/512/24	229.57
	14.000	RHYD-SKR5/512/28	330.19

### TUBE END SEALS (6)

Rod	Bore	Ref. Number	\$
	1.000	RHYD-C221/02	7.04
	1.500	RHYD-C221/03	7.53
	2.000	RHYD-C221/04	8.22
	2.500	RHYD-C221/05	9.08
	3.250	RHYD-C221/065	9.78
	4.000	RHYD-C221/08	11.02
	5.000	RHYD-C221/10	14.89
	6.000	RHYD-C221/12	19.19
	8.000	RHYD-C221/16-STRIP	19.94
	10.000	RHYD-C221/20-STRIP	22.09
	12.000	RHYD-C221/24-STRIP	26.45
	14.000	RHYD-C221/28-STRIP	30.91

### PISTON LIPSEAL KITS - FPM (6-7-8)

Rod	Bore	Ref. Number	\$
	1.000	RHYD-SKR5/512/02/V	52.68
	1.500	RHYD-SKR5/512/03/V	55.09
	2.000	RHYD-SKR5/512/04/V	77.72
	2.500	RHYD-SKR5/512/05/V	79.50
	3.250	RHYD-SKR5/512/065/V	83.15
	4.000	RHYD-SKR5/512/08/V	106.91
	5.000	RHYD-SKR5/512/10/V	119.06
	6.000	RHYD-SKR5/512/12/V	155.34
	8.000	RHYD-SKR5/512/16/V	294.87
	10.000	RHYD-SKR5/512/20/V	499.82
	12.000	RHYD-SKR5/512/24/V	741.05
	14.000	RHYD-SKR5/512/28/V	808.56

All manufacturer's names, part numbers and descriptions are used for reference purposes only. We do not imply that any part shown is the product of these manufacturers.

**Tel.: (403) 279-1871**  
**Fax: (403) 279-1821**

**KITS**

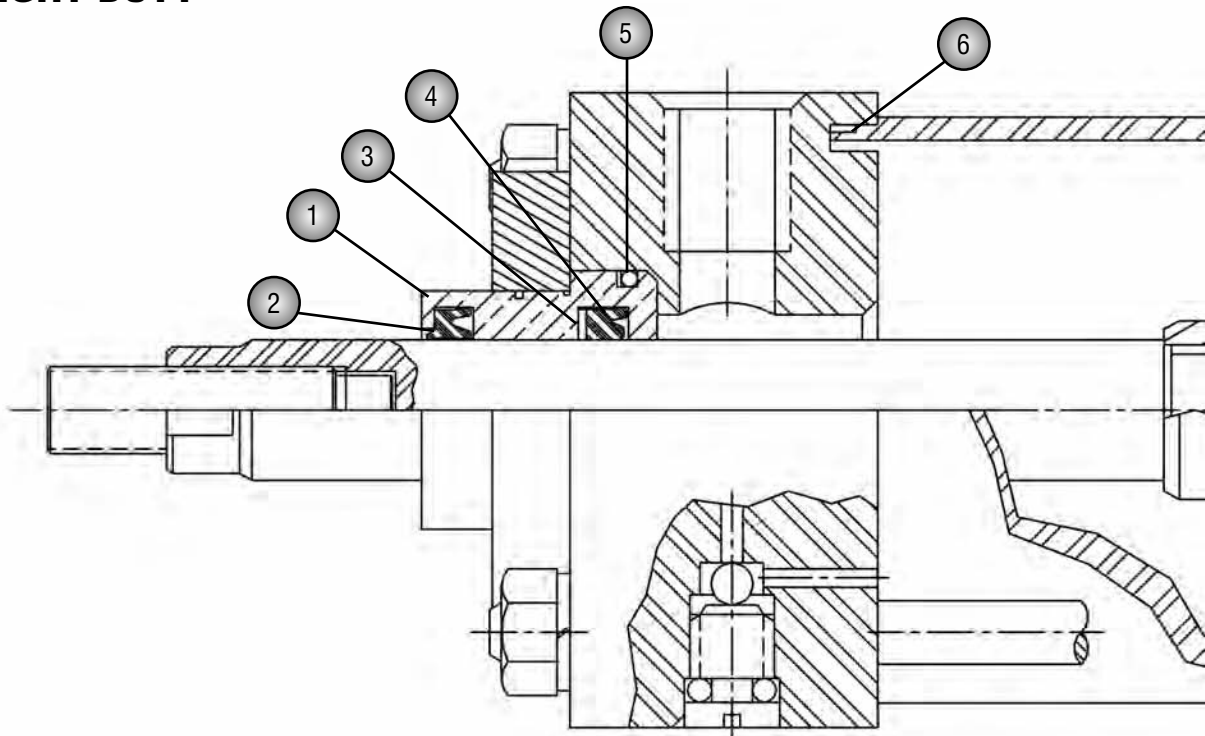
**23**

**www.sealsonline.com**

**HYDRO-LINE**

## HA5 SERIES

### HYDRAULIC CYLINDER LIGHT DUTY



#### GLAND CARTRIDGE KITS - NBR (1-2-4-5)

Rod	Bore	Ref. Number	\$
0.625		RHYD-N5/681/05	132.01
1.000		RHYD-N5/681/08	166.20
1.375		RHYD-N5/681/11	177.91

#### ROD SEAL KITS - NBR (2-4-5)

Rod	Bore	Ref. Number	\$
0.625		RHYD-SKN5/681/05	15.48
1.000		RHYD-SKN5/681/08	16.99
1.375		RHYD-SKN5/681/11	18.87

#### GLAND CARTRIDGE KITS - FPM (1-2-3-4-5)

Rod	Bore	Ref. Number	\$
0.625		RHYD-N5/660/P/05/V	173.94
1.000		RHYD-N5/660/P/08/V	212.15
1.375		RHYD-N5/660/P/11/V	236.07

#### ROD SEAL KITS - FPM (2-3-4-5)

Rod	Bore	Ref. Number	\$
0.625		RHYD-SKN5/660/P/05/V	55.36
1.000		RHYD-SKN5/660/P/08/V	62.89
1.375		RHYD-SKN5/660/P/11/V	77.02

All manufacturer's names, part numbers and descriptions are used for reference purposes only. We do not imply that any part shown is the product of these manufacturers.

INDUSTRIAL  
SEAL KITS

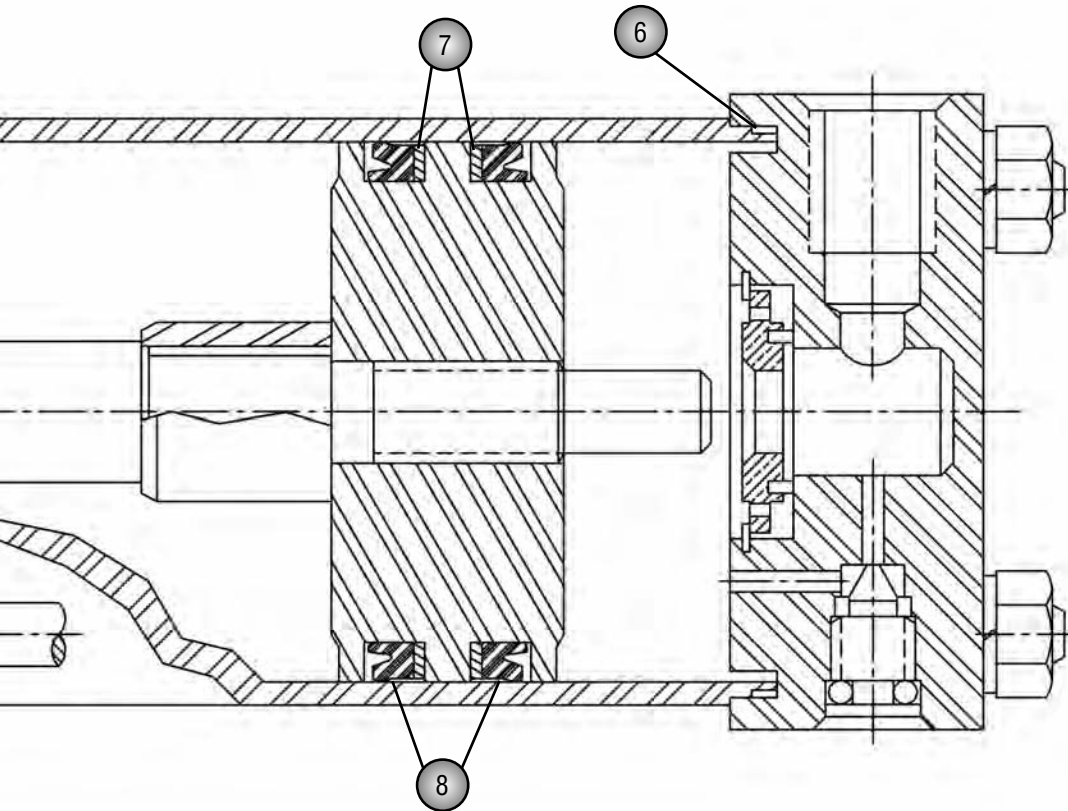
MOBILE  
SEAL KITS

HYDRO-LINE

## HA5 SERIES

INDUSTRIAL  
SEAL KITS

MOBILE  
SEAL KITS



### COMPONENTS

- 1-GLAND CARTRIDGE
- 2-ROD WIPER
- 3-BACK UP RING
- 4-ROD SEAL
- 5-O-RING & B.UP RING
- 6-TUBE END SEAL
- 7-BACK UP RING
- 8-PISTON SEAL

### PISTON LIPEAL KITS - NBR (6-7-8)

Rod	Bore	Ref. Number	\$
	1.500	RHYD-SKA5/512/03	23.06
	2.000	RHYD-SKA5/512/04	25.75
	2.500	RHYD-SKA5/512/05	27.74
	3.250	RHYD-SKA5/512/065	29.94
	4.000	RHYD-SKA5/512/08	34.83
	5.000	RHYD-SKA5/512/10	43.54
	6.000	RHYD-SKA5/512/12	51.22

### TUBE END SEALS (6)

Rod	Bore	Ref. Number	\$
	1.500	RHYD-C221/03	7.53
	2.000	RHYD-C221/04	8.22
	2.500	RHYD-C221/05	9.08
	3.250	RHYD-C221/065	9.78
	4.000	RHYD-C221/08	11.02
	5.000	RHYD-C221/10	14.89
	6.000	RHYD-C221/12	19.19

### PISTON LIPEAL KITS - FPM (6-7-8)

Rod	Bore	Ref. Number	\$
	1.500	RHYD-SKA5/512/03/V	48.86
	2.000	RHYD-SKA5/512/04/V	50.63
	2.500	RHYD-SKA5/512/05/V	59.72
	3.250	RHYD-SKA5/512/065/V	67.30
	4.000	RHYD-SKA5/512/08/V	73.21
	5.000	RHYD-SKA5/512/10/V	85.79
	6.000	RHYD-SKA5/512/12/V	140.40

All manufacturer's names, part numbers and descriptions are used for reference purposes only. We do not imply that any part shown is the product of these manufacturers.

Tel.: (604) 278-6808  
Fax: (604) 278-6180

**KITS**

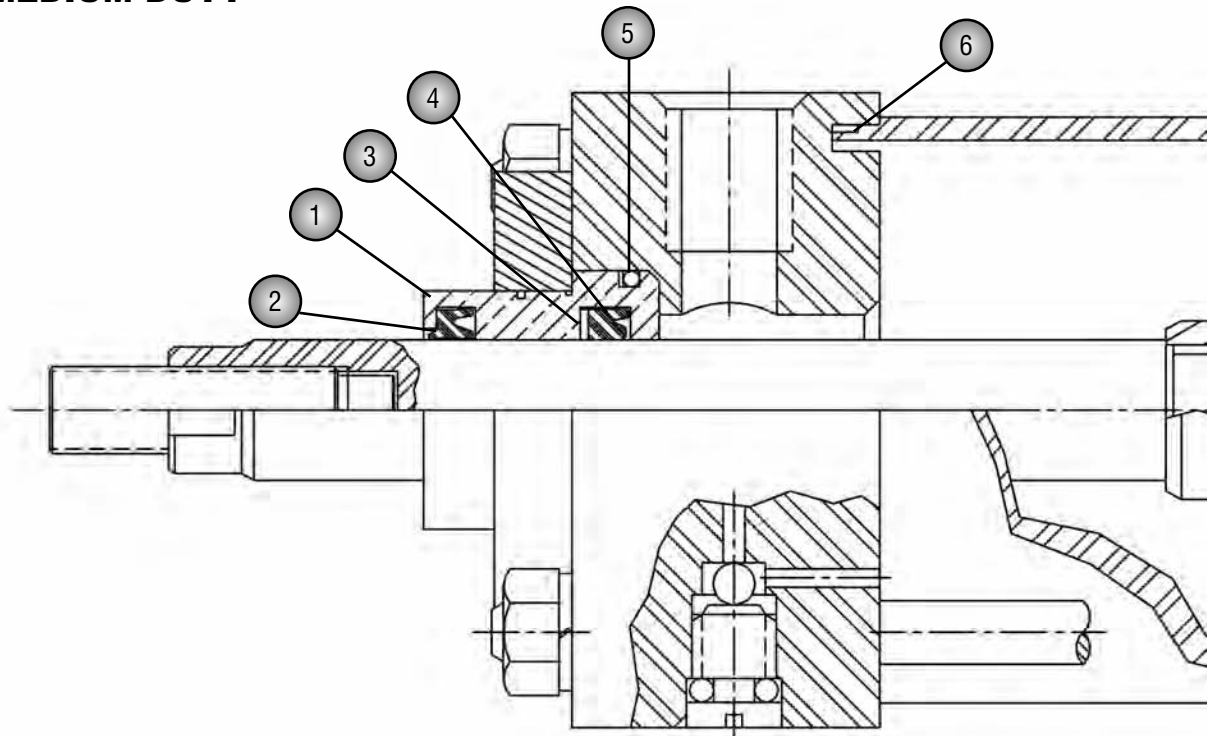
**25**

[www.sealsonline.com](http://www.sealsonline.com)

HYDRO-LINE

## HR5 SERIES

### HYDRAULIC CYLINDER MEDIUM DUTY



INDUSTRIAL  
SEAL KITS

MOBILE  
SEAL KITS

HYDRO-LINE

#### GLAND CARTRIDGE KITS - NBR (1-2-3-4-5)

Rod	Bore	Ref. Number	\$
0.625		RHYD-N5/681/05	132.01
1.000		RHYD-N5/681/08	166.20
1.375		RHYD-N5/681/11	177.91
1.750		RHYD-N5/681/14	203.61
2.000		RHYD-N5/681/16	217.96
2.500		RHYD-N5/681/20	243.38
3.000		RHYD-N5/681/24	347.66
3.500		RHYD-N5/681/28	404.20
4.000		RHYD-N5/681/32	446.93
4.500		RHYD-N5/681/36	630.00
5.000		RHYD-N5/681/40	756.16
5.500		RHYD-N5/681/44	822.38

#### ROD SEAL KITS - NBR (2-3-4-5)

Rod	Bore	Ref. Number	\$
0.625		RHYD-SKN5/681/05	15.48
1.000		RHYD-SKN5/681/08	16.99
1.375		RHYD-SKN5/681/11	18.87
1.750		RHYD-SKN5/681/14	20.26
2.000		RHYD-SKN5/681/16	26.34
2.500		RHYD-SKN5/681/20	37.09
3.000		RHYD-SKN5/681/24	40.42
3.500		RHYD-SKN5/681/28	44.29
4.000		RHYD-SKN5/681/32	51.98
4.500		RHYD-SKN5/681/36	68.26
5.000		RHYD-SKN5/681/40	71.49
5.500		RHYD-SKN5/681/44	85.09

#### GLAND CARTRIDGE KITS - FPM (1-2-3-4-5)

Rod	Bore	Ref. Number	\$
0.625		RHYD-N5/660/P05/V	173.94
1.000		RHYD-N5/660/P08/V	212.15
1.375		RHYD-N5/660/P11/V	236.07
1.750		RHYD-N5/660/P14/V	268.27
2.000		RHYD-N5/660/P16/V	280.09
2.500		RHYD-N5/660/P20/V	335.24
3.000		RHYD-N5/660/P24/V	455.75
3.500		RHYD-N5/660/P28/V	525.73
4.000		RHYD-N5/660/P32/V	595.28
4.500		RHYD-N5/660/P36/V	776.58
5.000		RHYD-N5/660/P40/V	904.88
5.500		RHYD-N5/660/P44/V	962.50

#### ROD SEAL KITS - FPM (2-3-4-5)

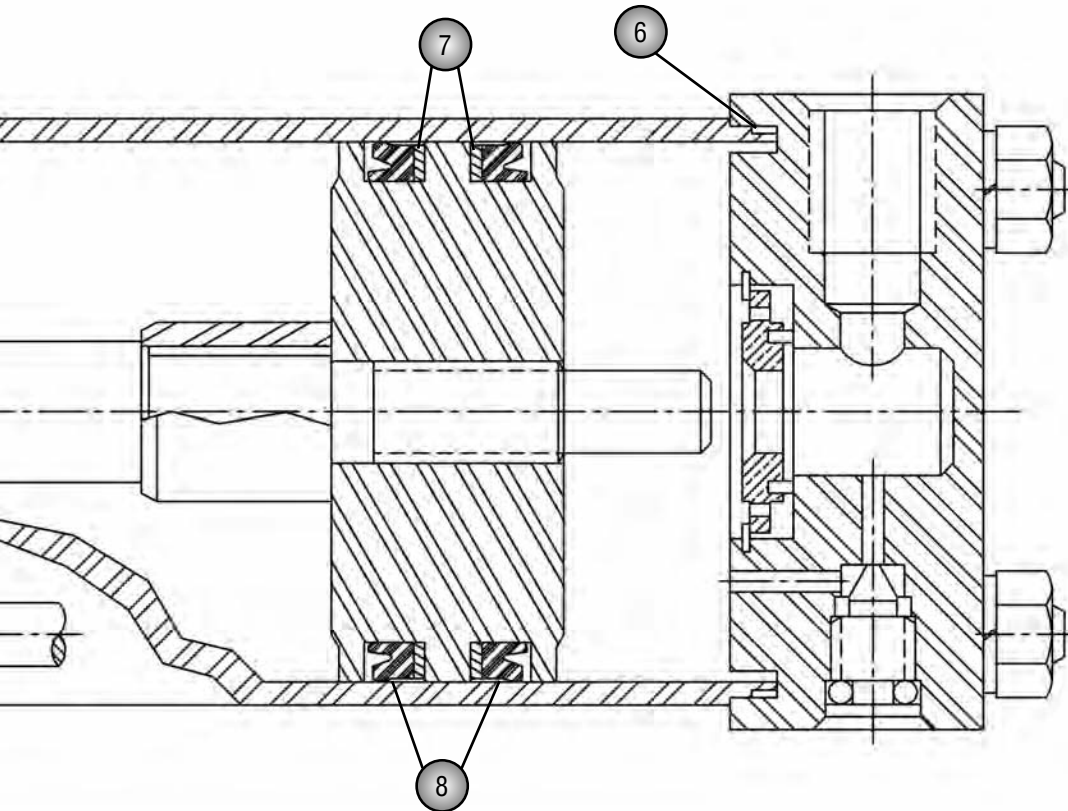
Rod	Bore	Ref. Number	\$
0.625		RHYD-SKN5/660/P05/V	55.36
1.000		RHYD-SKN5/660/P08/V	62.89
1.375		RHYD-SKN5/660/P11/V	77.02
1.750		RHYD-SKN5/660/P14/V	84.87
2.000		RHYD-SKN5/660/P16/V	88.37
2.500		RHYD-SKN5/660/P20/V	128.89
3.000		RHYD-SKN5/660/P24/V	148.40
3.500		RHYD-SKN5/660/P28/V	165.71
4.000		RHYD-SKN5/660/P32/V	200.11
4.500		RHYD-SKN5/660/P36/V	214.62
5.000		RHYD-SKN5/660/P40/V	220.05
5.500		RHYD-SKN5/660/P44/V	225.00

All manufacturer's names, part numbers and descriptions are used for reference purposes only. We do not imply that any part shown is the product of these manufacturers.

## HR5 SERIES

INDUSTRIAL  
SEAL KITS

MOBILE  
SEAL KITS

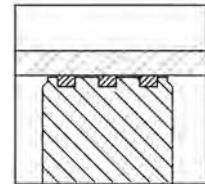


### COMPONENTS

- 1-GLAND CARTRIDGE
- 2-ROD WIPER
- 3-BACK UP RING
- 4-ROD SEAL
- 5-O-RING & B.UP RING
- 6-TUBE END SEAL
- 7-BACK UP RING
- 8-PISTON SEAL

### OPTIONS

#### Piston Ring



### PISTON LIPSEAL KITS - NBR (6-7-8)

Rod	Bore	Ref. Number	\$
	1.000	RHYD-SKR5/512/02	24.73
	1.500	RHYD-SKR5/512/03	26.07
	2.000	RHYD-SKR5/512/04	28.54
	2.500	RHYD-SKR5/512/05	31.18
	3.250	RHYD-SKR5/512/065	34.62
	4.000	RHYD-SKR5/512/08	40.58
	5.000	RHYD-SKR5/512/10	51.39
	6.000	RHYD-SKR5/512/12	57.35
	8.000	RHYD-SKR5/512/16	146.04
	10.000	RHYD-SKR5/512/20	149.10
	12.000	RHYD-SKR5/512/24	229.57
	14.000	RHYD-SKR5/512/28	330.19

### PISTON RING KITS (OPTIONAL)

Rod	Bore	Ref. Number	\$
	1.000	RHYD-SKR5/511/02	82.29
	1.500	RHYD-SKR5/511/03	55.20
	2.000	RHYD-SKR5/511/04	56.87
	2.500	RHYD-SKR5/511/05	57.78
	3.250	RHYD-SKR5/511/065	66.92
	4.000	RHYD-SKR5/511/08	75.41
	5.000	RHYD-SKR5/511/10	97.50
	6.000	RHYD-SKR5/511/12	108.09
	8.000	RHYD-SKR5/511/16	127.23
	10.000	RHYD-SKR5/511/20	362.33
	12.000	RHYD-SKR5/511/24	504.07
	14.000	RHYD-SKR5/511/28	0/R

### PISTON LIPSEAL KITS - FPM (6-7-8)

Rod	Bore	Ref. Number	\$
	1.000	RHYD-SKR5/512/02/V	52.68
	1.500	RHYD-SKR5/512/03/V	55.09
	2.000	RHYD-SKR5/512/04/V	77.72
	2.500	RHYD-SKR5/512/05/V	79.50
	3.250	RHYD-SKR5/512/065/V	83.15
	4.000	RHYD-SKR5/512/08/V	106.91
	5.000	RHYD-SKR5/512/10/V	119.06
	6.000	RHYD-SKR5/512/12/V	155.34
	8.000	RHYD-SKR5/512/16/V	294.87
	10.000	RHYD-SKR5/512/20/V	499.82
	12.000	RHYD-SKR5/512/24/V	741.05
	14.000	RHYD-SKR5/512/28/V	808.56

### TUBE END SEALS (6)

Rod	Bore	Ref. Number	\$
	1.000	RHYD-C221/02	7.04
	1.500	RHYD-C221/03	7.53
	2.000	RHYD-C221/04	8.22
	2.500	RHYD-C221/05	9.08
	3.250	RHYD-C221/065	9.78
	4.000	RHYD-C221/08	11.02
	5.000	RHYD-C221/10	14.89
	6.000	RHYD-C221/12	19.19
	8.000	RHYD-C221/16-STRIP	19.94
	10.000	RHYD-C221/20-STRIP	22.09
	12.000	RHYD-C221/24-STRIP	26.45
	14.000	RHYD-C221/28-STRIP	30.91

HYDRO-LINE

All manufacturer's names, part numbers and descriptions are used for reference purposes only. We do not imply that any part shown is the product of these manufacturers.

Tel.: (418) 688-3202  
Fax: (418) 688-4272

KITS

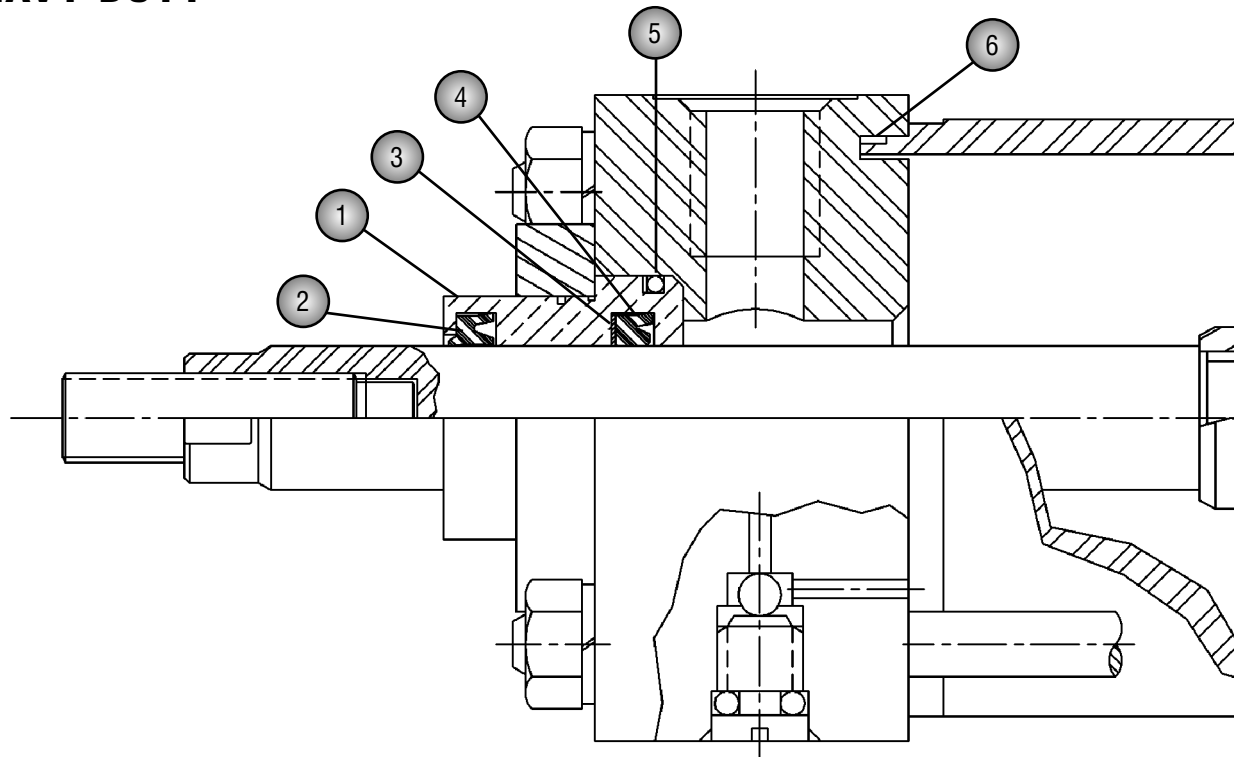
27

www.sealsonline.com



## N5 SERIES

## HYDRAULIC CYLINDER HEAVY DUTY



INDUSTRIAL  
SEAL KITS

MOBILE  
SEAL KITS

### GLAND CARTRIDGE KITS - NBR (1-2-4-5)

Rod	Bore	Ref. Number	\$
0.625		RHYD-N5/681/05	132.01
1.000		RHYD-N5/681/08	166.20
1.375		RHYD-N5/681/11	177.91
1.750		RHYD-N5/681/14	203.61
2.000		RHYD-N5/681/16	217.96
2.500		RHYD-N5/681/20	243.38
3.000		RHYD-N5/681/24	347.66
3.500		RHYD-N5/681/28	404.20
4.000		RHYD-N5/681/32	446.93
4.500		RHYD-N5/681/36	630.00
5.000		RHYD-N5/681/40	756.16
5.500		RHYD-N5/681/44	822.38

### ROD SEAL KITS - NBR (2-4-5)

Rod	Bore	Ref. Number	\$
0.625		RHYD-SKN5/681/05	15.48
1.000		RHYD-SKN5/681/08	16.99
1.375		RHYD-SKN5/681/11	18.87
1.750		RHYD-SKN5/681/14	20.26
2.000		RHYD-SKN5/681/16	26.34
2.500		RHYD-SKN5/681/20	37.09
3.000		RHYD-SKN5/681/24	40.42
3.500		RHYD-SKN5/681/28	44.29
4.000		RHYD-SKN5/681/32	51.98
4.500		RHYD-SKN5/681/36	68.26
5.000		RHYD-SKN5/681/40	71.49
5.500		RHYD-SKN5/681/44	85.09

### GLAND CARTRIDGE KITS - FPM (1-2-3-4-5)

Rod	Bore	Ref. Number	\$
0.625		RHYD-N5/660/P05/V	173.94
1.000		RHYD-N5/660/P08/V	212.15
1.375		RHYD-N5/660/P11/V	236.07
1.750		RHYD-N5/660/P14/V	268.27
2.000		RHYD-N5/660/P16/V	280.09
2.500		RHYD-N5/660/P20/V	335.24
3.000		RHYD-N5/660/P24/V	455.75
3.500		RHYD-N5/660/P28/V	525.73
4.000		RHYD-N5/660/P32/V	595.28
4.500		RHYD-N5/660/P36/V	776.58
5.000		RHYD-N5/660/P40/V	904.88
5.500		RHYD-N5/660/P44/V	962.50

### ROD SEAL KITS - FPM (2-3-4-5)

Rod	Bore	Ref. Number	\$
0.625		RHYD-SKN5/660/P/05/V	55.36
1.000		RHYD-SKN5/660/P/08/V	62.89
1.375		RHYD-SKN5/660/P/11/V	77.02
1.750		RHYD-SKN5/660/P/14/V	84.97
2.000		RHYD-SKN5/660/P/16/V	88.37
2.500		RHYD-SKN5/660/P/20/V	128.89
3.000		RHYD-SKN5/660/P/24/V	148.40
3.500		RHYD-SKN5/660/P/28/V	165.71
4.000		RHYD-SKN5/660/P/32/V	200.11
4.500		RHYD-SKN5/660/P/36/V	214.62
5.000		RHYD-SKN5/660/P/40/V	220.05
5.500		RHYD-SKN5/660/P/44/V	225.00

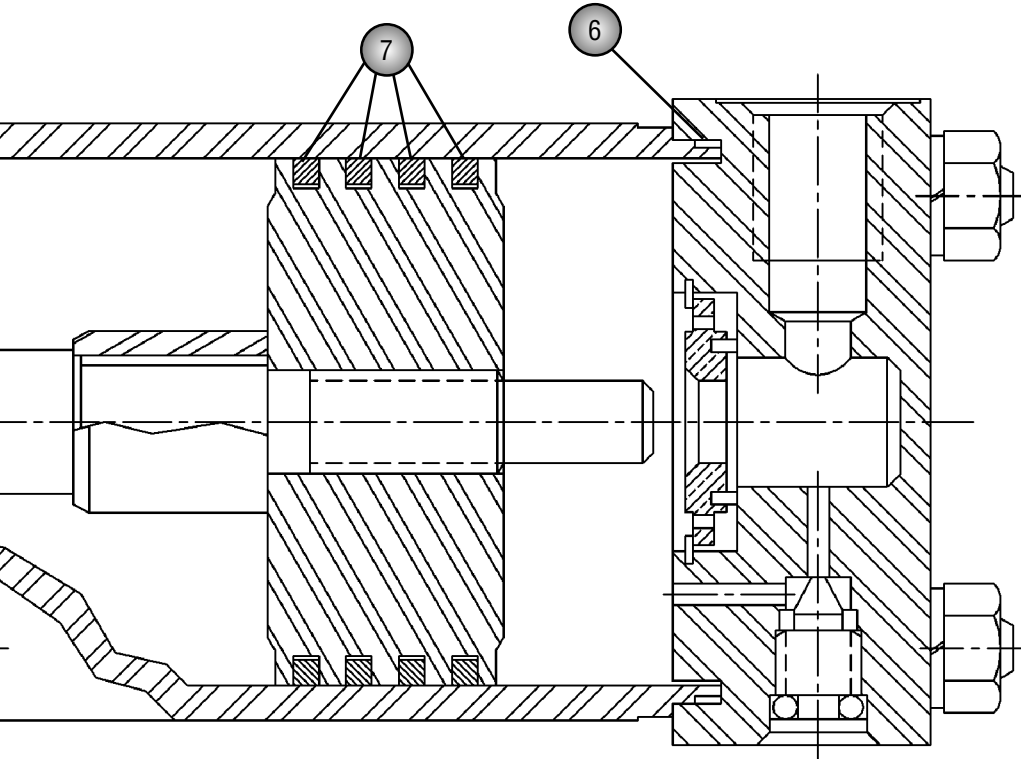
All manufacturer's names, part numbers and descriptions are used for reference purposes only. We do not imply that any part shown is the product of these manufacturers.

HYDRO-LINE

## N5 SERIES

**INDUSTRIAL  
SEAL KITS**

**MOBILE  
SEAL KITS**



### COMPONENTS

- 1-GLAND CARTRIDGE
- 2-ROD WIPER
- 3-BACK UP RING
- 4-ROD SEAL
- 5-O-RING & B.UP RING
- 6-TUBE END SEAL
- 7-PISTON RING

### PISTON RING KITS - NBR (6-7)

Rod	Bore	Ref. Number	\$
	1.500	RHYD-SKN5/511/03	75.90
	2.000	RHYD-SKN5/511/04	82.78
	2.500	RHYD-SKN5/511/05	83.42
	3.250	RHYD-SKN5/511/065	86.00
	4.000	RHYD-SKN5/511/08	98.52
	5.000	RHYD-SKN5/511/10	119.92
	6.000	RHYD-SKN5/511/12	135.18
	7.000	RHYD-SKN5/511/14	159.80
	8.000	RHYD-SKN5/511/16	202.75
	10.000	RHYD-SKN5/511/20	388.83
	12.000	RHYD-SKN5/511/24	525.94

### TUBE END SEALS (6)

Rod	Bore	Ref. Number	\$
	1.000	RHYD-C255/02	9.41
	1.500	RHYD-C255/03	10.75
	2.000	RHYD-C255/04	11.45
	2.500	RHYD-C255/05	11.72
	3.250	RHYD-C255/065	13.44
	4.000	RHYD-C255/08	14.24
	5.000	RHYD-C255/10	14.89
	6.000	RHYD-C255/12	15.59
	8.000	RHYD-C255/16-STRIP	18.01
	10.000	RHYD-C255/20-STRIP	32.04
	12.000	RHYD-C255/24-STRIP	38.27

All manufacturer's names, part numbers and descriptions are used for reference purposes only. We do not imply that any part shown is the product of these manufacturers.

**Tel.: (514) 334-2220**  
**Fax: (514) 333-8329**

**KITS**

**29**

**www.sealsonline.com**

**HYDRO-LINE**

INDUSTRIAL  
SEAL KITS

MOBILE  
SEAL KITS

HYDRO-LINE



All manufacturer's names, part numbers and descriptions are used for reference purposes only. We do not imply that any part shown is the product of these manufacturers.

## MILLER - CYLINDERS

### PRODUCT RANGE

Cylinder Type	Duty	Series	Pressure rating	Specification
AIR CYLINDERS		A	250 PSI/17 BAR	NFPA INTERCHANGEABLE
		B	250 PSI/17 BAR	NFPA INTERCHANGEABLE
HYDRAULIC CYLINDERS	MEDIUM DUTY	JV	1000 PSI/70 BAR	NFPA INTERCHANGEABLE
		J	2300 PSI/ 160 BAR	NFPA INTERCHANGEABLE
	HEAVY DUTY	HV2	3000 PSI/200 BAR	NFPA INTERCHANGEABLE
		HV2 LARGE BORE	3000 PSI/200 BAR	NFPA INTERCHANGEABLE
H	5000 PSI/340 BAR	NFPA INTERCHANGEABLE		

INDUSTRIAL  
SEAL KITS

MOBILE  
SEAL KITS

### INDEX

Cylinder Type	Duty	Series	Page
AIR CYLINDERS		A	<b>KITS 34</b>
		B	<b>KITS 36</b>
HYDRAULIC CYLINDERS	MEDIUM DUTY	JV	<b>KITS 38</b>
		J	<b>KITS 42</b>
	HEAVY DUTY	HV2	<b>KITS 44</b>
		HV2 - Large Bore	<b>KITS 48</b>
		H	<b>KITS 50</b>
INDIVIDUAL PARTS		<b>KITS 52</b>	

MILLER

All manufacturer's names, part numbers and descriptions are used for reference purposes only. We do not imply that any part shown is the product of these manufacturers.

**Tel.: (905) 362-0889**  
**Fax: (888) 238-1664**

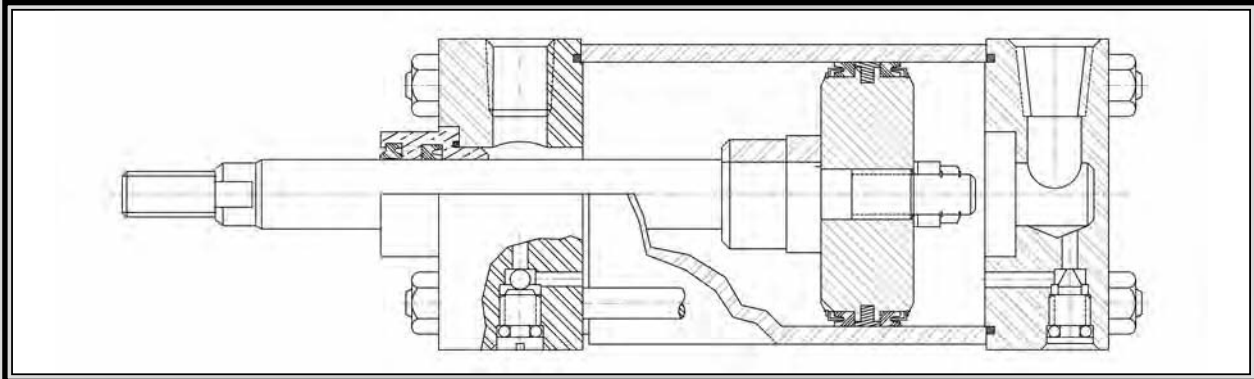
**KITS 31**

[www.sealsonline.com](http://www.sealsonline.com)

## MILLER - CYLINDERS

**AIR CYLINDER - LIGHT DUTY  
HYDRAULIC CYLINDER - MEDIUM DUTY**

**SERIES - "A"  
SERIES - "J"**

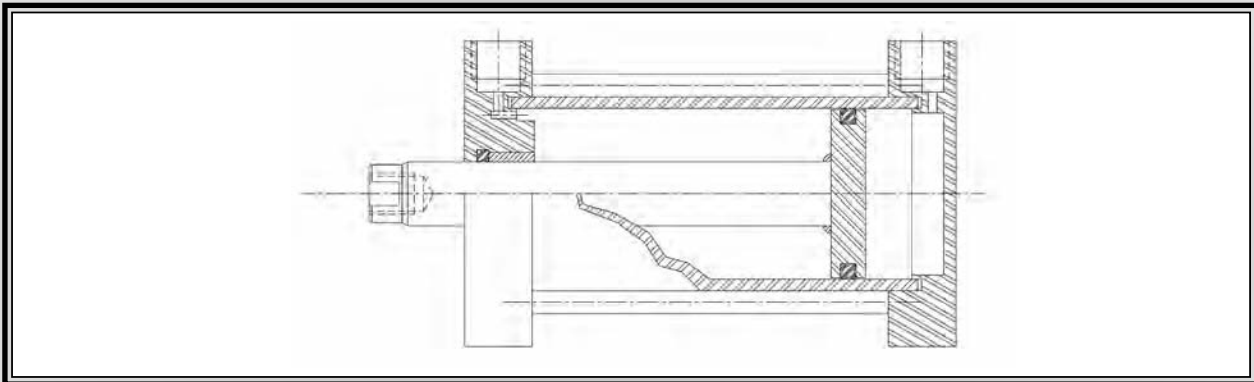


**Temperature: NBR -40/250F [ -40/121C ]  
FPM -5/400F [ -21/204C ]**

**"A" Pressure: 250 PSI [ 17 BAR ]  
"J" Pressure: 2300 PSI [ 160 BAR ]**

**AIR CYLINDER - LIGHT DUTY**

**SERIES - "B-Flat/B-Flat-M"**

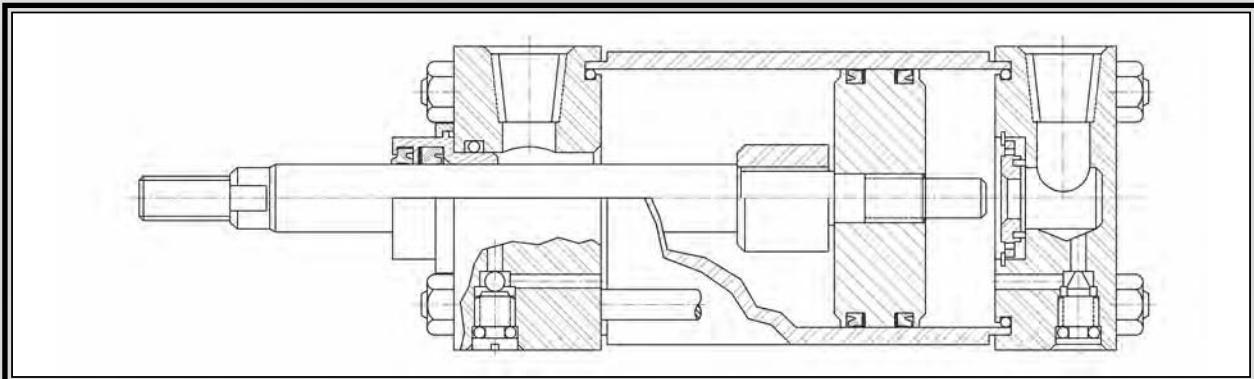


**Temperature: NBR -40/250F [ -40/121C ]  
FPM -5/400F [ -21/204C ]**

**Pressure: 250 PSI [ 17 BAR ]**

**HYDRAULIC CYLINDER - MEDIUM DUTY**

**SERIES - "JV"**



**Temperature: NBR -40/250F [ -40/121C ]  
FPM -5/400F [ -21/204C ]**

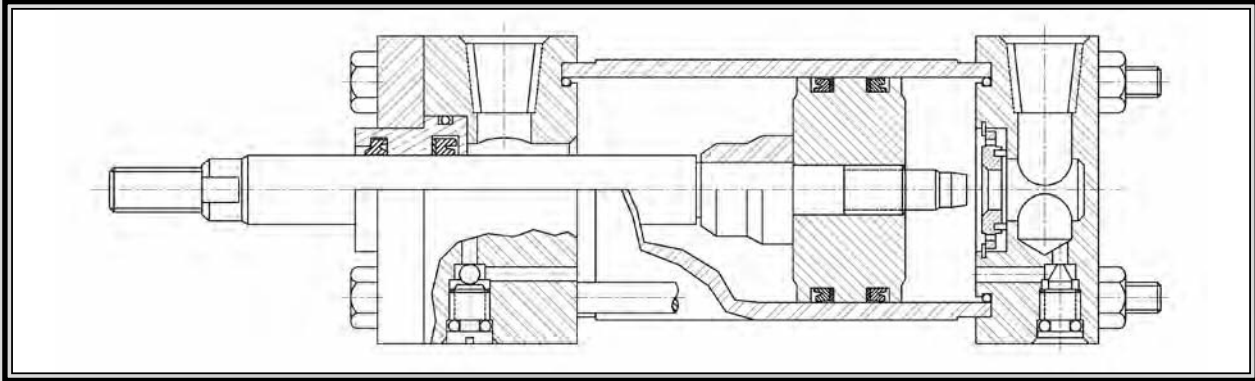
**Pressure: 1000 PSI [ 70 BAR ]**

All manufacturer's names, part numbers and descriptions are used for reference purposes only. We do not imply that any part shown is the product of these manufacturers.

## MILLER - CYLINDERS

### HYDRAULIC CYLINDER - HEAVY DUTY

### SERIES - "HV2"

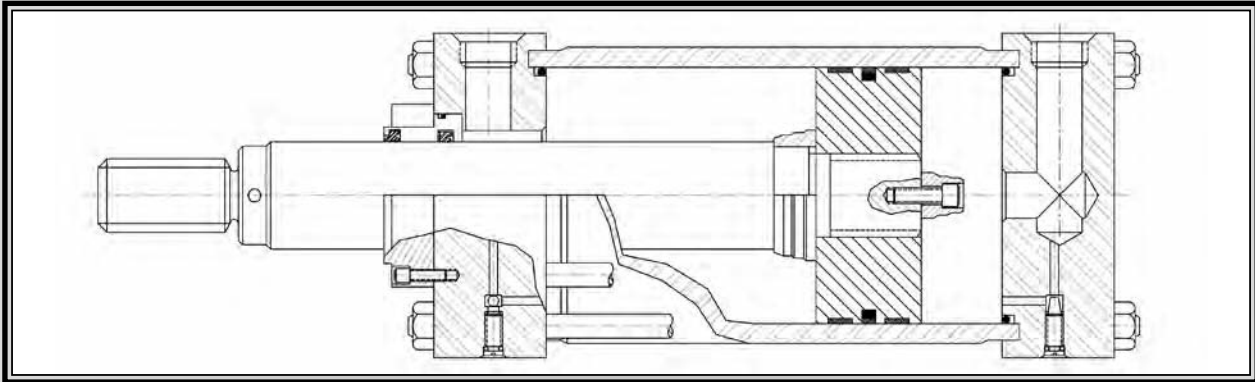


Temperature: **NBR -40/250F [ -40/121C ]**  
**FPM -5/400F [ -21/204C ]**

Pressure: **3000 PSI [ 200 BAR ]**

### HYDRAULIC CYLINDER - HEAVY DUTY

### SERIES - "HV2-LARGE BORE"

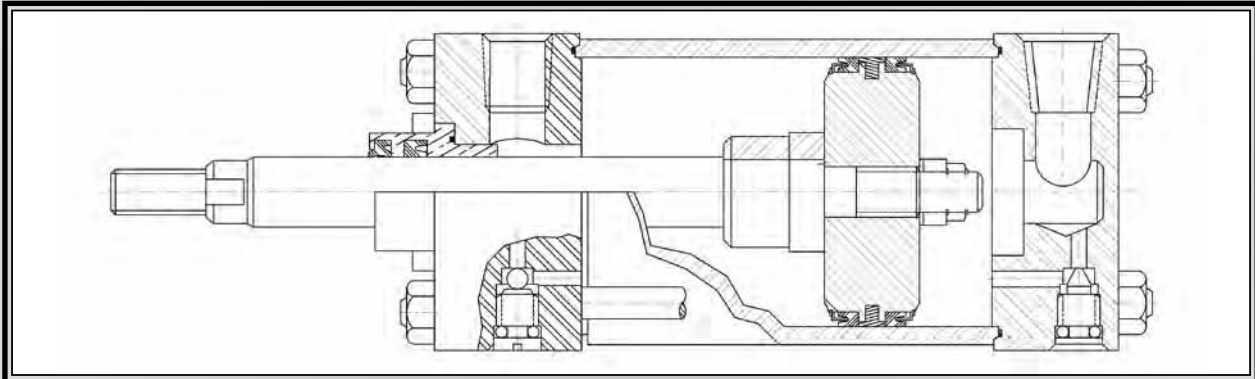


Temperature: **NBR -40/250F [ -40/121C ]**  
**FPM -5/400F [ -21/204C ]**

Pressure: **3000 PSI [ 200 BAR ]**

### HYDRAULIC CYLINDER - HEAVY DUTY

### SERIES - "H"



Temperature: **NBR -40/250F [ -40/121C ]**  
**FPM -5/400F [ -21/204C ]**

Pressure: **5000 PSI [ 340 BAR ]**

INDUSTRIAL  
SEAL KITS

MOBILE  
SEAL KITS

MILLER

All manufacturer's names, part numbers and descriptions are used for reference purposes only. We do not imply that any part shown is the product of these manufacturers.

Tel.: (204) 783-9617  
Fax: (204) 783-6091

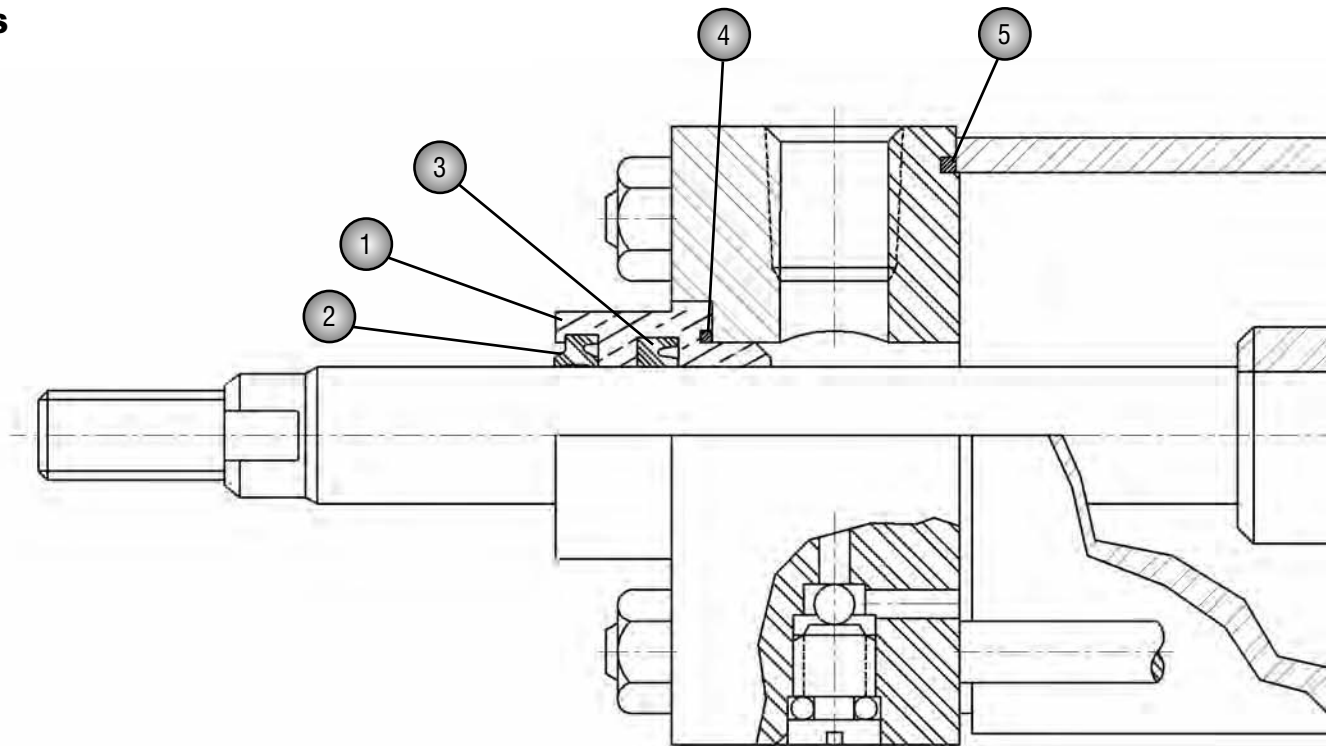
KITS

33

www.sealsonline.com

## A SERIES

### AIR CYLINDER



GLAND CARTRIDGE KITS-BOLTED BUSHING "STAR" SYSTEM (1-2-3-4)

Rod	Bore	Ref. Number	\$
0.625		RMFP-051/KR075/063	207.58
1.000		RMFP-051/KR075/100	250.37
1.375		RMFP-051/KR075/138	293.48
1.750		RMFP-051/KR075/175	318.04
2.000		RMFP-051/KR075/200	378.29
2.500		RMFP-051/KR075/250	519.39
3.000		RMFP-051/KR075/300	668.60
3.500		RMFP-051/KR075/350	896.71
4.000		RMFP-051/KR075/400	968.84
4.500		RMFP-051/KR075/450	1042.75
5.000		RMFP-051/KR075/500	1387.88
5.500		RMFP-051/KR075/550	1961.28

GLAND CARTRIDGE KITS - BOLTED BUSHING (1-2-3)

Rod	Bore	Ref. Number	\$
0.625		RMFP-051/KR011/063	94.22
1.000		RMFP-051/KR011/100	114.76
1.375		RMFP-051/KR011/138	141.58
1.750		RMFP-051/KR011/175	210.54
2.000		RMFP-051/KR011/200	225.00
2.500		RMFP-051/KR011/250	327.50
3.000		RMFP-051/KR011/300	393.07

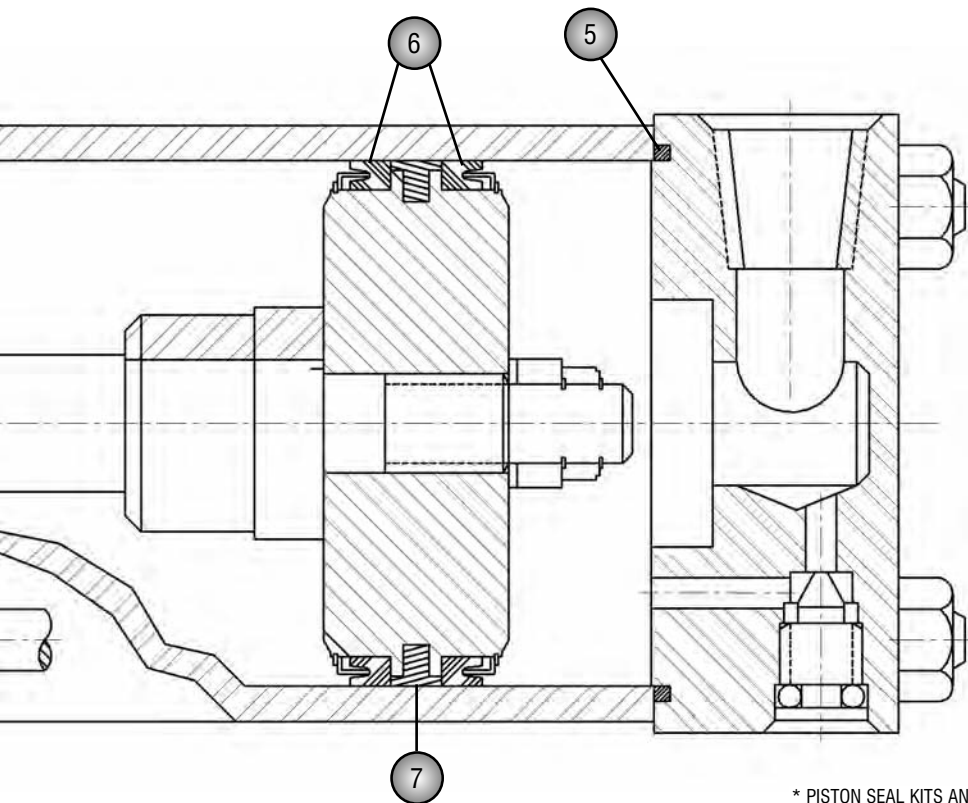
GLAND CARTRIDGE KITS-RETAINER HELD "STAR" SYSTEM (1-2-3-4)

Rod	Bore	Ref. Number	\$
0.625		RMFP-051/KR074/063	151.36
1.000		RMFP-051/KR074/100	188.29
1.375		RMFP-051/KR074/138	221.99
1.750		RMFP-051/KR074/175	O/R
2.000		RMFP-051/KR074/200	O/R
2.500		RMFP-051/KR074/250	O/R
3.000		RMFP-051/KR074/300	O/R
3.500		RMFP-051/KR074/350	O/R
4.000		RMFP-051/KR074/400	O/R
4.500		RMFP-051/KR074/450	O/R
5.000		RMFP-051/KR074/500	O/R
5.500		RMFP-051/KR074/550	O/R

GLAND CARTRIDGE KITS - RETAINER HELD (1-2-3)

Rod	Bore	Ref. Number	\$
0.625		RMFP-051/KR010/063	66.60
1.000		RMFP-051/KR010/100	83.15
1.375		RMFP-051/KR010/138	101.80
1.750		RMFP-051/KR010/175	149.53
2.000		RMFP-051/KR010/200	174.85
2.500		RMFP-051/KR010/250	251.60
3.000		RMFP-051/KR010/300	331.64

All manufacturer's names, part numbers and descriptions are used for reference purposes only. We do not imply that any part shown is the product of these manufacturers.



### COMPONENTS

- 1-GLAND CARTRIDGE
- 2-ROD WIPER
- 3-ROD SEAL
- 4-O-RING
- 5-TUBE END SEAL
- 6-PISTON SEAL
- 7-GUIDING ELEMENT

\* PISTON SEAL KITS AND TUBE END SEAL AVAILABLE ON REQUEST UP TO 20" DIAMETER.

#### ROD SEAL KITS - BOLTED BUSHING "STAR" SYSTEM (2-3-4)

Rod	Bore	Ref. Number	\$
0.625		RMFP-051/KR080/063	18.06
1.000		RMFP-051/KR080/100	31.82
1.375		RMFP-051/KR080/138	42.25
1.750		RMFP-051/KR080/175	52.41
2.000		RMFP-051/KR080/200	58.80
2.500		RMFP-051/KR080/250	70.20
3.000		RMFP-051/KR080/300	126.42
3.500		RMFP-051/KR080/350	135.50
4.000		RMFP-051/KR080/400	152.17
4.500		RMFP-051/KR080/450	172.05
5.000		RMFP-051/KR080/500	183.88
5.500		RMFP-051/KR080/550	287.40

#### PISTON SEAL KITS (5-6-7)\*

Rod	Bore	Ref. Number	\$
	1.500	RMFP-090/KB001/150	71.06
	2.000	RMFP-090/KB001/200	91.00
	2.500	RMFP-090/KB001/250	98.74
	3.250	RMFP-090/KB001/325	111.91
	4.000	RMFP-090/KB001/400	129.43
	5.000	RMFP-090/KB001/500	137.55
	6.000	RMFP-090/KB001/600	165.60
	7.000	RMFP-090/KB001/700	175.39
	8.000	RMFP-090/KB001/800	180.33
	10.000	RMFP-090/KB001/1000	202.32
	12.000	RMFP-090/KB001/1200	231.82
	14.000	RMFP-090/KB001/1400	0/R

#### ROD SEAL KITS (2-3)

Rod	Bore	Ref. Number	\$
0.625		RMFP-051/KR009/063	13.17
1.000		RMFP-051/KR009/100	16.50
1.375		RMFP-051/KR009/138	20.59
1.750		RMFP-051/KR009/175	25.59
2.000		RMFP-051/KR009/200	30.53
2.500		RMFP-051/KR009/250	45.63
3.000		RMFP-051/KR009/300	50.63

#### TUBE END SEALS - SOLID (5)\* (ALSO AVAILABLE AS A STRIP)

Rod	Bore	Ref. Number	\$
	1.500	RMFP-090/ES009/150	7.58
	2.000	RMFP-090/ES009/200	13.81
	2.500	RMFP-090/ES009/250	13.87
	3.250	RMFP-090/ES009/325	13.98
	4.000	RMFP-090/ES009/400	20.69
	5.000	RMFP-090/ES009/500	26.07
	6.000	RMFP-090/ES009/600	32.47
	7.000	RMFP-090/ES009/700	40.74
	8.000	RMFP-090/ES009/800	50.69
	10.000	RMFP-090/ES009/1000	60.47
	12.000	RMFP-090/ES009/1200	67.30
	14.000	RMFP-090/ES009/1400	0/R

All manufacturer's names, part numbers and descriptions are used for reference purposes only. We do not imply that any part shown is the product of these manufacturers.

Tel.: (780) 414-1871  
Fax: (780) 487-5419

**KITS 35**

[www.sealsonline.com](http://www.sealsonline.com)



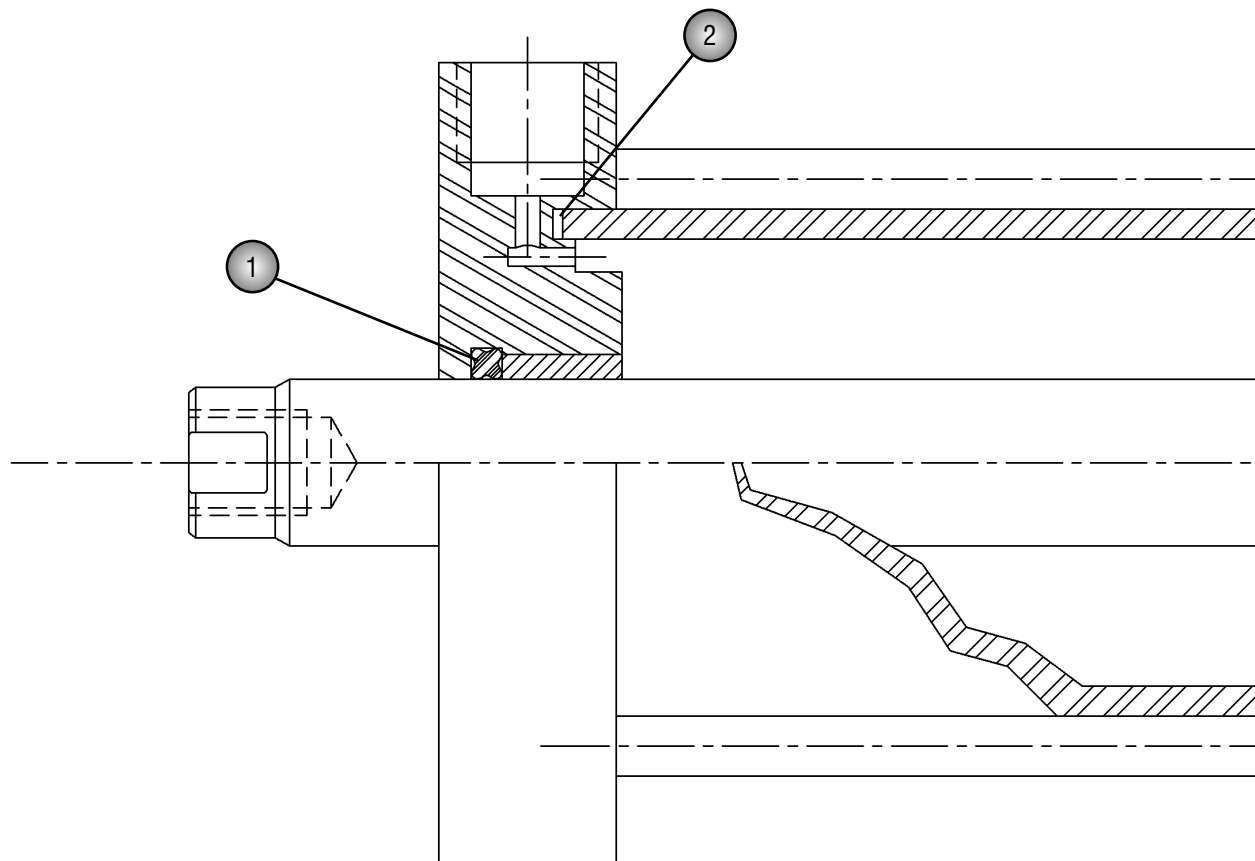
## B-Flat/B-Flat-M

S E R I E S

## AIR CYLINDER LIGHT DUTY

INDUSTRIAL  
SEAL KITS

MOBILE  
SEAL KITS



\* SINGLE ROD SEAL KITS CONTAIN SEALS TO REPAIR SINGLE AND DOUBLE ROD CYLINDERS.  
WHEN REPAIRING A SINGLE ROD CYLINDER, ONE ROD SEAL WILL NOT BE USED.

### “B-FLAT” COMPLETE SEAL KITS - NBR (1-2-3)\*

Rod	Bore	Ref. Number	\$
0.250	0.562	RMFP-030/CRK01/056	11.29
0.312	0.750	RMFP-030/CRK01/075	11.77
0.500	1.125	RMFP-030/CRK01/113	11.99
0.625	1.500	RMFP-030/CRK01/150	13.22
0.750	2.000	RMFP-030/CRK01/200	14.84
0.750	2.500	RMFP-030/CRK01/250	16.07
0.875	3.000	RMFP-030/CRK01/300	27.84
1.000	4.000	RMFP-030/CRK01/400	34.02

### “B-FLAT” COMPLETE SEAL KITS - FPM (1-2-3)\*

Rod	Bore	Ref. Number	\$
0.250	0.562	RMFP-030/CRK02/056	25.37
0.312	0.750	RMFP-030/CRK02/075	27.84
0.500	1.125	RMFP-030/CRK02/113	29.67
0.625	1.500	RMFP-030/CRK02/150	36.50
0.750	2.000	RMFP-030/CRK02/200	38.32
0.750	2.500	RMFP-030/CRK02/250	50.69
0.875	3.000	RMFP-030/CRK02/300	93.36
1.000	4.000	RMFP-030/CRK02/400	109.44

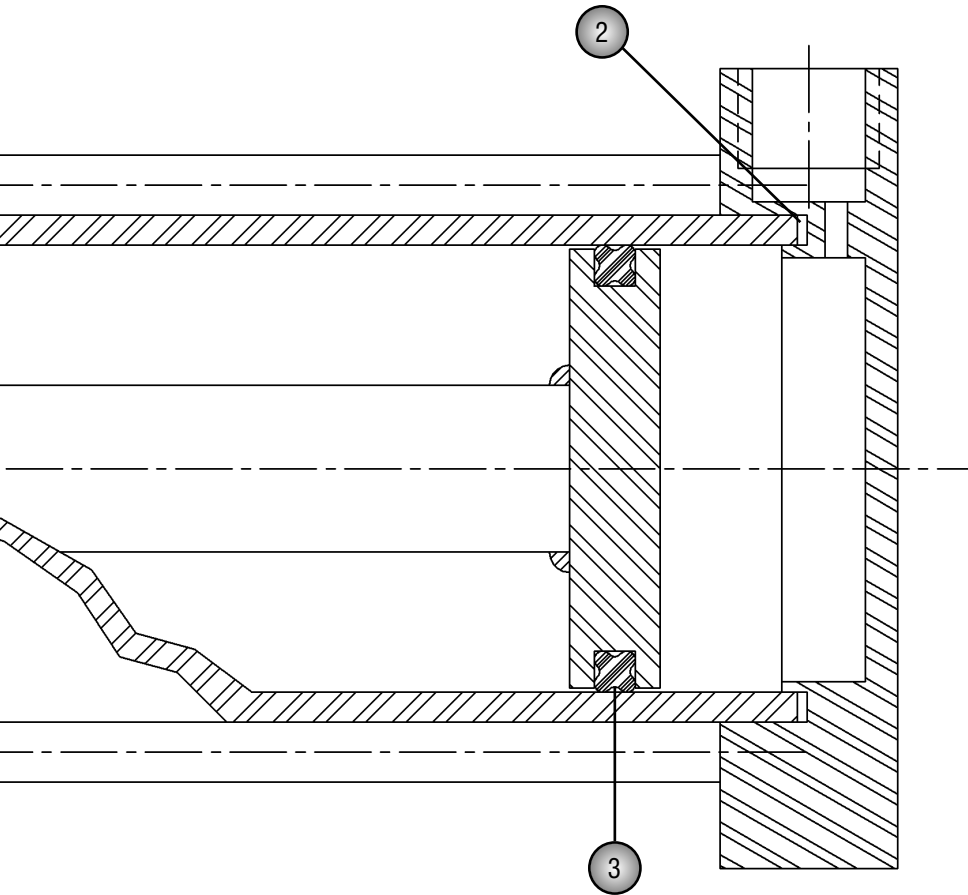
All manufacturer's names, part numbers and descriptions are used for reference purposes only. We do not imply that any part shown is the product of these manufacturers.

MILLER

## B-Flat/B-Flat-M S E R I E S

### COMPONENTS

- 1-ROD SEAL
- 2-TUBE END SEAL
- 3-PISTON SEAL



INDUSTRIAL  
SEAL KITS

MOBILE  
SEAL KITS

“B-FLAT-M” COMPLETE SEAL KITS - NBR (1-2-3)\*

Rod	Bore	Ref. Number	\$
0.250	0.562	RMFP-030/CRK03/056	34.62
0.312	0.750	RMFP-030/CRK03/075	35.26
0.500	1.125	RMFP-030/CRK03/113	38.97
0.625	1.500	RMFP-030/CRK03/150	40.80
0.750	2.000	RMFP-030/CRK03/200	43.27
0.750	2.500	RMFP-030/CRK03/250	35.26
0.875	3.000	RMFP-030/CRK03/300	51.33
1.000	4.000	RMFP-030/CRK03/400	56.28

“B-FLAT-M” COMPLETE SEAL KITS - FPM (1-2-3)\*

Rod	Bore	Ref. Number	\$
0.250	0.562	RMFP-030/CRK04/056	72.35
0.312	0.750	RMFP-030/CRK04/075	74.82
0.500	1.125	RMFP-030/CRK04/113	79.12
0.625	1.500	RMFP-030/CRK04/150	100.78
0.750	2.000	RMFP-030/CRK04/200	126.10
0.750	2.500	RMFP-030/CRK04/250	140.93
0.875	3.000	RMFP-030/CRK04/300	222.53
1.000	4.000	RMFP-030/CRK04/400	248.49

All manufacturer's names, part numbers and descriptions are used for reference purposes only. We do not imply that any part shown is the product of these manufacturers.

Tel.: (403) 279-1871  
Fax: (403) 279-1821

**KITS**

**37**

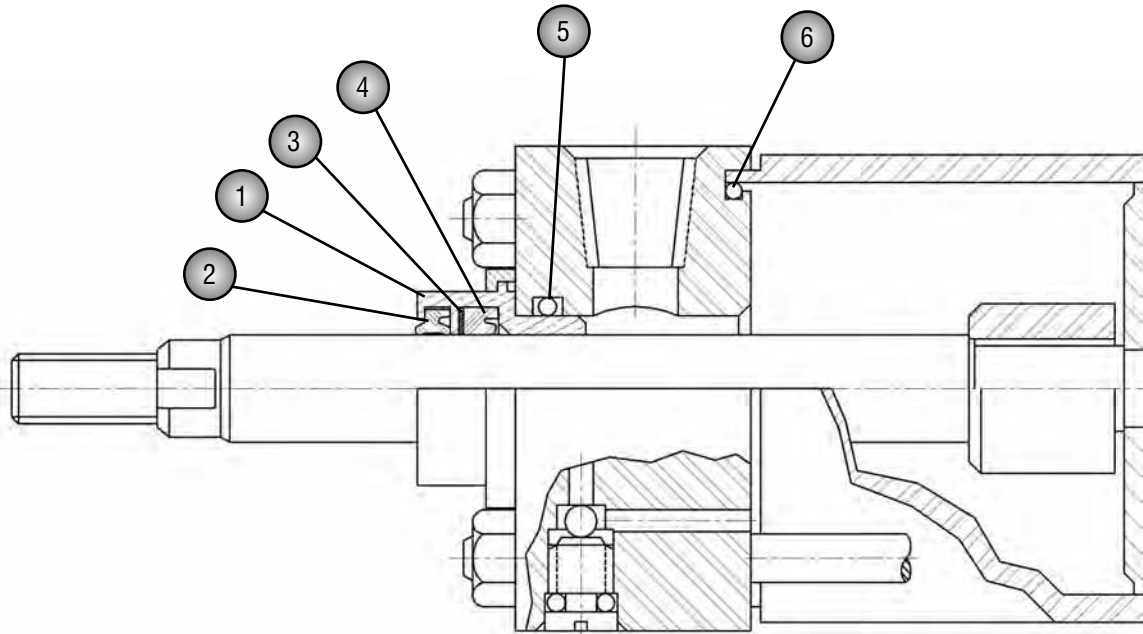
[www.sealsonline.com](http://www.sealsonline.com)

**MILLER**

## JV AIR CYLINDER SERIES MEDIUM DUTY

INDUSTRIAL  
SEAL KITS

MOBILE  
SEAL KITS



### GLAND CARTRIDGE KITS - NBR (1-2-4-5)

Rod	Bore	Ref. Number	\$
0.500		RMFP-JV/KR100/050	O/R
0.625		RMFP-JV/KR100/063	O/R
1.000		RMFP-JV/KR100/100	O/R
1.375		RMFP-JV/KR100/138	O/R
1.750		RMFP-JV/KR100/175	O/R
2.000		RMFP-JV/KR100/200	O/R
2.500		RMFP-JV/KR100/250	O/R
3.000		RMFP-JV/KR100/300	O/R
3.500		RMFP-JV/KR100/350	O/R
4.000		RMFP-JV/KR100/400	O/R
4.500		RMFP-JV/KR100/450	O/R
5.000		RMFP-JV/KR100/500	O/R
5.500		RMFP-JV/KR100/550	O/R

### ROD SEAL KITS - NBR (2-4-5)

Rod	Bore	Ref. Number	\$
0.500		RMFP-JV/KR300/050	25.75
0.625		RMFP-JV/KR300/063	26.18
1.000		RMFP-JV/KR300/100	27.41
1.375		RMFP-JV/KR300/138	28.11
1.750		RMFP-JV/KR300/175	33.70
2.000		RMFP-JV/KR300/200	39.45
2.500		RMFP-JV/KR300/250	42.46
3.000		RMFP-JV/KR300/300	56.28
3.500		RMFP-JV/KR300/350	63.16
4.000		RMFP-JV/KR300/400	74.77
4.500		RMFP-JV/KR300/450	80.46
5.000		RMFP-JV/KR300/500	89.44
5.500		RMFP-JV/KR300/550	94.76

### GLAND CARTRIDGE KITS - FPM (1-2-3-4-5)

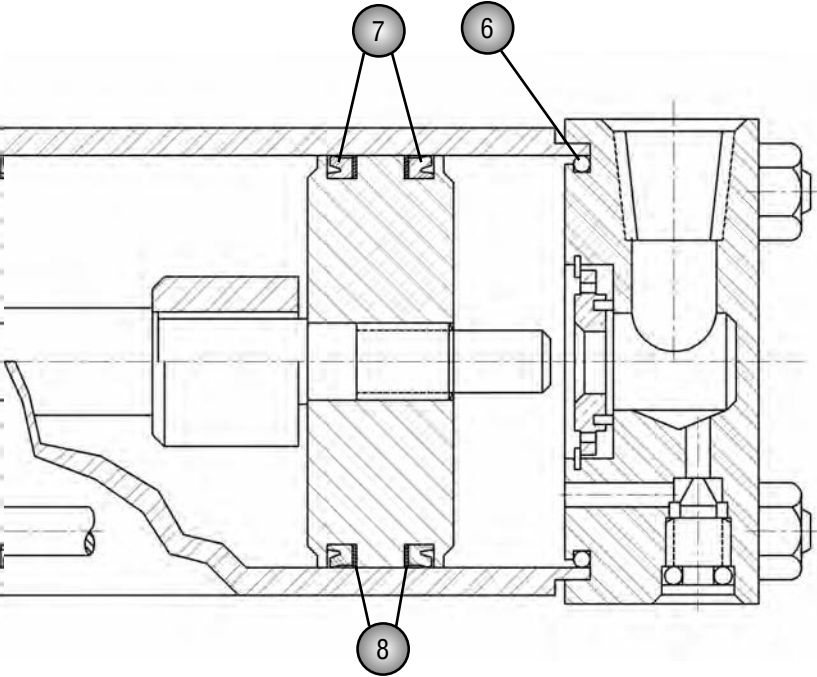
Rod	Bore	Ref. Number	\$
0.500		RMFP-JV/KR200/050	O/R
0.625		RMFP-JV/KR200/063	O/R
1.000		RMFP-JV/KR200/100	O/R
1.375		RMFP-JV/KR200/138	O/R
1.750		RMFP-JV/KR200/175	O/R
2.000		RMFP-JV/KR200/200	O/R
2.500		RMFP-JV/KR200/250	O/R
3.000		RMFP-JV/KR200/300	O/R
3.500		RMFP-JV/KR200/350	O/R
4.000		RMFP-JV/KR200/400	O/R
4.500		RMFP-JV/KR200/450	O/R
5.000		RMFP-JV/KR200/500	O/R
5.500		RMFP-JV/KR200/550	O/R

### ROD SEAL KITS - FPM (2-3-4-5)

Rod	Bore	Ref. Number	\$
0.500		RMFP-JV/KR400/050	33.06
0.625		RMFP-JV/KR400/063	37.52
1.000		RMFP-JV/KR400/100	37.63
1.375		RMFP-JV/KR400/138	39.13
1.750		RMFP-JV/KR400/175	41.44
2.000		RMFP-JV/KR400/200	44.72
2.500		RMFP-JV/KR400/250	53.11
3.000		RMFP-JV/KR400/300	62.57
3.500		RMFP-JV/KR400/350	81.49
4.000		RMFP-JV/KR400/400	118.95
4.500		RMFP-JV/KR400/450	146.31
5.000		RMFP-JV/KR400/500	188.88
5.500		RMFP-JV/KR400/550	235.64

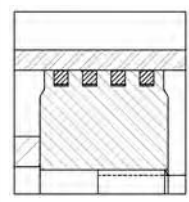
All manufacturer's names, part numbers and descriptions are used for reference purposes only. We do not imply that any part shown is the product of these manufacturers.

MILLER



### OPTIONS

### Piston Ring



### COMPONENTS

- 1-GLAND CARTRIDGE
- 2-ROD WIPER
- 3-BACK UP RING
- 4-ROD SEAL
- 5-O-RING
- 6-O-RING - END SEAL
- 7-PISTON SEAL
- 8-BACK UP RING

### PISTON SEAL KITS - NBR (6-7-8)

Rod	Bore	Ref. Number	\$
	1.000	RMFP-JV/KB100/100	8.01
	1.500	RMFP-JV/KB100/150	9.46
	2.000	RMFP-JV/KB100/200	11.13
	2.500	RMFP-JV/KB100/250	12.85
	3.250	RMFP-JV/KB100/325	15.96
	4.000	RMFP-JV/KB100/400	20.96
	5.000	RMFP-JV/KB100/500	24.46
	6.000	RMFP-JV/KB100/600	31.82
	8.000	RMFP-JV/KB100/800	92.24

### PISTON RING KITS - NBR (OPTIONAL)

Rod	Bore	Ref. Number	\$
	1.000	RMFP-JV/KB300/100	70.36
	1.500	RMFP-JV/KB300/150	39.35
	2.000	RMFP-JV/KB300/200	41.98
	2.500	RMFP-JV/KB300/250	42.46
	3.250	RMFP-JV/KB300/325	45.90
	4.000	RMFP-JV/KB300/400	47.25
	5.000	RMFP-JV/KB300/500	62.24
	6.000	RMFP-JV/KB300/600	93.58
	8.000	RMFP-JV/KB300/800	159.80

### PISTON SEAL KITS - FPM (6-7-8)

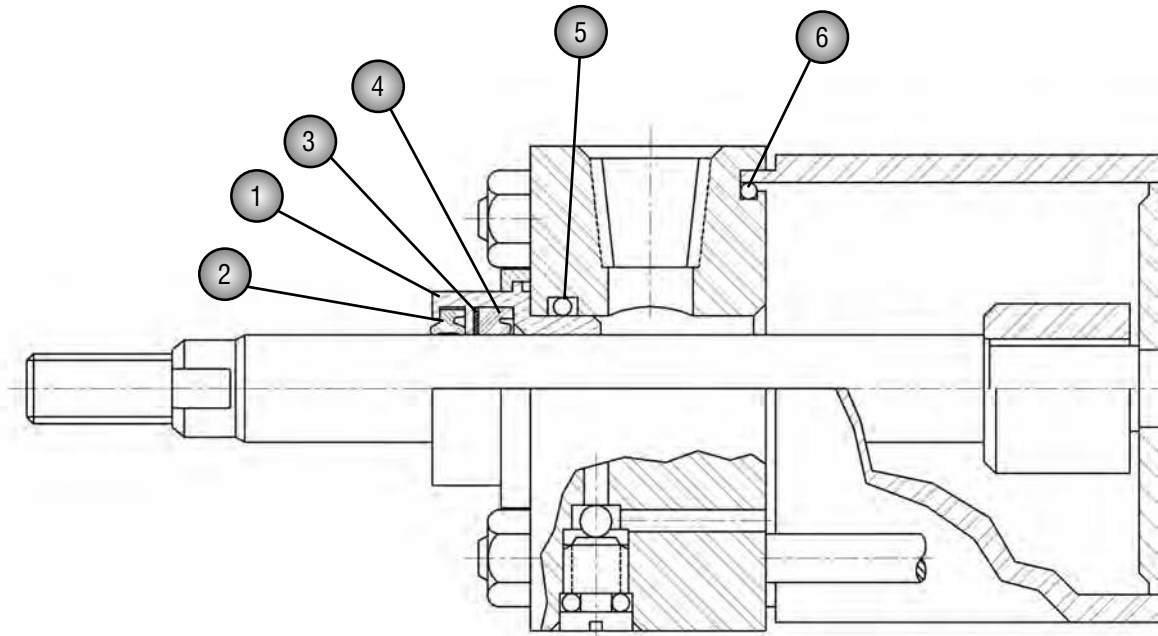
Rod	Bore	Ref. Number	\$
	1.000	RMFP-JV/KB200/100	30.42
	1.500	RMFP-JV/KB200/150	42.89
	2.000	RMFP-JV/KB200/200	48.97
	2.500	RMFP-JV/KB200/250	68.69
	3.250	RMFP-JV/KB200/325	80.14
	4.000	RMFP-JV/KB200/400	86.38
	5.000	RMFP-JV/KB200/500	109.60
	6.000	RMFP-JV/KB200/600	145.66
	8.000	RMFP-JV/KB200/800	315.73

### PISTON RING KITS - FPM (OPTIONAL)

Rod	Bore	Ref. Number	\$
	1.000	RMFP-JV/KB400/100	71.49
	1.500	RMFP-JV/KB400/150	45.58
	2.000	RMFP-JV/KB400/200	47.25
	2.500	RMFP-JV/KB400/250	47.89
	3.250	RMFP-JV/KB400/325	57.08
	4.000	RMFP-JV/KB400/400	58.16
	5.000	RMFP-JV/KB400/500	82.45
	6.000	RMFP-JV/KB400/600	99.81
	8.000	RMFP-JV/KB400/800	170.50

All manufacturer's names, part numbers and descriptions are used for reference purposes only. We do not imply that any part shown is the product of these manufacturers.

## **JV** AIR CYLINDER SERIES MEDIUM DUTY



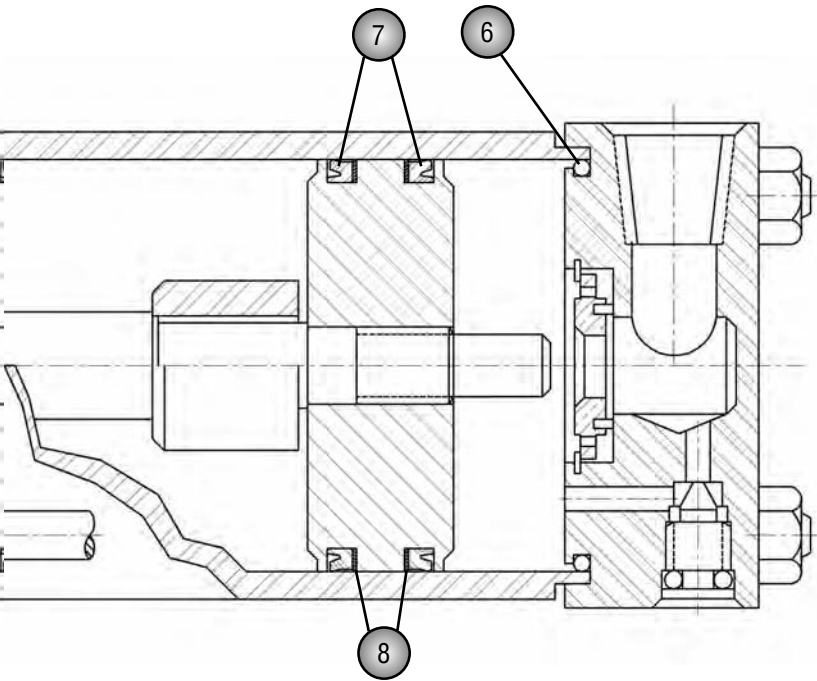
### CYLINDER BODY END KITS - NBR (6)

Rod	Bore	Ref. Number	\$
	1.000	RMFP-JV/ES100/100	5.81
	1.500	RMFP-JV/ES100/150	5.91
	2.000	RMFP-JV/ES100/200	6.24
	2.500	RMFP-JV/ES100/250	6.56
	3.250	RMFP-JV/ES100/325	6.88
	4.000	RMFP-JV/ES100/400	7.15
	5.000	RMFP-JV/ES100/500	8.28
	6.000	RMFP-JV/ES100/600	9.84
	8.000	RMFP-JV/ES100/800	11.99

### CYLINDER BODY END KITS - FPM (6)

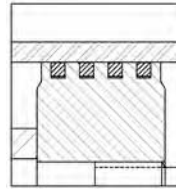
Rod	Bore	Ref. Number	\$
	1.000	RMFP-JV/ES200/100	8.12
	1.500	RMFP-JV/ES200/150	9.35
	2.000	RMFP-JV/ES200/200	13.87
	2.500	RMFP-JV/ES200/250	17.42
	3.250	RMFP-JV/ES200/325	21.02
	4.000	RMFP-JV/ES200/400	26.28
	5.000	RMFP-JV/ES200/500	37.95
	6.000	RMFP-JV/ES200/600	39.67
	8.000	RMFP-JV/ES200/800	68.69

All manufacturer's names, part numbers and descriptions are used for reference purposes only. We do not imply that any part shown is the product of these manufacturers.



### OPTIONS

#### Piston Ring



### COMPONENTS

- 1-GLAND CARTRIDGE
- 2-ROD WIPER
- 3-BACK UP RING
- 4-ROD SEAL
- 5-O-RING
- 6-O-RING - END SEAL
- 7-PISTON SEAL
- 8-BACK UP RING

**MILLER INDIVIDUAL PARTS  
ARE LISTED ON  
PAGES 52 TO 55**

All manufacturer's names, part numbers and descriptions are used for reference purposes only. We do not imply that any part shown is the product of these manufacturers.

**Tel.: (418) 688-3202  
Fax: (418) 688-4272**

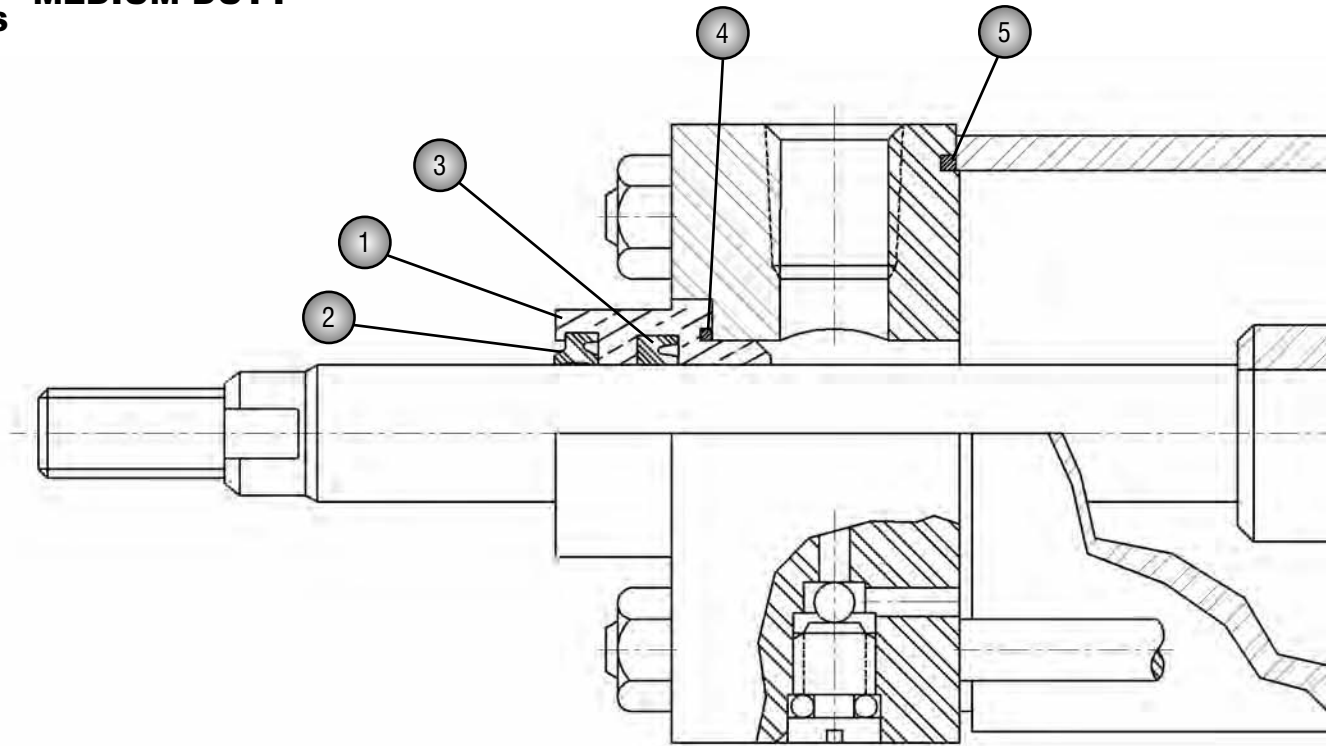
**KITS**

**41**

**www.sealonline.com**

## J SERIES

### HYDRAULIC CYLINDER MEDIUM DUTY



GLAND CARTRIDGE KITS-BOLTED BUSHING "STAR" SYSTEM (1-2-3-4)      GLAND CARTRIDGE KITS - BOLTED BUSHING

Rod	Bore	Ref. Number	\$
0.625		RMFP-051/KR075/063	207.58
1.000		RMFP-051/KR075/100	250.37
1.375		RMFP-051/KR075/138	293.48
1.750		RMFP-051/KR075/175	318.04
2.000		RMFP-051/KR075/200	378.29
2.500		RMFP-051/KR075/250	519.39
3.000		RMFP-051/KR075/300	668.60
3.500		RMFP-051/KR075/350	896.71
4.000		RMFP-051/KR075/400	968.84
4.500		RMFP-051/KR075/450	1042.75
5.000		RMFP-051/KR075/500	1387.88
5.500		RMFP-051/KR075/550	1961.28

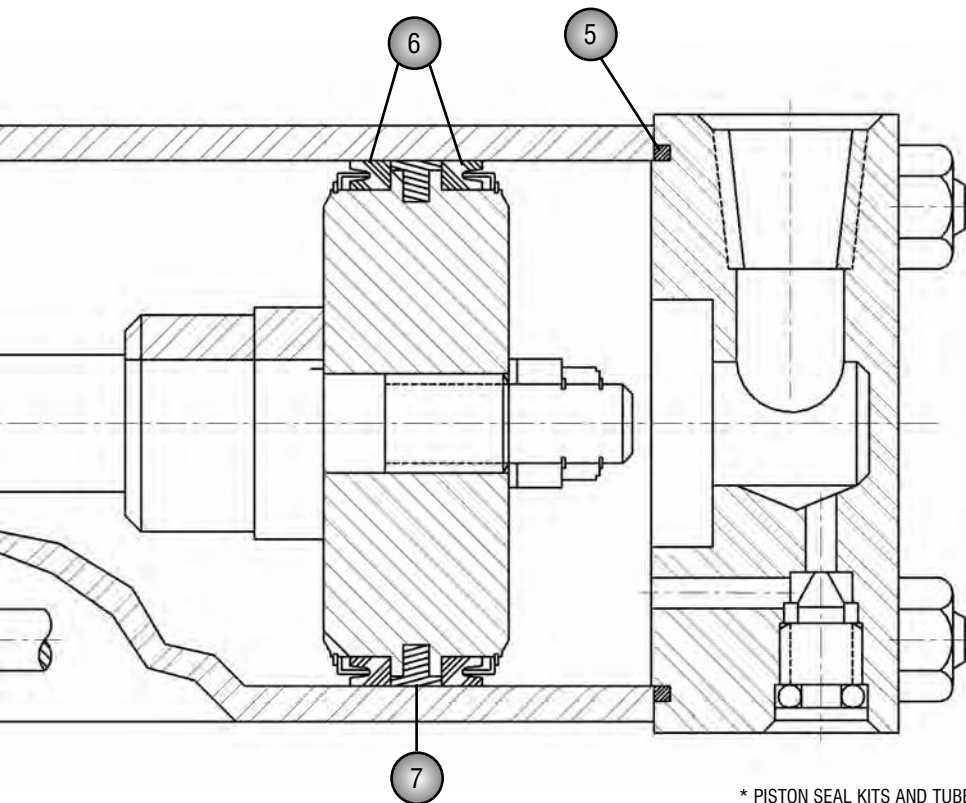
Rod	Bore	Ref. Number	\$
0.625		RMFP-051/KR015/063	147.54
1.000		RMFP-051/KR015/100	177.64
1.375		RMFP-051/KR015/138	219.89
1.750		RMFP-051/KR015/175	279.93
2.000		RMFP-051/KR015/200	332.28
2.500		RMFP-051/KR015/250	429.68
3.000		RMFP-051/KR015/300	536.53

GLAND CARTRIDGE KITS-RETAINER HELD "STAR" SYSTEM (1-2-3-4)      GLAND CARTRIDGE KITS - RETAINER HELD

Rod	Bore	Ref. Number	\$
0.625		RMFP-051/KR074/063	151.36
1.000		RMFP-051/KR074/100	188.29
1.375		RMFP-051/KR074/138	221.99
1.750		RMFP-051/KR074/175	O/R
2.000		RMFP-051/KR074/200	O/R
2.500		RMFP-051/KR074/250	O/R
3.000		RMFP-051/KR074/300	O/R
3.500		RMFP-051/KR074/350	O/R
4.000		RMFP-051/KR074/400	O/R
4.500		RMFP-051/KR074/450	O/R
5.000		RMFP-051/KR074/500	O/R
5.500		RMFP-051/KR074/550	O/R

Rod	Bore	Ref. Number	\$
0.625		RMFP-051/KR014/063	117.55
1.000		RMFP-051/KR014/100	147.17
1.375		RMFP-051/KR014/138	180.87
1.750		RMFP-051/KR014/175	245.05
2.000		RMFP-051/KR014/200	295.68
2.500		RMFP-051/KR014/250	367.92
3.000		RMFP-051/KR014/300	486.01

All manufacturer's names, part numbers and descriptions are used for reference purposes only. We do not imply that any part shown is the product of these manufacturers.



### COMPONENTS

- 1-GLAND CARTRIDGE
- 2-ROD WIPER
- 3-ROD SEAL
- 4-O-RING
- 5-TUBE END SEAL
- 6-PISTON SEAL
- 7-GUIDING ELEMENT

\* PISTON SEAL KITS AND TUBE END SEALS ARE AVAILABLE ON REQUEST UP TO 20" DIAMETER.

#### ROD SEAL KITS - BOLTED BUSHING "STAR" SYSTEM (2-3-4)

Rod	Bore	Ref. Number	\$
0.625		RMFP-051/KR080/063	18.06
1.000		RMFP-051/KR080/100	31.82
1.375		RMFP-051/KR080/138	42.25
1.750		RMFP-051/KR080/175	52.41
2.000		RMFP-051/KR080/200	58.80
2.500		RMFP-051/KR080/250	70.20
3.000		RMFP-051/KR080/300	126.42
3.500		RMFP-051/KR080/350	135.50
4.000		RMFP-051/KR080/400	152.17
4.500		RMFP-051/KR080/450	172.05
5.000		RMFP-051/KR080/500	183.88
5.500		RMFP-051/KR080/550	287.40

#### PISTON SEAL KITS (5-6-7)\*

Rod	Bore	Ref. Number	\$
	1.500	RMFP-091/KB001/150	81.86
	2.000	RMFP-091/KB001/200	82.35
	2.500	RMFP-091/KB001/250	95.84
	3.250	RMFP-091/KB001/325	125.72
	4.000	RMFP-091/KB001/400	138.35
	5.000	RMFP-091/KB001/500	194.63
	6.000	RMFP-091/KB001/600	207.96
	7.000	RMFP-091/KB001/700	214.30
	8.000	RMFP-091/KB001/800	230.80
	10.000	RMFP-091/KB001/1000	257.52
	12.000	RMFP-091/KB001/1200	327.23
	14.000	RMFP-091/KB001/1400	0/R

#### ROD SEAL KITS - BOLTED & RETAINER HELD BUSHING

Rod	Bore	Ref. Number	\$
0.625		RMFP-051/KR012/063	67.24
1.000		RMFP-051/KR012/100	80.46
1.375		RMFP-051/KR012/138	99.65
1.750		RMFP-051/KR012/175	120.99
2.000		RMFP-051/KR012/200	141.26
2.500		RMFP-051/KR012/250	175.87
3.000		RMFP-051/KR012/300	235.48

#### TUBE END SEALS - SOLID (5)\* (ALSO AVAILABLE AS A STRIP)

Rod	Bore	Ref. Number	\$
	1.500	RMFP-090/ES009/150	7.58
	2.000	RMFP-090/ES009/200	13.81
	2.500	RMFP-090/ES009/250	13.87
	3.250	RMFP-090/ES009/325	13.98
	4.000	RMFP-090/ES009/400	20.69
	5.000	RMFP-090/ES009/500	26.07
	6.000	RMFP-090/ES009/600	32.47
	7.000	RMFP-090/ES009/700	40.74
	8.000	RMFP-090/ES009/800	50.69
	10.000	RMFP-090/ES009/1000	60.47
	12.000	RMFP-090/ES009/1200	67.30
	14.000	RMFP-090/ES009/1400	0/R

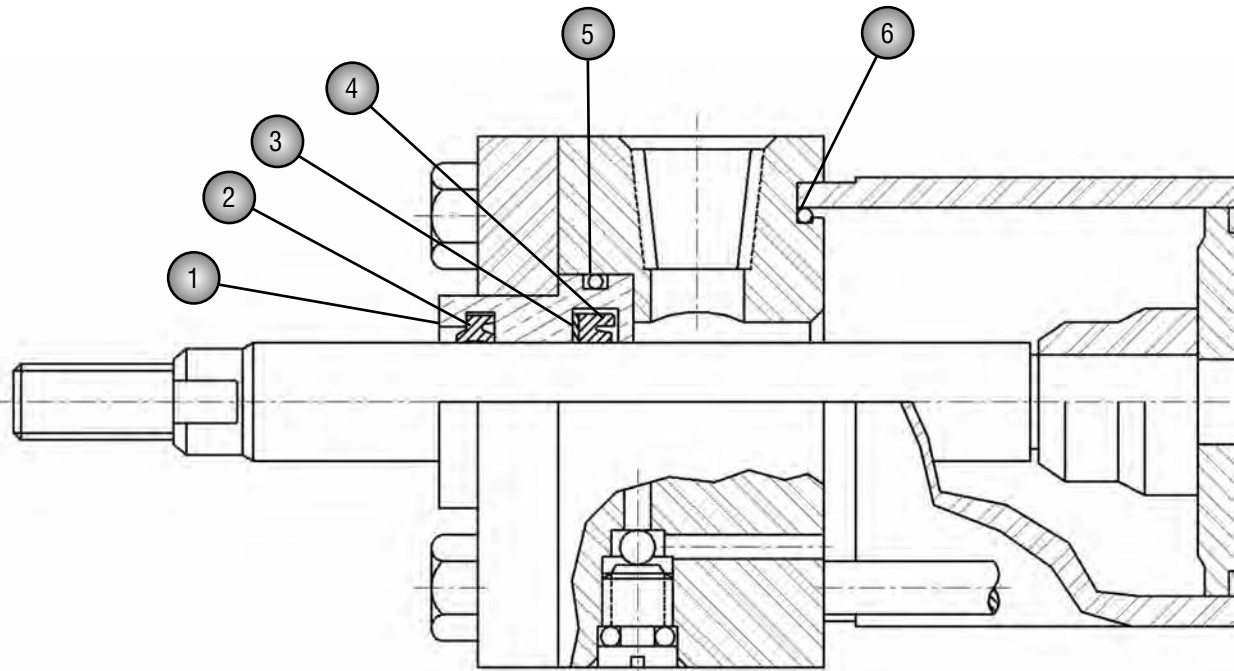
All manufacturer's names, part numbers and descriptions are used for reference purposes only. We do not imply that any part shown is the product of these manufacturers.



## HV2 HYDRAULIC CYLINDER SERIES HEAVY DUTY

INDUSTRIAL  
SEAL KITS

MOBILE  
SEAL KITS



GLAND CARTRIDGE KITS - NBR (1-2-3-4-5)

Rod	Bore	Ref. Number	\$
0.625		RMFP-HV2/KR100/063	O/R
1.000		RMFP-HV2/KR100/100	O/R
1.375		RMFP-HV2/KR100/138	O/R
1.750		RMFP-HV2/KR100/175	O/R
2.000		RMFP-HV2/KR100/200	O/R
2.500		RMFP-HV2/KR100/250	O/R
3.000		RMFP-HV2/KR100/300	O/R
3.500		RMFP-HV2/KR100/350	O/R
4.000		RMFP-HV2/KR100/400	O/R

ROD SEAL KITS - NBR (2-4-5)

Rod	Bore	Ref. Number	\$
0.625		RMFP-HV2/KR300/063	27.25
1.000		RMFP-HV2/KR300/100	28.49
1.375		RMFP-HV2/KR300/138	29.19
1.750		RMFP-HV2/KR300/175	34.78
2.000		RMFP-HV2/KR300/200	40.53
2.500		RMFP-HV2/KR300/250	43.54
3.000		RMFP-HV2/KR300/300	57.35
3.500		RMFP-HV2/KR300/350	64.23
4.000		RMFP-HV2/KR300/400	75.84

GLAND CARTRIDGE KITS - FPM (1-2-4-5)

Rod	Bore	Ref. Number	\$
0.625		RMFP-HV2/KR200/063	O/R
1.000		RMFP-HV2/KR200/100	O/R
1.375		RMFP-HV2/KR200/138	O/R
1.750		RMFP-HV2/KR200/175	O/R
2.000		RMFP-HV2/KR200/200	O/R
2.500		RMFP-HV2/KR200/250	O/R
3.000		RMFP-HV2/KR200/300	O/R
3.500		RMFP-HV2/KR200/350	O/R
4.000		RMFP-HV2/KR200/400	O/R

ROD SEAL KITS - FPM (2-3-4-5)

Rod	Bore	Ref. Number	\$
0.625		RMFP-HV2/KR400/063	37.52
1.000		RMFP-HV2/KR400/100	39.78
1.375		RMFP-HV2/KR400/138	41.28
1.750		RMFP-HV2/KR400/175	43.59
2.000		RMFP-HV2/KR400/200	46.87
2.500		RMFP-HV2/KR400/250	55.26
3.000		RMFP-HV2/KR400/300	64.72
3.500		RMFP-HV2/KR400/350	83.64
4.000		RMFP-HV2/KR400/400	121.10

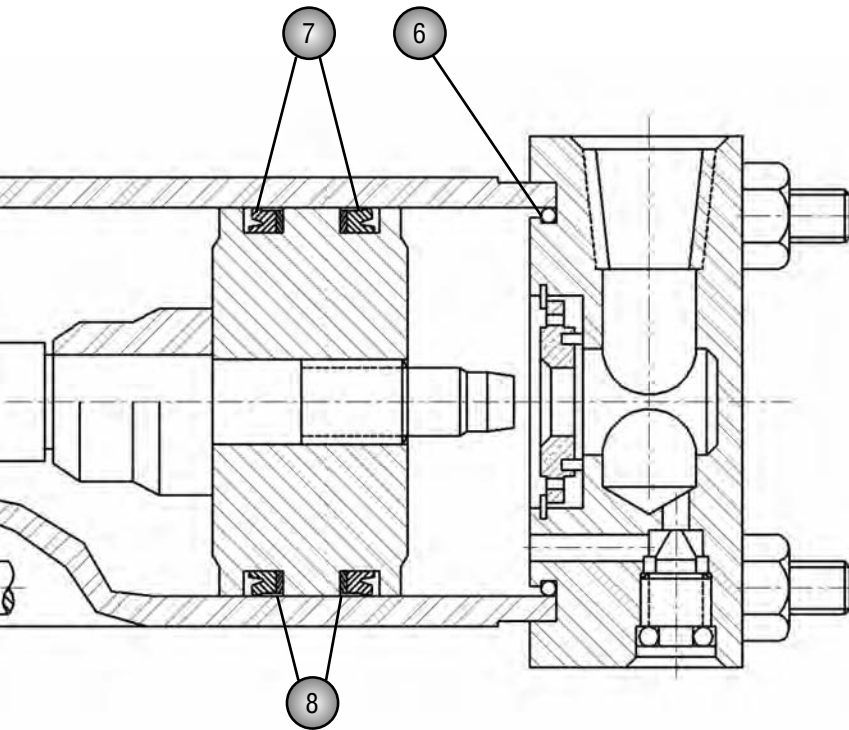
All manufacturer's names, part numbers and descriptions are used for reference purposes only. We do not imply that any part shown is the product of these manufacturers.

MILLER

## HV2 SERIES

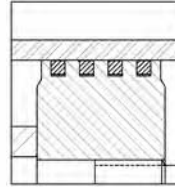
INDUSTRIAL  
SEAL KITS

MOBILE  
SEAL KITS



### OPTIONS

#### Piston Ring



### COMPONENTS

- 1-GLAND CARTRIDGE
- 2-ROD WIPER
- 3-BACK UP RING
- 4-ROD SEAL
- 5-O-RING & B.UP RING
- 6-O-RING - END SEAL
- 7-PISTON SEAL
- 8-BACK UP RING

#### PISTON SEAL KITS - NBR (6-7-8)

Rod	Bore	Ref. Number	\$
	1.500	RMFP-HV2/KB100/150	9.46
	2.000	RMFP-HV2/KB100/200	11.13
	2.500	RMFP-HV2/KB100/250	12.85
	3.250	RMFP-HV2/KB100/325	15.96
	4.000	RMFP-HV2/KB100/400	20.96
	5.000	RMFP-HV2/KB100/500	24.46
	6.000	RMFP-HV2/KB100/600	31.82

#### PISTON RING KITS - NBR (OPTIONAL)

Rod	Bore	Ref. Number	\$
	1.500	RMFP-HV2/KB300/150	39.35
	2.000	RMFP-HV2/KB300/200	41.98
	2.500	RMFP-HV2/KB300/250	42.46
	3.250	RMFP-HV2/KB300/325	45.90
	4.000	RMFP-HV2/KB300/400	47.25
	5.000	RMFP-HV2/KB300/500	62.24
	6.000	RMFP-HV2/KB300/600	93.58

#### PISTON SEAL KITS - FPM (6-7-8)

Rod	Bore	Ref. Number	\$
	1.500	RMFP-HV2/KB200/150	42.89
	2.000	RMFP-HV2/KB200/200	48.97
	2.500	RMFP-HV2/KB200/250	68.69
	3.250	RMFP-HV2/KB200/325	80.14
	4.000	RMFP-HV2/KB200/400	86.38
	5.000	RMFP-HV2/KB200/500	O/R
	6.000	RMFP-HV2/KB200/600	O/R
	8.000	RMFP-HV2/KB200/800	O/R

#### PISTON RING KITS - FPM (OPTIONAL)

Rod	Bore	Ref. Number	\$
	1.500	RMFP-HV2/KB400/150	45.58
	2.000	RMFP-HV2/KB400/200	47.25
	2.500	RMFP-HV2/KB400/250	47.89
	3.250	RMFP-HV2/KB400/325	57.08
	4.000	RMFP-HV2/KB400/400	58.16
	5.000	RMFP-HV2/KB400/500	82.45
	6.000	RMFP-HV2/KB400/600	99.81

All manufacturer's names, part numbers and descriptions are used for reference purposes only. We do not imply that any part shown is the product of these manufacturers.

Tel.: (905) 362-0889  
Fax: (888) 238-1664

KITS

45

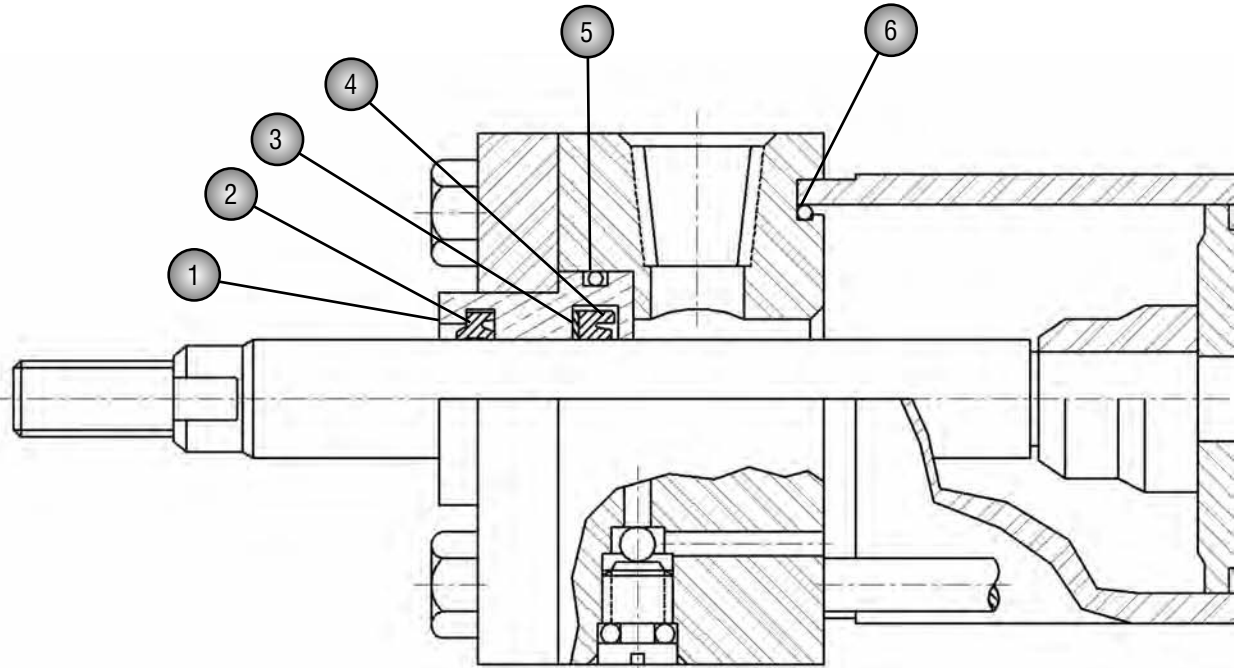
www.sealsonline.com

MILLER

## HV2 HYDRAULIC CYLINDER SERIES HEAVY DUTY

INDUSTRIAL  
SEAL KITS

MOBILE  
SEAL KITS



### CYLINDER BODY END KITS - NBR (6)

Rod	Bore	Ref. Number	\$
	1.500	RMFP-HV2/ES100/150	5.91
	2.000	RMFP-HV2/ES100/200	6.24
	2.500	RMFP-HV2/ES100/250	6.56
	3.250	RMFP-HV2/ES100/325	6.88
	4.000	RMFP-HV2/ES100/400	7.15
	5.000	RMFP-HV2/ES100/500	8.28
	6.000	RMFP-HV2/ES100/600	9.84

### CYLINDER BODY END KITS - FPM (6)

Rod	Bore	Ref. Number	\$
	1.500	RMFP-HV2/ES200/150	9.35
	2.000	RMFP-HV2/ES200/200	13.87
	2.500	RMFP-HV2/ES200/250	17.42
	3.250	RMFP-HV2/ES200/325	21.02
	4.000	RMFP-HV2/ES200/400	26.28
	5.000	RMFP-HV2/ES200/500	37.95
	6.000	RMFP-HV2/ES200/600	39.67

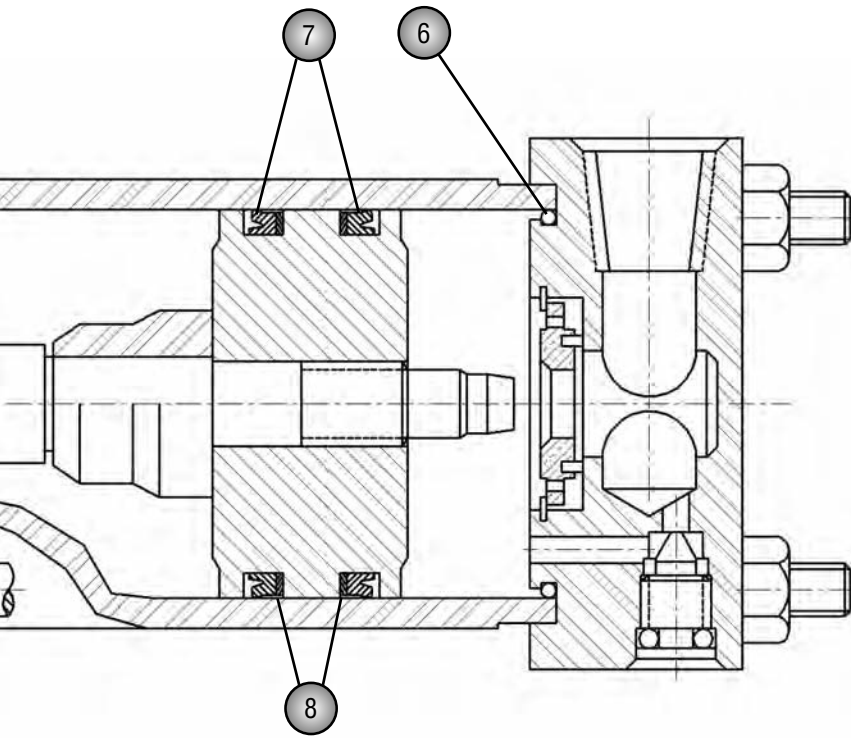
All manufacturer's names, part numbers and descriptions are used for reference purposes only. We do not imply that any part shown is the product of these manufacturers.

MILLER

# HV2 SERIES

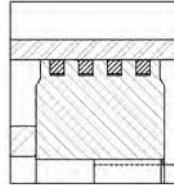
INDUSTRIAL  
SEAL KITS

MOBILE  
SEAL KITS



### OPTIONS

#### Piston Ring



### COMPONENTS

- 1-GLAND CARTRIDGE
- 2-ROD WIPER
- 3-BACK UP RING
- 4-ROD SEAL
- 5-O-RING & B.UP RING
- 6-O-RING - END SEAL
- 7-PISTON SEAL
- 8-BACK UP RING

**MILLER INDIVIDUAL PARTS  
ARE LISTED ON  
PAGES 52 TO 55**

MILLER

All manufacturer's names, part numbers and descriptions are used for reference purposes only. We do not imply that any part shown is the product of these manufacturers.

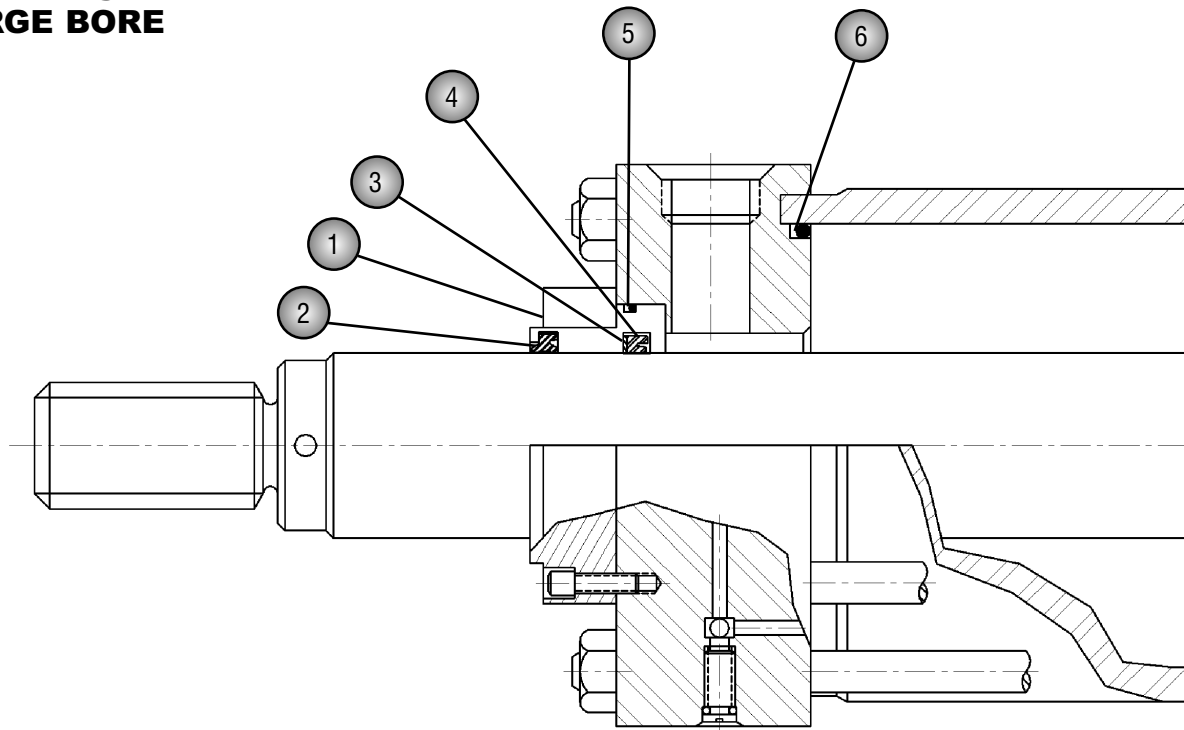
**Tel.: (204) 783-9617**  
**Fax: (204) 783-6091**

**KITS**

**47**

**www.sealsonline.com**

## HV2 HYDRAULIC CYLINDER SERIES HEAVY DUTY LARGE BORE



### GLAND CARTRIDGE KITS - NBR (1-2-3-4-5)

Rod	Bore	Ref. Number	\$
3.000		RMFP-HV2/KR108/300	O/R
3.500		RMFP-HV2/KR108/350	O/R
4.000		RMFP-HV2/KR108/400	O/R
5.000		RMFP-HV2/KR108/500	O/R
5.500		RMFP-HV2/KR108/550	O/R

### ROD SEAL KITS - NBR (2-4-5)

Rod	Bore	Ref. Number	\$
3.000		RMFP-HV2/KR308/300	57.35
3.500		RMFP-HV2/KR308/350	64.23
4.000		RMFP-HV2/KR308/400	75.84
5.000		RMFP-HV2/KR308/500	90.52
5.500		RMFP-HV2/KR308/550	95.84

### GLAND CARTRIDGE KITS - FPM (1-2-3-4-5)

Rod	Bore	Ref. Number	\$
3.000		RMFP-HV2/KR208/300	O/R
3.500		RMFP-HV2/KR208/350	O/R
4.000		RMFP-HV2/KR208/400	O/R
5.000		RMFP-HV2/KR208/500	O/R
5.500		RMFP-HV2/KR208/550	O/R

### ROD SEAL KITS - FPM (2-3-4-5)

Rod	Bore	Ref. Number	\$
3.000		RMFP-HV2/KR408/300	64.72
3.500		RMFP-HV2/KR408/350	83.64
4.000		RMFP-HV2/KR408/400	121.10
5.000		RMFP-HV2/KR408/500	191.03
5.500		RMFP-HV2/KR408/550	237.79

All manufacturer's names, part numbers and descriptions are used for reference purposes only. We do not imply that any part shown is the product of these manufacturers.

INDUSTRIAL  
SEAL KITS

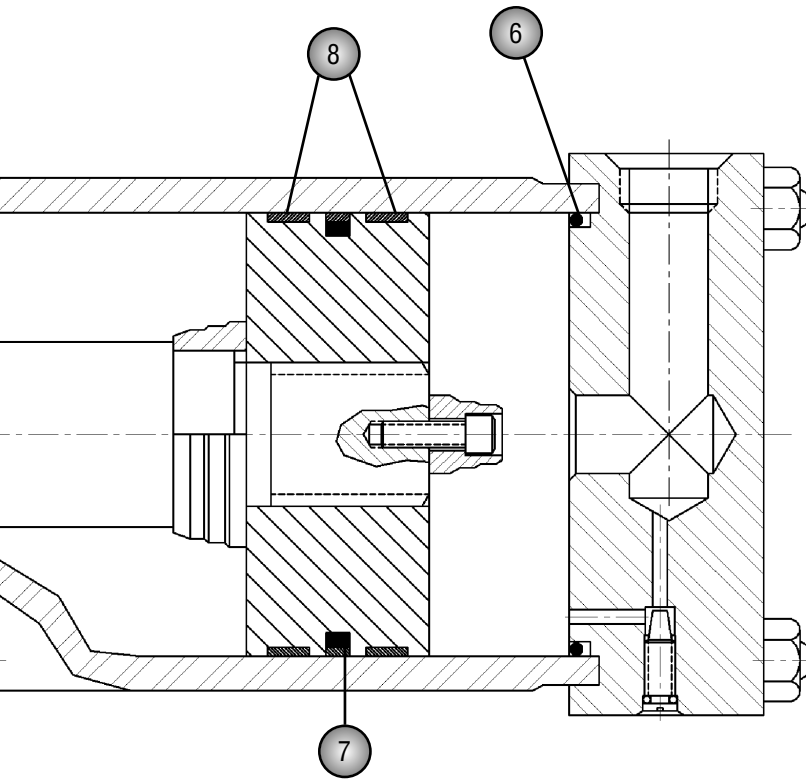
MOBILE  
SEAL KITS

MILLER

## HV2 SERIES

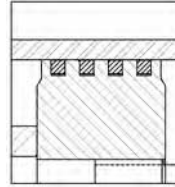
INDUSTRIAL  
SEAL KITS

MOBILE  
SEAL KITS



**OPTIONAL**

**Piston Rings**



**COMPONENTS**

- 1-GLAND CARTRIDGE
- 2-ROD WIPER
- 3-BACK UP RING
- 4-ROD SEAL
- 5-O-RING & B.UP RING
- 6-O-RING & B.UP RING
- 7-PISTON SEAL
- 8-GUIDING ELEMENT

**HI-LOAD PISTON SEAL KITS - NBR (6-7-8)**

Rod	Bore	Ref. Number	\$
	7.000	RMFP-HV2/KB100/700	479.72
	8.000	RMFP-HV2/KB100/800	517.61

**PISTON RING KITS - FPM (OPTIONAL)**

Rod	Bore	Ref. Number	\$
	7.000	RMFP-HV2/KB400/700	173.40
	8.000	RMFP-HV2/KB400/800	245.90

**HI-LOAD PISTON SEAL KITS - FPM (6-7-8)**

Rod	Bore	Ref. Number	\$
	7.000	RMFP-HV2/KB200/700	0/R
	8.000	RMFP-HV2/KB200/800	0/R

**CYLINDER BODY END KITS - NBR (6)**

Rod	Bore	Ref. Number	\$
	7.000	RMFP-HV2/ES100/700	11.66
	8.000	RMFP-HV2/ES100/800	13.06

**PISTON RING KITS - NBR (OPTIONAL)**

Rod	Bore	Ref. Number	\$
	7.000	RMFP-HV2/KB300/700	150.77
	8.000	RMFP-HV2/KB300/800	213.82

**CYLINDER BODY END KITS - FPM (6)**

Rod	Bore	Ref. Number	\$
	7.000	RMFP-HV2/ES200/700	59.07
	8.000	RMFP-HV2/ES200/800	60.09

All manufacturer's names, part numbers and descriptions are used for reference purposes only. We do not imply that any part shown is the product of these manufacturers.

Tel.: (780) 414-1871  
Fax: (780) 487-5419

**KITS**

**49**

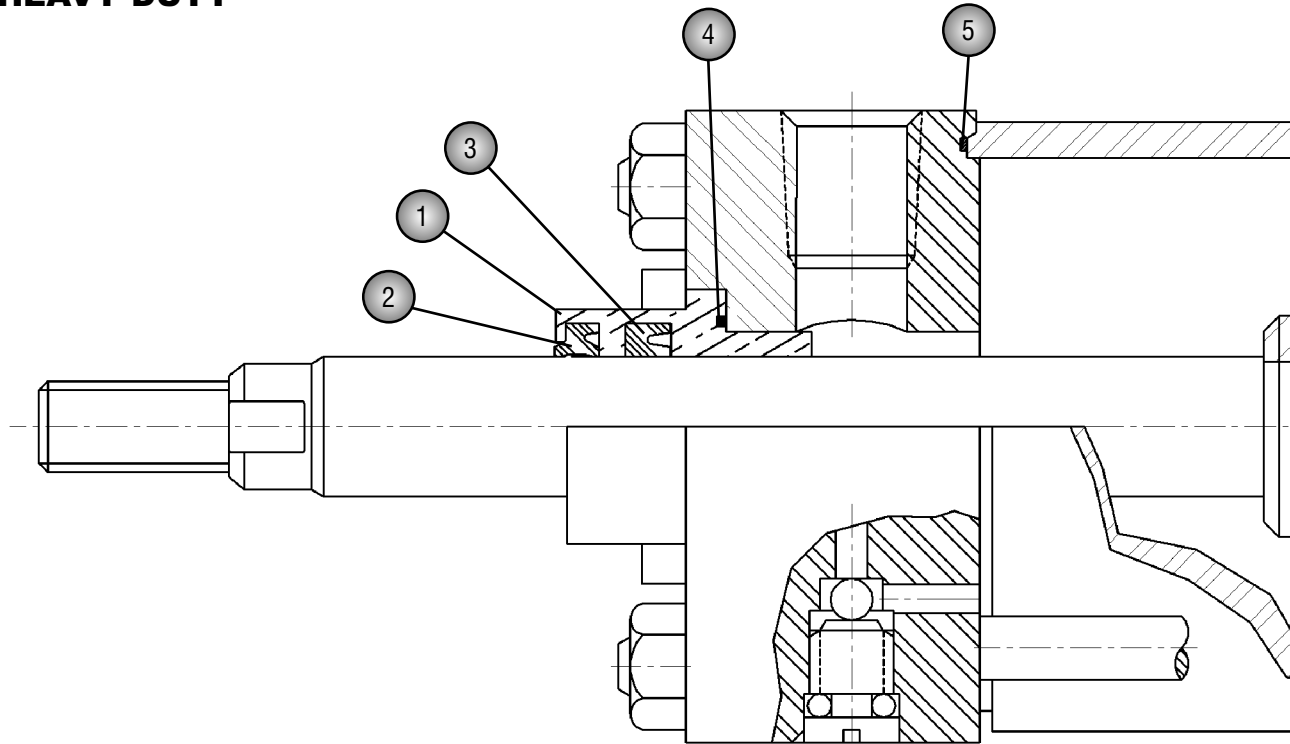
[www.sealsonline.com](http://www.sealsonline.com)

MILLER

## H SERIES HYDRAULIC CYLINDER HEAVY DUTY

INDUSTRIAL SEAL KITS

MOBILE SEAL KITS



\* GLAND CARTRIDGE KITS AND ROD SEAL KITS AVAILABLE ON REQUEST UP TO 10" DIAMETER.

### GLAND CARTRIDGE KITS-BOLTED BUSHING "STAR" SYSTEM (1-2-3-4)\* ROD SEAL KITS - BOLTED BUSHING "STAR" SYSTEM (2-3-4)\*

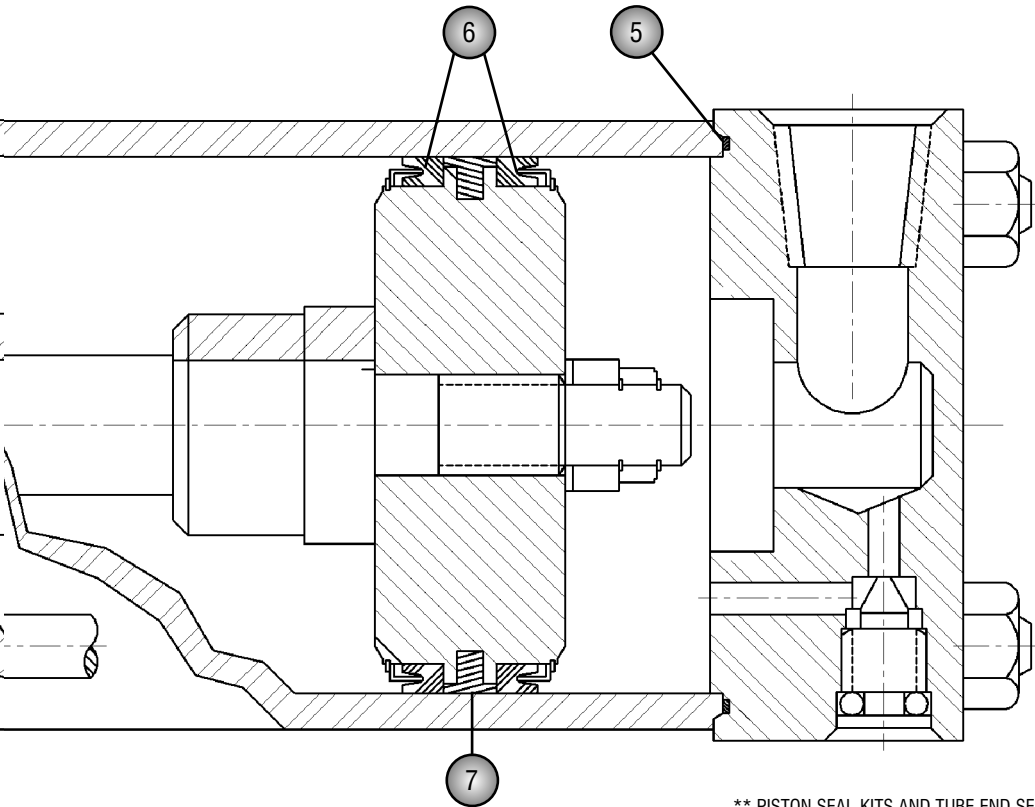
Rod	Bore	Ref. Number	\$	Rod	Bore	Ref. Number	\$
0.625		RMFP-051/KR075/063	207.58	0.625		RMFP-051/KR080/063	18.06
1.000		RMFP-051/KR075/100	250.37	1.000		RMFP-051/KR080/100	31.82
1.375		RMFP-051/KR075/138	293.48	1.375		RMFP-051/KR080/138	42.25
1.750		RMFP-051/KR075/175	318.04	1.750		RMFP-051/KR080/175	52.41
2.000		RMFP-051/KR075/200	378.29	2.000		RMFP-051/KR080/200	58.80
2.500		RMFP-051/KR075/250	519.39	2.500		RMFP-051/KR080/250	70.20
3.000		RMFP-051/KR075/300	668.60	3.000		RMFP-051/KR080/300	126.42
3.500		RMFP-051/KR075/350	896.84	3.500		RMFP-051/KR080/350	135.50
4.000		RMFP-051/KR075/400	968.84	4.000		RMFP-051/KR080/400	152.17
4.500		RMFP-051/KR075/450	1042.75	4.500		RMFP-051/KR080/450	172.05
5.000		RMFP-051/KR075/500	1387.88	5.000		RMFP-051/KR080/500	183.88
5.500		RMFP-051/KR075/550	1961.28	5.500		RMFP-051/KR080/550	287.40

### GLAND CARTRIDGE KITS - RETAINER HELD "STAR" SYSTEM (1-2-3-4) PISTON SEAL KITS (5-6-7)\*\*

Rod	Bore	Ref. Number	\$	Rod	Bore	Ref. Number	\$
0.625		RMFP-051/KR074/063	151.36		1.500	RMFP-171/KB001/150	106.48
1.000		RMFP-051/KR074/100	188.29		2.000	RMFP-171/KB001/200	123.36
1.375		RMFP-051/KR074/138	221.99		2.500	RMFP-171/KB001/250	148.24
1.750		RMFP-051/KR074/175	0/R		3.250	RMFP-171/KB001/325	176.30
2.000		RMFP-051/KR074/200	0/R		4.000	RMFP-171/KB001/400	243.43
2.500		RMFP-051/KR074/250	0/R		5.000	RMFP-171/KB001/500	282.73
3.000		RMFP-051/KR074/300	0/R		6.000	RMFP-171/KB001/600	317.77
3.500		RMFP-051/KR074/350	0/R		7.000	RMFP-171/KB001/700	447.85
4.000		RMFP-051/KR074/400	0/R		8.000	RMFP-171/KB001/800	559.05
4.500		RMFP-051/KR074/450	0/R		10.000	RMFP-171/KB001/1000	658.33
5.000		RMFP-051/KR074/500	0/R		12.000	RMFP-171/KB001/1200	745.19
5.500		RMFP-051/KR074/550	0/R		14.000	RMFP-171/KB001/1400	0/R

All manufacturer's names, part numbers and descriptions are used for reference purposes only. We do not imply that any part shown is the product of these manufacturers.

MILLER



### COMPONENTS

- 1-GLAND CARTRIDGE
- 2-ROD WIPER
- 3-ROD SEAL
- 4-O-RING
- 5-TUBE END SEAL
- 6-PISTON SEAL
- 7-GUIDING ELEMENT

\*\* PISTON SEAL KITS AND TUBE END SEALS ARE AVAILABLE ON REQUEST UP TO 20" DIAMETER.

### TUBE END SEALS - SOLID (5)\*\* (ALSO AVAILABLE AS A STRIP)

Rod	Bore	Ref. Number	\$
	1.500	RMFP-170/ES010/150	11.66
	2.000	RMFP-170/ES010/200	16.50
	2.500	RMFP-170/ES010/250	21.39
	3.250	RMFP-170/ES010/325	22.31
	4.000	RMFP-170/ES010/400	26.71
	5.000	RMFP-170/ES010/500	31.98
	6.000	RMFP-170/ES010/600	36.98
	7.000	RMFP-170/ES010/700	42.03
	8.000	RMFP-170/ES010/800	52.62
	10.000	RMFP-170/ES010/1000	61.06
	12.000	RMFP-170/ES010/1200	68.05
	14.000	RMFP-170/ES010/1400	0/R

All manufacturer's names, part numbers and descriptions are used for reference purposes only. We do not imply that any part shown is the product of these manufacturers.

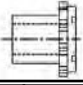
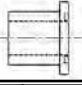
Tel.: (403) 279-1871  
Fax: (403) 279-1821

**KITS 51**

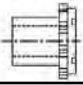
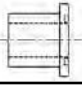
[www.sealsonline.com](http://www.sealsonline.com)

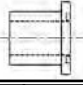


## "STAR" BUSHINGS - SERIES A, J & H


BUSHING - BOLTED - IRON 				BUSHING - RETAINER HELD - IRON 			
Rod	Bore	Ref. Number	\$	Rod	Bore	Ref. Number	\$
0.625		RMFP-050/BU101/063	139.32	0.625		RMFP-050/BU013/063	64.18
1.000		RMFP-050/BU101/100	169.10	1.000		RMFP-050/BU013/100	70.36
1.375		RMFP-050/BU101/138	178.67	1.375		RMFP-050/BU013/138	90.89
1.750		RMFP-050/BU101/175	200.70	1.750		RMFP-050/BU013/175	128.73
2.000		RMFP-050/BU101/200	249.45	2.000		RMFP-050/BU013/200	O/R
2.500		RMFP-050/BU101/250	352.82	2.500		RMFP-050/BU013/250	O/R
3.000		RMFP-050/BU101/300	391.73	3.000		RMFP-050/BU013/300	O/R
3.500		RMFP-050/BU101/350	462.68	3.500		RMFP-050/BU013/350	O/R
4.000		RMFP-050/BU101/400	681.44	4.000		RMFP-050/BU013/400	O/R
4.500		RMFP-050/BU101/450	737.40	4.500		RMFP-050/BU013/450	O/R
5.000		RMFP-050/BU101/500	837.86	5.000		RMFP-050/BU013/500	O/R
5.500		RMFP-050/BU101/550	918.16	5.500		RMFP-050/BU013/550	O/R

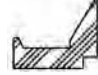
## BUSHINGS - SERIES A, J & H

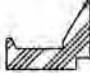
BUSHING - BOLTED - IRON 				RETAINER HELD - IRON 			
Rod	Bore	Ref. Number	\$	Rod	Bore	Ref. Number	\$
0.625		RMFP-050/BU024/063	124.65	0.625		RMFP-050/BU022/063	57.62
1.000		RMFP-050/BU024/100	150.12	1.000		RMFP-050/BU022/100	72.19
1.375		RMFP-050/BU024/138	193.18	1.375		RMFP-050/BU022/138	87.61
1.750		RMFP-050/BU024/175	195.38	1.750		RMFP-050/BU022/175	125.45
2.000		RMFP-050/BU024/200	219.25	2.000		RMFP-050/BU022/200	156.20
2.500		RMFP-050/BU024/250	253.06	2.500		RMFP-050/BU022/250	194.25
3.000		RMFP-050/BU024/300	300.19	3.000		RMFP-050/BU022/300	253.43
3.500		RMFP-050/BU024/350	348.30	3.500		RMFP-050/BU022/350	278.64
4.000		RMFP-050/BU024/400	391.84				
4.500		RMFP-050/BU024/450	417.96				
5.000		RMFP-050/BU024/500	522.45				
5.500		RMFP-050/BU024/550	696.60				


RETAINER - IRON 			
Rod	Bore	Ref. Number	\$
0.625		RMFP-050/RT005/063	38.75
1.000		RMFP-050/RT005/100	43.22
1.375		RMFP-050/RT005/138	55.20
1.750		RMFP-050/RT005/175	O/R
2.000		RMFP-050/RT005/200	O/R
2.500		RMFP-050/RT005/250	O/R
3.000		RMFP-050/RT005/300	O/R
3.500		RMFP-050/RT005/350	O/R

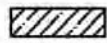
All manufacturer's names, part numbers and descriptions are used for reference purposes only. We do not imply that any part shown is the product of these manufacturers.


ROD WIPERS - AIR & HYDRAULIC SERVICE 			
Rod	Bore	Ref. Number	\$
0.625		RMFP-051/WP001/063	6.34
1.000		RMFP-051/WP001/100	7.47
1.375		RMFP-051/WP001/138	9.46
1.750		RMFP-051/WP001/175	11.45
2.000		RMFP-051/WP001/200	13.12
2.500		RMFP-051/WP001/250	22.74
3.000		RMFP-051/WP001/300	25.42
3.500		RMFP-051/WP001/350	28.70
4.000		RMFP-051/WP001/400	32.57
4.500		RMFP-051/WP001/450	42.68
5.000		RMFP-051/WP001/500	45.96
5.500		RMFP-051/WP001/550	46.76
7.000		RMFP-051/WP001/700	60.95
8.000		RMFP-051/WP001/800	87.08
10.000		RMFP-051/WP001/1000	148.03

ROD SEALS - HYDRAULIC SERVICE 			
Rod	Bore	Ref. Number	\$
0.625		RMFP-051/RS007/063	8.71
1.000		RMFP-051/RS007/100	11.23
1.375		RMFP-051/RS007/138	13.22
1.750		RMFP-051/RS007/175	13.92
2.000		RMFP-051/RS007/200	14.41
2.500		RMFP-051/RS007/250	18.38
3.000		RMFP-051/RS007/300	25.64
3.500		RMFP-051/RS007/350	32.68
4.000		RMFP-051/RS007/400	35.15
4.500		RMFP-051/RS007/450	40.90
5.000		RMFP-051/RS007/500	44.02
5.500		RMFP-051/RS007/550	51.71
7.000		RMFP-051/RS007/700	52.56
8.000		RMFP-051/RS007/800	61.90
10.000		RMFP-051/RS007/1000	82.70

ROD SEALS - AIR SERVICE 			
Rod	Bore	Ref. Number	\$
0.625		RMFP-051/RS014/063	6.88
1.000		RMFP-051/RS014/100	9.08
1.375		RMFP-051/RS014/138	11.23
1.750		RMFP-051/RS014/175	14.14
2.000		RMFP-051/RS014/200	17.47
2.500		RMFP-051/RS014/250	22.95
3.000		RMFP-051/RS014/300	25.32
3.500		RMFP-051/RS014/350	36.28
4.000		RMFP-051/RS014/400	43.16
4.500		RMFP-051/RS014/450	49.83
5.000		RMFP-051/RS014/500	56.60
5.500		RMFP-051/RS014/550	63.26

ROD SEAL CAGE - HYDRAULIC SERVICE 			
Rod	Bore	Ref. Number	\$
0.625		RMFP-051/CG001/063	18.71
1.000		RMFP-051/CG001/100	22.20
1.375		RMFP-051/CG001/138	24.83
1.750		RMFP-051/CG001/175	26.23
2.000		RMFP-051/CG001/200	28.76
2.500		RMFP-051/CG001/250	32.52
3.000		RMFP-051/CG001/300	45.37
3.500		RMFP-051/CG001/350	55.74
4.000		RMFP-051/CG001/400	69.66
4.500		RMFP-051/CG001/450	78.37
5.000		RMFP-051/CG001/500	87.08
5.500		RMFP-051/CG001/550	104.49

ROD SEAL WAVE SPRING - HYDRAULIC SERVICE 			
Rod	Bore	Ref. Number	\$
0.625		RMFP-051/WS004/063	15.96
1.000		RMFP-051/WS004/100	16.18
1.375		RMFP-051/WS004/138	16.23
1.750		RMFP-051/WS004/175	16.34
2.000		RMFP-051/WS003/200	19.51
2.500		RMFP-051/WS003/250	20.43
3.000		RMFP-051/WS003/300	24.83
3.500		RMFP-051/WS003/350	29.29
4.000		RMFP-051/WS003/400	35.48
4.500		RMFP-051/WS003/450	49.67
5.000		RMFP-051/WS003/500	56.76
5.500		RMFP-051/WS003/550	70.95

BRONZE PRESSURE RING - HYDRAULIC SERVICE 			
Rod	Bore	Ref. Number	\$
0.625		RMFP-051/PG001/063	22.15
1.000		RMFP-051/PG001/100	28.00
1.375		RMFP-051/PG001/138	37.95
1.750		RMFP-051/PG001/175	54.18
2.000		RMFP-051/PG001/200	61.87
2.500		RMFP-051/PG001/250	72.24
3.000		RMFP-051/PG001/300	112.88
3.500		RMFP-051/PG001/350	126.42
4.000		RMFP-051/PG001/400	135.45
4.500		RMFP-051/PG001/450	144.48
5.000		RMFP-051/PG001/500	162.54
5.500		RMFP-051/PG001/550	176.84


All manufacturer's names, part numbers and descriptions are used for reference purposes only. We do not imply that any part shown is the product of these manufacturers.

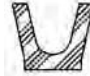
**Tel.: (604) 278-6808**  
**Fax: (604) 278-6180**


**KITS**


**53**


**www.sealsonline.com**


PISTON LIPSEALS - AIR SERVICE - NBR 			
Rod	Bore	Ref. Number	\$
	1.500	RMFP-052/PS025/150	9.89
	2.000	RMFP-052/PS025/200	10.97
	2.500	RMFP-052/PS025/250	12.36
	3.250	RMFP-052/PS025/325	14.03
	4.000	RMFP-052/PS025/400	18.28
	5.000	RMFP-052/PS025/500	23.33
	6.000	RMFP-052/PS025/600	29.72
	10.000	RMFP-052/PS025/1000	61.10

PISTON LIPSEALS - HYDRAULIC SERVICE - PTFE 			
Rod	Bore	Ref. Number	\$
	1.500	RMFP-052/PS017/150	14.30
	2.000	RMFP-052/PS017/200	14.84
	2.500	RMFP-052/PS017/250	16.45
	3.250	RMFP-052/PS017/325	21.93
	4.000	RMFP-052/PS017/400	27.41
	5.000	RMFP-052/PS017/500	43.86
	6.000	RMFP-052/PS017/600	48.00
	7.000	RMFP-052/PS017/700	54.83
	8.000	RMFP-052/PS017/800	69.45
	10.000	RMFP-052/PS017/1000	98.69
	12.000	RMFP-052/PS017/1200	152.17
	14.000	RMFP-052/PS017/1400	173.61


PISTON CUPS - AIR SERVICE - NBR 			
Rod	Bore	Ref. Number	\$
	1.500	RMFP-052/PS001/150	11.45
	2.000	RMFP-052/PS001/200	12.26
	2.500	RMFP-052/PS001/250	16.72
	3.250	RMFP-052/PS001/325	26.12
	4.000	RMFP-052/PS001/400	30.48
	5.000	RMFP-052/PS001/500	39.45
	6.000	RMFP-052/PS001/600	44.88
	8.000	RMFP-052/PS001/800	51.22
	10.000	RMFP-052/PS001/1000	61.22
	12.000	RMFP-052/PS001/1200	109.65
	14.000	RMFP-052/PS001/1400	182.75


PISTON CUPS - HYDRAULIC SERVICE - LEATHER 			
Rod	Bore	Ref. Number	\$
	1.500	RMFP-052/PS003/150	17.74
	2.000	RMFP-052/PS003/200	22.58
	2.500	RMFP-052/PS003/250	28.92
	3.250	RMFP-052/PS003/325	37.95
	4.000	RMFP-052/PS003/400	48.38
	5.000	RMFP-052/PS003/500	73.21
	6.000	RMFP-052/PS003/600	115.99
	7.000	RMFP-052/PS003/700	167.70
	8.000	RMFP-052/PS003/800	203.39
	10.000	RMFP-052/PS003/1000	482.14
	12.000	RMFP-052/PS003/1200	672.52


PISTON CUPS - HYDRAULIC SERVICE - PTFE 			
Rod	Bore	Ref. Number	\$
	1.500	RMFP-052/PS006/150	17.55
	2.000	RMFP-052/PS006/200	21.29
	2.500	RMFP-052/PS006/250	29.03
	3.250	RMFP-052/PS006/325	38.70
	4.000	RMFP-052/PS006/400	48.38
	5.000	RMFP-052/PS006/500	69.66
	6.000	RMFP-052/PS006/600	87.08
	7.000	RMFP-052/PS006/700	116.10
	8.000	RMFP-052/PS006/800	145.13
	10.000	RMFP-052/PS006/1000	178.02
	12.000	RMFP-052/PS006/1200	232.20


PISTON RINGS - HYDRAULIC SERVICE - CAST IRON 			
Rod	Bore	Ref. Number	\$
	1.500	RMFP-052/PS027/150	O/R
	2.000	RMFP-052/PS027/200	O/R
	2.500	RMFP-052/PS027/250	O/R
	3.250	RMFP-052/PS027/325	O/R
	4.000	RMFP-052/PS027/400	O/R
	5.000	RMFP-052/PS027/500	O/R
	6.000	RMFP-052/PS027/600	O/R
	7.000	RMFP-052/PS027/700	O/R
	8.000	RMFP-052/PS027/800	O/R

All manufacturer's names, part numbers and descriptions are used for reference purposes only. We do not imply that any part shown is the product of these manufacturers.

PISTON WEAR RING - AIR SERVICE - PTFE 			
Rod	Bore	Ref. Number	\$
	3.250	RMFP-052/WR005/325/25	34.13
	4.000	RMFP-052/WR005/400/25	42.57
	5.000	RMFP-052/WR005/500/25	53.43
	6.000	RMFP-052/WR005/600/25	63.86
	8.000	RMFP-052/WR005/800/38	145.13
	10.000	RMFP-052/WR005/1000/38	178.02

PISTON WEAR RINGS - HYDRAULIC SERVICE - POLYACETAL 			
Rod	Bore	Ref. Number	\$
	1.500	RMFP-052/WR009/150/25	22.41
	2.000	RMFP-052/WR009/200/25	25.16
	2.000	RMFP-052/WR009/200/31	25.59
	2.500	RMFP-052/WR009/250/25	31.55
	2.500	RMFP-052/WR009/250/38	32.90
	3.250	RMFP-052/WR009/325/25	43.86
	3.250	RMFP-052/WR009/325/50	47.09
	4.000	RMFP-052/WR009/400/25	50.26
	4.000	RMFP-052/WR009/400/63	67.17
	5.000	RMFP-052/WR009/500/75	118.79
	6.000	RMFP-052/WR009/600/75	177.05
	7.000	RMFP-052/WR009/800/75	185.87

PISTON WEAR RING - HYDRAULIC SERVICE - BRONZE 			
Rod	Bore	Ref. Number	\$
	7.000	RMFP-052/WR008/700/75	184.95
	8.000	RMFP-052/WR008/800/125	247.63
	10.000	RMFP-052/WR008/1000/125	288.91
	12.000	RMFP-052/WR008/1200/125	294.54

PISTON FOLLOWER SEALS - PTFE 			
Rod	Bore	Ref. Number	\$
0.625		RMFP-052/FS001/044	6.02
1.000		RMFP-052/FS001/075	7.74
1.375		RMFP-052/FS001/100	12.04
1.750		RMFP-052/FS001/125	14.03
2.000		RMFP-052/FS001/150	17.04
2.500		RMFP-052/FS001/188	16.52
3.250		RMFP-052/FS001/250	17.09

All manufacturer's names, part numbers and descriptions are used for reference purposes only. We do not imply that any part shown is the product of these manufacturers.

**Tel.: (418) 688-3202**  
**Fax: (418) 688-4272**

**KITS**

**55**

**www.sealsonline.com**

INDUSTRIAL  
SEAL KITS

MOBILE  
SEAL KITS

MILLER



All manufacturer's names, part numbers and descriptions are used for reference purposes only. We do not imply that any part shown is the product of these manufacturers.

## PARKER - CYLINDERS

### PRODUCT RANGE

Cylinder Type	Duty	Series	Pressure rating	Specification
AIR CYLINDERS	LIGHT DUTY	MP	150 PSI/10 BAR	ISO - METRIC
		MA	200 PSI/13 BAR	NFPA - INDUSTRIAL
		LP	250 PSI/17 BAR	
		LPM	250 PSI/17 BAR	
		2MA	250 PSI/17 BAR	NFPA
	HEAVY DUTY	2A	250 PSI/17 BAR	NFPA
		2AN	250 PSI/17 BAR	NFPA - NON-LUBE
HYDRAULIC CYLINDERS	MEDIUM DUTY	3L	1000 PSI/70 BAR	NFPA
	HEAVY DUTY	2H	3000 PSI/200 BAR	NFPA
		3H	3000 PSI/200 BAR	NFPA
		HMI	3000 PSI/200 BAR	ISO
		HD	3000 PSI/200 BAR	NFPA - AUTOMOTIVE
		VH	3000 PSI/200 BAR	NFPA

INDUSTRIAL  
SEAL KITS

MOBILE  
SEAL KITS

### INDEX

Cylinder Type	Duty	Series	Page
AIR CYLINDERS	LIGHT DUTY	MP	<b>KITS 62</b>
		MA	<b>KITS 64</b>
		LP/LPM	<b>KITS 66</b>
		2MA	<b>KITS 68</b>
	HEAVY DUTY	2A	<b>KITS 70</b>
		2AN	<b>KITS 72</b>
HYDRAULIC CYLINDERS	MEDIUM DUTY	3L	<b>KITS 74</b>
	HEAVY DUTY	2H/VH	<b>KITS 78</b>
		3H	<b>KITS 82</b>
		HMI	<b>KITS 86</b>
		HD	<b>KITS 88</b>

PARKER

All manufacturer's names, part numbers and descriptions are used for reference purposes only. We do not imply that any part shown is the product of these manufacturers.

**Tel.: (514) 334-2220**  
**Fax: (514) 333-8329**

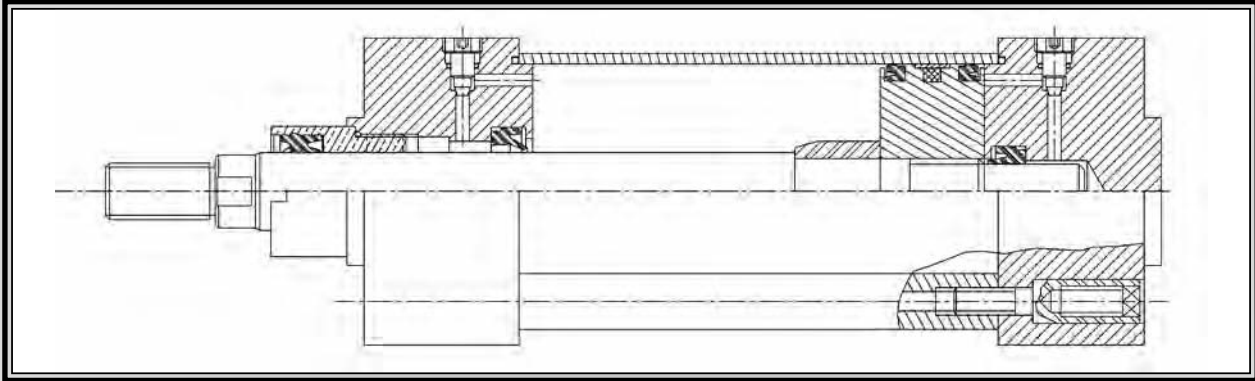
**KITS 57**

[www.sealsonline.com](http://www.sealsonline.com)

## PARKER - CYLINDERS

### AIR CYLINDER - LIGHT DUTY

### SERIES - "MP"

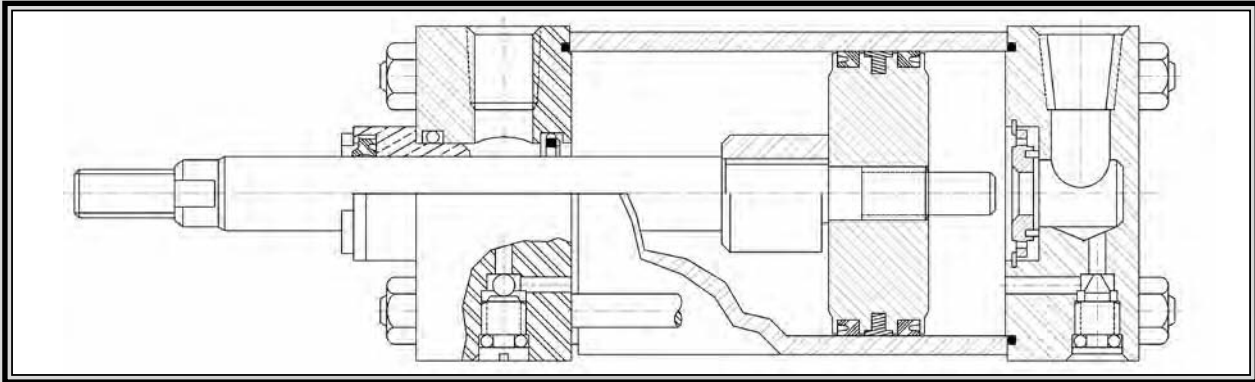


Temperature: **NBR -40/250F [ -40/121C ]**  
**FPM -5/400F [ -21/204C ]**

Pressure: **150 PSI [ 10 BAR ]**

### AIR CYLINDER - LIGHT DUTY

### SERIES - "MA"

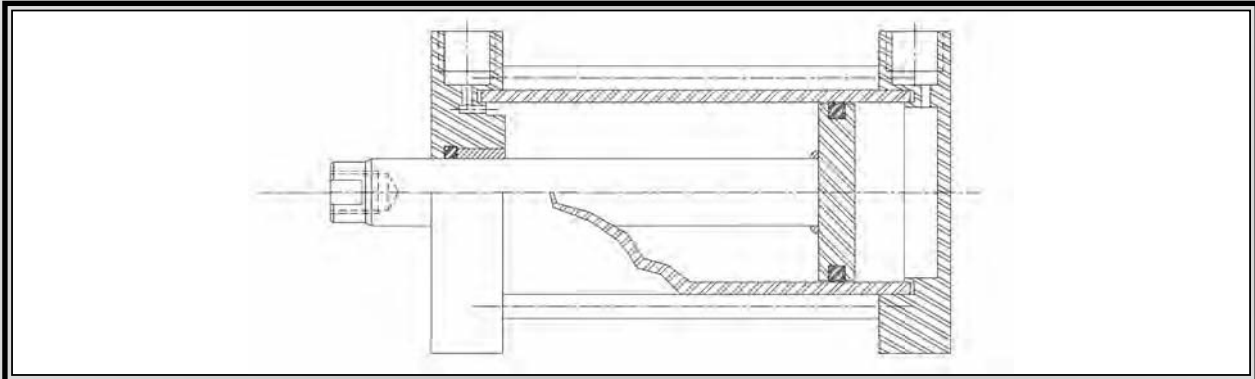


Temperature: **NBR -40/250F [ -40/121C ]**  
**FPM -5/400F [ -21/204C ]**

Pressure: **200 PSI [ 13 BAR ]**

### AIR CYLINDER - LIGHT DUTY

### SERIES - "LP/LPM"



Temperature: **NBR -40/250F [ -40/121C ]**  
**FPM -5/400F [ -21/204C ]**

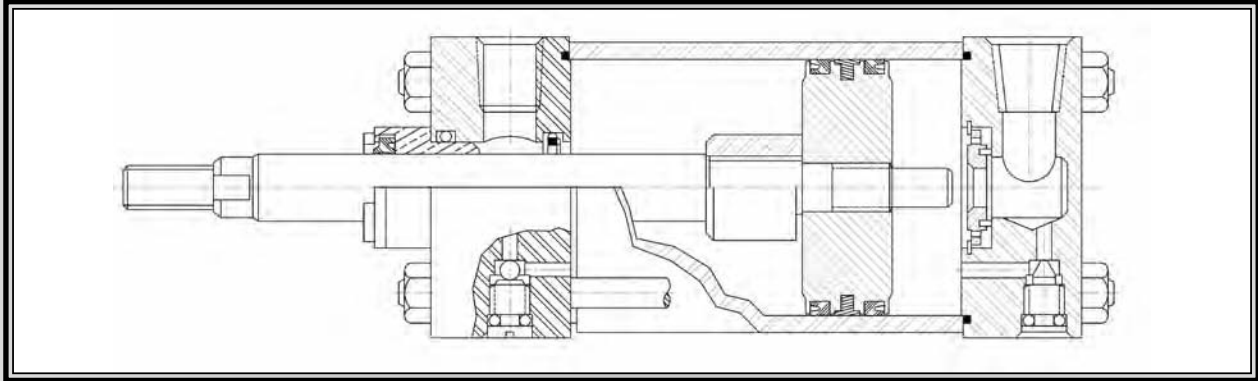
Pressure: **250 PSI [ 17 BAR ]**

All manufacturer's names, part numbers and descriptions are used for reference purposes only. We do not imply that any part shown is the product of these manufacturers.

## PARKER - CYLINDERS

### AIR CYLINDER - LIGHT DUTY

### SERIES - "2MA"

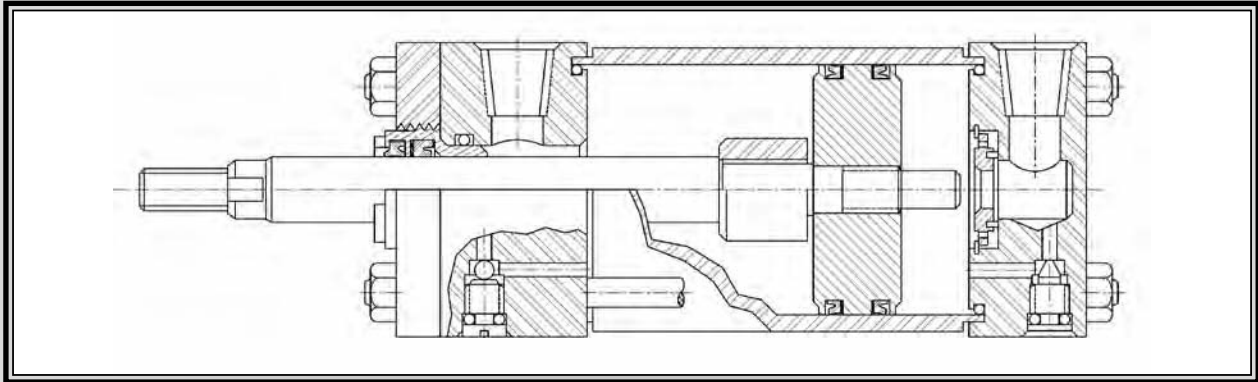


Temperature: **NBR -40/250F [ -40/121C ]**  
**FPM -5/400F [ -21/204C ]**

Pressure: **250 PSI [ 17 BAR ]**

### AIR CYLINDER - HEAVY DUTY

### SERIES - "2A"

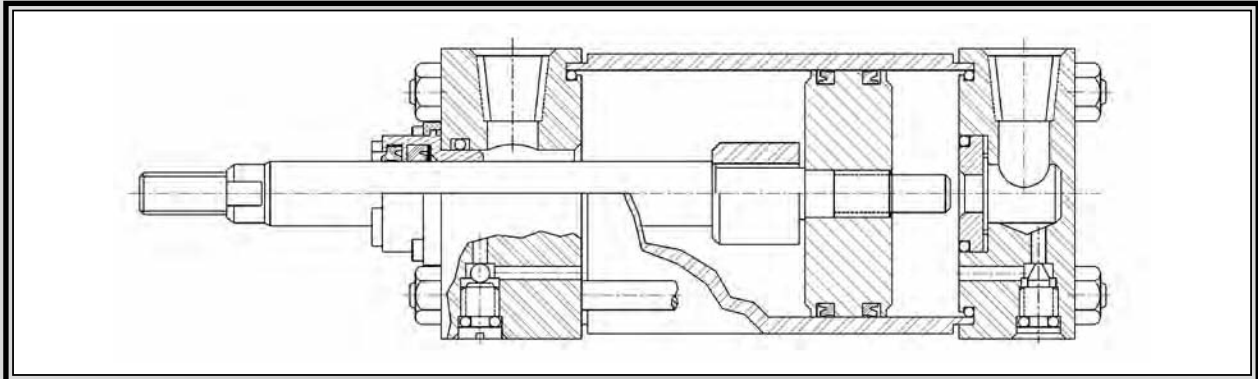


Temperature: **NBR -40/250F [ -40/121C ]**  
**FPM -5/400F [ -21/204C ]**

Pressure: **150 PSI [ 10 BAR ]**

### AIR CYLINDER - HEAVY DUTY

### SERIES - "2AN"



Temperature: **NBR -40/250F [ -40/121C ]**

Pressure: **250 PSI [ 17 BAR ]**

INDUSTRIAL  
SEAL KITS

MOBILE  
SEAL KITS

PARKER

All manufacturer's names, part numbers and descriptions are used for reference purposes only. We do not imply that any part shown is the product of these manufacturers.

Tel.: (905) 362-0889  
Fax: (888) 238-1664

KITS

59

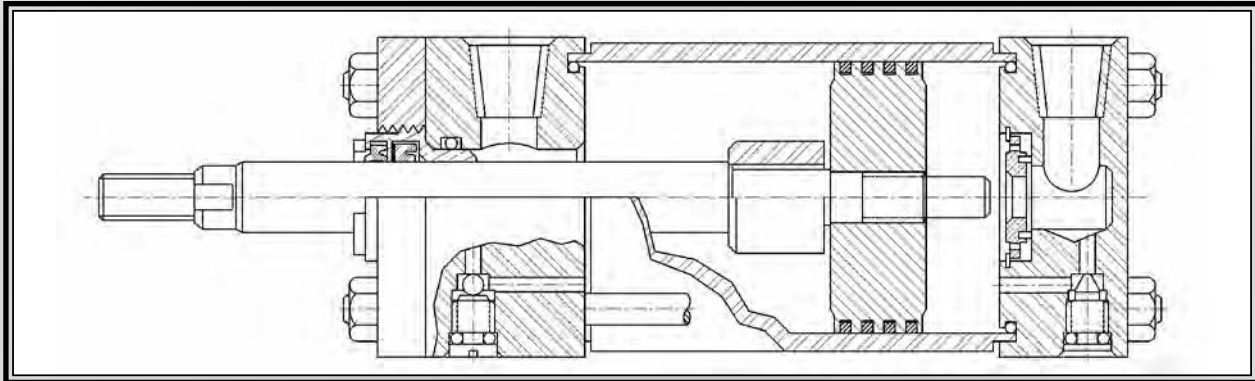
[www.sealsonline.com](http://www.sealsonline.com)



## PARKER - CYLINDERS

### HYDRAULIC CYLINDER - MEDIUM DUTY

### SERIES - "3L"

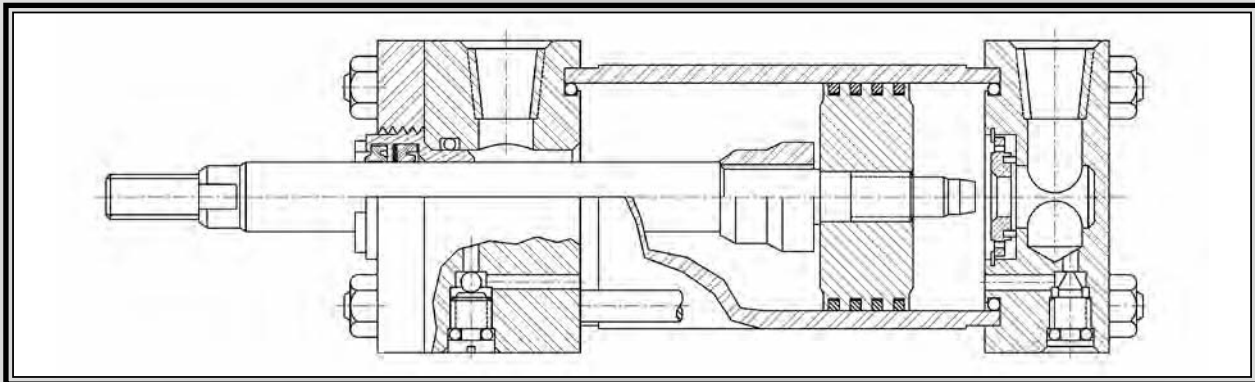


Temperature: **NBR -40/250F [ -40/121C ]**  
**FPM -5/400F [ -21/204C ]**

Pressure: **1000 PSI [ 70 BAR ]**

### HYDRAULIC CYLINDER - HEAVY DUTY

### SERIES - "2H/VH"

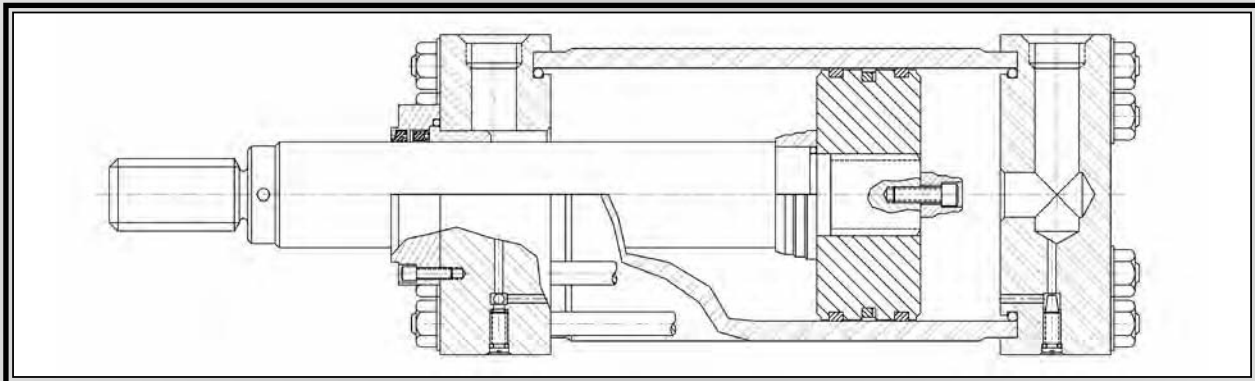


Temperature: **NBR -40/250F [ -40/121C ]**  
**FPM -5/400F [ -21/204C ]**

Pressure: **3000 PSI [ 200 BAR ]**

### HYDRAULIC CYLINDER - HEAVY DUTY

### SERIES - "3H"



Temperature: **NBR -40/250F [ -40/121C ]**  
**FPM -5/400F [ -21/204C ]**

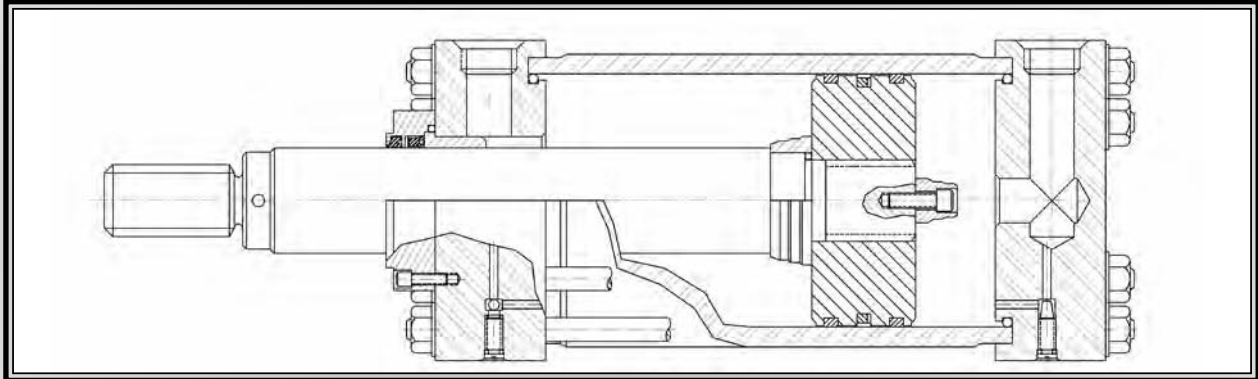
Pressure: **3000 PSI [ 200 BAR ]**

All manufacturer's names, part numbers and descriptions are used for reference purposes only. We do not imply that any part shown is the product of these manufacturers.

PARKER - CYLINDERS

HYDRAULIC CYLINDER - HEAVY DUTY

SERIES - "HMI"

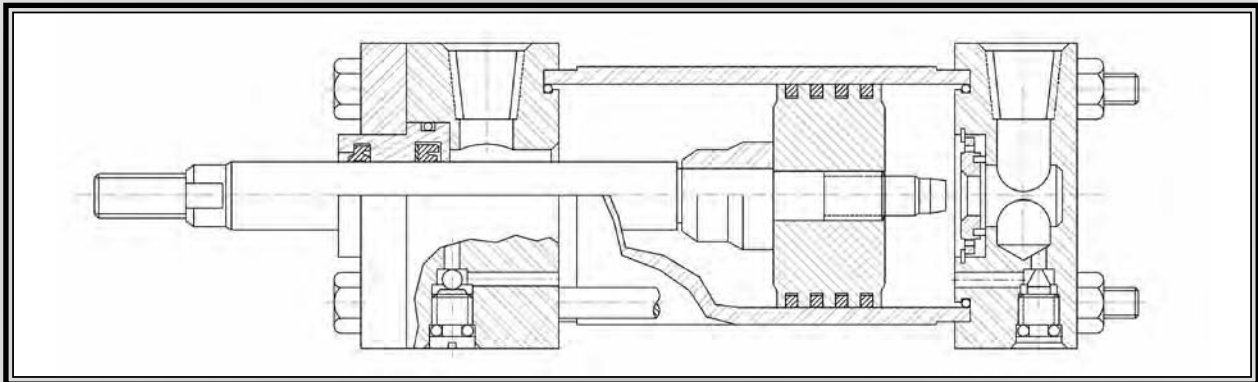


Temperature: NBR -40/250F [ -40/121C ]  
FPM -5/400F [ -21/204C ]

Pressure: 3000 PSI [ 200 BAR ]

HYDRAULIC CYLINDER - HEAVY DUTY

SERIES - "HD"



Temperature: NBR -40/250F [ -40/121C ]  
FPM -5/400F [ -21/204C ]

Pressure: 3000 PSI [ 200 BAR ]

INDUSTRIAL  
SEAL KITS

MOBILE  
SEAL KITS

PARKER

All manufacturer's names, part numbers and descriptions are used for reference purposes only. We do not imply that any part shown is the product of these manufacturers.

Tel.: (204) 783-9617  
Fax: (204) 783-6091

KITS

61

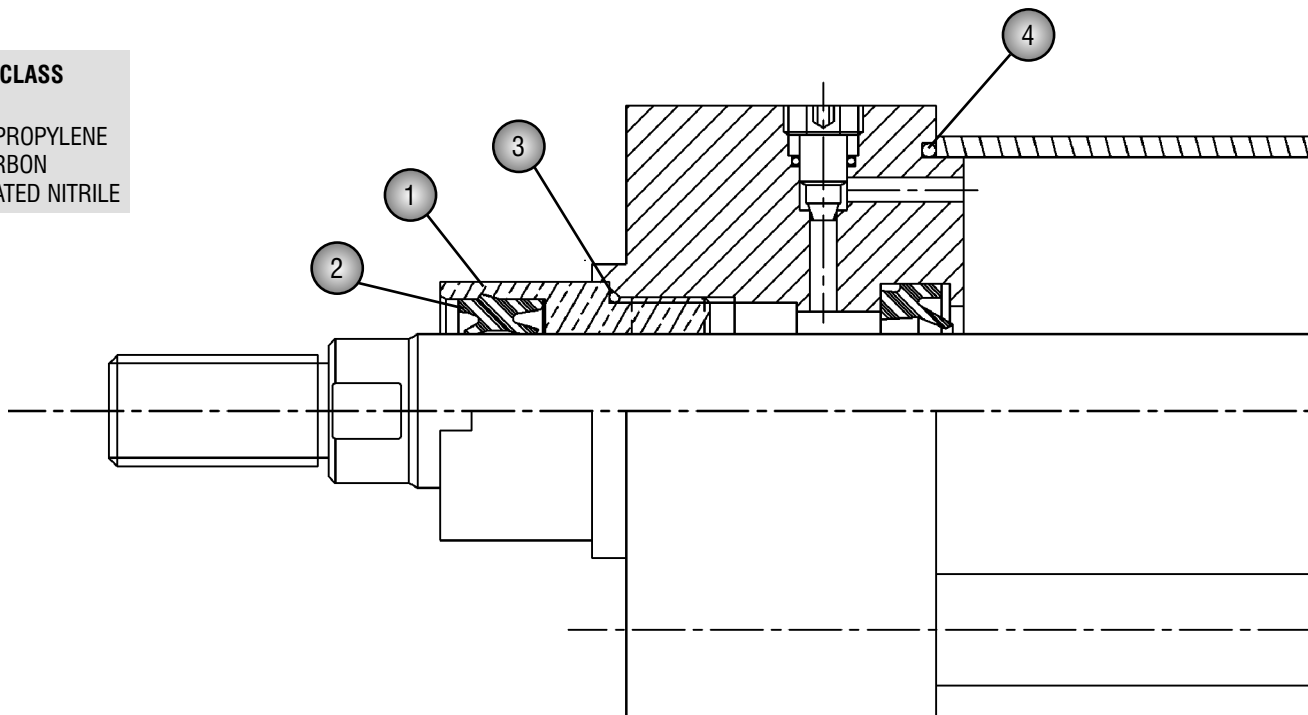
www.sealsonline.com

## MP SERIES

## AIR CYLINDER LIGHT DUTY

### SERVICE CLASS

- 1- NITRILE
- 3- ETHYLENE PROPYLENE
- 5- FLUOROCARBON
- 6- CARBOXYLATED NITRILE



\* GLAND WRENCH AND SPANNER WRENCH AVAILABLE ON REQUEST

### GLAND CARTRIDGE KITS - Service Class 1 (1-2-3)\*

Rod	Bore	Ref. Number	\$
12.00		RPH-RGOMP00121	48.86
16.00		RPH-RGOMP00161	55.63
20.00		RPH-RGOMP00201	76.06
25.00		RPH-RGOMP00251	144.64
32.00		RPH-RGOMP00321	150.82
40.00		RPH-RGOMP00401	173.08

### ROD SEAL KITS - Service Class 1 (2-3)\*

Rod	Bore	Ref. Number	\$
12.00		RPH-RKOMP00121	26.61
16.00		RPH-RKOMP00161	28.43
20.00		RPH-RKOMP00201	30.91
25.00		RPH-RKOMP00251	86.54
32.00		RPH-RKOMP00321	94.60
40.00		RPH-RKOMP00401	102.82

### GLAND CARTRIDGE KITS - Service Class 5 (1-2-3)\*

Rod	Bore	Ref. Number	\$
12.00		RPH-RGOMP00125	93.96
16.00		RPH-RGOMP00165	104.49
20.00		RPH-RGOMP00205	126.10
25.00		RPH-RGOMP00255	191.62
32.00		RPH-RGOMP00325	206.72
40.00		RPH-RGOMP00405	246.01

### ROD SEAL KITS - Service Class 5 (2-3)\*

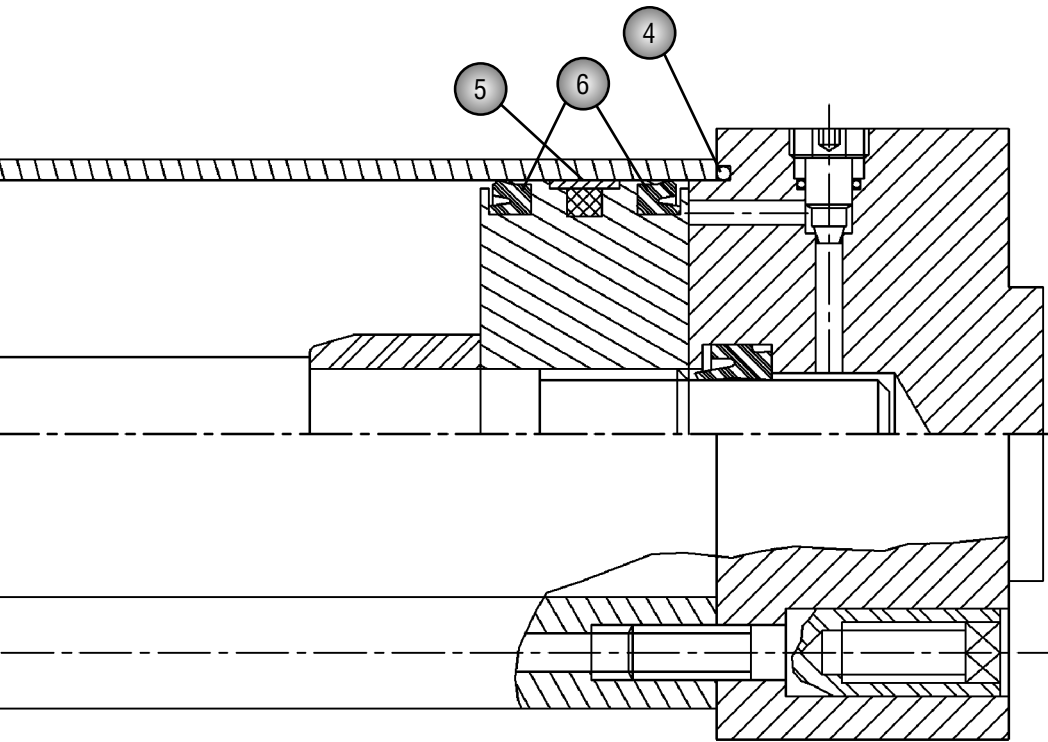
Rod	Bore	Ref. Number	\$
12.00		RPH-RKOMP00125	36.50
16.00		RPH-RKOMP00165	37.73
20.00		RPH-RKOMP00205	47.62
25.00		RPH-RKOMP00255	120.56
32.00		RPH-RKOMP00325	121.15
40.00		RPH-RKOMP00405	154.53

All manufacturer's names, part numbers and descriptions are used for reference purposes only. We do not imply that any part shown is the product of these manufacturers.

INDUSTRIAL  
SEAL KITS

MOBILE  
SEAL KITS

PARKER



### COMPONENTS

- 1-GLAND CARTRIDGE
- 2-ROD SEAL / WIPER
- 3-O-RING
- 4-BODY END - O-RING
- 5-GUIDING ELEMENT
- 6-PISTON SEAL

\*\* MAGNETIC RING AVAILABLE ON REQUEST

### PISTON SEAL KITS - Service Class 1 (4-5-6)\*\*

Rod	Bore	Ref. Number	\$
	32.00	RPH-PK032MP001	34.62
	40.00	RPH-PK040MP001	35.26
	50.00	RPH-PK050MP001	36.50
	63.00	RPH-PK063MP001	38.32
	80.00	RPH-PK080MP001	45.74
	100.00	RPH-PK100MP001	60.58
	125.00	RPH-PK125MP001	73.58
	160.00	RPH-PK160MP001	82.83
	200.00	RPH-PK200MP001	100.78

### CYLINDER BODY END KITS - Service Class 1 (4)

Rod	Bore	Ref. Number	\$
	32.00	RPH-CB032MP001	7.26
	40.00	RPH-CB040MP001	7.42
	50.00	RPH-CB050MP001	7.58
	63.00	RPH-CB063MP001	8.33
	80.00	RPH-CB080MP001	9.14
	100.00	RPH-CB100MP001	9.94
	125.00	RPH-CB125MP001	11.83
	160.00	RPH-CB160MP001	15.86
	200.00	RPH-CB200MP001	19.62

### PISTON SEAL KITS - Service Class 5 (4-5-6)\*\*

Rod	Bore	Ref. Number	\$
	32.00	RPH-PK032MP005	69.23
	40.00	RPH-PK040MP005	82.24
	50.00	RPH-PK050MP005	92.72
	63.00	RPH-PK063MP005	107.55
	80.00	RPH-PK080MP005	140.83
	100.00	RPH-PK100MP005	153.30
	125.00	RPH-PK125MP005	190.38
	160.00	RPH-PK160MP005	226.23
	200.00	RPH-PK200MP005	325.13

### CYLINDER BODY END KITS - Service Class 5 (4)

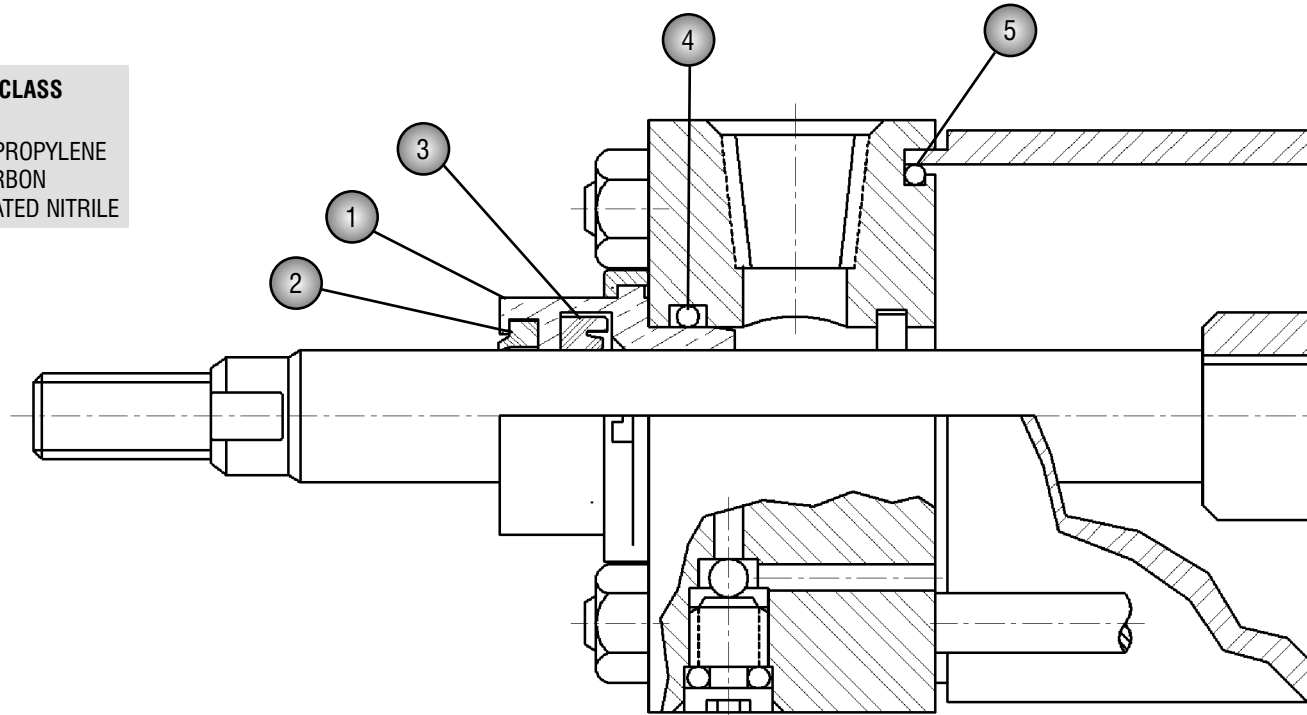
Rod	Bore	Ref. Number	\$
	32.00	RPH-CB032MP005	8.33
	40.00	RPH-CB040MP005	8.65
	50.00	RPH-CB050MP005	9.41
	63.00	RPH-CB063MP005	9.94
	80.00	RPH-CB080MP005	11.56
	100.00	RPH-CB100MP005	12.63
	125.00	RPH-CB125MP005	19.89
	160.00	RPH-CB160MP005	20.96
	200.00	RPH-CB200MP005	29.29

All manufacturer's names, part numbers and descriptions are used for reference purposes only. We do not imply that any part shown is the product of these manufacturers.

## MA AIR CYLINDER LIGHT DUTY SERIES

### SERVICE CLASS

- 1- NITRILE
- 3- ETHYLENE PROPYLENE
- 5- FLUOROCARBON
- 6- CARBOXYLATED NITRILE



\* FOR NONCUSHIONS CYLINDERS

### GLAND CARTRIDGE KITS - Service Class 1 (1-2-3-4)

Rod	Bore	Ref. Number	\$
0.625		RPH-RGL6948MA1	33.11
1.000		RPH-RGL6949MA1	37.25
1.375		RPH-RGL6950MA1	50.26

### COMPLETE SEAL KITS - Service Class 1 (2-3-4-5-6-7)\*

Rod	Bore	Ref. Number	\$
0.625	1.500	RPH-SKL7000MA1	13.71
0.625	2.000	RPH-SKL7001MA1	14.84
1.000	2.000	RPH-SKL7002MA1	15.53
0.625	2.500	RPH-SKL7003MA1	17.04
1.000	2.500	RPH-SKL7004MA1	17.74
1.000	3.250	RPH-SKL7005MA1	20.05
1.375	3.250	RPH-SKL7006MA1	22.84
1.000	4.000	RPH-SKL7007MA1	27.47
1.375	4.000	RPH-SKL7008MA1	28.11
1.000	5.000	RPH-SKL7009MA1	31.82
1.375	5.000	RPH-SKL7010MA1	36.44
1.375	6.000	RPH-SKL7098MA1	37.63

### GLAND CARTRIDGE KITS - Service Class 5 (1-2-3-4)

Rod	Bore	Ref. Number	\$
0.625		RPH-RGL6948MA5	63.86
1.000		RPH-RGL6949MA5	92.24
1.375		RPH-RGL6950MA5	104.06

### COMPLETE SEAL KITS - Service Class 5 (2-3-4-5-6-7)\*

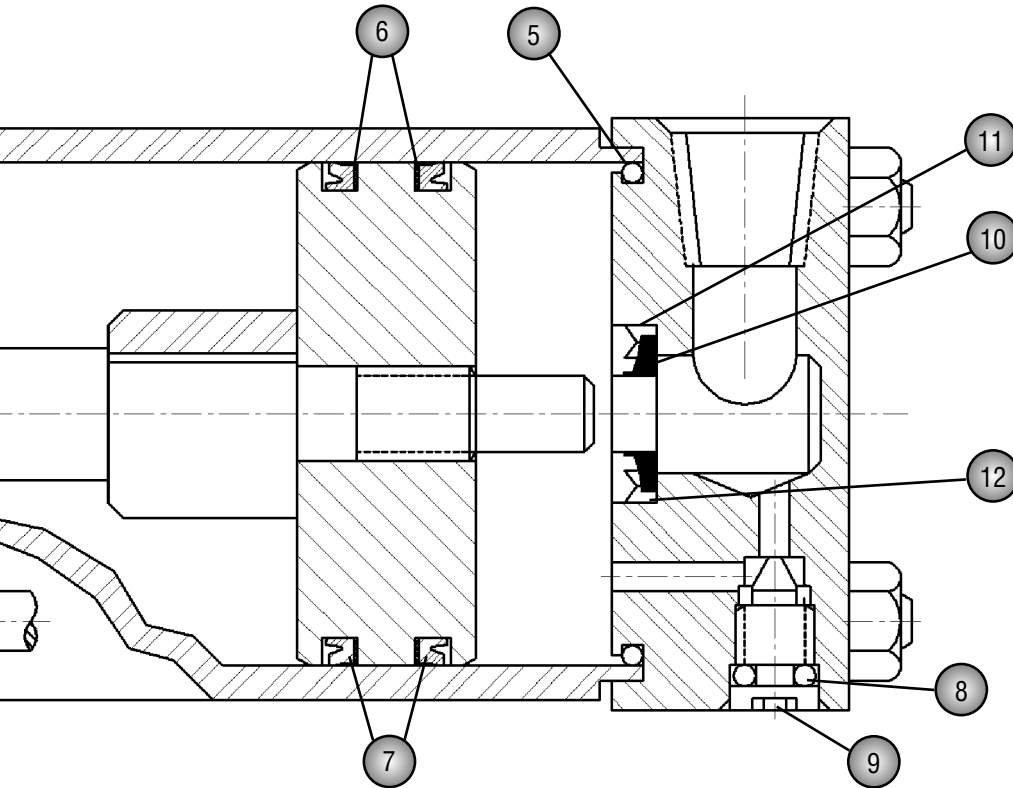
Rod	Bore	Ref. Number	\$
0.625	1.500	RPH-SKL7000MA5	51.22
0.625	2.000	RPH-SKL7001MA5	52.30
1.000	2.000	RPH-SKL7002MA5	57.41
0.625	2.500	RPH-SKL7003MA5	59.61
1.000	2.500	RPH-SKL7004MA5	62.78
1.000	3.250	RPH-SKL7005MA5	77.99
1.375	3.250	RPH-SKL7006MA5	82.99
1.000	4.000	RPH-SKL7007MA5	91.32
1.375	4.000	RPH-SKL7008MA5	96.27
1.000	5.000	RPH-SKL7009MA5	108.74
1.375	5.000	RPH-SKL7010MA5	113.74
1.375	6.000	RPH-SKL7098MA5	119.16

All manufacturer's names, part numbers and descriptions are used for reference purposes only. We do not imply that any part shown is the product of these manufacturers.

INDUSTRIAL  
SEAL KITS

MOBILE  
SEAL KITS

PARKER



### COMPONENTS

- 1-GLAND CARTRIDGE
- 2-ROD WIPER
- 3-ROD SEAL
- 4-O-RING
- 5-BODY END - O-RING
- 6-BACK-UP RING
- 7-PISTON LIP SEAL
- 8-O-RING, CUSH. ADJ.
- 9-NEEDLE, CUSH. ADJ.
- 10-CHECK SEAL, CAP END
- 11-RETAINING RING
- 12-WASHER, SEAL

### HEAD END CUSHION KITS - Service Class 1 (8-9-10)

Rod	Bore	Ref. Number	\$
0.625	1.500	RPH-CHL7011MA1	0/R
0.625	2.000	RPH-CHL7012MA1	0/R
1.000	2.000	RPH-CHL7013MA1	0/R
0.625	2.500	RPH-CHL7012MA1	0/R
1.000	2.500	RPH-CHL7013MA1	0/R
1.000	3.250	RPH-CHL7014MA1	0/R
1.375	3.250	RPH-CHL7015MA1	0/R
1.000	4.000	RPH-CHL7014MA1	0/R
1.375	4.000	RPH-CHL7015MA1	0/R
1.000	5.000	RPH-CHL7014MA1	0/R
1.375	5.000	RPH-CHL7015MA1	0/R
1.375	6.000	RPH-CHL7170MA1	0/R

### CAP END CUSHION KITS - Service Class 5 (8-9-10-11-12)

Rod	Bore	Ref. Number	\$
0.625	1.500	RPH-CCL7016MA1	0/R
0.625	2.000	RPH-CCL7016MA1	0/R
1.000	2.000	RPH-CCL7016MA1	0/R
0.625	2.500	RPH-CCL7016MA1	0/R
1.000	2.500	RPH-CCL7016MA1	0/R
1.000	3.250	RPH-CCL7017MA1	0/R
1.375	3.250	RPH-CCL7017MA1	0/R
1.000	4.000	RPH-CCL7017MA1	0/R
1.375	4.000	RPH-CCL7017MA1	0/R
1.000	5.000	RPH-CCL7017MA1	0/R
1.375	5.000	RPH-CCL7017MA1	0/R
1.375	6.000	RPH-CCL7017MA1	0/R

All manufacturer's names, part numbers and descriptions are used for reference purposes only. We do not imply that any part shown is the product of these manufacturers.

Tel.: (403) 279-1871  
Fax: (403) 279-1821

**KITS**

**65**

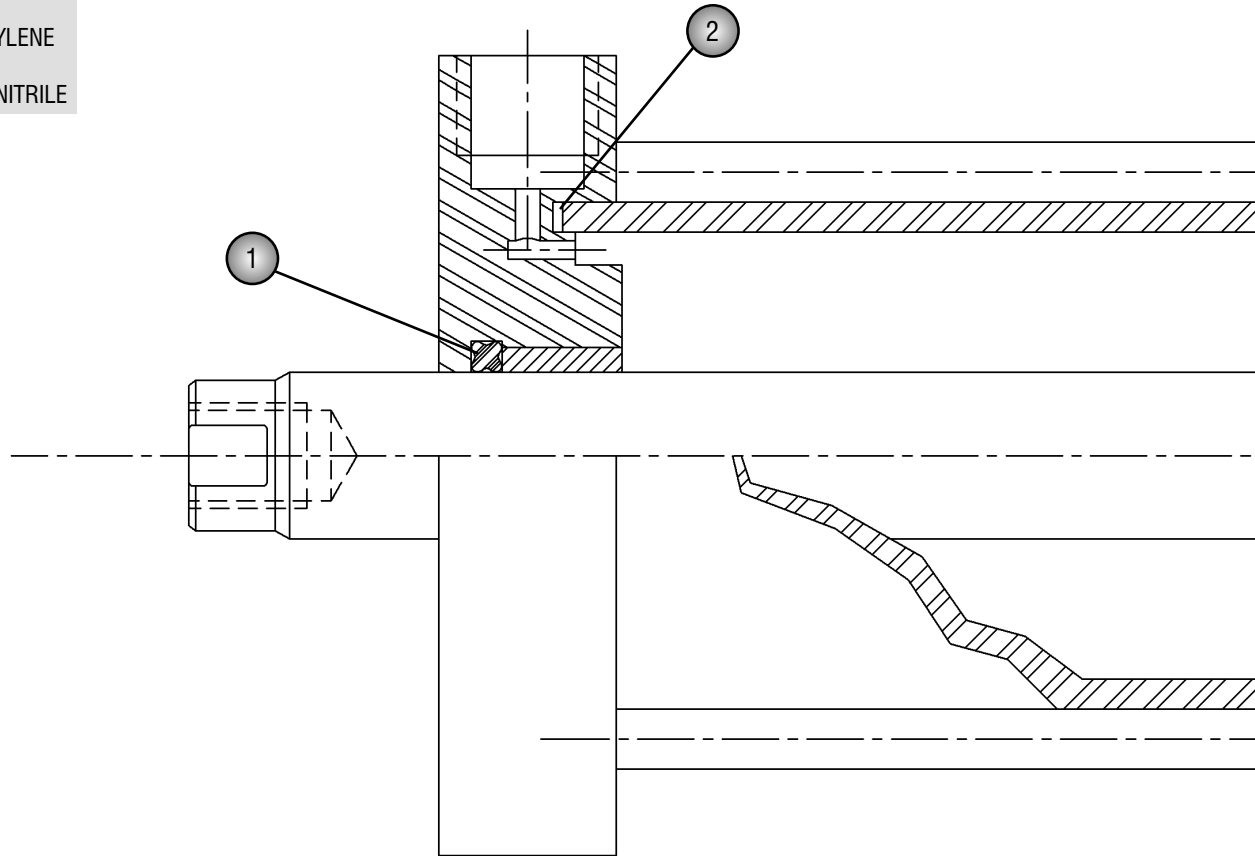
[www.sealsonline.com](http://www.sealsonline.com)

## LP/LPM SERIES

### AIR CYLINDER LIGHT DUTY

#### SERVICE CLASS

- 1- NITRILE
- 3- ETHYLENE PROPYLENE
- 5- FLUOROCARBON
- 6- CARBOXYLATED NITRILE



\* SINGLE ROD SEAL KITS CONTAIN SEALS TO REPAIR SINGLE AND DOUBLE ROD CYLINDERS.  
WHEN REPAIRING A SINGLE ROD CYLINDER, ONE ROD SEAL WILL NOT BE USED.

#### “LP” COMPLETE SEAL KITS - Service Class 1 (1-2-3)\*

Rod	Bore	Ref. Number	\$
0.250	0.562	RPH-SKS05LP251	11.29
0.312	0.750	RPH-SKS07LP311	11.77
0.500	1.125	RPH-SKS12LP501	11.99
0.625	1.500	RPH-SKS15LP621	13.22
0.750	2.000	RPH-SKS20LP751	14.84
0.750	2.500	RPH-SKS25LP751	16.07
0.875	3.000	RPH-SKS30LP781	27.84
1.000	4.000	RPH-SKS40LP101	34.02

#### “LP” COMPLETE SEAL KITS - Service Class 5 (1-2-3)\*

Rod	Bore	Ref. Number	\$
0.250	0.562	RPH-SKS05LP255	25.37
0.312	0.750	RPH-SKS07LP315	27.84
0.500	1.125	RPH-SKS12LP505	29.67
0.625	1.500	RPH-SKS15LP625	36.50
0.750	2.000	RPH-SKS20LP755	38.32
0.750	2.500	RPH-SKS25LP755	50.69
0.875	3.000	RPH-SKS30LP785	93.36
1.000	4.000	RPH-SKS40LP105	109.44

All manufacturer's names, part numbers and descriptions are used for reference purposes only. We do not imply that any part shown is the product of these manufacturers.

INDUSTRIAL  
SEAL KITS

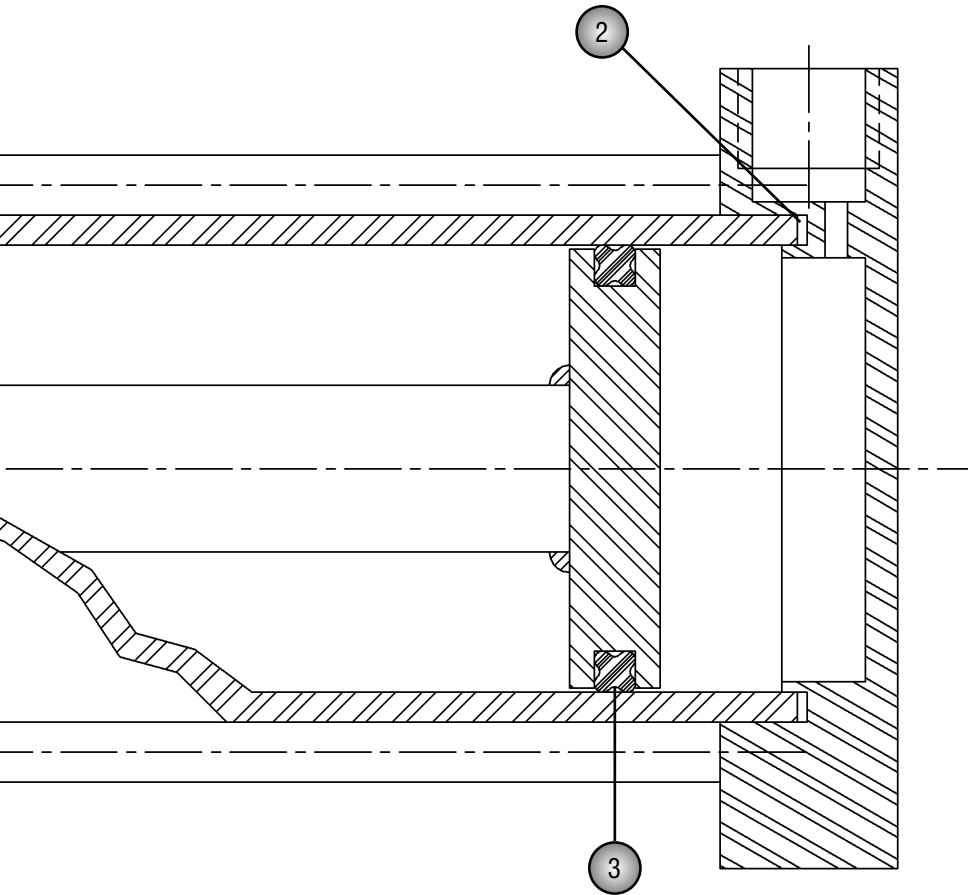
MOBILE  
SEAL KITS

PARKER

## LP/LPM S E R I E S

### COMPONENTS

- 1-ROD SEAL
- 2-TUBE END SEAL
- 3-PISTON SEAL



INDUSTRIAL  
SEAL KITS

MOBILE  
SEAL KITS

“LPM” COMPLETE SEAL KITS - Service Class 1 (1-2-3)\* “LPM” COMPLETE SEAL KITS - Service Class 5 (1-2-3)\*

Rod	Bore	Ref. Number	\$	Rod	Bore	Ref. Number	\$
0.250	0.562	RPH-KS05LPL251	34.62	0.250	0.562	RPH-KS05LPL255	72.35
0.312	0.750	RPH-KS07LPL311	35.26	0.312	0.750	RPH-KS07LPL315	74.82
0.500	1.125	RPH-KS12LPL501	38.97	0.500	1.125	RPH-KS12LPL505	79.12
0.625	1.500	RPH-KS15LPL621	40.80	0.625	1.500	RPH-KS15LPL625	100.78
0.750	2.000	RPH-KS20LPL751	43.27	0.750	2.000	RPH-KS20LPL755	126.10
0.750	2.500	RPH-KS25LPL751	35.26	0.750	2.500	RPH-KS25LPL755	140.93
0.875	3.000	RPH-KS30LPL781	51.33	0.875	3.000	RPH-KS30LPL785	222.53
1.000	4.000	RPH-KS40LPL101	56.28	1.000	4.000	RPH-KS40LPL105	248.49

All manufacturer's names, part numbers and descriptions are used for reference purposes only. We do not imply that any part shown is the product of these manufacturers.

**Tel.: (604) 278-6808**  
**Fax: (604) 278-6180**

**KITS 67**

[www.sealsonline.com](http://www.sealsonline.com)

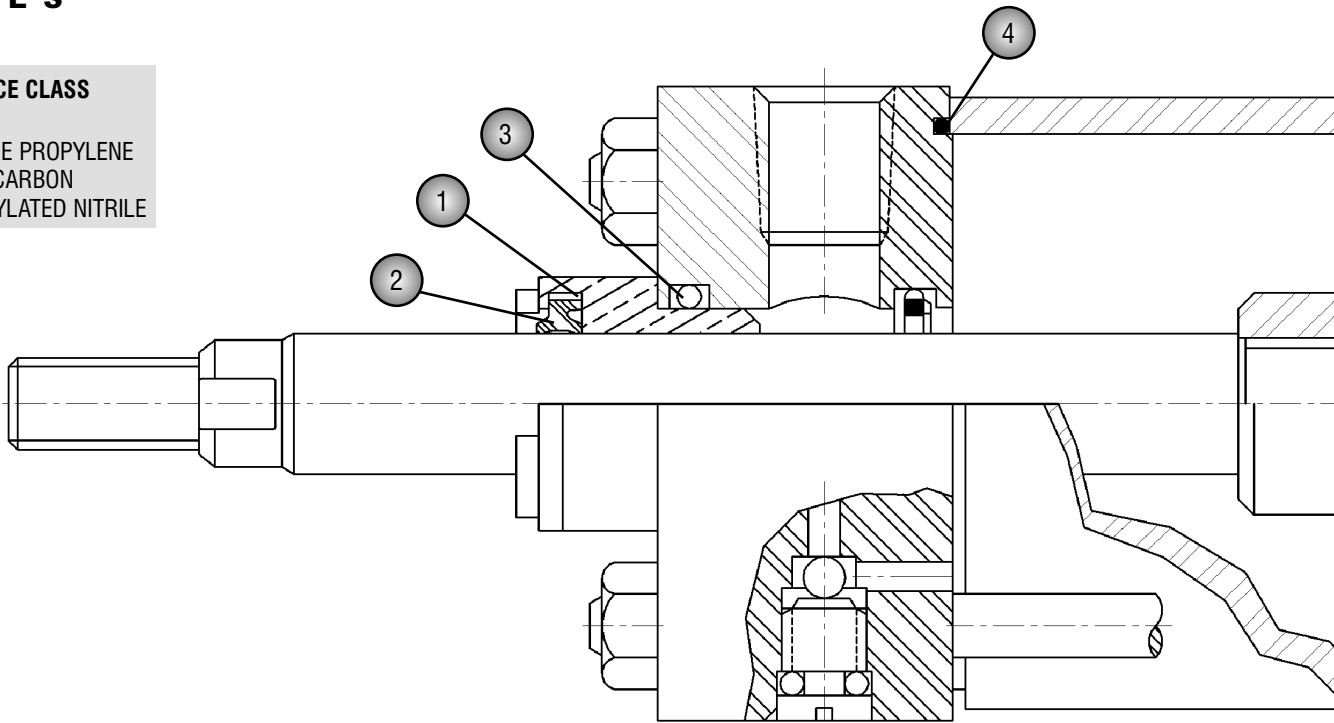
**PARKER**



## 2MA AIR CYLINDER LIGHT DUTY SERIES

### SERVICE CLASS

- 1- NITRILE
- 3- ETHYLENE PROPYLENE
- 5- FLUOROCARBON
- 6- CARBOXYLATED NITRILE



### GLAND CARTRIDGE KITS - Service Class 1 (1-2-3)

Rod	Bore	Ref. Number	\$
0.500		RPH-RG02MA0051	37.50
0.625		RPH-RG02MA0061	39.25
1.000		RPH-RG02MA0101	46.70
1.375		RPH-RG02MA0131	56.60
1.750		RPH-RG02MA0171	65.25

### ROD SEAL KITS - Service Class 1 (2-3)

Rod	Bore	Ref. Number	\$
0.500		RPH-RK02MA0051	13.10
0.625		RPH-RK02MA0061	13.25
1.000		RPH-RK02MA0101	14.00
1.375		RPH-RK02MA0131	14.50
1.750		RPH-RK02MA0171	15.10

### GLAND CARTRIDGE KITS - Service Class 5 (1-2-3)

Rod	Bore	Ref. Number	\$
0.500		RPH-RG02MA0055	45.00
0.625		RPH-RG02MA0065	51.10
1.000		RPH-RG02MA0105	56.20
1.375		RPH-RG02MA0135	67.50
1.750		RPH-RG02MA0175	92.10

### ROD SEAL KITS - Service Class 5 (2-3)

Rod	Bore	Ref. Number	\$
0.500		RPH-RK02MA0055	19.10
0.625		RPH-RK02MA0065	19.75
1.000		RPH-RK02MA0105	20.95
1.375		RPH-RK02MA0135	22.80
1.750		RPH-RK02MA0175	32.08

All manufacturer's names, part numbers and descriptions are used for reference purposes only. We do not imply that any part shown is the product of these manufacturers.

INDUSTRIAL  
SEAL KITS

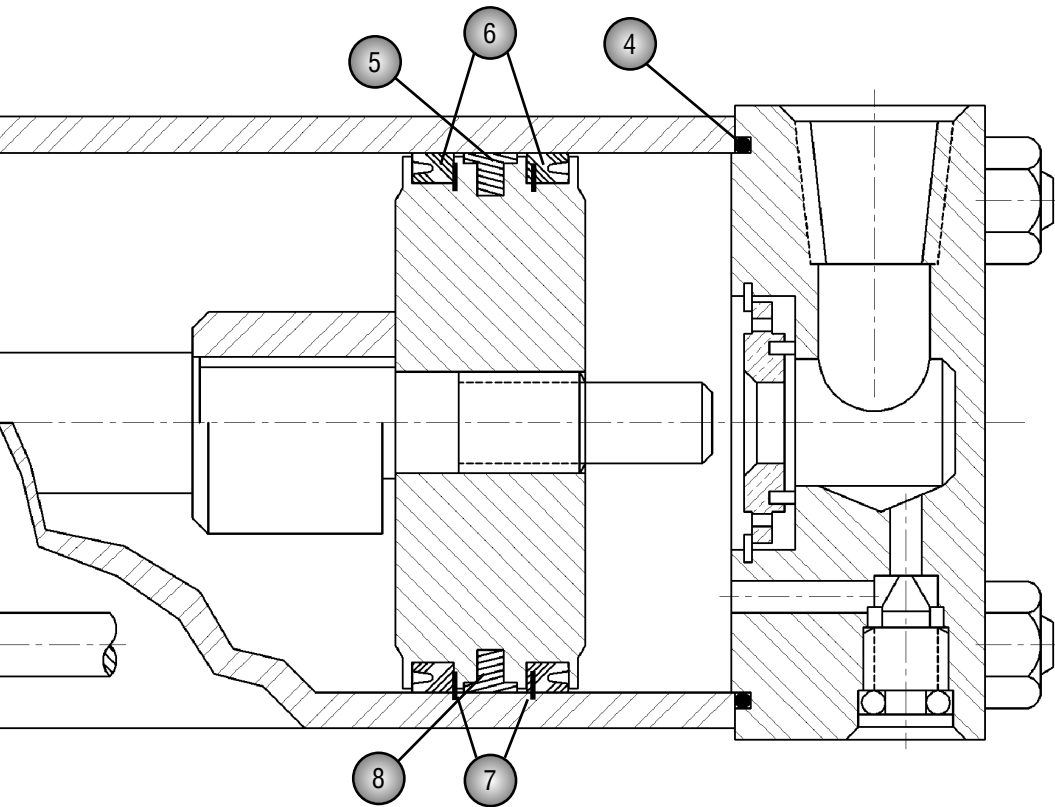
MOBILE  
SEAL KITS

PARKER

## 2MA SERIES

INDUSTRIAL  
SEAL KITS

MOBILE  
SEAL KITS



### COMPONENTS

- 1-GLAND CARTRIDGE
- 2-ROD WIPER
- 3-O-RING
- 4-BODY END - O-RING
- 5-GUIDING ELEMENT
- 6-PISTON LIP SEAL
- 7-B.UP RING
- 8-MAGNETIC RING

### PISTON SEAL KITS - Service Class 1 (4-5-6-7)

Rod	Bore	Ref. Number	\$
	1.250	RPH-PK1252MA01	24.20
	1.500	RPH-PK1502MA01	24.90
	2.000	RPH-PK2002MA01	25.25
	2.500	RPH-PK2502MA01	27.50
	3.250	RPH-PK3202MA01	31.75
	4.000	RPH-PK4002MA01	38.95
	5.000	RPH-PK5002MA01	72.25
	6.000	RPH-PK6002MA01	80.50
	8.000	RPH-PK8002MA01	125.10

### CYLINDER BODY END KITS - Service Class 1 (4)

Rod	Bore	Ref. Number	\$
	1.250	RPH-CB1252MA01	4.73
	1.500	RPH-CB1502MA01	5.11
	2.000	RPH-CB2002MA01	5.21
	2.500	RPH-CB2502MA01	5.27
	3.250	RPH-CB3202MA01	6.45
	4.000	RPH-CB4002MA01	7.26
	5.000	RPH-CB5002MA01	11.02
	6.000	RPH-CB6002MA01	11.56
	8.000	RPH-CB8002MA01	16.13

### PISTON SEAL KITS - Service Class 5 (4-5-6-7)

Rod	Bore	Ref. Number	\$
	1.250	RPH-PK1252MA05	44.45
	1.500	RPH-PK1502MA05	45.40
	2.000	RPH-PK2002MA05	64.95
	2.500	RPH-PK2502MA05	76.10
	3.250	RPH-PK3202MA05	82.60
	4.000	RPH-PK4002MA05	105.40
	5.000	RPH-PK5002MA05	148.50
	6.000	RPH-PK6002MA05	222.75
	8.000	RPH-PK8002MA05	330.80

### CYLINDER BODY END KITS - Service Class 5 (4)

Rod	Bore	Ref. Number	\$
	1.250	RPH-CB1252MA05	5.91
	1.500	RPH-CB1502MA05	6.18
	2.000	RPH-CB2002MA05	7.26
	2.500	RPH-CB2502MA05	8.06
	3.250	RPH-CB3202MA05	9.41
	4.000	RPH-CB4002MA05	9.68
	5.000	RPH-CB5002MA05	17.47
	6.000	RPH-CB6002MA05	27.41
	8.000	RPH-CB8002MA05	38.70

All manufacturer's names, part numbers and descriptions are used for reference purposes only. We do not imply that any part shown is the product of these manufacturers.

Tel.: (418) 688-3202  
Fax: (418) 688-4272

**KITS**

**69**

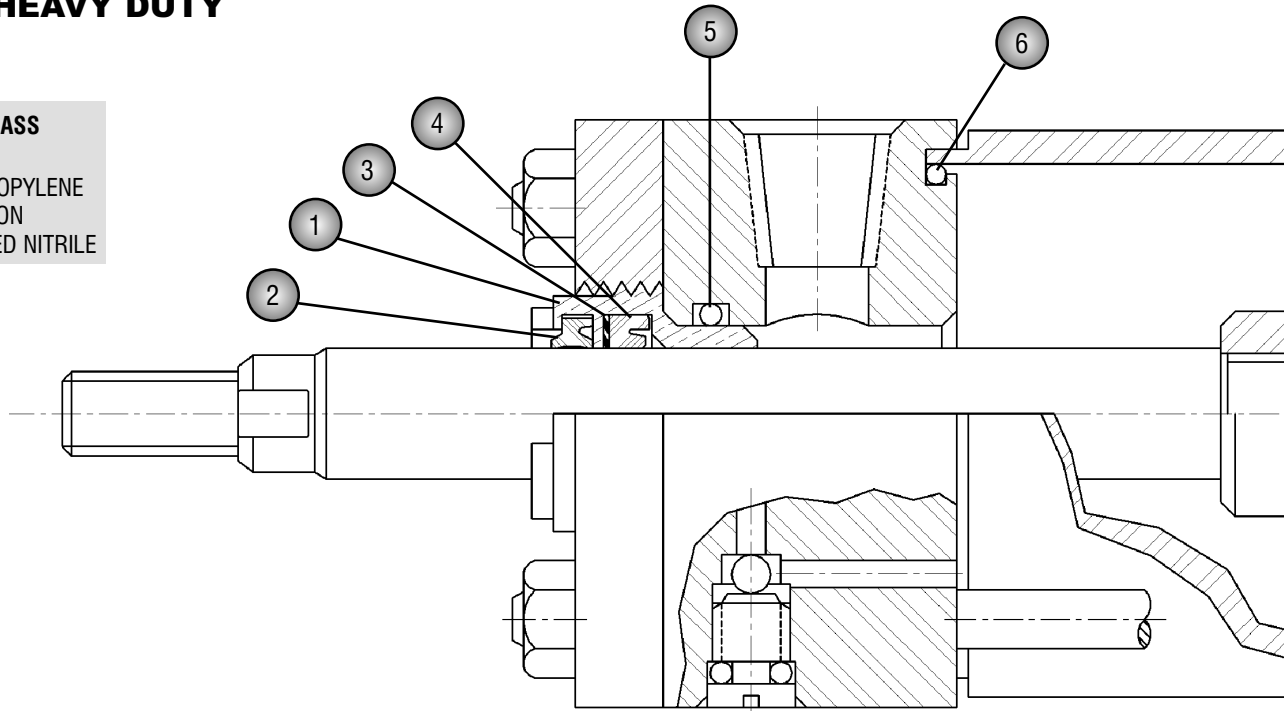
[www.sealsonline.com](http://www.sealsonline.com)

PARKER

## 2A SERIES AIR CYLINDER HEAVY DUTY

### SERVICE CLASS

- 1- NITRILE
- 3- ETHYLENE PROPYLENE
- 5- FLUOROCARBON
- 6- CARBOXYLATED NITRILE



### GLAND CARTRIDGE KITS - Service Class 1 (1-2-3-4-5)

Rod	Bore	Ref. Number	\$
0.500		RPH-RG2AHL0051	49.07
0.625		RPH-RG2AHL0061	50.26
1.000		RPH-RG2AHL0101	51.71
1.375		RPH-RG2AHL0131	63.00
1.750		RPH-RG2AHL0171	72.99
2.000		RPH-RG2AHL0201	91.05
2.500		RPH-RG2AHL0251	119.00
3.000		RPH-RG2AHL0301	137.98
3.500		RPH-RG2AHL0351	169.21
4.000		RPH-RG2AHL0401	217.80
4.500		RPH-RG2AHL0451	289.98
5.000		RPH-RG2AHL0501	321.37
5.500		RPH-RG2AHL0551	395.55

### ROD SEAL KITS - Service Class 1 (2-3-4-5)

Rod	Bore	Ref. Number	\$
0.500		RPH-RK2AHL0051	9.68
0.625		RPH-RK2AHL0061	10.48
1.000		RPH-RK2AHL0101	11.02
1.375		RPH-RK2AHL0131	11.83
1.750		RPH-RK2AHL0171	15.05
2.000		RPH-RK2AHL0201	17.20
2.500		RPH-RK2AHL0251	22.58
3.000		RPH-RK2AHL0301	40.58
3.500		RPH-RK2AHL0351	61.28
4.000		RPH-RK2AHL0401	71.76
4.500		RPH-RK2AHL0451	81.16
5.000		RPH-RK2AHL0501	100.51
5.500		RPH-RK2AHL0551	106.96

### GLAND CARTRIDGE KITS - Service Class 5 (1-2-3-4-5)

Rod	Bore	Ref. Number	\$
0.500		RPH-RG2AHL0055	81.54
0.625		RPH-RG2AHL0065	84.87
1.000		RPH-RG2AHL0105	88.58
1.375		RPH-RG2AHL0135	97.77
1.750		RPH-RG2AHL0175	106.80
2.000		RPH-RG2AHL0205	127.12
2.500		RPH-RG2AHL0255	158.08
3.000		RPH-RG2AHL0305	183.99
3.500		RPH-RG2AHL0355	208.39
4.000		RPH-RG2AHL0405	260.42
4.500		RPH-RG2AHL0455	324.87
5.000		RPH-RG2AHL0505	387.38
5.500		RPH-RG2AHL0555	516.11

### ROD SEAL KITS - Service Class 5 (2-3-4-5)

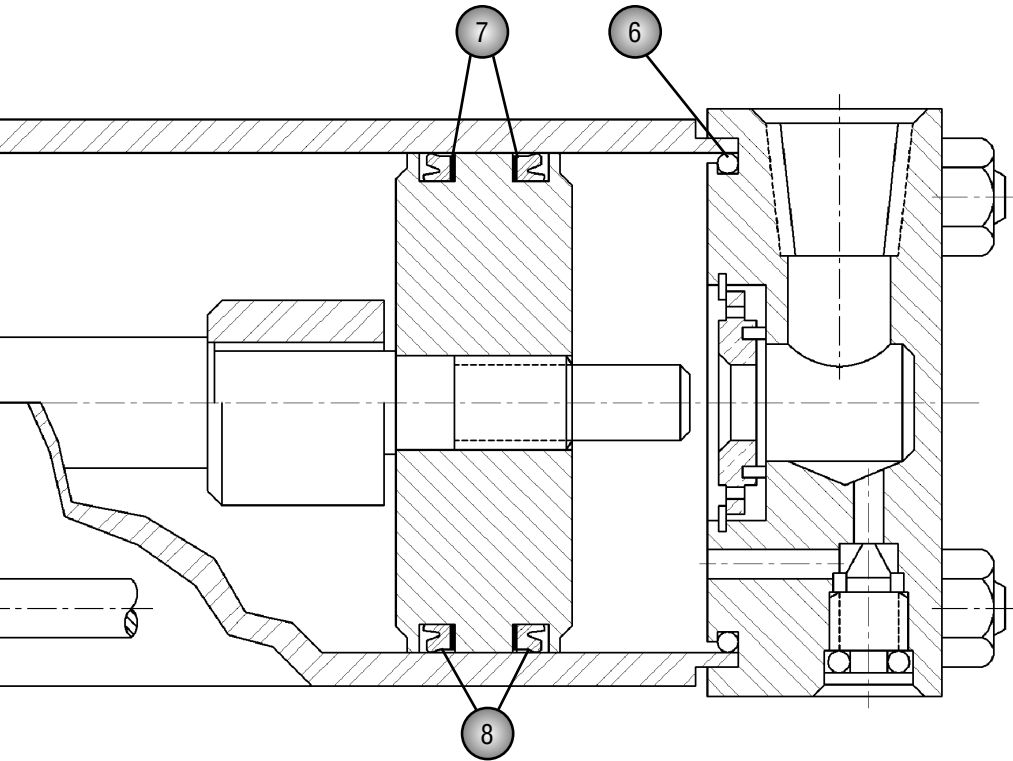
Rod	Bore	Ref. Number	\$
0.500		RPH-RK2AHL0055	33.06
0.625		RPH-RK2AHL0065	37.52
1.000		RPH-RK2AHL0105	37.63
1.375		RPH-RK2AHL0135	39.13
1.750		RPH-RK2AHL0175	41.44
2.000		RPH-RK2AHL0205	44.72
2.500		RPH-RK2AHL0255	53.11
3.000		RPH-RK2AHL0305	62.57
3.500		RPH-RK2AHL0355	81.49
4.000		RPH-RK2AHL0405	118.95
4.500		RPH-RK2AHL0455	146.31
5.000		RPH-RK2AHL0505	188.88
5.500		RPH-RK2AHL0555	235.64

All manufacturer's names, part numbers and descriptions are used for reference purposes only. We do not imply that any part shown is the product of these manufacturers.

INDUSTRIAL SEAL KITS

MOBILE SEAL KITS

PARKER



### COMPONENTS

- 1-GLAND CARTRIDGE
- 2-ROD WIPER
- 3-BACK-UP RING
- 4-ROD SEAL
- 5-O-RING
- 6-BODY END - O-RING
- 7-BACK-UP RING
- 8-PISTON SEAL

### PISTON SEAL KITS - Service Class 1 (6-7-8)

Rod	Bore	Ref. Number	\$
	1.000	RPH-PK1002A001	8.01
	1.500	RPH-PK1502A001	9.46
	2.000	RPH-PK2002A001	11.13
	2.500	RPH-PK2502A001	12.85
	3.250	RPH-PK3202A001	15.96
	4.000	RPH-PK4002A001	20.96
	5.000	RPH-PK5002A001	24.46
	6.000	RPH-PK6002A001	31.82
	7.000	RPH-PK7002A001	79.23
	8.000	RPH-PK8002A001	92.24
	10.000	RPH-PK9002A001	136.63
	12.000	RPH-PK9202A001	185.60
	14.000	RPH-PK9402A001	287.08

### CYLINDER BODY END KITS - Service Class 1 (6)

Rod	Bore	Ref. Number	\$
	1.000	RPH-CB102HL001	5.81
	1.500	RPH-CB152HL001	5.91
	2.000	RPH-CB202HL001	6.24
	2.500	RPH-CB252HL001	6.56
	3.250	RPH-CB322A0001	6.88
	4.000	RPH-CB402A0001	7.15
	5.000	RPH-CB502A0001	8.28
	6.000	RPH-CB602A0001	9.84
	7.000	RPH-CB702A0001	10.59
	8.000	RPH-CB802A0001	11.99
	10.000	RPH-CB902A0001	14.62
	12.000	RPH-CB922A0001	16.45
	14.000	RPH-CB942A0001	18.81

### PISTON SEAL KITS - Service Class 5 (6-7-8)

Rod	Bore	Ref. Number	\$
	1.000	RPH-PK1002A005	30.42
	1.500	RPH-PK1502A005	42.89
	2.000	RPH-PK2002A005	48.97
	2.500	RPH-PK2502A005	68.69
	3.250	RPH-PK3202A005	80.14
	4.000	RPH-PK4002A005	86.38
	5.000	RPH-PK5002A005	109.60
	6.000	RPH-PK6002A005	145.66
	7.000	RPH-PK7002A005	230.91
	8.000	RPH-PK8002A005	315.73
	10.000	RPH-PK9002A005	400.76
	12.000	RPH-PK9202A005	615.60
	14.000	RPH-PK9402A005	1005.77

### CYLINDER BODY END KITS - Service Class 5 (6)

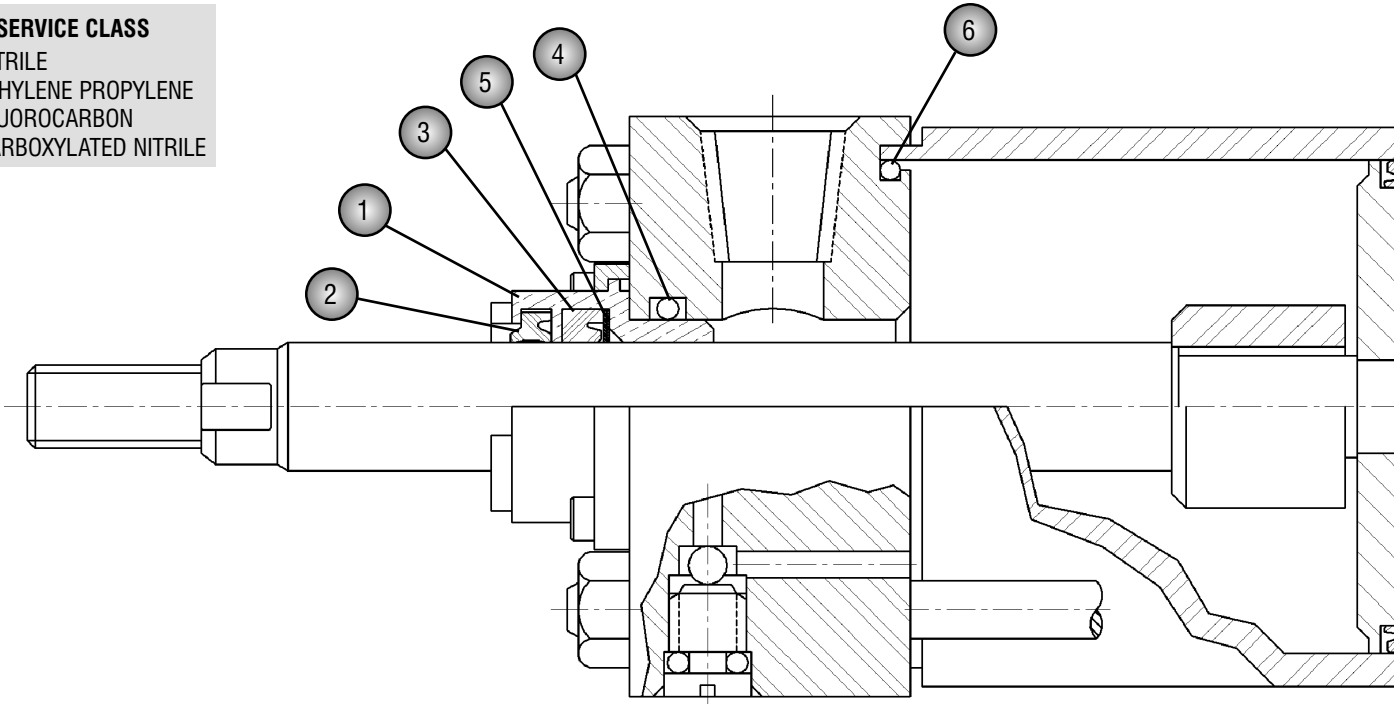
Rod	Bore	Ref. Number	\$
	1.000	RPH-CB102HL005	8.12
	1.500	RPH-CB152HL005	9.35
	2.000	RPH-CB202HL005	13.87
	2.500	RPH-CB252HL005	17.42
	3.250	RPH-CB322A0005	21.02
	4.000	RPH-CB402A0005	26.28
	5.000	RPH-CB502A0005	37.95
	6.000	RPH-CB602A0005	39.67
	7.000	RPH-CB702A0005	56.92
	8.000	RPH-CB802A0005	57.94
	10.000	RPH-CB902A0005	64.18
	12.000	RPH-CB922A0005	72.35
	14.000	RPH-CB942A0005	81.70

All manufacturer's names, part numbers and descriptions are used for reference purposes only. We do not imply that any part shown is the product of these manufacturers.

## 2AN AIR CYLINDER HEAVY DUTY SERIES

### SERVICE CLASS

- 1- NITRILE
- 3- ETHYLENE PROPYLENE
- 5- FLUOROCARBON
- 6- CARBOXYLATED NITRILE



### GLAND CARTRIDGE KITS - Service Class 1 (1-2-3-4-5\*) ROD SEAL KITS - Service Class 1 (2-3-4-5\*)

Rod	Bore	Ref. Number	\$	Rod	Bore	Ref. Number	\$
0.500		RPH-RG2AN00051	67.19	0.500		RPH-RK2AN00051	29.24
0.625		RPH-RG2AN00061	69.93	0.625		RPH-RK2AN00061	30.64
1.000		RPH-RG2AN00101	78.58	1.000		RPH-RK2AN00101	35.21
1.375		RPH-RG2AN00131	83.64	1.375		RPH-RK2AN00131	38.86
1.750		RPH-RG2AN00171	105.08	1.750		RPH-RK2AN00171	45.69
2.000		RPH-RG2AN00201	127.93	2.000		RPH-RK2AN00201	53.91
2.500		RPH-RG2AN00251	209.25	2.500		RPH-RK2AN00251	78.15
3.000		RPH-RG2AN00301	317.99	3.000		RPH-RK2AN00301	128.84
3.500		RPH-RG2AN00351	452.31	3.500		RPH-RK2AN00351	203.77
4.000		RPH-RG2AN00401	605.82	4.000		RPH-RK2AN00401	246.71
4.500		RPH-RG2AN00451	751.10	4.500		RPH-RK2AN00451	270.47
5.000		RPH-RG2AN00501	895.48	5.000		RPH-RK2AN00501	296.06
5.500		RPH-RG2AN00551	1003.30	5.500		RPH-RK2AN00551	353.62

All manufacturer's names, part numbers and descriptions are used for reference purposes only. We do not imply that any part shown is the product of these manufacturers.

INDUSTRIAL SEAL KITS

MOBILE SEAL KITS

PARKER

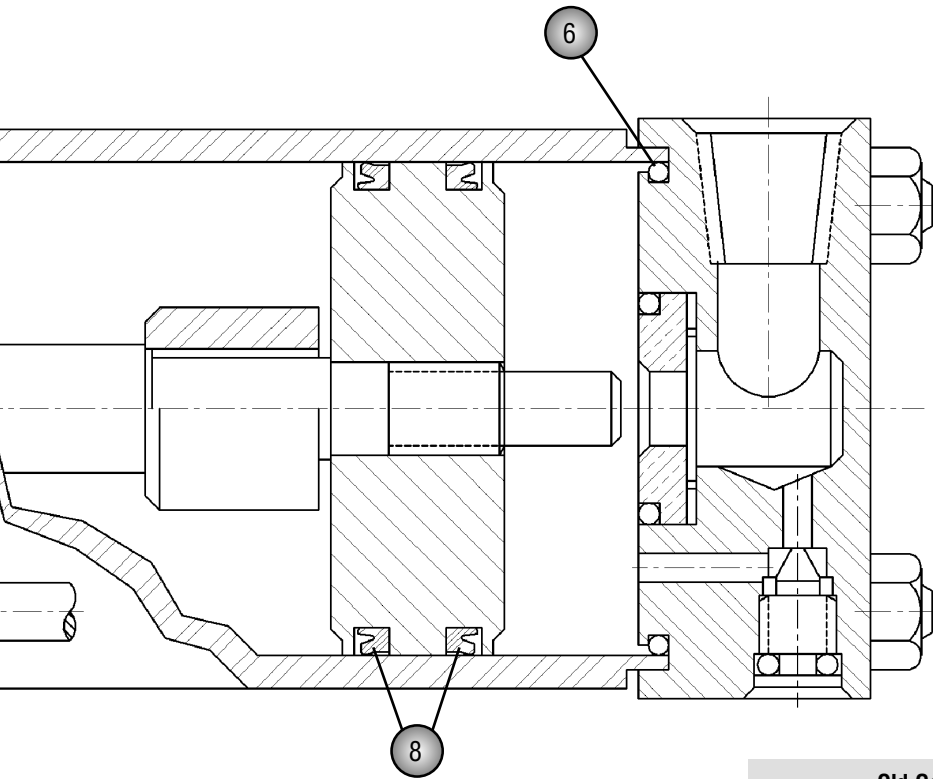
## 2AN SERIES

INDUSTRIAL  
SEAL KITS

MOBILE  
SEAL KITS

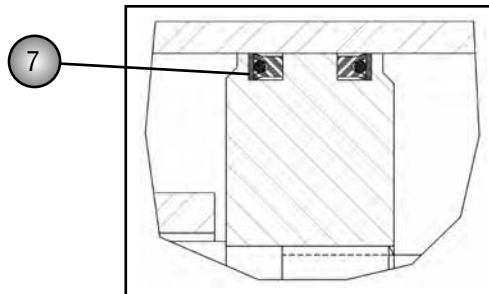
### COMPONENTS

- 1-GLAND CARTRIDGE
- 2-ROD WIPER
- 3-ROD SEAL
- 4-O-RING
- 5-WICK & WASHER\*
- 6-BODY END - O-RING
- 7-WICK & WASHER\*\*
- 8-PISTON LIP SEAL



\* FOR 3.000" TO 5.500" ROD ONLY  
\*\* FOR 14.000" BORE ONLY

### Old Generation



### PISTON SEAL KITS - Service Class 1 (6-7\*\*-8)

Rod	Bore	Ref. Number	\$
	1.000	RPH-PK1002AN01	30.48
	1.500	RPH-PK1502AN01	33.86
	2.000	RPH-PK2002AN01	37.84
	2.500	RPH-PK2502AN01	40.37
	3.250	RPH-PK3202AN01	48.54
	4.000	RPH-PK4002AN01	56.71
	5.000	RPH-PK5002AN01	71.00
	6.000	RPH-PK6002AN01	106.21
	7.000	RPH-PK7002AN01	155.23
	8.000	RPH-PK8002AN01	197.10
	10.000	RPH-PK9002AN01	287.99
	12.000	RPH-PK9202AN01	606.62
	14.000	RPH-PK9402AN01	731.22

### CYLINDER BODY END KITS - Service Class 1 (6-7\*\*-8)

Rod	Bore	Ref. Number	\$
	1.000	RPH-CB102HL001	5.81
	1.500	RPH-CB152HL001	5.91
	2.000	RPH-CB202HL001	6.24
	2.500	RPH-CB252HL001	6.56
	3.250	RPH-CB322A0001	6.88
	4.000	RPH-CB402A0001	7.15
	5.000	RPH-CB502A0001	8.28
	6.000	RPH-CB602A0001	9.84
	7.000	RPH-CB702A0001	10.59
	8.000	RPH-CB802A0001	11.99
	10.000	RPH-CB902A0001	14.62
	12.000	RPH-CB922A0001	16.45
	14.000	RPH-CB942A0001	18.81

All manufacturer's names, part numbers and descriptions are used for reference purposes only. We do not imply that any part shown is the product of these manufacturers.

Tel.: (905) 362-0889  
Fax: (888) 238-1664

**KITS 73**

[www.sealsonline.com](http://www.sealsonline.com)

PARKER

## 3L SERIES

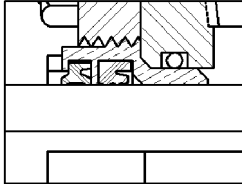
## HYDRAULIC CYLINDER MEDIUM DUTY

### SERVICE CLASS

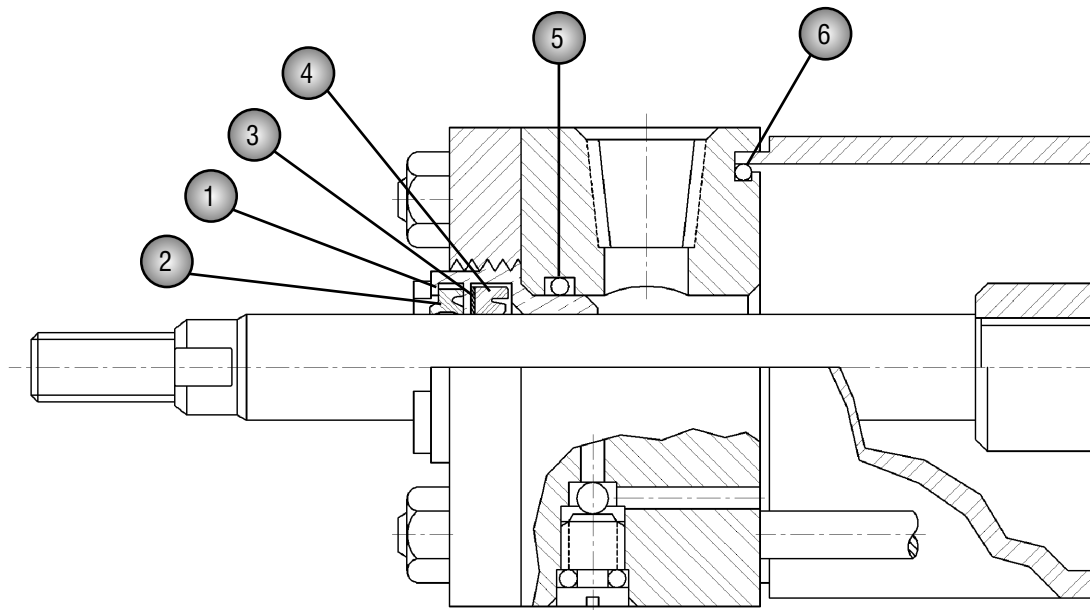
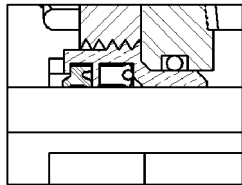
- 1- NITRILE
- 3- ETHYLENE PROPYLENE
- 5- FLUOROCARBON
- 6- CARBOXYLATED NITRILE

### OPTIONS

#### TS Series



#### Polypak Series



### GLAND CARTRIDGE KITS - Service Class 1 (1-2-3-4-5)

Rod	Bore	Ref. Number	\$
0.500		RPH-RG2AHL0051	49.07
0.625		RPH-RG2AHL0061	50.26
1.000		RPH-RG2AHL0101	51.71
1.375		RPH-RG2AHL0131	63.00
1.750		RPH-RG2AHL0171	72.99
2.000		RPH-RG2AHL0201	91.05
2.500		RPH-RG2AHL0251	119.00
3.000		RPH-RG2AHL0301	137.98
3.500		RPH-RG2AHL0351	169.21
4.000		RPH-RG2AHL0401	217.80
4.500		RPH-RG2AHL0451	289.98
5.000		RPH-RG2AHL0501	321.37
5.500		RPH-RG2AHL0551	395.55

### ROD SEAL KITS - Service Class 1 (2-3-4-5)

Rod	Bore	Ref. Number	\$
0.500		RPH-RK2AHL0051	9.68
0.625		RPH-RK2AHL0061	10.48
1.000		RPH-RK2AHL0101	11.02
1.375		RPH-RK2AHL0131	11.83
1.750		RPH-RK2AHL0171	15.05
2.000		RPH-RK2AHL0201	17.20
2.500		RPH-RK2AHL0251	22.58
3.000		RPH-RK2AHL0301	40.58
3.500		RPH-RK2AHL0351	61.28
4.000		RPH-RK2AHL0401	71.76
4.500		RPH-RK2AHL0451	81.16
5.000		RPH-RK2AHL0501	100.51
5.500		RPH-RK2AHL0551	106.96

### GLAND CARTRIDGE KITS - Service Class 5 (1-2-3-4-5)

Rod	Bore	Ref. Number	\$
0.500		RPH-RG2AHL0055	81.54
0.625		RPH-RG2AHL0065	84.87
1.000		RPH-RG2AHL0105	88.58
1.375		RPH-RG2AHL0135	97.77
1.750		RPH-RG2AHL0175	106.80
2.000		RPH-RG2AHL0205	127.12
2.500		RPH-RG2AHL0255	158.08
3.000		RPH-RG2AHL0305	183.99
3.500		RPH-RG2AHL0355	208.39
4.000		RPH-RG2AHL0405	260.42
4.500		RPH-RG2AHL0455	324.87
5.000		RPH-RG2AHL0505	387.38
5.500		RPH-RG2AHL0555	516.11

### ROD SEAL KITS - Service Class 5 (2-3-4-5)

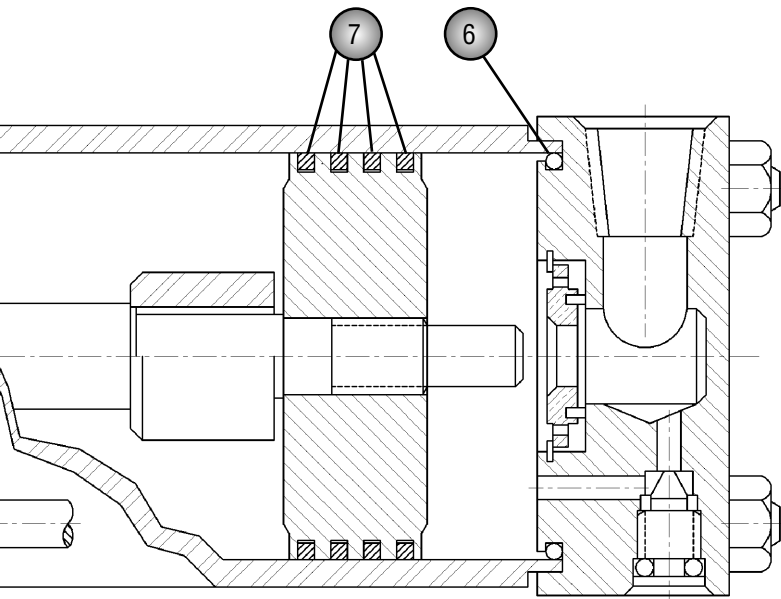
Rod	Bore	Ref. Number	\$
0.500		RPH-RK2AHL0055	33.06
0.625		RPH-RK2AHL0065	37.52
1.000		RPH-RK2AHL0105	37.63
1.375		RPH-RK2AHL0135	39.13
1.750		RPH-RK2AHL0175	41.44
2.000		RPH-RK2AHL0205	44.72
2.500		RPH-RK2AHL0255	53.11
3.000		RPH-RK2AHL0305	62.57
3.500		RPH-RK2AHL0355	81.49
4.000		RPH-RK2AHL0405	118.95
4.500		RPH-RK2AHL0455	146.31
5.000		RPH-RK2AHL0505	188.88
5.500		RPH-RK2AHL0555	235.64

All manufacturer's names, part numbers and descriptions are used for reference purposes only. We do not imply that any part shown is the product of these manufacturers.

INDUSTRIAL  
SEAL KITS

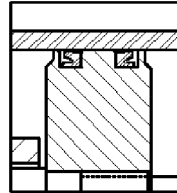
MOBILE  
SEAL KITS

PARKER



### OPTIONS

#### Piston Lipseal



### COMPONENTS

- 1-GLAND CARTRIDGE
- 2-ROD WIPER
- 3-BACK-UP RING
- 4-ROD SEAL
- 5-O-RING
- 6-BODY END - O-RING
- 7-PISTON RING

### GLAND CARTRIDGE KITS - Service Class 1 (OPTIONAL)

Rod	Bore	Ref. Number	\$
0.500		RPH-RG2HLTS051	75.14
0.625		RPH-RG2HLTS061	78.26
1.000		RPH-RG2HLTS101	88.80
1.375		RPH-RG2HLTS131	103.85
1.750		RPH-RG2HLTS171	111.48
2.000		RPH-RG2HLTS201	147.54
2.500		RPH-RG2HLTS251	195.01
3.000		RPH-RG2HLTS301	241.77
3.500		RPH-RG2HLTS351	376.52
4.000		RPH-RG2HLTS401	407.05
4.500		RPH-RG2HLTS451	432.10
5.000		RPH-RG2HLTS501	499.34
5.500		RPH-RG2HLTS551	520.30

### GLAND CARTRIDGE KITS - Service Class 1 (OPTIONAL)

Rod	Bore	Ref. Number	\$
0.625		RPH-RGDHLTS061	98.36
1.000		RPH-RGDHLTS101	105.35
1.375		RPH-RGDHLTS131	114.22
1.750		RPH-RGDHLTS171	143.35
2.000		RPH-RGDHLTS201	172.00
2.500		RPH-RGDHLTS251	239.19
3.000		RPH-RGDHLTS301	314.71
3.500		RPH-RGDHLTS351	640.27
4.000		RPH-RGDHLTS401	720.25
4.500		RPH-RGDHLTS451	886.88
5.000		RPH-RGDHLTS501	998.68
5.500		RPH-RGDHLTS551	1073.93

### ROD SEAL KITS - Service Class 1 (OPTIONAL)

Rod	Bore	Ref. Number	\$
0.500		RPH-RK2HLTS051	25.75
0.625		RPH-RK2HLTS061	26.18
1.000		RPH-RK2HLTS101	27.41
1.375		RPH-RK2HLTS131	28.11
1.750		RPH-RK2HLTS171	33.70
2.000		RPH-RK2HLTS201	39.45
2.500		RPH-RK2HLTS251	42.46
3.000		RPH-RK2HLTS301	56.28
3.500		RPH-RK2HLTS351	63.16
4.000		RPH-RK2HLTS401	74.77
4.500		RPH-RK2HLTS451	80.46
5.000		RPH-RK2HLTS501	89.44
5.500		RPH-RK2HLTS551	94.76

### GLAND CARTRIDGE KITS - Service Class 1 (OPTIONAL)

Rod	Bore	Ref. Number	\$
0.500		RPH-RGPAHL0051	58.86
0.625		RPH-RGPAHL0061	60.25
1.000		RPH-RGPAHL0101	62.03
1.375		RPH-RGPAHL0131	75.63
1.750		RPH-RGPAHL0171	87.61
2.000		RPH-RGPAHL0201	109.27
2.500		RPH-RGPAHL0251	142.81
3.000		RPH-RGPAHL0301	165.55
3.500		RPH-RGPAHL0351	305.62
4.000		RPH-RGPAHL0401	403.99
4.500		RPH-RGPAHL0451	426.45
5.000		RPH-RGPAHL0501	474.08
5.500		RPH-RGPAHL0551	493.96

All manufacturer's names, part numbers and descriptions are used for reference purposes only. We do not imply that any part shown is the product of these manufacturers.



## 3L SERIES

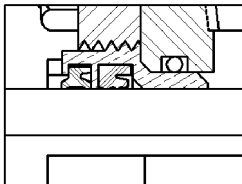
## HYDRAULIC CYLINDER MEDIUM DUTY

### SERVICE CLASS

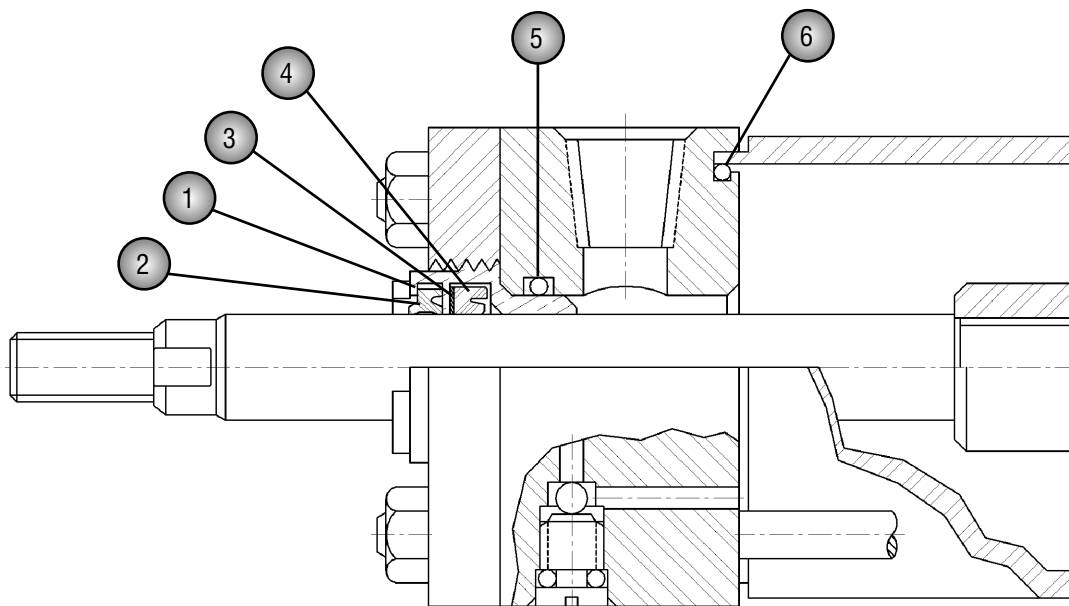
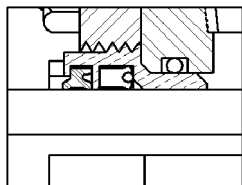
- 1- NITRILE
- 3- ETHYLENE PROPYLENE
- 5- FLUOROCARBON
- 6- CARBOXYLATED NITRILE

### OPTIONS

#### TS Series



#### Polypak Series



**PISTON RING KITS - Service Class 1 (6-7)**

Rod	Bore	Ref. Number	\$
	1.000	RPH-PR102H0001	70.36
	1.500	RPH-PR152H0001	39.35
	2.000	RPH-PR202H0001	41.98
	2.500	RPH-PR252H0001	42.46
	3.250	RPH-PR322H0001	45.90
	4.000	RPH-PR402H0001	47.25
	5.000	RPH-PR502H0001	62.24
	6.000	RPH-PR602H0001	93.58
	7.000	RPH-PR702H0001	104.54
	8.000	RPH-PR802H0001	159.80

**PISTON LIPSEAL KITS - Service Class 1 (OPTIONAL)**

Rod	Bore	Ref. Number	\$
	1.000	RPH-PK102HLL01	8.39
	1.500	RPH-PK152HLL01	9.78
	2.000	RPH-PK202HLL01	11.66
	2.500	RPH-PK252HLL01	13.49
	3.250	RPH-PK322HLL01	16.72
	4.000	RPH-PK402HLL01	21.98
	5.000	RPH-PK502HLL01	25.53
	6.000	RPH-PK602HLL01	33.22
	7.000	RPH-PK702HLL01	88.20
	8.000	RPH-PK802HLL01	96.59

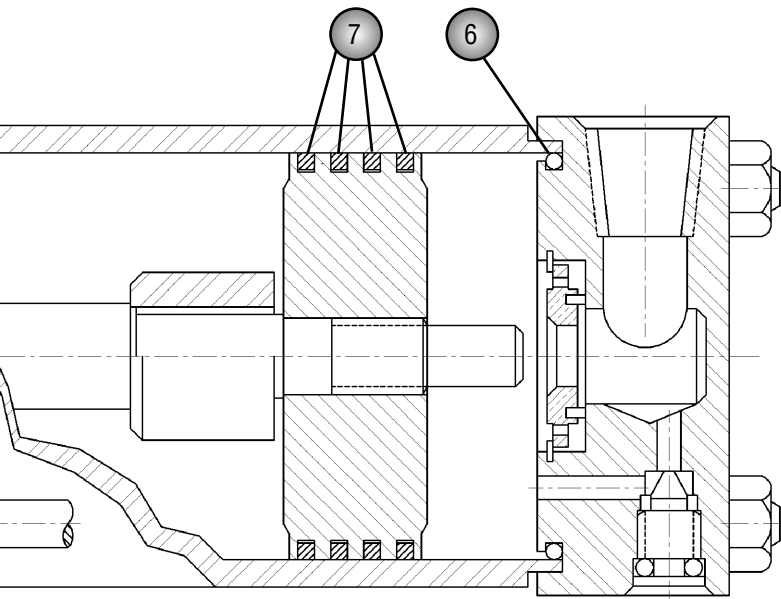
**PISTON RING KITS - Service Class 5 (6-7)**

Rod	Bore	Ref. Number	\$
	1.000	RPH-PR102H0005	71.49
	1.500	RPH-PR152H0005	45.58
	2.000	RPH-PR202H0005	47.25
	2.500	RPH-PR252H0005	47.89
	3.250	RPH-PR322H0005	57.08
	4.000	RPH-PR402H0005	58.16
	5.000	RPH-PR502H0005	82.45
	6.000	RPH-PR602H0005	99.81
	7.000	RPH-PR702H0005	122.87
	8.000	RPH-PR802H0005	170.50

**PISTON LIPSEAL KITS - Service Class 5 (OPTIONAL)**

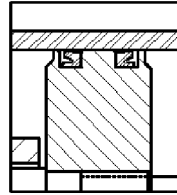
Rod	Bore	Ref. Number	\$
	1.000	RPH-PK102HLL05	43.27
	1.500	RPH-PK152HLL05	45.85
	2.000	RPH-PK202HLL05	72.40
	2.500	RPH-PK252HLL05	75.20
	3.250	RPH-PK322HLL05	76.43
	4.000	RPH-PK402HLL05	95.41
	5.000	RPH-PK502HLL05	114.06
	6.000	RPH-PK602HLL05	152.49
	7.000	RPH-PK702HLL05	241.71
	8.000	RPH-PK802HLL05	330.67

All manufacturer's names, part numbers and descriptions are used for reference purposes only. We do not imply that any part shown is the product of these manufacturers.



### OPTIONS

#### Piston Lipseal



### COMPONENTS

- 1-GLAND CARTRIDGE
- 2-ROD WIPER
- 3-BACK-UP RING
- 4-ROD SEAL
- 5-O-RING
- 6-BODY END - O-RING
- 7-PISTON RING

### CYLINDER BODY END KITS- Service Class 1 (6)

Rod	Bore	Ref. Number	\$
	1.000	RPH-CB102HL001	5.81
	1.500	RPH-CB152HL001	5.91
	2.000	RPH-CB202HL001	6.24
	2.500	RPH-CB252HL001	6.56
	3.250	RPH-CB322HL001	6.88
	4.000	RPH-CB402HL001	7.15
	5.000	RPH-CB502HL001	8.28
	6.000	RPH-CB602HL001	9.84
	7.000	RPH-CB702HL001	10.59
	8.000	RPH-CB802HL001	11.99

### CYLINDER BODY END KITS - Service Class 5 (6)

Rod	Bore	Ref. Number	\$
	1.000	RPH-CB102HL005	8.12
	1.500	RPH-CB152HL005	9.35
	2.000	RPH-CB202HL005	13.87
	2.500	RPH-CB252HL005	17.42
	3.250	RPH-CB322HL005	21.02
	4.000	RPH-CB402HL005	26.28
	5.000	RPH-CB502HL005	37.95
	6.000	RPH-CB602HL005	39.67
	7.000	RPH-CB702HL005	56.92
	8.000	RPH-CB802HL005	57.94

All manufacturer's names, part numbers and descriptions are used for reference purposes only. We do not imply that any part shown is the product of these manufacturers.

Tel.: (780) 414-1871  
Fax: (780) 487-5419

**KITS**

**77**

[www.sealsonline.com](http://www.sealsonline.com)

## 2H/VH SERIES

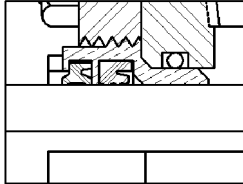
### HYDRAULIC CYLINDER HEAVY DUTY

#### SERVICE CLASS

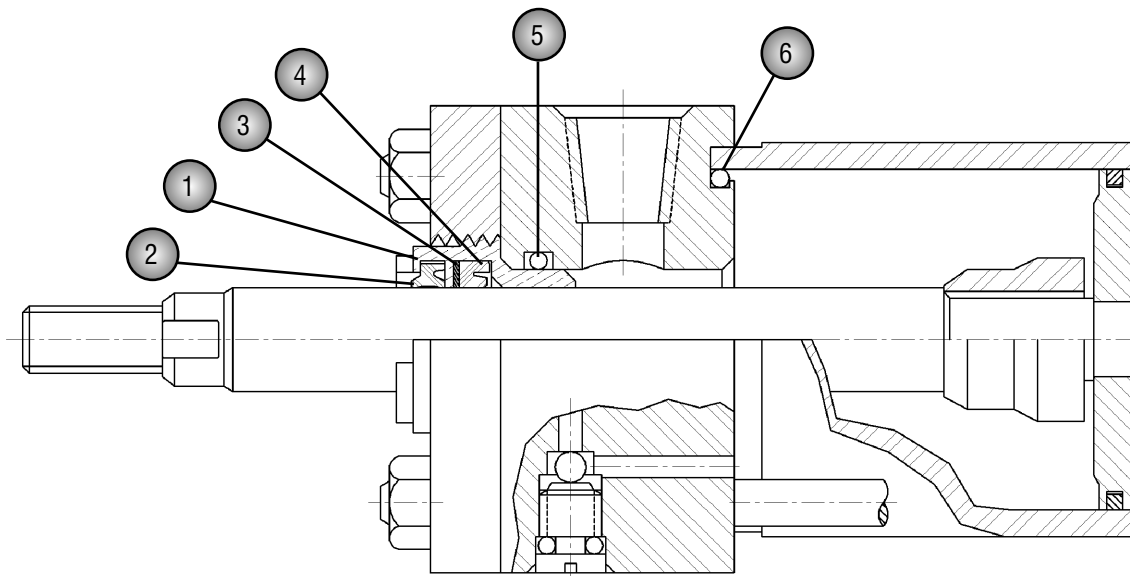
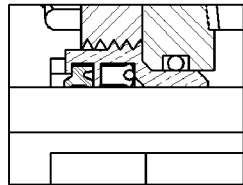
- 1- NITRILE
- 3- ETHYLENE PROPYLENE
- 5- FLUOROCARBON
- 6- CARBOXYLATED NITRILE

#### OPTIONS

#### TS Series



#### Polypak Series



\*RG kits listed above are not applicable to 10 and 12" bore series cylinders. Contact us for more information on them.

#### GLAND CARTRIDGE KITS\* - Service Class 1 (1-2-3-4-5)

Rod	Bore	Ref. Number	\$
0.500		RPH-RG2AHL0051	49.07
0.625		RPH-RG2AHL0061	50.26
1.000		RPH-RG2AHL0101	51.71
1.375		RPH-RG2AHL0131	63.00
1.750		RPH-RG2AHL0171	72.99
2.000		RPH-RG2AHL0201	91.05
2.500		RPH-RG2AHL0251	119.00
3.000		RPH-RG2AHL0301	137.98
3.500		RPH-RG2AHL0351	169.21
4.000		RPH-RG2AHL0401	217.80
4.500		RPH-RG2AHL0451	289.98
5.000		RPH-RG2AHL0501	321.37
5.500		RPH-RG2AHL0551	395.55

#### ROD SEAL KITS\* - Service Class 1 (2-3-4-5)

Rod	Bore	Ref. Number	\$
0.500		RPH-RK2AHL0051	9.68
0.625		RPH-RK2AHL0061	10.48
1.000		RPH-RK2AHL0101	11.02
1.375		RPH-RK2AHL0131	11.83
1.750		RPH-RK2AHL0171	15.05
2.000		RPH-RK2AHL0201	17.20
2.500		RPH-RK2AHL0251	22.58
3.000		RPH-RK2AHL0301	40.58
3.500		RPH-RK2AHL0351	61.28
4.000		RPH-RK2AHL0401	71.76
4.500		RPH-RK2AHL0451	81.16
5.000		RPH-RK2AHL0501	100.51
5.500		RPH-RK2AHL0551	106.96

#### GLAND CARTRIDGE KITS\* - Service Class 5 (1-2-3-4-5)

Rod	Bore	Ref. Number	\$
0.500		RPH-RG2AHL0055	81.54
0.625		RPH-RG2AHL0065	84.87
1.000		RPH-RG2AHL0105	88.58
1.375		RPH-RG2AHL0135	97.77
1.750		RPH-RG2AHL0175	106.80
2.000		RPH-RG2AHL0205	127.12
2.500		RPH-RG2AHL0255	158.08
3.000		RPH-RG2AHL0305	183.99
3.500		RPH-RG2AHL0355	208.39
4.000		RPH-RG2AHL0405	260.42
4.500		RPH-RG2AHL0455	324.87
5.000		RPH-RG2AHL0505	387.38
5.500		RPH-RG2AHL0555	516.11

#### ROD SEAL KITS\* - Service Class 5 (2-3-4-5)

Rod	Bore	Ref. Number	\$
0.500		RPH-RK2AHL0055	33.06
0.625		RPH-RK2AHL0065	37.52
1.000		RPH-RK2AHL0105	37.63
1.375		RPH-RK2AHL0135	39.13
1.750		RPH-RK2AHL0175	41.44
2.000		RPH-RK2AHL0205	44.72
2.500		RPH-RK2AHL0255	53.11
3.000		RPH-RK2AHL0305	62.57
3.500		RPH-RK2AHL0355	81.49
4.000		RPH-RK2AHL0405	118.95
4.500		RPH-RK2AHL0455	146.31
5.000		RPH-RK2AHL0505	188.88
5.500		RPH-RK2AHL0555	235.64

All manufacturer's names, part numbers and descriptions are used for reference purposes only. We do not imply that any part shown is the product of these manufacturers.

INDUSTRIAL  
SEAL KITS

MOBILE  
SEAL KITS

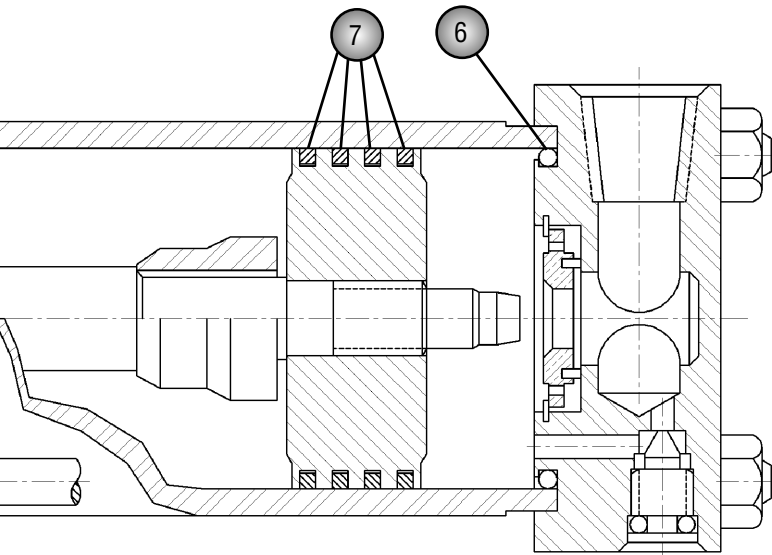
PARKER

## 2H/VH SERIES

INDUSTRIAL  
SEAL KITS

MOBILE  
SEAL KITS

PARKER

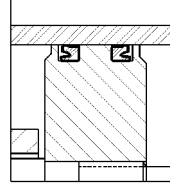


### COMPONENTS

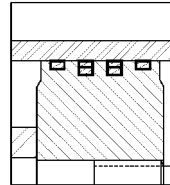
- 1-GLAND CARTRIDGE
- 2-ROD WIPER
- 3-BACK-UP RING
- 4-ROD SEAL
- 5-O-RING
- 6-BODY END - O-RING
- 7-PISTON RING

### OPTIONS

#### Piston Lipseal



#### Piston Hi-Load



GLAND CARTRIDGE KITS\*- Service Class 1 (OPTIONAL)

Rod	Bore	Ref. Number	\$
0.500		RPH-RG2HLTS051	75.14
0.625		RPH-RG2HLTS061	78.26
1.000		RPH-RG2HLTS101	88.80
1.375		RPH-RG2HLTS131	103.85
1.750		RPH-RG2HLTS171	111.48
2.000		RPH-RG2HLTS201	147.54
2.500		RPH-RG2HLTS251	195.01
3.000		RPH-RG2HLTS301	241.77
3.500		RPH-RG2HLTS351	376.52
4.000		RPH-RG2HLTS401	407.05
4.500		RPH-RG2HLTS451	432.10
5.000		RPH-RG2HLTS501	499.34
5.500		RPH-RG2HLTS551	520.30

GLAND CARTRIDGE KITS\*- Service Class 1 (OPTIONAL)

Rod	Bore	Ref. Number	\$
0.625		RPH-RGDHLTS061	98.36
1.000		RPH-RGDHLTS101	105.35
1.375		RPH-RGDHLTS131	114.22
1.750		RPH-RGDHLTS171	143.35
2.000		RPH-RGDHLTS201	172.00
2.500		RPH-RGDHLTS251	239.19
3.000		RPH-RGDHLTS301	314.71
3.500		RPH-RGDHLTS351	640.27
4.000		RPH-RGDHLTS401	720.25
4.500		RPH-RGDHLTS451	886.88
5.000		RPH-RGDHLTS501	998.68
5.500		RPH-RGDHLTS551	1073.93

ROD SEAL KITS\*- Service Class 1 (OPTIONAL)

Rod	Bore	Ref. Number	\$
0.500		RPH-RK2HLTS051	25.75
0.625		RPH-RK2HLTS061	26.18
1.000		RPH-RK2HLTS101	27.41
1.375		RPH-RK2HLTS131	28.11
1.750		RPH-RK2HLTS171	33.70
2.000		RPH-RK2HLTS201	39.45
2.500		RPH-RK2HLTS251	42.46
3.000		RPH-RK2HLTS301	56.28
3.500		RPH-RK2HLTS351	63.16
4.000		RPH-RK2HLTS401	74.77
4.500		RPH-RK2HLTS451	80.46
5.000		RPH-RK2HLTS501	89.44
5.500		RPH-RK2HLTS551	94.76

GLAND CARTRIDGE KITS\*- Service Class 1 (OPTIONAL)

Rod	Bore	Ref. Number	\$
0.500		RPH-RGPAHL0051	58.86
0.625		RPH-RGPAHL0061	60.31
1.000		RPH-RGPAHL0101	62.03
1.375		RPH-RGPAHL0131	75.63
1.750		RPH-RGPAHL0171	87.61
2.000		RPH-RGPAHL0201	109.27
2.500		RPH-RGPAHL0251	142.81
3.000		RPH-RGPAHL0301	165.55
3.500		RPH-RGPAHL0351	305.62
4.000		RPH-RGPAHL0401	403.99
4.500		RPH-RGPAHL0451	426.45
5.000		RPH-RGPAHL0501	474.08
5.500		RPH-RGPAHL0551	493.96

All manufacturer's names, part numbers and descriptions are used for reference purposes only. We do not imply that any part shown is the product of these manufacturers.

Tel.: (403) 279-1871  
Fax: (403) 279-1821

**KITS 79**

[www.sealsonline.com](http://www.sealsonline.com)

## 2H/VH SERIES

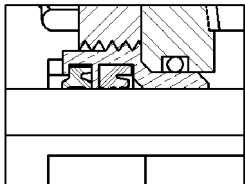
### HYDRAULIC CYLINDER HEAVY DUTY

#### SERVICE CLASS

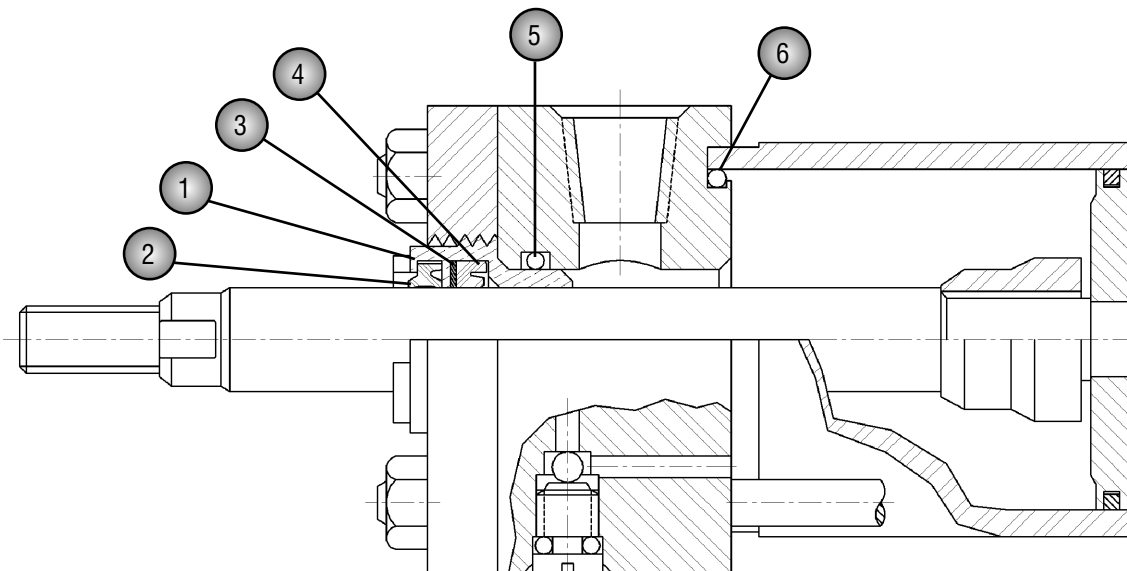
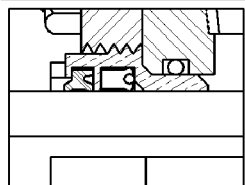
- 1- NITRILE
- 3- ETHYLENE PROPYLENE
- 5- FLUOROCARBON
- 6- CARBOXYLATED NITRILE

#### OPTIONS

#### TS Series



#### Polypak Series



**PISTON RING KITS - Service Class 1 (6-7)**

Rod	Bore	Ref. Number	\$
	1.000	RPH-PR102H0001	70.36
	1.500	RPH-PR152H0001	39.35
	2.000	RPH-PR202H0001	41.98
	2.500	RPH-PR252H0001	42.46
	3.250	RPH-PR322H0001	45.90
	4.000	RPH-PR402H0001	47.25
	5.000	RPH-PR502H0001	62.24
	6.000	RPH-PR602H0001	93.58
	7.000	RPH-PR702H0001	104.60
	8.000	RPH-PR802H0001	159.80
	10.000	RPH-PR902H0001	436.56
	12.000	RPH-PR922H0001	699.13

**PISTON LIPSEAL KITS - Service Class 1 (OPTIONAL)**

Rod	Bore	Ref. Number	\$
	1.000	RPH-PK102HLL01	8.39
	1.500	RPH-PK152HLL01	9.78
	2.000	RPH-PK202HLL01	11.66
	2.500	RPH-PK252HLL01	13.49
	3.250	RPH-PK322HLL01	16.72
	4.000	RPH-PK402HLL01	21.98
	5.000	RPH-PK502HLL01	25.53
	6.000	RPH-PK602HLL01	33.22
	7.000	RPH-PK702HLL01	88.20
	8.000	RPH-PK802HLL01	96.59
	10.000	RPH-PK902HLL01	172.27
	12.000	RPH-PK922HLL01	241.93

**PISTON RING KITS - Service Class 5 (6-7)**

Rod	Bore	Ref. Number	\$
	1.000	RPH-PR102H0005	71.49
	1.500	RPH-PR152H0005	45.58
	2.000	RPH-PR202H0005	47.25
	2.500	RPH-PR252H0005	47.89
	3.250	RPH-PR322H0005	57.08
	4.000	RPH-PR402H0005	58.16
	5.000	RPH-PR502H0005	82.45
	6.000	RPH-PR602H0005	99.81
	7.000	RPH-PR702H0005	122.87
	8.000	RPH-PR802H0005	170.50
	10.000	RPH-PR902H0005	488.21
	12.000	RPH-PR922H0005	815.98

**PISTON LIPSEAL KITS - Service Class 5 (OPTIONAL)**

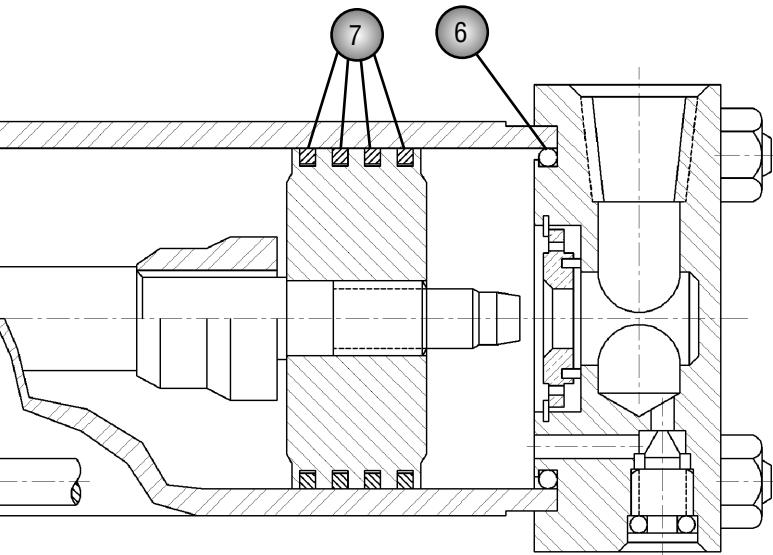
Rod	Bore	Ref. Number	\$
	1.000	RPH-PK102HLL05	43.27
	1.500	RPH-PK152HLL05	45.85
	2.000	RPH-PK202HLL05	72.40
	2.500	RPH-PK252HLL05	75.20
	3.250	RPH-PK322HLL05	76.43
	4.000	RPH-PK402HLL05	95.41
	5.000	RPH-PK502HLL05	114.06
	6.000	RPH-PK602HLL05	152.49
	7.000	RPH-PK702HLL05	241.71
	8.000	RPH-PK802HLL05	330.67
	10.000	RPH-PK902HLL05	516.70
	12.000	RPH-PK922HLL05	644.68

All manufacturer's names, part numbers and descriptions are used for reference purposes only. We do not imply that any part shown is the product of these manufacturers.

INDUSTRIAL  
SEAL KITS

MOBILE  
SEAL KITS

PARKER

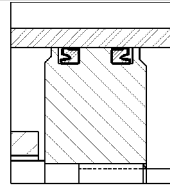


### COMPONENTS

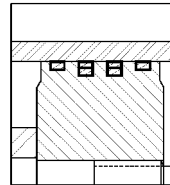
- 1-GLAND CARTRIDGE
- 2-ROD WIPER
- 3-BACK-UP RING
- 4-ROD SEAL
- 5-O-RING
- 6-BODY END - O-RING
- 7-PISTON RING

### OPTIONS

#### Piston Lipseal



#### Piston Hi-Load



### HI-LOAD PISTON SEAL KITS-Service Class 1 (OPTIONAL) CYLINDER BODY END KITS - Service Class 1 (6)

Rod	Bore	Ref. Number	\$
	1.500	RPH-PK152HK001	21.61
	2.000	RPH-PK202HK001	26.98
	2.500	RPH-PK252HK001	28.00
	3.250	RPH-PK322HK001	31.01
	4.000	RPH-PK402HK001	33.11
	5.000	RPH-PK502HK001	35.64
	6.000	RPH-PK602HK001	63.86
	7.000	RPH-PK702HK001	140.72
	8.000	RPH-PK802HK001	150.72
	10.000	RPH-PK902HK001	282.35
	12.000	RPH-PK922HK001	577.81

Rod	Bore	Ref. Number	\$
	1.000	RPH-CB102HL001	5.81
	1.500	RPH-CB152HL001	5.91
	2.000	RPH-CB202HL001	6.24
	2.500	RPH-CB252HL001	6.56
	3.250	RPH-CB322HL001	6.88
	4.000	RPH-CB402HL001	7.15
	5.000	RPH-CB502HL001	8.28
	6.000	RPH-CB602HL001	9.84
	7.000	RPH-CB702HL001	10.59
	8.000	RPH-CB802HL001	11.99
	10.000	RPH-CB902HL001	14.62
	12.000	RPH-CB922HL001	16.45

### HI-LOAD PISTON SEAL KITS-Service Class 5 (OPTIONAL) CYLINDER BODY END KITS - Service Class 5 (6)

Rod	Bore	Ref. Number	\$
	1.500	RPH-PK152HK005	29.89
	2.000	RPH-PK202HK005	42.36
	2.500	RPH-PK252HK005	45.53
	3.250	RPH-PK322HK005	100.19
	4.000	RPH-PK402HK005	110.89
	5.000	RPH-PK502HK005	122.71
	6.000	RPH-PK602HK005	191.30
	7.000	RPH-PK702HK005	283.69
	8.000	RPH-PK802HK005	414.95
	10.000	RPH-PK902HK005	579.32
	12.000	RPH-PK922HK005	992.66

Rod	Bore	Ref. Number	\$
	1.000	RPH-CB102HL005	8.12
	1.500	RPH-CB152HL005	9.35
	2.000	RPH-CB202HL005	13.87
	2.500	RPH-CB252HL005	17.42
	3.250	RPH-CB322HL005	21.02
	4.000	RPH-CB402HL005	26.28
	5.000	RPH-CB502HL005	37.95
	6.000	RPH-CB602HL005	39.67
	7.000	RPH-CB702HL005	56.92
	8.000	RPH-CB802HL005	57.94
	10.000	RPH-CB902HL005	64.18
	12.000	RPH-CB922HL005	72.35

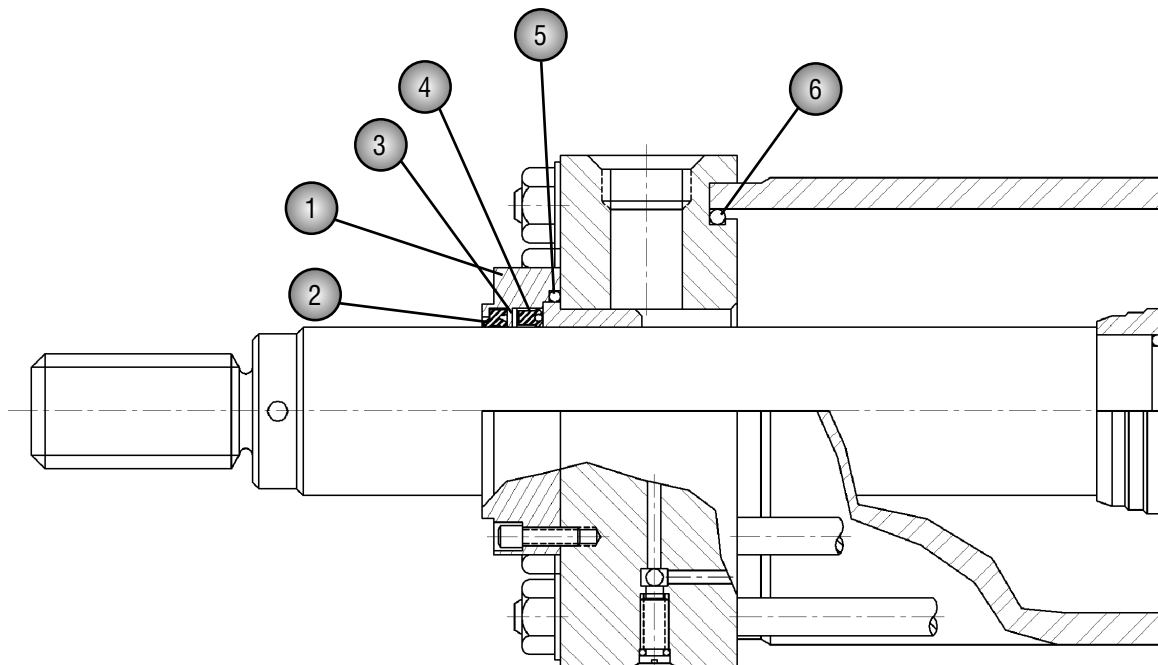
All manufacturer's names, part numbers and descriptions are used for reference purposes only. We do not imply that any part shown is the product of these manufacturers.

## 3H SERIES

## HYDRAULIC CYLINDER HEAVY DUTY LARGE BORE

### SERVICE CLASS

- 1- NITRILE
- 3- ETHYLENE PROPYLENE
- 5- FLUOROCARBON
- 6- CARBOXYLATED NITRILE



**GLAND CARTRIDGE KITS - Service Class 1 (1-2-3-4-5)**

Rod	Bore	Ref. Number	\$
4.500		RPH-RG3H000451	697.25
5.000		RPH-RG3H000501	910.53
5.500		RPH-RG3H000551	1079.62
7.000		RPH-RG3H000701	1239.64
8.000		RPH-RG3H000801	1648.08
9.000		RPH-RG3H000901	1962.84
10.000		RPH-RG3H001001	2146.24

**ROD SEAL KITS - Service Class 1 (1-2-3-4)**

Rod	Bore	Ref. Number	\$
4.500		RPH-RK3H000451	124.97
5.000		RPH-RK3H000501	129.81
5.500		RPH-RK3H000551	147.54
7.000		RPH-RK3H000701	213.66
8.000		RPH-RK3H000801	233.81
9.000		RPH-RK3H000901	312.02
10.000		RPH-RK3H001001	361.20

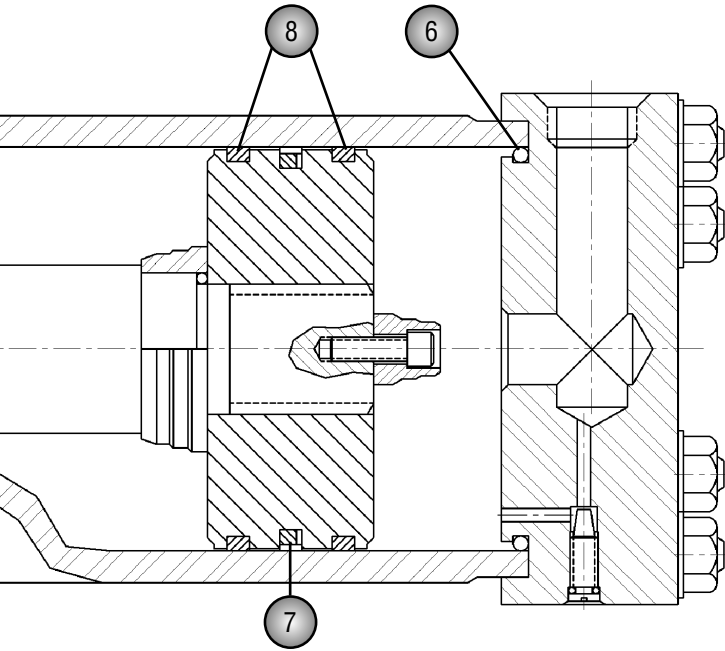
**GLAND CARTRIDGE KITS - Service Class 5 (1-2-3-4-5)**

Rod	Bore	Ref. Number	\$
4.500		RPH-RG3H000455	959.98
5.000		RPH-RG3H000505	1424.32
5.500		RPH-RG3H000555	1765.15
7.000		RPH-RG3H000705	2025.30
8.000		RPH-RG3H000805	2544.79
9.000		RPH-RG3H000905	2583.33
10.000		RPH-RG3H001005	3099.71

**GLAND CARTRIDGE KITS - Service Class 5 (1-2-3-4)**

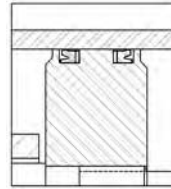
Rod	Bore	Ref. Number	\$
4.500		RPH-RK3H000455	328.95
5.000		RPH-RK3H000505	532.13
5.500		RPH-RK3H000555	717.56
7.000		RPH-RK3H000705	812.70
8.000		RPH-RK3H000805	959.44
9.000		RPH-RK3H000905	1008.62
10.000		RPH-RK3H001005	1136.01

All manufacturer's names, part numbers and descriptions are used for reference purposes only. We do not imply that any part shown is the product of these manufacturers.

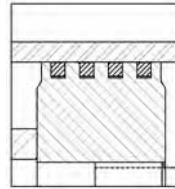


### OPTIONS

#### Piston Lipseal



#### Piston Ring



### COMPONENTS

- 1-GLAND CARTRIDGE
- 2-ROD WIPER
- 3-B.UP RING
- 4-ROD SEAL
- 5-O-RING
- 6-O-RING - END SEAL
- 7-PISTON SEAL
- 8-GUIDING ELEMENT

### HI-LOAD PISTON SEAL KITS - Service Class 1 (6-7-8)

Rod	Bore	Ref. Number	\$
	7.000	RPH-PK703HK001	479.72
	8.000	RPH-PK803HK001	517.61
	10.000	RPH-PK903HK001	578.08
	12.000	RPH-PK923HK001	599.85
	14.000	RPH-PK943HK001	694.18
	16.000	RPH-PK963HK001	1032.00
	18.000	RPH-PK983HK001	1639.91
	20.000	RPH-PK203HK001	2067.23

### PISTON LIPSEAL KITS - Service Class 1 (OPTIONAL)

Rod	Bore	Ref. Number	\$
	7.000	RPH-PK7023H001	204.79
	8.000	RPH-PK8023H001	261.23
	10.000	RPH-PK9023H001	278.16
	12.000	RPH-PK9223H001	548.25
	14.000	RPH-PK9423H001	590.18

### HI-LOAD PISTON SEAL KITS - Service Class 5 (6-7-8)

Rod	Bore	Ref. Number	\$
	7.000	RPH-PK703HK005	520.84
	8.000	RPH-PK803HK005	624.04
	10.000	RPH-PK903HK005	957.02
	12.000	RPH-PK923HK005	966.69
	14.000	RPH-PK943HK005	1406.10
	16.000	RPH-PK963HK005	1463.34
	18.000	RPH-PK983HK005	1912.43
	20.000	RPH-PK203HK005	2682.39

### PISTON LIPSEAL KITS - Service Class 5 (OPTIONAL)

Rod	Bore	Ref. Number	\$
	7.000	RPH-PK7023H005	702.24
	8.000	RPH-PK8023H005	751.43
	10.000	RPH-PK9023H005	905.42
	12.000	RPH-PK9223H005	955.41
	14.000	RPH-PK9423H005	1121.49

All manufacturer's names, part numbers and descriptions are used for reference purposes only. We do not imply that any part shown is the product of these manufacturers.

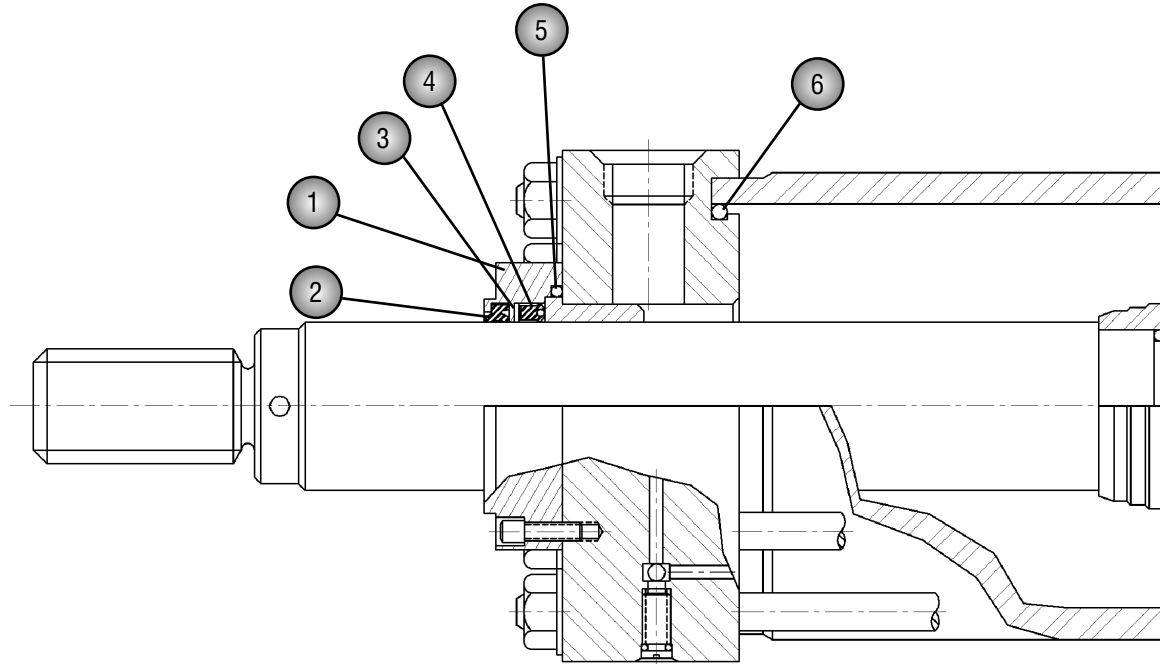


## 3H SERIES

### HYDRAULIC CYLINDER HEAVY DUTY LARGE BORE

#### SERVICE CLASS

- 1- NITRILE
- 3- ETHYLENE PROPYLENE
- 5- FLUOROCARBON
- 6- CARBOXYLATED NITRILE



#### PISTON RING KITS - Service Class 1 (OPTIONAL)

Rod	Bore	Ref. Number	\$
	7.000	RPH-PR703H0001	150.77
	8.000	RPH-PR803H0001	213.82
	10.000	RPH-PR9023H001	196.46
	12.000	RPH-PR9223H001	298.80
	14.000	RPH-PR9423H001	547.34

#### PISTON RING KITS - Service Class 5 (OPTIONAL)

Rod	Bore	Ref. Number	\$
	7.000	RPH-PR703H0005	173.40
	8.000	RPH-PR803H0005	245.90
	10.000	RPH-PR9023H005	225.91
	12.000	RPH-PR9223H005	343.62
	14.000	RPH-PR9423H005	629.43

All manufacturer's names, part numbers and descriptions are used for reference purposes only. We do not imply that any part shown is the product of these manufacturers.

INDUSTRIAL  
SEAL KITS

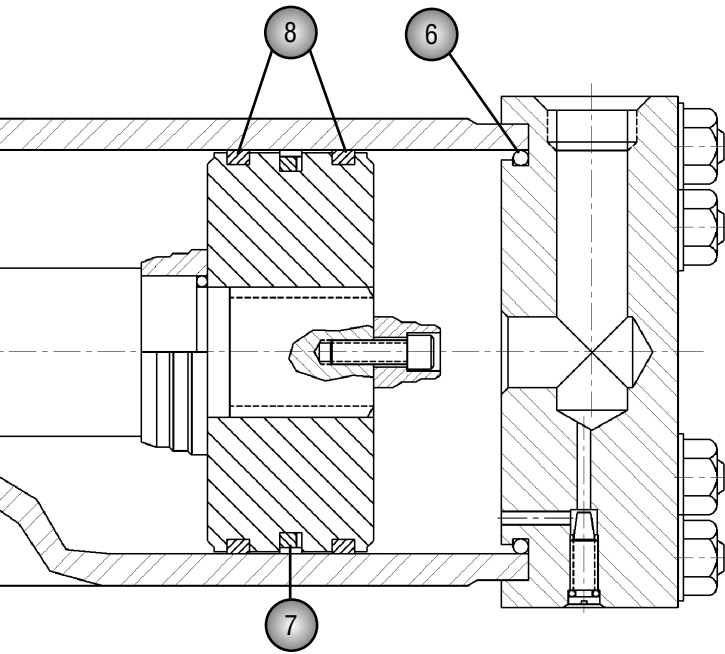
MOBILE  
SEAL KITS

PARKER

## 3H SERIES

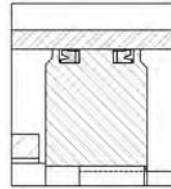
INDUSTRIAL  
SEAL KITS

MOBILE  
SEAL KITS

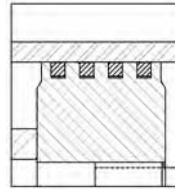


### OPTIONS

#### Piston Lipseal



#### Piston Ring



### COMPONENTS

- 1-GLAND CARTRIDGE
- 2-ROD WIPER
- 3-B.UP RING
- 4-ROD SEAL
- 5-O-RING
- 6-O-RING - END SEAL
- 7-PISTON SEAL
- 8-GUIDING ELEMENT

CYLINDER BODY END KITS - Service Class 1 (6)

Rod	Bore	Ref. Number	\$
	7.000	RPH-CB703H0001	31.18
	8.000	RPH-CB803H0001	33.59
	10.000	RPH-CB9023H001	36.82
	12.000	RPH-CB9223H001	58.59
	14.000	RPH-CB9423H001	78.48
	16.000	RPH-CB9623H001	81.16
	18.000	RPH-CB9823H001	90.84
	20.000	RPH-CB2023H001	95.68

CYLINDER BODY END KITS - Service Class 5 (6)

Rod	Bore	Ref. Number	\$
	7.000	RPH-CB703H0005	58.86
	8.000	RPH-CB803H0005	95.14
	10.000	RPH-CB9023H005	262.30
	12.000	RPH-CB9223H005	316.05
	14.000	RPH-CB9423H005	346.69
	16.000	RPH-CB9623H005	373.56
	18.000	RPH-CB9823H005	376.79
	20.000	RPH-CB2023H005	473.54

All manufacturer's names, part numbers and descriptions are used for reference purposes only. We do not imply that any part shown is the product of these manufacturers.

Tel.: (514) 334-2220  
Fax: (514) 333-8329

KITS

85

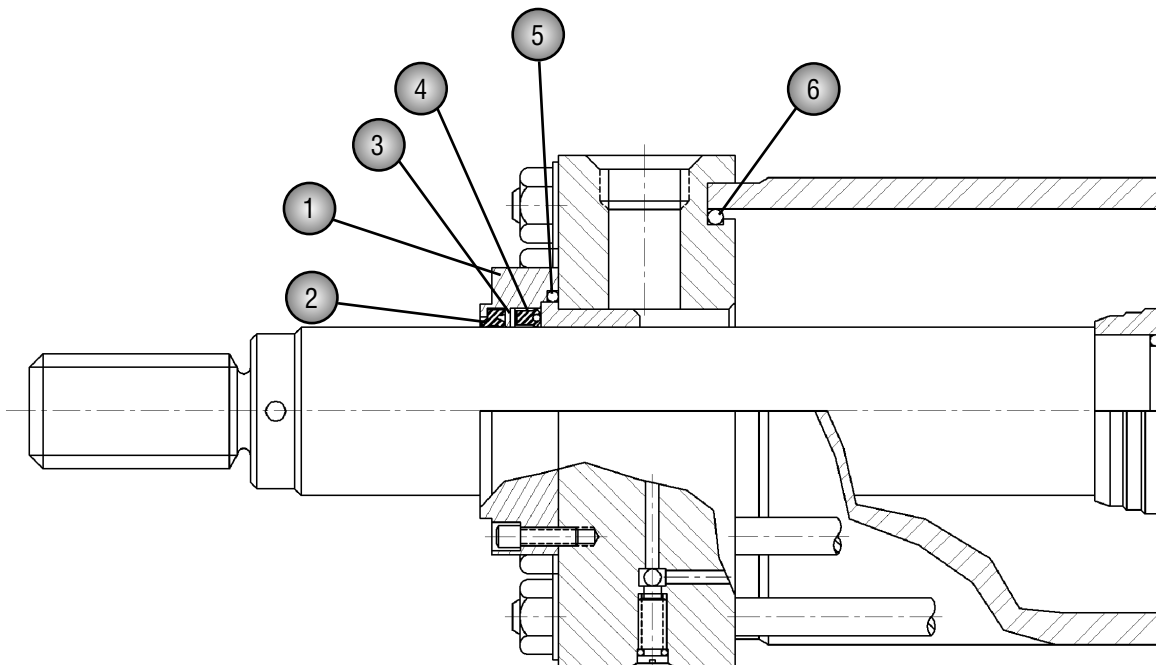
www.sealsonline.com

PARKER

## HMI SERIES HYDRAULIC CYLINDER HEAVY DUTY LARGE BORE

### SERVICE CLASS

- 1- NITRILE
- 3- ETHYLENE PROPYLENE
- 5- FLUOROCARBON
- 6- CARBOXYLATED NITRILE



### GLAND CARTRIDGE KITS - Service Class 1 (1-2-3-4-5)

Rod	Bore	Ref. Number	\$
12.00		RPH-RG2HM0121	166.89
14.00		RPH-RG2HM0141	167.70
18.00		RPH-RG2HM0181	168.13
22.00		RPH-RG2HM0221	177.75
28.00		RPH-RG2HM0281	189.15
36.00		RPH-RG2HM0361	222.53
45.00		RPH-RG2HM0451	278.16
56.00		RPH-RG2HM0561	315.24
70.00		RPH-RG2HM0701	349.86
90.00		RPH-RG2HM0901	412.91
110.00		RPH-RG2HM1101	856.72
140.00		RPH-RG2HM1401	929.66

### ROD SEAL KITS - Service Class 1 (2-3-4-5)

Rod	Bore	Ref. Number	\$
12.00		RPH-RK2HM0121	65.52
14.00		RPH-RK2HM0141	67.67
18.00		RPH-RK2HM0181	68.32
22.00		RPH-RK2HM0221	70.47
28.00		RPH-RK2HM0281	72.29
36.00		RPH-RK2HM0361	77.24
45.00		RPH-RK2HM0451	81.00
56.00		RPH-RK2HM0561	82.83
70.00		RPH-RK2HM0701	101.37
90.00		RPH-RK2HM0901	135.99
110.00		RPH-RK2HM1101	154.53
140.00		RPH-RK2HM1401	186.67

### GLAND CARTRIDGE KITS - Service Class 5 (1-2-3-4-5)

Rod	Bore	Ref. Number	\$
12.00		RPH-RG2HM0125	176.78
14.00		RPH-RG2HM0145	181.73
18.00		RPH-RG2HM0185	187.91
22.00		RPH-RG2HM0225	191.62
28.00		RPH-RG2HM0285	284.34
36.00		RPH-RG2HM0365	317.72
45.00		RPH-RG2HM0455	451.23
56.00		RPH-RG2HM0565	548.90
70.00		RPH-RG2HM0705	551.37
90.00		RPH-RG2HM0905	571.15
110.00		RPH-RG2HM1105	1037.21
140.00		RPH-RG2HM1405	1143.53

### ROD SEAL KITS - Service Class 5 (2-3-4-5)

Rod	Bore	Ref. Number	\$
12.00		RPH-RK2HM0125	112.50
14.00		RPH-RK2HM0145	117.44
18.00		RPH-RK2HM0185	134.75
22.00		RPH-RK2HM0225	142.17
28.00		RPH-RK2HM0285	202.75
36.00		RPH-RK2HM0365	226.23
45.00		RPH-RK2HM0455	311.54
56.00		RPH-RK2HM0565	322.66
70.00		RPH-RK2HM0705	333.79
90.00		RPH-RK2HM0905	370.88
110.00		RPH-RK2HM1105	438.87
140.00		RPH-RK2HM1405	525.41

All manufacturer's names, part numbers and descriptions are used for reference purposes only. We do not imply that any part shown is the product of these manufacturers.

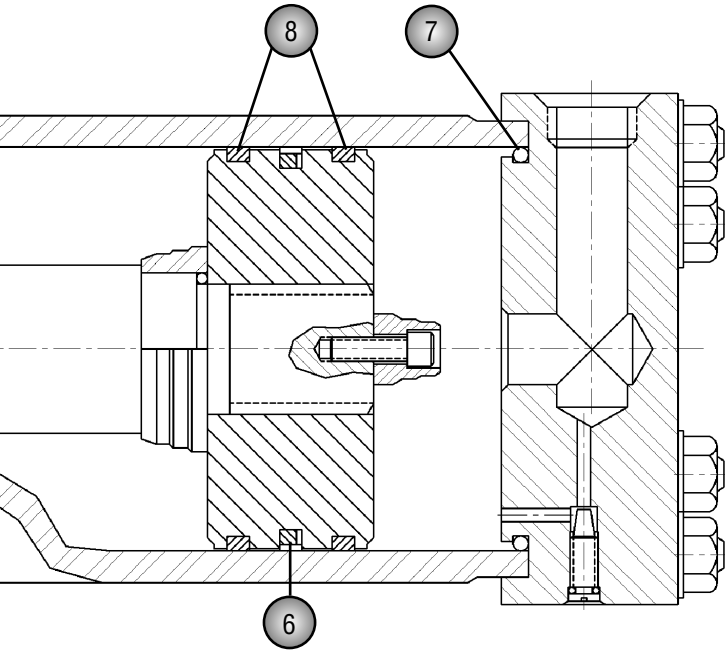
INDUSTRIAL SEAL KITS

MOBILE SEAL KITS

PARKER

### COMPONENTS

- 1-GLAND CARTRIDGE
- 2-ROD WIPER
- 3-B.UP RING
- 4-ROD SEAL
- 5-O-RING
- 6-PISTON SEAL
- 7-O-RING - END SEAL
- 8-GUIDING ELEMENT



### HI-LOAD PISTON SEAL KITS - Service Class 1 (6-7-8)

Rod	Bore	Ref. Number	\$
	25.00	RPH-PN025HM001	45.74
	32.00	RPH-PN032HM001	53.16
	40.00	RPH-PN040HM001	58.70
	50.00	RPH-PN050HM001	77.29
	63.00	RPH-PN063HM001	97.02
	80.00	RPH-PN080HM001	131.04
	100.00	RPH-PN100HM001	190.38
	125.00	RPH-PN125HM001	244.78
	160.00	RPH-PN160HM001	258.38
	200.00	RPH-PN200HM001	311.54

### CYLINDER BODY END KITS - Service Class 1 (7)

Rod	Bore	Ref. Number	\$
	25.00	RPH-CB025HM001	12.36
	32.00	RPH-CB032HM001	12.63
	40.00	RPH-CB040HM001	12.90
	50.00	RPH-CB050HM001	14.24
	63.00	RPH-CB063HM001	15.59
	80.00	RPH-CB080HM001	21.77
	100.00	RPH-CB100HM001	29.56
	125.00	RPH-CB125HM001	31.44
	160.00	RPH-CB160HM001	34.40
	200.00	RPH-CB200HM001	36.28

### HI-LOAD PISTON SEAL KITS - Service Class 5 (6-7-8)

Rod	Bore	Ref. Number	\$
	25.00	RPH-PN025HM005	86.54
	32.00	RPH-PN032HM005	111.26
	40.00	RPH-PN040HM005	291.76
	50.00	RPH-PN050HM005	382.00
	63.00	RPH-PN063HM005	483.37
	80.00	RPH-PN080HM005	641.61
	100.00	RPH-PN100HM005	731.86
	125.00	RPH-PN125HM005	824.58
	160.00	RPH-PN160HM005	876.50
	200.00	RPH-PN200HM005	1050.81

### CYLINDER BODY END KITS - Service Class 5 (7)

Rod	Bore	Ref. Number	\$
	25.00	RPH-CB025HM005	23.65
	32.00	RPH-CB032HM005	24.99
	40.00	RPH-CB040HM005	25.80
	50.00	RPH-CB050HM005	27.14
	63.00	RPH-CB063HM005	30.10
	80.00	RPH-CB080HM005	35.48
	100.00	RPH-CB100HM005	50.53
	125.00	RPH-CB125HM005	55.90
	160.00	RPH-CB160HM005	61.28
	200.00	RPH-CB200HM005	66.65

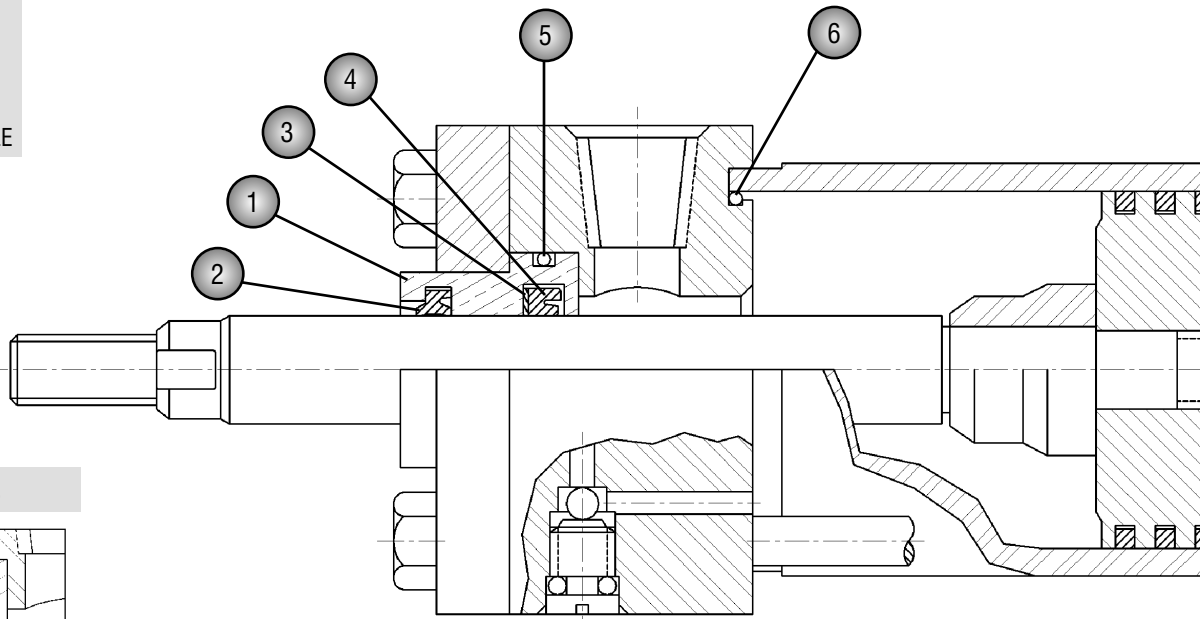
All manufacturer's names, part numbers and descriptions are used for reference purposes only. We do not imply that any part shown is the product of these manufacturers.

## HD SERIES

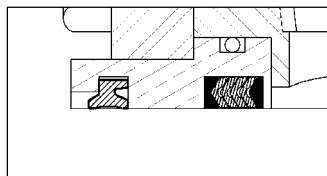
## HYDRAULIC CYLINDER HEAVY DUTY

### SERVICE CLASS

- 1- NITRILE
- 3- ETHYLENE PROPYLENE
- 5- FLUOROCARBON
- 6- CARBOXYLATED NITRILE



### Obsolete HD Series



### GLAND CARTRIDGE KITS - Service Class 1 (1-2-3-4-5)

Rod	Bore	Ref. Number	\$
0.625		RPH-RG1HDL0061	86.22
1.000		RPH-RG1HDL0101	95.30
1.375		RPH-RG1HDL0131	99.81
1.750		RPH-RG1HDL0171	128.19
2.000		RPH-RG1HDL0201	157.65
2.500		RPH-RG1HDL0251	234.78
3.000		RPH-RG1HDL0301	446.88
3.500		RPH-RG1HDL0351	587.49
4.000		RPH-RG1HDL0401	747.39
5.500		RPH-RG1HDL0551	1283.87

### ROD SEAL KITS - Service Class 1 (2-3-4-5)

Rod	Bore	Ref. Number	\$
0.625		RPH-RK1HDL0061	24.40
1.000		RPH-RK1HDL0101	25.53
1.375		RPH-RK1HDL0131	29.51
1.750		RPH-RK1HDL0171	35.74
2.000		RPH-RK1HDL0201	40.26
2.500		RPH-RK1HDL0251	53.32
3.000		RPH-RK1HDL0301	100.94
3.500		RPH-RK1HDL0351	145.18
4.000		RPH-RK1HDL0401	171.30
5.500		RPH-RK1HDL0551	248.38

### GLAND CARTRIDGE KITS - Service Class 5 (1-2-3-4-5)

Rod	Bore	Ref. Number	\$
0.625		RPH-RG1HDL0065	73.75
1.000		RPH-RG1HDL0105	103.25
1.375		RPH-RG1HDL0135	146.31
1.750		RPH-RG1HDL0175	175.82
2.000		RPH-RG1HDL0205	250.69
2.500		RPH-RG1HDL0255	409.47
3.000		N/A	N/A
3.500		RPH-RG1HDL0355	778.03
4.000		RPH-RG1HDL0405	869.89
5.500		RPH-RG1HDL0555	1522.04

### ROD SEAL KITS - Service Class 5 (2-3-4-5)

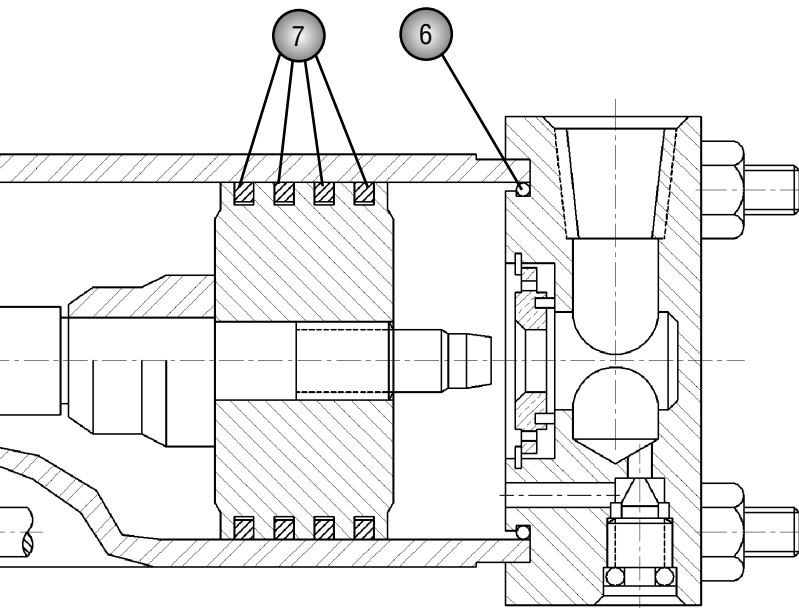
Rod	Bore	Ref. Number	\$
0.625		RPH-RK1HDL0065	40.26
1.000		RPH-RK1HDL0105	56.17
1.375		RPH-RK1HDL0135	85.62
1.750		RPH-RK1HDL0175	98.69
2.000		RPH-RK1HDL0205	147.44
2.500		RPH-RK1HDL0255	241.61
3.000		N/A	N/A
3.500		RPH-RK1HDL0355	379.96
4.000		RPH-RK1HDL0405	436.67
5.500		RPH-RK1HDL0555	675.96

All manufacturer's names, part numbers and descriptions are used for reference purposes only. We do not imply that any part shown is the product of these manufacturers.

INDUSTRIAL SEAL KITS

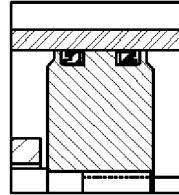
MOBILE SEAL KITS

PARKER

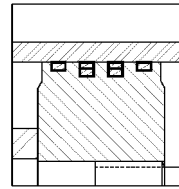


### OPTIONS

#### Piston Lipseal



#### Piston Hi-Load



### COMPONENTS

- 1-GLAND CARTRIDGE
- 2-ROD WIPER
- 3-B.UP RING
- 4-ROD SEAL
- 5-O-RING
- 6-O-RING - END SEAL
- 7-PISTON RING

### PISTON RING KITS - Service Class 1 (6-7)

Rod	Bore	Ref. Number	\$
	1.500	RPH-PR152H0001	39.35
	2.000	RPH-PR202H0001	41.98
	2.500	RPH-PR252H0001	42.46
	3.250	RPH-PR322H0001	45.90
	4.000	RPH-PR402H0001	47.25
	5.000	RPH-PR502H0001	62.24
	6.000	RPH-PR602H0001	93.58
	8.000	RPH-PR802H0001	159.80

### PISTON LIPSEAL KITS - Service Class 1 (6)

Rod	Bore	Ref. Number	\$
	1.500	RPH-PK152HLL01	9.78
	2.000	RPH-PK202HLL01	11.66
	2.500	RPH-PK252HLL01	13.49
	3.250	RPH-PK322HLL01	16.72
	4.000	RPH-PK402HLL01	21.98
	5.000	RPH-PK502HLL01	25.53
	6.000	RPH-PK602HLL01	33.22
	8.000	RPH-PK802HLL01	96.59

### PISTON RING KITS - Service Class 5 (6-7)

Rod	Bore	Ref. Number	\$
	1.500	RPH-PR152H0005	45.58
	2.000	RPH-PR202H0005	47.25
	2.500	RPH-PR252H0005	47.89
	3.250	RPH-PR322H0005	57.08
	4.000	RPH-PR402H0005	58.16
	5.000	RPH-PR502H0005	82.45
	6.000	RPH-PR602H0005	99.81
	8.000	RPH-PR802H0005	170.82

### PISTON LIPSEAL KITS - Service Class 5 (6)

Rod	Bore	Ref. Number	\$
	1.500	RPH-PK152HLL05	45.85
	2.000	RPH-PK202HLL05	72.40
	2.500	RPH-PK252HLL05	75.20
	3.250	RPH-PK322HLL05	76.43
	4.000	RPH-PK402HLL05	95.41
	5.000	RPH-PK502HLL05	114.06
	6.000	RPH-PK602HLL05	152.49
	8.000	RPH-PK802HLL05	330.67

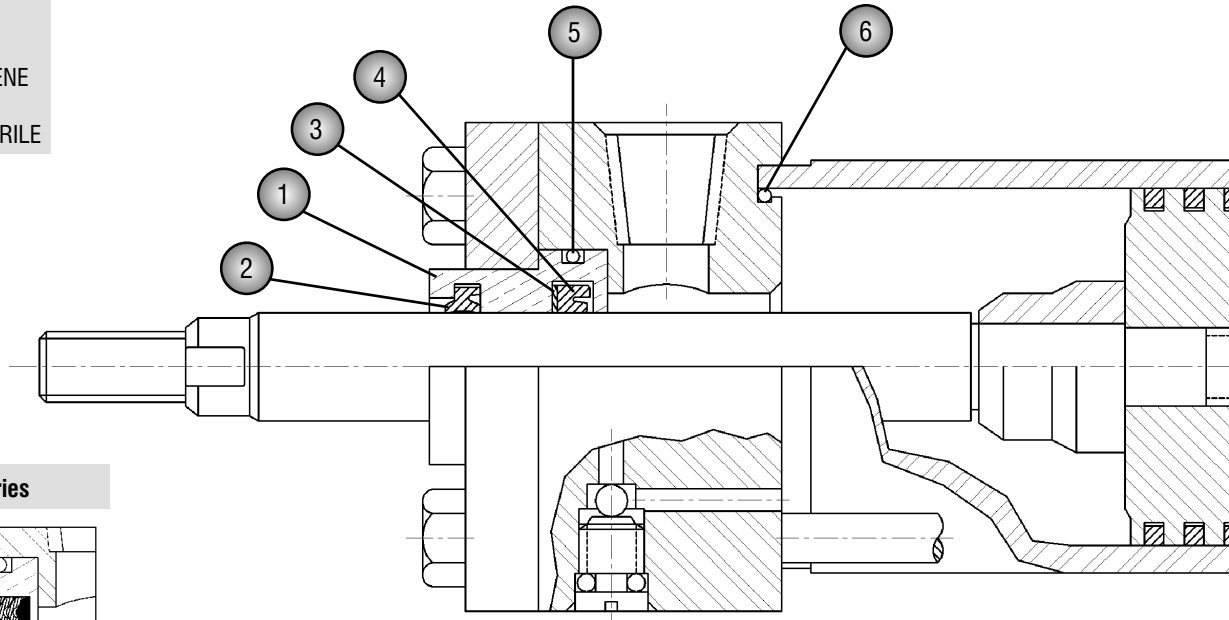
All manufacturer's names, part numbers and descriptions are used for reference purposes only. We do not imply that any part shown is the product of these manufacturers.

## HD SERIES

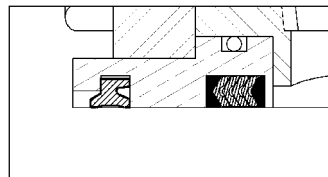
## HYDRAULIC CYLINDER HEAVY DUTY

### SERVICE CLASS

- 1- NITRILE
- 3- ETHYLENE PROPYLENE
- 5- FLUOROCARBON
- 6- CARBOXYLATED NITRILE



Obsolete HD Series



HI-LOAD PISTON SEAL KITS-Service Class 1 (OPTIONAL)

Rod	Bore	Ref. Number	\$
	1.500	RPH-PK152HK001	21.61
	2.000	RPH-PK202HK001	26.98
	2.500	RPH-PK252HK001	28.00
	3.250	RPH-PK322HK001	31.01
	4.000	RPH-PK402HK001	33.11
	5.000	RPH-PK502HK001	35.64
	6.000	RPH-PK602HK001	63.86
	8.000	RPH-PK802HK001	150.72

HI-LOAD PISTON SEAL KITS-Service Class 5 (OPTIONAL)

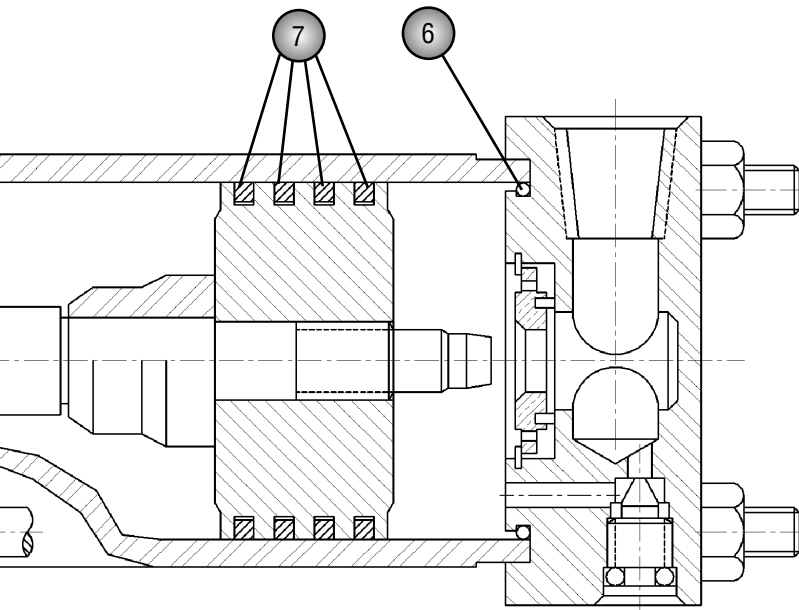
Rod	Bore	Ref. Number	\$
	1.500	RPH-PK152HK005	29.89
	2.000	RPH-PK202HK005	42.36
	2.500	RPH-PK252HK005	45.53
	3.250	RPH-PK322HK005	100.19
	4.000	RPH-PK402HK005	110.89
	5.000	RPH-PK502HK005	122.71
	6.000	RPH-PK602HK005	191.30
	8.000	RPH-PK802HK005	414.95

All manufacturer's names, part numbers and descriptions are used for reference purposes only. We do not imply that any part shown is the product of these manufacturers.

INDUSTRIAL  
SEAL KITS

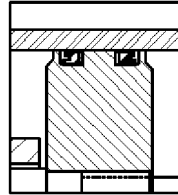
MOBILE  
SEAL KITS

PARKER

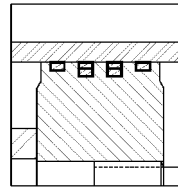


### OPTIONS

#### Piston Lipseal



#### Piston Hi-Load



### COMPONENTS

- 1-GLAND CARTRIDGE
- 2-ROD WIPER
- 3-B.UP RING
- 4-ROD SEAL
- 5-O-RING
- 6-O-RING - END SEAL
- 7-PISTON RING

CYLINDER BODY END KITS - Service Class 1 (6)

Rod	Bore	Ref. Number	\$
	1.500	RPH-CB152HL001	5.91
	2.000	RPH-CB202HL001	6.24
	2.500	RPH-CB252HL001	6.56
	3.250	RPH-CB322HL001	6.88
	4.000	RPH-CB402HL001	7.15
	5.000	RPH-CB502HL001	8.28
	6.000	RPH-CB602HL001	9.84
	8.000	RPH-CB802HL001	11.99

CYLINDER BODY END KITS - Service Class 5 (6)

Rod	Bore	Ref. Number	\$
	1.500	RPH-CB152HL005	9.35
	2.000	RPH-CB202HL005	13.87
	2.500	RPH-CB252HL005	17.42
	3.250	RPH-CB322HL005	21.02
	4.000	RPH-CB402HL005	26.28
	5.000	RPH-CB502HL005	37.95
	6.000	RPH-CB602HL005	39.67
	8.000	RPH-CB802HL005	57.94

All manufacturer's names, part numbers and descriptions are used for reference purposes only. We do not imply that any part shown is the product of these manufacturers.

Tel.: (780) 414-1871  
Fax: (780) 487-5419

KITS

91

www.sealsonline.com



**INDUSTRIAL  
SEAL KITS**

**MOBILE  
SEAL KITS**



All manufacturer's names, part numbers and descriptions are used for reference purposes only. We do not imply that any part shown is the product of these manufacturers.

## Section

## Page

Section		Page
<b>MOBILE</b>	BARKO	KITS 94
	BOBCAT	KITS 96
	CATERPILLAR	KITS 103
	CHAMPION	KITS 285
	CHARLYNN	KITS 285
	CLARK	KITS 286
	COMMERCIAL INTERTECH	KITS 288
	CROSS	KITS 290
	CUSTOM HOIST	KITS 291
	DEMAG	KITS 294
	DRILTECH	KITS 294
	DROTT	KITS 294
	EATON YALE - TIMBERJACK	KITS 294
	EIMCO JARVIS CLARK	KITS 295
	ESCO	KITS 295
	EUCLID TRUCKS	KITS 295
	GROVE CRANE	KITS 297
	HEIL	KITS 301
	HIAB	KITS 305
	HITACHI	KITS 308
	HYCO	KITS 341
	HYSTER	KITS 350
	HYUNDAI	KITS 352
	INGERSOLL-RAND	KITS 353
	INTERNATIONAL HARVESTER	KITS 353
	JCB	KITS 353
	J.I.CASE	KITS 365
	JOHN DEERE	KITS 405
	KATO	KITS 449
	KOBELCO	KITS 450
	KOEHRING	KITS 458
	KOMATSU	KITS 459
	KUBOTA	KITS 484
	LEACH	KITS 486
	LETOURNEAU	KITS 487
	LIEBHERR	KITS 489
	LINK BELT	KITS 490
	mitsubishi	KITS 491
	PEABODY GALION	KITS 492
	PERFECTION-COBEY	KITS 493
	P&H	KITS 494
	PRENTICE	KITS 495
	RAYGO WAGNER	KITS 502
SAMSUNG	KITS 503	
TAMROK	KITS 503	
TEREX	KITS 504	
TIMBERJACK	KITS 506	
UNIT RIG	KITS 510	
VICKERS	KITS 510	
VOLVO-MICHIGAN-EUCLID	KITS 511	
WABCO	KITS 533	
WARD	KITS 536	
YUTANI	KITS 537	

**INDUSTRIAL  
SEAL KITS**

**MOBILE  
SEAL KITS**

**INDEX**

All manufacturer's names, part numbers and descriptions are used for reference purposes only. We do not imply that any part shown is the product of these manufacturers.

**Tel.: (403) 279-1871  
Fax: (403) 279-1821**

**KITS 93**

**www.sealsonline.com**

## BARKO

## KITS

Ref. Number	Desc.	Bore	Rod	\$	Ref. Number	Desc.	Bore	Rod	\$
RBAR-551/00/150	O-RING KIT			1.53	RBAR-556/00/708	SEAL KIT	7.000	4.000	104.84
RBAR-552/00/013	O-RING KIT			6.74	RBAR-556/00/711	SEAL KIT	3.500	3.000	48.49
RBAR-552/00/013/P	VALVE KIT			13.33	RBAR-556/00/714	SEAL KIT	7.500	5.000	169.50
RBAR-552/00/013/Q	VALVE KIT			1.53	RBAR-556/00/715	SEAL KIT	7.500	4.500	172.51
RBAR-552/00/047	O-RING KIT			0.93	RBAR-556/00/717	SEAL KIT	7.000	4.000	70.42
RBAR-552/00/052	SEAL KIT			24.46	RBAR-556/00/717/7	SEAL KIT	7.000	4.000	138.33
RBAR-552/00/072	O-RING KIT			0.77	RBAR-556/00/718	SEAL KIT	7.000	4.000	115.20
RBAR-552/00/073	O-RING KIT			1.95	RBAR-556/00/719	SEAL KIT	6.000	4.000	74.05
RBAR-552/00/099	SWIVEL KIT 1.875"			54.94	RBAR-556/00/720	SEAL KIT	7.000	3.000	67.51
RBAR-552/00/140	O-RING KIT			1.53	RBAR-556/00/721	SEAL KIT	6.000	3.000	92.58
RBAR-552/00/150	SEAL KIT			2.96	RBAR-556/00/721/7	SEAL KIT	6.000	3.000	111.12
RBAR-552/00/211	HOSE COUPLING SEAL			2.50	RBAR-556/00/739	O-RING KIT			3.17
RBAR-552/00/246	O-RING KIT			2.70	RBAR-556/00/741	SEAL KIT	5.000	3.000	60.92
RBAR-552/00/276	SWIVEL KIT 7.000"			152.79	RBAR-556/00/744	SEAL KIT	7.000	3.000	116.75
RBAR-552/00/277	SEAL KIT	3.500	2.000	31.55	RBAR-556/00/745	SEAL KIT	6.000	4.000	73.74
RBAR-552/00/278	SEAL KIT	3.500	2.000	14.30	RBAR-556/00/745/7	SEAL KIT	6.000	4.000	119.69
RBAR-552/00/345	SEAL KIT	5.500	3.500	220.92	RBAR-559/00/098	O-RING KIT			0.77
RBAR-552/00/346	SEAL KIT	4.000	2.500	35.95	RBAR-560/02/506	SEAL KIT			134.44
RBAR-552/00/357	TETRA SEAL			1.33	RBAR-563/00/378	SEAL KIT			143.55
RBAR-552/00/358	LOADED U-CUP			2.10	RBAR-565/00/1022	SEAL KIT	7.000	2.500	79.37
RBAR-552/00/365	SEAL KIT	7.000	3.000	68.02	RBAR-565/00/242	SWIVEL KIT 7.000"			298.72
RBAR-552/00/418	SEAL KIT	3.500	2.000	39.69	RBAR-565/00/2435	SWIVEL KIT 3.500"			60.00
RBAR-552/00/420	SEAL KIT	4.500	2.500	67.60	RBAR-565/00/425	O-RING KIT			0.71
RBAR-552/00/424	SWIVEL KIT 3.500"			33.91	RBAR-565/00/435	O-RING KIT			1.13
RBAR-552/00/492	O-RING KIT			4.32	RBAR-565/00/489	SWIVEL KIT 6.000"			74.80
RBAR-552/00/497	O-RING KIT			4.57	RBAR-565/00/490	SEAL KIT	6.000	2.500	44.73
RBAR-552/00/499	SEAL KIT	4.000	2.000	120.37	RBAR-565/00/500	SEAL KIT	5.000	1.375	37.15
RBAR-552/00/616	SEAL KIT	6.000	2.500	199.34	RBAR-565/00/501	SEAL KIT	5.000	2.000	69.46
RBAR-552/00/617	SEAL KIT	7.000	3.000	199.41	RBAR-565/00/512	SEAL KIT	3.500	1.500	24.99
RBAR-552/00/636	SEAL KIT	7.000	3.000	71.23	RBAR-565/00/514	SEAL KIT	5.000	2.000	73.85
RBAR-552/00/637	SEAL KIT	6.000	2.500	78.91	RBAR-565/00/515	SEAL KIT	6.000	2.500	46.72
RBAR-552/00/641	SEAL KIT	6.000	3.000	190.04	RBAR-565/00/523	SEAL KIT	7.000	3.000	114.66
RBAR-552/00/659	SEAL KIT	6.000	3.000	113.19	RBAR-565/00/524	SEAL KIT	6.000	2.500	108.35
RBAR-552/00/660	SEAL KIT	7.000	3.000	134.60	RBAR-565/00/525	SEAL KIT	5.000	2.000	92.99
RBAR-552/00/668	SEAL KIT	3.500	2.000	50.19	RBAR-565/00/531	SEAL KIT	3.500	2.000	52.26
RBAR-552/00/669	SEAL KIT			92.18	RBAR-565/00/532	SWIVEL KIT 4.500"			79.91
RBAR-552/00/689	SEAL KIT	6.000	2.500	121.13	RBAR-565/00/533	SEAL KIT	3.500	2.000	43.45
RBAR-552/00/712	O-RING KIT			0.36	RBAR-565/00/536	SEAL KIT	6.000	3.000	118.03
RBAR-552/00/738	MOTOR SEAL KIT			99.32	RBAR-565/00/537	SEAL KIT	6.000	3.000	103.59
RBAR-552/00/795	SEAL KIT	5.000		51.07	RBAR-565/00/540	SWIVEL KIT 6.000"			64.13
RBAR-552/00/796	SEAL KIT	4.500	2.500	97.41	RBAR-565/00/541	SWIVEL KIT 6.000"			120.86
RBAR-552/00/810	SEAL KIT	4.500	2.500	67.51	RBAR-565/00/546	SEAL KIT			538.34
RBAR-552/00/811	SWIVEL KIT 7.000"			99.17	RBAR-565/00/574	SEAL KIT	6.000	4.000	50.14
RBAR-552/01/426	SEAL KIT			7.71	RBAR-565/00/575	O-RING KIT			8.32
RBAR-556/00/600	SWIVEL KIT 8.000"			356.95	RBAR-565/00/576	SWIVEL KIT 3.500"			12.51
RBAR-556/00/606	SWIVEL KIT 7.000"			171.27	RBAR-565/00/577	SWIVEL KIT 6.000"			101.94
RBAR-556/00/661	O-RING KIT			2.04	RBAR-565/00/578	SWIVEL KIT 6.000"			37.15
RBAR-556/00/673	O-RING KIT			3.47	RBAR-565/00/582	SWIVEL KIT 6.000"			49.89

All manufacturer's names, part numbers and descriptions are used for reference purposes only. We do not imply that any part shown is the product of these manufacturers.

INDUSTRIAL SEAL KITS

MOBILE SEAL KITS

BARKO

## KITS

## BARKO

Ref. Number	Desc.	Bore	Rod	\$	Ref. Number	Desc.	Bore	Rod	\$
RBAR-565/00/583	SEAL KIT	7.000	4.000	125.16	RBAR-566/00/1024K	O-RING KIT			5.11
RBAR-565/00/586	SEAL KIT	5.000	2.500	73.31	RBAR-900/00/745	SEAL KIT	6.000	4.000	73.73
RBAR-565/00/588	SWIVEL KIT 5.000"			52.72	RBAR-900/05/574	SEAL KIT	6.000	4.000	215.98
RBAR-565/00/600	SWIVEL KIT 8.000"			194.47	RBAR-900/00/717	SEAL KIT	7.000	4.000	70.41
RBAR-565/00/721	SEAL KIT	6.000	3.000	78.90	RBAR-900/00/606	SWIVEL KIT 7.000"			171.27
RBAR-565/00/786	O-RING KIT			0.71					



All manufacturer's names, part numbers and descriptions are used for reference purposes only. We do not imply that any part shown is the product of these manufacturers.

INDUSTRIAL SEAL KITS

MOBILE SEAL KITS

BARKO

**Tel.: (418) 688-3202**  
**Fax: (418) 688-4272**

**KITS**

**95**

**www.sealsonline.com**

## BOBCAT

## BACKHOE ATTACHMENT

Model	Application	Serial Number	Cylinder Number	Bore	Rod	I	Ref. Number RBOB-	\$
						M		
607	BOOM			3.000	1.500	I	6587989	27.97
	DIPPER			3.000	1.500	I	6587989	27.97
	TILT			3.000	1.500	I	6587989	27.97
709	BOOM			3.250	1.500	I	6661308	19.71
	STABILIZER			3.250	1.500	I	6661308	19.71
	TILT			3.000	1.500	I	6587989	27.97
811	DIPPER			3.500	1.750	I	6596126	26.74
	TILT			3.000	1.500	I	6587989	27.97
905	STABILIZER			2.000	1.000	I	6587790	14.35
	TILT			3.000	1.500	I	6587989	27.97
907	BUCKET			3.000	1.500	I	6587989	27.97
	DIPPER			3.000	1.500	I	6587989	27.97
	STABILIZER			2.000	1.000	I	6598343	12.65
	TILT			3.000	1.500	I	6587989	27.97
908A	STABILIZER			2.000	1.000	I	6598343	12.65
	TILT			3.000	1.500	I	6587989	27.97
908B	STABILIZER			2.000	1.000	I	6598343	12.65
	TILT			3.000	1.500	I	6587989	27.97
909	BOOM			3.250	1.500	I	6661297	16.05
	DIPPER			2.000	1.000	I	6598343	12.65
	TILT			3.000	1.500	I	6587989	27.97
910	TILT			3.000	1.500	I	6587989	27.97
911	TILT			3.000	1.500	I	6587989	27.97
913	DIPPER			3.000	1.500	I	6803272	23.77
	STABILIZER			3.250	1.500	I	6661298	33.96
	TILT			3.000	1.500	I	6587989	27.97
914	DIPPER			3.000	1.500	I	6803272	23.77
	STABILIZER			3.250	1.500	I	6661298	33.96
	TILT			3.000	1.500	I	6587989	27.97
914A	SWING			4.000	2.000	I	6519428	50.97
	TILT			3.000	1.500	I	6587989	27.97
914B	BUCKET			3.500	2.000	I	6588059	38.81
	TILT			3.000	1.500	I	6587989	27.97

All manufacturer's names, part numbers and descriptions are used for reference purposes only. We do not imply that any part shown is the product of these manufacturers.

## EXCAVATORS

## BOBCAT

Model	Application	Serial Number	Cylinder Number	Bore	Rod	I	Ref. Number RBOB-	\$
						M		
220	BOOM			2.375	1.750	I	6661047	20.34
	ARM			2.375	1.750	I	6661047	20.34
	BUCKET			2.375	1.750	I	6661047	20.34
	BLADE			2.375	1.750	I	6661047	20.34
	SWING			2.375	1.375	I	6661046	65.77
	VALVE - 3 SPOOL					I	6661328	16.67
	VALVE - 6 SPOOL					I	6656283	3.74
231	BOOM			3.250	1.750	I	6661051	19.62
	ARM			3.000	1.750	I	6587990	33.25
	BUCKET			3.250	2.000	I	6588083	39.93
	BLADE			3.500	1.750	I	6661052	20.60
	SWING			3.000	1.500	I	6661053	20.15
	VALVE					I	6660750	3.83
X-225	BOOM	508312001-UP	6586726	2.750	1.500	I	6589796	17.18
	ARM	508312001-UP	6586724	2.750	1.500	I	6589796	17.18
	BUCKET	508312001-UP	6538977	2.750	1.500	I	6589796	17.18
	BLADE	508312001-UP		2.750	1.500	I	6589796	17.18
		508312001-UP	6596045	2.750	1.500	I	6589796	17.18
	SWING	508312001-UP	6536372	2.375	1.750	I	6661047	20.34
X-320	BOOM	511720001-511721115	6587019	2.750	1.375	I	6803281	32.12
	BOOM	511721116 & UP	6589360	2.750	1.375	I	6803281	32.12
	BOOM	562313001 & UP	6803045	2.750	1.375	I	6803281	32.12
	ARM	511720001-511721115	6588297	2.750	1.375	I	6803281	32.12
	ARM	511721116 & UP	6589582	2.375	1.500	I	6589807	24.91
	ARM	562313001 & UP	6803040	2.375	1.500	I	6589807	24.91
	BUCKET	511720001-511721115	6588658	2.250	1.500	I	6589794	23.19
	BUCKET	511721116 & UP	6589414	2.250	1.500	I	6589794	23.19
	BUCKET	562313001 & UP	6803038	2.250	1.500	I	6589794	23.19
	BLADE	511720001 & UP	6587000	2.750	1.375	I	6803281	32.12
X-325	BLADE	562313001 & UP	6587000	2.750	1.375	I	6803281	32.12
	BLADE		6802713	2.750	1.375	I	6803281	32.12
	SWING	511720001 & UP	6587963	2.375	1.250	I	6589868	17.70
	SWING	562313001 & UP	6803043	3.250	1.250	I	6801183	15.43
	BOOM	511820001 & UP	6586726	2.750	1.500	I	6589796	17.18
	BOOM	514011001-514012999	6803696	2.750	1.500	I	6803268	29.99
	ARM	511820001 & UP	6586724	2.750	1.500	I	6589796	17.18
ARM	514011001-514012999	6595678	2.750	1.500	I	6803268	29.99	

All manufacturer's names, part numbers and descriptions are used for reference purposes only. We do not imply that any part shown is the product of these manufacturers.

Tel.: (514) 334-2220  
Fax: (514) 333-8329

**KITS 97**

[www.sealsonline.com](http://www.sealsonline.com)

INDUSTRIAL  
SEAL KITS

MOBILE  
SEAL KITS

BOBCAT

## BOBCAT

## EXCAVATORS

Model	Application	Serial Number	Cylinder Number	Bore	Rod	I	Ref. Number RBOB-	\$
						M		
	BUCKET	511820001 & UP	6538977	2.750	1.500	I	6589796	17.18
	BUCKET	514011001- 514012999	6803693	2.750	1.500	I	6803268	29.99
	BLADE	511820001 & UP	6538976	2.750	1.500	I	6589796	17.18
	BLADE	511820001 & UP	6596045	2.750	1.500	I	6589786	23.62
	BLADE	514011001- 514012999	6596045	2.750	1.500	I	6589786	23.62
	SWING	511820001 & UP	6536372	2.375	1.750	I	6661047	20.34
	SWING	514011001- 514012999	6536372	2.375	1.750	I	6661047	20.34
	LIFTING CYLINDER	514011001- 514012999	6802235	2.750	1.500	I	6803268	29.99
<b>X-331</b>	BOOM	512911001- 514911999	6587571	3.250	1.750	I	6587991	25.92
	BOOM	512920001 & UP	6587571	3.250	1.750	I	6587991	25.92
	BOOM	512912000 & UP	6596575	3.250	1.750	I	6587991	25.92
	BOOM	512920001 & UP	6596575	3.250	1.750	I	6587991	25.92
	ARM	512911001- 514911999	6589397	3.000	1.750	I	6587990	33.25
	ARM	512920001 & UP	6589397	3.000	1.750	I	6587990	33.25
	ARM	512912000 & UP	6595863	3.000	1.750	I	6587990	33.25
	ARM	512920001 & UP	6537325	3.000	1.750	I	6588079	24.14
	BUCKET	512911001- 514911999	6537289	3.250	2.000	I	6588083	39.93
	BUCKET	512920001 & UP	6537289	3.250	2.000	I	6588083	39.93
	BUCKET	512912000 & UP	6595865	3.250	2.000	I	6588083	39.93
	BLADE	512911001 & UP	6537564	3.500	1.750	I	6596126	26.74
	BLADE	512920001 & UP	6537564	3.500	1.750	I	6596126	26.74
	BLADE	512911001- 512912001	6595987	3.500	1.750	I	6596126	26.74
	BLADE	512920001 & UP	6595987	3.500	1.750	I	6596126	26.74
	BLADE	512913001 & UP	6597350	3.500	1.750	I	6596126	26.74
	SWING	512911001 & UP	6537577	3.000	1.500	I	6589797	19.14
	SWING	512920001 & UP	6537577	3.000	1.500	I	6589797	19.14
	SWING	512911001 & UP	6589756	3.000	1.500	I	6803272	23.77
	SWING	512920001 & UP	6589756	3.000	1.500	I	6803272	23.77

All manufacturer's names, part numbers and descriptions are used for reference purposes only. We do not imply that any part shown is the product of these manufacturers.

INDUSTRIAL SEAL KITS

MOBILE SEAL KITS

BOBCAT

## SKID STEER LOADERS

## BOBCAT

INDUSTRIAL SEAL KITS

MOBILE SEAL KITS

BOBCAT

Model	Application	Serial Number	Cylinder Number	Bore	Rod	I	Ref. Number RBOB-	\$
						M		
<b>310, 313, 371</b>	LIFT			2.000	1.000	I	6587790	14.35
	TILT			2.000	1.000	I	6587790	14.35
<b>440</b>	LIFT			2.000	1.000	I	6587790	14.35
<b>440B</b>	LIFT	505214001	6587789, 6592983	2.000	1.000	I	6587790	14.35
	TILT	505214001	6589196, 6592700	3.250	1.250	I	6803334	25.12
<b>443</b>	LIFT			2.000	1.000	I	6504960	9.68
	TILT			3.000	1.250	I	6661329	17.65
<b>444 - 500</b>	LIFT			2.000	1.250	I	6504959	10.65
	TILT			2.000	1.000	I	6504960	9.68
<b>450, 453 520-530-533- 540-542B- 543B</b>	LIFT			2.000	1.000	I	6587790	14.35
	LIFT			2.000	1.250	I	6504959	10.65
	TILT			3.000	1.500	I	6551271	11.40
	TILT			3.000	1.500	I	6803272	23.77
<b>553</b>	LIFT			2.000	1.250	I	6586298	19.25
	TILT			3.000	1.500	I	6803272	23.77
<b>600-610-620</b>	LIFT	4958MA17001	6501103	2.000	1.250	I	6803329	20.67
	TILT	4958MA17001		2.000	1.000	I	6504960	9.68
	TILT	4958MA17001	6531681	2.000	1.000	I	6587790	14.35
<b>630</b>	LIFT			2.000	1.250	I	6803329	20.67
	TILT			3.250	1.500	I	6661308	19.71
	TILT	PRIOR TO 12999		3.000	1.500	I	6587989	27.97
<b>640</b>	TILT			3.250	1.500	I	6661308	19.71
<b>642</b>	LIFT	5014-M-11001	6586671	2.000	1.250	I	6803329	20.67
	TILT	5014-M-11001		3.250	1.500	I	6529691	18.35
	w/welded tube TILT	5014-M-11001		3.250	1.500	I	6591885	18.71
	w/replaceable tube TILT	5014-M-11001	6539810	3.250	1.500	I	6661308	19.71
<b>642B</b>	w/replaceable tube LIFT	504025001	6586671	2.000	1.250	I	6586298	19.25
	TILT	504025001	6539810	3.250	1.500	I	6661308	19.71
<b>643</b>	LIFT	5015-M-13001	6586671	2.000	1.250	I	6803329	20.67
	w/replaceable tube							

All manufacturer's names, part numbers and descriptions are used for reference purposes only. We do not imply that any part shown is the product of these manufacturers.

**Tel.: (905) 362-0889**  
**Fax: (888) 238-1664**

**KITS 99**

[www.sealsonline.com](http://www.sealsonline.com)



## BOBCAT

## SKID STEER LOADERS

Model	Application	Serial Number	Cylinder Number	Bore	Rod	I	Ref. Number RBOB-	\$
						M		
	TILT w/welded tube	5015-M-13001		3.250	1.500	I	6661308	19.71
	TILT w/replaceable tube	5015-M-13001		3.250	1.500	I	6591885	18.71
	TILT w/replaceable tube	5015-M-13001	6539810	3.250	1.500	I	6661308	19.71
<b>653</b>	TILT			3.250	1.500	I	6589792	28.76
<b>700-720-721-722</b>	LIFT			2.000	1.250	I	6504959	10.65
	TILT			2.000	1.000	I	6504960	9.68
<b>730-731-732</b>	LIFT			2.000	1.250	I	6803329	20.67
	LIFT			3.250	1.500	I	6661308	19.71
	TILT			3.250	1.500	I	6661308	19.71
	TILT			3.250	1.500	I	6514736	20.51
<b>741-742-743</b>	LIFT	507423001		2.000	1.250	I	6586298	19.25
	LIFT w/replaceable tube	507423001	6586671	2.000	1.250	I	6803329	20.67
	TILT	507423001		3.250	1.500	I	6514736	20.51
	TILT	507423001	6539810	3.250	1.500	I	6661308	19.71
	TILT (Melroe)	507423001		3.250	1.500	I	6538144	23.79
<b>742B</b>	TILT (CESSNA)	507423001		3.250	1.500	I	6514736	20.51
	LIFT	18001 & UP	6586671	2.000	1.250	I	6803329	20.67
<b>743B</b>	TILT	18001 & UP	6539810	3.250	1.500	I	6661308	19.71
	LIFT w/replaceable tube	509318001	6586671	2.000	1.250	I	6803329	20.67
<b>751</b>	TILT (Melroe)	509318001	6539810	3.250	1.500	I	6661308	19.71
	LIFT	514711001	6586575	2.000	1.250	I	6803329	20.67
<b>753</b>	TILT	514711001	6586905	3.250	1.500	I	6589792	28.76
	LIFT			2.000	1.250	I	6586298	19.25
<b>763</b>	TILT			3.250	1.500	I	6538144	23.79
	LIFT	512212001 & UP	6589259	2.250	1.500	I	6803325	25.75
<b>773</b>	TILT	512212001 & UP	6804630	3.500	1.500	I	6804606	29.91
	w/rod eye grease							
<b>825</b>	LIFT	509635001	6537254	2.250	1.500	I	6803325	25.75
	TILT	509635001	6539931	3.500	1.500	I	6803274	23.42
<b>825</b>	LIFT			2.250	1.500	I	6555117	11.03
	TILT			2.250	1.000	I	6544447	11.08

All manufacturer's names, part numbers and descriptions are used for reference purposes only. We do not imply that any part shown is the product of these manufacturers.

INDUSTRIAL  
SEAL KITS

MOBILE  
SEAL KITS

BOBCAT

## SKID STEER LOADERS

## BOBCAT

Model	Application	Serial Number	Cylinder Number	Bore	Rod	I	Ref. Number RBOB-	\$
						M		
843	LIFT			2.250	1.500	I	6587974	17.65
	TILT			3.250	1.500	I	6538144	23.79
	TILT			3.250	1.500	I	6661308	19.71
843B	LIFT	503760001	6529692	2.250	1.500	I	6589793	17.10
	TILT	503760001	6539808	3.250	1.500	I	6661308	19.71
853	LIFT	512811001-15999	6587125	2.250	1.500	I	6586915	17.14
	LIFT	512811001-15999		2.250	1.500	I	6587974	17.65
	TILT	512811001-15999	6586991	3.250	1.500	I	6589792	28.76
	TILT	512811001-15999		3.250	1.500	I	6661308	19.71
863	LIFT	514411001 & UP	6800973	2.500	1.750	I	6803312	28.17
	TILT	514411001 & UP		3.500	1.500	I	6803274	23.42
	TILT	514411001 & UP	6800466	3.500	1.625	I	6804615	30.36
873	LIFT	514111001 & UP	6589198	2.750	1.500	I	6804609	39.21
	TILT R.H.	514111001-11573	6597388	2.500	1.250	I	6595177	16.82
	TILT R.H.	514111574-15042	6597377	2.500	1.250	I	6595177	16.82
	TILT R.H.	514115043 & UP	6800682	2.750	1.625	I	6804616	40.88
	TILT L.H.	514111001-11573	6597387	2.500	1.250	I	6595177	16.82
	TILT L.H.	514111574-15042	6597376	2.500	1.250	I	6595177	16.82
	TILT L.H.	514115043 & UP	6800683	2.750	1.625	I	6804616	40.88
943	LIFT			3.000	1.750	I	6587990	33.25
	TILT			3.000	1.500	I	6551271	11.40
970	LIFT			3.500	2.000	I	6588059	38.81
	LIFT	PRIOR TO 110418		3.500	2.000	I	6509053	18.58
	TILT			3.000	1.500	I	6803272	23.77
974-975	LIFT			3.500	2.000	I	6588059	38.81
	TILT			3.000	1.500	I	6551271	11.40
	TILT			3.000	1.500	I	6803272	23.77
980	LIFT			3.500	2.000	I	6588059	38.81
	TILT			3.000	1.500	I	6587989	27.97
1213	LIFT			2.250	1.500	I	6589793	17.10
1600	LIFT			3.500	2.000	I	6588059	38.81

## ARTICULATED LOADERS

2400 SERIES	LOADER LIFT			3.000	1.750	I	6587990	33.25
	LOADER TILT			2.750	1.500	I	6589796	17.18
	STEERING			2.750	1.250	I	6661296	13.80

All manufacturer's names, part numbers and descriptions are used for reference purposes only. We do not imply that any part shown is the product of these manufacturers.

Tel.: (204) 783-9617  
Fax: (204) 783-6091

**KITS 101**

[www.sealsonline.com](http://www.sealsonline.com)

INDUSTRIAL  
SEAL KITS

MOBILE  
SEAL KITS

BOBCAT

## BOBCAT

## KIT LISTING

Ref. Number	Desc.	Bore	Rod	\$	Ref. Number	Desc.	Bore	Rod	\$
RBOB-6504945	SEAL KIT	1.875	1.000	4.83	RBOB-6589796	SEAL KIT	2.750	1.500	17.18
RBOB-6504959	SEAL KIT	2.000	1.000	10.65	RBOB-6589797	SEAL KIT	3.000	1.500	19.14
RBOB-6504960	SEAL KIT	2.000	1.000	9.68	RBOB-6589798	SEAL KIT	3.000	1.500	26.89
RBOB-6504961	SEAL KIT	2.000	1.000	4.88	RBOB-6589807	SEAL KIT	2.375	1.500	24.91
RBOB-6505849	SEAL KIT	2.000	1.125	25.78	RBOB-6589868	SEAL KIT	2.375	1.250	17.70
RBOB-6505850	SEAL KIT	2.000	1.000	17.81	RBOB-6590898	SEAL KIT	3.000	2.000	19.20
RBOB-6509052	SEAL KIT	3.000	1.500	19.52	RBOB-6591031	SEAL KIT	5.500	2.500	40.58
RBOB-6509053	SEAL KIT	3.500	2.000	18.58	RBOB-6591885	SEAL KIT	3.250	1.500	18.71
RBOB-6509122	SEAL KIT	4.000	2.000	45.69	RBOB-6592010	SEAL KIT	3.000	1.500	15.41
RBOB-6509123	SEAL KIT	4.000	2.500	49.60	RBOB-6592276	SEAL KIT	2.250	1.000	14.55
RBOB-6509124	SEAL KIT	3.500	2.000	31.46	RBOB-6592780	SEAL KIT	3.000	1.750	17.14
RBOB-6511216	SEAL KIT	5.000	2.500	30.45	RBOB-6593287	SEAL KIT	3.750	2.000	20.90
RBOB-6511620	ACCUMULATOR KIT			10.03	RBOB-6595177	SEAL KIT	2.500	1.250	16.82
RBOB-6512049	SEAL KIT	2.500	1.250	30.45	RBOB-6596126	SEAL KIT	3.500	1.750	26.74
RBOB-6512891	SEAL KIT	3.000	1.500	14.97	RBOB-6598343	SEAL KIT	2.000	1.000	12.65
RBOB-6514736	SEAL KIT	3.250	1.500	20.51	RBOB-6634687	SEAL KIT	2.500	1.250	23.72
RBOB-6515452	SEAL KIT	3.000	1.500	10.75	RBOB-6635405	SEAL KIT	2.500	1.125	7.83
RBOB-6515459	SEAL KIT		2.750	16.34	RBOB-6651242	MOTOR SEAL KIT			69.78
RBOB-6519428	SEAL KIT	4.000	2.000	50.97	RBOB-6656283	O-RING KIT			3.74
RBOB-6529691	SEAL KIT	3.250	1.500	18.35	RBOB-6660750	O-RING KIT			3.83
RBOB-6538144	SEAL KIT	3.250	1.500	23.79	RBOB-6661046	SEAL KIT	2.375	1.375	65.77
RBOB-6544447	SEAL KIT	2.250	1.000	11.08	RBOB-6661047	SEAL KIT	2.375	1.750	20.34
RBOB-6544448	SEAL KIT	2.250	1.250	10.20	RBOB-6661051	SEAL KIT	3.250	1.750	19.62
RBOB-6548178	SEAL KIT	3.500	2.000	14.55	RBOB-6661052	SEAL KIT	3.500	1.750	20.60
RBOB-6551271	SEAL KIT	3.000	1.500	11.40	RBOB-6661053	SEAL KIT	3.000	1.500	20.15
RBOB-6555117	SEAL KIT	2.250	1.500	11.03	RBOB-6661288	SEAL KIT	2.000	1.000	12.18
RBOB-6555851	SEAL KIT	3.500	1.500	16.20	RBOB-6661296	SEAL KIT	2.750	1.250	13.80
RBOB-6557718	SEAL KIT	3.000	1.500	10.68	RBOB-6661297	SEAL KIT	3.250	1.500	16.05
RBOB-6557719	SEAL KIT	2.000	1.250	10.27	RBOB-6661298	SEAL KIT	3.250	1.500	33.96
RBOB-6558847	SEAL KIT	3.250	1.500	12.18	RBOB-6661308	SEAL KIT	3.250	1.500	19.71
RBOB-6573437	SEAL KIT	2.000	1.500	1.87	RBOB-6661317	SEAL KIT	2.250	1.250	15.24
RBOB-6586298	SEAL KIT	2.000	1.250	19.25	RBOB-6661328	VALVE SEAL KIT			16.67
RBOB-6586915	SEAL KIT	2.250	1.500	17.14	RBOB-6661329	SEAL KIT	3.000	1.250	17.65
RBOB-6587790	SEAL KIT	2.000	1.000	14.35	RBOB-6801183	SEAL KIT	3.250	1.250	15.43
RBOB-6587974	SEAL KIT	2.250	1.500	17.65	RBOB-6803268	SEAL KIT	2.750	1.500	29.99
RBOB-6587985	SEAL KIT	2.250	1.500	30.39	RBOB-6803272	SEAL KIT	3.000	1.500	23.77
RBOB-6587987	SEAL KIT	2.750	1.500	13.85	RBOB-6803274	SEAL KIT	3.500	1.500	23.42
RBOB-6587989	SEAL KIT	3.000	1.500	27.97	RBOB-6803281	SEAL KIT	2.375	1.375	32.12
RBOB-6587990	SEAL KIT	3.000	1.750	33.25	RBOB-6803312	SEAL KIT	2.500	1.750	28.17
RBOB-6587991	SEAL KIT	3.750	1.750	25.92	RBOB-6803325	SEAL KIT	2.250	1.500	25.75
RBOB-6588059	SEAL KIT	3.500	2.000	38.81	RBOB-6803329	SEAL KIT	2.375	1.250	20.67
RBOB-6588079	SEAL KIT	3.000	1.750	24.14	RBOB-6803334	SEAL KIT	3.250	1.250	25.12
RBOB-6588083	SEAL KIT	3.250	2.000	39.93	RBOB-6804605	SEAL KIT	1.500	3.250	39.75
RBOB-6589064	SEAL KIT	2.000	1.000	34.32	RBOB-6804606	SEAL KIT	3.500	1.500	29.91
RBOB-6589786	SEAL KIT	2.750	1.500	23.62	RBOB-6804609	SEAL KIT	2.750	1.500	39.21
RBOB-6589792	SEAL KIT	3.250	1.500	28.76	RBOB-6804615	SEAL KIT	3.500	1.625	30.36
RBOB-6589793	SEAL KIT	2.250	1.500	17.10	RBOB-6804616	SEAL KIT	2.750	1.625	40.88
RBOB-6589794	SEAL KIT	2.250	1.500	23.19	RBOB-749049	SEAL KIT	2.000	1.500	11.43

All manufacturer's names, part numbers and descriptions are used for reference purposes only. We do not imply that any part shown is the product of these manufacturers.

INDUSTRIAL SEAL KITS

MOBILE SEAL KITS

BOBCAT

## CATERPILLAR INDEX FOR SEAL KITS AND PARTS

INDUSTRIAL SEAL KITS

MOBILE SEAL KITS



CATERPILLAR

	<b>AGRICULTURAL TRACTOR</b>						<b>KITS 106</b>	
	35	55	65B	65E	73D	75D	85D	
	45	55B	65C	69D	75	75E	85E	
	45B	65	65D	70C	75C	85C	95E	
	<b>ARTICULATED TRUCK</b>						<b>KITS 108</b>	
	D20D	D30C	D35HPC	D250B	D300B	D350C	D400	
	D25C	D30D	D40D	D250D	D300D	D350D	D400D	
	D25D	D35C	D44B	D250E	D300E	D350E	D400E	
	<b>ASPHALT PAVER</b>						<b>KITS 112</b>	
	AP650B	AP1000	AP1055B	BG240C	BG260C			
	AP800	AP1000B	BG210B	BG245B	BG265B			
	AP800C	AP1050	BG225C	BG245C	BG270B			
	AP900B	AP1050B	BG230	BG260B	BG2455C			
	<b>BACKHOE LOADER</b>						<b>KITS 115</b>	
	416	426	428	436	438	446		
	416B	426B	428B	436B	438B	446B		
	416C	426C	428C	436C	438C			
	<b>COLD PLANER</b>						<b>KITS 125</b>	
	PM465	PM565	PM565B	PR450	PR450C	PR750C		
	<b>EXCAVATOR</b>						<b>KITS 126</b>	
	215	226	236	311	320	345B	E180	
	215B	227	245	311B	320B	350	E200B	
	215C	228	245B	312	320S	365	E240	
	215D	229	245D	312B	321B	365B	E240B	
	216	229D	246	313B	322	375	E300	
	219	231D	248	315	322B	E110	E300B	
	219D	235	301.5	315B	325	E110B	E450	
	225	235B	307	317	325B	E120	E650	
	225B	235C	307B	317B	330	E120B	E70	
	225D	235D	308B	318B	330B	E140	EL180	
	<b>FOREST MACHINE</b>						<b>KITS 144</b>	
	508	517	518C	522C	525B	528	530B	
	515	518	520D	525	527	528B	535B	
	<b>FRONT-SHOVEL EXCAVATOR</b>						<b>KITS 147</b>	
	5080	5110	5130	5130B	5230	5230B		
	<b>INTEGRATED TOOL CARRIER</b>						<b>KITS 149</b>	
	IT12	IT14B	IT14G	IT18F	IT28B	IT38F		
	IT12B	IT14F	IT18	IT24F	IT28F	IT38G		
	IT12F	IT14G	IT18B	IT28	IT28G	IT62G		
	<b>LANDFILL COMPACTOR</b>						<b>KITS 153</b>	
	816	826B	836					
	816B	826C						
	816F	826G						
	<b>MOTOR GRADER</b>						<b>KITS 154</b>	
	12G	14H	16H	120G	135H	140H	160H	
	12H	16	24H	120H	140B	143H	163H	
	14G	16G	120B	130G	140G	160G		

All manufacturer's names, part numbers and descriptions are used for reference purposes only. We do not imply that any part shown is the product of these manufacturers.


**Tel.: (204) 783-9617**  
**Fax: (204) 783-6091**


**KITS 103**

[www.sealsonline.com](http://www.sealsonline.com)

## CATERPILLAR INDEX FOR SEAL KITS AND PARTS


INDUSTRIAL SEAL KITS


	<b>OFF-HIGHWAY TRUCK</b>							<b>KITS 163</b>
	768B	769C	773	775D	777	785	789B	793C
	768C	769D	773B	776B	777B	785B	789C	797
	769	771C	773D	776C	777C	785C	793	797B
	769B	771D	775	776D	777D	789	793B	


	<b>PIPELAYER</b>					<b>KITS 168</b>
	561B	561D	572F	583H	583R	594H
	561C	572E	580	583K	594	


	<b>PNEUMATIC TIRED COMPACTOR</b>			<b>KITS 169</b>
	PF300	PS300	PS500	


	<b>ROAD RECLAIMER/SOIL STABILIZER</b>					<b>KITS 169</b>
	RM350	RR250	RR250B	SM350	SS250	SS250B


	<b>SCRAPER</b>						<b>KITS 170</b>	
	611	621B	623E	630B	633D	639SC	651SC	666B
	613	621E	623F	631B	633E	641	657	666SC
	613B	621F	623SC	631C	633SC	641B	657B	J621
	613C	621G	623SCG	631D	637	641SC	657E	
	613SC	621R	627	631E	637D	650	657SC	
	615	621S	627B	631G	637E	650SC	660	
	615C	621SC	627E	631SC	637G	651	660B	
	615SC	623	627F	633	637SC	651B	660SC	
	621	623B	627SC	633C	639D	651E	666	

	<b>SOIL COMPACTOR</b>						<b>KITS 184</b>
	815	815B	815F	825B	825C	825G	835

	<b>TELEHANDLER</b>				<b>KITS 185</b>
	TH62	TH63	TH82	TH83	

	<b>TRACK LOADER</b>						<b>KITS 185</b>	
	931	933C	939C	943B	953B	955H	963B	977K
	931B	935B	941	951B	953C	955K	963C	977L
	931C	935C	941B	951C	955C	955L	973	983
	933	939	943	953	955E	963	973C	

	<b>TRACK TYPE TRACTOR</b>					<b>KITS 195</b>
	D2	D4H	D5TSKH	D6R	D8L	D10
	D3	D4TSKH	D6B	D7E	D8N	D10N
	D3B	D5	D6C	D7F	D8R	D10R
	D3C	D5B	D6D	D7G	D9G	D11N
	D4B	D5C	D6E	D7H	D9H	D11R
	D4C	D5E	D6G	D7R	D9L	
	D4D	D5H	D6H	D8H	D9N	
	D4E	D5M	D6M	D8K	D9R	

	<b>TRACTOR</b>			<b>KITS 208</b>
	772	772B	776	784C

	<b>VIBRATORY COMPACTOR</b>				<b>KITS 209</b>
	CB214B	CB214C	CB224C	CB534	CS323C


All manufacturer's names, part numbers and descriptions are used for reference purposes only. We do not imply that any part shown is the product of these manufacturers.


MOBILE SEAL KITS




CATERPILLAR

## CATERPILLAR INDEX FOR SEAL KITS AND PARTS

	<b>WHEEL DOZER</b>						<b>KITS 209</b>
	236	814B	824	824C	830M	834B	854G
	814	814F	824B	824G	834	844	

	<b>WHEEL LOADER</b>						<b>KITS 212</b>	
	902	918F	930R	950B	966C	980B	98OG	G910
	906	920	930T	950E	966D	980C	990	G916
	908	924F	936	950F	966E	980F	992	G926
	910	924G	936E	950G	966F	980G	992B	G936
	910E	926	936F	960F	966G	988	992C	
	910F	926E	938F	960G	966R	988B	992D	
	910G	928F	938G	962G	970F	988F	992G	
	914G	928G	944	966A	972G	988G	994	
	916	930	950	966B	980	98OF	994D	

	<b>CATERPILLAR KIT LISTING</b>						<b>KITS 226</b>

	<b>CATERPILLAR PARTS</b>				<b>KITS 239</b>
	ROD WIPER	KITS	240	METAL BEARING	KITS 280
	ROD SEAL	KITS	249	OVERSIZE HEAD SEAL	KITS 281
	PISTON SEAL	KITS	257	LOCK NUT	KITS 282
	VEE PACKING	KITS	266	RETAINING RING	KITS 283
	GUIDING ELEMENT	KITS	267		
	O-RING KIT	KITS	279		
	HYD.HOSE COUPLING SEAL	KITS	280		



All manufacturer's names, part numbers and descriptions are used for reference purposes only. We do not imply that any part shown is the product of these manufacturers.

Tel.: (780) 414-1871  
Fax: (780) 487-5419

**KITS 105**

[www.sealsonline.com](http://www.sealsonline.com)

INDUSTRIAL  
SEAL KITS

MOBILE  
SEAL KITS



CATERPILLAR

## CATERPILLAR

## AGRICULTURAL TRACTORS

Model	Application	Cylinder Group	Engineering Design Change Level	Cylinder Assembly Part No.	Bore	Rod	I	Ref. Number RCAT-	\$
							M		
<b>35</b>	Hitch Lift	1518881	0-up		4.000	1.750	I	1657746	132.52
	Hitch Lift	1518992	0-up		4.500	1.750	I	1657747	139.50
	Hitch Lift	1600158	0-up	1128948	4.000	1.750	I	1711168	70.80
	Hitch Lift	1600159	0-up	1135476	4.500	1.750	I	1711421	185.96
<b>45</b>	Hitch Lift	1518881	0-up		4.000	1.750	I	1657746	132.52
	Hitch Lift	1518992	0-up		4.500	1.750	I	1657747	139.50
	Hitch Lift	1600158	0-up	1128948	4.000	1.750	I	1711168	70.80
	Hitch Lift	1600159	0-up	1135476	4.500	1.750	I	1711421	185.96
<b>45B</b>	Hitch Lift	1518881	0-up		4.000	1.750	I	1657746	132.52
	Hitch Lift	1518992	0-up		4.500	1.750	I	1657747	139.50
<b>55</b>	Hitch Lift	1518881	0-up		4.000	1.750	I	1657746	132.52
	Hitch Lift	1518992	0-up		4.500	1.750	I	1657747	139.50
	Hitch Lift	1600158	0-up	1128948	4.000	1.750	I	1711168	70.80
	Hitch Lift	1600159	0-up	1135476	4.500	1.750	I	1711421	185.96
<b>55B</b>	Hitch Lift	1518881	0-up		4.000	1.750	I	1657746	132.52
	Hitch Lift	1518992	0-up		4.500	1.750	I	1657747	139.50
<b>65</b>	Lift	9T2230	0	9T2476	4.000	2.000	I	2406899	103.07
	Lift	9T2230	1-up	9T2476	4.000	2.000	I	2339205	57.79
	Lift	9T9517	0-up	9T9773	4.000	2.000	I	2339205	57.79
<b>65B</b>	Lift	9T2230	0	9T2476	4.000	2.000	I	2406899	103.07
	Lift	9T2230	1-up	9T2476	4.000	2.000	I	2339205	57.79
	Lift	9T9517	0-up	9T9773	4.000	2.000	I	2339205	57.79
<b>65C</b>	Belt Tensioner	6E1428	0-up	6E1421	9.250	2.750	I	2440970	363.18
	Lift	9T9517	0-up	9T9773	4.000	2.000	I	2339205	57.79
	Tensioner	1504382	0-up	1504383	9.250	2.750	I	2440970	363.18
<b>65D</b>	Belt Tensioner	6E1428	0-up	6E1421	9.250	2.750	I	2440970	363.18
	Lift	9T9517	0-up	9T9773	4.000	2.000	I	2339205	57.79
<b>65E</b>	Tensioner	1504382	0-up	1504383	9.250	2.750	I	2440970	363.18
	Lift	9T9517	0-up	9T9773	4.000	2.000	I	2339205	57.79
	Tensioner	1483031	0-up	6E1421	9.250	2.750	I	2440970	363.18
<b>69D</b>	Brake Release	9T7204	0-up		-	-	I	6E4057	130.15
	Hoist	9J4149	0-up		7.000	4.000	I	8T4772	310.53
	N/A	4T4168	0-up	9J4150	7.000	4.000	I	8T4772	310.53
	Steering	1100532	0-up	1100533	3.000	2.000	I	2384462	64.98
	Steering	9J1287	0-up	9J1301	3.750	2.375	I	2578422	144.63
	Suspension	1162836	0-up	9T6085	8.500	7.000	I	1417296	227.30
	Suspension	1303921	0-up		8.000	7.000	I	1137475	715.42

All manufacturer's names, part numbers and descriptions are used for reference purposes only. We do not imply that any part shown is the product of these manufacturers.

INDUSTRIAL SEAL KITS

MOBILE SEAL KITS

CATERPILLAR

## AGRICULTURAL TRACTORS

## CATERPILLAR

Model	Application	Cylinder Group	Engineering Design Change Level	Cylinder Assembly Part No.	Bore	Rod	I	Ref. Number RCAT-	\$
							M		
<b>70C</b>	Belt Tensioner	6E1428	0-up	6E1421	9.250	2.750	I	2440970	363.18
	Lift	9T9517	0-up	9T9773	4.000	2.000	I	2339205	57.79
	Tensioner	1504382	0-up	1504383	9.250	2.750	I	2440970	363.18
<b>73D</b>	Brake Release	9T7204	0-up		-	-	I	6E4057	130.15
	Braking	1131824	0-up		-	-	I	1345986	200.42
	Hoist	1455155	0-up	9J2539	8.250	5.000	I	8T9042	449.34
	Hoist	9J2017	3-up	9J2539	8.250	5.000	I	8T9042	449.34
	Hoist	9T3122	0-up	9J2539	8.250	5.000	I	8T9042	449.34
	Steering RH	7J7686	0-up	7J7684	4.000	2.375	I	2418925	48.09
	Suspension	1162837	0-up	9T6081	8.500	7.000	I	1417296	227.30
	Suspension	1163092	0-up		8.000	7.000	I	1137478	929.91
	Suspension Front	1U4777	8-up	1007415	8.000	7.000	I	1137478	929.91
Suspension Rear	9T6082	0-up	9T6081	8.500	7.000	I	1417296	227.30	
<b>75</b>	Lift	9T2230	0	9T2476	4.000	2.000	I	2406899	103.07
	Lift	9T2230	1-up	9T2476	4.000	2.000	I	2339205	57.79
	Lift	9T9517	0-up	9T9773	4.000	2.000	I	2339205	57.79
<b>75C</b>	Belt Tensioner	6E1428	0-up	6E1421	9.250	2.750	I	2440970	363.18
	Lift	9T9517	0-up	9T9773	4.000	2.000	I	2339205	57.79
	Tensioner	1504382	0-up	1504383	9.250	2.750	I	2440970	363.18
<b>75D</b>	Belt Tensioner	6E1428	0-up	6E1421	9.250	2.750	I	2440970	363.18
	Lift	9T9517	0-up	9T9773	4.000	2.000	I	2339205	57.79
	Tensioner	1504382	0-up	1504383	9.250	2.750	I	2440970	363.18
<b>75E</b>	Lift	9T9517	0-up	9T9773	4.000	2.000	I	2339205	57.79
	Tensioner	1483031	0-up	6E1421	9.250	2.750	I	2440970	363.18
<b>85C</b>	Belt Tensioner	6E1428	0-up	6E1421	9.250	2.750	I	2440970	363.18
	Lift	9T9517	0-up	9T9773	4.000	2.000	I	2339205	57.79
	Tensioner	1504382	0-up	1504383	9.250	2.750	I	2440970	363.18
<b>85D</b>	Belt Tensioner	6E1428	0-up	6E1421	9.250	2.750	I	2440970	363.18
	Tensioner	1504382	0-up	1504383	9.250	2.750	I	2440970	363.18
<b>85E</b>	Tensioner	1483031	0-up	6E1421	9.250	2.750	I	2440970	363.18
<b>95E</b>	Tensioner	1483031	0-up	6E1421	9.250	2.750	I	2440970	363.18

INDUSTRIAL  
SEAL KITS

MOBILE  
SEAL KITS



CATERPILLAR

All manufacturer's names, part numbers and descriptions are used for reference purposes only. We do not imply that any part shown is the product of these manufacturers.

Tel.: (403) 279-1871  
Fax: (403) 279-1821

**KITS 107**

[www.sealsonline.com](http://www.sealsonline.com)



## CATERPILLAR

## ARTICULATED TRUCK

Model	Application	Cylinder Group	Engineering Design Change Level	Cylinder Assembly Part No.	Bore	Rod	I	Ref. Number RCAT-	\$
							M		
<b>D20D</b>	Hoist	7U7400	0-up	7U8027	4.500	2.750	I	7U8058	153.02
	Suspension	1340006	0-up		4.500	4.000	I	2463425	246.52
	Suspension	7U7230	10-up	7U8517	4.500	4.000	I	2463425	246.52
<b>D25C</b>	Hoist	5U7777	0-up		5.500	3.500	I	5U7775	317.74
	Steering	7U2910	0-up		4.500	2.000	I	6U9552	116.07
	Suspension Front	6U4161	0-up		4.500	4.000	I	1045008	274.84
	Suspension Rear	7U9508	0-up		4.500	4.000	I	1045008	274.84
<b>D25D</b>	Hoist	5U7777	0-up		5.500	3.500	I	5U7775	317.74
	Steering	1433299	0-up	1433300	4.500	2.000	I	1857699	212.48
	Steering	1453620	0-up	1433300	4.500	2.000	I	2409942	98.13
	Steering	7U2910	0-up		4.500	2.000	I	6U9552	116.07
	Suspension	1049660	0-up	1159519	4.500	3.500	I	1417975	280.71
	Suspension	1511179	0-up	1159519	4.500	3.500	I	2460636	258.17
	Suspension Rear	7U9538	0-up		4.500	2.000	I	1857699	212.48
<b>D30C</b>	Hoist	5U7777	0-up		5.500	3.500	I	5U7775	317.74
	Steering	7U2910	0-up		4.500	2.000	I	6U9552	116.07
	Suspension Front	6U4161	0-up		4.500	4.000	I	1045008	274.84
	Suspension Rear	7U9508	0-up		4.500	4.000	I	1045008	274.84
<b>D30D</b>	Hoist	5U7777	0-up		5.500	3.500	I	5U7775	317.74
	Steering	1433299	0-up	1433300	4.500	2.000	I	1857699	212.48
	Steering	1453620	0-up	1433300	4.500	2.000	I	2409942	98.13
	Steering	7U2910	0-up		4.500	2.000	I	6U9552	116.07
	Suspension	1049660	0-up	1159519	4.500	3.500	I	1417975	280.71
	Suspension	1511179	0-up	1159519	4.500	3.500	I	2460636	258.17
	Suspension	2U9448	0-up		4.500	4.000	I	1045008	274.84
	Suspension Rear	7U9508	0-up		4.500	4.000	I	1045008	274.84
	Suspension Rear	7U9538	0-up		4.500	2.000	I	1857699	212.48
<b>D35C</b>	Hoist	5U7777	0-up		5.500	3.500	I	5U7775	317.74
	Steering	7U2910	0-up		4.500	2.000	I	6U9552	116.07
	Suspension Front	6U4161	0-up		4.500	4.000	I	1045008	274.84
	Suspension Trailer	6U4600	0-up		5.500	3.500	I	6U4788	317.46
<b>D35HPC</b>	Hoist	5U7777	0-up		5.500	3.500	I	5U7775	317.74
	Steering	7U2910	0-up		4.500	2.000	I	6U9552	116.07
	Suspension Front	6U4161	0-up		4.500	4.000	I	1045008	274.84
	Suspension Tractor	6U4385	0-up	5U3564	4.500	3.500	I	5U5413	303.92
	Suspension Trailer	6U4600	0-up		5.500	3.500	I	6U4788	317.46

All manufacturer's names, part numbers and descriptions are used for reference purposes only. We do not imply that any part shown is the product of these manufacturers.

INDUSTRIAL SEAL KITS

MOBILE SEAL KITS



CATERPILLAR

## ARTICULATED TRUCK

## CATERPILLAR

Model	Application	Cylinder Group	Engineering Design Change Level	Cylinder Assembly Part No.	Bore	Rod	I	Ref. Number RCAT-	\$
							M		
<b>D40D</b>	Hoist	7U3500	0-up	7U4173	5.250	2.000	I	7U5074	351.04
	Steering	1433299	0-up	1433300	4.500	2.000	I	1857699	212.48
	Steering	1453620	0-up	1433300	4.500	2.000	I	2409942	98.13
	Steering	7U2910	0-up		4.500	2.000	I	6U9552	116.07
	Suspension	1049660	0-up	1159519	4.500	3.500	I	1417975	280.71
	Suspension	1511179	0-up	1159519	4.500	3.500	I	2460636	258.17
	Suspension Rear	7U9538	0-up		4.500	2.000	I	1857699	212.48
<b>D44B</b>	Suspension Trailer	6U4600	0-up		5.500	3.500	I	6U4788	317.46
	Steering	5U6870	0-up		5.500	3.500	I	6U4788	317.46
	Suspension Tractor	5U6869	0-up		5.500	3.500	I	6U4788	317.46
<b>D250B</b>	Suspension Trailer	6U4600	0-up		5.500	3.500	I	6U4788	317.46
	Hoist	1434850	1-up	1597616	5.500	3.500	I	2456825	248.44
	Hoist	5U7773	0-up		5.500	3.500	I	5U7775	317.74
<b>D250D</b>	Steering	5U9000	0-up		4.500	2.000	I	6U9552	116.07
	Suspension	6U3250	0-up		4.250	3.500	I	7U6672	164.17
	Tailgate	1512611	0-up		3.000	2.000	I	2384462	64.98
	Hoist	1478507	0-up	1219214	4.000	2.750	I	2440971	167.10
	Suspension	1340006	0-up		4.500	4.000	I	2463425	246.52
<b>D250E</b>	Suspension	7U7230	10-up	7U8517	4.500	4.000	I	2463425	246.52
	Tailgate	1512611	0-up		3.000	2.000	I	2384462	64.98
	Hoist	1218909	0-up	1219214	4.000	2.750	I	2456823	951.23
	Hoist	1256187	0-up	1269075	4.000	3.000	I	2440976	215.07
	Hoist	1478507	0-up	1219214	4.000	2.750	I	2440971	167.10
	N/A	1447657	0-up	1451027	4.500	4.000	I	2463425	246.52
	Steering	1185432	0-up	1193960	4.000	2.000	I	1857687	147.11
	Steering	1466651	0-up		4.000	2.000	I	1857687	147.11
<b>D300B</b>	Suspension	1340006	0-up		4.500	4.000	I	2463425	246.52
	Suspension	7U7230	10-up	7U8517	4.500	4.000	I	2463425	246.52
	Tailgate	1512611	0-up		3.000	2.000	I	2384462	64.98
	Hoist	1434850	1-up	1597616	5.500	3.500	I	2456825	248.44
<b>D300D</b>	Hoist	5U7773	0-up		5.500	3.500	I	5U7775	317.74
	Steering	5U9000	0-up		4.500	2.000	I	6U9552	116.07
	Suspension	6U3250	0-up		4.250	3.500	I	7U6672	164.17
	Tailgate	1512611	0-up		3.000	2.000	I	2384462	64.98
<b>D300D</b>	Hoist	7U8686	0-up	7U8685	5.000	3.500	I	7U8697	199.62
	Steering	7U8331	0-up		4.000	2.000	I	7U8423	147.06
	Tailgate	1512611	0-up		3.000	2.000	I	2384462	64.98

INDUSTRIAL  
SEAL KITS

MOBILE  
SEAL KITS



CATERPILLAR

All manufacturer's names, part numbers and descriptions are used for reference purposes only. We do not imply that any part shown is the product of these manufacturers.

Tel.: (604) 278-6808  
Fax: (604) 278-6180

**KITS 109**

[www.sealsonline.com](http://www.sealsonline.com)

## CATERPILLAR

## ARTICULATED TRUCK

Model	Application	Cylinder Group	Engineering Design Change Level	Cylinder Assembly Part No.	Bore	Rod	I	Ref. Number RCAT-	\$
							M		
<b>D300E</b>	Hoist	1256188	0-up	1264071	4.500	3.500	I	2456840	292.43
	N/A	1447657	0-up	1451027	4.500	4.000	I	2463425	246.52
	Steering	1185432	0-up	1193960	4.000	2.000	I	1857687	147.11
	Steering	1466651	0-up		4.000	2.000	I	1857687	147.11
	Suspension	1340006	0-up		4.500	4.000	I	2463425	246.52
	Suspension	7U7230	10-up	7U8517	4.500	4.000	I	2463425	246.52
	Tailgate	1512611	0-up		3.000	2.000	I	2384462	64.98
<b>D350C</b>	Hoist	1434850	1-up	1597616	5.500	3.500	I	2456825	248.44
	Hoist	5U7773	0-up		5.500	3.500	I	5U7775	317.74
	Steering	7U2910	0-up		4.500	2.000	I	6U9552	116.07
	Suspension	7U2476	0-up		4.500	4.000	I	7U2486	318.74
	Suspension Front	6U4161	0-up		4.500	4.000	I	1045008	274.84
	Tailgate	1512611	0-up		3.000	2.000	I	2384462	64.98
<b>D350D</b>	Hoist	1434850	1-up	1597616	5.500	3.500	I	2456825	248.44
	Hoist	5U7773	0-up		5.500	3.500	I	5U7775	317.74
	Steering	1433299	0-up	1433300	4.500	2.000	I	1857699	212.48
	Steering	1453620	0-up	1433300	4.500	2.000	I	2409942	98.13
	Steering	7U2910	0-up		4.500	2.000	I	6U9552	116.07
	Suspension	1049660	0-up	1159519	4.500	3.500	I	1417975	280.71
	Suspension	1331584	0-up	1331258	4.500	4.000	I	2463426	187.69
	Suspension	1511179	0-up	1159519	4.500	3.500	I	2460636	258.17
	Suspension	2U8060	2-up	1352996	4.500	4.000	I	1045008	274.84
	Suspension	7U2476	0-up		4.500	4.000	I	7U2486	318.74
	Suspension Rear	7U9538	0-up		4.500	2.000	I	1857699	212.48
	Tailgate	1512611	0-up		3.000	2.000	I	2384462	64.98
<b>D350E</b>	Hoist	1434850	1-up	1597616	5.500	3.500	I	2456825	248.44
	Hoist	5U7773	0-up		5.500	3.500	I	5U7775	317.74
	Steering	1433299	0-up	1433300	4.500	2.000	I	1857699	212.48
	Steering	1453620	0-up	1433300	4.500	2.000	I	2409942	98.13
	Steering	7U2910	0-up		4.500	2.000	I	6U9552	116.07
	Suspension	1049660	0-up	1159519	4.500	3.500	I	1417975	280.71
	Suspension	1331584	0-up	1331258	4.500	4.000	I	2463426	187.69
	Suspension	1511179	0-up	1159519	4.500	3.500	I	2460636	258.17
	Suspension	2U8060	2-up	1352996	4.500	4.000	I	1045008	274.84
	Suspension	7U2476	0-up		4.500	4.000	I	7U2486	318.74
	Suspension Rear	7U9538	0-up		4.500	2.000	I	1857699	212.48
	Tailgate	1512611	0-up		3.000	2.000	I	2384462	64.98
<b>D400</b>	Hoist	1434850	1-up	1597616	5.500	3.500	I	2456825	248.44
	Hoist	5U7773	0-up		5.500	3.500	I	5U7775	317.74
	Steering	7U2910	0-up		4.500	2.000	I	6U9552	116.07
	Suspension	7U2476	0-up		4.500	4.000	I	7U2486	318.74
	Suspension Front	6U4161	0-up		4.500	4.000	I	1045008	274.84
	Tailgate	1512611	0-up		3.000	2.000	I	2384462	64.98

All manufacturer's names, part numbers and descriptions are used for reference purposes only. We do not imply that any part shown is the product of these manufacturers.

INDUSTRIAL SEAL KITS

MOBILE SEAL KITS



CATERPILLAR

## ARTICULATED TRUCK

## CATERPILLAR

Model	Application	Cylinder Group	Engineering Design Change Level	Cylinder Assembly Part No.	Bore	Rod	I	Ref. Number RCAT-	\$	
							M			
<b>D400D</b>	Hoist	1434850	1-up	1597616	5.500	3.500	I	2456825	248.44	
	Hoist	5U7773	0-up		5.500	3.500	I	5U7775	317.74	
	Steering	1433299	0-up	1433300	4.500	2.000	I	1857699	212.48	
	Steering	1453620	0-up	1433300	4.500	2.000	I	2409942	98.13	
	Steering	7U2910	0-up		4.500	2.000	I	6U9552	116.07	
	Suspension	1049660	0-up	1159519	4.500	3.500	I	1417975	280.71	
	Suspension	1331584	0-up	1331258	4.500	4.000	I	2463426	187.69	
	Suspension	1511179	0-up	1159519	4.500	3.500	I	2460636	258.17	
	Suspension	2U8060	2-up	1352996	4.500	4.000	I	1045008	274.84	
	Suspension	7U2476	0-up		4.500	4.000	I	7U2486	318.74	
	Suspension Rear	7U9538	0-up		4.500	2.000	I	1857699	212.48	
	Tailgate	1512611	0-up		3.000	2.000	I	2384462	64.98	
	<b>D400E</b>	Hoist	1434850	1-up	1597616	5.500	3.500	I	2456825	248.44
		Hoist	5U7773	0-up		5.500	3.500	I	5U7775	317.74
Steering		1433299	0-up	1433300	4.500	2.000	I	1857699	212.48	
Steering		1453620	0-up	1433300	4.500	2.000	I	2409942	98.13	
Steering		7U2910	0-up		4.500	2.000	I	6U9552	116.07	
Suspension		1049660	0-up	1159519	4.500	3.500	I	1417975	280.71	
Suspension		1331584	0-up	1331258	4.500	4.000	I	2463426	187.69	
Suspension		1511179	0-up	1159519	4.500	3.500	I	2460636	258.17	
Suspension		2U6060	2-up	1352996	4.500	4.000	I	1045008	274.84	
Suspension		7U2476	0-up		4.500	4.000	I	7U2486	318.74	
Suspension Rear		7U9538	0-up		4.500	2.000	I	1857699	212.48	
Tailgate		1512611	0-up		3.000	2.000	I	2384462	64.98	
<b>D550B</b>		Steering	5U6870	0-up		5.500	3.500	I	6U4788	317.46
		Suspension Tractor	5U6869	0-up		5.500	3.500	I	6U4788	317.46

INDUSTRIAL  
SEAL KITS

MOBILE  
SEAL KITS



CATERPILLAR

All manufacturer's names, part numbers and descriptions are used for reference purposes only. We do not imply that any part shown is the product of these manufacturers.

## CATERPILLAR

## ASPHALT PAVER

Model	Application	Cylinder Group	Engineering Design Change Level	Cylinder Assembly Part No.	Bore	Rod	I	Ref. Number RCAT-	\$
							M		
AP650B	Hitch	1338683	0-up		-	-	I	810653	209.45
	N/A	1330959	0-up		2.875	1.000	I	1130911	154.58
	N/A	1350218	0-up		-	-	I	1350219	114.82
	N/A	1350220	0-up		2.500	-	I	1350221	49.34
	N/A	1359444	0-up		-	-	I	1350219	114.82
	N/A	1359444	1-up		-	-	I	1795934	192.92
AP800	Tilt	1350217	0-up		-	-	I	1350219	114.82
AP800C	Hitch	1338683	0-up		-	-	I	810653	209.45
	Tilt	1070473	0-up		2.875	1.000	I	1130911	154.58
	Tilt	1330959	0-up		2.875	1.000	I	1130911	154.58
	Tilt	1350217	0-up		-	-	I	1350219	114.82
	Tilt	1350218	0-up		-	-	I	1350219	114.82
	Tilt	1350220	0-up		2.500	-	I	1350221	49.34
	Tilt	1359444	0-up		-	-	I	1350219	114.82
	Tilt	1359444	1-up		-	-	I	1795934	192.92
AP900B	Hitch	1338683	0-up		-	-	I	810653	209.45
	Tilt	1330959	0-up		2.875	1.000	I	1130911	154.58
	Tilt	1350217	0-up		-	-	I	1350219	114.82
	Tilt	1350220	0-up		2.500	-	I	1350221	49.34
	Tilt	1359444	0-up		-	-	I	1350219	114.82
	Tilt	1359444	1-up		-	-	I	1795934	192.92
AP1000	Hitch	1338683	0-up		-	-	I	810653	209.45
	N/A	1350217	0-up		-	-	I	1350219	114.82
	Tow Point	0819292	0-up		3.000	-	I	1346083	27.20
AP1000B	Hitch	1338683	0-up		-	-	I	810653	209.45
	N/A	1330959	0-up		2.875	1.000	I	1130911	154.58
	N/A	1350217	0-up		-	-	I	1350219	114.82
	N/A	1350220	0-up		2.500	-	I	1350221	49.34
	N/A	1359444	0-up		-	-	I	1350219	114.82
	N/A	1359444	1-up		-	-	I	1795934	192.92
	Throttle	1139743	0-up		-	-	I	1235251	58.86
AP1050	Hitch	1338683	0-up		-	-	I	810653	209.45
	N/A	1350217	0-up		-	-	I	1350219	114.82
	Tow Point	0819292	0-up		3.000	-	I	1346083	27.20
AP1050B	Hitch	1338683	0-up		-	-	I	810653	209.45
	N/A	1070473	0-up		2.875	1.000	I	1130911	154.58
	N/A	1139743	0-up		-	-	I	1235251	58.86
	N/A	1210412	0-up		3.000	1.500	I	1235933	62.81
	N/A	1330959	0-up		2.875	1.000	I	1130911	154.58
	N/A	1350217	0-up		-	-	I	1350219	114.82

All manufacturer's names, part numbers and descriptions are used for reference purposes only. We do not imply that any part shown is the product of these manufacturers.

INDUSTRIAL SEAL KITS

MOBILE SEAL KITS

CATERPILLAR

## ASPHALT PAVER

## CATERPILLAR

Model	Application	Cylinder Group	Engineering Design Change Level	Cylinder Assembly Part No.	Bore	Rod	I	Ref. Number RCAT-	\$	
							M			
<b>AP1055B</b>	N/A	1350220	0-up		2.500	-	I	1350221	49.34	
	N/A	1359444	0-up		-	-	I	1350219	114.82	
	N/A	1359444	1-up		-	-	I	1795934	192.92	
	Hitch	1338683	0-up		-	-	I	810653	209.45	
	N/A	1070473	0-up		2.875	1.000	I	1130911	154.58	
	N/A	1089644	0-up		-	-	I	1235733	391.71	
	N/A	1139743	0-up		-	-	I	1235251	58.86	
	N/A	1210412	0-up		3.000	1.500	I	1235933	62.81	
	N/A	1330959	0-up		2.875	1.000	I	1130911	154.58	
<b>BG210B</b>	N/A	1350217	0-up		-	-	I	1350219	114.82	
	N/A	1350220	0-up		2.500	-	I	1350221	49.34	
	Hitch	1338683	0-up		-	-	I	810653	209.45	
	Tilt	1350218	0-up		-	-	I	1350219	114.82	
	<b>BG225C</b>	Hitch	1338683	0-up		-	-	I	810653	209.45
		Tilt	1330959	0-up		2.875	1.000	I	1130911	154.58
		Tilt	1350218	0-up		-	-	I	1350219	114.82
		Tilt	1350220	0-up		2.500	-	I	1350221	49.34
		Tilt	1359444	0-up		-	-	I	1350219	114.82
Tilt		1359444	1-up		-	-	I	1795934	192.92	
<b>BG230</b>	Hitch	1338683	0-up		-	-	I	810653	209.45	
	Tilt	1070473	0-up		2.875	1.000	I	1130911	154.58	
	Tilt	1330959	0-up		2.875	1.000	I	1130911	154.58	
	Tilt	1350217	0-up		-	-	I	1350219	114.82	
	Tilt	1350218	0-up		-	-	I	1350219	114.82	
	Tilt	1350220	0-up		2.500	-	I	1350221	49.34	
	Tilt	1359444	0-up		-	-	I	1350219	114.82	
<b>BG240C</b>	Tilt	1359444	1-up		-	-	I	1795934	192.92	
	Hitch	1338683	0-up		-	-	I	810653	209.45	
	Tilt	1330959	0-up		2.875	1.000	I	1130911	154.58	
	Tilt	1350217	0-up		-	-	I	1350219	114.82	
<b>BG245B</b>	Tilt	1350220	0-up		2.500	-	I	1350221	49.34	
	Tilt	1359444	0-up		-	-	I	1350219	114.82	
	Tilt	1359444	1-up		-	-	I	1795934	192.92	
<b>BG245C</b>	Hitch	1338683	0-up		-	-	I	810653	209.45	
	Tilt	1350217	0-up		-	-	I	1350219	114.82	
<b>BG245C</b>	Hitch	1338683	0-up		-	-	I	810653	209.45	
	Tilt	1070473	0-up		2.875	1.000	I	1130911	154.58	
	Tilt	1139743	0-up		-	-	I	1235251	58.86	
	Tilt	1210412	0-up		3.000	1.500	I	1235933	62.81	
	Tilt	1330959	0-up		2.875	1.000	I	1130911	154.58	
	Tilt	1350217	0-up		-	-	I	1350219	114.82	

All manufacturer's names, part numbers and descriptions are used for reference purposes only. We do not imply that any part shown is the product of these manufacturers.

INDUSTRIAL  
SEAL KITS

MOBILE  
SEAL KITS



CATERPILLAR

Tel.: (514) 334-2220  
Fax: (514) 333-8329

**KITS 113**

[www.sealsonline.com](http://www.sealsonline.com)

## CATERPILLAR

## ASPHALT PAVER

Model	Application	Cylinder Group	Engineering Design Change Level	Cylinder Assembly Part No.	Bore	Rod	I	Ref. Number RCAT-	\$
							M		
<b>BG260B</b>	Tilt	1350220	0-up		2.500	-	I	1350221	49.34
	Tilt	1359444	0-up		-	-	I	1350219	114.82
	Tilt	1359444	1-up		-	-	I	1795934	192.92
	Hitch	1338683	0-up		-	-	I	810653	209.45
	Tilt	1350217	0-up		-	-	I	1350219	114.82
<b>BG260C</b>	Hitch	1338683	0-up		-	-	I	810653	209.45
	Tilt	1139743	0-up		-	-	I	1235251	58.86
	Tilt	1330959	0-up		2.875	1.000	I	1130911	154.58
	Tilt	1350217	0-up		-	-	I	1350219	114.82
	Tilt	1350220	0-up		2.500	-	I	1350221	49.34
	Tilt	1359444	0-up		-	-	I	1350219	114.82
	Tilt	1359444	1-up		-	-	I	1795934	192.92
<b>BG265B</b>	Hitch	1338683	0-up		-	-	I	810653	209.45
	Tilt	1350217	0-up		-	-	I	1350219	114.82
	Tilt	1350217	0-up		-	-	I	1350219	114.82
<b>BG270B</b>	Hitch	1338683	0-up		-	-	I	810653	209.45
	Tilt	1350217	0-up		-	-	I	1350219	114.82
<b>BG2455C</b>	Hitch	1338683	0-up		-	-	I	810653	209.45
	Tilt	1070473	0-up		2.875	1.000	I	1130911	154.58
	Tilt	1089644	0-up		-	-	I	1235733	391.71
	Tilt	1139743	0-up		-	-	I	1235251	58.86
	Tilt	1210412	0-up		3.000	1.500	I	1235933	62.81
	Tilt	1330959	0-up		2.875	1.000	I	1130911	154.58
	Tilt	1350217	0-up		-	-	I	1350219	114.82
	Tilt	1350220	0-up		2.500	-	I	1350221	49.34

All manufacturer's names, part numbers and descriptions are used for reference purposes only. We do not imply that any part shown is the product of these manufacturers.

INDUSTRIAL SEAL KITS

MOBILE SEAL KITS

CATERPILLAR

## BACKHOE LOADER

## CATERPILLAR

Model	Application	Cylinder Group	Engineering Design Change Level	Cylinder Assembly Part No.	Bore	Rod	I	Ref. Number RCAT-	\$
							M		
<b>416</b>	Backhoe Boom/Bucket	4T5601	1-up	4T5602	3.250	2.000	I	2408525	141.57
	Backhoe Boom/Bucket	6E0091	0-up	6E0092	3.500	2.500	I	1864327	144.29
	Backhoe Boom/Bucket	9T2751	2-up	9T6320	3.250	2.000	I	2408525	141.57
	Backhoe Boom/Bucket	9T7287	0-up	9T6241	3.500	2.500	I	1864327	144.29
	Backhoe Boom/Bucket	9T7894	0-up	9T5800	3.250	2.000	I	2408525	141.57
	Boom	6E0087	0-up	6E0088	3.250	1.875	I	2465926	99.58
	Boom	9T5219	0-up	9T5218	3.250	1.875	I	2465926	99.58
	Bucket MP, Loader	9T4006	0-up		3.000	1.500	I	2350354	104.24
	Extendable Stick	9T4809	0-up	9T4810	3.000	1.500	I	2350354	104.24
	Extendable Stick	9T7893	0-up	9T6320	3.250	2.000	I	2408525	141.57
	Lift	1070624	1-up	9T0665	3.250	1.875	I	2465926	99.58
	Load	6E0103	0-up	6E0104	3.250	1.875	I	2465926	99.58
	Load	9T0415	0-up	9T0665	3.250	1.875	I	2465926	99.58
	Stabilizer	9T7391	0-up	9T7342	4.000	2.125	I	2465929	129.86
Stabilizer	9T7392	0-up	9T7343	4.000	2.125	I	2465929	129.86	
Stabilizer LH	4T9911	0-up	4T9910	4.000	2.125	I	2465929	129.86	
Stabilizer LH	6E0097	0-up	6E0098	4.000	2.125	I	2465929	129.86	
Stabilizer LH	9T7070	0-up	4T9910	4.000	2.125	I	2465929	129.86	
Stabilizer RH	4T6880	0-up	4T6944	4.000	2.125	I	2465929	129.86	
Stabilizer RH	6E0099	0-up	6E0100	4.000	2.125	I	2465929	129.86	
Stabilizer RH	9T7069	0-up	4T6944	4.000	2.125	I	2465929	129.86	
Steering	6E5190	0-up	6E2406	3.000	1.875	I	2465927	310.39	
Steering	9T1493	1-up	9T1728	3.000	1.875	I	2465925	277.39	
Stick	4T6877	0-up	4T6893	4.000	2.125	I	2465929	129.86	
Stick	6E0089	0-up	6E0090	4.250	2.500	I	2422538	108.59	
Stick	9T2215	0-up	9T2214	3.000	1.500	I	2350354	104.24	
Stick	9T5216	0-up	9T5215	4.000	2.125	I	2465929	129.86	
Stick	9T7063	0-up	9T5215	4.000	2.125	I	2465929	129.86	
Stick	9T7291	1-up	9T6977	4.250	2.500	I	2422538	108.59	
Swing	4T6879	0-up	4T7347	4.000	2.125	I	2465929	129.86	
Swing RH	9T0529	0-up	9T0528	4.000	2.125	I	2465929	129.86	
Tilt	1070625	1-up	9T5490	3.250	1.875	I	2465926	99.58	
Tilt	6E0105	0-up	6E0106	3.250	1.875	I	2465926	99.58	
Tilt	9T4005	0-up	9T0775	3.250	1.875	I	2465926	99.58	
Tilt	9T5370	0-up	9T5490	3.250	1.875	I	2465926	99.58	
<b>416B</b>	Boom	6E0274	0-up	6E0273	4.500	2.375	I	2418924	179.54
	Bucket	1268308	0-up	1268309	3.500	2.500	I	1864327	144.29
	Bucket	6E0275	0-up	6E1495	3.500	2.500	I	1864327	144.29
	Bucket	6E1964	0-up	6E2107	3.500	2.500	I	1864327	144.29
	Bucket MP, Loader	9T4006	0-up		3.000	1.500	I	2350354	104.24
	Lift	1070624	1-up	9T0665	3.250	1.875	I	2465926	99.58
	Load	9T0415	0-up	9T0665	3.250	1.875	I	2465926	99.58
	Stabilizer	1052323	0-1	1052325	4.000	2.125	I	2465929	129.86
	Stabilizer	1052323	2-up	1052325	4.000	2.125	I	2465933	191.22
	Stabilizer	1052358	0-up	1052365	4.000	2.125	I	2465929	129.86
	Stabilizer LH	1165354	0-2		4.000	2.125	I	2465929	129.86
Stabilizer LH	1165354	3-up		4.000	2.125	I	2465933	191.22	

All manufacturer's names, part numbers and descriptions are used for reference purposes only. We do not imply that any part shown is the product of these manufacturers.

**Tel.: (905) 362-0889**  
**Fax: (888) 238-1664**

**KITS 115**

**www.sealsonline.com**

INDUSTRIAL  
SEAL KITS

MOBILE  
SEAL KITS



CATERPILLAR



## CATERPILLAR

## BACKHOE LOADER

Model	Application	Cylinder Group	Engineering Design Change Level	Cylinder Assembly Part No.	Bore	Rod	I	Ref. Number RCAT-	\$
							M		
	Stabilizer LH	1302364	0-1	1052365	4.000	2.125	I	2465929	129.86
	Stabilizer LH	1302364	2-up	1052365	4.000	2.125	I	2465933	191.22
	Stabilizer LH	6E0097	0-up	6E0098	4.000	2.125	I	2465929	129.86
	Stabilizer RH	1165353	0-2		4.000	2.125	I	2465929	129.86
	Stabilizer RH	1165353	3-up		4.000	2.125	I	2465933	191.22
	Stabilizer RH	1302365	0-1	1052325	4.000	2.125	I	2465929	129.86
	Stabilizer RH	1302365	2-up	1052325	4.000	2.125	I	2465933	191.22
	Stabilizer RH	6E0099	0-up	6E0100	4.000	2.125	I	2465929	129.86
	Steering	6E5190	0-up	6E2406	3.000	1.875	I	2465927	310.39
	Stick	1007021	3-up	6E1506	4.500	2.500	I	2310898	180.71
	Stick	1065694	0-up	1065738	4.500	2.500	I	2435798	162.95
	Stick	1097020	0-3	1065738	4.500	2.500	I	2435798	162.95
	Stick	1097020	4-up	1065738	4.500	2.500	I	2310898	180.71
	Stick	1097021	0-2	6E1506	4.500	2.500	I	2435798	162.95
	Stick	1097021	3-up	6E1506	4.500	2.500	I	2310898	180.71
Stick	6E0290	0-up	6E1506	4.500	2.500	I	2435798	162.95	
Stick	6E0404	0-up	6E1755	3.000	1.500	I	2350354	104.24	
Swing	1166861	0-up	1166857	4.000	2.000	I	2409538	71.05	
Swing	6E0288	0-up	6E1480	4.000	2.000	I	2409538	71.05	
Tilt	1070625	1-up	9T5490	3.250	1.875	I	2465926	99.58	
Tilt	9T5370	0-up	9T5490	3.250	1.875	I	2465926	99.58	
<b>416C</b>	Boom	6E0274	0-up	6E0273	4.500	2.375	I	2418924	179.54
	Bucket	1268308	0-up	1268309	3.500	2.500	I	1864327	144.29
	Bucket	6E1964	0-up	6E2107	3.500	2.500	I	1864327	144.29
	Bucket	9T4006	0-up		3.000	1.500	I	2350354	104.24
	Lift	1070624	1-up	9T0665	3.250	1.875	I	2465926	99.58
	Lift	1235087	0-up		3.500	2.000	I	2281778	104.05
	Stabilizer LH	1311846	0-up	1311850	4.000	2.125	I	2465929	129.86
	Stabilizer LH	1521806	0-up	1311850	4.000	2.125	I	2465929	129.86
	Stabilizer RH	1311647	0-up	1311851	4.000	2.125	I	2465929	129.86
	Stabilizer RH	1521796	0-up	1311851	4.000	2.125	I	2465929	129.86
	Steering	1156437	0	1160733	2.750	1.750	I	2402482	79.96
	Steering	1156437	1-up	1160733	2.750	1.750	I	2405500	145.81
	Stick	1097020	0-3	1065738	4.500	2.500	I	2435798	162.95
	Stick	1097020	4-up	1065738	4.500	2.500	I	2310898	180.71
<b>426</b>	Stick	6E0404	0-up	6E1755	3.000	1.500	I	2350354	104.24
	Stick	9T8823	0-up		2.000	1.000	I	9T0418	81.94
	Swing	1166861	0-up	1166857	4.000	2.000	I	2409538	71.05
	Tilt	1070625	1-up	9T5490	3.250	1.875	I	2465926	99.58
	Tilt	1235091	0-up		3.000	2.000	I	2384462	64.98
	Backhoe Boom/Bucket	4T5601	1-up	4T5602	3.250	2.000	I	2408525	141.57
	Backhoe Boom/Bucket	6E0091	0-up	6E0092	3.500	2.500	I	1864327	144.29
	Backhoe Boom/Bucket	9T2751	2-up	9T6320	3.250	2.000	I	2408525	141.57
	Backhoe Boom/Bucket	9T7287	0-up	9T6241	3.500	2.500	I	1864327	144.29
	Backhoe Boom/Bucket	9T7894	0-up	9T5800	3.250	2.000	I	2408525	141.57
Boom	4T6969	0-up	4T7300	3.500	2.125	I	1864406	112.89	

All manufacturer's names, part numbers and descriptions are used for reference purposes only. We do not imply that any part shown is the product of these manufacturers.

INDUSTRIAL SEAL KITS

MOBILE SEAL KITS



CATERPILLAR

## BACKHOE LOADER

## CATERPILLAR

Model	Application	Cylinder Group	Engineering Design Change Level	Cylinder Assembly Part No.	Bore	Rod	I	Ref. Number RCAT-	\$
							M		
	Boom	6E0109	0-up	6E0110	3.500	2.000	I	2281778	104.05
	Boom	9T5222	0-up	9T5221	3.500	2.000	I	2281778	104.05
	Bucket MP, Loader	9T4006	0-up		3.000	1.500	I	2350354	104.24
	Extendable Stick	9T4809	0-up	9T4810	3.000	1.500	I	2350354	104.24
	Extendable Stick	9T7893	0-up	9T6320	3.250	2.000	I	2408525	141.57
	Lift	1070624	1-up	9T0665	3.250	1.875	I	2465926	99.58
	Load	6E0103	0-up	6E0104	3.250	1.875	I	2465926	99.58
	Load	9T0415	0-up	9T0665	3.250	1.875	I	2465926	99.58
	Stabilizer	9T7391	0-up	9T7342	4.000	2.125	I	2465929	129.86
	Stabilizer	9T7392	0-up	9T7343	4.000	2.125	I	2465929	129.86
	Stabilizer LH	4T9911	0-up	4T9910	4.000	2.125	I	2465929	129.86
	Stabilizer LH	6E0097	0-up	6E0098	4.000	2.125	I	2465929	129.86
	Stabilizer LH	9T7070	0-up	4T9910	4.000	2.125	I	2465929	129.86
	Stabilizer RH	4T6880	0-up	4T6944	4.000	2.125	I	2465929	129.86
	Stabilizer RH	6E0099	0-up	6E0100	4.000	2.125	I	2465929	129.86
	Stabilizer RH	9T7069	0-up	4T6944	4.000	2.125	I	2465929	129.86
	Steering	6E5190	0-up	6E2406	3.000	1.875	I	2465927	310.39
	Steering	9T1493	1-up	9T1728	3.000	1.875	I	2465925	277.39
	Stick	4T6968	0-up	4T7416	4.000	2.125	I	2465929	129.86
	Stick	6E0111	0-up	6E0112	4.250	2.500	I	2422538	108.59
	Stick	9T2215	0-up	9T2214	3.000	1.500	I	2350354	104.24
	Stick	9T7066	0-up	9T5217	4.000	2.125	I	2465929	129.86
	Stick	9T7289	1-up	9T6233	4.250	2.500	I	2422538	108.59
	Stick Backhoe	9T5220	0-up	9T5217	4.000	2.125	I	2465929	129.86
	Swing	4T6879	0-up	4T7347	4.000	2.125	I	2465929	129.86
	Swing RH	9T0529	0-up	9T0528	4.000	2.125	I	2465929	129.86
	Tilt	6E0113	0-up	6E0114	3.500	2.000	I	2281778	104.05
	Tilt	9T0735	0-up	9T0770	3.500	2.000	I	2281778	104.05
	Tilt	9T5371	0-up	9T5491	3.500	2.000	I	2281778	104.05
<b>426B</b>	Boom	6E1948	0-4	6E1952	5.000	2.500	I	2430384	193.35
	Boom	6E1948	5-up	6E1952	5.000	2.500	I	2275347	90.43
	Bucket	1268316	0-up	1268317	3.750	2.750	I	1945603	117.14
	Bucket	6E1809	0-up	6E1811	3.750	2.750	I	1945603	117.14
	Bucket	6E3692	0-up	6E3710	3.750	2.750	I	1945603	117.14
	Bucket MP, Loader	9T4006	0-up		3.000	1.500	I	2350354	104.24
	Lift	1070624	1-up	9T0665	3.250	1.875	I	2465926	99.58
	Load	9T0415	0-up	9T0665	3.250	1.875	I	2465926	99.58
	Stabilizer	1052323	0-1	1052325	4.000	2.125	I	2465929	129.86
		1052323	2-up	1052325	4.000	2.125	I	2465933	191.22
	Stabilizer	1052358	0-up	1052365	4.000	2.125	I	2465929	129.86
	Stabilizer LH	1165354	0-2		4.000	2.125	I	2465929	129.86
	Stabilizer LH	1165354	3-up		4.000	2.125	I	2465933	191.22
	Stabilizer LH	1302364	0-1	1052365	4.000	2.125	I	2465929	129.86
	Stabilizer LH	1302364	2-up	1052365	4.000	2.125	I	2465933	191.22
	Stabilizer LH	6E0097	0-up	6E0098	4.000	2.125	I	2465929	129.86
	Stabilizer RH	1165353	0-2		4.000	2.125	I	2465929	129.86
	Stabilizer RH	1165353	3-up		4.000	2.125	I	2465933	191.22

All manufacturer's names, part numbers and descriptions are used for reference purposes only. We do not imply that any part shown is the product of these manufacturers.

**Tel.: (204) 783-9617**  
**Fax: (204) 783-6091**

**KITS 117**

**www.sealsonline.com**

INDUSTRIAL  
SEAL KITS

MOBILE  
SEAL KITS



CATERPILLAR

## CATERPILLAR

## BACKHOE LOADER

Model	Application	Cylinder Group	Engineering Design Change Level	Cylinder Assembly Part No.	Bore	Rod	I	Ref. Number RCAT-	\$
							M		
426C	Stabilizer RH	1302365	0-1	1052325	4.000	2.125	I	2465929	129.86
	Stabilizer RH	1302365	2-up	1052325	4.000	2.125	I	2465933	191.22
	Stabilizer RH	6E0099	0-up	6E0100	4.000	2.125	I	2465929	129.86
	Steering	6E5190	0-up	6E2406	3.000	1.875	I	2465927	310.39
	Stick	6E1935	0-up	6E1936	5.000	2.750	I	2440958	184.03
	Stick	6E3662	0-up	6E0102	3.000	1.500	I	2350354	104.24
	Swing	1166861	0-up	1166857	4.000	2.000	I	2409538	71.05
	Swing	6E0288	0-up	6E1480	4.000	2.000	I	2409538	71.05
	Tilt	6E0113	0-up	6E0114	3.500	2.000	I	2281778	104.05
	Boom	6E1948	0-4	6E1952	5.000	2.500	I	2430384	193.35
	Boom	6E1948	5-up	6E1952	5.000	2.500	I	2275347	90.43
	Bucket	1268316	0-up	1268317	3.750	2.750	I	1945603	117.14
	Bucket	6E3692	0-up	6E3710	3.750	2.750	I	1945603	117.14
	Bucket	9T4006	0-up		3.000	1.500	I	2350354	104.24
	Lift	1108688	0-up	1108689	3.500	2.000	I	2281778	104.05
	Lift	1216764	0-up	1216765	3.500	2.000	I	2281778	104.05
Lift	1235087	0-up		3.500	2.000	I	2281778	104.05	
Stabilizer LH	1311846	0-up	1311850	4.000	2.125	I	2465929	129.86	
Stabilizer LH	1521806	0-up	1311850	4.000	2.125	I	2465929	129.86	
Stabilizer RH	1311647	0-up	1311851	4.000	2.125	I	2465929	129.86	
Stabilizer RH	1521796	0-up	1311851	4.000	2.125	I	2465929	129.86	
Steering	1156437	0	1160733	2.750	1.750	I	2402482	79.96	
Steering	1156437	1-up	1160733	2.750	1.750	I	2405500	145.81	
428	Stick	1535735	0-up	1545502	3.000	1.500	I	2350354	104.24
	Stick	6E1935	0-up	6E1936	5.000	2.750	I	2440958	184.03
	Stick	6E3662	0-up	6E0102	3.000	1.500	I	2350354	104.24
	Stick	9T8823	0-up		2.000	1.000	I	9T0418	81.94
	Swing	1166861	0-up	1166857	4.000	2.000	I	2409538	71.05
	Tilt	1235091	0-up		3.000	2.000	I	2384462	64.98
	Backhoe Boom/Bucket	4T5601	1-up	4T5602	3.250	2.000	I	2408525	141.57
	Backhoe Boom/Bucket	6E0091	0-up	6E0092	3.500	2.500	I	1864327	144.29
	Backhoe Boom/Bucket	9T2751	2-up	9T6320	3.250	2.000	I	2408525	141.57
	Backhoe Boom/Bucket	9T7287	0-up	9T6241	3.500	2.500	I	1864327	144.29
	Backhoe Boom/Bucket	9T7894	0-up	9T5800	3.250	2.000	I	2408525	141.57
	Boom	6E0087	0-up	6E0088	3.250	1.875	I	2465926	99.58
	Boom	9T5219	0-up	9T5218	3.250	1.875	I	2465926	99.58
	Bucket MP, Loader	9T4006	0-up		3.000	1.500	I	2350354	104.24
	Extendable Stick	9T4809	0-up	9T4810	3.000	1.500	I	2350354	104.24
	Extendable Stick	9T7893	0-up	9T6320	3.250	2.000	I	2408525	141.57
Lift	1070624	1-up	9T0665	3.250	1.875	I	2465926	99.58	
Load	6E0103	0-up	6E0104	3.250	1.875	I	2465926	99.58	
Load	9T0415	0-up	9T0665	3.250	1.875	I	2465926	99.58	
Stabilizer	6E0119	0-2	6E0120	2.750	1.750	I	2402482	79.96	
Stabilizer	6E0119	3-up	6E0120	2.750	1.750	I	2342595	152.34	
Stabilizer	9T0527	0-up	9T0810	2.750	1.750	I	2402482	79.96	
Stabilizer	9T9709	0-up	9T9710	2.750	1.750	I	2402482	79.96	
Steering	9T1493	1-up	9T1728	3.000	1.875	I	2465925	277.39	

All manufacturer's names, part numbers and descriptions are used for reference purposes only. We do not imply that any part shown is the product of these manufacturers.

INDUSTRIAL SEAL KITS

MOBILE SEAL KITS



CATERPILLAR

## BACKHOE LOADER

## CATERPILLAR

Model	Application	Cylinder Group	Engineering Design Change Level	Cylinder Assembly Part No.	Bore	Rod	I	Ref. Number RCAT-	\$
							M		
	Stick	4T6877	0-up	4T6893	4.000	2.125	I	2465929	129.86
	Stick	6E0089	0-up	6E0090	4.250	2.500	I	2422538	108.59
	Stick	9T2215	0-up	9T2214	3.000	1.500	I	2350354	104.24
	Stick	9T5216	0-up	9T5215	4.000	2.125	I	2465929	129.86
	Stick	9T7063	0-up	9T5215	4.000	2.125	I	2465929	129.86
	Stick	9T7291	1-up	9T6977	4.250	2.500	I	2422538	108.59
	Swing LH	9T0421	0-up	9T0512	4.000	2.125	I	2465929	129.86
	Swing RH	9T0420	0-up	9T0511	4.000	2.125	I	2465929	129.86
	Tilt	6E0113	0-up	6E0114	3.500	2.000	I	2281778	104.05
	Tilt	9T0735	0-up	9T0770	3.500	2.000	I	2281778	104.05
	Tilt	9T5371	0-up	9T5491	3.500	2.000	I	2281778	104.05
<b>428B</b>	Boom	6E0274	0-up	6E0273	4.500	2.375	I	2418924	179.54
	Bucket	1268308	0-up	1268309	3.500	2.500	I	1864327	144.29
	Bucket	6E0275	0-up	6E1495	3.500	2.500	I	1864327	144.29
	Bucket	6E1964	0-up	6E2107	3.500	2.500	I	1864327	144.29
	Bucket	6E2421	0-up	6E2496	3.750	2.750	I	1945603	117.14
	Bucket MP, Loader	9T4006	0-up		3.000	1.500	I	2350354	104.24
	Lift	1070624	1-up	9T0665	3.250	1.875	I	2465926	99.58
	Load	9T0415	0-up	9T0665	3.250	1.875	I	2465926	99.58
	Sideshift	1166858	0-up	1166859	4.000	2.000	I	2409538	71.05
	Stabilizer	1266950	0	1266951	2.750	1.750	I	2402482	79.96
	Stabilizer	1266950	1-2	1266951	2.750	1.750	I	2342595	152.34
	Stabilizer	6E3483	0-3	6E3484	2.750	1.750	I	2402482	79.96
		Stabilizer	6E3483	4-up	6E3484	2.750	1.750	I	2342595
	Steering	6E5190	0-up	6E2406	3.000	1.875	I	2465927	310.39
	Stick	1097021	0-2	6E1506	4.500	2.500	I	2435798	162.95
	Stick	1097021	3-up	6E1506	4.500	2.500	I	2310898	180.71
	Stick	6E0290	0-up	6E1506	4.500	2.500	I	2435798	162.95
	Stick	6E0404	0-up	6E1755	3.000	1.500	I	2350354	104.24
	Swing	1166861	0-up	1166857	4.000	2.000	I	2409538	71.05
	Swing	6E0288	0-up	6E1480	4.000	2.000	I	2409538	71.05
	Swing LH	6E1864	0-up	6E1863	4.000	2.000	I	2409538	71.05
	Tilt	6E0113	0-up	6E0114	3.500	2.000	I	2281778	104.05
<b>428C</b>	Boom	6E0274	0-up	6E0273	4.500	2.375	I	2418924	179.54
	Bucket	1268308	0-up	1268309	3.500	2.500	I	1864327	144.29
	Bucket	1268312	0-up	1268313	4.000	2.750	I	1939270	175.70
	Bucket	6E0275	0-up	6E1495	3.500	2.500	I	1864327	144.29
	Bucket	6E1964	0-up	6E2107	3.500	2.500	I	1864327	144.29
	Bucket	9T4006	0-up		3.000	1.500	I	2350354	104.24
	Lift	1070624	1-up	9T0665	3.250	1.875	I	2465926	99.58
	Lift	1235087	0-up		3.500	2.000	I	2281778	104.05
	Sideshift	1166858	0-up	1166859	4.000	2.000	I	2409538	71.05
	Stabilizer	1266950	0	1266951	2.750	1.750	I	2402482	79.96
	Stabilizer	1266950	1-2	1266951	2.750	1.750	I	2342595	152.34
	Steering	1156437	0	1160733	2.750	1.750	I	2402482	79.96

All manufacturer's names, part numbers and descriptions are used for reference purposes only. We do not imply that any part shown is the product of these manufacturers.

Tel.: (780) 414-1871  
Fax: (780) 487-5419

**KITS 119**

[www.sealsonline.com](http://www.sealsonline.com)

INDUSTRIAL  
SEAL KITS

MOBILE  
SEAL KITS



CATERPILLAR

## CATERPILLAR

## BACKHOE LOADER

Model	Application	Cylinder Group	Engineering Design Change Level	Cylinder Assembly Part No.	Bore	Rod	I	Ref. Number RCAT-	\$
							M		
	Steering	1156437	1-up	1160733	2.750	1.750	I	2405500	145.81
	Stick	1097021	0-2	6E1506	4.500	2.500	I	2435798	162.95
	Stick	1097021	3-up	6E1506	4.500	2.500	I	2310898	180.71
	Stick	6E0404	0-up	6E1755	3.000	1.500	I	2350354	104.24
	Stick	9T8823	0-up		2.000	1.000	I	9T0418	81.94
	Swing	1166861	0-up	1166857	4.000	2.000	I	2409538	71.05
	Tilt	1235091	0-up		3.000	2.000	I	2384462	64.98
436	Boom	6E0109	0-up	6E0110	3.500	2.000	I	2281778	104.05
	Boom	9T5222	0-up	9T5221	3.500	2.000	I	2281778	104.05
	Bucket MP, Loader	9T4006	0-up		3.000	1.500	I	2350354	104.24
	Extendable Stick	9T4809	0-up	9T4810	3.000	1.500	I	2350354	104.24
	Lift	1070624	1-up	9T0665	3.250	1.875	I	2465926	99.58
	Load	6E0103	0-up	6E0104	3.250	1.875	I	2465926	99.58
	Load	9T0415	0-up	9T0665	3.250	1.875	I	2465926	99.58
	Stabilizer	9T7391	0-up	9T7342	4.000	2.125	I	2465929	129.86
	Stabilizer	9T7392	0-up	9T7343	4.000	2.125	I	2465929	129.86
	Stabilizer LH	6E0097	0-up	6E0098	4.000	2.125	I	2465929	129.86
	Stabilizer LH	9T7070	0-up	4T9910	4.000	2.125	I	2465929	129.86
	Stabilizer RH	6E0099	0-up	6E0100	4.000	2.125	I	2465929	129.86
	Stabilizer RH	9T7069	0-up	4T6944	4.000	2.125	I	2465929	129.86
	Steering	6E5190	0-up	6E2406	3.000	1.875	I	2465927	310.39
	Steering	9T1493	1-up	9T1728	3.000	1.875	I	2465925	277.39
	Swing	4T6879	0-up	4T7347	4.000	2.125	I	2465929	129.86
	Swing RH	9T0529	0-up	9T0528	4.000	2.125	I	2465929	129.86
	Tilt	6E0113	0-up	6E0114	3.500	2.000	I	2281778	104.05
	Tilt	9T5371	0-up	9T5491	3.500	2.000	I	2281778	104.05
436B	Boom	6E1948	0-4	6E1952	5.000	2.500	I	2430384	193.35
	Boom	6E1948	5-up	6E1952	5.000	2.500	I	2275347	90.43
	Bucket	1268316	0-up	1268317	3.750	2.750	I	1945603	117.14
	Bucket	6E1809	0-up	6E1811	3.750	2.750	I	1945603	117.14
	Bucket	6E3692	0-up	6E3710	3.750	2.750	I	1945603	117.14
	Bucket MP, Loader	9T4006	0-up		3.000	1.500	I	2350354	104.24
	Lift	1070624	1-up	9T0665	3.250	1.875	I	2465926	99.58
	Load	9T0415	0-up	9T0665	3.250	1.875	I	2465926	99.58
	Stabilizer	1052323	0-1	1052325	4.000	2.125	I	2465929	129.86
	Stabilizer	1052323	2-up	1052325	4.000	2.125	I	2465933	191.22
	Stabilizer	1052358	0-up	1052365	4.000	2.125	I	2465929	129.86
	Stabilizer LH	1165354	0-2		4.000	2.125	I	2465929	129.86
	Stabilizer LH	1165354	3-up		4.000	2.125	I	2465933	191.22
	Stabilizer LH	1302364	0-1	1052365	4.000	2.125	I	2465929	129.86
	Stabilizer LH	1302364	2-up	1052365	4.000	2.125	I	2465933	191.22
	Stabilizer LH	6E0097	0-up	6E0098	4.000	2.125	I	2465929	129.86

All manufacturer's names, part numbers and descriptions are used for reference purposes only. We do not imply that any part shown is the product of these manufacturers.

INDUSTRIAL SEAL KITS

MOBILE SEAL KITS



CATERPILLAR

## BACKHOE LOADER

## CATERPILLAR

Model	Application	Cylinder Group	Engineering Design Change Level	Cylinder Assembly Part No.	Bore	Rod	I	Ref. Number RCAT-	\$
							M		
	Stabilizer RH	1165353	0-2		4.000	2.125	I	2465929	129.86
	Stabilizer RH	1165353	3-up		4.000	2.125	I	2465933	191.22
	Stabilizer RH	1302365	0-1	1052325	4.000	2.125	I	2465929	129.86
	Stabilizer RH	1302365	2-up	1052325	4.000	2.125	I	2465933	191.22
	Stabilizer RH	6E0099	0-up	6E0100	4.000	2.125	I	2465929	129.86
	Steering	6E5190	0-up	6E2406	3.000	1.875	I	2465927	310.39
	Stick	6E1935	0-up	6E1936	5.000	2.750	I	2440958	184.03
	Stick	6E3662	0-up	6E0102	3.000	1.500	I	2350354	104.24
	Swing	1166861	0-up	1166857	4.000	2.000	I	2409538	71.05
	Swing	6E0288	0-up	6E1480	4.000	2.000	I	2409538	71.05
	Tilt	6E0113	0-up	6E0114	3.500	2.000	I	2281778	104.05
436C	Boom	1118211	0-up	1118212	5.250	2.875	I	2350970	178.67
	Boom	6E1948	0-4	6E1952	5.000	2.500	I	2430384	193.35
	Boom	6E1948	5-up	6E1952	5.000	2.500	I	2275347	90.43
	Bucket	1118217	0-up	1118216	3.750	2.750	I	1945603	117.14
	Bucket	1144828	0-up	1144307	3.750	2.750	I	1945603	117.14
	Bucket	1268316	0-up	1268317	3.750	2.750	I	1945603	117.14
	Bucket	6E3692	0-up	6E3710	3.750	2.750	I	1945603	117.14
	Bucket	9T4006	0-up		3.000	1.500	I	2350354	104.24
	Bucket	9T4760	0-up		3.750	2.750	I	1945603	117.14
	Bucket	9T6305	0-up	9T6330	3.750	2.750	I	1945603	117.14
	Extendable Stick	6E5383	0-up	6E5382	3.000	1.750	I	2342594	136.56
	Lift	1108688	0-up	1108689	3.500	2.000	I	2281778	104.05
		Lift	1117712	0-up	1089328	3.750	2.250	I	2350969
	Lift	1216764	0-up	1216765	3.500	2.000	I	2281778	104.05
	Lift	1235087	0-up		3.500	2.000	I	2281778	104.05
	Lift	1257895	0-up	1257896	3.750	2.250	I	2350969	160.83
	Lift	9T2997	0-up	9T2827	3.750	2.000	I	2409518	105.70
	Stabilizer LH	1311846	0-up	1311850	4.000	2.125	I	2465929	129.86
	Stabilizer LH	1329701	0-1	1329702	4.000	2.125	I	2465929	129.86
	Stabilizer LH	1329701	2-up	1329702	4.000	2.125	I	2465933	191.22
	Stabilizer LH	1521806	0-up	1311850	4.000	2.125	I	2465929	129.86
	Stabilizer LH	9T2994	0-up	9T3178	4.000	2.125	I	2465929	129.86
	Stabilizer RH	1311847	0-up	1311851	4.000	2.125	I	2465929	129.86
	Stabilizer RH	1329700	0-2	1329703	4.000	2.125	I	2465929	129.86
	Stabilizer RH	1329700	3-up	1329703	4.000	2.125	I	2465933	191.22
	Stabilizer RH	1521796	0-up	1311851	4.000	2.125	I	2465929	129.86
	Stabilizer RH	9T2993	0-up	9T3170	4.000	2.125	I	2465929	129.86
	Steering	1156437	0	1160733	2.750	1.750	I	2402482	79.96
	Steering	1156437	1-up	1160733	2.750	1.750	I	2405500	145.81
	Steering	9T1834	0-up	9T2963	3.250	2.250	I	9X2031	260.81
	Stick	1118213	0-up	1118215	5.250	3.000	I	2281776	104.48
	Stick	1239707	0-up	1239708	3.000	1.750	I	2342594	136.56
	Stick	1535735	0-up	1545502	3.000	1.500	I	2350354	104.24
	Stick	6E1935	0-up	6E1936	5.000	2.750	I	2440958	184.03
	Stick	6E3062	0-up	6E2991	5.250	3.000	I	2281776	104.48
	Stick	6E3314	0-up	6E3315	5.250	3.000	I	2281776	104.48

All manufacturer's names, part numbers and descriptions are used for reference purposes only. We do not imply that any part shown is the product of these manufacturers.

Tel.: (403) 279-1871  
Fax: (403) 279-1821

**KITS 121**

[www.sealsonline.com](http://www.sealsonline.com)

INDUSTRIAL  
SEAL KITS

MOBILE  
SEAL KITS



CATERPILLAR

## CATERPILLAR

## BACKHOE LOADER

Model	Application	Cylinder Group	Engineering Design Change Level	Cylinder Assembly Part No.	Bore	Rod	I	Ref. Number RCAT-	\$
							M		
438	Stick	6E3662	0-up	6E0102	3.000	1.500	I	2350354	104.24
	Stick	9T8823	0-up		2.000	1.000	I	9T0418	81.94
	Stick	9T9186	0-up	9T3585	5.250	3.000	I	2281776	104.48
	Swing	1121765	0-up	1121766	4.000	2.000	I	2409538	71.05
	Swing	1166861	0-up	1166857	4.000	2.000	I	2409538	71.05
	Swing	6E5219	0-up	6E5050	4.000	2.000	I	2409538	71.05
	Swing LH	9T1701	0-3	9T3141	4.000	2.125	I	2465929	129.86
	Swing LH	9T1701	4-up	9T3141	4.000	2.125	I	2465931	166.09
	Swing RH	9T1230	0-3	9T2880	4.000	2.125	I	2465929	129.86
	Swing RH	9T1230	4-up	9T2880	4.000	2.125	I	2465931	166.09
	Tilt	1007844	0-up	9T3160	4.000	2.000	I	2339205	57.79
	Tilt	1235091	0-up		3.000	2.000	I	2384462	64.98
	Tilt	9T2995	0-up	9T3160	4.000	2.000	I	2339205	57.79
	Backhoe Boom/Bucket	9T2751	2-up	9T6320	3.250	2.000	I	2408525	141.57
	Boom	6E0087	0-up	6E0088	3.250	1.875	I	2465926	99.58
	Boom	9T5219	0-up	9T5218	3.250	1.875	I	2465926	99.58
	Bucket MP, Loader	9T4006	0-up		3.000	1.500	I	2350354	104.24
	Extendable Stick	9T4809	0-up	9T4810	3.000	1.500	I	2350354	104.24
	Extendable Stick	9T7893	0-up	9T6320	3.250	2.000	I	2408525	141.57
	Lift	1070624	1-up	9T0665	3.250	1.875	I	2465926	99.58
Load	6E0103	0-up	6E0104	3.250	1.875	I	2465926	99.58	
Load	9T0415	0-up	9T0665	3.250	1.875	I	2465926	99.58	
Stabilizer	6E0119	0-2	6E0120	2.750	1.750	I	2402482	79.96	
438B	Stabilizer	6E0119	3-up	6E0120	2.750	1.750	I	2342595	152.34
	Stabilizer	9T0527	0-up	9T0810	2.750	1.750	I	2402482	79.96
	Stabilizer	9T9709	0-up	9T9710	2.750	1.750	I	2402482	79.96
	Steering	9T1493	1-up	9T1728	3.000	1.875	I	2465925	277.39
	Stick	6E0089	0-up	6E0090	4.250	2.500	I	2422538	108.59
	Stick	9T2215	0-up	9T2214	3.000	1.500	I	2350354	104.24
	Stick	9T7291	1-up	9T6977	4.250	2.500	I	2422538	108.59
	Swing LH	9T0421	0-up	9T0512	4.000	2.125	I	2465929	129.86
	Swing RH	9T0420	0-up	9T0511	4.000	2.125	I	2465929	129.86
	Tilt	6E0113	0-up	6E0114	3.500	2.000	I	2281778	104.05
	Tilt	9T5371	0-up	9T5491	3.500	2.000	I	2281778	104.05
	Boom	6E0274	0-up	6E0273	4.500	2.375	I	2418924	179.54
Bucket	1268308	0-up	1268309	3.500	2.500	I	1864327	144.29	
Bucket	1268312	0-up	1268313	4.000	2.750	I	1939270	175.70	
Bucket	6E0275	0-up	6E1495	3.500	2.500	I	1864327	144.29	
Bucket	6E1964	0-up	6E2107	3.500	2.500	I	1864327	144.29	
Bucket	6E2421	0-up	6E2496	3.750	2.750	I	1945603	117.14	
Bucket	6E3693	0-up	6E3705	4.000	2.750	I	1939270	175.70	
Bucket MP, Loader	9T4006	0-up		3.000	1.500	I	2350354	104.24	
Lift	1070624	1-up	9T0665	3.250	1.875	I	2465926	99.58	
Load	9T0415	0-up	9T0665	3.250	1.875	I	2465926	99.58	
Sideshift	1166858	0-up	1166859	4.000	2.000	I	2409538	71.05	
Stabilizer	1266950	0	1266951	2.750	1.750	I	2402482	79.96	

All manufacturer's names, part numbers and descriptions are used for reference purposes only. We do not imply that any part shown is the product of these manufacturers.

INDUSTRIAL SEAL KITS

MOBILE SEAL KITS



CATERPILLAR

## BACKHOE LOADER

## CATERPILLAR

Model	Application	Cylinder Group	Engineering Design Change Level	Cylinder Assembly Part No.	Bore	Rod	I	Ref. Number RCAT-	\$
							M		
	Stabilizer	1266950	1-2	1266951	2.750	1.750	I	2342595	152.34
	Stabilizer	6E3483	0-3	6E3484	2.750	1.750	I	2402482	79.96
	Stabilizer	6E3483	4-up	6E3484	2.750	1.750	I	2342595	152.34
	Stick	1097021	0-2	6E1506	4.500	2.500	I	2435798	162.95
	Stick	1097021	3-up	6E1506	4.500	2.500	I	2310898	180.71
	Stick	6E0290	0-up	6E1506	4.500	2.500	I	2435798	162.95
	Stick	6E0404	0-up	6E1755	3.000	1.500	I	2350354	104.24
	Swing	1166861	0-up	1166857	4.000	2.000	I	2409538	71.05
	Swing	6E0288	0-up	6E1480	4.000	2.000	I	2409538	71.05
	Swing LH	6E1864	0-up	6E1863	4.000	2.000	I	2409538	71.05
	Tilt	6E0113	0-up	6E0114	3.500	2.000	I	2281778	104.05
<b>438C</b>	Boom	6E0274	0-up	6E0273	4.500	2.375	I	2418924	179.54
	Bucket	1268312	0-up	1268313	4.000	2.750	I	1939270	175.70
	Bucket	6E1964	0-up	6E2107	3.500	2.500	I	1864327	144.29
	Bucket	6E2421	0-up	6E2496	3.750	2.750	I	1945603	117.14
	Bucket	6E3693	0-up	6E3705	4.000	2.750	I	1939270	175.70
	Bucket	9T4006	0-up		3.000	1.500	I	2350354	104.24
	Lift	1070624	1-up	9T0665	3.250	1.875	I	2465926	99.58
	Lift	1235087	0-up		3.500	2.000	I	2281778	104.05
	Sideshift	1166858	0-up	1166859	4.000	2.000	I	2409538	71.05
	Stabilizer	1266950	0	1266951	2.750	1.750	I	2402482	79.96
	Stick	1097021	0-2	6E1506	4.500	2.500	I	2435798	162.95
	Stick	1097021	3-up	6E1506	4.500	2.500	I	2310898	180.71
	Stick	6E0404	0-up	6E1755	3.000	1.500	I	2350354	104.24
	Stick	9T8823	0-up		2.000	1.000	I	9T0418	81.94
	Swing	1166861	0-up	1166857	4.000	2.000	I	2409538	71.05
	Tilt	1235091	0-up		3.000	2.000	I	2384462	64.98
<b>446</b>	Boom	1118211	0-up	1118212	5.250	2.875	I	2350970	178.67
	Bucket	1144828	0-up	1144307	3.750	2.750	I	1945603	117.14
	Bucket	9T4760	0-up		3.750	2.750	I	1945603	117.14
	Extendable Stick	6E5383	0-up	6E5382	3.000	1.750	I	2342594	136.56
	Extendable Stick	9T2107	0-up	9T3103	3.000	1.750	I	2275350	29.94
	Lift	1117712	0-up	1089328	3.750	2.250	I	2350969	160.83
	Lift	1257895	0-up	1257896	3.750	2.250	I	2350969	160.83
	Lift	9T2997	0-up	9T2827	3.750	2.000	I	2409518	105.70
	Stabilizer LH	1329701	0-1	1329702	4.000	2.125	I	2465929	129.86
	Stabilizer LH	1329701	2-up	1329702	4.000	2.125	I	2465933	191.22
	Stabilizer LH	9T2994	0-up	9T3178	4.000	2.125	I	2465929	129.86
	Stabilizer RH	1329700	0-2	1329703	4.000	2.125	I	2465929	129.86
	Stabilizer RH	1329700	3-up	1329703	4.000	2.125	I	2465933	191.22
	Stabilizer RH	9T2993	0-up	9T3170	4.000	2.125	I	2465929	129.86
	Steering	9T1834	0-up	9T2963	3.250	2.250	I	9X2031	260.81
	Stick	1118213	0-up	1118215	5.250	3.000	I	2281776	104.48
	Stick	6E3062	0-up	6E2991	5.250	3.000	I	2281776	104.48
	Stick	6E3314	0-up	6E3315	5.250	3.000	I	2281776	104.48

All manufacturer's names, part numbers and descriptions are used for reference purposes only. We do not imply that any part shown is the product of these manufacturers.

**Tel.: (604) 278-6808**  
**Fax: (604) 278-6180**

**KITS 123**

**www.sealsonline.com**

INDUSTRIAL  
SEAL KITS

MOBILE  
SEAL KITS



CATERPILLAR



## CATERPILLAR

## BACKHOE LOADER

Model	Application	Cylinder Group	Engineering Design Change Level	Cylinder Assembly Part No.	Bore	Rod	I	Ref. Number RCAT-	\$
							M		
	Stick	9T9186	0-up	9T3585	5.250	3.000	I	2281776	104.48
	Swing	1121765	0-up	1121766	4.000	2.000	I	2409538	71.05
	Swing	6E5219	0-up	6E5050	4.000	2.000	I	2409538	71.05
	Swing LH	9T1701	0-3	9T3141	4.000	2.125	I	2465929	129.86
	Swing LH	9T1701	4-up	9T3141	4.000	2.125	I	2465931	166.09
	Swing RH	9T1230	0-3	9T2880	4.000	2.125	I	2465929	129.86
	Swing RH	9T1230	4-up	9T2880	4.000	2.125	I	2465931	166.09
	Tilt	1007844	0-up	9T3160	4.000	2.000	I	2339205	57.79
	Tilt	9T2995	0-up	9T3160	4.000	2.000	I	2339205	57.79
<b>446B</b>	Boom	1118211	0-up	1118212	5.250	2.875	I	2350970	178.67
	Bucket	1118217	0-up	1118216	3.750	2.750	I	1945603	117.14
	Bucket	1144828	0-up	1144307	3.750	2.750	I	1945603	117.14
	Bucket	9T4760	0-up		3.750	2.750	I	1945603	117.14
	Bucket	9T6305	0-up	9T6330	3.750	2.750	I	1945603	117.14
	Extendable Stick	6E5383	0-up	6E5382	3.000	1.750	I	2342594	136.56
	Lift	1117712	0-up	1089328	3.750	2.250	I	2350969	160.83
	Lift	1257895	0-up	1257896	3.750	2.250	I	2350969	160.83
	Lift	9T2997	0-up	9T2827	3.750	2.000	I	2409518	105.70
	Stabilizer LH	1329701	0-1	1329702	4.000	2.125	I	2465929	129.86
	Stabilizer LH	1329701	2-up	1329702	4.000	2.125	I	2465933	191.22
	Stabilizer LH	9T2994	0-up	9T3178	4.000	2.125	I	2465929	129.86
	Stabilizer RH	1329700	0-2	1329703	4.000	2.125	I	2465929	129.86
	Stabilizer RH	1329700	3-up	1329703	4.000	2.125	I	2465933	191.22
	Stabilizer RH	9T2993	0-up	9T3170	4.000	2.125	I	2465929	129.86
	Steering	9T1834	0-up	9T2963	3.250	2.250	I	9X2031	260.81
	Stick	1118213	0-up	1118215	5.250	3.000	I	2281776	104.48
	Stick	1239707	0-up	1239708	3.000	1.750	I	2342594	136.56
	Stick	6E3062	0-up	6E2991	5.250	3.000	I	2281776	104.48
	Stick	6E3314	0-up	6E3315	5.250	3.000	I	2281776	104.48
	Stick	9T9186	0-up	9T3585	5.250	3.000	I	2281776	104.48
	Swing	1121765	0-up	1121766	4.000	2.000	I	2409538	71.05
	Swing	6E5219	0-up	6E5050	4.000	2.000	I	2409538	71.05
	Swing LH	9T1701	0-3	9T3141	4.000	2.125	I	2465929	129.86
	Swing LH	9T1701	4-up	9T3141	4.000	2.125	I	2465931	166.09
	Swing RH	9T1230	0-3	9T2880	4.000	2.125	I	2465929	129.86
	Swing RH	9T1230	4-up	9T2880	4.000	2.125	I	2465931	166.09
	Tilt	1007844	0-up	9T3160	4.000	2.000	I	2339205	57.79
	Tilt	9T2995	0-up	9T3160	4.000	2.000	I	2339205	57.79

All manufacturer's names, part numbers and descriptions are used for reference purposes only. We do not imply that any part shown is the product of these manufacturers.

INDUSTRIAL SEAL KITS

MOBILE SEAL KITS



CATERPILLAR

## COLD PLANER

## CATERPILLAR

Model	Application	Cylinder Group	Engineering Design Change Level	Cylinder Assembly Part No.	Bore	Rod	I	Ref. Number RCAT-	\$
							M		
<b>PM465</b>	Tensioner	0869735	0-up		2.500	-	I	1G8863	34.17
<b>PM565</b>	Elevation	1G8277	0-up		4.000	2.250	I	1318161	387.48
	Elevation	1G8278	0-up		4.000	2.250	I	1318161	387.48
	Lift - Engine Enclosure	0869600	0-up		2.000	1.250	I	1013697	71.07
	N/A	1222691	0-up		4.000	2.250	I	1265378	550.29
	N/A	1222692	0-up		4.000	2.250	I	1265378	550.29
	Tensioner	0869735	0-up		2.500	-	I	1G8863	34.17
<b>PM565B</b>	Elevation	1G8277	0-up		4.000	2.250	I	1318161	387.48
	Elevation	1G8278	0-up		4.000	2.250	I	1318161	387.48
	Lift - Engine Enclosure	0869600	0-up		2.000	1.250	I	1013697	71.07
	N/A	1222691	0-up		4.000	2.250	I	1265378	550.29
	N/A	1222692	0-up		4.000	2.250	I	1265378	550.29
	Tensioner	0869735	0-up		2.500	-	I	1G8863	34.17
<b>PR450</b>	Steering	0822836	0-up		4.000	1.500	I	7R6913	98.33
<b>PR450C</b>	Conveyor - Elevation	1G6047	0-up		3.000	1.500	I	5E8597	90.53
	Steering	0822836	0-up		4.000	1.500	I	7R6913	98.33
<b>PR750C</b>	N/A	8C9481	0-up		3.000	1.500	I	5E8597	90.53

INDUSTRIAL  
SEAL KITS

MOBILE  
SEAL KITS



CATERPILLAR

All manufacturer's names, part numbers and descriptions are used for reference purposes only. We do not imply that any part shown is the product of these manufacturers.

Tel.: (418) 688-3202  
Fax: (418) 688-4272

**KITS 125**

[www.sealsonline.com](http://www.sealsonline.com)

## CATERPILLAR

## EXCAVATOR

Model	Application	Cylinder Group	Engineering Design Change Level	Cylinder Assembly Part No.	Bore	Rod	I	Ref. Number RCAT-	\$
							M		
<b>215</b>	Boom	8J8613	1-up	8J8877	4.500	2.750	I	2435808	165.95
	Bucket	8J8612	12-up	8J8873	4.500	2.750	I	2435808	165.95
	Bucket Clamshell	9J5832	1-up	9J5779	6.500	3.250	I	7X2713	131.94
	Stick	8J8611	10-up	8J8765	5.500	3.500	I	2456824	151.93
<b>215B</b>	Boom	8J8613	1-up	8J8877	4.500	2.750	I	2435808	165.95
	Bucket	8J8612	12-up	8J8873	4.500	2.750	I	2435808	165.95
	Stick	8J8611	10-up	8J8765	5.500	3.500	I	2456824	151.93
<b>215C</b>	Boom	8J8613	1-up	8J8877	4.500	2.750	I	2435808	165.95
	Boom	9T6410	0-up	9T6411	4.750	3.000	I	2442070	196.33
	Bucket	8J8612	12-up	8J8873	4.500	2.750	I	2435808	165.95
	Bucket	9T6497	0-1	9T6498	4.750	3.000	I	2442070	196.33
	Bucket	9T6497	2-up	9T6498	4.750	3.000	I	2442071	199.87
	Stick	8J8611	10-up	8J8765	5.500	3.500	I	2456824	151.93
<b>215D</b>	Boom	8J8613	1-up	8J8877	4.500	2.750	I	2435808	165.95
	Boom	9T9278	0-up	9T9279	4.750	3.000	I	2442070	196.33
	Bucket	9T6497	0-1	9T6498	4.750	3.000	I	2442070	196.33
	Bucket	9T6497	2-up	9T6498	4.750	3.000	I	2442071	199.87
	Stick	9T9280	0-up	9T9281	5.500	3.500	I	2456824	151.93
<b>216</b>	Stick	1428955	0-up		-	-	M	1428963	125.71
	Stick	1428956	0-up		-	-	M	1428963	125.71
	Stick	1428960	0-up		-	-	M	1428962	82.96
	Stick	1428961	0-up		-	-	M	1428962	82.96
	Stick	1565512	0-up		-	-	I	1643213	22.91
<b>219</b>	Boom	9T6410	0-up	9T6411	4.750	3.000	I	2442070	196.33
	Bucket	8J8612	12-up	8J8873	4.500	2.750	I	2435808	165.95
	Bucket	9T6497	0-1	9T6498	4.750	3.000	I	2442070	196.33
	Bucket	9T6497	2-up	9T6498	4.750	3.000	I	2442071	199.87
	Stick	8J8611	10-up	8J8765	5.500	3.500	I	2456824	151.93
<b>219D</b>	Boom	9T9278	0-up	9T9279	4.750	3.000	I	2442070	196.33
	Bucket	9T6497	0-1	9T6498	4.750	3.000	I	2442070	196.33
	Bucket	9T6497	2-up	9T6498	4.750	3.000	I	2442071	199.87
	Stick	9T9280	0-up	9T9281	5.500	3.500	I	2456824	151.93
<b>225</b>	Boom	3G2996	0-2	3G2992	5.500	3.250	I	2442080	163.23
	Boom	3G2996	3-up	3G2992	5.500	3.250	I	2550913	368.88
	Boom	3G7384	0-1	8J1697	5.500	3.250	I	2442080	163.23
	Boom	3G7384	2-up	8J1697	5.500	3.250	I	2550913	368.88
	Boom	6E3833	0-up	6E3834	5.500	3.250	I	2550913	368.88
	Boom	6E3836	0-up	6E3837	5.500	3.250	I	2550913	368.88

All manufacturer's names, part numbers and descriptions are used for reference purposes only. We do not imply that any part shown is the product of these manufacturers.

INDUSTRIAL  
SEAL KITS

MOBILE  
SEAL KITS

CATERPILLAR

## EXCAVATOR

## CATERPILLAR

Model	Application	Cylinder Group	Engineering Design Change Level	Cylinder Assembly Part No.	Bore	Rod	I	Ref. Number RCAT-	\$
							M		
	Boom	8J1698	9-11	8J1697	5.500	3.250	I	2442080	163.23
	Boom	8J1698	12-up	8J1697	5.500	3.250	I	2550913	368.88
	Bucket	6E6007	0-up		5.500	3.250	I	2550913	368.88
	Bucket	8J2566	7-10	8J2567	5.500	3.250	I	2442080	163.23
	Bucket	8J2566	11-up	8J2567	5.500	3.250	I	2550913	368.88
	Bucket	9J7006	0-1		5.500	3.250	I	2442079	130.56
	Bucket	9J7006	2-3		5.500	3.250	I	2450579	368.88
	Bucket	9J7006	4-up		5.500	3.250	I	2450601	400.57
	Clamshell	9J5153	0-up	9J5154	8.250	3.500	I	7X2727	339.94
	Stick	9J1755	6-13	9J1754	6.000	3.750	I	2445647	452.42
	Stick	9J1755	14-up	9T6940	6.000	3.750	I	2459835	370.64
<b>225B</b>	Boom	3G2996	0-2	3G2992	5.500	3.250	I	2442080	163.23
	Boom	3G2996	3-up	3G2992	5.500	3.250	I	2550913	368.88
	Boom	6E3833	0-up	6E3834	5.500	3.250	I	2550913	368.88
	Boom	8J1698	9-11	8J1697	5.500	3.250	I	2442080	163.23
	Boom	8J1698	12-up	8J1697	5.500	3.250	I	2550913	368.88
	Boom	9T5230	3-6	9T5229	6.000	3.500	I	2456829	222.56
	Boom	9T5230	7-up	9T5229	6.000	3.500	I	2456828	269.32
	Bucket	6E6007	0-up		5.500	3.250	I	2550913	368.88
	Bucket	9J7006	0-1		5.500	3.250	I	2442079	130.56
	Bucket	9J7006	2-3		5.500	3.250	I	2450579	368.88
	Bucket	9J7006	4-up		5.500	3.250	I	2450601	400.57
	Stick	9J1755	6-13	9J1754	6.000	3.750	I	2445647	452.42
	Stick	9J1755	14-up	9T6940	6.000	3.750	I	2459835	370.64
<b>225D</b>	Boom	9T9747	0-1	9T9748	6.000	3.500	I	2456829	222.56
	Boom	9T9747	2-up	9T9748	6.000	3.500	I	2456828	269.32
	Bucket	6E6007	0-up		5.500	3.250	I	2550913	368.88
	Bucket	9J7006	0-1		5.500	3.250	I	2442079	130.56
	Bucket	9J7006	2-3		5.500	3.250	I	2450579	368.88
	Bucket	9J7006	4-up		5.500	3.250	I	2450601	400.57
	Stick	6E6009	0-up	6E0156	6.000	3.750	I	2459835	370.64
	Stick	9T9744	0-1	9T9745	6.000	3.750	I	2445647	452.42
	Stick	9T9744	2-up	9T9745	6.000	3.750	I	2459835	370.64
<b>226</b>	Stick	1428955	0-up		-	-	M	1428963	125.71
	Stick	1428956	0-up		-	-	M	1428963	125.71
	Stick	1428960	0-up		-	-	M	1428962	82.96
	Stick	1428961	0-up		-	-	M	1428962	82.96
	Stick	1565512	0-up		-	-	I	1643213	22.91

All manufacturer's names, part numbers and descriptions are used for reference purposes only. We do not imply that any part shown is the product of these manufacturers.

Tel.: (514) 334-2220  
Fax: (514) 333-8329

**KITS 127**

[www.sealsonline.com](http://www.sealsonline.com)

INDUSTRIAL  
SEAL KITS

MOBILE  
SEAL KITS



CATERPILLAR

## CATERPILLAR

## EXCAVATOR

Model	Application	Cylinder Group	Engineering Design Change Level	Cylinder Assembly Part No.	Bore	Rod	I	Ref. Number RCAT-	\$
							M		
227	Boom	3G2996	0-2	3G2992	5.500	3.250	I	2442080	163.23
	Boom	3G2996	3-up	3G2992	5.500	3.250	I	2550913	368.88
	Boom	3G7264	1-2	3G2992	5.500	3.250	I	2442080	163.23
	Boom	3G7264	3-up	3G2992	5.500	3.250	I	2550913	368.88
	Boom	6E3833	0-up	6E3834	5.500	3.250	I	2550913	368.88
	Boom	8J1698	9-11	8J1697	5.500	3.250	I	2442080	163.23
	Boom	8J1698	12-up	8J1697	5.500	3.250	I	2550913	368.88
	Bucket	6E6007	0-up		5.500	3.250	I	2550913	368.88
	Bucket	9J7006	0-1		5.500	3.250	I	2442079	130.56
	Bucket	9J7006	2-3		5.500	3.250	I	2450579	368.88
	Bucket	9J7006	4-up		5.500	3.250	I	2450601	400.57
	Grapple	3G5672	0-up		3.000	1.750	I	2402016	95.33
	Shear	3G2778	2-up	3G2657	6.500	3.250	I	7X2713	131.94
	Stick	1U4732	2-6	1U4731	6.000	3.750	I	2445647	452.42
Stick	1U4732	7-up	1U4731	6.000	3.750	I	2459835	370.64	
Stick	9J1755	6-13	9J1754	6.000	3.750	I	2445647	452.42	
Stick	9J1755	14-up	9T6940	6.000	3.750	I	2459835	370.64	
Tilt	3G9241	2-3	3G9240	4.500	2.500	I	7X2668	167.88	
228	Boom	1428960	0-up		-	-	M	1428962	82.96
	Boom	1428961	0-up		-	-	M	1428962	82.96
	Boom	1565512	0-up		-	-	I	1643213	22.91
229	Boom	3G2996	0-2	3G2992	5.500	3.250	I	2442080	163.23
	Boom	3G2996	3-up	3G2992	5.500	3.250	I	2550913	368.88
	Boom	6E3833	0-up	6E3834	5.500	3.250	I	2550913	368.88
	Boom	8J1698	9-11	8J1697	5.500	3.250	I	2442080	163.23
	Boom	8J1698	12-up	8J1697	5.500	3.250	I	2550913	368.88
	Boom	9T5230	3-6	9T5229	6.000	3.500	I	2456829	222.56
	Boom	9T5230	7-up	9T5229	6.000	3.500	I	2456828	269.32
	Bucket	6E6007	0-up		5.500	3.250	I	2550913	368.88
	Bucket	9J7006	0-1		5.500	3.250	I	2442079	130.56
	Bucket	9J7006	2-3		5.500	3.250	I	2450579	368.88
	Bucket	9J7006	4-up		5.500	3.250	I	2450601	400.57
	Stick	9J1755	6-13	9J1754	6.000	3.750	I	2445647	452.42
	Stick	9J1755	14-up	9T6940	6.000	3.750	I	2459835	370.64

All manufacturer's names, part numbers and descriptions are used for reference purposes only. We do not imply that any part shown is the product of these manufacturers.

INDUSTRIAL SEAL KITS

MOBILE SEAL KITS

CATERPILLAR

## EXCAVATOR

## CATERPILLAR

Model	Application	Cylinder Group	Engineering Design Change Level	Cylinder Assembly Part No.	Bore	Rod	I	Ref. Number RCAT-	\$
							M		
229D	Boom	9T9371	0-up	9T9370	6.000	4.000	I	2460658	286.96
	Bucket	6E6007	0-up		5.500	3.250	I	2550913	368.88
	Bucket	9J7006	0-1		5.500	3.250	I	2442079	130.56
	Bucket	9J7006	2-3		5.500	3.250	I	2450579	368.88
	Bucket	9J7006	4-up		5.500	3.250	I	2450601	400.57
	Stick	6E6009	0-up	6E0156	6.000	3.750	I	2459835	370.64
	Stick	9T9744	0-1	9T9745	6.000	3.750	I	2445647	452.42
	Stick	9T9744	2-up	9T9745	6.000	3.750	I	2459835	370.64
231D	Boom	1052921	0-up	9T9370	6.000	4.000	I	2460658	286.96
	Boom	9T9371	0-up	9T9370	6.000	4.000	I	2460658	286.96
	Bucket	6E5021	0-up	6E5022	6.000	4.000	I	2460658	286.96
235	Bucket	9T9514	1-up	9T9513	6.000	4.000	I	2460658	286.96
	Stick	6E6008	0-up	6E0152	6.500	4.000	I	3E3303	290.63
	Stick	9T9438	0-up	9T9482	6.500	4.000	I	3E3303	290.63
235	Boom	1024210	0-up	1024211	6.500	4.250	I	2463429	229.95
	Boom	3G3524	0-3	3G3523	7.250	4.750	I	2481181	334.43
	Boom	3G3524	4-up	3G3523	7.250	4.750	I	2481178	292.00
	Boom	4T1689	2-up	4T1688	6.500	4.250	I	2463429	229.95
	Boom	4T1921	1-up	4T1990	6.500	4.250	I	2463429	229.95
	Boom	6C5856	0-up	4T1990	6.500	4.250	I	2463429	229.95
	Boom	6C5857	0-up	6E4464	6.500	4.250	I	2463429	229.95
	Boom	8J4589	4-6	6E4582	6.500	4.250	I	2463430	244.56
235	Boom	8J4589	9-up	6E4582	6.500	4.250	I	2463429	229.95
	Boom	9J2153	2-7	9J2152	6.500	4.250	I	2463430	244.56
	Boom	9J2153	10-up	9J2152	6.500	4.250	I	2463429	229.95
	Boom	9T9995	0-up	9T9996	6.500	4.250	I	2463429	229.95
	Bottom Dump	4T0483	0-1	4T0482	7.250	3.000	I	2442056	217.54
	Bottom Dump	4T0483	2-up	4T0482	7.250	3.000	I	2442058	324.95
	Bucket	1024216	0-up	1024217	6.500	4.750	I	2481175	417.52
	Bucket	4T2536	0-1	4T2537	6.500	4.750	I	2481183	296.36
235	Bucket	4T2536	2-up	4T2537	6.500	4.750	I	2481175	417.52
	Bucket	4T5883	4-up	4T5882	7.750	5.250	I	2481197	556.63
	Bucket	6E4568	0-1	6E4569	7.750	5.250	I	2481196	582.49
	Bucket	9J4100	0-1	9J4099	6.500	4.750	I	7X7719	262.30
	Bucket	9J4100	2-3	9J4099	6.500	4.750	I	7X7718	248.03
	Bucket	9J4100	4-6	9J4099	6.500	4.750	I	2481183	296.36
	Bucket	9J4100	7-up	9J4099	6.500	4.750	I	2481175	417.52
	Slave	9J4882	0-up		5.000	4.000	I	7X2816	249.63
235	Stick	3G5646	0-up	3G5645	7.750	5.000	I	2463434	576.43
	Stick	6E5096	0-up	6E4594	7.750	5.000	I	1945585	483.29
	Stick	9J1755	6-13	9J1754	6.000	3.750	I	2445647	452.42
	Stick	9J1755	14-up	9T6940	6.000	3.750	I	2459835	370.64
	Stick	9T1387	1-up	3G5645	7.750	5.000	I	2463434	576.43
	Stick	9T9354	0-4	9T9272	7.750	5.000	I	2463434	576.43
	Stick	9T9354	5-up	6E4594	7.750	5.000	I	1945585	483.29

INDUSTRIAL SEAL KITS

MOBILE SEAL KITS



CATERPILLAR

All manufacturer's names, part numbers and descriptions are used for reference purposes only. We do not imply that any part shown is the product of these manufacturers.

Tel.: (905) 362-0889  
Fax: (888) 238-1664

**KITS 129**

[www.sealsonline.com](http://www.sealsonline.com)

## CATERPILLAR

## EXCAVATOR

Model	Application	Cylinder Group	Engineering Design Change Level	Cylinder Assembly Part No.	Bore	Rod	I	Ref. Number RCAT-	\$
							M		
235B	Boom	1024210	0-up	1024211	6.500	4.250	I	2463429	229.95
	Boom	4T1689	2-up	4T1688	6.500	4.250	I	2463429	229.95
	Boom	4T1921	1-up	4T1990	6.500	4.250	I	2463429	229.95
	Boom	6C5856	0-up	4T1990	6.500	4.250	I	2463429	229.95
	Boom	6C5857	0-up	6E4464	6.500	4.250	I	2463429	229.95
	Boom	9T9995	0-up	9T9996	6.500	4.250	I	2463429	229.95
	Bottom Dump	4T0483	0-1	4T0482	7.250	3.000	I	2442056	217.54
	Bottom Dump	4T0483	2-up	4T0482	7.250	3.000	I	2442058	324.95
	Bucket	1024216	0-up	1024217	6.500	4.750	I	2481175	417.52
	Bucket	4T2536	0-1	4T2537	6.500	4.750	I	2481183	296.36
	Bucket	4T2536	2-up	4T2537	6.500	4.750	I	2481175	417.52
	Bucket	4T5883	4-up	4T5882	7.750	5.250	I	2481197	556.63
	Bucket	6E4568	0-1	6E4569	7.750	5.250	I	2481196	582.49
	Slave	9J4882	0-up		5.000	4.000	I	7X2816	249.63
Stick	3G5646	0-up	3G5645	7.750	5.000	I	2463434	576.43	
Stick	6E5096	0-up	6E4594	7.750	5.000	I	1945585	483.29	
Stick	9T1387	1-up	3G5645	7.750	5.000	I	2463434	576.43	
Stick	9T9354	0-4	9T9272	7.750	5.000	I	2463434	576.43	
Stick	9T9354	5-up	6E4594	7.750	5.000	I	1945585	483.29	
235C	Boom	1024210	0-up	1024211	6.500	4.250	I	2463429	229.95
	Boom	4T1689	2-up	4T1688	6.500	4.250	I	2463429	229.95
	Boom	4T1921	1-up	4T1990	6.500	4.250	I	2463429	229.95
	Boom	6C5856	0-up	4T1990	6.500	4.250	I	2463429	229.95
	Boom	6C5857	0-up	6E4464	6.500	4.250	I	2463429	229.95
	Boom	6E1643	2-up	9T9359	7.000	4.750	I	2481179	421.79
	Boom	9T6615	0-up	9T6616	7.000	4.750	I	2481185	418.95
	Boom	9T9360	2-up	9T9359	7.000	4.750	I	2481179	421.79
	Boom	9T9995	0-up	9T9996	6.500	4.250	I	2463429	229.95
	Bottom Dump	4T0483	0-1	4T0482	7.250	3.000	I	2442056	217.54
	Bottom Dump	4T0483	2-up	4T0482	7.250	3.000	I	2442058	324.95
	Bucket	1024216	0-up	1024217	6.500	4.750	I	2481175	417.52
	Bucket	4T2536	0-1	4T2537	6.500	4.750	I	2481183	296.36
	Bucket	4T2536	2-up	4T2537	6.500	4.750	I	2481175	417.52
	Bucket	4T5883	4-up	4T5882	7.750	5.250	I	2481197	556.63
	Bucket	6E4568	0-1	6E4569	7.750	5.250	I	2481196	582.49
	Slave	9J4882	0-up		5.000	4.000	I	7X2816	249.63
	Stick	3G5646	0-up	3G5645	7.750	5.000	I	2463434	576.43
	Stick	6E5096	0-up	6E4594	7.750	5.000	I	1945585	483.29
Stick	9T1387	1-up	3G5645	7.750	5.000	I	2463434	576.43	
Stick	9T9354	0-4	9T9272	7.750	5.000	I	2463434	576.43	
Stick	9T9354	5-up	6E4594	7.750	5.000	I	1945585	483.29	

All manufacturer's names, part numbers and descriptions are used for reference purposes only. We do not imply that any part shown is the product of these manufacturers.

INDUSTRIAL SEAL KITS

MOBILE SEAL KITS

CATERPILLAR

## EXCAVATOR

## CATERPILLAR

Model	Application	Cylinder Group	Engineering Design Change Level	Cylinder Assembly Part No.	Bore	Rod	I	Ref. Number RCAT-	\$
							M		
235D	Boom	1024210	0-up	1024211	6.500	4.250	I	2463429	229.95
	Boom	4T1689	2-up	4T1688	6.500	4.250	I	2463429	229.95
	Boom	6C5856	0-up	4T1990	6.500	4.250	I	2463429	229.95
	Boom	6C5857	0-up	6E4464	6.500	4.250	I	2463429	229.95
	Boom	6E1643	2-up	9T9359	7.000	4.750	I	2481179	421.79
	Boom	9T9995	0-up	9T9996	6.500	4.250	I	2463429	229.95
	Bottom Dump	4T0483	0-1	4T0482	7.250	3.000	I	2442056	217.54
	Bottom Dump	4T0483	2-up	4T0482	7.250	3.000	I	2442058	324.95
	Bucket	1024216	0-up	1024217	6.500	4.750	I	2481175	417.52
	Bucket	4T2536	0-1	4T2537	6.500	4.750	I	2481183	296.36
	Bucket	4T2536	2-up	4T2537	6.500	4.750	I	2481175	417.52
	Bucket	4T5883	4-up	4T5882	7.750	5.250	I	2481197	556.63
	Bucket	6E4568	0-1	6E4569	7.750	5.250	I	2481196	582.49
	Slave	9J4882	0-up		5.000	4.000	I	7X2816	249.63
Stick	6E5096	0-up	6E4594	7.750	5.000	I	1945585	483.29	
Stick	9T9354	0-4	9T9272	7.750	5.000	I	2463434	576.43	
Stick	9T9354	5-up	6E4594	7.750	5.000	I	1945585	483.29	
236	Ripper	1429190	0-up		-	-	M	1429192	146.67
	Ripper	1429191	0-up		-	-	M	1429192	146.67
	Ripper	1429195	0-up		-	-	M	1429193	111.49
	Ripper	1429196	0-up		-	-	M	1429193	111.49
	Ripper	1545018	0-up		-	-	I	1643213	22.91
245	Boom	1024212	0-up	1024213	7.000	4.750	I	2481179	421.79
	Boom	3G3524	0-3	3G3523	7.250	4.750	I	2481181	334.43
	Boom	3G3524	4-up	3G3523	7.250	4.750	I	2481178	292.00
	Boom	8J3720	0-10	8J3719	7.000	4.750	I	2481182	367.63
	Boom	8J3720	11-up	8J3719	7.000	4.750	I	2481179	421.79
	Boom	9J5379	0-6	9J7235	7.000	4.750	I	2481182	367.63
	Boom	9J5379	7-up	9J7235	7.000	4.750	I	2481179	421.79
	Boom	9T9358	0-up	9T9357	7.250	4.750	I	2481178	292.00
	Bottom Dump	1U1659	0	1U2632	7.750	3.500	I	9X2644	228.85
	Bucket	1U1646	0-1	1U1647	7.000	4.750	I	2481182	367.63
	Bucket	1U1646	2-up	1U1647	7.000	4.750	I	2481179	421.79
	Bucket	4T5883	4-up	4T5882	7.750	5.250	I	2481197	556.63
	Bucket	6E4568	0-1	6E4569	7.750	5.250	I	2481196	582.49
	Bucket	8J8721	0-up		7.000	4.750	I	2481182	367.63
	Bucket	9J9398	0-1	9J9397	7.000	5.750	I	2463439	231.22
	Lift	8J6167	1-5	8J6159	5.000	2.500	I	2430386	198.75
	Lift	8J6167	6-up	8J6159	5.000	2.500	I	2430387	179.76
	Master	3G4615	0-3	3G4612	6.000	5.000	I	8T1909	333.45
	Stick	1011908	0-up	6E4596	8.250	5.750	I	2463440	730.87
Stick	3G2778	5-up	3G1307	8.250	5.750	I	2463440	730.87	
Stick	6E5093	0-up	6E4596	8.250	5.750	I	2463440	730.87	
Stick	9T1388	0-up	3G1307	8.250	5.750	I	2463440	730.87	
Stick	9T9356	0-up	9T9355	8.250	5.750	I	2463440	730.87	

INDUSTRIAL SEAL KITS

MOBILE SEAL KITS



CATERPILLAR

All manufacturer's names, part numbers and descriptions are used for reference purposes only. We do not imply that any part shown is the product of these manufacturers.

**Tel.: (204) 783-9617**  
**Fax: (204) 783-6091**

**KITS 131**

**www.sealsonline.com**



## CATERPILLAR

## EXCAVATOR

Model	Application	Cylinder Group	Engineering Design Change Level	Cylinder Assembly Part No.	Bore	Rod	I	Ref. Number RCAT-	\$
							M		
245B	Boom	1024212	0-up	1024213	7.000	4.750	I	2481179	421.79
	Boom	3G3524	0-3	3G3523	7.250	4.750	I	2481181	334.43
	Boom	3G3524	4-up	3G3523	7.250	4.750	I	2481178	292.00
	Boom	8J3720	0-10	8J3719	7.000	4.750	I	2481182	367.63
	Boom	8J3720	11-up	8J3719	7.000	4.750	I	2481179	421.79
	Boom	9J5379	0-6	9J7235	7.000	4.750	I	2481182	367.63
	Boom	9J5379	7-up	9J7235	7.000	4.750	I	2481179	421.79
	Boom	9T9358	0-up	9T9357	7.250	4.750	I	2481178	292.00
	Bottom Dump	1U1659	0	1U2632	7.750	3.500	I	9X2644	228.85
	Bucket	1U1646	0-1	1U1647	7.000	4.750	I	2481182	367.63
	Bucket	1U1646	2-up	1U1647	7.000	4.750	I	2481179	421.79
	Bucket	4T5883	4-up	4T5882	7.750	5.250	I	2481197	556.63
	Bucket	6E4568	0-1	6E4569	7.750	5.250	I	2481196	582.49
	Bucket	8J8721	0-up		7.000	4.750	I	2481182	367.63
245D	Bucket	9J7755	0-3	9J7756	7.000	5.750	I	2463439	231.22
	Bucket	9J9397	0-1	9J9397	7.000	5.750	I	2463439	231.22
	Lift	8J6167	1-5	8J6159	5.000	2.500	I	2430386	198.75
	Lift	8J6167	6-up	8J6159	5.000	2.500	I	2430387	179.76
	Master	3G4615	0-3	3G4612	6.000	5.000	I	8T1909	333.45
	Stick	1011908	0-up	6E4596	8.250	5.750	I	2463440	730.87
	Stick	3G2778	5-up	3G1307	8.250	5.750	I	2463440	730.87
	Stick	6E5093	0-up	6E4596	8.250	5.750	I	2463440	730.87
	Stick	9T1388	0-up	3G1307	8.250	5.750	I	2463440	730.87
	Stick	9T9356	0-up	9T9355	8.250	5.750	I	2463440	730.87
	Boom	1024212	0-up	1024213	7.000	4.750	I	2481179	421.79
	Boom	3G3524	0-3	3G3523	7.250	4.750	I	2481181	334.43
	Boom	3G3524	4-up	3G3523	7.250	4.750	I	2481178	292.00
	Boom	8J3720	0-10	8J3719	7.000	4.750	I	2481182	367.63
Boom	8J3720	11-up	8J3719	7.000	4.750	I	2481179	421.79	
Boom	8J3750	3-10	8J3719	7.000	4.750	I	2481182	367.63	
Boom	9J5379	0-6	9J7235	7.000	4.750	I	2481182	367.63	
Boom	9J5379	7-up	9J7235	7.000	4.750	I	2481179	421.79	
Boom	9T9358	0-up	9T9357	7.250	4.750	I	2481178	292.00	
Bottom Dump	1U1659	0	1U2632	7.750	3.500	I	9X2644	228.85	
Bucket	1U1646	0-1	1U1647	7.000	4.750	I	2481182	367.63	
Bucket	1U1646	2-up	1U1647	7.000	4.750	I	2481179	421.79	
Bucket	4T5883	4-up	4T5882	7.750	5.250	I	2481197	556.63	
Bucket	6E4568	0-1	6E4569	7.750	5.250	I	2481196	582.49	
Bucket	8J8721	0-up		7.000	4.750	I	2481182	367.63	
Bucket	9J9398	0-1	9J9397	7.000	5.750	I	2463439	231.22	
Lift	8J6167	1-5	8J6159	5.000	2.500	I	2430386	198.75	
Lift	8J6167	6-up	8J6159	5.000	2.500	I	2430387	179.76	
Master	3G4615	0-3	3G4612	6.000	5.000	I	8T1909	333.45	
Stick	1011908	0-up	6E4596	8.250	5.750	I	2463440	730.87	
Stick	3G2778	5	3G1307	8.250	5.750	I	2463440	730.87	
Stick	3G2798	4-7	3G1307	8.250	5.750	I	2430383	109.32	
Stick	3G2798	8-up	3G1307	8.250	5.750	I	2430395	208.64	
Stick	6E5093	0-up	6E4596	8.250	5.750	I	2463440	730.87	

All manufacturer's names, part numbers and descriptions are used for reference purposes only. We do not imply that any part shown is the product of these manufacturers.

INDUSTRIAL SEAL KITS

MOBILE SEAL KITS

CATERPILLAR

## EXCAVATOR

## CATERPILLAR

Model	Application	Cylinder Group	Engineering Design Change Level	Cylinder Assembly Part No.	Bore	Rod	I	Ref. Number RCAT-	\$
							M		
246	Stick	9T1388	0-up	3G1307	8.250	5.750	I	2463440	730.87
	Stick	9T9356	0-up	9T9355	8.250	5.750	I	2463440	730.87
	Tilt	1429190	0-up		-	-	M	1429192	146.67
	Tilt	1429191	0-up		-	-	M	1429192	146.67
	Tilt	1429195	0-up		-	-	M	1429193	111.49
	Tilt	1429196	0-up		-	-	M	1429193	111.49
	Tilt	1545018	0-up		-	-	I	1643213	22.91
	Tilt	1565512	0-up		-	-	I	1643213	22.91
248	Tilt	1429195	0-up		-	-	M	1429193	111.49
	Tilt	1429196	0-up		-	-	M	1429193	111.49
	Tilt	1545018	0-up		-	-	I	1643213	22.91
	Tilt	1565512	0-up		-	-	I	1643213	22.91
301.5	Blade	1445992	0-up	1472635	60.00	30.00	M	1608546	71.35
	Boom	1445988	0-up	1470887	60.00	30.00	M	1608546	71.35
	Boom	1445991	0-up	1469015	60.00	30.00	M	1608546	71.35
	Boom	1625851	0-up		60.00	30.00	M	1608546	71.35
	Bucket	1445990	0-up	1474429	55.00	30.00	M	1608548	54.44
	Stick	1445989	0-up	1473122	60.00	35.00	M	1608547	71.05
307	Blade LH	1076377	0-up	1076378	90.00	50.00	M	0933045	285.35
	Blade LH	1148378	0-up	1148380	90.00	50.00	M	0933045	285.35
	Blade RH	1076472	0-up	1076473	90.00	50.00	M	0933045	285.35
	Blade RH	1148377	0-up	1148379	90.00	50.00	M	0933045	285.35
	Boom	1038195	0-up	1038196	110.00	75.00	M	1697896	413.89
	Bucket	1057238	0-up	1057239	80.00	55.00	M	1697845	231.85
	Offset	1057468	0-up	1057469	100.00	55.00	M	1057480	208.57
	Offset	1239937	0-up	1239938	100.00	55.00	M	1057480	208.57
	Stick	1038320	0-up	1038321	90.00	60.00	M	1697895	198.16
307B	Blade	1231627	0-up	1231631	120.00	80.00	M	1697835	213.45
	Blade	1624835	0-up	1624836	120.00	80.00	M	1697835	213.45
	Boom	1336759	0-up	1038196	110.00	75.00	M	1697826	128.26
	Boom	1437980	0-up	1438010	110.00	75.00	M	1697826	128.26
	Boom	1505901	0-up	1239938	100.00	55.00	M	1697829	283.27
	Bucket	1336765	0-up	1057239	80.00	55.00	M	1697828	254.76
	Off set	1239937	0-up	1239938	100.00	55.00	M	1057480	208.57
	Stick	1475903	0-up	1038321	90.00	60.00	M	1697827	340.00
	Stick	1505899	0-up	1251495	90.00	60.00	M	1697827	340.00
	Swing	1437981	0-up	1437985	100.00	65.00	M	1697830	234.10

INDUSTRIAL  
SEAL KITS

MOBILE  
SEAL KITS



CATERPILLAR

All manufacturer's names, part numbers and descriptions are used for reference purposes only. We do not imply that any part shown is the product of these manufacturers.

Tel.: (780) 414-1871  
Fax: (780) 487-5419

**KITS 133**

[www.sealsonline.com](http://www.sealsonline.com)

## CATERPILLAR

## EXCAVATOR

Model	Application	Cylinder Group	Engineering Design Change Level	Cylinder Assembly Part No.	Bore	Rod	I	Ref. Number RCAT-	\$
							M		
<b>308B</b>	Blade	1231627	0-up	1231631	120.00	80.00	M	1697835	213.45
	Blade	1624835	0-up	1624836	120.00	80.00	M	1697835	213.45
	Boom	1231615	0-up	1231619	120.00	75.00	M	1697831	287.36
	Boom	1348799	0	1348800	110.00	75.00	M	1697896	413.89
	Bucket	1057238	0-up	1057239	80.00	55.00	M	1697845	231.85
	Bucket	1602119	0-up	1602120	85.00	60.00	M	1697833	399.63
	Offset	1231635	0-up	1231639	100.00	55.00	M	1697834	227.51
	Stick	1038320	0-up	1038321	90.00	60.00	M	1697895	198.16
Stick	1231642	0-up	1231646	100.00	70.00	M	1697832	244.71	
<b>311</b>	Boom	1251548	0-up	616806	100.00	70.00	M	616858	270.30
	Boom	418841	0-up	616808	100.00	70.00	M	616858	270.30
	Bucket	1346987	0-up	1195448	100.00	65.00	M	1764935	218.47
	Stick	1251549	0-up	616815	110.00	75.00	M	418913	287.29
	Stick	418842	0-up	616815	110.00	75.00	M	418913	287.29
<b>311B</b>	Blade LH	1298009	0-up	1298011	120.00	80.00	M	1697835	213.45
	Blade RH	1298010	0-up	1298012	120.00	80.00	M	1697835	213.45
	Boom	1211395	0-up	1211396	100.00	70.00	M	1211405	264.13
	Boom	1438159	0-up	1211396	100.00	70.00	M	1697836	342.10
	Bucket	1438158	0-up	1195448	100.00	65.00	M	1697839	216.25
	Stick	1211406	0-up	1211407	110.00	75.00	M	1195435	291.68
<b>312</b>	Stick	1438160	0-up	1211407	110.00	75.00	M	1697837	256.43
	Boom	1251545	0-up	513017	110.00	75.00	M	418913	287.29
	Boom	418838	0-up	513017	110.00	75.00	M	418913	287.29
	Bucket	1346987	0-up	1195448	100.00	65.00	M	1764935	218.47
	Stick	1251546	0-up	513032	120.00	80.00	M	513047	241.73
	Stick	418839	0-up	513032	120.00	80.00	M	513047	241.73
<b>312B</b>	Blade LH	1298009	0-up	1298011	120.00	80.00	M	1697835	213.45
	Blade RH	1298010	0-up	1298012	120.00	80.00	M	1697835	213.45
	Boom	1195425	0-up	1195426	110.00	75.00	M	1195435	291.68
	Boom	1438156	0-up	1195426	110.00	75.00	M	1697837	256.43
	Bucket	1438158	0-up	1195448	100.00	65.00	M	1697839	216.25
	Stick	1195436	0-up	1195437	120.00	80.00	M	1195446	266.10
	Stick	1438157	0-up	1195437	120.00	80.00	M	1697838	267.85

All manufacturer's names, part numbers and descriptions are used for reference purposes only. We do not imply that any part shown is the product of these manufacturers.

INDUSTRIAL SEAL KITS

MOBILE SEAL KITS

CATERPILLAR

## EXCAVATOR

## CATERPILLAR

Model	Application	Cylinder Group	Engineering Design Change Level	Cylinder Assembly Part No.	Bore	Rod	I	Ref. Number RCAT-	\$
							M		
<b>313B</b>	Blade LH	1298009	0-up	1298011	120.00	80.00	M	1697835	213.45
	Blade RH	1298010	0-up	1298012	120.00	80.00	M	1697835	213.45
	Boom	1347819	0-up	1347820	110.00	75.00	M	1697844	272.52
	Boom	1425424	0-up	1148520	110.00	75.00	M	1697840	344.89
	Boom	1624758	0-up	1195426	110.00	75.00	M	1697837	256.43
	Boom LH	1347788	0-up	1251896	110.00	75.00	M	1697844	272.52
	Boom RH	1347790	0-up	1251896	110.00	75.00	M	1697844	272.52
	Bucket	1346987	0-up	1195448	100.00	65.00	M	1764935	218.47
	Bucket	1425430	0-up	1195448	100.00	65.00	M	1697842	310.51
	Bucket	1438158	0-up	1195448	100.00	65.00	M	1697839	216.25
N/A	1425384	0-up	1347820	110.00	75.00	M	1697844	272.52	
Offset	1239906	0-up	1239907	130.00	70.00	M	1697843	290.15	
	Stick	1195436	0-up	1195437	120.00	80.00	M	1195446	266.10
	Stick	1211406	0-up	1211407	110.00	75.00	M	1195435	291.68
	Stick	1425427	0-up	1239944	120.00	80.00	M	1697841	307.54
	Stick	1438157	0-up	1195437	120.00	80.00	M	1697838	267.85
	Stick	1438160	0-up	1211407	110.00	75.00	M	1697837	256.43
<b>315</b>	Boom	1057336	0-up	1057337	110.00	80.00	M	1057359	242.02
	Boom	1276046	0-up	1057337	110.00	80.00	M	1057359	242.02
	Boom	1624671	0-up	1057337	110.00	80.00	M	1624675	286.69
	Bucket	1057381	0-up	1057382	100.00	70.00	M	1057397	200.17
	Bucket	1076640	0-up	1076641	110.00	80.00	M	1057359	242.02
	Bucket	1276056	0-up	1057382	100.00	70.00	M	1057397	200.17
	Bucket	1276060	0-up	1076641	110.00	80.00	M	1057359	242.02
	Bucket	1624673	0-up	1057382	100.00	70.00	M	1624677	262.68
	Bucket	1624674	0-up	1076641	110.00	80.00	M	1624678	286.69
	Stick	1057362	0-1		110.00	80.00	M	1057359	242.02
	Stick	1057362	2-up	1140473	120.00	85.00	M	1057379	255.89
	Stick	1276051	0-up	1140473	120.00	85.00	M	1057379	255.89
	Stick	1624672	0-up	1140473	120.00	85.00	M	1624676	335.88
<b>315B</b>	Boom	1336630	0-up	1336641	110.00	80.00	M	1336646	244.62
	Boom	1556251	0-up	1336641	110.00	80.00	M	1659420	279.19
	Bucket	1336636	0-up	1336672	100.00	70.00	M	1336691	212.37
	Bucket	1336639	0-up	1336707	110.00	80.00	M	1336646	244.62
	Bucket	1559255	0-up	1336672	100.00	70.00	M	1709827	255.61
	N/A	1588923	0-up	1336707	110.00	80.00	M	1659420	279.19
	Stick	1336633	0-up	1336652	120.00	85.00	M	2502487	136.15
<b>317</b>	Boom	1057336	0-up	1057337	110.00	80.00	M	1057359	242.02
	Boom	1624671	0-up	1057337	110.00	80.00	M	1624675	286.69
	Bucket	1057381	0-up	1057382	100.00	70.00	M	1057397	200.17
	Bucket	1076640	0-up	1076641	110.00	80.00	M	1057359	242.02
	Bucket	1276056	0-up	1057382	100.00	70.00	M	1057397	200.17
	Bucket	1276060	0-up	1076641	110.00	80.00	M	1057359	242.02

All manufacturer's names, part numbers and descriptions are used for reference purposes only. We do not imply that any part shown is the product of these manufacturers.

**Tel.: (403) 279-1871**  
**Fax: (403) 279-1821**

**KITS 135**

**www.sealsonline.com**

INDUSTRIAL  
SEAL KITS

MOBILE  
SEAL KITS



CATERPILLAR

## CATERPILLAR

## EXCAVATOR

Model	Application	Cylinder Group	Engineering Design Change Level	Cylinder Assembly Part No.	Bore	Rod	I	Ref. Number RCAT-	\$
							M		
	Bucket	1624673	0-up	1057382	100.00	70.00	M	1624677	262.68
	Bucket	1624674	0-up	1076641	110.00	80.00	M	1624678	286.69
	Stick	1057362	0-up		120.00	85.00	M	1057379	255.89
	Stick	1276051	0-up	1140473	120.00	85.00	M	1057379	255.89
	Stick	1624672	0-up	1140473	120.00	85.00	M	1624676	335.88
<b>317B</b>	Boom	1336630	0-up	1336641	110.00	80.00	M	1336646	244.62
	Boom	1556251	0-up	1336641	110.00	80.00	M	1659420	279.19
	Bucket	1336636	0-up	1336672	100.00	70.00	M	1336691	212.37
	Bucket	1336639	0-up	1336707	110.00	80.00	M	1336646	244.62
	Bucket	1559255	0-up	1336672	100.00	70.00	M	1709827	255.61
	N/A	1588923	0-up	1336707	110.00	80.00	M	1659420	279.19
<b>318B</b>	Stick	1336633	0-up	1336652	120.00	85.00	M	2502487	136.15
	Bucket	1184134	0-up	1184142	120.00	85.00	M	2465938	326.16
	Bucket	1475763	0-up	1336707	110.00	80.00	M	1659420	279.19
	N/A	1183967	0-up		120.00	85.00	M	2043627	349.76
	N/A	1475755	0-up		120.00	85.00	M	2043625	229.56
	N/A	1475759	0-up		130.00	95.00	M	2095959	470.02
	N/A	1475762	0-up		110.00	80.00	M	2478995	641.69
	Stick	1475760	0-up	1475843	130.00	95.00	M	1659419	348.79
<b>320</b>	Boom	0874898	0-up		140.00	100.00	M	1597774	523.35
	Boom	0875491	0-1	418865	120.00	85.00	M	2465939	316.29
	Boom	0875496	0-up	0875497	120.00	85.00	M	2502487	136.15
	Boom	1069596	0-up	1069594	160.00	95.00	M	2330764	195.50
	Boom VA	6C6085	0-up	6C6086	160.00	95.00	M	2330764	195.50
	Bucket	0875633	0-up	411040	120.00	85.00	M	2465938	326.16
	Bucket	1185931	0-1	418879	120.00	85.00	M	2465935	445.24
	Bucket	1346987	0-up	1195448	100.00	65.00	M	1764935	218.47
	Bucket	417652	0-up	418901	100.00	65.00	M	2222376	206.60
	Bucket	717291	0-up	717292	130.00	85.00	M	1997425	360.93
	Bucket	7Y5100	0-up	411620	130.00	85.00	M	2465937	361.35
	Stick	0875422	0-up	0875423	140.00	100.00	M	1997427	345.24
		Stick	0875493	0-up		140.00	100.00	M	1597774
Stick		0876638	0-up	0876639	140.00	100.00	M	1997427	345.24
Stick		7Y4650	0-up		150.00	105.00	M	2481168	330.47
<b>320B</b>	Boom	1183953	0-up		140.00	100.00	M	2043626	347.29
	Boom	1183955	0-up		140.00	100.00	M	2043626	347.29
	Boom	1184023	0-up		120.00	85.00	M	2043625	229.56
	Boom	1184128	0-up	1184129	120.00	85.00	M	2502487	136.15
	Boom	1232081	0-up	1232119	150.00	105.00	M	1373767	413.49
	Bucket	1183967	0-up		120.00	85.00	M	2043627	349.76

All manufacturer's names, part numbers and descriptions are used for reference purposes only. We do not imply that any part shown is the product of these manufacturers.

INDUSTRIAL SEAL KITS

MOBILE SEAL KITS

CATERPILLAR

## EXCAVATOR

## CATERPILLAR

Model	Application	Cylinder Group	Engineering Design Change Level	Cylinder Assembly Part No.	Bore	Rod	I	Ref. Number RCAT-	\$
							M		
	Bucket	1184134	0-up	1184142	120.00	85.00	M	2465938	326.16
	Bucket	1232044	0-up	1184011	130.00	90.00	M	2470257	347.44
	Bucket	1232084	0-up	1232125	130.00	90.00	M	1373768	434.86
	Bucket	1346987	0-up	1195448	100.00	65.00	M	1764935	218.47
	Bucket	417652	0-up	418901	100.00	65.00	M	2222376	206.60
	N/A	1336770	0-up	1336824	140.00	100.00	M	2590634	413.14
	N/A	1336771	0-up	1336831	150.00	105.00	M	1373767	413.49
	N/A	1336812	0-up	1232125	130.00	90.00	M	1373768	434.86
	N/A	1443127	4-up	1613541	-	-	M	1450715	1631.72
	N/A	1450632	0-up		-	-	M	1450634	1539.35
	N/A	1450713	0-up		-	-	M	1450715	1631.72
	N/A	1540727	0-up	1297771	120.00	85.00	M	1540728	481.52
	N/A	1540734	0-up	1261942	140.00	100.00	M	1540735	424.06
	N/A	1540741	0-up	1261945	140.00	100.00	M	1540735	424.06
	N/A	1540743	0-up	1261948	120.00	85.00	M	1540744	463.08
	N/A	1540772	0-up	1232125	130.00	90.00	M	2590626	499.40
	N/A	1583051	0-up	1604683	-	-	M	1612010	1050.22
	N/A	1587793	0-up	1604691	-	-	M	1612011	1017.64
	Shear	1453751	0-up	1448032	-	-	M	1456437	1131.57
	Stick	1184000	0-up	1184001	150.00	105.00	M	2481168	330.47
	Stick	1184150	0-up	1184151	140.00	100.00	M	2481165	321.14
	Stick	1184156	0-up	1184157	140.00	100.00	M	2481165	321.14
	Tilt	1262119	0-up	1298022	125.00	85.00	M	1347123	916.97
<b>320S</b>	Boom	0875496	0-up	0875497	120.00	85.00	M	2502487	136.15
	Boom	1069596	0-up	1069594	160.00	95.00	M	2330764	195.50
	Bucket	0875633	0-up	411040	120.00	85.00	M	2465938	326.16
	Bucket	7Y5100	0-up	411620	130.00	85.00	M	2465937	361.35
	N/A	6C6085	0-up	6C6086	160.00	95.00	M	2330764	195.50
	Stick	0875422	0-up	0875423	140.00	100.00	M	1997427	345.24
	Stick	0876638	0-up	0876639	140.00	100.00	M	1997427	345.24
<b>321B</b>	Bucket	1232084	0-up	1232125	130.00	90.00	M	1373768	434.86
	N/A	1183967	0-up		120.00	85.00	M	2043627	349.76
<b>322</b>	Boom	1052571	0-up		130.00	90.00	M	1052585	477.91
	Boom	1052588	0-up		140.00	100.00	M	1597774	523.35
	Boom	6C9407	0-up	6C9416	170.00	100.00	M	2330763	461.25
	Boom	711345	0-up	711346	130.00	90.00	M	2502486	382.00
	Bucket	0875633	0-up	411040	120.00	85.00	M	2465938	326.16
	Bucket	1052597	0-up		130.00	85.00	M	1052601	427.86
	Bucket	1185931	0-1	418879	120.00	85.00	M	2465935	445.24
	Bucket	717291	0-up	717292	130.00	85.00	M	1997425	360.93
	Bucket	7Y5100	0-up	411620	130.00	85.00	M	2465937	361.35
	Bucket	7Y5150	0-up	411624	150.00	105.00	M	2481168	330.47
	Stick	717341	0-up	717342	140.00	100.00	M	1997427	345.24

All manufacturer's names, part numbers and descriptions are used for reference purposes only. We do not imply that any part shown is the product of these manufacturers.

Tel.: (604) 278-6808  
Fax: (604) 278-6180

**KITS 137**

[www.sealsonline.com](http://www.sealsonline.com)

INDUSTRIAL  
SEAL KITS

MOBILE  
SEAL KITS



CATERPILLAR

## CATERPILLAR

## EXCAVATOR

Model	Application	Cylinder Group	Engineering Design Change Level	Cylinder Assembly Part No.	Bore	Rod	I	Ref. Number RCAT-	\$
							M		
322B	Boom	1140636	0-up	1140637	140.00	100.00	M	2481163	375.89
	Boom	1184069	0-up		130.00	90.00	M	2043629	512.24
	Boom	1184070	0-up		140.00	100.00	M	2043626	347.29
	Boom	1184166	0-up	1184167	130.00	90.00	M	2470257	347.44
	Boom	6C9407	0-up	6C9416	170.00	100.00	M	2330763	461.25
	Bucket	1183921	0-up	1183922	150.00	105.00	M	2481168	330.47
	Bucket	1184008	0-up	1184185	130.00	90.00	M	2470257	347.44
	Bucket	1184134	0-up	1184142	120.00	85.00	M	2465938	326.16
	Bucket	1232044	0-up	1184011	130.00	90.00	M	2470257	347.44
	Bucket	1232091	0-up	1261888	130.00	90.00	M	2590627	469.81
	Bucket	1336810	0-up	1183922	150.00	105.00	M	2481168	330.47
	Bucket	1346987	0-up	1195448	100.00	65.00	M	1764935	218.47
	N/A	1183967	0-up		120.00	85.00	M	2043627	349.76
	N/A	1540743	0-up	1261948	120.00	85.00	M	1540744	463.08
N/A	1540747	0-up	1297774	130.00	90.00	M	1540748	284.44	
N/A	1540754	0-up	1261881	140.00	100.00	M	1540735	424.06	
N/A	1540756	0-up	1261888	130.00	90.00	M	1540757	442.66	
Stick	1163638	0-up	1163639	170.00	110.00	M	2159990	380.54	
Stick	1184000	0-up	1184001	150.00	105.00	M	2481168	330.47	
Stick	1184176	0-up	1184177	140.00	100.00	M	2481163	375.89	
325	Boom	6C9407	0-up	6C9416	170.00	100.00	M	2330763	461.25
	Boom	7Y4601	0-up	4I1612	130.00	95.00	M	1764999	231.60
	Bucket	0875491	0-1	4I8865	120.00	85.00	M	2465939	316.29
	Bucket	0875633	0-up	4I1040	120.00	85.00	M	2465938	326.16
	Bucket	1346987	0-up	1195448	100.00	65.00	M	1764935	218.47
	Bucket	4I7652	0-up	4I8901	100.00	65.00	M	2222376	206.60
	Bucket	7I7291	0-up	7I7292	130.00	85.00	M	1997425	360.93
	Bucket	7Y5100	0-up	4I1620	130.00	85.00	M	2465937	361.35
	Bucket	7Y5150	0-up	4I1624	150.00	105.00	M	2481168	330.47
	Stick	7Y4650	0-up		150.00	105.00	M	2481168	330.47
	325B	Boom	1077040	0-up		140.00	100.00	M	1373766
Boom		1140636	0-up	1140637	140.00	100.00	M	2481163	375.89
Boom		1232081	0-up	1232119	150.00	105.00	M	1373767	413.49
Boom		6C9407	0-up	6C9416	170.00	100.00	M	2330763	461.25
Bucket		1183921	0-up	1183922	150.00	105.00	M	2481168	330.47
Bucket		1184134	0-up	1184142	120.00	85.00	M	2465938	326.16
Bucket		1232044	0-up	1184011	130.00	90.00	M	2470257	347.44
Bucket		1232084	0-up	1232125	130.00	90.00	M	1373768	434.86
Bucket		1336810	0-up	1183922	150.00	105.00	M	2481168	330.47
Bucket		1497610	0-up	1497611	130.00	90.00	M	2502486	382.00
Bucket		4I1726	0-up	4I1727	160.00	110.00	M	2481172	404.33
Bucket		4I7652	0-up	4I8901	100.00	65.00	M	2222376	206.60

All manufacturer's names, part numbers and descriptions are used for reference purposes only. We do not imply that any part shown is the product of these manufacturers.

INDUSTRIAL SEAL KITS

MOBILE SEAL KITS

CATERPILLAR

## EXCAVATOR

## CATERPILLAR

Model	Application	Cylinder Group	Engineering Design Change Level	Cylinder Assembly Part No.	Bore	Rod	I	Ref. Number RCAT-	\$	
							M			
	N/A	1540760	0-up	1438097	140.00	100.00	M	1540761	377.39	
	N/A	1540765	0-up	1232119	150.00	105.00	M	1540766	387.46	
	N/A	1540772	0-up	1232125	130.00	90.00	M	2590626	499.40	
	Stick	1163638	0-up	1163639	170.00	110.00	M	2159990	380.54	
	Stick	1184000	0-up	1184001	150.00	105.00	M	2481168	330.47	
	Stick	1479427	0-up	1479428	150.00	105.00	M	2481168	330.47	
	<b>330</b>	Boom	7Y4906	0-up		150.00	105.00	M	2481168	330.47
Bucket		0875531	0-up	4I0981	160.00	110.00	M	2481173	392.95	
Bucket		7Y5100	0-up	4I1620	130.00	85.00	M	2465937	361.35	
Bucket		7Y5150	0-up	4I1624	150.00	105.00	M	2481168	330.47	
Stick		7Y4926	0-up	4I1524	170.00	110.00	M	2481174	467.58	
<b>330B</b>		Boom	1163578	0-up	1163579	150.00	105.00	M	2481168	330.47
	Boom	1336808	0-up	1163579	150.00	105.00	M	2481168	330.47	
	Boom	1376961	0-up	1376962	180.00	105.00	M	2171007	444.66	
	Bucket	1183921	0-up	1183922	150.00	105.00	M	2481168	330.47	
	Bucket	1183935	0-up	1183936	160.00	110.00	M	2481172	404.33	
	Bucket	1184134	0-up	1184142	120.00	85.00	M	2465938	326.16	
	Bucket	1336810	0-up	1183922	150.00	105.00	M	2481168	330.47	
	Bucket	1336811	0-up	1183936	160.00	110.00	M	1289280	380.43	
	Bucket	4I1726	0-up	4I1727	160.00	110.00	M	2481172	404.33	
	Stick	1163638	0-up	1163639	170.00	110.00	M	2159990	380.54	
	Stick	1336809	0-up	1163639	170.00	110.00	M	1289278	392.21	
	<b>345B</b>	Boom	1297829	0-up	1297879	160.00	110.00	M	2481172	404.33
		Boom	1553737	0-up	1297879	160.00	110.00	M	2481172	404.33
Bucket		1183935	0-up	1183936	160.00	110.00	M	2481172	404.33	
Bucket		1184134	0-up	1184142	120.00	85.00	M	2465938	326.16	
Bucket		1232044	0-up	1184011	130.00	90.00	M	2470257	347.44	
Bucket		1297835	0-up	1297866	170.00	110.00	M	2159990	380.54	
Counterweight		1231078	0-up	1231079	4.750	3.000	I	2275349	174.19	
Material Handler		1504125	0-up	1504126	170.00	110.00	M	2481174	467.58	
Steering		1151371	0-up	1153595	4.000	2.250	I	2418921	152.31	
Stick		1163638	0-up	1163639	170.00	110.00	M	2159990	380.54	
Stick		1297832	0-up	1297893	190.00	130.00	M	2522425	523.23	
<b>350</b>	Boom	4I1515	0-up	4I1516	170.00	110.00	M	2481174	467.58	
	Bucket	1578989	0-up	4I1727	160.00	110.00	M	2481172	404.33	
	Bucket	4I1726	0-up	4I1727	160.00	110.00	M	2481172	404.33	
	Bucket	4I3792	0-up	4I3793	180.00	130.00	M	2344673	408.32	
	Bucket	7Y5100	0-up	4I1620	130.00	85.00	M	2465937	361.35	
	Lift	6E3529	0-up	6E3530	4.000	2.500	I	2295538	175.54	
	Stick	0875375	0-up	4I1505	180.00	130.00	M	2344673	408.32	
	Stick	1560674	0-up	4I1505	180.00	130.00	M	2344673	408.32	

INDUSTRIAL  
SEAL KITS

MOBILE  
SEAL KITS



CATERPILLAR

All manufacturer's names, part numbers and descriptions are used for reference purposes only. We do not imply that any part shown is the product of these manufacturers.

Tel.: (418) 688-3202  
Fax: (418) 688-4272

**KITS 139**

[www.sealsonline.com](http://www.sealsonline.com)



## CATERPILLAR

## EXCAVATOR

Model	Application	Cylinder Group	Engineering Design Change Level	Cylinder Assembly Part No.	Bore	Rod	I	Ref. Number RCAT-	\$
							M		
<b>365</b>	Boom	1559177	0-up	1438122	180.00	125.00	M	2159994	420.48
	Bucket	1438004	0-up	1475706	180.00	130.00	M	2159996	406.54
	Bucket	1438007	0-up	1475742	200.00	140.00	M	2159995	482.94
	Counterweight	1505913	0-up	1505914	130.00	90.00	M	2159986	314.84
	Stick	1438001	0-up	1475720	200.00	140.00	M	2159995	482.94
	Stick	1589114	0-up	1589116	200.00	140.00	M	2159995	482.94
<b>365B</b>	Boom	1559177	0-up	1438122	180.00	125.00	M	2159994	420.48
	Bucket	1438004	0-up	1475706	180.00	130.00	M	2159996	406.54
	Bucket	1438007	0-up	1475742	200.00	140.00	M	2159995	482.94
	Counterweight	1505913	0-up	1505914	130.00	90.00	M	2159986	314.84
	Stick	1438001	0-up	1475720	200.00	140.00	M	2159995	482.94
	Stick	1589114	0-up	1589116	200.00	140.00	M	2159995	482.94
<b>375</b>	Boom	1140596	0-up	1140597	200.00	140.00	M	2481187	544.94
	Boom	6E0018	0-up	6E0778	200.00	140.00	M	2481187	544.94
	Bucket	1578989	0-up	4I1727	160.00	110.00	M	2481172	404.33
	Bucket	4I1726	0-up	4I1727	160.00	110.00	M	2481172	404.33
	Bucket	6E0020	2-9	6E0817	220.00	150.00	M	2522427	788.84
	Bucket	6E0020	10-up	6E0817	220.00	150.00	M	2344667	637.44
	Bucket	6E0021	0-up	6E0810	200.00	140.00	M	2481187	544.94
	Lift	6E3529	0-up	6E3530	4.000	2.500	I	2295538	175.54
	Stick	1560664	0-up	1560665	220.00	150.00	M	2344667	637.44
	Stick	6E0019	2-9	6E0488	220.00	150.00	M	2522427	788.84
	Stick	6E0019	10-up	6E0488	220.00	150.00	M	2344667	637.44
<b>E110</b>	Boom	0936151	0-up	4I9465	110.00	70.00	M	0938385	209.70
	Bucket	0936181	0-up	4I9379	110.00	65.00	M	0938390	334.10
	Stick	0936167	0-up	4I9377	120.00	80.00	M	0938387	348.72
<b>E110B</b>	Boom	0995402	0-up	0995404	100.00	70.00	M	0995401	229.21
	Boom	0995403	0-up	0995404	100.00	70.00	M	0995401	229.21
	Stick	0855801	0-up	0995370	160.00	75.00	M	0995310	268.41
	Stick	0856657	0-up	0860175	100.00	75.00	M	0860174	266.84
	Stick	0861937	0-up	0995370	160.00	75.00	M	0995310	268.41
	Stick	0995369	0-up	0995374	160.00	75.00	M	0995310	268.41
<b>E120</b>	Boom LH	0958487	0-up	0967770	100.00	65.00	M	0967786	348.65
	Boom RH	0958486	0-up	0990360	100.00	65.00	M	0967786	348.65
	Bucket	0938997	0-up	0967717	100.00	65.00	M	0967625	332.85
	Stick	0938996	0-up	0967792	120.00	80.00	M	0967799	336.01
<b>E120B</b>	Boom	0990662	0-up	0990664	160.00	75.00	M	0995310	268.41
	Stick	0855740	0-up	0990683	120.00	80.00	M	0995311	286.45
	Stick	0856657	0-up	0860175	100.00	75.00	M	0860174	266.84
	Stick	0861868	0-up	0990683	120.00	80.00	M	0995311	286.45
	Stick	0990682	0-up	0990683	120.00	80.00	M	0995311	286.45

All manufacturer's names, part numbers and descriptions are used for reference purposes only. We do not imply that any part shown is the product of these manufacturers.

INDUSTRIAL SEAL KITS

MOBILE SEAL KITS

CATERPILLAR

## EXCAVATOR

## CATERPILLAR

Model	Application	Cylinder Group	Engineering Design Change Level	Cylinder Assembly Part No.	Bore	Rod	I	Ref. Number RCAT-	\$
							M		
<b>E140</b>	Boom	0937269	0-up	0937271	110.00	75.00	M	0937931	324.18
	Bucket	0937279	0-up	0937281	110.00	70.00	M	0937935	246.71
	Stick	0937956	0-up	0937958	120.00	80.00	M	0937932	354.21
<b>E180</b>	Boom LH	0941911	0-up	0941921	125.00	85.00	M	2465936	342.19
	Boom RH	0941926	0-up	0941921	125.00	85.00	M	2465936	342.19
	Bucket	0941946	0-up	0941951	125.00	85.00	M	2465936	342.19
	Stick	0941929	0-up	0941944	140.00	90.00	M	2481164	354.90
<b>E200B</b>	Boom LH	0967907	0-up	0966205	120.00	85.00	M	2465935	445.24
	Boom RH	0967908	0-up	0966205	120.00	85.00	M	2465935	445.24
	Bucket	0967909	0-up	0966462	115.00	65.00	M	2417617	364.47
<b>E240</b>	Stick	0967910	0-up	0966213	140.00	100.00	M	2481162	433.62
	Stick Long Reach	0993688	0-up	0994276	130.00	95.00	M	419390	361.75
	Boom LH	0941549	0-up	0941551	140.00	90.00	M	0939941	302.23
	Boom RH	0941550	0-up	0941551	140.00	90.00	M	0939941	302.23
	Bucket	0962391	0-up	0941561	140.00	90.00	M	0939941	302.23
<b>E240B</b>	Stick	0941406	0-up	0941407	150.00	100.00	M	0942697	252.76
	Boom	1R8082	0-up	0994132	140.00	90.00	M	0939941	302.23
	Boom LH	0996240	0-up	0994132	140.00	90.00	M	0939941	302.23
	Boom RH	0996941	0-up	0994132	140.00	90.00	M	0939941	302.23
<b>E300</b>	Bucket	0996233	0-up	0996234	140.00	90.00	M	0939941	302.23
	Bucket	1R5580	0-up	0990702	100.00	65.00	M	0995312	290.93
	Stick	0857679	0-up	0854817	150.00	100.00	M	0854847	349.47
	Stick	0996237	0-up	0994128	150.00	100.00	M	0942697	252.76
	Boom LH	0946493	0-up	0942824	150.00	100.00	M	0942697	252.76
	Boom RH	0946494	0-up	0942824	150.00	100.00	M	0942697	252.76
	Bucket	0962932	0-up	0942849	150.00	100.00	M	0942697	252.76
<b>E300B</b>	Stick	0962920	0-up	0946502	160.00	110.00	M	0942698	384.80
	Boom	1R7823	0-up	0998293	140.00	100.00	M	2481162	433.62
	Boom	419297	0-up	0855861	160.00	110.00	M	2481171	369.48
	Boom LH	0995577	0-up	0998293	140.00	100.00	M	2481162	433.62
<b>E450</b>	Boom RH	0995578	0-up	0998293	140.00	100.00	M	2481162	433.62
	Bucket	0995557	0-up	0998275	140.00	95.00	M	2417618	301.58
	Stick	0855554	0-up	0855861	160.00	110.00	M	2481171	369.48
<b>E650</b>	Bucket	0946192	0-up	0965618	170.00	120.00	M	0961766	952.61
	Stick	0946191	0-up	0965578	180.00	130.00	M	2460640	613.74
<b>E650</b>	Boom LH	0945019	0-up	0998423	200.00	140.00	M	0992030	407.54
	Boom RH	0945020	0-up	0998423	200.00	140.00	M	0992030	407.54
	Bucket	0945022	0-up	0878707	200.00	140.00	M	0992030	407.54
	Stick	0945021	0-up	0998445	215.00	160.00	M	0992031	708.35

INDUSTRIAL SEAL KITS

MOBILE SEAL KITS



CATERPILLAR

All manufacturer's names, part numbers and descriptions are used for reference purposes only. We do not imply that any part shown is the product of these manufacturers.

**Tel.: (514) 334-2220**  
**Fax: (514) 333-8329**

**KITS 141**

**www.sealsonline.com**

## CATERPILLAR

## EXCAVATOR

Model	Application	Cylinder Group	Engineering Design Change Level	Cylinder Assembly Part No.	Bore	Rod	I	Ref. Number RCAT-	\$
							M		
<b>E70</b>	Boom	0962312	0-up	0967038	120.00	70.00	M	0962159	308.55
	Bucket	0962314	0-up	0967047	90.00	60.00	M	0935249	303.32
	Stick	0962313	0-up	0967044	100.00	65.00	M	0935250	349.99
	Swing RH	0993023	0-up	0993932	100.00	65.00	M	0935250	349.99
<b>EL180</b>	Boom LH	0941911	0-up	0941921	125.00	85.00	M	2465936	342.19
	Boom RH	0941926	0-up	0941921	125.00	85.00	M	2465936	342.19
	Bucket	0941946	0-up	0941951	125.00	85.00	M	2465936	342.19
	Stick	0941929	0-up	0941944	140.00	90.00	M	2481164	354.90
<b>EL200B</b>	Boom LH	0967907	0-up	0966205	120.00	85.00	M	2465935	445.24
	Boom RH	0967908	0-up	0966205	120.00	85.00	M	2465935	445.24
	Bucket	0967909	0-up	0966462	115.00	65.00	M	2417617	364.47
	Bucket Clamshell	0993752	0-up	0993812	150.00	90.00	M	0856901	554.01
	Stick	0967910	0-up	0941931	140.00	100.00	M	2481162	433.62
	Stick Long Reach	0993688	0-up	0994276	130.00	95.00	M	419390	361.75
<b>EL240</b>	Boom LH	0941549	0-up	0941551	140.00	90.00	M	0939941	302.23
	Boom RH	0941550	0-up	0941551	140.00	90.00	M	0939941	302.23
	Bucket	0962391	0-up	0941561	140.00	90.00	M	0939941	302.23
	Stick	0941406	0-up	0941407	150.00	100.00	M	0942697	252.76
<b>EL240B</b>	Boom	1R8082	0-up	0994132	140.00	90.00	M	0939941	302.23
	Boom LH	0996240	0-up	0994132	140.00	90.00	M	0939941	302.23
	Boom RH	0996241	0-up	0994132	140.00	90.00	M	0939941	302.23
	Bucket	0993713	0-up	0990702	100.00	65.00	M	0995312	290.93
	Bucket	0996233	0-up	0996234	140.00	90.00	M	0939941	302.23
	Bucket	1R5580	0-up	0990702	100.00	65.00	M	0995312	290.93
	Stick	0857679	0-up	0854817	150.00	100.00	M	0854847	349.47
	Stick	0996237	0-up	0994128	150.00	100.00	M	0942697	252.76
	Stick	1R9164	0-up	1R9618	150.00	100.00	M	0854847	349.47
<b>EL300</b>	Boom LH	0946493	0-up	0942824	150.00	100.00	M	0942697	252.76
	Boom RH	0946494	0-up	0942824	150.00	100.00	M	0942697	252.76
	Bucket	0962932	0-up	0942849	150.00	100.00	M	0942697	252.76
	Stick	0962920	0-up	0946502	160.00	110.00	M	0942698	384.80
<b>EL300B</b>	Boom	1R7823	0-up	0998293	140.00	100.00	M	2481162	433.62
	Boom	419297	0-up	0855861	160.00	110.00	M	2481171	369.48
	Boom LH	0995577	0-up	0998293	140.00	100.00	M	2481162	433.62
	Boom RH	0995578	0-up	0998293	140.00	100.00	M	2481162	433.62
	Bucket	0995557	0-up	0998275	140.00	95.00	M	2417618	301.58
	Stick	0855554	0-up	0855861	160.00	110.00	M	2481171	369.48

All manufacturer's names, part numbers and descriptions are used for reference purposes only. We do not imply that any part shown is the product of these manufacturers.

INDUSTRIAL SEAL KITS

MOBILE SEAL KITS

CATERPILLAR

## EXCAVATOR

## CATERPILLAR

Model	Application	Cylinder Group	Engineering Design Change Level	Cylinder Assembly Part No.	Bore	Rod	I	Ref. Number RCAT-	\$
							M		
<b>M312</b>	Blade	1200409	0-up		-	-	M	1257006	239.24
	Blade	1421625	0-up		-	-	M	1257006	239.24
	Boom	1184979	0-up	1184999	100.00	70.00	M	2860113	330.16
	Boom	1184980	0-up	1184999	100.00	70.00	M	2860113	330.16
	Boom	1206311	0-up	1206300	130.00	70.00	M	2748318	345.30
	Bucket	1206358	0-up	1211993	90.00	65.00	M	2860114	348.99
	Governor	1127593	0-up		-	-	M	1494128	175.69
	Stabilizer	1200434	0-up		-	-	M	1259700	378.89
	Stick	1184978	0-up	1184997	100.00	70.00	M	2860113	330.16
<b>M315</b>	Blade	1200409	0-up		-	-	M	1257006	239.24
	Blade	1421625	0-up		-	-	M	1257006	239.24
	Boom	1134979	0-up	1134981	110.00	80.00	M	2605317	334.37
	Boom	1134989	0-up	1134981	110.00	80.00	M	2605317	334.37
	Boom	1148803	0-up	1148817	140.00	75.00	M	2605319	382.00
	Bucket	1149312	0-up	1149317	100.00	70.00	M	2860113	330.16
	Governor	1127593	0-up		-	-	M	1494128	175.69
	Stabilizer	1200434	0-up		-	-	M	1259700	378.89
	Stick	1141872	0-up	1141877	110.00	80.00	M	2605317	334.37
Stick	1586388	0-up	1141877	110.00	75.00	M	2605318	326.16	
<b>M318</b>	Blade	1112034	0-up		-	-	M	1183135	301.35
	Blade	1336935	0-up		-	-	M	1357927	317.48
	Boom	1124231	0-up	1126413	120.00	85.00	M	2580501	339.35
	Boom	1124241	0-up	1126413	120.00	85.00	M	2580501	339.35
	Boom	1124243	0-up	1126424	160.00	85.00	M	2580503	384.80
	Bucket	1124245	0-up	1126444	110.00	80.00	M	2605317	334.37
	Governor	1127593	0-up		-	-	M	1494128	175.69
	Material Handler	1233723	0-up	1260948	100.00	70.00	M	2860113	330.16
	Stabilizer	1336936	0-up		130.00	80.00	M	1357941	198.63
Stick	1124236	0-up	1126434	120.00	85.00	M	2580501	339.35	
Stick	1415981	0-up	1415984	110.00	80.00	M	2605317	334.37	
<b>M320</b>	Blade	1336935	0-up		-	-	M	1357927	317.48
	Boom	1279241	0-up	1358521	130.00	95.00	M	2330761	309.42
	Boom	1279243	0-up	1362220	170.00	100.00	M	2567093	424.22
	Boom	1283203	0-up	1358521	130.00	95.00	M	2330761	309.42
	Bucket	0875633	0-up	411040	120.00	85.00	M	2465938	326.16
	Governor	1127593	0-up		-	-	M	1494128	175.69
	Stabilizer	1336936	0-up		130.00	80.00	M	1357941	198.63
	Stick	1279242	0-up	1361530	140.00	100.00	M	2502485	417.41
	Stick	1386696	0-up	1439053	120.00	85.00	M	2502487	136.15

INDUSTRIAL  
SEAL KITS

MOBILE  
SEAL KITS



CATERPILLAR

All manufacturer's names, part numbers and descriptions are used for reference purposes only. We do not imply that any part shown is the product of these manufacturers.

Tel.: (905) 362-0889  
Fax: (888) 238-1664

**KITS 143**

[www.sealsonline.com](http://www.sealsonline.com)

## CATERPILLAR

## FOREST MACHINE

Model	Application	Cylinder Group	Engineering Design Change Level	Cylinder Assembly Part No.	Bore	Rod	I	Ref. Number RCAT-	\$
							M		
508	Boom	4T0863	0-1	4T2020	3.500	1.750	I	2401661	76.50
	Boom	4T0863	2-up	4T2020	3.500	1.750	I	2401881	56.93
	Lift LH	4T9394	0-1	4T9393	3.000	1.500	I	2465922	104.92
	Lift LH	4T9394	2-up	4T9393	3.000	1.500	I	2465913	64.72
	Lift RH	4T0826	0-1	4T2047	3.000	1.500	I	2465922	104.92
	Lift RH	4T0862	0-1	4T2047	3.000	1.500	I	2465922	104.92
	Lift RH	4T0862	2-up	4T2047	3.000	1.500	I	2465913	64.72
	Steering	4T0861	0-1	4T5558	3.250	1.500	I	7X2741	71.57
	Steering LH	4T0861	2-up	4T5558	3.250	1.500	I	2465919	109.15
	Steering RH	4T0860	2-up	4T2087	3.250	1.500	I	2465919	109.15
	Tong	4T0859	0-1	4T2107	4.500	2.250	I	2410897	108.72
	Tong	4T0859	2-up	4T2107	4.500	2.250	I	2417584	151.74
	515	Lift	1117951	0-up	1117952	4.000	2.000	I	2409538
Lift		1397547	0-up	1397548	4.000	2.000	I	2409538	71.05
Steering		1117474	0-3	1117476	3.000	1.750	I	2275350	29.94
Steering		1117474	4-up	1117476	3.000	1.750	I	2405524	131.68
Steering		1117475	0-3	1117477	3.000	1.750	I	2275350	29.94
Steering		1117475	4-6	1117477	3.000	1.750	I	2405524	131.68
Steering		1117475	7-up	1117477	3.000	1.750	I	2275350	29.94
517	Angling	1006174	0-up	1004536	3.500	1.750	I	2401881	56.93
	Lift	6E0365	0-up	9T8422	4.250	2.000	I	2408523	106.22
	Tilt	9T9557	0-up	9T9562	4.250	2.000	I	2409939	136.75
518	Lift	7J8925	0-12	7J8926	4.000	2.000	I	2406899	51.38
	Lift	7J8925	13-up	7J8926	4.000	2.000	I	2339205	57.79
	Lift	9T1773	0	9T2718	5.000	2.500	I	2430386	198.75
	Lift	9T1773	1-up	9T2718	5.000	2.500	I	2430387	179.76
	Steering	7J3349	4-16	7J3347	3.000	1.750	I	2402016	95.33
	Steering	7J3349	17-up	7J3347	3.000	1.750	I	2275350	29.94
	Steering	7J3350	4-17	7J3348	3.000	1.750	I	2402016	95.33
	Steering LH	7J3350	18-up	7J3348	3.000	1.750	I	2275350	29.948
	Steering RH	7J3349	4-16	7J3347	3.000	1.750	I	2402016	95.33
	Steering RH	7J3349	17-up	7J3347	3.000	1.750	I	2275350	29.94
	Tilt LH	9T1777	0	9T2734	4.250	2.250	I	2410898	115.59
	Tilt LH	9T1777	1-up	9T2734	4.250	2.250	I	2417579	147.89
	518C	Tilt RH	9T1772	0	9T2733	4.250	2.250	I	2410898
Tilt RH		9T1772	1-up	9T2733	4.250	2.250	I	2417579	147.89
518C	Lift	1117951	0-up	1117952	4.000	2.000	I	2409538	71.05
	Lift	1397547	0-up	1397548	4.000	2.000	I	2409538	71.05
	Lift	7J8925	0-12	7J8926	4.000	2.000	I	2406899	51.38
	Lift	7J8925	13-up	7J8926	4.000	2.000	I	2339205	57.79
	Steering	1117474	0-3	1117476	3.000	1.750	I	2275350	29.94
	Steering	1117474	4-up	1117476	3.000	1.750	I	2405524	131.68
	Steering	1117475	0-3	1117477	3.000	1.750	I	2275350	29.94
	Steering	1117475	4-6	1117477	3.000	1.750	I	2405524	131.68
	Steering	1117475	7-up	1117477	3.000	1.750	I	2275350	29.94

All manufacturer's names, part numbers and descriptions are used for reference purposes only. We do not imply that any part shown is the product of these manufacturers.

INDUSTRIAL SEAL KITS

MOBILE SEAL KITS

CATERPILLAR

## FOREST MACHINE

## CATERPILLAR

Model	Application	Cylinder Group	Engineering Design Change Level	Cylinder Assembly Part No.	Bore	Rod	I	Ref. Number RCAT-	\$
							M		
520D	Steering	7J3349	4-16	7J3347	3.000	1.750	I	2402016	95.33
	Steering	7J3349	17-up	7J3347	3.000	1.750	I	2275350	29.94
	Steering	7J3350	4-17	7J3348	3.000	1.750	I	2402016	95.33
	Steering LH	7J3350	18-up	7J3348	3.000	1.750	I	2275350	29.94
	Steering RH	7J3349	4-16	7J3347	3.000	1.750	I	2402016	95.33
	Steering RH	7J3349	17-up	7J3347	3.000	1.750	I	2275350	29.94
	Lift	1117951	0-up	1117952	4.000	2.000	I	2409538	71.05
Lift	1397547	0-up	1397548	4.000	2.000	I	2409538	71.05	
522C	Steering	7J3349	4-16	7J3347	3.000	1.750	I	2402016	95.33
	Steering	7J3349	17-up	7J3347	3.000	1.750	I	2275350	29.94
	Steering	7J3350	4-17	7J3348	3.000	1.750	I	2402016	95.33
	Steering LH	7J3350	18-up	7J3348	3.000	1.750	I	2275350	29.94
	Steering RH	7J3349	4-16	7J3347	3.000	1.750	I	2402016	95.33
	Steering RH	7J3349	17-up	7J3347	3.000	1.750	I	2275350	29.94
	Lift	1117951	0-up	1117952	4.000	2.000	I	2409538	71.05
Lift	1397547	0-up	1397548	4.000	2.000	I	2409538	71.05	
525	Steering	7J3349	4-16	7J3347	3.000	1.750	I	2402016	95.33
	Steering	7J3349	17-up	7J3347	3.000	1.750	I	2275350	29.94
	Steering	7J3350	4-17	7J3348	3.000	1.750	I	2402016	95.33
	Steering LH	7J3350	18-up	7J3348	3.000	1.750	I	2275350	29.94
	Steering RH	7J3349	4-16	7J3347	3.000	1.750	I	2402016	95.33
	Steering RH	7J3349	17-up	7J3347	3.000	1.750	I	2275350	29.94
	Lift	1117951	0-up	1117952	4.000	2.000	I	2409538	71.05
Lift	1397547	0-up	1397548	4.000	2.000	I	2409538	71.05	
525B	Steering	1117474	0-3	1117476	3.000	1.750	I	2275350	29.94
	Steering	1117474	4-up	1117476	3.000	1.750	I	2405524	131.68
	Steering	1117475	0-3	1117477	3.000	1.750	I	2275350	29.94
	Steering	1117475	4-6	1117477	3.000	1.750	I	2405524	131.68
	Steering	1117475	7-up	1117477	3.000	1.750	I	2275350	29.94
	Lift	1600492	0-up	1493470	4.000	2.250	I	2418921	152.31
	Lift	1418640	0-up	1418641	3.750	2.250	I	2350969	160.83
527	Lift	1607610	0-up	1607611	4.750	2.500	I	2285272	184.11
	Lift	6E0366	0-up	4T2099	4.750	2.500	I	2285272	184.11
	Lift								

INDUSTRIAL SEAL KITS

MOBILE SEAL KITS

CATERPILLAR

All manufacturer's names, part numbers and descriptions are used for reference purposes only. We do not imply that any part shown is the product of these manufacturers.

**Tel.: (204) 783-9617**  
**Fax: (204) 783-6091**

**KITS 145**

[www.sealsonline.com](http://www.sealsonline.com)

## CATERPILLAR

## FOREST MACHINE

Model	Application	Cylinder Group	Engineering Design Change Level	Cylinder Assembly Part No.	Bore	Rod	I	Ref. Number RCAT-	\$
							M		
<b>528</b>	Dozer	7J9902	12-up	7J9901	4.250	2.000	I	2408523	106.22
	Steering	9J5854	0-4		3.750	1.750	I	2402481	98.17
	Steering	9J5854	5-up	9J5853	3.750	1.750	I	1857033	126.18
	Steering	9J5856	0-4		3.750	1.750	I	2402481	98.17
	Steering	9J5856	5-up	9J5855	3.750	1.750	I	1857033	126.18
	Steering LH	7J9234	2-up	7J9236	3.500	1.500	I	2465914	96.40
	Steering RH	7J9233	2-up	7J9235	3.500	1.500	I	2465914	96.40
<b>528B</b>	Dozer	7J9902	12-up	7J9901	4.250	2.000	I	2408523	106.22
	Steering	9J5854	0-4		3.750	1.750	I	2402481	98.17
	Steering	9J5854	5-up	9J5853	3.750	1.750	I	1857033	126.18
	Steering	9J5856	0-4		3.750	1.750	I	2402481	98.17
	Steering	9J5856	5-up	9J5855	3.750	1.750	I	1857033	126.18
<b>530B</b>	Dozer	7J9902	12-up	7J9901	4.250	2.000	I	2408523	106.22
	Steering	9J5854	0-4		3.750	1.750	I	2402481	98.17
	Steering	9J5854	5-up	9J5853	3.750	1.750	I	1857033	126.18
	Steering	9J5856	0-4		3.750	1.750	I	2402481	98.17
	Steering	9J5856	5-up	9J5855	3.750	1.750	I	1857033	126.18
<b>535B</b>	Lift	1600492	0-up	1493470	4.000	2.250	I	2418921	152.31

All manufacturer's names, part numbers and descriptions are used for reference purposes only. We do not imply that any part shown is the product of these manufacturers.

INDUSTRIAL SEAL KITS

MOBILE SEAL KITS

CATERPILLAR

## FRONT - SHOVEL EXCAVATOR

## CATERPILLAR

Model	Application	Cylinder Group	Engineering Design Change Level	Cylinder Assembly Part No.	Bore	Rod	I	Ref. Number RCAT-	\$
							M		
5080	Boom	413915	0-up	413916	180.00	130.00	M	2159996	406.54
	Bottom Dump	1211518	0-up	1211519	160.00	90.00	M	2526101	327.35
	Stick	6E4272	0-2	6E4275	220.00	150.00	M	2522427	788.84
	Stick	6E4272	3-up	6E4275	220.00	150.00	M	2344667	637.44
5110	Bucket	6E0020	2-9	6E0817	220.00	150.00	M	2522427	788.84
	Bucket	6E0020	10-up	6E0817	220.00	150.00	M	2344667	637.44
	Bucket	6E5752	0-up	6E5753	6.000	3.000	I	2442053	295.18
	Bucket LH	1561050	2-up	1594495	7.500	6.000	I	2463445	488.73
	Bucket RH	1561049	1-up	1561051	7.500	6.000	I	2463445	488.73
	N/A	1259656	2-1	1466198	10.000	7.250	I	2481194	939.09
5130	Boom	1064338	1-up	1207608	11.000	7.000	I	2463446	707.52
	Boom	1076228	5-up	1076229	11.000	7.500	I	2395021	709.17
	Boom	1207610	0-up	1207608	11.000	7.000	I	2463446	707.52
	Bucket	1064340	0-up	1044188	7.500	6.000	I	2463443	445.57
	Bucket	1079625	0-5	1079626	8.500	6.500	I	2481190	484.26
	Bucket	1079625	6-up	1079626	8.500	6.500	I	2481192	586.10
	Bucket	1141169	0.4	1079626	8.500	6.500	I	2481190	484.26
	Bucket	1141169	5-up	1079626	8.500	6.500	I	2481192	586.10
	Bucket	6E5752	0-up	6E5753	6.000	3.000	I	2442053	295.18
	Bucket LH	1141169	0-4	1079626	8.500	6.500	I	2481190	484.26
	Bucket LH	1141169	5-up	1079626	8.500	6.500	I	2481192	586.10
	Bucket LH	1224967	0	1122054	7.500	6.000	I	2463443	445.57
	Bucket LH	1224967	1-up	1122054	7.500	6.000	I	2463445	488.73
	Bucket RH	1079625	0-5	1079626	8.500	6.500	I	2481190	484.26
	Bucket RH	1079625	6-up	1079626	8.500	6.500	I	2481192	586.10
	Bucket RH	1122053	0-3	1122054	7.500	6.000	I	2463443	445.57
	Bucket RH	1122053	4-up	1122054	7.500	6.000	I	2463445	488.73
	Stick	1036035	4-up	1036038	10.000	7.250	I	2481194	939.09
	Stick	1064339	0-3		7.500	6.000	I	2463443	445.57
Stick	1064339	4-up	1122050	7.500	6.000	I	2463445	488.73	
Stick	1122049	0-2	1122050	7.500	6.000	I	2463443	445.57	
Stick	1122049	3-up	1122050	7.500	6.000	I	2463445	488.73	
5130B	Boom	1076228	5-up	1076229	11.000	7.500	I	2395021	709.17
	Boom	1207610	0-up	1207608	11.000	7.000	I	2463446	707.52
	Bucket	1079625	0-5	1079626	8.500	6.500	I	2481190	484.26
	Bucket	1079625	6-up	1079626	8.500	6.500	I	2481192	586.10
	Bucket	1141169	0-4	1079626	8.500	6.500	I	2481190	484.26
	Bucket	1141169	5-up	1079626	8.500	6.500	I	2481192	586.10
	Bucket	6E5752	0-up	6E5753	6.000	3.000	I	2442053	295.18
	Bucket LH	1141169	0-4	1079626	8.500	6.500	I	2481190	484.26
	Bucket LH	1141169	5-up	1079626	8.500	6.500	I	2481192	586.10
	Bucket LH	1224967	0	1122054	7.500	6.000	I	2463443	445.57
	Bucket LH	1224967	1-up	1122054	7.500	6.000	I	2463445	488.73
	Bucket RH	1079625	0-5	1079626	8.500	6.500	I	2481190	484.26

All manufacturer's names, part numbers and descriptions are used for reference purposes only. We do not imply that any part shown is the product of these manufacturers.

Tel.: (780) 414-1871  
Fax: (780) 487-5419

**KITS 147**

[www.sealsonline.com](http://www.sealsonline.com)

INDUSTRIAL  
SEAL KITS

MOBILE  
SEAL KITS



CATERPILLAR



## CATERPILLAR

## FRONT - SHOVEL EXCAVATOR

Model	Application	Cylinder Group	Engineering Design Change Level	Cylinder Assembly Part No.	Bore	Rod	I	Ref. Number RCAT-	\$
							M		
5230	Bucket RH	1079625	6-up	1079626	8.500	6.500	I	2481192	586.10
	Bucket RH	1122053	0-3	1122054	7.500	6.000	I	2463443	445.57
	Bucket RH	1122053	4-up	1122054	7.500	6.000	I	2463445	488.73
	Stick	1036035	4-up	1036038	10.000	7.250	I	2481194	939.09
	Stick	1122049	0-2	1122050	7.500	6.000	I	2463443	445.57
	Stick	1122049	3-up	1122050	7.500	6.000	I	2463445	488.73
	Boom	1131923	0-up	1142856	13.000	8.750	I	2456822	1256.56
	Boom	1218909	0-up	1218911	13.500	8.750	I	2456823	951.23
	Bucket	1082136	2-up	1088011	10.000	7.250	I	2481194	939.09
	Bucket	1160437	0-up	1145499	10.000	7.000	I	2463448	575.87
	Bucket	1160439	0-up	1145499	10.000	7.000	I	2463448	575.87
	Bucket	1270867	0-up	1270869	10.000	7.250	I	2481194	939.09
5230B	Bucket	6E6435	2-up	6E6428	7.250	3.500	I	2456839	299.67
	Bucket LH	1160439	0-up	1145499	10.000	7.000	I	2463448	575.87
	Bucket RH	1160437	0-up	1145499	10.000	7.000	I	2463448	575.87
	Stick	1082135	4-up	1085163	10.000	7.250	I	2481194	939.09
	Stick	1131924	3-up		11.000	7.500	I	2395021	709.17
	Stick	1270865	0-up	1270868	10.000	7.250	I	2481194	939.09
	Boom	1131923	0-up	1142856	13.000	8.750	I	2456822	1256.56
	Boom	1218909	0-up	1218911	13.500	8.750	I	2456823	951.23
	Bucket	1160437	0-up	1145499	10.000	7.000	I	2463448	575.87
	Bucket	1160439	0-up	1145499	10.000	7.000	I	2463448	575.87
	Bucket	1270867	0-up	1270869	10.000	7.250	I	2481194	939.09
	Bucket	6E6435	2-up	6E6428	7.250	3.500	I	2456839	299.67
	Bucket LH	1160439	0-up	1145499	10.000	7.000	I	2463448	575.87
	Bucket RH	1160437	0-up	1145499	10.000	7.000	I	2463448	575.87
	Stick	1131924	3-up		11.000	7.500	I	2395021	709.17
	Stick	1270865	0-up	1270868	10.000	7.250	I	2481194	939.09

All manufacturer's names, part numbers and descriptions are used for reference purposes only. We do not imply that any part shown is the product of these manufacturers.

INDUSTRIAL SEAL KITS

MOBILE SEAL KITS



CATERPILLAR

## INTEGRATED TOOL CARRIER

## CATERPILLAR

INDUSTRIAL  
SEAL KITS

MOBILE  
SEAL KITS



CATERPILLAR

Model	Application	Cylinder Group	Engineering Design Change Level	Cylinder Assembly Part No.	Bore	Rod	I	Ref. Number RCAT-	\$
							M		
IT12	Lift	4T8579	0-up		1.500	-	I	1791715	14.91
	Lift	4T8580	0-up	4T9333	3.750	2.000	I	2406869	91.26
	Steering	1U4666	0-3	1U4665	2.750	1.500	I	2465912	52.03
	Steering	1U4666	4-up	1U4665	2.750	1.500	I	2465909	70.03
	Steering	9T5729	0-up		1.500	-	I	1791749	5.31
	Tilt	4T8581	0-up	4T9297	3.250	1.750	I	2401671	64.52
	Tilt	4T9427	0-up		1.500	-	I	1791749	5.31
	Tilt	9T5489	0-up	9T5292	3.250	1.750	I	2401671	64.52
IT12B	Lift	6E6398	0-up	6E6397	3.500	2.250	I	2350355	138.44
	Lift	9T5152	0-up	9T5295	4.000	2.250	I	2342591	62.17
	Steering	4T8579	0-up		1.500	-	I	1791715	14.91
	Steering	9T5729	0-up		1.500	-	I	1791749	5.31
	Steering	9T7209	0-2	9T7211	2.750	1.500	I	2465909	70.03
	Steering	9T7209	3-up	9T7211	2.750	1.500	I	2339204	60.29
	Steering	9T7210	0-2	9T7212	2.750	1.500	I	2465909	70.03
	Steering	9T7210	3-up	9T7212	2.750	1.500	I	2339204	60.29
	Steering LH	6E5900	0-2	6E5902	2.750	1.750	I	2402482	79.96
	Steering LH	6E5900	3-up	6E5902	2.750	1.750	I	2342595	152.34
	Steering LH	6E5973	0-up	6E5902	2.750	1.500	I	2339204	60.29
	Steering RH	6E5972	0-1	6E5971	2.750	1.750	I	2402482	79.96
	Steering RH	6E5972	2-up	6E5971	2.750	1.750	I	2342595	152.34
	Steering RH	6E5985	0-up	6E5971	2.750	1.500	I	2339204	60.29
Tilt	9T5151	0-up	9T4198	3.500	2.000	I	2281778	104.05	
IT12F	Lift	6E6398	0-up	6E6397	3.500	2.250	I	2350355	138.44
	Lift	9T5152	0-up	9T5295	4.000	2.250	I	2342591	62.17
	Steering	4T8579	0-up		1.500	-	I	1791715	14.91
	Steering	9T5729	0-up		1.500	-	I	1791749	5.31
	Steering	9T7209	0-2	9T7211	2.750	1.500	I	2465909	70.03
	Steering	9T7209	3-up	9T7211	2.750	1.500	I	2339204	60.29
	Steering	9T7210	0-2	9T7212	2.750	1.500	I	2465909	70.03
	Steering	9T7210	3-up	9T7212	2.750	1.500	I	2339204	60.29
	Steering LH	6E5900	0-2	6E5902	2.750	1.750	I	2402482	79.96
	Steering LH	6E5900	3-up	6E5902	2.750	1.750	I	2342595	152.34
	Steering LH	6E5973	0-up	6E5902	2.750	1.500	I	2339204	60.29
	Steering RH	6E5972	0-1	6E5971	2.750	1.750	I	2402482	79.96
	Steering RH	6E5972	2-up	6E5971	2.750	1.750	I	2342595	152.34
	Steering RH	6E5985	0-up	6E5971	2.750	1.500	I	2339204	60.29
Tilt	9T5151	0-up	9T4198	3.500	2.000	I	2281778	104.05	

All manufacturer's names, part numbers and descriptions are used for reference purposes only. We do not imply that any part shown is the product of these manufacturers.

Tel.: (403) 279-1871  
Fax: (403) 279-1821

**KITS 149**

[www.sealsonline.com](http://www.sealsonline.com)

## CATERPILLAR

## INTEGRATED TOOL CARRIER

Model	Application	Cylinder Group	Engineering Design Change Level	Cylinder Assembly Part No.	Bore	Rod	I	Ref. Number RCAT-	\$
							M		
IT14B	Lift	9T5152	0-up	9T5295	4.000	2.250	I	2342591	62.17
	Steering	4T8579	0-up		1.500	-	I	1791715	14.91
	Steering	9T5729	0-up		1.500	-	I	1791749	5.31
	Steering	9T7209	0-2	9T7211	2.750	1.500	I	2465909	70.03
	Steering	9T7209	3-up	9T7211	2.750	1.500	I	2339204	60.29
	Steering	9T7210	0-2	9T7212	2.750	1.500	I	2465909	70.03
	Steering	9T7210	3-up	9T7212	2.750	1.500	I	2339204	60.29
	Steering LH	6E5973	0-up	6E5902	2.750	1.500	I	2339204	60.29
	Steering RH	6E5985	0-up	6E5971	2.750	1.500	I	2339204	60.29
	Tilt	9T5151	0-up	9T4198	3.500	2.000	I	2281778	104.05
IT14F	Lift	6E6398	0-up	6E6397	3.500	2.250	I	2350355	138.44
	Steering	4T8579	0-up		1.500	-	I	1791715	14.91
	Steering	9T5729	0-up		1.500	-	I	1791749	5.31
	Steering LH	6E5900	0-2	6E5902	2.750	1.750	I	2402482	79.96
	Steering LH	6E5900	3-up	6E5902	2.750	1.750	I	2342595	152.34
	Steering RH	6E5972	0-1	6E5971	2.750	1.750	I	2402482	79.96
	Steering RH	6E5972	2-up	6E5971	2.750	1.750	I	2342595	152.34
	FK	1491381	0-up	1491384	3.500	2.000	I	2281778	104.05
IT14G	Lift	1116244	0-up	1116246	3.500	2.250	I	2350355	138.44
	Lift RH	1314401	0-up	1314404	3.500	2.250	I	2350355	138.44
	Lift RH	1314402	0-up	1314405	3.500	2.250	I	2350355	138.44
	Steering	1044187	0-up	1089325	2.500	1.500	I	2342592	101.85
IT18	Steering	4T8579	0-up		1.500	-	I	1791715	14.91
	Steering	9T8823	0-up		2.000	1.000	I	9T0418	81.94
	Lift	4T5544	0-up		2.000	1.000	I	9T0418	81.94
	Lift	4T8648	0-2	4T8649	4.250	2.250	I	2410898	115.59
	Lift	4T8648	3-up	9T4304	4.250	2.250	I	2417579	147.89
	Steering	1U3322	3-up	1U3323	3.000	1.500	I	2465913	64.72
	Steering	4T9981	0-up		2.000	1.000	I	9T0418	81.94
	Steering	6E0906	0-up		2.000	1.000	I	9T0418	81.94
	Steering	6E5392	0-up		2.000	1.000	I	9T0418	81.94
	Steering	9T2352	0-up		2.000	1.000	I	9T0418	81.94
IT18B	Tilt	4T4666	5-up	4T7435	4.000	2.500	I	2422548	168.67
	Lift	4T5544	0-up		2.000	1.000	I	9T0418	81.94
	Lift	4T9981	0-up		2.000	1.000	I	9T0418	81.94
	Lift	6E0906	0-up		2.000	1.000	I	9T0418	81.94
	Lift	6E5392	0-up		2.000	1.000	I	9T0418	81.94
	Lift	6E5393	0-up		2.000	1.000	I	9T0418	81.94
	Lift	9T2352	0-up		2.000	1.000	I	9T0418	81.94
	Lift	9T5030	0-up	9T5032	4.750	2.500	I	2285272	184.11
	Steering	1U3322	3-up	1U3323	3.000	1.500	I	2465913	64.72
	Steering	9T8485	0-up		2.000	1.000	I	9T0418	81.94
	Tilt	9T5267	0-up	4T7435	4.000	2.000	I	2339205	57.79

All manufacturer's names, part numbers and descriptions are used for reference purposes only. We do not imply that any part shown is the product of these manufacturers.

INDUSTRIAL SEAL KITS

MOBILE SEAL KITS

TOOL

CATERPILLAR

## INTEGRATED TOOL CARRIER

## CATERPILLAR

Model	Application	Cylinder Group	Engineering Design Change Level	Cylinder Assembly Part No.	Bore	Rod	I	Ref. Number RCAT-	\$
							M		
IT18F	Lift	1007020	0-2	1007023	4.750	2.500	I	2430398	156.38
	Lift	1007020	3-up	1007023	4.750	2.500	I	2341948	188.00
	Lift	1341379	0-up		4.750	2.500	I	2341948	188.00
	Lift	9T8823	0-up		2.000	1.000	I	9T0418	81.94
	Steering	6E1114	0-up		2.000	1.000	I	9T0418	81.94
	Steering	9T2637	2-up	9T2638	2.750	1.500	I	2339204	60.29
	Tilt	1341380	0-up		4.000	2.000	I	2339205	57.79
	Tilt	9T7026	0-up	9T7027	4.000	2.000	I	2339205	57.79
IT24F	Dozer LH	1262492	0-up	1262493	4.000	2.000	I	2339205	57.79
	Lift	1007020	0-2	1007023	4.750	2.500	I	2430398	156.38
	Lift	1007020	3-up	1007023	4.750	2.500	I	2341948	188.00
	Lift	1067020	0-2	1007023	4.750	2.500	I	2430398	156.38
	Lift	1341379	0-up		4.750	2.500	I	2341948	188.00
	Lift	1342327	0-up	1342328	4.000	2.250	I	2418921	152.31
	Lift	9T3937	4-up	9T3938	4.000	2.250	I	2418921	152.31
	Lift	9T8823	0-up		2.000	1.000	I	9T0418	81.94
	Steering	9T2637	2-up	9T2638	2.750	1.500	I	2339204	60.29
	Tilt	1107845	0-1	1107846	4.500	2.500	I	2435798	162.95
	Tilt	1107845	2-up	1107846	4.500	2.500	I	2310898	180.71
	Tilt	1341380	0-up	1341387	4.000	2.000	I	2339205	57.79
	Tilt	1341381	0-up	1341388	4.000	2.000	I	2339205	57.79
	Tilt	1342671	0-up	1342670	4.500	2.500	I	2310898	180.71
	Tilt	6E1114	0-up		2.000	1.000	I	9T0418	81.94
	Tilt	6E4651	0-3	6E4652	4.500	2.500	I	2435798	162.95
	Tilt	6E4651	4-up	6E4652	4.500	2.500	I	2310898	180.71
	Tilt	9T7026	0-up	9T7027	4.000	2.000	I	2339205	57.79
IT28	Lift	3G2991	4-6	9T4305	4.750	2.500	I	2285271	156.82
	Lift	3G2991	7-up	9T4305	4.750	2.500	I	2285272	184.11
	Steering	3G3501	0-7	3G3316	3.000	1.500	I	2465922	104.92
	Steering	3G3501	8-up	3G3316	3.000	1.500	I	2465913	64.72
	Steering	4T9981	0-up		2.000	1.000	I	9T0418	81.94
	Steering	6E0906	0-up		2.000	1.000	I	9T0418	81.94
	Steering	6E5392	0-up		2.000	1.000	I	9T0418	81.94
	Steering	9T2352	0-up		2.000	1.000	I	9T0418	81.94
	Tilt	4T5544	0-up		2.000	1.000	I	9T0418	81.94
	Tilt	4T5545	0-2	4T5788	4.250	2.500	I	2422546	154.91
	Tilt	4T5545	3-up	4T5788	4.250	2.500	I	2430393	153.28
IT28B	Lift	3G2991	4-6	9T4305	4.750	2.500	I	2285271	156.82
	Lift	3G2991	7-up	9T4305	4.750	2.500	I	2285272	184.11
	Lift	4T8648	0-2	4T8649	4.250	2.250	I	2410898	115.59
	Lift	4T8648	3-up	9T4304	4.250	2.250	I	2417579	147.89
	Steering	1U3322	3-up	1U3323	3.000	1.500	I	2465913	64.72
	Steering	3G3501	0-7	3G3316	3.000	1.500	I	2465922	104.92

All manufacturer's names, part numbers and descriptions are used for reference purposes only. We do not imply that any part shown is the product of these manufacturers.

Tel.: (604) 278-6808  
Fax: (604) 278-6180

**KITS 151**

[www.sealsonline.com](http://www.sealsonline.com)

INDUSTRIAL  
SEAL KITS

MOBILE  
SEAL KITS

MOBILE  
SEAL KITS

CATERPILLAR

## CATERPILLAR

## INTEGRATED TOOL CARRIER

Model	Application	Cylinder Group	Engineering Design Change Level	Cylinder Assembly Part No.	Bore	Rod	I	Ref. Number RCAT-	\$
							M		
	Steering	3G3501	8-up	3G3316	3.000	1.500	I	2465913	64.72
	Steering	4T9981	0-up		2.000	1.000	I	9T0418	81.94
	Steering	6E0906	0-up		2.000	1.000	I	9T0418	81.94
	Steering	6E5392	0-up		2.000	1.000	I	9T0418	81.94
	Steering	6E5393	0-up		2.000	1.000	I	9T0418	81.94
	Steering	9T8485	0-up		2.000	1.000	I	9T0418	81.94
	Tilt	3G6571	0-2	3G6570	4.750	2.500	I	2285271	156.82
	Tilt	3G6571	3-up	3G6570	4.750	2.500	I	2285272	184.11
	Tilt	4T5544	0-up		2.000	1.000	I	9T0418	81.94
	Tilt	4T5545	0-2	4T5788	4.250	2.500	I	2422546	154.91
	Tilt	4T5545	3-up	4T5788	4.250	2.500	I	2430393	153.28
IT28F	Lift	1341384	0-up	1341391	4.750	2.500	I	2341948	188.00
	Lift	9T6788	0-5	1007023	4.750	2.500	I	2430398	156.38
	Lift	9T6788	6-up	1007023	4.750	2.500	I	2341948	188.00
	Lift	9T8823	0-up		2.000	1.000	I	9T0418	81.94
	Steering	6E1114	0-up		2.000	1.000	I	9T0418	81.94
	Steering	9T6646	2-up	9T6674	2.750	1.500	I	2339204	60.29
	Tilt	1341385	0-up	1341392	4.000	2.000	I	2339205	57.79
Tilt	9T6929	0-up	9T6928	4.000	2.000	I	2339205	57.79	
IT28G	Lift	1191060	1-up	1191062	4.750	2.500	I	2341948	188.00
	Lift	6E1114	0-up		2.000	1.000	I	9T0418	81.94
	Lift	9T8823	0-up		2.000	1.000	I	9T0418	81.94
	Steering LH	1250374	0-up	1250376	2.750	1.500	I	2339204	60.29
	Steering RH	1250373	0-up	1250375	2.750	1.500	I	2339204	60.29
	Tilt	1191852	0-up	1191853	4.000	2.000	I	2339205	57.79
	Tilt	1273020	0-up	1273021	4.000	2.000	I	2339205	57.79
IT38F	Lift	1148131	1-up	1148132	4.750	3.000	I	2275349	174.19
	Steering	1050094	0-up	1050097	3.000	1.750	I	2275350	29.94
	Tilt	1156963	0-up	1156964	4.500	2.750	I	2275348	160.28
IT38G	Lift	1148131	1-up	1148132	4.750	3.000	I	2275349	174.19
	Steering	1050094	0-up	1050097	3.000	1.750	I	2275350	29.94
	Steering	1393312	0-up	1393313	3.000	1.750	I	2275350	29.94
	Tilt	1156963	0-up	1156964	4.500	2.750	I	2275348	160.28
IT62G	Lift RH	1188296	0-up	1250028	6.000	3.000	I	2281793	139.57
	Lift RH	1250024	0-up	1250028	6.000	3.000	I	2281793	139.57
	Steering	1188288	0-up	1195955	3.500	1.750	I	2401881	56.93
	Tilt	1349397	0-up	1349399	5.250	3.000	I	2281776	104.48

All manufacturer's names, part numbers and descriptions are used for reference purposes only. We do not imply that any part shown is the product of these manufacturers.

INDUSTRIAL SEAL KITS

MOBILE SEAL KITS

TOOL

CATERPILLAR

## LANDFILL COMPACTOR

## CATERPILLAR

Model	Application	Cylinder Group	Engineering Design Change Level	Cylinder Assembly Part No.	Bore	Rod	I	Ref. Number RCAT-	\$
							M		
<b>816</b>	Lift	4J9233	0-up	4J9655	4.500	2.000	I	2386882	98.97
	Steering	7J9355	4-5	7J9353	4.000	2.000	I	2378277	138.07
	Steering	7J9356	0-6	7J9354	4.000	2.000	I	2378277	138.07
<b>816B</b>	Dozer	1U2088	0-5	1U2087	4.750	2.500	I	2285271	156.82
	Dozer	1U2088	6-up	1U2087	4.750	2.500	I	2285272	184.11
	Steering	4T1574	0-2	4T1580	4.000	2.000	I	2406899	51.38
	Steering	4T1574	3-up	4T1580	4.000	2.000	I	2339205	57.79
	Steering	6E5024	0-up	6E5025	4.000	2.000	I	2409538	71.05
<b>816F</b>	Dozer	1U2088	0-5	1U2087	4.750	2.500	I	2285271	156.82
	Dozer	1U2088	6-up	1U2087	4.750	2.500	I	2285272	184.11
	Steering	4T1574	0-2	4T1580	4.000	2.000	I	2406899	51.38
	Steering	4T1574	3-up	4T1580	4.000	2.000	I	2339205	57.79
	Steering	6E5024	0-up	6E5025	4.000	2.000	I	2409538	71.05
<b>826B</b>	Lift	7K9401	0-up		5.000	2.250	I	2410895	164.05
	Lift	8J2650	0-up	8J3508	5.000	2.000	I	2386718	89.61
	Steering	7J9718	0-up	7J9717	5.000	2.250	I	2410895	164.05
<b>826C</b>	Dozer	9T3855	0-up		1.500	-	I	9T4918	182.44
	Dozer	9T3856	0-up		1.500	-	I	1791746	182.44
	Lift	9J7111	3-4	3G2898	5.500	2.500	I	2430381	94.36
	Lift	9J7111	5-up	3G2898	5.500	2.500	I	2422539	164.15
	Steering	9J7086	3-7	9J7088	5.000	2.250	I	2410895	164.05
	Steering	9J7086	8-up	9J7088	5.000	2.250	I	2417578	161.68
	Steering	9J7087	3-7	9J7088	5.000	2.250	I	2410895	164.05
	Steering	9J7087	8-up	9J7088	5.000	2.250	I	2417578	161.68
<b>826G</b>	Dozer	1164842	1-up	1164839	4.750	3.000	I	2275349	174.19
	Steering	1175151	0-up	1174566	4.500	2.500	I	2435806	189.12
<b>836</b>	Dozer	1326835	0-up	1326836	6.500	3.250	I	2450597	290.89
	Lift	6J1272	0-3	6J1271	6.500	2.500	I	2422554	110.56
	Lift	6J1272	4-up	6J1271	6.500	2.500	I	2435803	179.61
	Steering	9J8156	4-up	8J8166	5.000	2.250	I	2417578	161.68
	Steering	9J8165	0-3	8J8166	5.000	2.250	I	2410895	164.05
	Steering	9J8165	4-up	8J8166	5.000	2.250	I	2417578	161.68

All manufacturer's names, part numbers and descriptions are used for reference purposes only. We do not imply that any part shown is the product of these manufacturers.

**Tel.: (418) 688-3202**  
**Fax: (418) 688-4272**

**KITS 153**

[www.sealsonline.com](http://www.sealsonline.com)

INDUSTRIAL  
SEAL KITS

MOBILE  
SEAL KITS



CATERPILLAR

## CATERPILLAR

## MOTOR GRADER

Model	Application	Cylinder Group	Engineering Design Change Level	Cylinder Assembly Part No.	Bore	Rod	I	Ref. Number RCAT-	\$
							M		
12G	Articulation	8J0546	0-up		3.000	1.750	I	2402016	95.33
	Articulation	9T2453	0-up	9T2452	3.000	1.750	I	2275350	29.94
	Articulation	9T8784	0-up	9T2452	3.000	1.750	I	2275350	29.94
	Backhoe Stick/Blade Shift	8J0028	0-up		3.000	1.750	I	2402016	95.33
	Blade	3G5223	0-up	8J6381	3.250	2.000	I	2386661	64.88
	Blade	8J6380	2-up	8J6381	3.250	2.000	I	2386661	64.88
	Blade	9T2472	0-up	9T2466	3.000	2.000	I	2384462	64.98
	Blade Tip	6E1549	0-up	6E1550	2.750	1.500	I	2339204	60.29
	Blade Tip	8J0024	3-up	8J0023	2.750	1.500	I	2465912	52.03
	Blade Tip	9J3466	0-up	9J3465	2.750	1.500	I	2465912	52.03
	Blade Tip	9T2461	1-4	9T2460	2.750	1.500	I	2465909	70.03
	Blade Tip	9T2461	5-up	9T2460	2.750	1.500	I	2339204	60.29
		Conveyor Swing	3G5224	0-up	3G5488	3.250	2.000	I	2386661
Conveyor Swing		8J6367	2-up	8J6368	3.250	2.000	I	2386661	64.88
Conveyor Swing		9T2549	0-up	9T2898	3.000	2.000	I	2384462	64.98
Ripper		1137754	0-up	1137755	4.000	2.000	I	2339205	57.79
Ripper		8J1658	0-4	8J1657	4.000	2.000	I	2406899	51.38
Ripper		8J1658	5-up	8J1657	4.000	2.000	I	2339205	57.79
Scarifier		3G1853	1-up	3G1852	3.000	1.750	I	2402016	95.33
Scarifier		8J7321	0-4	8J7322	3.000	1.500	I	2465922	104.92
Scarifier		8J7321	5-up	8J7322	3.000	1.500	I	2465913	64.72
Scarifier		9T2554	0-up	9T2664	3.000	1.750	I	2275350	29.94
Scarifier		9T6951	0-up	9T2664	3.000	1.750	I	2275350	29.94
Sideshift		1052094	0-up	9T2482	3.000	1.750	I	2275350	29.94
		Sideshift	9T2483	0-up	9T2482	3.000	1.750	I	2275350
	Steering	8J5538	0-2		2.500	1.500	I	2465911	51.23
	Steering	8J8820	0-1		2.500	1.500	I	2465911	51.23
	Steering LH	3G8070	0-up	3G8072	2.500	1.500	I	2465911	51.23
	Steering LH	8J8820	1-up	8J8821	2.500	1.500	I	2465911	51.23
	Steering LH	9T2395	0-up	9T2394	2.250	1.500	I	2465916	41.15
	Steering RH	3G8069	0-up	3G8071	2.500	1.500	I	2465911	51.23
	Steering RH	8J5538	2-up	8J6218	2.500	1.500	I	2465911	51.23
	Steering RH	9T2393	0-up	9T2392	2.250	1.500	I	2465916	41.15
	Wheel Lean	1219242	0-up	1231076	3.500	2.000	I	2281778	104.05
	Wheel Lean	3G4752	0-up	3G4754	3.500	1.500	I	2465914	96.40
	Wheel Lean	8J5539	1-up	8J6671	3.500	1.500	I	2465914	96.40
	12H	Wheel Lean	9T2520	0-up	9T2521	3.500	1.500	I	2465917
Articulation		6E1560	0-up	6E1561	3.000	1.750	I	2275350	29.94
Articulation		9T8784	0-up	9T2452	3.000	1.750	I	2275350	29.94
Blade		1324929	0-up	1324928	3.000	2.000	I	2384462	64.98
Blade Tip		6E1549	0-up	6E1550	2.750	1.500	I	2339204	60.29
Conveyor Swing		6E1343	0-up	6E1344	3.000	2.000	I	2384462	64.98
Ripper		1137754	0-up	1137755	4.000	2.000	I	2339205	57.79
Scarifier		9T2554	0-up	9T2664	3.000	1.750	I	2275350	29.94
Scarifier		9T6951	0-up	9T2664	3.000	1.750	I	2275350	29.94
Sideshift		1125575	0-up	9T2482	3.000	1.750	I	2275350	29.94
Steering LH		9T2395	0-up	9T2394	2.250	1.500	I	2465916	41.15

All manufacturer's names, part numbers and descriptions are used for reference purposes only. We do not imply that any part shown is the product of these manufacturers.

INDUSTRIAL SEAL KITS

MOBILE SEAL KITS



CATERPILLAR

## MOTOR GRADER

## CATERPILLAR

Model	Application	Cylinder Group	Engineering Design Change Level	Cylinder Assembly Part No.	Bore	Rod	I	Ref. Number RCAT-	\$
							M		
14G	Steering RH	9T2393	0-up	9T2392	2.250	1.500	I	2465916	41.15
	Wheel Lean	1219242	0-up	1231076	3.500	2.000	I	2281778	104.05
	Wheel Lean	9T2520	0-up	9T2521	3.500	1.500	I	2465917	152.28
	Articulation	1U2704	0-up	1U3112	3.500	2.000	I	2407308	88.69
	Articulation	6E2446	0-up	9T2878	3.500	2.000	I	2281778	104.05
	Articulation	6E4724	0-up	6E4725	3.500	2.000	I	2281778	104.05
	Articulation	9T2879	0-up	9T2878	3.500	2.000	I	2281778	104.05
	Backhoe Stick/Blade Shift	8J6359	1-up	8J6360	3.750	2.250	I	2410900	76.69
	Blade	3G5227	0-up		3.750	2.250	I	2410900	76.69
	Blade	8J6010	1-up	8J6011	3.750	2.250	I	2410900	76.69
Blade	9T2703	0-up	9T2702	3.500	2.250	I	2350355	138.44	
	Blade Tip	9T3198	0-up	9T3197	4.000	2.000	I	2339205	57.79
	Blade Tip	9T8944	0-up	9T8943	4.000	2.000	I	2339205	57.79
	Conveyor Swing	1574679	0-up	1574684	3.500	2.250	I	2350355	138.44
	Conveyor Swing	3G5228	0-up	3G5694	3.750	2.250	I	2410900	76.69
	Conveyor Swing	8J6250	1-up	8J6251	3.750	2.250	I	2410900	76.69
	Conveyor Swing	9T2696	0-up	9T2695	3.500	2.250	I	2350355	138.44
	Drawbar Tip	8J6256	0-up		3.000	1.750	I	2402016	95.33
	Ripper	1135264	0-1	1144776	5.000	2.500	I	2430384	193.35
	Ripper	1135264	2-up	1144776	5.000	2.500	I	2275347	90.43
	Ripper	3G1762	0-up	3G1761	5.000	2.500	I	2430386	198.75
Ripper	3G5189	0	3G5188	5.000	2.500	I	2430386	198.75	
Ripper	3G5189	1-up	3G5188	5.000	2.500	I	2422542	202.87	
	Sideshift	4T0340	3-up	4T0341	4.000	2.500	I	2422548	168.67
	Sideshift	9T3206	0-6	9T3209	4.000	2.500	I	2422548	168.67
	Sideshift	9T3206	7-up	9T3209	4.000	2.500	I	2341949	153.01
	Steering LH	3G7644	0-up	3G7646	2.750	1.500	I	2465912	52.03
	Steering LH	9J0541	0-up	9J0540	2.750	1.500	I	2465912	52.03
	Steering LH	9T1721	0-6	9T2806	2.750	1.750	I	2402484	99.87
	Steering LH	9T1721	7-up	9T2806	2.750	1.750	I	2405500	145.81
	Steering LH	9T2438	0-up	3G7646	2.750	1.750	I	2404713	84.99
	Steering RH	3G7643	0-up	3G7645	2.750	1.500	I	2465912	52.03
	Steering RH	8J5386	1-up	8J6246	2.750	1.500	I	2465912	52.03
Steering RH	9T1301	0-6	9T2686	2.750	1.750	I	2402484	99.87	
Steering RH	9T1301	7-up	9T2686	2.750	1.750	I	2405500	145.81	
14H	Steering RH	9T2437	0-up	3G7645	2.750	1.750	I	2404713	84.99
	Tip	4T0379	0-3	4T2659	4.000	2.000	I	2406899	51.38
	Tip	4T0379	4-up	4T2659	4.000	2.000	I	2339205	57.79
	Wheel Lean	1219243	0-up	1231076	3.500	2.000	I	2281778	104.05
	Wheel Lean	3G4751	0-up	3G4754	3.500	1.500	I	2465914	96.40
	Wheel Lean	8J5385	1-up	8J6265	3.500	1.500	I	2465914	96.40
	Wheel Lean	9T3219	0-up	9T2521	3.500	1.500	I	2465917	152.28
	Articulation	6E2446	0-up	9T2878	3.500	2.000	I	2281778	104.05
	Articulation	6E4724	0-up	6E4725	3.500	2.000	I	2281778	104.05
	Articulation	9T2879	0-up	9T2878	3.500	2.000	I	2281778	104.05
Blade	9T2703	0-up	9T2702	3.500	2.250	I	2350355	138.44	

INDUSTRIAL SEAL KITS

MOBILE SEAL KITS



CATERPILLAR

All manufacturer's names, part numbers and descriptions are used for reference purposes only. We do not imply that any part shown is the product of these manufacturers.

**Tel.: (514) 334-2220**  
**Fax: (514) 333-8329**

**KITS 155**

**www.sealsonline.com**



## CATERPILLAR

## MOTOR GRADER

Model	Application	Cylinder Group	Engineering Design Change Level	Cylinder Assembly Part No.	Bore	Rod	I	Ref. Number RCAT-	\$
							M		
	Blade Tip	9T3198	0-up	9T3197	4.000	2.000	I	2339205	57.79
	Blade Tip	9T8944	0-up	9T8943	4.000	2.000	I	2339205	57.79
	Conveyor Swing	1574679	0-up	1574684	3.500	2.250	I	2350355	138.44
	Conveyor Swing	9T2696	0-up	9T2695	3.500	2.250	I	2350355	138.44
	Ripper	1135264	0-1	1144776	5.000	2.500	I	2430384	193.35
	Ripper	1135264	2-up	1144776	5.000	2.500	I	2275347	90.43
	Sideshift	9T3206	0-6	9T3209	4.000	2.500	I	2422548	168.67
	Sideshift	9T3206	7-up	9T3209	4.000	2.500	I	2341949	153.01
	Steering LH	9T1721	0-6	9T2806	2.750	1.750	I	2402484	99.87
	Steering LH	9T1721	7-up	9T2806	2.750	1.750	I	2405500	145.81
	Steering RH	9T1301	0-6	9T2686	2.750	1.750	I	2402484	99.87
	Steering RH	9T1301	7-up	9T2686	2.750	1.750	I	2405500	145.81
<b>16</b>	Wheel Lean	1219243	0-up	1231076	3.500	2.000	I	2281778	104.05
	Wheel Lean	9T3219	0-up	9T2521	3.500	1.500	I	2465917	152.28
	Blade LH	6J5844	0-up	6J5839	5.000	2.500	I	2422553	125.55
	Blade RH	6J5843	0-up	6J5839	5.000	2.500	I	2422553	125.55
	Steering	5J1931	0-up	5J1930	5.000	2.000	I	2408479	71.65
	Tip	6J9731	0-up	6J9728	4.000	1.500	I	2465910	88.38
<b>16G</b>	Tip	6J9732	0-up	6J9728	4.000	1.500	I	2465910	88.38
	Articulation	1U1649	5-up	1U1746	4.000	2.500	I	2422548	168.67
	Articulation	9T3050	0-6	9T3055	4.000	2.500	I	2422548	168.67
	Articulation	9T3050	7-up	9T3055	4.000	2.500	I	2341949	153.01
	Backhoe Stick/Blade Shift	8J5568	0-6	8J5567	4.250	2.500	I	2422546	154.91
	Backhoe Stick/Blade Shift	8J5568	7-up	8J5567	4.250	2.500	I	2430393	153.28
	Blade	3G5229	0-5	3G7424	4.250	2.500	I	2422546	154.91
	Blade	3G5229	6-up	3G7424	4.250	2.500	I	2430393	153.28
	Blade	9T3106	0-6	9T3109	4.000	2.500	I	2422548	168.67
	Blade	9T3106	7-up	9T3109	4.000	2.500	I	2341949	153.01
	Blade Tip	9T3198	0-up	9T3197	4.000	2.000	I	2339205	57.79
	Blade Tip	9T8944	0-up	9T8943	4.000	2.000	I	2339205	57.79
	Conveyor Swing	3G5230	0-4	3G5699	4.250	2.500	I	2422546	154.91
	Conveyor Swing	3G5230	5-up	3G5699	4.250	2.500	I	2430393	153.28
	Conveyor Swing	9T3312	0-6	9T3315	4.000	2.500	I	2422548	168.67
Conveyor Swing	9T3312	7-up	9T3315	4.000	2.500	I	2341949	153.01	
	Drawbar Tip	8J3761	1-up	8J3762	3.000	1.750	I	2402016	95.33
	Lift	8J5827	1-up	8J5826	4.250	2.500	I	2422546	154.91
	Ripper	1135264	0-1	1144776	5.000	2.500	I	2430384	193.35
	Ripper	1135264	2-up	1144776	5.000	2.500	I	2275347	90.43
	Ripper	3G1853	0-up	3G1761	5.000	2.500	I	2430386	198.75
	Ripper	3G5189	0	3G5188	5.000	2.500	I	2430386	198.75
	Ripper	3G5189	1-up	3G5188	5.000	2.500	I	2422542	202.87
	Sideshift	4T0340	3-up	4T0341	4.000	2.500	I	2422548	168.67
	Sideshift	9T3206	0-6	9T3209	4.000	2.500	I	2422548	168.67
	Sideshift	9T3206	7-up	9T3209	4.000	2.500	I	2341949	153.01
	Steering LH	3G7599	0-up	3G7601	3.000	1.750	I	2402016	95.33
	Steering LH	8J3612	1-up	8J5515	3.000	1.750	I	2402016	95.33

All manufacturer's names, part numbers and descriptions are used for reference purposes only. We do not imply that any part shown is the product of these manufacturers.

INDUSTRIAL SEAL KITS

MOBILE SEAL KITS



CATERPILLAR

## MOTOR GRADER

## CATERPILLAR

Model	Application	Cylinder Group	Engineering Design Change Level	Cylinder Assembly Part No.	Bore	Rod	I	Ref. Number RCAT-	\$	
							M			
	Steering LH	9T2854	0-8	9T2852	2.750	1.750	I	2402482	79.96	
	Steering LH	9T2854	9-up	9T2852	2.750	1.750	I	2342595	152.34	
	Steering RH	3G7600	0-up	3G7602	3.000	1.750	I	2402016	95.33	
	Steering RH	8J8411	0-up	8J8459	3.000	1.750	I	2402016	95.33	
	Steering RH	9T2853	0-8	9T2851	2.750	1.750	I	2402482	79.96	
	Steering RH	9T2853	9-up	9T2851	2.750	1.750	I	2342595	152.34	
	Tip	4T0379	0-3	4T2659	4.000	2.000	I	2406899	51.38	
	Tip	4T0379	4-up	4T2659	4.000	2.000	I	2339205	57.79	
	Wheel Lean	1219243	0-up	1231077	4.000	2.250	I	2281778	104.05	
	Wheel Lean	3G4750	0-up	3G4756	4.000	1.750	I	2401905	93.93	
	Wheel Lean	8J3613	0-up		4.000	1.750	I	2404819	109.77	
	Wheel Lean	9T3492	0-up	9T3497	4.000	1.750	I	2404819	109.77	
	16H	Articulation	9T3050	0-6	9T3055	4.000	2.500	I	2422548	168.67
		Articulation	9T3050	7-up	9T3055	4.000	2.500	I	2341949	153.01
Blade		9T3106	0-6	9T3109	4.000	2.500	I	2422548	168.67	
Blade		9T3106	7-up	9T3109	4.000	2.500	I	2341949	153.01	
Blade Tip		9T3198	0-up	9T3197	4.000	2.000	I	2339205	57.79	
Blade Tip		9T8944	0-up	9T8943	4.000	2.000	I	2339205	57.79	
Conveyor Swing		9T3312	0-6	9T3315	4.000	2.500	I	2422548	168.67	
Conveyor Swing		9T3312	7-up	9T3315	4.000	2.500	I	2341949	153.01	
Ripper		1135264	0-1	1144776	5.000	2.500	I	2430384	193.35	
Ripper		1135264	2-up	1144776	5.000	2.500	I	2275347	90.43	
Sideshift	9T3206	0-6	9T3209	4.000	2.500	I	2422548	168.67		
	Sideshift	9T3206	7-up	9T3209	4.000	2.500	I	2341949	153.01	
	Steering LH	9T2854	0-8	9T2852	2.750	1.750	I	2402482	79.96	
	Steering LH	9T2854	9-up	9T2852	2.750	1.750	I	2342595	152.34	
	Steering RH	9T2853	0-8	9T2851	2.750	1.750	I	2402482	79.96	
	Steering RH	9T2853	9-up	9T2851	2.750	1.750	I	2342595	152.34	
	Wheel Lean	1219244	0-up	1231077	4.000	2.250	I	2342591	62.17	
	Wheel Lean	9T3492	0-up	9T3497	4.000	1.750	I	2404819	109.77	
	24H	Articulation	1170837	0-up	1199501	4.750	3.000	I	2275349	174.19
Articulation		1433033	1-up	1433035	5.000	3.000	I	2442074	83.53	
Blade		1170830	0-up	1186540	4.000	2.250	I	2342591	62.17	
Blade		1170832	3-up	1178630	5.250	3.000	I	2281776	104.48	
	Ripper	1137754	0-up	1137755	4.000	2.000	I	2339205	57.79	
	Steering	1170833	0-up	1185199	3.500	2.500	I	1864327	144.29	
	Tip	1435988	0-up	1435989	4.750	2.500	I	2341948	188.00	
	Wheel Lean	1170836	1-up	1181951	4.750	2.500	I	2341948	188.00	
120B	Steering	4J4115	10-up	4J4116	4.000	1.500	I	2465910	88.38	
120G	Articulation	8J8590	0-up		3.000	1.750	I	2402016	95.33	
	Articulation	9T2447	0-up	9T2446	3.000	1.750	I	2275350	29.94	
	Articulation	9T8785	0-up	9T2446	3.000	1.750	I	2275350	29.94	
	Backhoe Stick/Blade Shift	8J0028	0-up		3.000	1.750	I	2402016	95.33	
	Blade	3G5225	0-up	8J8693	3.000	1.750	I	2402016	95.33	

INDUSTRIAL  
SEAL KITS

MOBILE  
SEAL KITS



CATERPILLAR

All manufacturer's names, part numbers and descriptions are used for reference purposes only. We do not imply that any part shown is the product of these manufacturers.

Tel.: (905) 362-0889  
Fax: (888) 238-1664

**KITS 157**

[www.sealsonline.com](http://www.sealsonline.com)

## CATERPILLAR

## MOTOR GRADER

Model	Application	Cylinder Group	Engineering Design Change Level	Cylinder Assembly Part No.	Bore	Rod	I	Ref. Number RCAT-	\$	
							M			
	Blade	8J8589	2-up	8J8693	3.000	1.750	I	2402016	95.33	
	Blade	9T2471	0-up	9T2470	3.000	1.750	I	2275350	29.94	
	Blade Tip	6E1549	0-up	6E1550	2.750	1.500	I	2339204	60.29	
	Blade Tip	8J0024	3-up	8J0023	2.750	1.500	I	2465912	52.03	
	Blade Tip	9J3466	0-up	9J3465	2.750	1.500	I	2465912	52.03	
	Blade Tip	9T2461	1-4	9T2460	2.750	1.500	I	2465909	70.03	
	Blade Tip	9T2461	5-up	9T2460	2.750	1.500	I	2339204	60.29	
	Conveyor Swing	3G5226	0-up	3G5689	3.000	1.750	I	2402016	95.33	
	Conveyor Swing	8J8777	2-up	8J8869	3.000	1.750	I	2402016	95.33	
	Conveyor Swing	9T2374	0-up	9T2384	3.000	1.750	I	2275350	29.94	
	Scarifier	3G1853	1-up	3G1852	3.000	1.750	I	2402016	95.33	
	Scarifier	8J7321	0-4	8J7322	3.000	1.500	I	2465922	104.92	
	Scarifier	8J7321	5-up	8J7322	3.000	1.500	I	2465913	64.72	
	Scarifier	9T2554	0-up	9T2664	3.000	1.750	I	2275350	29.94	
	Scarifier	9T6951	0-up	9T2664	3.000	1.750	I	2275350	29.94	
	Sideshift	1052094	0-up	9T2482	3.000	1.750	I	2275350	29.94	
	Sideshift	9T2483	0-up	9T2482	3.000	1.750	I	2275350	29.94	
	Steering	8J5538	0-2		2.500	1.500	I	2465911	51.23	
	Steering	8J8820	0-1		2.500	1.500	I	2465911	51.23	
	Steering LH	3G8070	0-up	3G8072	2.500	1.500	I	2465911	21.23	
	Steering LH	8J8820	1-up	8J8821	2.500	1.500	I	2465911	51.23	
	Steering LH	9T2395	0-up	9T2394	2.250	1.500	I	2465916	41.15	
	Steering RH	3G8069	0-up	3G8071	2.500	1.500	I	2465911	51.23	
	Steering RH	8J5538	2-up	8J6218	2.500	1.500	I	2465911	51.23	
	Steering RH	9T2393	0-up	9T2392	2.250	1.500	I	2465916	41.15	
	Wheel Lean	1219242	0-up	1231076	3.500	2.000	I	2281778	104.05	
	Wheel Lean	3G4752	0-up	3G4754	3.500	1.500	I	2465914	96.40	
	Wheel Lean	8J5539	1-up	8J6671	3.500	1.500	I	2465914	96.40	
Wheel Lean	9T2520	0-up	9T2521	3.500	1.500	I	2465917	152.28		
<b>120H</b>	Articulation	6E1554	0-up	6E1555	3.000	1.750	I	2275350	29.94	
	Articulation	6E4724	0-up	6E4725	3.500	2.000	I	2281778	104.05	
	Articulation	9T8785	0-up	9T2446	3.000	1.750	I	2275350	29.94	
	Blade	1198664	0-up	1198665	3.000	2.000	I	2384462	64.98	
	Blade	1324926	0-up	1324927	3.000	2.000	I	2384462	64.98	
	Blade Tip	6E1549	0-up	6E1550	2.750	1.500	I	2339204	60.29	
	Conveyor Swing	6E1754	0-up	6E1634	3.000	2.000	I	2384462	64.98	
	Scarifier	9T2554	0-up	9T2664	3.000	1.750	I	2275350	29.94	
	Scarifier	9T6951	0-up	9T2664	3.000	1.750	I	2275350	29.94	
	Sideshift	1125575	0-up	9T2482	3.000	1.750	I	2275350	29.94	
	Steering LH	9T2395	0-up	9T2394	2.250	1.500	I	2465916	41.15	
	Steering RH	9T2393	0-up	9T2392	2.250	1.500	I	2465916	41.15	
	Wheel Lean	1219242	0-up	1231076	3.500	2.000	I	2281778	104.05	
	Wheel Lean	9T2520	0-up	9T2521	3.500	1.500	I	2465917	152.28	
	<b>130G</b>	Articulation	8J0546	0-up		3.000	1.750	I	2402016	95.33
		Articulation	9T2453	0-up	9T2452	3.000	1.750	I	2275350	29.94
Articulation		9T8784	0-up	9T2452	3.000	1.750	I	2275350	29.94	

All manufacturer's names, part numbers and descriptions are used for reference purposes only. We do not imply that any part shown is the product of these manufacturers.

INDUSTRIAL SEAL KITS

MOBILE SEAL KITS



CATERPILLAR

## MOTOR GRADER

## CATERPILLAR

Model	Application	Cylinder Group	Engineering Design Change Level	Cylinder Assembly Part No.	Bore	Rod	I	Ref. Number RCAT-	\$	
							M			
	Backhoe Stick/Blade Shift	8J0028	0-up		3.000	1.750	I	2402016	95.33	
	Blade	3G5223	0-up	8J6381	3.250	2.000	I	2386661	64.88	
	Blade	8J6380	2-up	8J6381	3.250	2.000	I	2386661	64.88	
	Blade	9T2472	0-up	9T2466	3.000	2.000	I	2384462	64.98	
	Blade Tip	6E1549	0-up	6E1550	2.750	1.500	I	2339204	60.29	
	Blade Tip	8J0024	3-up	8J0023	2.750	1.500	I	2465912	52.03	
	Blade Tip	9J3466	0-up	9J3465	2.750	1.500	I	2465912	52.03	
	Blade Tip	9T2461	1-4	9T2460	2.750	1.500	I	2465909	70.03	
	Blade Tip	9T2461	5-up	9T2460	2.750	1.500	I	2339204	60.29	
	Conveyor Swing	3G5224	0-up	3G5488	3.250	2.000	I	2386661	64.88	
	Conveyor Swing	8J6367	2-up	8J6368	3.250	2.000	I	2386661	64.88	
	Conveyor Swing	9T2549	0-up	9T2898	3.000	2.000	I	2384462	64.98	
		Ripper	1137754	0-up	1137755	4.000	2.000	I	2339205	57.79
		Ripper	8J1658	0-4	8J1657	4.000	2.000	I	2406899	51.38
Ripper		8J1658	5-up	8J1657	4.000	2.000	I	2339205	57.79	
Scarifier		3G1853	1-up	3G1852	3.000	1.750	I	2402016	95.33	
Scarifier		8J7321	0-4	8J7322	3.000	1.500	I	2465922	104.92	
Scarifier		8J7321	5-up	8J7322	3.000	1.500	I	2465913	64.72	
Scarifier		9T2554	0-up	9T2664	3.000	1.750	I	2275350	29.94	
Scarifier		9T6951	0-up	9T2664	3.000	1.750	I	2275350	29.94	
Sideshift		1052094	0-up	9T2482	3.000	1.750	I	2275350	29.94	
Sideshift		9T2483	0-up	9T2482	3.000	1.750	I	2275350	29.94	
Steering		8J5538	0-2		2.500	1.500	I	2465911	51.23	
Steering		8J8820	0-1		2.500	1.500	I	2465911	51.23	
	Steering LH	3G8070	0-up	3G8072	2.500	1.500	I	2465911	51.23	
	Steering LH	8J8820	1-up	8J8821	2.500	1.500	I	2465911	51.23	
	Steering LH	9T2395	0-up	9T2394	2.250	1.500	I	2465916	41.15	
	Steering RH	3G8069	0-up	3G8071	2.500	1.500	I	2465911	51.23	
	Steering RH	8J5538	2-up	8J6218	2.500	1.500	I	2465911	51.23	
	Steering RH	9T2393	0-up	9T2392	2.250	1.500	I	2465916	41.15	
	Wheel Lean	1219242	0-up	1231076	3.500	2.000	I	2281778	104.05	
	Wheel Lean	3G4752	0-up	3G4754	3.500	1.500	I	2465914	96.40	
	Wheel Lean	8J5539	1-up	8J6671	3.500	1.500	I	2465914	96.40	
	Wheel Lean	9T2520	0-up	9T2521	3.500	1.500	I	2465917	152.28	
	<b>135H</b>	Articulation	6E1554	0-up	6E1555	3.000	1.750	I	2275350	29.94
Articulation		6E4724	0-up	6E4725	3.500	2.000	I	2281778	104.05	
Articulation		9T8785	0-up	9T2446	3.000	1.750	I	2275350	29.94	
Blade		1324926	0-up	1324927	3.000	2.000	I	2384462	64.98	
Blade Tip		6E1549	0-up	6E1550	2.750	1.500	I	2339204	60.29	
Conveyor Swing		6E1754	0-up	6E1634	3.000	2.000	I	2384462	64.98	
Scarifier		9T2554	0-up	9T2664	3.000	1.750	I	2275350	29.94	
Scarifier		9T6951	0-up	9T2664	3.000	1.750	I	2275350	29.94	
Sideshift		1125575	0-up	9T2482	3.000	1.750	I	2275350	29.94	
Steering LH		9T2395	0-up	9T2394	2.250	1.500	I	2465916	41.15	
Steering RH		9T2393	0-up	9T2392	2.250	1.500	I	2465916	41.15	
Wheel Lean		1219242	0-up	1231076	3.500	2.000	I	2281778	104.05	
Wheel Lean		9T2520	0-up	9T2521	3.500	1.500	I	2465917	152.28	

All manufacturer's names, part numbers and descriptions are used for reference purposes only. We do not imply that any part shown is the product of these manufacturers.

**Tel.: (204) 783-9617**  
**Fax: (204) 783-6091**

**KITS 159**

[www.sealsonline.com](http://www.sealsonline.com)

INDUSTRIAL  
SEAL KITS

MOBILE  
SEAL KITS



CATERPILLAR

## CATERPILLAR

## MOTOR GRADER

Model	Application	Cylinder Group	Engineering Design Change Level	Cylinder Assembly Part No.	Bore	Rod	I	Ref. Number RCAT-	\$
							M		
140B	Ripper	3G5189	0	3G5188	5.000	2.500	I	2430386	198.75
	Ripper	3G5189	1-up	3G5188	5.000	2.500	I	2422542	202.87
140G	Articulation	8J0546	0-up		3.000	1.750	I	2402016	95.33
	Articulation	9T2453	0-up	9T2452	3.000	1.750	I	2275350	29.94
	Articulation	9T8784	0-up	9T2452	3.000	1.750	I	2275350	29.94
	Backhoe Stick/Blade Shift	8J0028	0-up		3.000	1.750	I	2402016	95.33
	Blade	3G5223	0-up	8J6381	3.250	2.000	I	2386661	64.88
	Blade	8J6380	2-up	8J6381	3.250	2.000	I	2386661	64.88
	Blade	9T2472	0-up	9T2466	3.000	2.000	I	2384462	64.98
	Blade Tip	6E1549	0-up	6E1550	2.750	1.500	I	2339204	60.29
	Blade Tip	8J0024	3-up	8J0023	2.750	1.500	I	2465912	52.03
		Blade Tip	9J3466	0-up	9J3465	2.750	1.500	I	2465912
	Blade Tip	9T2461	1-4	9T2460	2.750	1.500	I	2465909	70.03
	Blade Tip	9T2461	5-up	9T2460	2.750	1.500	I	2339204	60.29
	Conveyor Swing	3G5224	0-up	3G5488	3.250	2.000	I	2386661	64.88
	Conveyor Swing	8J6367	2-up	8J6368	3.250	2.000	I	2386661	64.88
	Conveyor Swing	9T2549	0-up	9T2898	3.000	2.000	I	2384462	64.98
	Ripper	1137754	0-up	1137755	4.000	2.000	I	2339205	57.79
	Ripper	8J1658	0-4	8J1657	4.000	2.000	I	2406899	51.38
	Ripper	8J1658	5-up	8J1657	4.000	2.000	I	2339205	57.79
	Scarifier	3G1853	1-up	3G1852	3.000	1.750	I	2402016	95.33
	Scarifier	8J7321	0-4	8J7322	3.000	1.500	I	2465922	104.92
	Scarifier	8J7321	5-up	8J7322	3.000	1.500	I	2465913	64.72
	Scarifier	9T2554	0-up	9T2664	3.000	1.750	I	2275350	29.94
	Scarifier	9T6951	0-up	9T2664	3.000	1.750	I	2275350	29.94
	Sideshift	1052094	0-up	9T2482	3.000	1.750	I	2275350	29.94
	Sideshift	9T2483	0-up	9T2482	3.000	1.750	I	2275350	29.94
	Steering	8J5538	0-2		2.500	1.500	I	2465911	51.23
	Steering	8J8820	0-1		2.500	1.500	I	2465911	51.23
	Steering LH	3G8070	0-up	3G8072	2.500	1.500	I	2465911	51.23
	Steering LH	8J8820	1-up	8J8821	2.500	1.500	I	2465911	51.23
	Steering LH	9T2395	0-up	9T2394	2.250	1.500	I	2465916	41.15
	Steering RH	3G8069	0-up	3G8071	2.500	1.500	I	2465911	51.23
	Steering RH	8J5538	2-up	8J6218	2.500	1.500	I	2465911	51.23
	Steering RH	9T2393	0-up	9T2392	2.250	1.500	I	2465916	41.15
	Wheel Lean	1219242	0-up	1231076	3.500	2.000	I	2281778	104.05
	Wheel Lean	3G4152	0-up	3G4754	3.500	1.500	I	2465914	96.40
	Wheel Lean	8J5539	1-up	8J6671	3.500	1.500	I	2465914	96.40
	Wheel Lean	9T2520	0-up	9T2521	3.500	1.500	I	2465917	152.28
140H	Articulation	1376790	0-up	1376793	3.250	1.875	I	2465926	99.58
	Articulation	1376792	0-up	1376791	3.250	1.875	I	2465926	99.58
	Articulation	6E1560	0-up	6E1561	3.000	1.750	I	2275350	29.94
	Articulation	9T8784	0-up	9T2452	3.000	1.750	I	2275350	29.94
	Blade	1324929	0-up	1324928	3.000	2.000	I	2384462	64.98
	Blade Tip	6E1549	0-up	6E1550	2.750	1.500	I	2339204	60.29
	Conveyor Swing	6E1343	0-up	6E1344	3.000	2.000	I	2384462	64.98

All manufacturer's names, part numbers and descriptions are used for reference purposes only. We do not imply that any part shown is the product of these manufacturers.

INDUSTRIAL SEAL KITS

MOBILE SEAL KITS



CATERPILLAR

## MOTOR GRADER

## CATERPILLAR

Model	Application	Cylinder Group	Engineering Design Change Level	Cylinder Assembly Part No.	Bore	Rod	I	Ref. Number RCAT-	\$
							M		
143H	Ripper	1137754	0-up	1137755	4.000	2.000	I	2339205	57.79
	Scarifier	9T2554	0-up	9T2664	3.000	1.750	I	2275350	29.94
	Scarifier	9T6951	0-up	9T2664	3.000	1.750	I	2275350	29.94
	Sideshift	1125575	0-up	9T2482	3.000	1.750	I	2275350	29.94
	Steering LH	9T2395	0-up	9T2394	2.250	1.500	I	2465916	41.15
	Steering RH	9T2393	0-up	9T2392	2.250	1.500	I	2465916	41.15
	Wheel Lean	1219242	0-up	1231076	3.500	2.000	I	2281778	104.05
	Wheel Lean	9T2520	0-up	9T2521	3.500	1.500	I	2465917	152.28
	Articulation	1376790	0-up	1376793	3.250	1.875	I	2465926	99.58
	Articulation	1376792	0-up	1376791	3.250	1.875	I	2465926	99.58
	Articulation	6E1560	0-up	6E1561	3.000	1.750	I	2275350	29.94
	160G	Articulation	9T8784	0-up	9T2452	3.000	1.750	I	2275350
Blade		1324929	0-up	1324928	3.000	2.000	I	2384462	64.98
Blade Tip		6E1549	0-up	6E1550	2.750	1.500	I	2339204	60.29
Conveyor Swing		6E1343	0-up	6E1344	3.000	2.000	I	2384462	64.98
Ripper		1137754	0-up	1137755	4.000	2.000	I	2339205	57.79
Scarifier		9T2554	0-up	9T2664	3.000	1.750	I	2275350	29.94
Scarifier		9T6951	0-up	9T2664	3.000	1.750	I	2275350	29.94
Sideshift		1125575	0-up	9T2482	3.000	1.750	I	2275350	29.94
Steering LH		9T2395	0-up	9T2394	2.250	1.500	I	2465916	41.15
Steering RH		9T2393	0-up	9T2392	2.250	1.500	I	2465916	41.15
Wheel Lean		1219242	0-up	1231076	3.500	2.000	I	2281778	104.05
Wheel Lean		9T2520	0-up	9T2521	3.500	1.500	I	2465917	152.28
160G	Articulation	8J0546	0-up		3.000	1.750	I	2402016	95.33
	Articulation	9T2453	0-up	9T2452	3.000	1.750	I	2275350	29.94
	Articulation	9T8784	0-up	9T2452	3.000	1.750	I	2275350	29.94
	Backhoe Stick/Blade Shift	8J0028	0-up		3.000	1.750	I	2402016	95.33
	Blade	3G5223	0-up	8J6381	3.250	2.000	I	2386661	64.88
	Blade	8J6380	2-up	8J6381	3.250	2.000	I	2386661	64.88
	Blade	9T2472	0-up	9T2466	3.000	2.000	I	2384462	64.98
	Blade Tip	6E1549	0-up	6E1550	2.750	1.500	I	2339204	60.29
	Blade Tip	8J0024	3-up	8J0023	2.750	1.500	I	2465912	52.03
	Blade Tip	9J3466	0-up	9J3465	2.750	1.500	I	2465912	52.03
	Blade Tip	9T2461	1-4	9T2460	2.750	1.500	I	2465909	70.03
	Blade Tip	9T2461	5-up	9T2460	2.750	1.500	I	2339204	60.29
160G	Conveyor Swing	3G5224	0-up	3G5488	3.250	2.000	I	2386661	64.88
	Conveyor Swing	8J6367	2-up	8J6368	3.250	2.000	I	2386661	64.88
	Conveyor Swing	9T2549	0-up	9T2898	3.000	2.000	I	2384462	64.98
	Scarifier	3G1853	1-up	3G1852	3.000	1.750	I	2402016	95.33
	Scarifier	9T2554	0-up	9T2664	3.000	1.750	I	2275350	29.94
	Scarifier	9T6951	0-up	9T2664	3.000	1.750	I	2275350	29.94
	Sideshift	1052094	0-up	9T2482	3.000	1.750	I	2275350	29.94
	Sideshift	9T2483	0-up	9T2482	3.000	1.750	I	2275350	29.94
	Steering	8J5538	0-2		2.500	1.500	I	2465911	51.23
	Steering	8J8820	0-1		2.500	1.500	I	2465911	51.23
	Steering LH	3G8070	0-up	3G8072	2.500	1.500	I	2465911	51.23
	Steering LH	8J8820	1-up	8J8821	2.500	1.500	I	2465911	51.23

All manufacturer's names, part numbers and descriptions are used for reference purposes only. We do not imply that any part shown is the product of these manufacturers.

Tel.: (780) 414-1871  
Fax: (780) 487-5419

**KITS 161**

[www.sealsonline.com](http://www.sealsonline.com)

INDUSTRIAL  
SEAL KITS

MOBILE  
SEAL KITS



CATERPILLAR

## CATERPILLAR

## MOTOR GRADER

Model	Application	Cylinder Group	Engineering Design Change Level	Cylinder Assembly Part No.	Bore	Rod	I	Ref. Number RCAT-	\$
							M		
	Steering LH	9T2395	0-up	9T2394	2.250	1.500	I	2465916	41.15
	Steering RH	3G8069	0-up	3G8071	2.500	1.500	I	2465911	51.23
	Steering RH	8J5538	2-up	8J6218	2.500	1.500	I	2465911	51.23
	Steering RH	9T2393	0-up	9T2392	2.250	1.500	I	2465916	41.15
	Wheel Lean	1219242	0-up	1231076	3.500	2.000	I	2281778	104.05
	Wheel Lean	3G4752	0-up	3G4754	3.500	1.500	I	2465914	96.40
	Wheel Lean	9T2520	0-up	9T2521	3.500	1.500	I	2465917	152.28
<b>160H</b>	Articulation	1376790	0-up	1376793	3.250	1.875	I	2465926	99.58
	Articulation	1376792	0-up	1376791	3.250	1.875	I	2465926	99.58
	Articulation	6E1560	0-up	6E1561	3.000	1.750	I	2275350	29.94
	Articulation	9T8784	0-up	9T2452	3.000	1.750	I	2275350	29.94
	Blade	1324929	0-up	1324928	3.000	2.000	I	2384462	64.98
	Blade Tip	6E1549	0-up	6E1550	2.750	1.500	I	2339204	60.29
	Conveyor Swing	6E1343	0-up	6E1344	3.000	2.000	I	2384462	64.98
	Ripper	1137754	0-up	1137755	4.000	2.000	I	2339205	57.79
	Scarifier	9T2554	0-up	9T2664	3.000	1.750	I	2275350	29.94
	Scarifier	9T6951	0-up	9T2664	3.000	1.750	I	2275350	29.94
	Sideshift	1125575	0-up	9T2482	3.000	1.750	I	2275350	29.94
	Steering LH	9T2395	0-up	9T2394	2.250	1.500	I	2465916	41.15
	Steering RH	9T2393	0-up	9T2392	2.250	1.500	I	2465916	41.15
	Wheel Lean	1219242	0-up	1231076	3.500	2.000	I	2281778	104.05
	Wheel Lean	9T2520	0-up	9T2521	3.500	1.500	I	2465917	152.28
	<b>163H</b>	Articulation	1376790	0-up	1376793	3.250	1.875	I	2465926
Articulation		1376792	0-up	1376791	3.250	1.875	I	2465926	99.58
Articulation		6E1560	0-up	6E1561	3.000	1.750	I	2275350	29.94
Articulation		9T8784	0-up	9T2452	3.000	1.750	I	2275350	29.94
Blade		1324929	0-up	1324928	3.000	2.000	I	2384462	64.98
Blade Tip		6E1549	0-up	6E1550	2.750	1.500	I	2339204	60.29
Conveyor Swing		6E1343	0-up	6E1344	3.000	2.000	I	2384462	64.98
Ripper		1137754	0-up	1137755	4.000	2.000	I	2339205	57.79
Scarifier		9T2554	0-up	9T2664	3.000	1.750	I	2275350	29.94
Scarifier		9T6951	0-up	9T2664	3.000	1.750	I	2275350	29.94
Sideshift		1125575	0-up	9T2482	3.000	1.750	I	2275350	29.94
Steering LH		9T2395	0-up	9T2394	2.250	1.500	I	2465916	41.15
Steering RH		9T2393	0-up	9T2392	2.250	1.500	I	2465916	41.15
Wheel Lean	1219242	0-up	1231076	3.500	2.000	I	2281778	104.05	
Wheel Lean	9T2520	0-up	9T2521	3.500	1.500	I	2465917	152.28	

All manufacturer's names, part numbers and descriptions are used for reference purposes only. We do not imply that any part shown is the product of these manufacturers.

INDUSTRIAL SEAL KITS

MOBILE SEAL KITS



CATERPILLAR

## OFF-HIGHWAY TRUCK

## CATERPILLAR

INDUSTRIAL  
SEAL KITS

MOBILE  
SEAL KITS



CATERPILLAR

Model	Application	Cylinder Group	Engineering Design Change Level	Cylinder Assembly Part No.	Bore	Rod	I	Ref. Number RCAT-	\$
							M		
<b>768B</b>	Steering	7J7528	0-up	6J1124	3.750	2.375	I	2578422	144.63
	Steering	9J1287	0-up	9J1301	3.750	2.375	I	2578422	144.63
	Suspension Rear	3G0688	N/A	N/A	8.500	7.000	I	768B/REAR	227.30
	Suspension Front	7J8286	12-up	N/A	8.000	7.000	I	1137475	715.42
<b>768C</b>	Steering	9J1287	0-up	9J1301	3.750	2.375	I	2578422	144.63
	Suspension Rear	1162836	0-up	9T6085	8.500	7.000	I	1417296	227.30
	Suspension Front	9J5476	16-up	1007412	8.000	7.000	I	1137475	715.42
<b>769</b>	Steering	9J1287	0-up	9J1301	3.750	2.375	I	2578422	144.63
	Suspension Rear	5J6572	N/A	N/A	8.500	7.000	I	1417296	227.30
	Suspension Rear	4J8770	0-up	4J8768	8.500	7.000	I	1417296	227.30
	Suspension Front	7J8286	12-up	N/A	8.000	7.000	I	1137475	715.42
	Hoist	9M1366	0-up	8N4201	7.000	3.500	I	O/R	O/R
<b>769B</b>	Steering	6J1203	2-up	6J1124	3.750	2.375	I	2578422	144.63
	Steering	7J7528	0-up	6J1124	3.750	2.375	I	2578422	144.63
	Steering	9J1287	0-up	9J1301	3.750	2.375	I	2578422	144.63
	Suspension Rear	5J6572	N/A	N/A	8.500	7.000	I	1417296	227.30
	Suspension Front	7J8286	12-up	N/A	8.000	7.000	I	1137475	715.42
	Hoist	8J2471	0-up	6J3063	7.000	3.500	I	O/R	O/R
<b>769C</b>	Steering	9J1287	0-up	9J1301	3.750	2.375	I	2578422	144.63
	Suspension Rear	1162836	0-up	9T6085	8.500	7.000	I	1417296	227.30
	Suspension Rear	9T6086	0-up	9T6085	8.500	7.000	I	1417296	227.30
	Suspension Front	9J5476	16-up	1007412	8.000	7.000	I	1137475	715.42
	Hoist	4T4168	0-up	9J4150	7.000	4.000	I	8T4772	310.53
	Hoist	9J4149	0-up	N/A	7.000	4.000	I	8T4772	310.53
	Hoist	9J4149	0-up	N/A	7.000	4.000	I	8T4772	310.53
<b>769D</b>	Steering	1100532	0-up	1100533	3.000	2.000	I	2384462	64.98
	Steering	9J1287	0-up	9J1301	3.750	2.375	I	2578422	144.63
	Suspension Rear	1162836	0-up	9T6085	8.500	7.000	I	1417296	227.30
	Suspension Front	1303921	0-up	N/A	8.000	7.000	I	1137475	715.42
	Hoist	4T4168	0-up	9J4150	7.000	4.000	I	8T4772	310.53
	Hoist	9J4149	0-up	N/A	7.000	4.000	I	8T4772	310.53
	Hoist	9J4149	0-up	N/A	7.000	4.000	I	8T4772	310.53
<b>771C</b>	Steering	9J1287	0-up	9J1301	3.750	2.375	I	2578422	144.63
	Suspension Rear	1162836	0-up	9T6085	8.500	7.000	I	1417296	227.30
	Suspension Front	9J5476	16-up	1007412	8.000	7.000	I	1137475	715.42
	Hoist	4T4168	0-up	9J4150	7.000	4.000	I	8T4772	310.53
	Hoist	9J4149	0-up	N/A	7.000	4.000	I	8T4772	310.53
	Hoist	9J4149	0-up	N/A	7.000	4.000	I	8T4772	310.53
<b>771D</b>	Steering	1100532	0-up	1100533	3.000	2.000	I	2384462	64.98
	Steering	9J1287	0-up	9J1301	3.750	2.375	I	2578422	144.63
	Suspension Rear	1162836	0-up	9T6085	8.500	7.000	I	1417296	227.30
	Suspension Front	1303921	0-up	N/A	8.000	7.000	I	1137475	715.42
	Hoist	4T4168	0-up	9J4150	7.000	4.000	I	8T4772	310.53
	Hoist	9J4149	0-up	9J4150	7.000	4.000	I	8T4772	310.53

All manufacturer's names, part numbers and descriptions are used for reference purposes only. We do not imply that any part shown is the product of these manufacturers.

Tel.: (403) 279-1871  
Fax: (403) 279-1821

**KITS 163**

[www.sealsonline.com](http://www.sealsonline.com)



## CATERPILLAR

## OFF-HIGHWAY TRUCK

Model	Application	Cylinder Group	Engineering Design Change Level	Cylinder Assembly Part No.	Bore	Rod	I	Ref. Number RCAT-	\$
							M		
<b>773</b>	Steering	7J7686	0-up	7J7684	4.000	2.375	I	2418925	48.09
	Suspension Rear	7J3329	1-UP	7J3330	8.500	7.000	I	O/R	O/R
	Suspension Front	8J2322	13-up	N/A	8.000	7.000	I	1137475	715.42
	Suspension Front	7J3480	14-up	N/A	8.000	7.000	I	1137475	715.42
<b>773B</b>	Steering	7J7686	0-up	7J7684	4.000	2.375	I	2418925	48.09
	Suspension Rear	9T6082	0-up	9T6081	8.500	7.000	I	1417296	227.30
	Suspension Rear	1162837	0-up	9T6081	8.500	7.000	I	1417296	227.30
	Suspension Front	1163092	0-up	N/A	8.000	7.000	I	1137478	929.91
	Suspension Front	1U4777	8-up	1007415	8.000	7.000	I	1137478	929.91
	Hoist	9J2017	3-up	9J2539	8.250	5.000	I	8T9042	449.34
<b>773D</b>	Hoist	9T3122	0-up	9J2539	8.250	5.000	I	8T9042	449.34
	Steering	7J7686	0-up	7J7684	4.000	2.375	I	2418925	48.09
	Suspension Rear	1162837	0-up	9T6081	8.500	7.000	I	1417296	227.30
	Suspension Rear	9T6082	0-up	9T6081	8.500	7.000	I	1417296	227.30
	Suspension Front	1163092	0-up	N/A	8.000	7.000	I	1137478	929.91
	Suspension Front	1U4777	8-up	1007415	8.000	7.000	I	1137478	929.91
	Hoist	1455155	0-up	9J2539	8.250	5.000	I	8T9042	449.34
	Hoist	9J2017	3-up	9J2539	8.250	5.000	I	8T9042	449.34
	Hoist	9T3122	0-up	9J2539	8.250	5.000	I	8T9042	449.34
<b>775</b>	Steering	7J7686	0-up	7J7684	4.000	2.375	I	2418925	48.09
	Suspension Rear	9T6082	0-up	9T6081	8.500	7.000	I	1417296	227.30
	Suspension Rear	1162837	0-up	9T6081	8.500	7.000	I	1417296	227.30
	Suspension Front	1163092	0-up	N/A	8.000	7.000	I	1137478	929.91
	Suspension Front	1U4777	8-up	1007415	8.000	7.000	I	1137478	929.91
	Hoist	9J2017	3-up	9J2539	8.250	5.000	I	8T9042	449.34
	Hoist	9T3122	0-up	9J2539	8.250	5.000	I	8T9042	449.34
	<b>775D</b>	Steering	7J7686	0-up	7J7684	4.000	2.375	I	2418925
Suspension Rear		1162837	0-up	9T6081	8.500	7.000	I	1417296	227.30
Suspension Rear		9T6082	0-up	9T6081	8.500	7.000	I	1417296	227.30
Suspension Front		1163092	0-up	N/A	8.000	7.000	I	1137478	929.91
Suspension Front		1U4777	8-up	1007415	8.000	7.000	I	1137478	929.91
Hoist		1455155	0-up	9J2539	8.250	5.000	I	8T9042	449.34
Hoist		9J2017	3-up	9J2539	8.250	5.000	I	8T9042	449.34
<b>776B</b>	Hoist	9T3122	0-up	9J2539	8.250	5.000	I	8T9042	449.34
	Steering	8J9912	1-up	8J9913	4.000	2.375	I	2418925	48.09
	Suspension Rear	8J8865	2-up	9J9277	10.500	9.000	I	1137482	352.46
	Suspension Front	4T4756	N/A	N/A	10.750	9.000	I	O/R	O/R
	Hoist	N/A	N/A	N/A	9.500	5.500	I	8T1543	419.38

All manufacturer's names, part numbers and descriptions are used for reference purposes only. We do not imply that any part shown is the product of these manufacturers.

INDUSTRIAL SEAL KITS

MOBILE SEAL KITS



CATERPILLAR

## OFF-HIGHWAY TRUCK

## CATERPILLAR

INDUSTRIAL  
SEAL KITS

MOBILE  
SEAL KITS



CATERPILLAR

Model	Application	Cylinder Group	Engineering Design Change Level	Cylinder Assembly Part No.	Bore	Rod	I	Ref. Number RCAT-	\$
							M		
<b>776C</b>	Steering	8J9912	1-up	8J9913	4.000	2.375	I	2418925	48.09
	Suspension Rear	8J8865	2-up	9J9277	10.500	9.000	I	1137482	352.46
	Suspension Front	4T4756	N/A	N/A	10.750	9.000	I	0/R	0/R
	Hoist	N/A	N/A	N/A	9.500	5.500	I	8T1543	419.38
<b>776D</b>	Steering	8J9912	1-up	8J9913	4.000	2.375	I	2418925	48.09
	Suspension Rear	8J8865	2-up	9J9277	10.500	9.000	I	1137482	352.46
	Suspension Front	4T4756	N/A	N/A	10.750	9.000	I	0/R	0/R
	Hoist	N/A	N/A	N/A	9.500	5.500	I	8T1543	419.38
<b>777</b>	Steering	8J9912	1-up	8J9913	4.000	2.375	I	2418925	48.09
	Suspension Rear	8J8865	2-up	9J9277	10.500	9.000	I	1137482	352.46
	Suspension Front	9T8813	N/A	N/A	10.750	9.000	I	0/R	0/R
	Hoist	8J8924	2-up	8J9431	9.500	5.500	I	8T1543	419.38
<b>777B</b>	Steering	8J9912	1-up	8J9913	4.000	2.375	I	2418925	48.09
	Suspension Rear	8J8865	2-up	9J9277	10.500	9.000	I	1137482	352.46
	Suspension Front	9T8813	N/A	N/A	10.750	9.000	I	0/R	0/R
	Hoist	8J8924	2-up	8J9431	9.500	5.500	I	8T1543	419.38
<b>777C</b>	Steering	8J9912	1-up	8J9913	4.000	2.375	I	2418925	48.09
	Suspension Rear	8J8865	2-up	9J9277	10.500	9.000	I	1137482	352.46
	Suspension Front	9T8813	N/A	N/A	10.750	9.000	I	0/R	0/R
	Hoist	8J8924	2-up	8J9431	9.500	5.500	I	8T1543	419.38
<b>777D</b>	Steering	8J9912	1-up	8J9913	4.000	2.375	I	2418925	48.09
	Suspension Rear	8J8865	2-up	9J9277	10.500	9.000	I	1137482	352.46
	Suspension Front	9T8813	N/A	N/A	10.750	9.000	I	0/R	0/R
	Hoist	8J8924	2-up	8J9431	9.500	5.500	I	8T1543	419.38
<b>785, 785B, 785C</b>	Steering	1U3182	1-2	1U3181	5.000	2.500	I	2430386	198.75
	Steering	1U3182	3	1U3181	5.000	2.500	I	2422542	202.87
	Steering	1U3182	4-up	1U3181	5.000	2.500	I	2430384	193.35
	Suspension Rear	1072860	0-up	1072859	12.500	11.000	I	1565209/PI	1314.25
	Suspension Rear	1U4651	1-up	1U3924	12.500	11.000	I	1565209/PI	1314.25
	Suspension Rear	2299890	N/A	N/A	12.500	11.000	I	1565209/PI	1314.25
	Suspension Rear	1072860	0-up	1072859	12.500	11.000	I	1565209/PI-G	587.63
	Suspension Rear	1U4651	1-up	1U3924	12.500	11.000	I	1565209/PI-G	587.63
	Suspension Rear	2299890	N/A	N/A	12.500	11.000	I	1565209/PI-G	587.63
	Suspension Rear	1072860	0-up	1072859	12.500	11.000	I	1565209/SI	1195.08
	Suspension Rear	1U4651	1-up	1U3924	12.500	11.000	I	1565209/SI	1195.08
	Suspension Rear	2299890	N/A	N/A	12.500	11.000	I	1565209/SI	1195.08
	Suspension Rear	1072860	0-up	1072859	12.500	11.000	I	1565209/SI-G	505.67

All manufacturer's names, part numbers and descriptions are used for reference purposes only. We do not imply that any part shown is the product of these manufacturers.

Tel.: (604) 278-6808  
Fax: (604) 278-6180

**KITS 165**

[www.sealsonline.com](http://www.sealsonline.com)

## CATERPILLAR

## OFF-HIGHWAY TRUCK

Model	Application	Cylinder Group	Engineering Design Change Level	Cylinder Assembly Part No.	Bore	Rod	I	Ref. Number RCAT-	\$
							M		
	Suspension Rear	1U4651	1-up	1U3924	12.500	11.000	I	1565209/SI-G	505.67
	Suspension Rear	2299890	N/A	N/A	12.500	11.000	I	1565209/SI-G	505.67
	Suspension Rear	1072860	0-up	1072859	12.500	11.000	I	1565209/PI/SI	1355.56
	Suspension Rear	1U4651	1-up	1U3924	12.500	11.000	I	1565209/PI/SI	1355.56
	Suspension Rear	2299890	N/A	N/A	12.500	11.000	I	1565209/PI/SI	1355.56
	Suspension Rear	1072860	0-up	1072859	12.500	11.000	I	1565209/PI/SI-G	631.27
	Suspension Rear	1U4651	1-up	1U3924	12.500	11.000	I	1565209/PI/SI-G	631.27
	Suspension Rear	2299890	N/A	N/A	12.500	11.000	I	1565209/PI/SI-G	631.27
	Suspension Front	1U4605	N/A	N/A	13.125	11.000	I	1137476/PI	3525.44
	Suspension Front	1U4605	N/A	N/A	13.125	11.000	I	1137476/PI-G	3211.50
	Suspension Front	2299872	N/A	N/A	13.125	11.000	I	1137476/SI	3468.59
	Suspension Front	2299872	N/A	N/A	13.125	11.000	I	1137476/SI-G	3129.58
789, 789B, 789C	Suspension Front	1U4605	N/A	N/A	13.125	11.000	I	1137476/PI/SI	3574.42
	Suspension Front	2299872	N/A	N/A	13.125	11.000	I	1137476/PI/SI	3574.42
	Suspension Front	1U4605	N/A	N/A	13.125	11.000	I	1137476/PI/SI-G	3255.12
	Suspension Front	2299872	N/A	N/A	13.125	11.000	I	1137476/PI/SI-G	3255.12
	Hoist	4T5931	0-up	4T5932	11.500	7.250	I	8T4939	766.96
	Steering	4T6797	1	4T6800	6.000	2.750	I	2440955	138.44
	Steering	4T6797	2-up	4T6800	6.000	2.750	I	2440953	226.61
	Suspension Rear	4T4844	0-up	N/A	14.250	12.500	I	1137480/PI	1392.16
	Suspension Rear	1061801	0-up	1061804	14.250	12.500	I	1137480/PI	1392.16
	Suspension Rear	4T4844	0-up	N/A	14.250	12.500	I	1137480/SI	1380.88
	Suspension Rear	1061801	0-up	1061804	14.250	12.500	I	1137480/SI	1380.88
	Suspension Rear	4T4844	0-up	N/A	14.250	12.500	I	1137480/PI-G	631.75
	Suspension Rear	1061801	0-up	1061804	14.250	12.500	I	1137480/PI-G	631.75
Suspension Rear	4T4844	0-up	N/A	14.250	12.500	I	1137480/SI-G	768.85	
Suspension Rear	1061801	0-up	1061804	14.250	12.500	I	1137480/SI-G	768.85	
Suspension Rear	4T4844	0-up	N/A	14.250	12.500	I	1137480/PI/SI	1692.22	
Suspension Rear	1061801	0-up	1061804	14.250	12.500	I	1137480/PI/SI	1692.22	
Suspension Rear	4T4844	0-up	N/A	14.250	12.500	I	1137480/PI/SI-G	900.02	
Suspension Rear	1061801	0-up	1061804	14.250	12.500	I	1137480/PI/SI-G	900.02	
Suspension Front	4T5182	N/A	N/A	15.125	12.500	I	789/Front/PI	4276.38	
Suspension Front	2292379	N/A	N/A	15.125	12.500	I	789/Front/PI	4276.38	
Suspension Front	4T5182	N/A	N/A	15.125	12.500	I	789/Front/SI	4262.58	
Suspension Front	2292379	N/A	N/A	15.125	12.500	I	789/Front/SI	4262.58	
Suspension Front	4T5182	N/A	N/A	15.125	12.500	I	789/Front/PI-G	3392.26	
Suspension Front	2292379	N/A	N/A	15.125	12.500	I	789/Front/PI-G	3392.26	
Suspension Front	4T5182	N/A	N/A	15.125	12.500	I	789/Front/SI-G	3529.30	
Suspension Front	2292379	N/A	N/A	15.125	12.500	I	789/Front/SI-G	3529.30	
Suspension Front	4T5182	N/A	N/A	15.125	12.500	I	789/Front/PI/SI	4590.77	
Suspension Front	2292379	N/A	N/A	15.125	12.500	I	789/Front/PI/SI	4590.77	
Suspension Front	4T5182	N/A	N/A	15.125	12.500	I	789/Front/PI/SI-G	3660.53	
Suspension Front	2292379	N/A	N/A	15.125	12.500	I	789/Front/PI/SI-G	3660.53	
Hoist	9T2807	0-up	4T6063	12.250	7.250	I	8C5788	1200.53	

All manufacturer's names, part numbers and descriptions are used for reference purposes only. We do not imply that any part shown is the product of these manufacturers.

INDUSTRIAL SEAL KITS

MOBILE SEAL KITS



CATERPILLAR

## OFF-HIGHWAY TRUCK

## CATERPILLAR

INDUSTRIAL SEAL KITS

MOBILE SEAL KITS



CATERPILLAR

Model	Application	Cylinder Group	Engineering Design Change Level	Cylinder Assembly Part No.	Bore	Rod	I	Ref. Number RCAT-	\$
							M		
<b>793, 793B, 793C</b>	Steering	9T8912	0-up	6E0618	5.500	2.750	I	2601518	147.41
	Suspension Rear	6E1101	0-up	4T4776	14.250	12.500	I	1137480/PI	1392.16
	Suspension Rear	6E1101	0-up	4T4776	14.250	12.500	I	1137480/SI	1380.88
	Suspension Rear	6E1101	0-up	4T4776	14.250	12.500	I	1137480/PI-G	631.75
	Suspension Rear	6E1101	0-up	4T4776	14.250	12.500	I	1137480/SI-G	768.85
	Suspension Rear	6E1101	0-up	4T4776	14.250	12.500	I	1137480/PI/SI	1692.22
	Suspension Rear	6E1101	0-up	4T4776	14.250	12.500	I	1137480/PI/SI-G	900.02
	Suspension Rear	2299590	0-up	4T4776	14.250	12.500	I	1137480/PI-RWR	2331.15
	Suspension Rear	1063722	0-up	4T4776	14.250	12.500	I	1137480/PI-RWR	2331.15
	Suspension Rear	2299590	0-up	4T4776	14.250	12.500	I	1137480/SI-RWR	2318.96
	Suspension Rear	1063722	0-up	4T4776	14.250	12.500	I	1137480/SI-RWR	2318.96
	Suspension Rear	2299590	0-up	4T4776	14.250	12.500	I	1137480/PI-G/RWR	1550.04
	Suspension Rear	1063722	0-up	4T4776	14.250	12.500	I	1137480/PI-G/RWR	1550.04
	Suspension Rear	2299590	0-up	4T4776	14.250	12.500	I	1137480/SI-G/RWR	1535.59
	Suspension Rear	1063722	0-up	4T4776	14.250	12.500	I	1137480/SI-G/RWR	1535.59
	Suspension Rear	2299590	0-up	4T4776	14.250	12.500	I	1137480/PI/SI-RWR	2442.93
Suspension Rear	1063722	0-up	4T4776	14.250	12.500	I	1137480/PI/SI-RWR	2442.93	
Suspension Rear	2299590	0-up	4T4776	14.250	12.500	I	1137480/PI/SI-G/RWR	1651.65	
Suspension Rear	1063722	0-up	4T4776	14.250	12.500	I	1137480/PI/SI-G/RWR	1651.65	
Suspension Front	9T8910	N/A	N/A	N/A	16.125	13.500	I	793/FRONT/PI	4730.42
Suspension Front	2299604	N/A	N/A	N/A	16.125	13.500	I	793/FRONT/PI	4730.42
Suspension Front	9T8910	N/A	N/A	N/A	16.125	13.500	I	793/FRONT/SI	4643.70
Suspension Front	2299604	N/A	N/A	N/A	16.125	13.500	I	793/FRONT/SI	4643.70
Suspension Front	9T8910	N/A	N/A	N/A	16.125	13.500	I	793/FRONT/PI-G	3624.87
Suspension Front	2299604	N/A	N/A	N/A	16.125	13.500	I	793/FRONT/PI-G	3624.87
Suspension Front	9T8910	N/A	N/A	N/A	16.125	13.500	I	793/FRONT/SI-G	3559.84
Suspension Front	2299604	N/A	N/A	N/A	16.125	13.500	I	793/FRONT/SI-G	3559.84
Suspension Front	9T8910	N/A	N/A	N/A	16.125	13.500	I	793/FRONT/PI/SI	4794.53
Suspension Front	2299604	N/A	N/A	N/A	16.125	13.500	I	793/FRONT/PI/SI	4794.53
Suspension Front	9T8910	N/A	N/A	N/A	16.125	13.500	I	793/FRONT/PI/SI-G	3697.59
Suspension Front	2299604	N/A	N/A	N/A	16.125	13.500	I	793/FRONT/PI/SI-G	3697.59
Hoist	9T8911	0-up	6E0048	6E0048	13.750	8.750	I	1125343	870.05
Hoist	1212071	N/A	N/A	N/A	12.750	7.750	I	1531282	831.18
<b>797</b>	Steering	1523601	0-up	1537533	6.250	3.250	I	2450620	274.47
	Suspension Rear		N/A	N/A				O/R	O/R
	Suspension Front	1489775	N/A	N/A	18.375	15.750	I	O/R	O/R
	Suspension Front	1918042	N/A	N/A	18.375	15.750	I	O/R	O/R
	Hoist	1503008	N/A	N/A	14.750	9.750	I	O/R	O/R
	Hoist	1960149	N/A	N/A	14.750	9.750	I	O/R	O/R
<b>797B</b>	Steering	1946171	N/A	N/A	7.000	3.500	I	O/R	O/R
	Suspension Rear		N/A	N/A			I	O/R	O/R
	Suspension Front	1918042	N/A	N/A	18.375	15.750	I	O/R	O/R
	Hoist	2199784	N/A	N/A	14.750	9.750	I	O/R	O/R

All manufacturer's names, part numbers and descriptions are used for reference purposes only. We do not imply that any part shown is the product of these manufacturers.

## CATERPILLAR

## PIPELAYER

Model	Application	Cylinder Group	Engineering Design Change Level	Cylinder Assembly Part No.	Bore	Rod	I	Ref. Number RCAT-	\$
							M		
<b>561B</b>	Counterweight LH	3G3504	0-up	3G3502	5.000	2.000	I	2386718	89.61
	Counterweight RH	3G3505	0-up	3G3503	5.000	2.000	I	2386718	89.61
<b>561C</b>	Counterweight LH	3G3504	0-up	3G3502	5.000	2.000	I	2386718	89.61
	Counterweight RH	3G3505	0-up	3G3503	5.000	2.000	I	2386718	89.61
<b>561D</b>	Counterweight LH	3G3504	0-up	3G3502	5.000	2.000	I	2386718	89.61
	Counterweight RH	3G3505	0-up	3G3503	5.000	2.000	I	2386718	89.61
<b>572E</b>	Counterweight	1M1580	8-up	1M1566	4.000	2.000	I	2408513	130.35
	Counterweight	1M1580	0-7	1M1566	4.000	2.000	I	2408513	130.35
<b>572F</b>	Counterweight	1M1580	0-up	1M1566	4.000	2.000	I	2408513	130.35
<b>580</b>	Steering	1572661	0-up		-	-	I	1622162	59.25
	Steering	1572780	0-up		-	-	I	1622163	53.43
<b>583H</b>	Counterweight	1M1580	0-7	1M1566	4.000	2.000	I	2408513	130.35
<b>583K</b>	Counterweight	1M1580	8-up	1M1566	4.000	2.000	I	2408513	130.35
<b>583R</b>	Counterweight	1333850	0-2	1333851	4.000	2.125	I	2465929	129.86
	Counterweight	1333850	3-up	1333851	4.000	2.125	I	2465933	191.22
<b>594, 594H</b>	Lift	6J0416	0-up	6J0415	5.000	2.000	I	2384487	171.73

All manufacturer's names, part numbers and descriptions are used for reference purposes only. We do not imply that any part shown is the product of these manufacturers.

INDUSTRIAL SEAL KITS

MOBILE SEAL KITS

CATERPILLAR

## PNEUMATIC TIRED COMPACTOR

## CATERPILLAR

Model	Application	Cylinder Group	Engineering Design Change Level	Cylinder Assembly Part No.	Bore	Rod	I	Ref. Number RCAT-	\$
							M		
PF300	N/A	5E5224	0-up		-	-	I	5E5629	160.03
	N/A	7R2633	0-up		-	-	I	0814690	318.76
PS300	N/A	5E5224	0-up		-	-	I	5E5629	160.03
	N/A	7R2633	0-up		-	-	I	0814690	318.76
	Suspension Lift	0815316	0-up		-	-	I	0814687	283.61
PS500	N/A	0827253	0-up		-	-	I	0814687	283.61
	N/A	7R2633	0-up		-	-	I	0814690	318.76

## ROAD RECLAMER/SOIL STABILIZER



RM350	Lift - Hood/Rotor	1097815	0-up		4.000	2.000	I	1G6231	209.44
RR250	N/A	0871282	0-up		3.000	1.500	I	1G6745	157.85
	N/A	1219825	0-up		3.000	-	I	0983341	158.48
RR250B	N/A	0871282	0-up		3.000	1.500	I	1G6745	157.85
SM350	Lift - Hood/Rotor	1097815	0-up		4.000	2.000	I	1G6231	209.44
SS250	N/A	0871282	0-up		3.000	1.500	I	1G6745	157.85
	N/A	1219825	0-up		3.000	-	I	0983341	158.48
SS250B	N/A	0871282	0-up		3.000	1.500	I	1G6745	157.85

All manufacturer's names, part numbers and descriptions are used for reference purposes only. We do not imply that any part shown is the product of these manufacturers.

Tel.: (514) 334-2220  
Fax: (514) 333-8329

**KITS 169**

[www.sealsonline.com](http://www.sealsonline.com)

INDUSTRIAL SEAL KITS

MOBILE SEAL KITS

CATERPILLAR

## CATERPILLAR

## SCRAPER

Model	Application	Cylinder Group	Engineering Design Change Level	Cylinder Assembly Part No.	Bore	Rod	I	Ref. Number RCAT-	\$
							M		
<b>611</b>	Bowl	3G5679	2-3	3G5678	5.000	2.250	I	2410895	164.05
	Bowl	3G5679	4-up	3G5678	5.000	2.250	I	2949581	215.37
	Load	3G7274	0-2	3G7275	4.750	2.250	I	2410902	97.73
	Load	3G7274	3-up	3G7275	4.750	2.250	I	2417580	149.22
	Steering	6E3566	0-up	6E3567	4.500	2.250	I	2417585	146.17
<b>613</b>	Bowl	7J6058	0-5	7J6061	4.000	2.000	I	2378277	138.07
	Floor	7J5528	0-3	7J5527	5.000	2.500	I	2422553	125.55
	Floor	7J5528	4-up	7J5527	5.000	2.500	I	1864389	125.54
	Steering	7J6054	0-3	7J6053	4.000	2.000	I	2378277	138.07
<b>613B</b>	Bowl	7J6058	0-5	7J6061	4.000	2.000	I	2378277	138.07
	Floor	7J5528	0-3	7J5527	5.000	2.500	I	2422553	125.55
	Floor	7J5528	4-up	7J5527	5.000	2.500	I	1864389	125.54
	Steering	7J6054	0-3	7J6053	4.000	2.000	I	2378277	138.07
<b>613C</b>	Steering	1U2291	2-4	1U2290	4.000	2.000	I	2406899	51.38
	Steering	1U2291	5-up	1U2290	4.000	2.000	I	2339205	57.79
	Steering	6E2968	0-up	6E2967	3.500	2.000	I	2281778	104.05
	Steering	9T7900	0-up	9T8151	4.000	2.000	I	2339205	57.79
<b>613SC</b>	Bowl	1U3124	2-4	1U3125	4.000	2.000	I	2406899	51.38
	Bowl	1U3124	5-up	1U3125	4.000	2.000	I	2339205	57.79
	Bowl	3G5679	2-3	3G5678	5.000	2.250	I	2410895	164.05
	Bowl	3G5679	4-up	3G5678	5.000	2.250	I	2949581	215.37
	Bowl	7J6058	0-5	7J6061	4.000	2.000	I	2378277	138.07
	Bowl	9T8252	0-up	9T8253	4.000	2.000	I	2339205	57.79
	Ejector	1U2012	0-4	1U2013	3.500	2.250	I	2410903	91.16
	Ejector	1U2012	5-up	1U2013	3.500	2.250	I	2418916	173.30
	Ejector	9T8039	0-up	9T8168	3.500	2.250	I	2350355	138.44
	Floor	1U2157	3-5	1U2155	5.000	2.500	I	2430386	198.75
	Floor	1U2157	6-up	1U2155	5.000	2.500	I	2430387	179.76
	Floor	7J5528	0-3	7J5527	5.000	2.500	I	2422553	125.55
	<b>615</b>	Floor	7J5528	4-up	7J5527	5.000	2.500	I	1864389
Steering		7J6054	0-3	7J6053	4.000	2.000	I	2378277	138.07
<b>615</b>	Bowl	3G5679	2-3	3G5678	5.000	2.250	I	2410895	164.05
	Bowl	3G5679	4-up	3G5678	5.000	2.250	I	2949581	215.37
	Door	3G3883	0-6	3G3882	5.500	2.750	I	2285275	188.15
	Door	3G3883	7-up	3G3882	5.500	2.750	I	2285274	200.17
	Ejector	3G3892	0-5	3G3891	4.250	2.500	I	2422546	154.91
	Ejector	3G3892	6-up	3G3891	4.250	2.500	I	2430393	153.28
	Load	3G7274	0-2	3G7275	4.750	2.250	I	2410902	97.73
	Load	3G7274	3-up	3G7275	4.750	2.250	I	2417580	149.22
	Steering	5J1326	0-up	5J2388	5.000	2.250	I	2410895	164.05

All manufacturer's names, part numbers and descriptions are used for reference purposes only. We do not imply that any part shown is the product of these manufacturers.

INDUSTRIAL SEAL KITS

MOBILE SEAL KITS



CATERPILLAR

## SCRAPER

## CATERPILLAR

Model	Application	Cylinder Group	Engineering Design Change Level	Cylinder Assembly Part No.	Bore	Rod	I	Ref. Number RCAT-	\$	
							M			
<b>615C</b>	Load	3G7274	0-2	3G7275	4.750	2.250	I	2410902	97.73	
	Load	3G7274	3-up	3G7275	4.750	2.250	I	2417580	149.22	
	Steering	5J1326	0-up	5J2388	5.000	2.250	I	2410895	164.05	
	Steering	6E3566	0-up	6E3567	4.500	2.250	I	2417585	146.17	
<b>615SC</b>	Bowl	3G5679	2-3	3G5678	5.000	2.250	I	2410895	164.05	
	Bowl	3G5679	4-up	3G5678	5.000	2.250	I	2949581	215.37	
	Door	3G3883	0-6	3G3882	5.500	2.750	I	2285275	188.15	
	Door	3G3883	7-up	3G3882	5.500	2.750	I	2285274	200.17	
	Ejector	3G3892	0-5	3G3891	4.250	2.500	I	2422546	154.91	
	Ejector	3G3892	6-up	3G3891	4.250	2.500	I	2430393	153.28	
<b>621</b>	Ejector	3G4533	6-up	3G3891	4.250	2.500	I	2440980	179.07	
	Steering	5J1326	0-up	5J2388	5.000	2.250	I	2410895	164.05	
	Apron	5J0778	0-5	5J0777	7.250	2.750	I	2440957	231.98	
	Apron	5J0778	6-up	5J0777	7.250	2.750	I	2440954	114.79	
	Bowl LH	5J2450	0-4	5J0974	6.000	2.500	I	2422556	201.03	
	Bowl LH	5J2450	9-up	5J0974	6.000	2.500	I	2422545	173.07	
	Bowl RH	5J2449	0-4	5J0974	6.000	2.500	I	2422556	201.03	
	Bowl RH	5J2449	9-up	5J0974	6.000	2.500	I	2422545	173.07	
	Ejector	6J9689	0-7	6J9688	6.500	4.000	I	2460643	383.02	
	Ejector	6J9689	8-up	6J9688	6.500	4.000	I	2460641	238.17	
	Load	8J0204	0-up	8J0199	5.500	2.500	I	2430381	94.36	
	<b>621B</b>	Steering	3G6904	0-up		1.500	0.750	I	8T1387	64.67
		Steering	5J1326	0-up	5J2388	5.000	2.250	I	2410895	164.05
Load		8J9446	0-2	8J9447	5.500	2.500	I	2430381	94.36	
Load		8J9446	3-up	8J9447	5.500	2.500	I	2422539	164.15	
Steering		3G5192	0-1	3G5191	5.000	2.500	I	2430386	198.75	
Steering		3G5192	2-3	3G5191	5.000	2.500	I	2422542	202.87	
Steering		3G5192	4-up	3G5191	5.000	2.500	I	2430384	193.35	
Steering		3G6904	0-up		1.500	0.750	I	8T1387	64.67	
Steering		8J7376	0-up	8J7372	5.000	2.500	I	2430386	198.75	
<b>621E</b>		Load	1083592	1-up	8J9447	5.500	2.500	I	2422539	164.15
	Load	9T1803	0	8J9447	5.500	2.500	I	2430381	94.36	
	Load	9T1803	1-up	8J9447	5.500	2.500	I	2422539	164.15	
	Load	9T8935	0-up	8J9447	5.500	2.500	I	9X6027	156.11	
	Steering	4T9364	0-up		1.500	0.750	I	8T4771	81.39	
	Steering	5J1326	0-up	5J2388	5.000	2.250	I	2410895	164.05	
	<b>621F</b>	Load	1083592	1-up	8J9447	5.500	2.500	I	2422539	164.15
Steering		3G5192	0-1	3G5191	5.000	2.500	I	2430386	198.75	
Steering		3G5192	2-3	3G5191	5.000	2.500	I	2422542	202.87	
Steering		3G5192	4-up	3G5191	5.000	2.500	I	2430384	193.35	
Steering		5J1326	0-up	5J2388	5.000	2.250	I	2410895	164.05	

INDUSTRIAL  
SEAL KITS

MOBILE  
SEAL KITS



CATERPILLAR

All manufacturer's names, part numbers and descriptions are used for reference purposes only. We do not imply that any part shown is the product of these manufacturers.

Tel.: (905) 362-0889  
Fax: (888) 238-1664

**KITS 171**

[www.sealsonline.com](http://www.sealsonline.com)



## CATERPILLAR

## SCRAPER

Model	Application	Cylinder Group	Engineering Design Change Level	Cylinder Assembly Part No.	Bore	Rod	I	Ref. Number RCAT-	\$	
							M			
<b>621G</b>	Load	1083592	1-up	8J9447	5.500	2.500	I	2422539	164.15	
<b>621R</b>	Steering	3G5192	0-1	3G5191	5.000	2.500	I	2430386	198.75	
	Steering	3G5192	2-3	3G5191	5.000	2.500	I	2422542	202.87	
	Steering	3G5192	4-up	3G5191	5.000	2.500	I	2430384	193.35	
	Steering	3G6904	0-up		1.500	0.750	I	8T1387	64.67	
<b>621S</b>	Apron	5J0778	0-5	5J0777	7.250	2.750	I	2440957	231.98	
	Apron	5J0778	6-up	5J0777	7.250	2.750	I	2440954	114.79	
	Apron	6E3690	0-up	6E3691	7.250	2.750	I	2440954	114.79	
	Bowl LH	5J2450	0-4	5J0974	6.000	2.500	I	2422556	201.03	
	Bowl LH	5J2450	9-up	5J0974	6.000	2.500	I	2422545	173.07	
	Bowl RH	5J2449	0-4	5J0974	6.000	2.500	I	2422556	201.03	
	Bowl RH	5J2449	9-up	5J0974	6.000	2.500	I	2422545	173.07	
	Ejector	1U0408	0-3	6J9688	6.500	4.000	I	2460643	383.02	
	Ejector	1U0408	4-up	4T0335	6.500	4.000	I	2460641	238.17	
	Steering	3G5192	0-1	3G5191	5.000	2.500	I	2430386	198.75	
	Steering	3G5192	2-3	3G5191	5.000	2.500	I	2422542	202.87	
	Steering	3G5192	4-up	3G5191	5.000	2.500	I	2430384	193.35	
	Steering	4T9364	0-up		1.500	0.750	I	8T4771	81.39	
	<b>621SC</b>	Apron	5J0778	0-5	5J0777	7.250	2.750	I	2440957	231.98
		Apron	5J0778	6-up	5J0777	7.250	2.750	I	2440954	114.79
Apron		6E3690	0-up	6E3691	7.250	2.750	I	2440954	114.79	
Bowl LH		5J2450	0-4	5J0974	6.000	2.500	I	2422556	201.03	
	Bowl LH	5J2450	9-up	5J0974	6.000	2.500	I	2422545	173.07	
	Bowl RH	5J2449	0-4	5J0974	6.000	2.500	I	2422556	201.03	
	Bowl RH	5J2449	9-up	5J0974	6.000	2.500	I	2422545	173.07	
	Ejector	1U0408	0-3	6J9688	6.500	4.000	I	2460643	383.02	
	Ejector	1U0408	4-up	4T0335	6.500	4.000	I	2460641	238.17	
	Ejector	6J9689	0-7	6J9688	6.500	4.000	I	2460643	383.02	
	Ejector	6J9689	8-up	6J9688	6.500	4.000	I	2460641	238.17	
	Ejector	9T4885	0-2	4T0335	6.500	4.000	I	2460643	383.02	
	Ejector	9T4885	3-up	4T0335	6.500	4.000	I	2460641	238.17	
	Load	8J0204	0-up	8J0199	5.500	2.500	I	2430381	94.36	
	Steering	3G5192	0-1	3G5191	5.000	2.500	I	2430386	198.75	
	Steering	3G5192	2-3	3G5191	5.000	2.500	I	2422542	202.87	
		Steering	3G5192	4-up	3G5191	5.000	2.500	I	2430384	193.35
Steering		3G6904	0-up		1.500	0.750	I	8T1387	64.67	
Steering		4T9364	0-up		1.500	0.750	I	8T4771	81.39	
Steering		5J1326	0-up	5J2388	5.000	2.250	I	2410895	164.05	
<b>623</b>	Ejector	8J5478	0	8J5475	5.000	2.500	I	2430386	198.75	
	Ejector	8J5478	1	8J5475	5.000	2.500	I	2422542	202.87	
	Ejector	8J5478	2-up	8J5475	5.000	2.500	I	2430384	193.35	
	Floor	8J1821	2-up	8J1820	6.000	3.000	I	2442062	242.29	
	Lift	8J1876	5-up	8J1869	6.000	2.500	I	2422545	173.07	
	Load	8J0204	0-up	8J0199	5.500	2.500	I	2430381	94.36	

All manufacturer's names, part numbers and descriptions are used for reference purposes only. We do not imply that any part shown is the product of these manufacturers.

INDUSTRIAL SEAL KITS

MOBILE SEAL KITS



CATERPILLAR

## SCRAPER

## CATERPILLAR

Model	Application	Cylinder Group	Engineering Design Change Level	Cylinder Assembly Part No.	Bore	Rod	I	Ref. Number RCAT-	\$
							M		
<b>623B</b>	Steering	3G6904	0-up		1.500	0.750	I	8T1387	64.67
	Steering	5J1326	0-up	5J2388	5.000	2.250	I	2410895	164.05
	Load	8J9446	0-2	8J9447	5.500	2.500	I	2430381	94.36
	Load	8J9446	3-up	8J9447	5.500	2.500	I	2422539	164.15
	Steering	3G5192	0-1	3G5191	5.000	2.500	I	2430386	198.75
	Steering	3G5192	2-3	3G5191	5.000	2.500	I	2422542	202.87
	Steering	3G5192	4-up	3G5191	5.000	2.500	I	2430384	193.35
	Steering	3G6904	0-up		1.500	0.750	I	8T1387	64.67
<b>623E</b>	Steering	8J7376	0-up	8J7372	5.000	2.500	I	2430386	198.75
	Load	1083592	1-up	8J9447	5.500	2.500	I	2422539	164.15
	Load	9T1803	0	8J9447	5.500	2.500	I	2430381	94.36
	Load	9T1803	1-up	8J9447	5.500	2.500	I	2422539	164.15
	Load	9T8935	0-up	8J9447	5.500	2.500	I	9X6027	156.11
Steering	4T9364	0-up		1.500	0.750	I	8T4771	81.39	
<b>623F</b>	Load	1083592	1-up	8J9447	5.500	2.500	I	2422539	164.15
<b>623SC</b>	Ejector	8J5478	0	8J5475	5.000	2.500	I	2430386	198.75
	Ejector	8J5478	1	8J5475	5.000	2.500	I	2422542	202.87
	Ejector	8J5478	2-up	8J5475	5.000	2.500	I	2430384	193.35
	Floor	8J1821	2-up	8J1820	6.000	3.000	I	2442062	242.29
<b>623SCG</b>	Lift	8J1876	5-up	8J1869	6.000	2.500	I	2422545	173.07
	Load	8J0204	0-up	8J0199	5.500	2.500	I	2430381	94.36
	Steering	3G5192	0-1	3G5191	5.000	2.500	I	2430386	198.75
	Steering	3G5192	2-3	3G5191	5.000	2.500	I	2422542	202.87
	Steering	3G5192	4-up	3G5191	5.000	2.500	I	2430384	193.35
	Steering	3G6904	0-up		1.500	0.750	I	8T1387	64.67
	Steering	5J1326	0-up	5J2388	5.000	2.250	I	2410895	164.05
<b>627</b>	Ejector	8J5478	0	8J5475	5.000	2.500	I	2430386	198.75
	Ejector	8J5478	1	8J5475	5.000	2.500	I	2422542	202.87
	Ejector	8J5478	2-up	8J5475	5.000	2.500	I	2430384	193.35
	Lift	8J1876	5-up	8J1869	6.000	2.500	I	2422545	173.07
<b>627</b>	Steering	3G5192	0-1	3G5191	5.000	2.500	I	2430386	198.75
	Steering	3G5192	2-3	3G5191	5.000	2.500	I	2422542	202.87
	Steering	3G5192	4-up	3G5191	5.000	2.500	I	2430384	193.35
	Apron	5J0778	0-5	5J0777	7.250	2.750	I	2440957	231.98
	Apron	5J0778	6-up	5J0777	7.250	2.750	I	2440954	114.79
	Bail	7J2377	0-up	4J4848	3.500	2.000	I	2408515	122.59
	Bail	8J6064	0-up	8J6062	3.500	2.000	I	2408515	122.59
Bowl LH	5J2450	0-4	5J0974	6.000	2.500	I	2422556	201.03	
Bowl LH	5J2450	9-up	5J0974	6.000	2.500	I	2422545	173.07	

INDUSTRIAL  
SEAL KITS

MOBILE  
SEAL KITS



CATERPILLAR

All manufacturer's names, part numbers and descriptions are used for reference purposes only. We do not imply that any part shown is the product of these manufacturers.

Tel.: (204) 783-9617  
Fax: (204) 783-6091

**KITS 173**

[www.sealsonline.com](http://www.sealsonline.com)

## CATERPILLAR

## SCRAPER

Model	Application	Cylinder Group	Engineering Design Change Level	Cylinder Assembly Part No.	Bore	Rod	I	Ref. Number RCAT-	\$
							M		
	Bowl RH	5J2449	0-4	5J0974	6.000	2.500	I	2422556	201.03
	Bowl RH	5J2449	9-up	5J0974	6.000	2.500	I	2422545	173.07
	Ejector	1U0408	0-3	6J9688	6.500	4.000	I	2460643	383.02
	Ejector	1U0408	4-up	4T0335	6.500	4.000	I	2460641	238.17
	Load	8J0204	0-up	8J0199	5.500	2.500	I	2430381	94.36
	Steering	3G6904	0-up		1.500	0.750	I	8T1387	64.67
	Steering	5J1326	0-up	5J2388	5.000	2.250	I	2410895	164.05
<b>627B</b>	Bail	8J8458	0-up	8J8457	3.500	1.500	I	2465914	96.40
	Load	8J9446	0-2	8J9447	5.500	2.500	I	2430381	94.36
	Load	8J9446	3-up	8J9447	5.500	2.500	I	2422539	164.15
	Steering	3G5192	0-1	3G5191	5.000	2.500	I	2430386	198.75
	Steering	3G5192	2-3	3G5191	5.000	2.500	I	2422542	202.87
	Steering	3G5192	4-up	3G5191	5.000	2.500	I	2430384	193.35
	Steering	3G6904	0-up		1.500	0.750	I	8T1387	64.67
	Steering	8J7376	0-up	8J7372	5.000	2.500	I	2430386	198.75
<b>627E</b>	Bail	4T5638	0-up	4T5639	3.000	1.750	I	2402016	95.33
	Load	1083592	1-up	8J9447	5.500	2.500	I	2422539	164.15
	Load	9T1803	0	8J9451	5.500	2.500	I	2430381	94.36
	Load	9T1803	1-up	8J9447	5.500	2.500	I	2422539	164.15
	Load	9T8935	0-up	8J9447	5.500	2.500	I	9X6027	156.11
	Steering	4T9364	0-up		1.500	0.750	I	8T4771	81.39
<b>627F</b>	Bail	6E0801	0-up	6E0802	3.000	1.750	I	2275350	29.94
	Load	1083592	1-up	8J9447	5.500	2.500	I	2422539	164.15
<b>627SC</b>	Apron	5J0778	0-5	5J0777	7.250	2.750	I	2440957	231.98
	Apron	5J0778	6-up	5J0777	7.250	2.750	I	2440954	114.79
	Apron	6E3690	0-up	6E3691	7.250	2.750	I	2440954	114.79
	Bail	7J2377	0-up	4J4848	3.500	2.000	I	2408515	122.59
	Bail	8J6064	0-up	8J6062	3.500	2.000	I	2408515	122.59
	Bowl LH	5J2450	0-4	5J0974	6.000	2.500	I	2422556	201.03
	Bowl LH	5J2450	9-up	5J0974	6.000	2.500	I	2422545	173.07
	Bowl RH	5J2449	0-4	5J0974	6.000	2.500	I	2422556	201.03
	Bowl RH	5J2449	9-up	5J0974	6.000	2.500	I	2422545	173.07
	Ejector	1U0408	0-3	6J9688	6.500	4.000	I	2460643	383.02
	Ejector	1U0408	4-up	4T0335	6.500	4.000	I	2460641	238.17
	Ejector	9T4885	0-2	4T0335	6.500	4.000	I	2460643	383.02
	Ejector	9T4885	3-up	4T0335	6.500	4.000	I	2460641	238.17
	Load	8J0204	0-up	8J0199	5.500	2.500	I	2430381	94.36
	Steering	3G5192	0-1	3G5191	5.000	2.500	I	2430386	198.75
	Steering	3G5192	2-3	3G5191	5.000	2.500	I	2422542	202.87
	Steering	3G5192	4-up	3G5191	5.000	2.500	I	2430384	193.35
	Steering	3G6904	0-up		1.500	0.750	I	8T1387	64.67
	Steering	5J1326	0-up	5J2388	5.000	2.250	I	2410895	164.05

All manufacturer's names, part numbers and descriptions are used for reference purposes only. We do not imply that any part shown is the product of these manufacturers.

INDUSTRIAL SEAL KITS

MOBILE SEAL KITS



CATERPILLAR

## SCRAPER

## CATERPILLAR

Model	Application	Cylinder Group	Engineering Design Change Level	Cylinder Assembly Part No.	Bore	Rod	I	Ref. Number RCAT-	\$	
							M			
<b>630B</b>	Bowl	6J1983	0-up	6J1980	8.250	3.000	I	2442069	359.18	
	Ejector	6J1419	8-10	6J1418	8.250	6.000	I	1891778	704.62	
	Ejector	6J1419	11-UP	6J1418	8.250	6.000	I	2463442	697.25	
<b>631B</b>	Bowl	7J0243	3-up	7J0242	7.250	2.750	I	2435820	205.54	
	Ejector	6J1419	8-10	6J1418	8.250	6.000	I	1891778	704.62	
	Ejector	6J1419	11-up	6J1418	8.250	6.000	I	2463442	697.25	
	Lift	3G9677	0	3G9678	7.250	2.750	I	2435820	205.54	
	Lift	3G9677	1-up	3G9678	7.250	2.750	I	2435814	252.61	
	Steering	3G6904	0-up		1.500	0.750	I	8T1387	64.67	
	Steering	3J9031	0-6	2J9336	6.500	2.500	I	2435797	177.39	
	Steering	3J9031	7-up	2J9336	6.500	2.500	I	2430382	80.39	
	Steering	5J1250	0-5	5J1249	6.500	2.500	I	2435797	177.39	
	Steering	5J1250	6-up	5J1249	6.500	2.500	I	2430382	80.39	
	Steering	5J7806	0-7	5J7805	6.500	2.500	I	2435797	177.39	
	Steering	5J7806	8-up	5J7805	6.500	2.500	I	2430382	80.39	
	Steering RH	7J1693	0-6	5J7805	6.500	2.500	I	2435797	177.39	
	Steering RH	7J1693	7-up	8J3543	6.500	2.500	I	2430382	80.39	
	<b>631C</b>	Apron	8J5931	0-up	8J5930	8.250	3.000	I	2442069	359.18
		Ejector	6J1419	8-10	6J1418	8.250	6.000	I	1891778	704.62
		Ejector	6J1419	11-up	6J1418	8.250	6.000	I	2463442	697.25
	Lift	7J2395	0-5	7J2393	7.250	2.750	I	2435820	205.54	
	Lift	7J2395	6-up	7J2393	7.250	2.750	I	2435814	252.61	
	Lift	7J2396	0-5	7J2394	7.250	2.750	I	2435820	205.54	
	Lift LH	7J2396	6-up	7J2394	7.250	2.750	I	2435814	252.61	
	Lift RH	7J2395	0-5	7J2393	7.250	2.750	I	2435820	205.54	
	Lift RH	7J2395	6-up	7J2393	7.250	2.750	I	2435814	252.61	
	Load	7J3386	0-up		6.000	2.500	I	2422558	276.49	
	Load	9J0537	0-2	9J1188	6.500	2.500	I	2435797	177.39	
	Load	9J0537	3-up	9J1188	6.500	2.500	I	9X6024	151.48	
	Steering	3G6904	0-up		1.500	0.750	I	8T1387	64.67	
	Steering	5J7806	0-7	5J7805	6.500	2.500	I	2435797	177.39	
	Steering	5J7806	8-up	5J7805	6.500	2.500	I	2430382	80.39	
	<b>631D</b>	Load	1083591	1-up	8J9960	6.500	2.500	I	2435803	179.61
Load		8J9959	0-6	8J9960	6.500	2.500	I	2435797	177.39	
Load		8J9959	8-up	8J9960	6.500	2.500	I	9X6024	151.48	
Steering		3G6904	0-up		1.500	0.750	I	8T1387	64.67	
Steering		3G7607	0-1	3G7608	6.500	2.750	I	2355802	162.70	
Steering		3G7607	2-up	3G7608	6.500	2.750	I	2355804	202.37	
<b>631E</b>	Load	1083591	1-up	8J9960	6.500	2.500	I	2435803	179.61	
	Load	8J9959	0-6	8J9960	6.500	2.500	I	2435797	177.39	
	Load	8J9959	8-up	8J9960	6.500	2.500	I	9X6024	151.48	
	Steering	3G7607	0-1	3G7608	6.500	2.750	I	2355802	162.70	
	Steering	3G7607	2-up	3G7608	6.500	2.750	I	2355804	202.37	
	Steering	4T9364	0-up		1.500	0.750	I	8T4771	81.39	

INDUSTRIAL  
SEAL KITS

MOBILE  
SEAL KITS



CATERPILLAR

All manufacturer's names, part numbers and descriptions are used for reference purposes only. We do not imply that any part shown is the product of these manufacturers.

Tel.: (780) 414-1871  
Fax: (780) 487-5419

**KITS 175**

[www.sealsonline.com](http://www.sealsonline.com)

## CATERPILLAR

## SCRAPER

Model	Application	Cylinder Group	Engineering Design Change Level	Cylinder Assembly Part No.	Bore	Rod	I	Ref. Number RCAT-	\$
							M		
	Steering	5J7806	0-7	5J7805	6.500	2.500	I	2435797	177.39
	Steering	5J7806	8-up	5J7805	6.500	2.500	I	2430382	80.39
<b>631G</b>	Load	1083591	1-up	8J9960	6.500	2.500	I	2435803	179.61
<b>631SC</b>	Apron	8J5931	0-up	8J5930	8.250	3.000	I	2442069	359.18
	Ejector	6E0897	0	6E0904	8.250	6.000	I	1891778	704.62
	Ejector	6E0897	1-up	6E0904	8.250	6.000	I	2463442	697.25
	Ejector	6E0905	0	6E0904	8.250	6.000	I	1891778	704.62
	Ejector	6E0905	1-up	6E0904	8.250	6.000	I	2463442	697.25
	Ejector	6J1419	8-10	6J1418	8.250	6.000	I	1891778	704.62
	Ejector	6J1419	11-up	6J1418	8.250	6.000	I	2463442	697.25
	Ejector	6J5824	7-10	6J5825	8.250	6.000	I	1891778	704.62
	Ejector	6J5824	11-up	6J5825	8.250	6.000	I	2463442	697.25
	Ejector	9T3595	0-up	9T3594	8.250	6.000	I	1891778	704.62
	Ejector	9T4887	0-up	9T3594	8.250	6.000	I	1891778	704.62
	Lift	7J2395	0-5	7J2393	7.250	2.750	I	2435820	205.54
	Lift	7J2395	6-up	7J2393	7.250	2.750	I	2435814	252.61
	Lift	7J2396	0-5	7J2394	7.250	2.750	I	2435820	205.54
	Lift	7J2396	6-up	7J2394	7.250	2.750	I	2435814	252.61
	Lift	9J0408	0-6		7.250	2.750	I	2435820	205.54
	Lift	9J0408	7-up		7.250	2.750	I	2435814	252.61
	Lift	9J0409	0-6		7.250	2.750	I	2435820	205.54
	Lift	9J0409	7-up		7.250	2.750	I	2435814	252.61
	Lift LH	7J2396	0-5	7J2394	7.250	2.750	I	2435820	205.54
	Lift LH	7J2396	6-up	7J2394	7.250	2.750	I	2435814	252.61
	Lift LH	9J0409	0-6	9J8232	7.250	2.750	I	2435820	205.54
	Lift LH	9J0409	7-up	9J8232	7.250	2.750	I	2435814	252.61
	Lift RH	7J2395	0-5	7J2393	7.250	2.750	I	2435820	205.54
	Lift RH	7J2395	6-up	7J2393	7.250	2.750	I	2435814	252.61
	Lift RH	9J0408	0-6	9J8231	7.250	2.750	I	2435820	205.54
	Lift RH	9J0408	7-up	9J8231	7.250	2.750	I	2435814	252.61
	Load	7J3386	0		6.000	2.500	I	2422558	276.49
	Load	7J3386	1-up	7J3381	6.000	2.500	I	2422558	276.49
	Load	9J0537	0-2	9J1188	6.500	2.500	I	2435797	177.39
	Load	9J0537	3-up	9J1188	6.500	2.500	I	9X6024	151.48
	Steering	3G6904	0-up		1.500	0.750	I	8T1387	64.67
	Steering	3G7607	0-1	3G7608	6.500	2.750	I	2355802	162.70
	Steering	3G7607	2-up	3G7608	6.500	2.750	I	2355804	202.37
	Steering	3J9031	0-6	2J9336	6.500	2.500	I	2435797	177.39
	Steering	3J9031	7-up	2J9336	6.500	2.500	I	2430382	80.39
	Steering	5J1250	0-5	5J1249	6.500	2.500	I	2435797	177.39
	Steering	5J1250	6-up	5J1249	6.500	2.500	I	2430382	80.39
	Steering	5J7806	0-7	5J7805	6.500	2.500	I	2435797	177.39
	Steering	5J7806	8-up	5J7805	6.500	2.500	I	2430382	80.39

All manufacturer's names, part numbers and descriptions are used for reference purposes only. We do not imply that any part shown is the product of these manufacturers.

INDUSTRIAL SEAL KITS

MOBILE SEAL KITS



CATERPILLAR

## SCRAPER

## CATERPILLAR

Model	Application	Cylinder Group	Engineering Design Change Level	Cylinder Assembly Part No.	Bore	Rod	I	Ref. Number RCAT-	\$	
							M			
<b>633</b>	Bowl	7J0243	3-up	7J0242	7.250	2.750	I	2435820	205.54	
	Lift	3G9677	0	3G9678	7.250	2.750	I	2435820	205.54	
	Lift	3G9677	1-up	3G9678	7.250	2.750	I	2435814	252.61	
	Steering	5J7806	0-7	5J7805	6.500	2.500	I	2435797	177.39	
	Steering	5J7806	8-up	5J7805	6.500	2.500	I	2430382	80.39	
	Steering RH	7J1693	0-6	5J7805	6.500	2.500	I	2435797	177.39	
	Steering RH	7J1693	7-up	8J3543	6.500	2.500	I	2430382	80.39	
<b>633C</b>	Bowl	7J0243	3-up	7J0242	7.250	2.750	I	2435820	205.54	
	Lift	3G9677	0	3G9678	7.250	2.750	I	2435820	205.54	
	Lift	3G9677	1-up	3G9678	7.250	2.750	I	2435814	252.61	
	Load	7J3386	0-up		6.000	2.500	I	2422558	276.49	
	Load	9J0537	0-2	9J1188	6.500	2.500	I	2435797	177.39	
	Load	9J0537	3-up	9J1188	6.500	2.500	I	9X6024	151.48	
	Steering	3G6904	0-up		1.500	0.750	I	8T1387	64.67	
	Steering	5J7806	0-7	5J7805	6.500	2.500	I	2435797	177.39	
	Steering	5J7806	8-up	5J7805	6.500	2.500	I	2430382	80.39	
	Steering	6J1516	0-7	5J7805	6.500	2.500	I	2435797	177.39	
	Steering	6J1516	8-up	8J3543	6.500	2.500	I	2430382	80.39	
	Steering	8J3544	0-2	8J3543	6.500	2.500	I	2435797	177.39	
	Steering	8J3544	3-up	8J3543	6.500	2.500	I	2430382	80.39	
	Steering RH	7J1693	0-6	5J7805	6.500	2.500	I	2435797	177.39	
	Steering RH	7J1693	7-up	8J3543	6.500	2.500	I	2430382	80.39	
<b>633D</b>	Load	1083591	1-up	8J9960	6.500	2.500	I	2435803	179.61	
	Load	8J9959	0-6	8J9960	6.500	2.500	I	2435797	177.39	
	Load	8J9959	8-up	8J9960	6.500	2.500	I	9X6024	151.48	
	Steering	3G6904	0-up		1.500	0.750	I	8T1387	64.67	
	Steering	3G7607	0-1	3G7608	6.500	2.750	I	2355802	162.70	
	Steering	3G7607	2-up	3G7608	6.500	2.750	I	2355804	202.37	
	Steering	1083591	1-up	8J9960	6.500	2.500	I	2435803	179.61	
<b>633E</b>	Load	1083591	1-up	8J9960	6.500	2.500	I	2435803	179.61	
	<b>633SC</b>	Bowl	1313223	0-up	1314126	7.250	2.750	I	2435814	252.61
		Bowl	7J0243	3-up	7J0242	7.250	2.750	I	2435820	205.54
		Ejector	1U0408	0-3	6J9688	6.500	4.000	I	2460643	383.02
Ejector		1U0408	4-up	4T0335	6.500	4.000	I	2460641	238.17	
	Lift	3G9677	0	3G9678	7.250	2.750	I	2435820	205.54	
	Lift	3G9677	1-up	3G9678	7.250	2.750	I	2435814	252.61	
	Load	7J3386	0-up		6.000	2.500	I	2422558	276.49	
	Load	9J0537	0-2	9J1188	6.500	2.500	I	2435797	177.39	
	Load	9J0537	3-up	9J1188	6.500	2.500	I	9X6024	151.48	
	Steering	3G6904	0-up		1.500	0.750	I	8T1387	64.67	
	Steering	3G7607	0-1	3G7608	6.500	2.750	I	2355802	162.70	
	Steering	3G7607	2-up	3G7608	6.500	2.750	I	2355804	202.37	
	Steering	5J7806	0-7	5J7805	6.500	2.500	I	2435797	177.39	
	Steering	5J7806	8-up	5J7805	6.500	2.500	I	2430382	80.39	
	Steering	6J1516	0-7	5J7805	6.500	2.500	I	2435797	177.39	
	Steering	6J1516	8-up	8J3543	6.500	2.500	I	2430382	80.39	

All manufacturer's names, part numbers and descriptions are used for reference purposes only. We do not imply that any part shown is the product of these manufacturers.

Tel.: (403) 279-1871  
Fax: (403) 279-1821

**KITS 177**

[www.sealsonline.com](http://www.sealsonline.com)

INDUSTRIAL  
SEAL KITS

MOBILE  
SEAL KITS



CATERPILLAR

## CATERPILLAR

## SCRAPER

Model	Application	Cylinder Group	Engineering Design Change Level	Cylinder Assembly Part No.	Bore	Rod	I	Ref. Number RCAT-	\$
							M		
<b>637</b>	Steering	8J3544	0-2	8J3543	6.500	2.500	I	2435797	177.39
	Steering	8J3544	3-up	8J3543	6.500	2.500	I	2430382	80.39
	Steering RH	7J1693	0-6	5J7805	6.500	2.500	I	2435797	177.39
	Steering RH	7J1693	7-up	8J3543	6.500	2.500	I	2430382	80.39
	Apron	8J5931	0-up	8J5930	8.250	3.000	I	2442069	359.18
	Bail	7J2377	0-up	4J4848	3.500	2.000	I	2408515	122.59
	Bail	8J6064	0-up	8J6062	3.500	2.000	I	2408515	122.59
	Ejector	6J5824	7-10	6J5825	8.250	6.000	I	1891778	704.62
	Ejector	6J5824	11-UP	6J5825	8.250	6.000	I	2463442	697.25
	Lift	7J2395	0-5	7J2393	7.250	2.750	I	2435820	205.54
Lift	7J2395	6-up	7J2393	7.250	2.750	I	2435814	252.61	
<b>637D</b>	Lift	7J2396	0-5		7.250	2.750	I	2435820	205.54
	Lift LH	7J2396	6-up	7J2394	7.250	2.750	I	2435814	252.61
	Lift RH	7J2395	0-5	7J2393	7.250	2.750	I	2435820	205.54
	Lift RH	7J2395	6-up	7J2393	7.250	2.750	I	2435814	252.61
	Load	7J3386	0-up		6.000	2.500	I	2422558	276.49
	Load	9J0537	0-2	9J1188	6.500	2.500	I	2435797	177.39
	Load	9J0537	3-up	9J1188	6.500	2.500	I	9X6024	151.48
	Steering	3G6904	0-up		1.500	0.750	I	8T1387	64.67
	Steering	5J7806	0-7	5J7805	6.500	2.500	I	2435797	177.39
	Steering	5J7806	8-up	5J7805	6.500	2.500	I	2430382	80.39
<b>637E</b>	Bail	8J8458	0-up	8J8457	3.500	1.500	I	2465914	96.40
	Load	1083591	1-up	8J9960	6.500	2.500	I	2435803	179.61
	Load	8J9959	0-6	8J9960	6.500	2.500	I	2435797	177.39
	Load	8J9959	8-up	8J9960	6.500	2.500	I	9X6024	151.48
	Steering	3G6904	0-up		1.500	0.750	I	8T1387	64.67
	Steering	3G7607	0-1	3G7608	6.500	2.750	I	2355802	162.70
	Steering	3G7607	2-up	3G7608	6.500	2.750	I	2355804	202.37
	Bail	4T5638	0-up	4T5639	3.000	1.750	I	2402016	95.33
	Load	1083591	1-up	8J9960	6.500	2.500	I	2435803	179.61
	Load	8J9959	0-6	8J9960	6.500	2.500	I	2435797	177.39
<b>637G</b>	Load	8J9959	8-up	8J9960	6.500	2.500	I	9X6024	151.48
	Steering Follow-Up	4T9364	0-up		1.500	0.750	I	8T4771	81.39
<b>637SC</b>	Load	1083591	1-up	8J9960	6.500	2.500	I	2435803	179.61
	Apron	8J5931	0-up	8J5930	8.250	3.000	I	2442069	359.18
	Bail	7J2377	0-up	4J4848	3.500	2.000	I	2408515	122.59
	Bail	8J6064	0-up	8J6062	3.500	2.000	I	2408515	122.59
	Ejector	6E0897	0	6E0904	8.250	6.000	I	1891778	704.62
	Ejector	6E0897	1-up	6E0904	8.250	6.000	I	2463442	697.25
	Ejector	6E0905	0	6E0904	8.250	6.000	I	1891778	704.62
	Ejector	6E0905	1-up	6E0904	8.250	6.000	I	2463442	697.25
	Ejector	6J5824	7-10	6J5825	8.250	6.000	I	1891778	704.62
	Ejector	6J5824	11-up	6J5825	8.250	6.000	I	2463442	697.25
Ejector	9T3595	0-up	9T3594	8.250	6.000	I	1891778	704.62	

All manufacturer's names, part numbers and descriptions are used for reference purposes only. We do not imply that any part shown is the product of these manufacturers.

INDUSTRIAL SEAL KITS

MOBILE SEAL KITS



CATERPILLAR

## SCRAPER

## CATERPILLAR

Model	Application	Cylinder Group	Engineering Design Change Level	Cylinder Assembly Part No.	Bore	Rod	I	Ref. Number RCAT-	\$
							M		
	Ejector	9T4887	0-up	9T3594	8.250	6.000	I	1891778	704.62
	Lift	7J2395	0-5	7J2393	7.250	2.750	I	2435820	205.54
	Lift	7J2395	6-up	7J2393	7.250	2.750	I	2435814	252.61
	Lift	7J2396	0-5	7J2394	7.250	2.750	I	2435820	205.54
	Lift	7J2396	6-up	7J2394	7.250	2.750	I	2435814	252.61
	Lift	9J0408	0-6		7.250	2.750	I	2435820	205.54
	Lift	9J0408	7-up		7.250	2.750	I	2435814	252.61
	Lift	9J0409	0-6		7.250	2.750	I	2435820	205.54
	Lift	9J0409	7-up		7.250	2.750	I	2435814	252.61
	Lift LH	7J2396	0-5	7J2394	7.250	2.750	I	2435820	205.54
	Lift LH	7J2396	6-up	7J2394	7.250	2.750	I	2435814	252.61
	Lift LH	9J0409	0-6	9J8232	7.250	2.750	I	2435820	205.54
	Lift LH	9J0409	7-up	9J8232	7.250	2.750	I	2435814	252.61
	Lift RH	7J2395	0-5	7J2393	7.250	2.750	I	2435820	205.54
	Lift RH	7J2395	6-up	7J2393	7.250	2.750	I	2435814	252.61
Lift RH	9J0408	0-6	9J8231	7.250	2.750	I	2435820	205.54	
Lift RH	9J0408	7-up	9J8231	7.250	2.750	I	2435814	252.61	
Load	7J3386	0-up		6.000	2.500	I	2422558	276.49	
Load	9J0537	0-2	9J1188	6.500	2.500	I	2435797	177.39	
Load	9J0537	3-up	9J1188	6.500	2.500	I	9X6024	151.48	
Steering	3G6904	0-up		1.500	0.750	I	8T1387	64.67	
Steering	3G7607	0-1	3G7608	6.500	2.750	I	2355802	162.70	
Steering	3G7607	2-up	3G7608	6.500	2.750	I	2355804	202.37	
Steering	5J7806	0-7	5J7805	6.500	2.500	I	2435797	177.39	
Steering	5J7806	8-up	5J7805	6.500	2.500	I	2430382	80.39	
<b>639D</b>	Load	1083591	1-up	8J9960	6.500	2.500	I	2435803	179.61
	Load	8J9959	0-6	8J9960	6.500	2.500	I	2435797	177.39
	Load	8J9959	8-up	8J9960	6.500	2.500	I	9X6024	151.48
	Steering	3G6904	0-up		1.500	0.750	I	8T1387	64.67
	Steering	3G7607	0-1	3G7608	6.500	2.750	I	2355802	162.70
Steering	3G7607	2-up	3G7608	6.500	2.750	I	2355804	202.37	
<b>639SC</b>	Lift	3G9677	0	3G9678	7.250	2.750	I	2435820	205.54
	Lift	3G9677	1-up	3G9678	7.250	2.750	I	2435814	252.61
<b>641</b>	Apron	5J8117	2-6	3J7521	9.250	3.250	I	2450602	205.94
	Apron	5J8117	7-up	3J7521	9.250	3.250	I	2450603	319.24
	Bowl	6J1983	0-up	6J1980	8.250	3.000	I	2442069	359.18
	Bowl LH	7J4364	0-up	7J4362	8.250	3.000	I	2442069	359.18
	Bowl RH	7J4363	0-up	7J4361	8.250	3.000	I	2442069	359.18
	Load	5J8623	5-up	5J8620	8.250	3.500	I	2460638	176.79
	Steering	3G6904	0-up		1.500	0.750	I	8T1387	64.67
	Steering	3G9689	1-up	3G9688	7.250	2.750	I	2435820	205.54
	Steering	3G9689	1-up	3G9688	7.250	2.750	I	2435820	205.54
<b>641B</b>	Apron	5J8117	2-6	3J7521	9.250	3.250	I	2450602	205.94
	Apron	5J8117	7-up	3J7521	9.250	3.250	I	2450603	319.24
	Bowl LH	7J4364	0-up	7J4362	8.250	3.000	I	2442069	359.18

All manufacturer's names, part numbers and descriptions are used for reference purposes only. We do not imply that any part shown is the product of these manufacturers.

Tel.: (604) 278-6808  
Fax: (604) 278-6180

**KITS 179**

[www.sealsonline.com](http://www.sealsonline.com)

INDUSTRIAL  
SEAL KITS

MOBILE  
SEAL KITS



CATERPILLAR



## CATERPILLAR

## SCRAPER

Model	Application	Cylinder Group	Engineering Design Change Level	Cylinder Assembly Part No.	Bore	Rod	I	Ref. Number RCAT-	\$
							M		
641SC	Bowl RH	7J4363	0-up	7J4361	8.250	3.000	I	2442069	359.18
	Load	5J8623	5-up	5J8620	8.250	3.500	I	2460638	176.79
	Load	7J4623	0-3	7J4622	8.250	3.500	I	2460638	176.79
	Load	7J4623	4-up	7J4622	8.250	3.500	I	2456827	393.16
	Steering	3G6904	0-up		1.500	0.750	I	8T1387	64.67
	Steering	3G9689	1-up	3G9688	7.250	2.750	I	2435820	205.54
	Apron	5J8117	2-6	3J7521	9.250	3.250	I	2450602	205.94
Apron	5J8117	7-up	3J7521	9.250	3.250	I	2450603	319.24	
Bowl	6J1983	0-up	6J1980	8.250	3.000	I	2442069	359.18	
Bowl LH	7J4364	0-up	7J4362	8.250	3.000	I	2442069	359.18	
Bowl RH	7J4363	0-up	7J4361	8.250	3.000	I	2442069	359.18	
Load	5J8623	5-up	5J8620	8.250	3.500	I	2460638	176.79	
650	Load	7J4623	0-3	7J4622	8.250	3.500	I	2460638	176.79
	Load	7J4623	4-up	7J4622	8.250	3.500	I	2456827	393.16
	Steering	3G6904	0-up		1.500	0.750	I	8T1387	64.67
	Steering	3G9689	1-up	3G9688	7.250	2.750	I	2435820	205.54
650SC	Ejector	6J9889	2-9	6J9888	10.250	7.250	I	2481193	617.58
	Ejector	6J9889	10-up	6J9888	10.250	7.250	I	1891796	692.49
	Special Application	4J2064	0-up	4J2057	6.000	2.500	I	2422556	201.03
650SC	Ejector	6J9889	2-9	6J9888	10.250	7.250	I	2481193	617.58
	Ejector	6J9889	10-up	6J9888	10.250	7.250	I	1891796	692.49
651	Apron	5J8117	2-6	3J7521	9.250	3.250	I	2450602	205.94
	Apron	5J8117	7-up	3J7521	9.250	3.250	I	2450603	319.24
	Bowl	7J4397	0-3	7J4342	9.250	3.250	I	2450607	161.26
	Bowl	7J4397	4-up	7J4342	9.250	3.250	I	2450609	240.57
	Bowl RH	7J4397	0-3	7J4341	9.250	3.250	I	2450607	161.26
	Bowl RH	7J4397	4-up	7J4341	9.250	3.250	I	2450609	240.57
	Ejector	6J9889	2-9	6J9888	10.250	7.250	I	2481193	617.58
651B	Ejector	6J9889	10-up	6J9888	10.250	7.250	I	1891796	692.49
	Load	5J8623	5-up	5J8620	8.250	3.500	I	2460638	176.79
	Steering	3G6904	0-up		1.500	0.750	I	8T1387	64.67
	Steering	3G9689	1-up	3G9688	7.250	2.750	I	2435820	205.54
	Apron	5J8117	2-6	3J7521	9.250	3.250	I	2450602	205.94
	Apron	5J8117	7-up	3J7521	9.250	3.250	I	2450603	319.24
Bowl	7J4397	0-3	7J4342	9.250	3.250	I	2450607	161.26	
Bowl	7J4397	4-up	7J4342	9.250	3.250	I	2450609	240.57	
Bowl RH	7J4397	0-3	7J4341	9.250	3.250	I	2450607	161.26	
Bowl RH	7J4397	4-up	7J4341	9.250	3.250	I	2450609	240.57	
Ejector	6J2889	2-8	6J9888	10.250	7.250	I	2481193	617.58	
Ejector	6J9889	2-9	6J9888	10.250	7.250	I	2481193	617.58	
Ejector	6J9889	10-up	6J9888	10.250	7.250	I	1891796	692.49	
Load	5J8623	5-up	5J8620	8.250	3.500	I	2460638	176.79	
Load	7J4623	0-3	7J4622	8.250	3.500	I	2460638	176.79	
Load	7J4623	4-up	7J4622	8.250	3.500	I	2456827	393.16	

All manufacturer's names, part numbers and descriptions are used for reference purposes only. We do not imply that any part shown is the product of these manufacturers.

INDUSTRIAL SEAL KITS

MOBILE SEAL KITS



CATERPILLAR

## SCRAPER

## CATERPILLAR

Model	Application	Cylinder Group	Engineering Design Change Level	Cylinder Assembly Part No.	Bore	Rod	I	Ref. Number RCAT-	\$
							M		
<b>651E</b>	Steering	3G6904	0-up		1.500	0.750	I	8T1387	64.67
	Steering	3G9689	1-up	3G9688	7.250	2.750	I	2435820	205.54
	Load	3G8757	3-up	3G8756	8.250	3.500	I	2456830	205.32
	Steering	3G5516	0-up		7.250	3.250	I	2450613	200.75
	Steering	3G9689	1-up	3G9688	7.250	2.750	I	2435820	205.54
	Steering	4T8563	0	3G5515	7.250	3.250	I	2450613	200.75
<b>651SC</b>	Steering	4T8563	1-up	3G5515	7.250	3.250	I	2450614	249.69
	Steering Follow-Up	1U3895	0-up		1.500	0.750	I	8T4771	81.39
	Steering Follow-Up	4T9364	0-up		1.500	0.750	I	8T4771	81.39
	Apron	3G8621	0-4	3J7521	9.250	3.250	I	2450602	205.94
	Apron	3G8621	5-up	3J7521	9.250	3.250	I	2450603	319.24
	Apron	5J8117	2-6	3J7521	9.250	3.250	I	2450602	205.94
	Apron	5J8117	7-up	3J7521	9.250	3.250	I	2450603	319.24
	Bowl	7J4397	0-3	7J4342	9.250	3.250	I	2450607	161.26
	Bowl	7J4397	4-up	7J4342	9.250	3.250	I	2450609	240.57
	Bowl LH	4T5735	0-2	3G9219	9.250	3.250	I	2450607	161.26
Bowl LH	4T5735	3-up	3G9219	9.250	3.250	I	2450609	240.57	
Bowl RH	4T5736	0-2	3G9219	9.250	3.250	I	2450607	161.26	
Bowl RH	4T5736	3-up	3G9219	9.250	3.250	I	2450609	240.57	
Bowl RH	7J4397	0-3	7J4341	9.250	3.250	I	2450607	161.26	
Bowl RH	7J4397	4-up	7J4341	9.250	3.250	I	2450609	240.57	
Ejector	3G8617	0-4	6J9888	10.250	7.250	I	2481193	617.58	
<b>657</b>	Ejector	3G8617	6-up	6J9888	10.250	7.250	I	1891796	692.49
	Ejector	6J9889	2-9	6J9888	10.250	7.250	I	2481193	617.58
	Ejector	6J9889	10-up	6J9888	10.250	7.250	I	1891796	692.49
	Load	5J8623	5-up	5J8620	8.250	3.500	I	2460638	176.79
	Load	7J4623	0-3	7J4622	8.250	3.500	I	2460638	176.79
	Load	7J4623	4-up	7J4622	8.250	3.500	I	2456827	393.16
	N/A	3G8827	3-up	3G8826	7.750	4.500	I	2456819	971.62
	Steering	3G6904	0-up		1.500	0.750	I	8T1387	64.67
	Steering	3G9689	1-up	3G9688	7.250	2.750	I	2435820	205.54
	Steering	4T8563	0	3G5515	7.250	3.250	I	2450613	200.75
<b>657</b>	Steering	4T8563	1-up	3G5515	7.250	3.250	I	2450614	249.69
	Apron	5J8117	2-6	3J7521	9.250	3.250	I	2450602	205.94
	Apron	5J8117	7-up	3J7521	9.250	3.250	I	2450603	319.24
	Bail	7J2377	0-up	4J4848	3.500	2.000	I	2408515	122.59
	Bail	8J6064	0-up	8J6062	3.500	2.000	I	2408515	122.59
	Bowl	7J4397	0-3	7J4342	9.250	3.250	I	2450607	161.26
	Bowl	7J4397	4-up	7J4342	9.250	3.250	I	2450609	240.57
	Bowl RH	7J4397	0-3	7J4341	9.250	3.250	I	2450607	161.26
	Bowl RH	7J4397	4-up	7J4341	9.250	3.250	I	2450609	240.57
	Ejector	3J4483	8-9	3J4449	7.750	4.500	I	2456817	912.56
Ejector	3J4483	10-up	3J4449	7.750	4.500	I	2456818	736.57	
Ejector	4T4279	0-up	3J4449	7.750	4.500	I	2456818	736.57	
Load	5J8623	5-up	5J8620	8.250	3.500	I	2460638	176.79	

All manufacturer's names, part numbers and descriptions are used for reference purposes only. We do not imply that any part shown is the product of these manufacturers.

Tel.: (418) 688-3202  
Fax: (418) 688-4272

**KITS 181**

[www.sealsonline.com](http://www.sealsonline.com)

INDUSTRIAL  
SEAL KITS

MOBILE  
SEAL KITS



CATERPILLAR

## CATERPILLAR

## SCRAPER

Model	Application	Cylinder Group	Engineering Design Change Level	Cylinder Assembly Part No.	Bore	Rod	I	Ref. Number RCAT-	\$	
							M			
<b>657B</b>	Steering	3G6904	0-up		1.500	0.750	I	8T1387	64.67	
	Steering	3G9689	1-up	3G9688	7.250	2.750	I	2435820	205.54	
	Apron	5J8117	2-6	3J7521	9.250	3.250	I	2450602	205.94	
	Apron	5J8117	7-up	3J7521	9.250	3.250	I	2450603	319.24	
	Bail	7J2377	0-up	4J4848	3.500	2.000	I	2408515	122.59	
	Bail	8J6064	0-up	8J6062	3.500	2.000	I	2408515	122.59	
	Bail	8J8458	0-up	8J8457	3.500	1.500	I	2465914	96.40	
	Bowl	7J4397	0-3	7J4342	9.250	3.250	I	2450607	161.26	
	Bowl	7J4397	4-up	7J4342	9.250	3.250	I	2450609	240.57	
	Bowl RH	7J4397	0-3	7J4341	9.250	3.250	I	2450607	161.26	
Bowl RH	7J4397	4-up	7J4341	9.250	3.250	I	2450609	240.57		
	Ejector	3J4483	8-9	3J4449	7.750	4.500	I	2456817	912.56	
	Ejector	3J4483	10-up	3J4449	7.750	4.500	I	2456818	736.57	
	Ejector	4T4279	0-up	3J4449	7.750	4.500	I	2456818	736.57	
	Load	5J8623	5-up	5J8620	8.250	3.500	I	2460638	176.79	
	Load	7J4623	0-3	7J4622	8.250	3.500	I	2460638	176.79	
	Load	7J4623	4-up	7J4622	8.250	3.500	I	2456827	393.16	
	Steering	3G6904	0-up		1.500	0.750	I	8T1387	64.67	
	Steering	3G9689	1-up	3G9688	7.250	2.750	I	2435820	205.54	
	<b>657E</b>	Bail	4T5638	0-up	4T5639	3.000	1.750	I	2402016	95.33
		Bail	8J8458	0-up	8J8457	3.500	1.500	I	2465914	96.40
Load		3G8757	3-up	3G8756	8.250	3.500	I	2456830	205.32	
Steering		3G5516	0-up		7.250	3.250	I	2450613	200.75	
Steering		4T8563	0	3G5515	7.250	3.250	I	2450613	200.75	
Steering		4T8563	1-up	3G5515	7.250	3.250	I	2450614	249.69	
Steering Follow-Up		1U3895	0-up		1.500	0.750	I	8T4771	81.39	
Steering Follow-Up		4T9364	0-up		1.500	0.750	I	8T4771	81.39	
<b>657SC</b>	Apron	3G8621	0-4	3J7521	9.250	3.250	I	2450602	205.94	
	Apron	3G8621	5-up	3J7521	9.250	3.250	I	2450603	319.24	
	Apron	5J8117	2-6	3J7521	9.250	3.250	I	2450602	205.94	
	Apron	5J8117	7-up	3J7521	9.250	3.250	I	2450603	319.24	
	Bail	7J2377	0-up	4J4848	3.500	2.000	I	2408515	122.59	
	Bail	8J6064	0-up	8J6062	3.500	2.000	I	2408515	122.59	
	Bail	8J8458	0-up	8J8457	3.500	1.500	I	2465914	96.40	
	Bowl	7J4397	0-3	7J4342	9.250	3.250	I	2450607	161.26	
	Bowl	7J4397	4-up	7J4342	9.250	3.250	I	2450609	240.57	
	Bowl LH	4T5735	0-2	3G9219	9.250	3.250	I	2450607	161.26	
	Bowl LH	4T5735	3-up	3G9219	9.250	3.250	I	2450609	240.57	
	Bowl RH	4T5736	0-2	3G9219	9.250	3.250	I	2450607	161.26	

All manufacturer's names, part numbers and descriptions are used for reference purposes only. We do not imply that any part shown is the product of these manufacturers.

INDUSTRIAL SEAL KITS

MOBILE SEAL KITS



CATERPILLAR

## SCRAPER

## CATERPILLAR

Model	Application	Cylinder Group	Engineering Design Change Level	Cylinder Assembly Part No.	Bore	Rod	I	Ref. Number RCAT-	\$	
							M			
	Bowl RH	4T5736	3-up	3G9219	9.250	3.250	I	2450609	240.57	
	Bowl RH	7J4397	0-3	7J4341	9.250	3.250	I	2450607	161.26	
	Bowl RH	7J4397	4-up	7J4341	9.250	3.250	I	2450609	240.57	
	Ejector	3G8827	3-up	3G8826	7.750	4.500	I	2456819	971.62	
	Ejector	3J4483	8-9	3J4449	7.750	4.500	I	2456817	912.56	
	Ejector	3J4483	10-up	3J4449	7.750	4.500	I	2456818	736.57	
	Ejector	4T4279	0-up	3J4449	7.750	4.500	I	2456818	736.57	
	Load	5J8623	5-up	5J8620	8.250	3.500	I	2460638	176.79	
	Load	7J4623	0-3	7J4622	8.250	3.500	I	2460638	176.79	
	Load	7J4623	4-up	7J4622	8.250	3.500	I	2456827	393.16	
	Steering	3G6904	0-up		1.500	0.750	I	8T1387	64.67	
	Steering	3G9689	1-up	3G9688	7.250	2.750	I	2435820	205.54	
	660	Steering	4T8563	0	3G5515	7.250	3.250	I	2450613	200.75
		Steering	4T8563	1-up	3G5515	7.250	3.250	I	2450614	249.69
660B	Bowl LH	7J4356	0-3	7J4344	9.250	3.250	I	2450607	161.26	
	Bowl LH	7J4356	4-up	7J4344	9.250	3.250	I	2450609	240.57	
	Special Application	4J2064	0-up	4J2057	6.000	2.500	I	2422556	201.03	
660B	Bowl LH	7J4356	0-3	7J4344	9.250	3.250	I	2450607	161.26	
	Bowl LH	7J4356	4-up	7J4344	9.250	3.250	I	2450609	240.57	
	Ejector	6J9889	2-9	6J9888	10.250	7.250	I	2481193	617.58	
	Ejector	6J9889	10-up	6J9888	10.250	7.250	I	1891796	692.49	
	Special Application	4J2064	0-up	4J2057	6.000	2.500	I	2422556	201.03	
660SC	Bowl LH	7J4356	0-3	7J4344	9.250	3.250	I	2450607	161.26	
	Bowl LH	7J4356	4-up	7J4344	9.250	3.250	I	2450609	240.57	
666	Bowl LH	7J4356	0-3	7J4344	9.250	3.250	I	2450607	161.26	
	Bowl LH	7J4356	4-up	7J4344	9.250	3.250	I	2450609	240.57	
	Ejector	6J9889	2-9	6J9888	10.250	7.250	I	2481193	617.58	
	Ejector	6J9889	10-up	6J9888	10.250	7.250	I	1891796	692.49	
	Special Application	4J2064	0-up	4J2057	6.000	2.500	I	2422556	201.03	
666B	Bowl LH	7J4356	0-3	7J4344	9.250	3.250	I	2450607	161.26	
	Bowl LH	7J4356	4-up	7J4344	9.250	3.250	I	2450609	240.57	
	Special Application	4J2064	0-up	4J2057	6.000	2.500	I	2422556	201.03	
666SC	Bowl LH	7J4356	0-3	7J4344	9.250	3.250	I	2450607	161.26	
	Bowl LH	7J4356	4-up	7J4344	9.250	3.250	I	2450609	240.57	
J621	Floor	7J5528	0-3	7J5527	5.000	2.500	I	2422553	125.55	
	Floor	7J5528	4-up	7J5527	5.000	2.500	I	1864389	125.54	

INDUSTRIAL  
SEAL KITS

MOBILE  
SEAL KITS



CATERPILLAR

All manufacturer's names, part numbers and descriptions are used for reference purposes only. We do not imply that any part shown is the product of these manufacturers.

Tel.: (514) 334-2220  
Fax: (514) 333-8329

**KITS 183**

[www.sealsonline.com](http://www.sealsonline.com)

## CATERPILLAR

## SOIL COMPACTOR

Model	Application	Cylinder Group	Engineering Design Change Level	Cylinder Assembly Part No.	Bore	Rod	I	Ref. Number RCAT-	\$
							M		
<b>815</b>	Lift	8J6809	0-1	8J6808	4.000	2.000	I	2378277	138.07
	Lift	8J8756	0-up	8J6808	4.000	2.000	I	2378277	138.07
	Steering	7J6054	0-3	7J6053	4.000	2.000	I	2378277	138.07
	Steering	7J9356	0-6	7J9354	4.000	2.000	I	2378277	138.07
<b>815B</b>	Lift	3G0881	0-6	3G0882	4.000	2.000	I	2406899	51.38
	Lift	3G0881	7-up	3G0882	4.000	2.000	I	2339205	57.79
	Steering	4T1574	0-2	4T1580	4.000	2.000	I	2406899	51.38
	Steering	4T1574	3-up	4T1580	4.000	2.000	I	2339205	57.79
	Steering	6E5024	0-up	6E5025	4.000	2.000	I	2409538	71.05
	Tilt	1U1988	6-up	1U1989	4.000	2.000	I	2409941	134.45
<b>815F</b>	Lift	3G0881	0-6	3G0882	4.000	2.000	I	2406899	51.38
	Lift	3G0881	7-up	3G0882	4.000	2.000	I	2339205	57.79
	Steering	4T1574	0-2	4T1580	4.000	2.000	I	2406899	51.38
	Steering	4T1574	3-up	4T1580	4.000	2.000	I	2339205	57.79
	Steering	6E5024	0-up	6E5025	4.000	2.000	I	2409538	71.05
	Tilt	1U2012	0-4	1U1989	4.000	2.000	I	2410903	91.16
	Tilt	1U2012	5-up	1U1989	4.000	2.000	I	2418916	173.30
<b>825B</b>	Lift	4J9233	0-up	4J9655	4.500	2.000	I	2386882	98.97
	Steering	6J7590	0-up	6J7868	5.000	2.250	I	2410895	164.05
	Steering	7J9718	0-up	7J9717	5.000	2.250	I	2410895	164.05
	Steering	7K9401	0-up		5.000	2.250	I	2410895	164.05
<b>825C</b>	Lift	9J7934	0-up		5.000	2.000	I	2386718	89.61
	Steering	9J7086	3-7	9J7088	5.000	2.250	I	2410895	164.05
	Steering	9J7086	8-up	9J7088	5.000	2.250	I	2417578	161.68
	Steering	9J7087	3-7	9J7088	5.000	2.250	I	2410895	164.05
	Steering	9J7087	8-up	9J7088	5.000	2.250	I	2417578	161.68
	Tilt	9J7951	0-up		5.000	2.000	I	2386718	89.61
<b>825G</b>	Lift	1199226	0-up	1199220	3.750	2.250	I	2350969	160.83
	Lift	1447349	0-up	1447350	3.750	2.250	I	2350969	160.83
	Lift	1493236	0-up	1493237	3.750	2.250	I	2350969	160.83
	Steering	1175151	0-up	1174566	4.500	2.500	I	2435806	189.12
	Tilt	1198863	2-up	1198865	3.750	2.000	I	2409518	105.70
<b>835</b>	Lift	4J9233	0-up	4J9655	4.500	2.000	I	2386882	98.97
	Steering	7J9984	0-up	7J9982	5.000	2.250	I	2410895	164.05

All manufacturer's names, part numbers and descriptions are used for reference purposes only. We do not imply that any part shown is the product of these manufacturers.

INDUSTRIAL SEAL KITS

MOBILE SEAL KITS



CATERPILLAR

## TELEHANDLER

## CATERPILLAR

Model	Application	Cylinder Group	Engineering Design Change Level	Cylinder Assembly Part No.	Bore	Rod	I	Ref. Number RCAT-	\$
							M		
TH62	Multi-Purpose Bucket	9T4006	0-up		3.000	1.500	I	2350354	104.24
TH63	Multi-Purpose Bucket	9T4006	0-up		3.000	1.500	I	2350354	104.24
TH82	Multi-Purpose Bucket	9T4006	0-up		3.000	1.500	I	2350354	104.24
TH83	Multi-Purpose Bucket	9T4006	0-up		3.000	1.500	I	2350354	104.24

## TRACK LOADER



931	Bucket	3G7365	0-up		3.500	1.500	I	2465914	96.40
	Bucket	8J5391	0-up	8J5390	3.500	1.500	I	2465914	96.40
	Ripper	7J9920	0-7		4.000	2.000	I	2406899	51.38
	Ripper	7J9920	8-up	7J9765	4.000	2.000	I	2339205	57.79
931B	Backhoe Boom/Bucket	3G5767	0-5	3G5768	4.500	2.250	I	2410897	108.72
	Backhoe Boom/Bucket	3G5767	6-up	3G5768	4.500	2.250	I	2417584	151.74
	Backhoe Boom/Bucket	3G5905	0-4	3G5904	3.500	2.250	I	2410903	91.16
	Backhoe Boom/Bucket	3G5905	5-up	3G5904	3.500	2.250	I	2418916	173.30
	Backhoe Stick/Blade Shift	3G5771	0-3	3G5772	4.000	2.000	I	2406899	51.38
	Backhoe Stick/Blade Shift	3G5771	4-up	3G5772	4.000	2.000	I	2339205	57.79
	Bucket	3G7365	0-up		3.500	1.500	I	2465914	96.40
	Lift	6E0214	1-3	6E0213	4.000	2.000	I	2339205	57.79
	Lift	7J5893	0-8	8J4424	4.000	2.000	I	2406899	51.38
	Lift	7J5893	9-up	8J4424	4.000	2.000	I	2339205	57.79
	Lift	7J5894	0-8	7J5891	4.000	2.000	I	2406899	51.38
	Lift	7J5894	9-up	7J5891	4.000	2.000	I	2339205	57.79
	Lift LH	6E0214	0-up	6E0213	4.000	2.000	I	2339205	57.79
Lift LH	9T6705	0-up	9T6707	4.000	2.000	I	2339205	57.79	
Lift RH	9T6704	0-up	9T6706	4.000	2.000	I	2339205	57.79	
Ripper	7J9920	0-7		4.000	2.000	I	2406899	51.38	
Ripper	7J9920	8-up	7J9765	4.000	2.000	I	2339205	57.79	
Stabilizer	3G6792	0-up		3.500	1.500	I	2465914	96.40	
Stabilizer LH	1U2656	0-2	1U2654	4.000	2.000	I	2406899	51.38	
Stabilizer LH	1U2656	3-up	1U2654	4.000	2.000	I	2339205	57.79	
Stabilizer RH	1U2655	0-2	1U2653	4.000	2.000	I	2406899	51.38	
Stabilizer RH	1U2655	3-up	1U2653	4.000	2.000	I	2339205	57.79	
Tilt	4T0963	0-up		3.250	1.750	I	2401671	64.52	

All manufacturer's names, part numbers and descriptions are used for reference purposes only. We do not imply that any part shown is the product of these manufacturers.

Tel.: (905) 362-0889  
Fax: (888) 238-1664

**KITS 185**

[www.sealsonline.com](http://www.sealsonline.com)

INDUSTRIAL  
SEAL KITS

MOBILE  
SEAL KITS



CATERPILLAR

## CATERPILLAR

## TRACK LOADER

Model	Application	Cylinder Group	Engineering Design Change Level	Cylinder Assembly Part No.	Bore	Rod	I	Ref. Number RCAT-	\$
							M		
931C	Backhoe Boom/Bucket	3G5767	0-5	3G5768	4.500	2.250	I	2410897	108.72
	Backhoe Boom/Bucket	3G5767	6-up	3G5768	4.500	2.250	I	2417584	151.74
	Backhoe Boom/Bucket	3G5905	0-4	3G5904	3.500	2.250	I	2410903	91.16
	Backhoe Boom/Bucket	3G5905	5-up	3G5904	3.500	2.250	I	2418916	173.30
	Backhoe Stick/Blade Shift	3G5771	0-3	3G5772	4.000	2.000	I	2406899	51.38
	Backhoe Stick/Blade Shift	3G5771	4-up	3G5772	4.000	2.000	I	2339205	57.79
	Bucket	3G7365	0-up		3.500	1.500	I	2465914	96.40
	Lift	6E0214	1-3	6E0213	4.000	2.000	I	2339205	57.79
	Lift	7J5893	0-8	8J4424	4.000	2.000	I	2406899	51.38
	Lift	7J5893	9-up	8J4424	4.000	2.000	I	2339205	57.79
	Lift	7J5894	0-8	7J5891	4.000	2.000	I	2406899	51.38
	Lift	7J5894	9-up	7J5891	4.000	2.000	I	2339205	57.79
	Lift LH	6E0214	0-up	6E0213	4.000	2.000	I	2339205	57.79
	Lift LH	9T6705	0-up	9T6707	4.000	2.000	I	2339205	57.79
Lift RH	9T6704	0-up	9T6706	4.000	2.000	I	2339205	57.79	
Ripper	7J9920	0-7		4.000	2.000	I	2406899	51.38	
Ripper	7J9920	8-up	7J9765	4.000	2.000	I	2339205	57.79	
Stabilizer	3G6792	0-up		3.500	1.500	I	2465914	96.40	
Stabilizer LH	1U2656	0-2	1U2654	4.000	2.000	I	2406899	51.38	
Stabilizer LH	1U2656	3-up	1U2654	4.000	2.000	I	2339205	57.79	
Stabilizer RH	1U2655	0-2	1U2653	4.000	2.000	I	2406899	51.38	
Stabilizer RH	1U2655	3-up	1U2653	4.000	2.000	I	2339205	57.79	
Tilt	4T0963	0-up		3.250	1.750	I	2401671	64.52	
933	Bucket	3G7365	0-up		3.500	1.500	I	2465914	96.40
	Lift	1052808	2-5	1052887	4.000	2.000	I	2339205	57.79
	Lift	1052886	2-5	1052885	4.000	2.000	I	2339205	57.79
	Lift LH	1052808	0-up	1052887	4.000	2.000	I	2339205	57.79
	Lift RH	1052886	0-up	1052885	4.000	2.000	I	2339205	57.79
	Ripper	7J9920	0-8		4.000	2.000	I	2406899	51.38
	Ripper	7J9920	8-up	7J9765	4.000	2.000	I	2339205	57.79
	Tilt	1012493	0-up	1012494	3.500	1.750	I	2401881	56.93
	Tilt	1368600	0-up	1368601	3.500	1.750	I	2401881	56.93
	933C	Bucket	1494362	0-up	1496067	4.000	2.000	I	2339205
Lift RH		1412421	0-up	1419165	4.000	2.000	I	2339205	57.79
Ripper		7J9920	0-8		4.000	2.000	I	2406899	51.38
Ripper		7J9920	8-up	7J9765	4.000	2.000	I	2339205	57.79
Tilt		1214264	0-up	1418961	3.500	1.750	I	2401881	56.93
935B	Backhoe Boom/Bucket	3G5767	0-5	3G5768	4.500	2.250	I	2410897	108.72
	Backhoe Boom/Bucket	3G5767	6-up	3G5768	4.500	2.250	I	2417584	151.74
	Backhoe Boom/Bucket	3G5905	0-4	3G5904	3.500	2.250	I	2410903	91.16
	Backhoe Boom/Bucket	3G5905	5-up	3G5904	3.500	2.250	I	2418916	173.30
	Backhoe Stick/Blade Shift	3G5771	0-3	3G5772	4.000	2.000	I	2406899	51.38
	Backhoe Stick/Blade Shift	3G5771	4-up	3G5772	4.000	2.000	I	2339205	57.79

All manufacturer's names, part numbers and descriptions are used for reference purposes only. We do not imply that any part shown is the product of these manufacturers.

INDUSTRIAL SEAL KITS

MOBILE SEAL KITS



CATERPILLAR

## TRACK LOADER

## CATERPILLAR

Model	Application	Cylinder Group	Engineering Design Change Level	Cylinder Assembly Part No.	Bore	Rod	I	Ref. Number RCAT-	\$	
							M			
	Bucket	3G7365	0-up		3.500	1.500	I	2465914	96.40	
	Lift	6E0214	1-3	6E0213	4.000	2.000	I	2339205	57.79	
	Lift	7J5893	0-8	8J4424	4.000	2.000	I	2406899	51.38	
	Lift	7J5893	9-up	8J4424	4.000	2.000	I	2339205	57.79	
	Lift	7J5894	0-8	7J5891	4.000	2.000	I	2406899	51.38	
	Lift	7J5894	9-up	7J5891	4.000	2.000	I	2339205	57.79	
	Lift LH	6E0214	0-up	6E0213	4.000	2.000	I	2339205	57.79	
	Lift LH	9T6705	0-up	9T6707	4.000	2.000	I	2339205	57.79	
	Lift RH	9T6704	0-up	9T6706	4.000	2.000	I	2339205	57.79	
	Ripper	7J9765	5-8	7J9765	4.000	2.000	I	2406899	51.38	
	Ripper	7J9920	0-5		4.000	2.000	I	2406899	51.38	
	Ripper	7J9920	8-up	7J9765	4.000	2.000	I	2339205	57.79	
	<b>935C</b>	Stabilizer	3G6792	0-up		3.500	1.500	I	2465914	96.40
		Stabilizer LH	1U2656	0-2	1U2654	4.000	2.000	I	2406899	51.38
Stabilizer LH		1U2656	3-up	1U2654	4.000	2.000	I	2339205	57.79	
Stabilizer RH		1U2655	0-2	1U2653	4.000	2.000	I	2406899	51.38	
Stabilizer RH		1U2655	3-up	1U2653	4.000	2.000	I	2339205	57.79	
Tilt		4T0963	0-up		3.250	1.750	I	2401671	64.52	
Backhoe Boom/Bucket		3G5767	0-5	3G5768	4.500	2.250	I	2410897	108.72	
Backhoe Boom/Bucket		3G5767	6-up	3G5768	4.500	2.250	I	2417584	151.74	
Backhoe Boom/Bucket		3G5905	0-4	3G5904	3.500	2.250	I	2410903	91.16	
Backhoe Boom/Bucket		3G5905	5-up	3G5904	3.500	2.250	I	2418916	173.30	
Backhoe Stick/Blade Shift	3G5771	0-3	3G5772	4.000	2.000	I	2406899	51.38		
Backhoe Stick/Blade Shift	3G5771	4-up	3G5772	4.000	2.000	I	2339205	57.79		
	Bucket	3G7365	0-up		3.500	1.500	I	2465914	96.40	
	Lift	6E0214	1-3	6E0213	4.000	2.000	I	2339205	57.79	
	Lift	7J5893	0-8	8J4424	4.000	2.000	I	2406899	51.38	
	Lift	7J5893	9-up	8J4424	4.000	2.000	I	2339205	57.79	
	Lift	7J5894	0-8	7J5891	4.000	2.000	I	2406899	51.38	
	Lift	7J5894	9-up	7J5891	4.000	2.000	I	2339205	57.79	
	Lift LH	6E0214	0-up	6E0213	4.000	2.000	I	2339205	57.79	
	Lift LH	9T6705	0-up	9T6707	4.000	2.000	I	2339205	57.79	
	Lift RH	9T6704	0-up	9T6706	4.000	2.000	I	2339205	57.79	
	Ripper	7J9920	0-7		4.000	2.000	I	2406899	51.38	
	Ripper	7J9920	8-up	7J9765	4.000	2.000	I	2339205	57.79	
	Stabilizer	3G6792	0-up		3.500	1.500	I	2465914	96.40	
	<b>939</b>	Stabilizer LH	1U2656	0-2	1U2654	4.000	2.000	I	2406899	51.38
		Stabilizer LH	1U2656	3-up	1U2654	4.000	2.000	I	2339205	57.79
Stabilizer RH		1U2655	0-2	1U2653	4.000	2.000	I	2406899	51.38	
Stabilizer RH		1U2655	3-up	1U2653	4.000	2.000	I	2339205	57.79	
Tilt		4T0963	0-up		3.250	1.750	I	2401671	64.52	
Bucket		3G7365	0-up		3.500	1.500	I	2465914	96.40	
Lift		1052808	2-5	1052887	4.000	2.000	I	2339205	57.79	
Lift		1052886	2-5	1052885	4.000	2.000	I	2339205	57.79	
Lift LH		1052808	0-up	1052887	4.000	2.000	I	2339205	57.79	
Lift RH		1052886	0-up	1052885	4.000	2.000	I	2339205	57.79	
Ripper	7J9920	0-7		4.000	2.000	I	2406899	51.38		

All manufacturer's names, part numbers and descriptions are used for reference purposes only. We do not imply that any part shown is the product of these manufacturers.

**Tel.: (204) 783-9617**  
**Fax: (204) 783-6091**

**KITS 187**

**www.sealsonline.com**

**INDUSTRIAL SEAL KITS**

**MOBILE SEAL KITS**



**CATERPILLAR**



## CATERPILLAR

## TRACK LOADER

Model	Application	Cylinder Group	Engineering Design Change Level	Cylinder Assembly Part No.	Bore	Rod	I	Ref. Number RCAT-	\$
							M		
	Ripper	7J9920	8-up	7J9765	4.000	2.000	I	2339205	57.79
	Tilt	1012518	0-up	1012519	4.000	2.000	I	2339205	57.79
	Tilt	1363129	0-up	1363167	4.000	2.000	I	2339205	57.79
<b>939C</b>	Bucket	1494362	0-up	1496067	4.000	2.000	I	2339205	57.79
	Lift	1412422	0-up	1418995	4.500	2.500	I	2310898	180.71
	Ripper	7J9920	0-7		4.000	2.000	I	2406899	51.38
	Ripper	7J9920	8-up	7J9765	4.000	2.000	I	2339205	57.79
	Tilt	1214264	0-up	1418962	4.000	2.000	I	2401881	56.93
<b>941</b>	Bucket	7J6789	0-up	7J6676	4.000	2.000	I	2406899	51.38
	Bucket	8J5663	0-up	8J5664	4.000	2.000	I	2406899	51.38
	Bucket	8J5670	0-2	8J5671	4.000	2.000	I	2378277	138.07
	Bucket LH	6J2806	0-up	6J3640	4.000	2.000	I	2406899	51.38
	Bucket RH	6J2805	0-up	6J3639	4.000	2.000	I	2406899	51.38
	Lift	6J3081	0-2	6J3355	4.000	2.250	I	2410901	92.65
	Lift	6J3082	0-up	6J3356	4.000	2.250	I	2410901	92.65
	Lift LH	7J9862	0-up	7J9858	4.000	2.250	I	2410901	92.65
	Lift LH	9J5726	0-up	9J5880	4.000	2.250	I	2410901	92.65
	Lift RH	6J3081	2-up	6J3355	4.000	2.250	I	2410901	92.65
	Lift RH	7J9861	0-up	7J9857	4.000	2.250	I	2410901	92.65
	Lift RH	9J5725	0-up	9J6528	4.000	2.250	I	2410901	92.65
		Ripper	6J3308	0-up		5.500	2.500	I	2430381
Tilt		3G8085	0-up	3G8084	4.000	2.375	I	2418925	48.09
Tilt LH		5J8028	2-up	5J8026	4.000	2.375	I	2418925	48.09
Tilt LH		7J9750	0-up	7J9752	4.000	2.375	I	2418925	48.09
Tilt RH		7J9749	0-up	7J9751	4.000	2.375	I	2418925	48.09
Tilt RH		8J5937	0-up	7J9752	4.000	2.375	I	2418925	48.09
<b>941B</b>		Bucket	7J6789	0-up	7J6676	4.000	2.000	I	2406899
	Bucket	8J5663	0-up	8J5664	4.000	2.000	I	2406899	51.38
	Bucket	8J5670	0-2	8J5671	4.000	2.000	I	2378277	138.07
	Bucket LH	6J2806	0-up	6J3640	4.000	2.000	I	2406899	51.38
	Bucket RH	6J2805	0-up	6J3639	4.000	2.000	I	2406899	51.38
	Lift	6J3081	0-2	6J3355	4.000	2.250	I	2410901	92.65
	Lift	6J3082	0-up	6J3356	4.000	2.250	I	2410901	92.65
	Lift LH	7J9862	0-up	7J9858	4.000	2.250	I	2410901	92.65
	Lift LH	9J5726	0-up	9J5880	4.000	2.250	I	2410901	92.65
	Lift RH	6J3081	2-up	6J3355	4.000	2.250	I	2410901	92.65
	Lift RH	7J9861	0-up	7J9857	4.000	2.250	I	2410901	92.65
	Lift RH	9J5725	0-up	9J6528	4.000	2.250	I	2410901	92.65
	Ripper	6J3308	0-up		5.500	2.500	I	2430381	94.36
	Tilt	3G8085	0-up	3G8084	4.000	2.375	I	2418925	48.09
	Tilt LH	5J8028	2-up	5J8026	4.000	2.375	I	2418925	48.09
	Tilt LH	7J9750	0-up	7J9752	4.000	2.375	I	2418925	48.09
	Tilt RH	7J9749	0-up	7J9751	4.000	2.375	I	2418925	48.09
	Tilt RH	8J5937	0-up	7J9752	4.000	2.375	I	2418925	48.09

All manufacturer's names, part numbers and descriptions are used for reference purposes only. We do not imply that any part shown is the product of these manufacturers.

INDUSTRIAL SEAL KITS

MOBILE SEAL KITS



CATERPILLAR

## TRACK LOADER

## CATERPILLAR

Model	Application	Cylinder Group	Engineering Design Change Level	Cylinder Assembly Part No.	Bore	Rod	I	Ref. Number RCAT-	\$
							M		
943	Bucket	4T9387	0	4T9386	4.000	2.000	I	2406899	51.38
	Bucket	4T9387	1-up	4T9386	4.000	2.000	I	2339205	57.79
	Bucket	9J4892	0-up		4.000	2.000	I	2406899	51.38
	Lift	4T1963	0-1	4T1964	4.000	2.250	I	2410899	106.67
	Lift	4T1963	2-up	4T1964	4.000	2.250	I	2419297	171.77
	Lift	9J0532	6-10	9J0533	4.000	2.250	I	2410899	106.67
	Lift	9J0532	11-up	9J0533	4.000	2.250	I	2419297	171.77
	Ripper	3G1296	0-5	3G1292	4.000	2.000	I	2406899	51.38
	Ripper	3G1296	6-up	3G1292	4.000	2.000	I	2339205	57.79
	Tilt	1U4802	0-1	1U4801	4.750	2.500	I	2285271	156.82
	Tilt	1U4802	2-up	1U4801	4.750	2.500	I	2435800	154.61
	Tilt	3G4653	1-4	3G4652	4.750	2.500	I	2285271	156.82
	Tilt	3G4653	5-up	3G4652	4.750	2.500	I	2435800	154.61
943B	Bucket	4T9387	0	4T9386	4.000	2.000	I	2406899	51.38
	Bucket	4T9387	1-up	4T9386	4.000	2.000	I	2339205	57.79
	Lift	9T3623	0-up	9T3622	4.000	2.250	I	2342591	62.17
	Ripper	3G1296	0-5	3G1292	4.000	2.000	I	2406899	51.38
	Ripper	3G1296	6-up	3G1292	4.000	2.000	I	2339205	57.79
	Tilt	6E0257	0-up	6E0258	4.750	2.500	I	2285272	184.11
	Tilt	9T8623	0-up	1U4801	4.750	2.500	I	2435800	154.61
951B	Bucket	7J6789	0-up	7J6676	4.000	2.000	I	2406899	51.38
	Bucket	8J5663	0-up	8J5664	4.000	2.000	I	2406899	51.38
	Bucket	8J5670	0-2	8J5671	4.000	2.000	I	2378277	138.07
	Bucket LH	6J2806	0-up	6J3640	4.000	2.000	I	2406899	51.38
	Bucket RH	6J2805	0-up	6J3639	4.000	2.000	I	2406899	51.38
	Lift LH	6J4014	1-up	6J4012	4.250	2.250	I	2410898	115.59
	Lift LH	7J9822	0-up	7J9820	4.250	2.250	I	2410898	115.59
	Lift LH	9J5728	0-up	9J6527	4.250	2.250	I	2410898	115.59
	Lift RH	6J4013	1-up	6J4011	4.250	2.250	I	2410898	115.59
	Lift RH	7J9821	0-up	7J9819	4.250	2.250	I	2410898	115.59
	Lift RH	9J5727	0-up	9J6526	4.250	2.250	I	2410898	115.59
	Ripper	6J3308	0-up		5.500	2.500	I	2430381	94.36
	Tilt LH	3G8083	0-up	3G8082	4.250	2.500	I	2535204	54.18
	Tilt LH	5J9815	4-up	5J9813	4.250	2.500	I	2535204	54.18
		Tilt LH	5J9816	4-up	5J9814	4.250	2.500	I	2535204
Tilt LH		7J9834	0-up	7J9832	4.250	2.500	I	2535204	54.18
Tilt RH		7J9833	0-up	7J9831	4.250	2.500	I	2535204	54.18
Tilt RH		8J5939	0-up	7J9832	4.250	2.500	I	2535204	54.18
951C	Bucket	7J6789	0-up	7J6676	4.000	2.000	I	2406899	51.38
	Bucket	8J5663	0-up	8J5664	4.000	2.000	I	2406899	51.38
	Bucket	8J5670	0-2	8J5671	4.000	2.000	I	2378277	138.07
	Bucket LH	6J2806	0-up	6J3640	4.000	2.000	I	2406899	51.38
	Bucket RH	6J2805	0-up	6J3639	4.000	2.000	I	2406899	51.38
	Lift LH	6J4014	1-up	6J4012	4.250	2.250	I	2410898	115.59

All manufacturer's names, part numbers and descriptions are used for reference purposes only. We do not imply that any part shown is the product of these manufacturers.

Tel.: (780) 414-1871  
Fax: (780) 487-5419

**KITS 189**

[www.sealsonline.com](http://www.sealsonline.com)

INDUSTRIAL  
SEAL KITS

MOBILE  
SEAL KITS



CATERPILLAR

## CATERPILLAR

## TRACK LOADER

Model	Application	Cylinder Group	Engineering Design Change Level	Cylinder Assembly Part No.	Bore	Rod	I	Ref. Number RCAT-	\$
							M		
	Lift LH	7J9822	0-up	7J9820	4.250	2.250	I	2410898	115.59
	Lift LH	9J5728	0-up	9J6527	4.250	2.250	I	2410898	115.59
	Lift RH	6J4013	1-up	6J4011	4.250	2.250	I	2410898	115.59
	Lift RH	7J9821	0-up	7J9819	4.250	2.250	I	2410898	115.59
	Lift RH	9J5727	0-up	9J6526	4.250	2.250	I	2410898	115.59
	Ripper	6J3308	0-up		5.500	2.500	I	2430381	94.36
	Tilt LH	3G8083	0-up	3G8082	4.250	2.500	I	2535204	54.18
	Tilt LH	5J9815	4-up	5J9813	4.250	2.500	I	2535204	54.18
	Tilt LH	5J9816	4-up	5J9814	4.250	2.500	I	2535204	54.18
	Tilt LH	7J9834	0-up	7J9832	4.250	2.500	I	2535204	54.18
	Tilt RH	7J9833	0-up	7J9831	4.250	2.500	I	2535204	54.18
	Tilt RH	8J5939	0-up	7J9832	4.250	2.500	I	2535204	54.18
<b>953</b>	Bucket	4T9387	0	4T9386	4.000	2.000	I	2406899	51.38
	Bucket	4T9387	1-up	4T9386	4.000	2.000	I	2339205	57.79
	Bucket	9J4892	0-up		4.000	2.000	I	2406899	51.38
	Lift	3G0717	4-up	4T0262	4.750	2.500	I	2285271	156.82
	Lift	4T0263	0-1	4T0262	4.750	2.500	I	2285271	156.82
	Lift	4T0263	4-up	4T0262	4.750	2.500	I	2285272	184.11
	Lift	4T2098	0-2	4T2099	4.750	2.500	I	2285271	156.82
	Lift	4T2098	3-up	4T2099	4.750	2.500	I	2285272	184.11
	Lift	9T3625	0-4	9T3624	4.750	2.500	I	2430398	156.38
	Lift	9T3625	5-up	9T3624	4.750	2.500	I	2341948	188.00
	Ripper	3G1296	0-5	3G1292	4.000	2.000	I	2406899	51.38
	Ripper	3G1296	6-up	3G1292	4.000	2.000	I	2339205	57.79
	Side Dump	9T0107	0-1	9T0204	4.000	2.000	I	2406899	51.38
	Side Dump	9T0107	2-up	9T0204	4.000	2.000	I	2339205	57.79
	Tilt	1U0418	0-6	1U0539	5.500	3.000	I	2440979	229.40
	Tilt	1U0418	7-up	1U0539	5.500	3.000	I	2440978	229.96
<b>953B</b>	Bucket	4T9387	0	4T9386	4.000	2.000	I	2406899	51.38
	Bucket	4T9387	1-up	4T9386	4.000	2.000	I	2339205	57.79
	Lift	9T3625	0-4	9T3624	4.750	2.500	I	2430398	156.38
	Lift	9T3625	5-up	9T3624	4.750	2.500	I	2341948	188.00
	Ripper	3G1296	0-5	3G1292	4.000	2.000	I	2406899	51.387
	Ripper	3G1296	6-up	3G1292	4.000	2.000	I	2339205	57.79
<b>953C</b>	Tilt	1U0418	0-6	1U0539	5.500	3.000	I	2440979	229.40
	Tilt	1U0418	7-up	1U0539	5.500	3.000	I	2440978	229.96
	Bucket	4T9387	0	4T9386	4.000	2.000	I	2406899	51.38
	Bucket	4T9387	1-up	4T9386	4.000	2.000	I	2339205	57.79
	Lift	9T3625	0-4	9T3624	4.750	2.500	I	2430398	156.38
	Lift	9T3625	5-up	9T3624	4.750	2.500	I	2341948	188.00
	Ripper	3G1296	0-5	3G1292	4.000	2.000	I	2406899	51.38
	Ripper	3G1296	6-up	3G1292	4.000	2.000	I	2339205	57.79
	Ripper	3G1305	6-up	3G1292	4.000	2.000	I	2339205	57.79
	Tilt	1U0418	0-6	1U0539	5.500	3.000	I	2440979	229.40
Tilt	1U0418	7-up	1U0539	5.500	3.000	I	2440978	229.96	

All manufacturer's names, part numbers and descriptions are used for reference purposes only. We do not imply that any part shown is the product of these manufacturers.

INDUSTRIAL SEAL KITS

MOBILE SEAL KITS



CATERPILLAR

## TRACK LOADER

## CATERPILLAR

Model	Application	Cylinder Group	Engineering Design Change Level	Cylinder Assembly Part No.	Bore	Rod	I	Ref. Number RCAT-	\$
							M		
<b>955C</b>	Bucket	7Y5100	0-up	4I1620	130.00	85.00	M	2465937	361.35
	N/A	8J5676	0-up	8J5678	5.000	2.000	I	2384487	171.73
<b>955E</b>	Bucket	7Y5100	0-up	4I1620	130.00	85.00	M	2465937	361.35
	Log Fork RH	8J5676	0-up	8J5678	5.000	2.000	I	2384487	171.73
<b>955H</b>	Ripper	6J3308	0-up		5.500	2.500	I	2430381	94.36
	Tilt LH	2K3744	0-up	2K3738	5.000	2.000	I	2384487	171.73
	Tilt RH	2K3743	0-up	2K3737	5.000	2.000	I	2384487	171.73
<b>955K</b>	Bucket LH	8J5704	0-2	8J5706	4.500	2.000	I	2386882	98.97
	Bucket LH	8J5704	3-up	8J5706	4.500	2.000	I	2409936	75.44
	Bucket RH	8J5703	0-3	8J5705	4.500	2.000	I	2386882	98.97
	Bucket RH	8J5703	4-up	8J5705	4.500	2.000	I	2409936	75.44
	Clamp	8J8498	0-2	8J8495	4.500	2.000	I	2386882	98.97
	Clamp	8J8498	3-up	8J8495	4.500	2.000	I	2409936	75.44
	Lift	5J6342	0-up	5J6341	5.500	2.500	I	2430381	94.36
	Lift	7J1730	0-up	5J6341	5.500	2.500	I	2430383	109.32
	Lift	7J9640	0-up	5J6341	5.500	2.500	I	2430383	109.32
	Lift LH	9J2399	0-2	9J2402	5.500	2.500	I	2430383	109.32
	Lift LH	9J2399	3-up	9J2402	5.500	2.500	I	2430381	94.36
	Lift RH	9J2401	0-2	9J2403	5.500	2.500	I	2430383	109.32
	Lift RH	9J2401	3-up	9J2403	5.500	2.500	I	2430381	94.36
	Ripper	5J8190	2-5	5J8189	5.500	2.500	I	2430381	94.36
	Ripper	5J8190	6-up	5J8189	5.500	2.500	I	2430381	94.36
Tilt	3G8081	0-1	3G8080	5.000	2.500	I	2430386	198.75	
Tilt	3G8081	2-up	3G8080	5.000	2.500	I	2422542	202.87	
Tilt LH	5J6214	0-up	5J6212	5.000	2.500	I	2430384	193.35	
Tilt LH	7J9638	0-4	7J9636	5.000	2.500	I	2430384	193.35	
Tilt LH	7J9638	5-up	7J9636	5.000	2.500	I	2422542	202.87	
Tilt RH	5J6213	0-up	5J6211	5.000	2.500	I	2430384	193.35	
Tilt RH	7J9637	5	7J9635	5.000	2.500	I	2430386	198.75	
Tilt RH	7J9637	6-up	7J9635	5.000	2.500	I	2422542	202.87	
<b>955L</b>	Bucket LH	8J5704	0-2	8J5706	4.500	2.000	I	2386882	98.97
	Bucket LH	8J5704	3-up	8J5706	4.500	2.000	I	2409936	75.44
	Bucket RH	8J5703	0-3	8J5705	4.500	2.000	I	2386882	98.97
	Bucket RH	8J5703	4-up	8J5705	4.500	2.000	I	2409936	75.44
	Clamp	8J8498	0-2	8J8495	4.500	2.000	I	2386882	98.97
	Clamp	8J8498	3-up	8J8495	4.500	2.000	I	2409936	75.44
	Lift	5J6342	0-up	5J6341	5.500	2.500	I	2430381	94.36
	Lift	7J1730	0-up	5J6341	5.500	2.500	I	2430383	109.32
	Lift	7J9640	0-up	5J6341	5.500	2.500	I	2430383	109.32
	Lift LH	9J2399	0-2	9J2402	5.500	2.500	I	2430383	109.32
	Lift LH	9J2399	3-up	9J2402	5.500	2.500	I	2430381	94.36
	Lift RH	9J2401	0-2	9J2403	5.500	2.500	I	2430383	109.32

All manufacturer's names, part numbers and descriptions are used for reference purposes only. We do not imply that any part shown is the product of these manufacturers.

**Tel.: (403) 279-1871**  
**Fax: (403) 279-1821**

**KITS 191**

**www.sealsonline.com**

INDUSTRIAL  
SEAL KITS

MOBILE  
SEAL KITS



CATERPILLAR

## CATERPILLAR

## TRACK LOADER

Model	Application	Cylinder Group	Engineering Design Change Level	Cylinder Assembly Part No.	Bore	Rod	I	Ref. Number RCAT-	\$	
							M			
	Lift RH	9J2401	3-up	9J2403	5.500	2.500	I	2430381	94.36	
	Ripper	5J8190	2-5	5J8189	5.500	2.500	I	2430381	94.36	
	Ripper	5J8190	6-up	5J8189	5.500	2.500	I	2430381	94.36	
	Tilt	3G8081	0-1	3G8080	5.000	2.500	I	2430386	198.75	
	Tilt	3G8081	2-up	3G8080	5.000	2.500	I	2422542	202.87	
	Tilt LH	5J6214	0-up	5J6212	5.000	2.500	I	2430384	193.35	
	Tilt LH	7J9638	0-4	7J9636	5.000	2.500	I	2430384	193.35	
	Tilt LH	7J9638	5-up	7J9636	5.000	2.500	I	2422542	202.87	
	Tilt RH	5J6213	0-up	5J6211	5.000	2.500	I	2430384	193.35	
	Tilt RH	7J9637	5	7J9635	5.000	2.500	I	2430386	198.75	
	Tilt RH	7J9637	6-up	7J9635	5.000	2.500	I	2422542	202.87	
	<b>963</b>	Clamp	8J8498	0-2	8J8495	4.500	2.000	I	2386882	98.97
		Clamp	8J8498	3-up	8J8495	4.500	2.000	I	2409936	75.44
		Lift	4T0263	0-1	4T0262	4.750	2.500	I	2285271	156.82
		Lift	4T0263	4-up	4T0262	4.750	2.500	I	2285272	184.11
Lift		9J8002	0-6	9J8003	6.290	2.750	I	2440960	155.16	
Lift		9J8002	7-11	9J8003	6.290	2.750	I	2440965	179.49	
Lift		9J8002	12-up	9J8003	6.290	2.750	I	2440966	202.43	
Ripper		9J9881	3-6	9J9882	4.500	2.250	I	2410897	108.72	
Ripper		9J9881	7-up	9J9882	4.500	2.250	I	2417584	151.74	
Ripper RH		1U3497	0-3	1U3498	4.500	2.250	I	2410897	108.72	
Ripper RH		1U3497	4-up	1U3498	4.500	2.250	I	2417584	151.74	
Tilt		3G3874	0-8	3G3867	6.500	3.750	I	2459839	275.90	
<b>963B</b>	Tilt	3G3874	9-up	3G3867	6.500	3.750	I	2459838	261.76	
	Clamp	8J8498	0-2	8J8495	4.500	2.000	I	2386882	98.97	
	Clamp	8J8498	3-up	8J8495	4.500	2.000	I	2409936	75.44	
	Lift	6E6632	0-up	6E6633	5.500	2.750	I	2601518	147.41	
	Ripper	1228420	0-up	1228423	4.500	2.250	I	2417584	151.74	
	Ripper RH	1228421	0-up	1228422	4.500	2.250	I	2417584	151.74	
	Tilt	3G3874	0-8	3G3867	6.500	3.750	I	2459839	275.90	
	Tilt	3G3874	9-up	3G3867	6.500	3.750	I	2459838	261.76	
<b>963C</b>	Clamp	8J8498	0-2	8J8495	4.500	2.000	I	2386882	98.97	
	Clamp	8J8498	3-up	8J8495	4.500	2.000	I	2409936	75.44	
	Lift	6E6632	0-up	6E6633	5.500	2.750	I	2601518	147.41	
	Ripper	1228420	0-up	1228423	4.500	2.250	I	2417584	151.74	
	Ripper RH	1228421	0-up	1228422	4.500	2.250	I	2417584	151.74	
	Tilt	3G3874	0-8	3G3867	6.500	3.750	I	2459839	275.90	
	Tilt	3G3874	9-up	3G3867	6.500	3.750	I	2459838	261.76	
<b>973</b>	Bucket	9J1822	0	9J2050	5.000	2.000	I	2408479	71.65	
	Bucket	9J1822	1-up	9J2050	5.000	2.000	I	2406883	113.34	
	Lift	3G0218	5-7	3G0219	6.500	3.250	I	2450611	223.81	
	Lift	3G0218	8-up	3G0219	6.500	3.250	I	2450606	211.89	

All manufacturer's names, part numbers and descriptions are used for reference purposes only. We do not imply that any part shown is the product of these manufacturers.

INDUSTRIAL SEAL KITS

MOBILE SEAL KITS



CATERPILLAR

## TRACK LOADER

## CATERPILLAR

Model	Application	Cylinder Group	Engineering Design Change Level	Cylinder Assembly Part No.	Bore	Rod	I	Ref. Number RCAT-	\$
							M		
	Lift	4T2098	0-2	4T2099	4.750	2.500	I	2285271	156.82
	Lift	4T2098	3-up	4T2099	4.750	2.500	I	2285272	184.11
	Ripper	3G1194	3-up	3G1193	5.000	2.500	I	2430386	198.75
	Ripper	4T7606	0	4T7504	5.000	2.500	I	2430386	198.75
	Ripper	4T7606	1-up	4T7504	5.000	2.500	I	2422542	202.87
	Tilt	1U3833	0-up		5.500	3.250	I	2062857	330.99
	Tilt	3G5949	8-up	3G5948	5.500	3.250	I	2450612	93.63
<b>973C</b>	Bucket	9J1822	0	9J2050	5.000	2.000	I	2408479	71.65
	Bucket	9J1822	1-up	9J2050	5.000	2.000	I	2406883	113.34
	Ripper	4T7606	0	4T7504	5.000	2.500	I	2430386	198.75
	Ripper	4T7606	1-up	4T7504	5.000	2.500	I	2422542	202.87
	Tilt	3G5949	8-up	3G5948	5.500	3.250	I	2450612	93.63
<b>977K</b>	Bucket	8J5761	0-2	8J5762	5.500	2.500	I	2430381	94.36
	Bucket	8J5761	3-up	8J5762	5.500	2.500	I	2430381	94.36
	Bucket	9J1822	0	9J2050	5.000	2.000	I	2408479	71.65
	Bucket	9J1822	1-up	9J2050	5.000	2.000	I	2406883	113.34
	Lift	7J9375	0-4	7J9641	6.500	2.750	I	2440962	135.98
	Lift	7J9375	5-6	7J9641	6.500	2.750	I	2435816	216.72
	Lift	7J9375	7-up	7J9641	6.500	2.750	I	2435812	121.99
	Lift	7J9376	0-4	7J9642	6.500	2.750	I	2440962	135.98
	Lift	7J9376	5-6	7J9642	6.500	2.750	I	2435816	216.72
	Lift	7J9376	7-up	7J9642	6.500	2.750	I	2435812	121.99
	Lift LH	3G8118	0-up	7J9642	6.500	2.750	I	8T1554	136.01
	Lift LH	7J9376	0-4	7J9642	6.500	2.750	I	2440962	135.98
	Lift LH	7J9376	5-6	7J9642	6.500	2.750	I	2435816	216.72
	Lift LH	7J9376	7-up	7J9642	6.500	2.750	I	2435812	121.99
	Lift RH	3G8119	0-up	7J9641	6.500	2.750	I	8T1554	136.01
	Lift RH	7J9375	0-4	7J9641	6.500	2.750	I	2440962	135.98
	Lift RH	7J9375	5-6	7J9641	6.500	2.750	I	2435816	216.72
	Lift RH	7J9375	7-up	7J9641	6.500	2.750	I	2435812	121.99
	Log Fork	8J5755	0-up	8J5756	5.000	2.250	I	2410895	164.05
	Ripper	5J7686	0-5	5J7681	6.500	2.500	I	2435796	164.68
	Ripper	5J7686	6-up	5J7681	6.500	2.500	I	2422549	216.43
	Side Dump	5J9893	0-up	5J9892	5.000	2.500	I	2430386	198.75
	Tilt Bucket LH	8J5740	0-1	8J5742	5.000	2.000	I	2408479	71.65
	Tilt Bucket LH	8J5740	2-up	8J5742	5.000	2.000	I	2406883	113.34
	Tilt Bucket RH	8J5739	0-1	8J5741	5.000	2.000	I	2408479	71.65
	Tilt Bucket RH	8J5739	2-up	8J5741	5.000	2.000	I	2406883	113.34
	Tilt LH	9J0670	2-up	9J0669	6.000	2.790	I	8T1553	111.53
	Tilt LH	9J0673	0-up	9J0669	6.000	2.750	I	2440961	173.19
	Tilt RH	9J0671	0-up	9J0668	6.000	2.790	I	8T1553	111.53
	Tilt RH	9J0672	0-up	9J0668	6.000	2.750	I	2440961	173.19

All manufacturer's names, part numbers and descriptions are used for reference purposes only. We do not imply that any part shown is the product of these manufacturers.

**Tel.: (604) 278-6808**  
**Fax: (604) 278-6180**

**KITS 193**

**www.sealsonline.com**

**INDUSTRIAL SEAL KITS**

**MOBILE SEAL KITS**



**CATERPILLAR**

## CATERPILLAR

## TRACK LOADER

Model	Application	Cylinder Group	Engineering Design Change Level	Cylinder Assembly Part No.	Bore	Rod	I	Ref. Number RCAT-	\$
							M		
977L	Bucket	8J5761	0-2	8J5762	5.500	2.500	I	2430381	94.36
	Bucket	8J5761	3-up	8J5762	5.500	2.500	I	2430381	94.36
	Bucket	9J1822	0	9J2050	5.000	2.000	I	2408479	71.65
	Bucket	9J1822	1-up	9J2050	5.000	2.000	I	2406883	113.34
	Lift	7J9375	0-4	7J9641	6.500	2.750	I	2440962	135.98
	Lift	7J9375	5-6	7J9641	6.500	2.750	I	2435816	216.72
	Lift	7J9375	7-up	7J9641	6.500	2.750	I	2435812	121.99
	Lift	7J9376	0-4	7J9642	6.500	2.750	I	2440962	135.98
	Lift	7J9376	5-6	7J9642	6.500	2.750	I	2435816	216.72
	Lift	7J9376	7-up	7J9642	6.500	2.750	I	2435812	121.99
	Lift LH	3G8118	0-up	7J9642	6.500	2.750	I	8T1554	136.01
	Lift LH	7J9376	0-4	7J9642	6.500	2.750	I	2440962	135.98
	Lift LH	7J9376	5-6	7J9642	6.500	2.750	I	2435816	216.72
	Lift LH	7J9376	7-up	7J9642	6.500	2.750	I	2435812	121.99
	Lift RH	3G8119	0-up	7J9641	6.500	2.750	I	8T1554	136.01
	Lift RH	7J9375	0-4	7J9641	6.500	2.750	I	2440962	135.98
	Lift RH	7J9375	5-6	7J9641	6.500	2.750	I	2435816	216.72
	Lift RH	7J9375	7-up	7J9641	6.500	2.750	I	2435812	121.99
	Log Fork	8J5755	0-up	8J5756	5.000	2.250	I	2410895	164.05
	Ripper	5J7686	0-5	5J7681	6.500	2.500	I	2435796	164.68
	Ripper	5J7686	6-up	5J7681	6.500	2.500	I	2422549	216.43
	Side Dump	5J9893	0-up	5J9892	5.000	2.500	I	2430386	198.75
	Tilt Bucket LH	8J5740	0-1	8J5742	5.000	2.000	I	2408479	71.65
	Tilt Bucket LH	8J5740	2-up	8J5742	5.000	2.000	I	2406883	113.34
	Tilt Bucket RH	8J5739	0-1	8J5741	5.000	2.000	I	2408479	71.65
	Tilt Bucket RH	8J5739	2-up	8J5741	5.000	2.000	I	2406883	113.34
	Tilt LH	9J0670	2-up	9J0669	6.000	2.790	I	8T1553	111.53
	Tilt LH	9J0673	0-up	9J0669	6.000	2.750	I	2440961	173.19
Tilt RH	9J0671	0-up	9J0668	6.000	2.790	I	8T1553	111.53	
Tilt RH	9J0672	0-up	9J0668	6.000	2.750	I	2440961	173.19	
983	Bucket Clamp	8J5772	0-3	8J5773	6.000	2.500	I	2422558	276.49
	Bucket Clamp	8J5772	5-up	8J5773	6.000	2.500	I	2422550	236.20

All manufacturer's names, part numbers and descriptions are used for reference purposes only. We do not imply that any part shown is the product of these manufacturers.

INDUSTRIAL SEAL KITS

MOBILE SEAL KITS



CATERPILLAR

## TRACK TYPE TRACTOR

## CATERPILLAR

Model	Application	Cylinder Group	Engineering Design Change Level	Cylinder Assembly Part No.	Bore	Rod	I	Ref. Number RCAT-	\$
							M		
<b>D2</b>	N/A	4H6711	14-up	4H6724	4.000	1.250	I	2456815	83.59
<b>D3</b>	Ripper	7J9920	0-8		4.000	2.000	I	2406899	51.38
	Ripper	7J9920	8-up	7J9765	4.000	2.000	I	2339205	57.79
<b>D3B</b>	Angling	9J8698	0-3	9J8760	3.500	1.500	I	2465914	96.40
	Angling	9J8698	4-up	9J8760	3.500	1.500	I	2465917	152.28
	Backhoe Boom/Bucket	3G5767	0-5	3G5768	4.500	2.250	I	2410897	108.72
	Backhoe Boom/Bucket	3G5767	6-up	3G5768	4.500	2.250	I	2417584	151.74
	Backhoe Boom/Bucket	3G5905	0-4	3G5904	3.500	2.250	I	2410903	91.16
	Backhoe Boom/Bucket	3G5905	5-up	3G5904	3.500	2.250	I	2418916	173.30
	Backhoe Stick/Blade Shift	3G5771	0-3	3G5772	4.000	2.000	I	2406899	51.38
	Backhoe Stick/Blade Shift	3G5771	4-up	3G5772	4.000	2.000	I	2339205	57.79
	Lift	7J9223	0-7	7J9222	3.500	1.500	I	2465914	96.40
	Lift	7J9223	8-up	7J9222	3.500	1.500	I	2465917	152.28
	Lift	8J6894	0-up		3.500	1.500	I	2465914	96.40
	Lift	9T6652	0-up	9T6653	3.500	1.500	I	2465917	152.28
	Ripper	7J9920	0-8		4.000	2.000	I	2406899	51.38
	Ripper	7J9920	8-up	7J9765	4.000	2.000	I	2339205	57.79
	Stabilizer	3G6792	0-up		3.500	1.500	I	2465914	96.40
	Stabilizer LH	1U2656	0-2	1U2654	4.000	2.000	I	2406899	51.38
	Stabilizer LH	1U2656	3-up	1U2654	4.000	2.000	I	2339205	57.79
	Stabilizer RH	1U2655	0-2	1U2653	4.000	2.000	I	2406899	51.38
	Stabilizer RH	1U2655	3-up	1U2653	4.000	2.000	I	2339205	57.79
	Tilt	8J0095	1-up	8J0093	3.500	1.500	I	2465914	96.40
	Tilt	8J6893	0-4	8J7357	4.000	2.000	I	2406899	51.38
	Tilt	8J6893	5-up	8J7357	4.000	2.000	I	2339205	57.79
	Tilt	9J4042	1-up	9J4133	3.500	1.500	I	2465914	96.40
	Tilt	9J8674	0-2	9J9294	3.500	1.500	I	2465914	96.40
	Tilt	9J8674	3-up	9J9294	3.500	1.500	I	2465917	152.28
<b>D3C</b>	Angling	1026237	0-up	1019239	3.500	1.500	I	2465917	152.28
	Angling	1363155	0-up	1363943	3.500	1.500	I	2465917	152.28
	Angling	1363156	0-up	1363944	3.500	1.500	I	2465917	152.28
	Angling	1386859	0-up	1390551	3.000	1.500	I	2465913	64.72
	Angling	1390548	0-up	1390552	3.000	1.500	I	2465913	64.72
	Angling	9J8698	0-3	9J8760	3.500	1.500	I	2465914	96.40
	Angling	9J8698	4-up	9J8760	3.500	1.500	I	2465917	152.28
	Lift	1412915	0-up	1412917	3.500	1.500	I	2465917	152.28
	Lift	7J9223	0-7	7J9222	3.500	1.500	I	2465914	96.40
	Lift	7J9223	8-up	7J9222	3.500	1.500	I	2465917	152.28
	Lift	8J6894	0-up		3.500	1.500	I	2465914	96.40
	Ripper	7J9920	0-7		4.000	2.000	I	2406899	51.38
	Ripper	7J9920	8-up	7J9765	4.000	2.000	I	2339205	57.79
	Tilt	1437219	0-up	1437220	3.500	1.500	I	2465917	152.28
	Tilt	8J0095	1-up	8J0093	3.500	1.500	I	2465914	96.40
	Tilt	8J6893	0-4	8J7357	4.000	2.000	I	2406899	51.38

INDUSTRIAL  
SEAL KITS

MOBILE  
SEAL KITS



CATERPILLAR

All manufacturer's names, part numbers and descriptions are used for reference purposes only. We do not imply that any part shown is the product of these manufacturers.

Tel.: (418) 688-3202  
Fax: (418) 688-4272

**KITS 195**

[www.sealsonline.com](http://www.sealsonline.com)



## CATERPILLAR

## TRACK TYPE TRACTOR

Model	Application	Cylinder Group	Engineering Design Change Level	Cylinder Assembly Part No.	Bore	Rod	I	Ref. Number RCAT-	\$
							M		
	Tilt	8J6893	5-up	8J7357	4.000	2.000	I	2339205	57.79
	Tilt	9J4042	1-up	9J4133	3.500	1.500	I	2465914	96.40
	Tilt	9J8674	0-2	9J9294	3.500	1.500	I	2465914	96.40
	Tilt	9J8674	3-up	9J9294	3.500	1.500	I	2465917	152.28
<b>D4B</b>	Angling	9J8698	0-3	9J8760	3.500	1.500	I	2465914	96.40
	Angling	9J8698	4-up	9J8760	3.500	1.500	I	2465917	152.28
	Backhoe Boom/Bucket	3G5767	0-5	3G5768	4.500	2.250	I	2410897	108.72
	Backhoe Boom/Bucket	3G5767	6-up	3G5768	4.500	2.250	I	2417584	151.74
	Backhoe Boom/Bucket	3G5905	0-4	3G5904	3.500	2.250	I	2410903	91.16
	Backhoe Boom/Bucket	3G5905	5-up	3G5904	3.500	2.250	I	2418916	173.30
	Backhoe Stick/Blade Shift	3G5771	0-3	3G5772	4.000	2.000	I	2406899	51.38
	Backhoe Stick/Blade Shift	3G5771	4-up	3G5772	4.000	2.000	I	2339205	57.79
	Lift	7J9223	0-7	7J9222	3.500	1.500	I	2465914	96.40
	Lift	7J9223	8-up	7J9222	3.500	1.500	I	2465917	152.28
	Lift	9T6652	0-up	9T6653	3.500	1.500	I	2465917	152.28
	Ripper	7J9920	0-7		4.000	2.000	I	2406899	51.38
	Ripper	7J9920	8-up	7J9765	4.000	2.000	I	2339205	57.79
	Stabilizer	3G6792	0-up		3.500	1.500	I	2465914	96.40
	Stabilizer LH	1U2656	0-2	1U2654	4.000	2.000	I	2406899	51.38
	Stabilizer LH	1U2656	3-up	1U2654	4.000	2.000	I	2339205	57.79
	Stabilizer RH	1U2655	0-2	1U2653	4.000	2.000	I	2406899	51.38
	Stabilizer RH	1U2655	3-up	1U2653	4.000	2.000	I	2339205	57.79
	Tilt	9J8674	0-2	9J9294	3.500	1.500	I	2465914	96.40
	Tilt	9J8674	3-up	9J9294	3.500	1.500	I	2465917	152.28
<b>D4C</b>	Angling	1363156	0-up	1363944	3.500	1.500	I	2465917	152.28
	Angling	1390548	0-up	1390552	3.000	1.500	I	2465913	64.72
	Angling	9J8698	0-3	9J8760	3.500	1.500	I	2465914	96.40
	Angling	9J8698	4-up	9J8760	3.500	1.500	I	2465917	152.28
	Lift	1412915	0-up	1412917	3.500	1.500	I	2465917	152.28
	Lift	7J9223	0-7	7J9222	3.500	1.500	I	2465914	96.40
	Lift	7J9223	8-up	7J9222	3.500	1.500	I	2465917	152.28
	Ripper	7J9920	0-8		4.000	2.000	I	2406899	51.38
	Ripper	7J9920	8-up	7J9765	4.000	2.000	I	2339205	57.79
	Tilt	1437219	0-up	1437220	3.500	1.500	I	2465917	152.28
	Tilt	9J8674	0-2	9J9294	3.500	1.500	I	2465914	96.40
	Tilt	9J8674	3-up	9J9294	3.500	1.500	I	2465917	152.28
	<b>D4D</b>	Dozer	4J4890	0-up	4J4848	3.500	2.000	I	2408515
Dozer		4J4891	0-up	4J4848	3.500	2.000	I	2408515	122.59
Dozer		4T4575	0-up	4T4576	3.500	2.000	I	2386859	139.67
Pin Puller Ripper		4H6711	14-up	4H6724	4.000	1.250	I	2456815	83.59
Ripper		6J3308	0-up		5.500	2.500	I	2430381	94.36
Tilt		5J1603	0-1	5J1601	4.750	2.000	I	2410108	118.26

All manufacturer's names, part numbers and descriptions are used for reference purposes only. We do not imply that any part shown is the product of these manufacturers.

INDUSTRIAL SEAL KITS

MOBILE SEAL KITS



CATERPILLAR

## TRACK TYPE TRACTOR

## CATERPILLAR

Model	Application	Cylinder Group	Engineering Design Change Level	Cylinder Assembly Part No.	Bore	Rod	I	Ref. Number RCAT-	\$
							M		
<b>D4E</b>	Dozer	4T4574	0-up	4T4576	3.500	2.000	I	2386859	139.67
	Dozer	4T4575	0-up	4T4576	3.500	2.000	I	2386859	139.67
	Pin Puller Ripper	4H6711	14-up	4H6724	4.000	1.250	I	2456815	83.59
	Ripper	3G5189	0	3G5188	5.000	2.500	I	2430386	198.75
	Ripper	3G5189	1-up	3G5188	5.000	2.500	I	2422542	202.87
	Ripper	6J3308	0-up		5.500	2.500	I	2430381	94.36
	Tilt	5J1603	0-up	5J1601	4.750	2.000	I	2410108	118.26
<b>D4H</b>	Angling	1006174	0-up	1004536	3.500	1.750	I	2401881	56.93
	Angling	4T1683	0-2	4T1682	3.500	1.750	I	2401661	76.50
	Angling	4T1683	3-up	4T1682	3.500	1.750	I	2401881	56.93
	Angling	9T9247	0-up	4T1682	3.500	1.750	I	2401881	56.93
	Lift	3G9226	7-up	9T8422	4.250	2.000	I	2408523	106.22
	Lift	4T4783	1-up	4T4782	3.750	2.250	I	2410900	76.69
	Lift	8J6894	0-up		3.500	1.500	I	2465914	96.40
	Ripper	3G9892	0-2	1U0399	4.000	2.000	I	2406899	51.38
	Ripper	3G9892	3-up	1U0399	4.000	2.000	I	2339205	57.79
	Tilt	1U2568	3-up	1U2569	4.250	2.000	I	2408523	106.22
	Tilt	4T1063	0-3	4T1062	4.250	2.000	I	2384501	44.59
	Tilt	4T1063	4-up	4T1062	4.250	2.000	I	2409939	136.75
	Tilt	9T8760	0-up	9T8759	4.250	2.000	I	2409939	136.75
	Tilt	9T9557	0-up	9T9562	4.250	2.000	I	2409939	136.75
<b>D4TSKH</b>	Angling	1006174	0-up	1004536	3.500	1.750	I	2401881	56.93
	Angling	9T6247	3-up	1125532	3.500	1.750	I	2401881	56.93
	Angling	9T9247	0-2	4T1682	3.500	1.750	I	2401881	56.93
	Lift	6E0365	0-up	9T8422	4.250	2.000	I	2408523	106.22
	Lift	6E0366	0-up	4T2099	4.750	2.500	I	2285272	184.11
	Tilt	9T9557	0-up	9T9562	4.250	2.000	I	2409939	136.75
<b>D5</b>	Dozer	5J8174	0-up	5J8171	4.250	2.500	I	2422547	90.35
	Dozer	5J8176	0-up	5J8171	4.250	2.500	I	2422547	90.35
	Lift	7J7974	0-up	7J7975	4.000	1.500	I	2465910	88.38
	Lift	7J8299	0-12	7J8298	4.000	2.500	I	2422543	158.40
	Lift	7J8299	13-up	7J8298	4.000	2.500	I	2430391	155.56
	Lift	7J8302	0-12	7J8301	4.000	2.500	I	2422543	158.40
	Lift	7J8302	13-up	7J8301	4.000	2.500	I	2430391	155.56
	Ripper	8J1779	0-9	8J1778	7.250	2.500	I	2422544	182.82
	Ripper	8J1779	10-up	8J1778	7.250	2.500	I	2435799	195.46
<b>D5B</b>	Lift	7J7974	0-up	7J7975	4.000	1.500	I	2465910	88.38
	Lift	7J8299	0-12	7J8298	4.000	2.500	I	2422543	158.40
	Lift	7J8299	13-up	7J8298	4.000	2.500	I	2430391	155.56
	Lift	7J8302	0-12	7J8301	4.000	2.500	I	2422543	158.40
	Lift	7J8302	13-up	7J8301	4.000	2.500	I	2430391	155.56
	Ripper	8J1779	0-9	8J1778	7.250	2.500	I	2422544	182.82

All manufacturer's names, part numbers and descriptions are used for reference purposes only. We do not imply that any part shown is the product of these manufacturers.

Tel.: (514) 334-2220  
Fax: (514) 333-8329

**KITS 197**

[www.sealsonline.com](http://www.sealsonline.com)

INDUSTRIAL  
SEAL KITS

MOBILE  
SEAL KITS



CATERPILLAR

## CATERPILLAR

## TRACK TYPE TRACTOR

Model	Application	Cylinder Group	Engineering Design Change Level	Cylinder Assembly Part No.	Bore	Rod	I	Ref. Number RCAT-	\$
							M		
	Ripper	8J1779	10-up	8J1778	7.250	2.500	I	2435799	195.46
	Tilt	2J1402	0-22	6J0337	6.500	3.000	I	2442044	215.02
	Tilt	2J1402	23-up	6J0337	6.500	3.000	I	2440975	243.68
	Tilt	7J9695	0-up	7J9921	5.500	2.500	I	2430381	94.36
<b>D5C</b>	Angling	1363156	0-up	1363944	3.500	1.500	I	2465917	152.28
	Angling	1390548	0-up	1390552	3.000	1.500	I	2465913	64.72
	Angling	9J8698	0-3	9J8760	3.500	1.500	I	2465914	96.40
	Angling	9J8698	4-up	9J8760	3.500	1.500	I	2465917	152.28
	Lift	1412915	0-up	1412917	3.500	1.500	I	2465917	152.28
	Lift	7J9223	0-7	7J9222	3.500	1.500	I	2465914	96.40
	Lift	7J9223	8-up	7J9222	3.500	1.500	I	2465917	152.28
	Ripper	7J9920	0-7		4.000	2.000	I	2406899	51.38
	Ripper	7J9920	8-up	7J9765	4.000	2.000	I	2339205	57.79
	Tilt	1437219	0-up	1437220	3.500	1.500	I	2465917	152.28
	Tilt	9J8674	0-2	9J9294	3.500	1.500	I	2465914	96.40
	Tilt	9J8674	3-up	9J9294	3.500	1.500	I	2465917	152.28
	Ripper	8J1779	0-9	8J1778	7.250	2.500	I	2422544	182.82
<b>D5E</b>	Ripper	8J1779	10-up	8J1778	7.250	2.500	I	2435799	195.46
<b>D5H</b>	Angling	4T1666	0-up	4T1665	4.000	2.000	I	2406899	51.38
	Angling	9T9273	0-8	4T1665	4.000	2.000	I	2339205	57.79
	Angling	9T9273	9-up	4T1665	4.000	2.000	I	2409538	71.05
	Lift	1153524	0-up	1158218	3.750	2.250	I	2350969	160.83
	Lift	1U1839	3-5	1U1838	3.750	2.250	I	2410900	76.69
	Lift	1U1839	6-up	1U1838	3.750	2.250	I	2465907	418.84
	Lift	1U1988	6-up	1U1838	3.750	2.250	I	2409941	134.45
	Lift	4T1089	0-2	4T1088	3.750	2.250	I	2410900	76.69
	Lift	4T1089	3-up	4T1088	3.750	2.250	I	2350969	160.83
	Lift	4T1659	0-4	4T1658	4.500	2.250	I	2410897	108.72
	Lift	4T1659	5-up	9T8425	4.500	2.250	I	2417584	151.74
	Lift	6E5400	0-up	6E5401	4.500	2.250	I	2417585	146.17
	Ripper	3G5909	0-2	3G6533	4.000	2.000	I	2406899	51.38
	Ripper	3G5909	3-up	3G6533	4.000	2.000	I	2339205	57.79
Ripper	9T2716	0	9T2715	5.000	2.500	I	2430386	198.75	
<b>D5M</b>	Ripper	9T2716	1-up	9T2715	5.000	2.500	I	2422542	202.87
	Tilt	1U3991	0-4	9T0934	6.500	3.000	I	2442044	215.02
	Tilt	1U3991	5-up	9T0934	6.500	3.000	I	2440980	179.07
	Tilt	4T1625	0-1	4T1626	4.750	2.250	I	2410902	97.73
	Tilt	4T1625	2-up	4T1626	4.750	2.250	I	2417580	149.22
	Tilt	4T2613	0-1	4T2629	5.000	2.500	I	2430386	198.75
	Tilt	4T2613	2-up	4T2629	5.000	2.500	I	2430387	179.76
	Angling	1061286	0-up	1061289	3.500	1.750	I	2401881	56.93
	Angling	1378456	0-up	1061289	3.500	1.750	I	2401881	56.93
	Angling	1526482	0-up	1061289	3.500	1.750	I	2401881	56.93
	Lift	1059822	1-up	1059823	4.250	2.000	I	2409939	136.75
	Lift	1607610	0-up	1607611	4.750	2.500	I	2285272	184.11

All manufacturer's names, part numbers and descriptions are used for reference purposes only. We do not imply that any part shown is the product of these manufacturers.

INDUSTRIAL SEAL KITS

MOBILE SEAL KITS



CATERPILLAR

## TRACK TYPE TRACTOR

## CATERPILLAR

Model	Application	Cylinder Group	Engineering Design Change Level	Cylinder Assembly Part No.	Bore	Rod	I	Ref. Number RCAT-	\$
							M		
	Lift	6E0366	0-up	4T2099	4.750	2.500	I	2285272	184.11
	Ripper	3G9892	0-2	1U0399	4.000	2.000	I	2406899	51.38
	Ripper	3G9892	3-up	1U0399	4.000	2.000	I	2339205	57.79
	Tilt	1063255	0-up	1063256	4.750	2.250	I	2418920	152.84
	Tilt	1514861	0-up	1514862	4.750	2.250	I	2418920	152.84
	Tilt	1600045	0-1	1600046	4.750	2.500	I	2341948	188.00
<b>D5TSKH</b>	Angling	9T9273	0-8	4T1665	4.000	2.000	I	2339205	57.79
	Angling	9T9273	9-up	4T1665	4.000	2.000	I	2409538	71.05
	Lift	6E0366	0-up	4T2099	4.750	2.500	I	2285272	184.11
<b>D6B</b>	Tilt	2J1402	0-22	6J0337	6.500	3.000	I	2442044	215.02
	Tilt	2J1402	23-up	6J0337	6.500	3.000	I	2440975	243.68
<b>D6C</b>	Backhoe Stick/Blade Shift	8J5448	0-8	8J5444	4.000	2.000	I	2406899	51.38
	Backhoe Stick/Blade Shift	8J5448	9-up	8J5444	4.000	2.000	I	2339205	57.79
	Dozer	5J8172	0-up	5J8169	4.250	2.500	I	2422547	90.35
	Dozer	5J8173	0-up	5J8169	4.250	2.500	I	2422547	90.35
	Lift	7J7974	0-up	7J7975	4.000	1.500	I	2465910	88.38
	Lift	7J8302	0-12	7J8301	4.000	2.500	I	2422543	158.40
	Lift	7J8302	13-up	7J8301	4.000	2.500	I	2430391	155.56
	Lift	8J6868	0-6	8J6867	4.000	2.500	I	2422543	158.40
	Lift	8J6868	7-up	8J6867	4.000	2.500	I	2430391	155.56
	Ripper	8J1779	0-9	8J1778	7.250	2.500	I	2422544	182.82
	Ripper	8J1779	10-up	8J1778	7.250	2.500	I	2435799	195.46
	Tilt	2J1402	0-22	6J0337	6.500	3.000	I	2442044	215.02
	Tilt	2J1402	23-up	6J0337	6.500	3.000	I	2440975	243.68
<b>D6D</b>	Backhoe Stick/Blade Shift	8J5448	0-8	8J5444	4.000	2.000	I	2406899	51.38
	Backhoe Stick/Blade Shift	8J5448	9-up	8J5444	4.000	2.000	I	2339205	57.79
	Lift	7J7974	0-up	7J7975	4.000	1.500	I	2465910	88.38
	Lift	7J8302	0-12	7J8301	4.000	2.500	I	2422543	158.40
	Lift	7J8302	13-up	7J8301	4.000	2.500	I	2430391	155.56
	Lift	8J6868	0-6	8J6867	4.000	2.500	I	2422543	158.40
	Lift	8J6868	7-up	8J6867	4.000	2.500	I	2430391	155.56
	Ripper	8J1779	0-9	8J1778	7.250	2.500	I	2422544	182.82
	Ripper	8J1779	10-up	8J1778	7.250	2.500	I	2435799	195.46
	Tilt	1U3495	0-up		6.000	2.500	I	2422557	199.43
	Tilt	2J1402	0-22	6J0337	6.500	3.000	I	2442044	215.02
	Tilt	2J1402	23-up	6J0337	6.500	3.000	I	2440975	243.68
	Tilt	7J3171	0-up	7J3170	6.000	2.500	I	2422557	199.43
	Tilt	7J9695	0-up	7J9921	5.500	2.500	I	2430381	94.36
	Tilt	9T2797	0-up	9T2795	6.000	2.500	I	2422552	130.58
	Tilt LH	6J0518	0-up	6J0516	6.000	2.500	I	2422557	199.43
	Tilt LH	7J3172	0-up	7J3170	6.000	2.500	I	2422557	199.43
	Tilt RH	6J0517	0-up	6J0516	6.000	2.500	I	2422557	199.43

All manufacturer's names, part numbers and descriptions are used for reference purposes only. We do not imply that any part shown is the product of these manufacturers.

**Tel.: (905) 362-0889**  
**Fax: (888) 238-1664**

**KITS 199**

[www.sealsonline.com](http://www.sealsonline.com)

INDUSTRIAL  
SEAL KITS

MOBILE  
SEAL KITS



CATERPILLAR

## CATERPILLAR

## TRACK TYPE TRACTOR

Model	Application	Cylinder Group	Engineering Design Change Level	Cylinder Assembly Part No.	Bore	Rod	I	Ref. Number RCAT-	\$	
							M			
D6E	Lift	8J6868	0-6	8J6867	4.000	2.500	I	2422543	158.40	
	Lift	8J6868	7-up	8J6867	4.000	2.500	I	2430391	155.56	
	Ripper	1306135	0-up	1311132	7.250	2.500	I	2435799	195.46	
	Ripper	8J1779	0-9	8J1778	7.250	2.500	I	2422544	182.82	
	Ripper	8J1779	10-up	8J1778	7.250	2.500	I	2435799	195.46	
	Tilt	1U3495	0-up	1U3496	6.000	2.500	I	2422557	199.43	
	Tilt	2J1402	0-22	6J0337	6.500	3.000	I	2442044	215.02	
	Tilt	2J1402	23-up	6J0337	6.500	3.000	I	2440975	243.68	
	Tilt	9T2797	0-up	9T2795	6.000	2.500	I	2422552	130.58	
D6G	Lift	8J6868	0-6	8J6867	4.000	2.500	I	2422543	158.40	
	Lift	8J6868	7-up	8J6867	4.000	2.500	I	2430391	155.56	
	Ripper	1306135	0-up	1311132	7.250	2.500	I	2435799	195.46	
	Ripper	8J1779	0-9	8J1778	7.250	2.500	I	2422544	182.82	
	Ripper	8J1779	10-up	8J1778	7.250	2.500	I	2435799	195.46	
	Tilt	1U3495	0-up	1U3496	6.000	2.500	I	2422557	199.43	
	Tilt	2J1402	0-22	6J0337	6.500	3.000	I	2442044	215.02	
	Tilt	2J1402	23-up	6J0337	6.500	3.000	I	2440975	243.68	
	Tilt	9T2797	0-up	9T2795	6.000	2.500	I	2422552	130.58	
D6H	Dozer	1U3989	0-2	1U4086	3.750	2.500	I	2422551	92.58	
	Dozer	1U3989	3-up	1U4086	3.750	2.500	I	2430389	152.51	
	Dozer	1U3990	0-2	1U4087	3.750	2.500	I	2422551	92.58	
	Dozer	1U3990	3-up	1U4087	3.750	2.500	I	2430389	152.51	
	Dozer	4Y3807	0-up	4Y4171	3.750	2.500	I	2430389	152.51	
	Dozer	9T8952	0-7	9T8953	4.000	2.500	I	2430397	109.32	
	Dozer	9T8952	8-up	9T8953	4.000	2.500	I	2292626	94.82	
	Dozer	9T8996	0-7	9T8997	4.000	2.500	I	2430397	109.32	
	Dozer	9T8996	8-up	9T8997	4.000	2.500	I	2292626	94.82	
	Ripper	9T2716	0	9T2715	5.000	2.500	I	2430386	198.75	
	Ripper	9T2716	1-up	9T2715	5.000	2.500	I	2422542	202.87	
	Tilt	1U3991	0-4	9T0934	6.500	3.000	I	2442044	215.02	
	Tilt	1U3991	5-up	9T0934	6.500	3.000	I	2440980	179.07	
	Tilt	1U3992	0-up		6.000	2.500	I	2422558	276.49	
	Tilt	9T6095	0-4	9T6094	6.000	2.500	I	2422558	276.49	
	Tilt	9T6095	5-up	9T6094	6.000	2.500	I	2430388	205.55	
	D6M	Angling	1103786	2-up	1103787	4.000	2.000	I	2409538	71.05
		Angling	1526485	0-up	1103787	4.000	2.000	I	2409538	71.05
Lift		1103269	0-up	1103270	4.500	2.250	I	2417584	151.74	
Lift		1153524	0-up	1158218	3.750	2.250	I	2350969	160.83	
N/A		1375107	0-up	1103787	4.000	2.000	I	2409538	71.05	
Ripper		3G5909	0-2	3G6533	4.000	2.000	I	2406899	51.38	
Ripper		3G5909	3-up	3G6533	4.000	2.000	I	2339205	57.79	
Ripper		9T2716	0	9T2715	5.000	2.500	I	2430386	198.75	
Ripper		9T2716	1-up	9T2715	5.000	2.500	I	2422542	202.87	
Tilt		1104761	0-up	1104763	5.500	2.500	I	2435801	170.03	
Tilt		1514518	0-up	1514519	5.500	2.500	I	2435801	170.03	
Tilt		1600054	0-up	1600055	5.500	2.500	I	2422539	164.15	

All manufacturer's names, part numbers and descriptions are used for reference purposes only. We do not imply that any part shown is the product of these manufacturers.

INDUSTRIAL SEAL KITS

MOBILE SEAL KITS



CATERPILLAR

## TRACK TYPE TRACTOR

## CATERPILLAR

Model	Application	Cylinder Group	Engineering Design Change Level	Cylinder Assembly Part No.	Bore	Rod	I	Ref. Number RCAT-	\$
							M		
<b>D6R</b>	Dozer	1278931	0-up	1278932	4.000	2.500	I	2292626	94.82
	Dozer	1294258	0-up	1294302	4.000	2.500	I	2292626	94.82
	Ripper	9T2716	0	9T2715	5.000	2.500	I	2430386	198.75
	Ripper	9T2716	1-up	9T2715	5.000	2.500	I	2422542	202.87
	Tilt	1U3991	0-4	9T0934	6.500	3.000	I	2442044	215.02
	Tilt	1U3991	5-up	9T0934	6.500	3.000	I	2440980	179.07
	Tilt	9T6095	0-4	9T6094	6.000	2.500	I	2422558	276.49
	Tilt	9T6095	5-up	9T6094	6.000	2.500	I	2430388	205.55
<b>D7E</b>	Ripper	3J6439	0-up	3J6438	6.000	2.500	I	2422556	201.03
<b>D7F</b>	Dozer LH	1041944	0-up	1041946	4.750	2.500	I	2435804	165.90
	Dozer LH	1U2136	0-up	7J3337	4.750	2.500	I	2285271	156.82
	Dozer RH	1041943	0-up	1041945	4.750	2.500	I	2435804	165.90
	Dozer RH	1U2135	0-up	7J3337	4.750	2.500	I	2285271	156.82
	Lift LH	7J3334	0-up	7J3337	4.750	2.500	I	2285271	156.82
	Lift RH	7J3333	0-up	7J3337	4.750	2.500	I	2285271	156.82
	Ripper	3J6439	0-up	3J6438	6.000	2.500	I	2422556	201.03
	Tilt	9J8748	0-1	9J8749	6.500	3.000	I	2442044	215.02
Tilt	9J8748	2-up	9J8749	6.500	3.000	I	2440980	179.07	
<b>D7G</b>	Dozer LH	1041944	0-up	1041946	4.750	2.500	I	2435804	165.90
	Dozer LH	1U2133	0-up	9J4886	4.750	2.500	I	2285271	156.82
	Dozer LH	1U2136	0-up	7J3337	4.750	2.500	I	2285271	156.82
	Dozer RH	1041943	0-up	1041945	4.750	2.500	I	2435804	165.90
	Dozer RH	1U2134	0-up	9J4886	4.750	2.500	I	2285271	156.82
	Dozer RH	1U2135	0-up	7J3337	4.750	2.500	I	2285271	156.82
	Lift LH	7J3334	0-up	7J3337	4.750	2.500	I	2285271	156.82
	Lift RH	7J3333	0-up	7J3337	4.750	2.500	I	2285271	156.82
	Lift RH	9J4888	1-up	9J4886	4.750	2.500	I	2285271	156.82
	Ripper	3J6439	0-up	3J6438	6.000	2.500	I	2422556	201.03
	Tilt	2J1402	0-22	6J0337	6.500	3.000	I	2442044	215.02
	Tilt	2J1402	23-up	6J0337	6.500	3.000	I	2440975	243.68
	Tilt	5J7929	0-up	4J6837	6.000	2.500	I	2422557	199.43
	Tilt	9J8748	0-1	9J8749	6.500	3.000	I	2442044	215.02
	Tilt	9J8748	2-up	9J8749	6.500	3.000	I	2440980	179.07
	Tilt LH	5J7930	0-up	4J6837	6.000	2.500	I	2422557	199.43
	Tilt LH	7J9364	0-3	7J9362	6.000	2.500	I	2422558	276.49
	Tilt LH	7J9364	6-up	7J9362	6.000	2.500	I	2422550	236.20
<b>D7H</b>	Dozer	1291908	0-up	1291910	4.000	2.500	I	2292626	94.82
	Dozer	1U4851	0-4	1U4823	4.000	2.500	I	2422543	158.40
	Dozer	1U4851	5-up	1U4823	4.000	2.500	I	2430397	109.32
	Dozer	1U4852	0-3	1U4825	4.000	2.500	I	2422543	158.40
	Dozer	1U4852	4-up	1U4825	4.000	2.500	I	2430397	109.32
	Lift	1294259	0-up	1294303	4.000	2.500	I	2292626	94.82

All manufacturer's names, part numbers and descriptions are used for reference purposes only. We do not imply that any part shown is the product of these manufacturers.

**Tel.: (204) 783-9617**  
**Fax: (204) 783-6091**

**KITS 201**

**www.sealsonline.com**

INDUSTRIAL  
SEAL KITS

MOBILE  
SEAL KITS



CATERPILLAR

## CATERPILLAR

## TRACK-TYPE TRACTOR

Model	Application	Cylinder Group	Engineering Design Change Level	Cylinder Assembly Part No.	Bore	Rod	I	Ref. Number RCAT-	\$
							M		
D7R	Lift	6E1836	0-6	6E1837	4.000	2.500	I	2430397	109.32
	Lift	6E1836	7-up	6E1837	4.000	2.500	I	2292626	94.82
	Lift	6E1841	0-6	6E1842	4.000	2.500	I	2430397	109.32
	Lift	6E1841	7-up	6E1842	4.000	2.500	I	2292626	94.82
	Ripper	4T8639	0-up	4T8701	5.250	2.750	I	2435810	119.79
	Ripper	9T0142	0-5	9T0579	7.250	3.000	I	2442046	146.04
	Ripper	9T0142	6-up	9T0579	7.250	3.000	I	2442047	228.25
	Tilt	1124814	0-up	1124815	6.000	2.750	I	2440969	172.15
	Tilt	3G4533	6-up	3G4532	6.500	3.000	I	2440980	179.07
	Tilt	9T6113	0-up	9T6114	6.500	3.000	I	2440980	179.07
	Dozer	1291908	0-up	1291910	4.000	2.500	I	2292626	94.82
	Dozer	1U4851	0-4	1U4823	4.000	2.500	I	2422543	158.40
	Dozer	1U4851	5-up	1U4823	4.000	2.500	I	2430397	109.32
	Dozer	1U4852	0-3	1U4825	4.000	2.500	I	2422543	158.40
Dozer	1U4852	4-up	1U4825	4.000	2.500	I	2430397	109.32	
Lift	1294259	0-up	1294303	4.000	2.500	I	2292626	94.82	
Lift	6E1836	0-6	6E1837	4.000	2.500	I	2430397	109.32	
Lift	6E1836	7-up	6E1837	4.000	2.500	I	2292626	94.82	
Lift	6E1841	0-6	6E1842	4.000	2.500	I	2430397	109.32	
Lift	6E1841	7-up	6E1842	4.000	2.500	I	2292626	94.82	
Ripper	9T0142	0-5	9T0579	7.250	3.000	I	2442046	146.04	
Ripper	9T0142	6-up	9T0579	7.250	3.000	I	2442047	228.25	
Tilt	1124814	0-up	1124815	6.000	2.750	I	2440969	172.15	
Tilt	3G4533	6	3G4532	6.500	3.000	I	2440980	179.07	
Tilt	3G4598	7-up	3G4532	6.500	3.000	I	2440980	179.07	
Tilt	9T6113	0-up	9T6114	6.500	3.000	I	2440980	179.07	
Tilt LH	1470709	0-up	1470712	6.500	3.000	I	2440980	179.07	
Tilt RH	1470708	0-up	1470711	6.500	3.000	I	2440980	179.07	
D8H	Angling	3J2189	0-up	3J4308	6.000	2.500	I	2422556	201.03
	Dozer	2J3894	6-up	2J6778	8.250	3.500	I	2456826	282.85
	Dozer	5J2815	0-up	5J2809	6.000	2.500	I	2422556	201.03
	Dozer	6J8816	0-2	6J8817	6.000	2.500	I	2422558	276.49
	Lift	5J1243	0-up	5J1242	6.000	2.500	I	2422556	201.03
	Lift LH	5J9378	2-up	5J9376	5.000	2.500	I	2422553	125.55
	Lift RH	5J9708	1-up	5J9376	5.000	2.500	I	2422553	125.55
	Pin Puller	4J5057	3-up	4H6724	4.000	1.250	I	2456815	83.59
	Pin Puller	7J0508	0-up	7J0506	4.000	1.250	I	2456815	83.59
	Pin Puller	8J2071	0-up	8J2072	4.000	1.500	I	2465910	88.38
	Ripper	6J9129	3-up	6J9128	7.300	3.000	I	2442067	286.86
Ripper	7J3222	0-2	6J8320	8.250	3.250	I	2450599	246.92	
Ripper	7J3222	3-up	6J8320	8.250	3.250	I	2450584	267.73	
Ripper RH	7J3221	0-2	6J8320	8.250	3.250	I	2450599	246.92	
Ripper RH	7J3221	3-up	6J8320	8.250	3.250	I	2450584	267.73	
Tilt	7J0192	0-6	7J0191	8.250	3.500	I	2460638	176.79	
Tilt	7J0192	7-up	7J0191	8.250	3.500	I	2456837	257.86	

All manufacturer's names, part numbers and descriptions are used for reference purposes only. We do not imply that any part shown is the product of these manufacturers.

INDUSTRIAL SEAL KITS

MOBILE SEAL KITS



CATERPILLAR

## TRACK-TYPE TRACTOR

## CATERPILLAR

Model	Application	Cylinder Group	Engineering Design Change Level	Cylinder Assembly Part No.	Bore	Rod	I	Ref. Number RCAT-	\$	
							M			
D8K	Dozer	8J8584	0-up		5.000	2.750	I	2435809	204.76	
	Lift	8J8585	0-1		5.000	2.750	I	2435809	204.76	
	Lift LH	3G8089	0-up	8J8583	5.000	2.750	I	2435811	157.78	
	Lift LH	8J8585	1-up	8J8583	5.000	2.750	I	2435809	204.76	
	Lift RH	3G8090	0-up	8J8583	5.000	2.750	I	2435811	157.78	
	Pin Puller	7J0508	0-up	7J0506	4.000	1.250	I	2456815	83.59	
	Pin Puller	8J2071	0-up	8J2072	4.000	1.500	I	2465910	88.38	
	Ripper	6J9129	3-up	6J9128	7.300	3.000	I	2442067	286.86	
	Ripper	7J3222	0-2	6J8320	8.250	3.250	I	2450599	246.92	
	Ripper	7J3222	3-up	6J8320	8.250	3.250	I	2450584	267.73	
	Ripper RH	7J3221	0-2	6J8320	8.250	3.250	I	2450599	246.92	
	Ripper RH	7J3221	3-up	6J8320	8.250	3.250	I	2450584	267.73	
	D8L	Tilt	8J8682	0-3	8J8683	8.250	3.500	I	2460638	176.79
Tilt		8J8682	4-up	8J8683	8.250	3.500	I	2456837	257.86	
Dozer		9J8802	4-8	9J8803	7.500	3.500	I	2456836	266.28	
Dozer		9J8802	12-up	9J8803	7.500	3.500	I	2456834	187.69	
Lift		3G8537	0-3	3G8194	5.250	3.000	I	2442073	159.20	
Lift		3G8537	4-6	3G8194	5.250	3.000	I	2442072	208.74	
Lift		3G8537	7-up	3G8194	5.250	3.000	I	2442065	206.97	
Lift		9T2860	2-6	3G8194	5.250	3.000	I	2442072	208.74	
Lift		9T2860	7-up	3G8194	5.250	3.000	I	2442065	206.97	
Pin Puller		1U3373	0-up	1U3374	4.000	1.500	I	2465910	88.38	
Ripper		3G6457	0-up		8.250	3.250	I	2450584	267.73	
D8N		Tilt	3G5707	3-4	3G5706	8.250	3.500	I	2460638	176.79
		Tilt	3G5707	5-up	3G5706	8.250	3.500	I	2456837	257.86
	Dozer	6E1102	0-7	6E1103	4.500	3.000	I	2292758	210.89	
	Dozer	6E1102	8-9	6E1103	4.500	3.000	I	2292759	180.74	
	Dozer	6E1102	10	6E1103	4.500	3.000	I	2292758	210.89	
	Dozer	6E1102	11-up	6E1103	4.500	3.000	I	2292759	180.74	
	Dozer	6E1175	2-up	6E1176	7.250	3.500	I	2456839	299.67	
	Dozer	9T0140	0-5	9T0332	4.250	2.750	I	2440964	173.34	
	Dozer	9T0140	6-up	9T0332	4.250	2.750	I	2440959	112.06	
	Dozer	9T0141	7-up	9T0266	7.500	3.500	I	2456834	187.69	
	Pin Puller	6E3113	0-up	6E3976	4.000	1.750	I	2404819	109.77	
	D8R	Pin Puller	9T2066	0-up	9T2755	4.000	1.500	I	2465910	88.38
		Ripper	9T0142	0-5	9T0579	7.250	3.000	I	2442046	146.04
Ripper		9T0142	6-up	9T0579	7.250	3.000	I	2442047	228.25	
Ripper		9T0143	0-up	9T0612	6.500	3.000	I	2442050	233.90	
Tilt		6E0397	0-up	6E0398	7.250	3.000	I	2442059	210.16	
Tilt		9T6077	0-up	9T5908	6.500	3.000	I	2440980	179.07	
Dozer		6E1102	0-7	6E1103	4.500	3.000	I	2292758	210.89	
Dozer		6E1102	8-9	6E1103	4.500	3.000	I	2292759	180.74	
Dozer		6E1102	10	6E1103	4.500	3.000	I	2292758	210.89	
Dozer		6E1102	11-up	6E1103	4.500	3.000	I	2292759	180.74	
Dozer		6E1175	2-up	6E1176	7.250	3.500	I	2456839	299.67	
Pin Puller		6E3113	0-up	6E3976	4.000	1.750	I	2404819	109.77	

All manufacturer's names, part numbers and descriptions are used for reference purposes only. We do not imply that any part shown is the product of these manufacturers.

Tel.: (780) 414-1871  
Fax: (780) 487-5419

**KITS 203**

[www.sealsonline.com](http://www.sealsonline.com)

INDUSTRIAL  
SEAL KITS

MOBILE  
SEAL KITS



CATERPILLAR



## CATERPILLAR

## TRACK-TYPE TRACTOR

Model	Application	Cylinder Group	Engineering Design Change Level	Cylinder Assembly Part No.	Bore	Rod	I	Ref. Number RCAT-	\$
							M		
D9G	Pin Puller	9T2066	0-up	9T2755	4.000	1.500	I	2465910	88.38
	Ripper	4Z6313	0-up	9T0612	6.500	3.000	I	2442050	233.90
	Ripper	9T0142	0-5	9T0579	7.250	3.000	I	2442046	146.04
	Ripper	9T0142	6-up	9T0579	7.250	3.000	I	2442047	228.25
	Ripper	9T0143	0-up	9T0612	6.500	3.000	I	2442050	233.90
	Tilt	6E0397	0-up	6E0398	7.250	3.000	I	2442059	210.16
	Dozer	6J8816	0-2	6J8817	6.000	2.500	I	2422558	276.49
D9H	Lift LH	7J1488	0-3	7J1489	9.250	3.250	I	2450588	258.48
	Lift LH	7J1488	4-up	7J1489	9.250	3.250	I	2450600	325.08
	Lift RH	7J1487	0-3	7J1489	9.250	3.250	I	2450588	258.48
	Lift RH	7J1487	4-up	7J1489	9.250	3.250	I	2450600	325.08
	Pin Puller	4J5057	3-up	4H6724	4.000	1.250	I	2456815	83.59
	Pin Puller	7J0508	0-up	7J0506	4.000	1.250	I	2456815	83.59
	Pin Puller	8J2071	0-up	8J2072	4.000	1.500	I	2465910	88.38
D9L	Ripper	6J7810	0-4	6J7809	8.250	3.500	I	2460638	176.79
	Ripper	6J7810	5-up	6J7809	8.250	3.500	I	2456827	393.16
	Ripper LH	5J1264	0-up	5J1261	9.250	2.750	I	7X2796	239.25
	Ripper RH	5J1263	0-up	5J1261	9.250	2.750	I	7X2796	239.25
	Tilt	6J1570	2-7	6J1555	8.250	3.500	I	2460638	176.79
	Tilt	6J1570	8-up	6J1555	8.250	3.500	I	2456837	257.86
	Dozer LH	3G1174	0-up	5J3036	6.250	3.000	I	2442061	159.83
D9M	Dozer LH	3G1177	0-up	5J3036	6.250	3.000	I	2442061	159.83
	Dozer RH	3G1175	0-up	5J3036	6.250	3.000	I	2442061	159.83
	Dozer RH	3G1176	0-up	5J3036	6.250	3.000	I	2442061	159.83
	Lift LH	7J1488	0-3	7J1489	9.250	3.250	I	2450588	258.48
	Lift LH	7J1488	4-up	7J1489	9.250	3.250	I	2450600	325.08
	Lift RH	7J1487	0-3	7J1489	9.250	3.250	I	2450588	258.48
	Lift RH	7J1487	4-up	7J1489	9.250	3.250	I	2450600	325.08
D9N	Pin Puller	8J2071	0-up	8J2072	4.000	1.500	I	2465910	88.38
	Ripper	6J7810	0-4	6J7809	8.250	3.500	I	2460638	176.79
	Ripper	6J7810	5-up	6J7809	8.250	3.500	I	2456827	393.16
	Tilt	6J1570	2-7	6J1555	8.250	3.500	I	2460638	176.79
	Tilt	6J1570	8-up	6J1555	8.250	3.500	I	2456837	257.86
	Dozer	3G8661	0-6	3G8660	9.250	4.000	I	2460652	356.08
	Dozer	3G8661	7-up	3G8660	9.250	4.000	I	2460648	339.07
D9P	Dozer	4T4248	0-1	4T4249	9.250	4.000	I	2460652	356.08
	Dozer	4T4248	2-up	4T4249	9.250	4.000	I	2460648	339.07
	Lift	9J5868	9-up	9J5862	6.000	3.250	I	2450617	175.09
	Pin Puller	1U3373	0-up	1U3374	4.000	1.500	I	2465910	88.38
	Ripper LH	4T5111	0	4T5114	9.250	3.250	I	2450588	258.48
	Ripper LH	4T5111	1-3	4T5114	9.250	3.250	I	2450589	265.32
	Ripper LH	4T5111	4-up	4T5114	9.250	3.250	I	2450590	280.99
	Ripper RH	4T5112	0	4T5114	9.250	3.250	I	2450588	258.48
	Ripper RH	4T5112	1-4	4T5114	9.250	3.250	I	2450589	265.32
	Ripper RH	4T5112	5-up	4T5114	9.250	3.250	I	2450590	280.99

All manufacturer's names, part numbers and descriptions are used for reference purposes only. We do not imply that any part shown is the product of these manufacturers.

INDUSTRIAL SEAL KITS

MOBILE SEAL KITS



CATERPILLAR

## TRACK-TYPE TRACTOR

## CATERPILLAR

Model	Application	Cylinder Group	Engineering Design Change Level	Cylinder Assembly Part No.	Bore	Rod	I	Ref. Number RCAT-	\$
							M		
D9N	Lift	9T2860	2-6	3G8194	5.250	3.000	I	2442072	208.74
	Lift	9T2860	7-up	3G8194	5.250	3.000	I	2442065	206.97
	Pin Puller	6E3113	0-up	6E3976	4.000	1.750	I	2404819	109.77
	Pin Puller	9T2066	0-up	9T2755	4.000	1.500	I	2465910	88.38
	Ripper	3G6457	0-up		8.250	3.250	I	2450584	267.73
	Ripper	9T0106	0-up	9T0105	6.500	2.000	I	2442049	101.30
	Tilt	3G5707	3-4	3G5706	8.250	3.500	I	2460638	176.79
	Tilt	3G5707	5-up	3G5706	8.250	3.500	I	2456837	257.86
	Tilt	6E4835	0-4	6E4858	8.250	3.500	I	2456837	257.86
	Tilt	6E4835	5-up	6E4858	8.250	3.500	I	2456835	304.55
	Tilt	6E4836	0-4	6E4857	8.250	3.500	I	2456837	257.86
	Tilt	6E4836	5-up	6E4857	8.250	3.500	I	2456835	304.55
D9R	Dozer	4Z6172	0-up	6E4493	4.750	3.000	I	2292968	250.19
	Dozer	6E4433	0-5	6E4493	4.750	3.000	I	2442075	234.20
	Dozer	6E4433	6-9	6E4493	4.750	3.000	I	2442054	239.45
	Dozer	6E4433	10-up	6E4493	4.750	3.000	I	2292968	250.19
	Pin Puller	6E3113	0-up	6E3976	4.000	1.750	I	2404819	109.77
	Ripper	1238097	0-up	1238093	6.000	3.000	I	2442055	205.40
	Ripper	1238098	0-up	1238094	7.250	3.250	I	2450596	227.08
	Ripper	1325123	0-up	1325121	7.250	3.250	I	2450596	227.08
	Ripper	1325149	0-up	1325146	6.000	3.000	I	2442055	205.40
	Ripper	4Z6363	0-up	1325121	7.250	3.250	I	2450619	282.87
	Ripper	4Z6364	0-up	1325146	6.000	3.000	I	1316106	274.32
	Ripper	9T5807	0-up	9T5804	6.000	3.000	I	2442055	205.40
	Ripper	9T5813	0-up	9T5812	7.250	3.250	I	2450596	227.08
	Tilt	1096778	0-up	1096783	8.250	3.500	I	2456835	304.55
	Tilt	4Z6170	0-up	1096783	8.250	3.500	I	1935433	202.34
	Tilt LH	1098833	0-up	1098837	8.250	3.500	I	2456835	304.55
	Tilt LH	4Z6357	0-up	1098837	8.250	3.500	I	1935433	202.34
	Tilt RH	1098832	0-up	1098836	8.250	3.500	I	2456835	304.55
	Tilt RH	4Z6356	0-up	1098836	8.250	3.500	I	1935433	202.34
D10	Dozer	1U2711	3-up	1U1783	10.500	4.000	I	2460649	405.04
	Dozer	3G5761	1-up	3G5760	10.500	4.000	I	2460649	405.04
	Dozer	4T3210	1-7	4T3213	10.500	4.000	I	2460649	405.04
	Dozer	4T3211	1-6	4T3212	10.500	4.000	I	2460649	405.04
	Dozer	9J2958	0-8		7.000	4.000	I	2460653	194.10
	Dozer	9J2958	9		7.000	4.000	I	2460655	262.48
	Dozer	9J2958	10-up		7.000	4.000	I	2460657	336.07
	Dozer	9J2959	0-8		7.000	4.000	I	2460653	194.10
	Dozer	9J2959	9		7.000	4.000	I	2460655	262.48
	Dozer	9J2959	10-up		7.000	4.000	I	2460657	336.07
	Dozer LH	4T3211	6-up	4T3212	10.500	4.000	I	2460649	405.04
	Dozer LH	9J2959	0-8	9J0513	7.000	4.000	I	2460653	194.10
	Dozer LH	9J2959	9	9J0513	7.000	4.000	I	2460655	262.48
	Dozer LH	9J2959	10-up	9J0513	7.000	4.000	I	2460657	336.07
	Dozer RH	4T3210	7-up	4T3213	10.500	4.000	I	2460649	405.04
	Dozer RH	9J2958	0-8	9J0513	7.000	4.000	I	2460653	194.10

All manufacturer's names, part numbers and descriptions are used for reference purposes only. We do not imply that any part shown is the product of these manufacturers.

Tel.: (403) 279-1871  
Fax: (403) 279-1821

**KITS 205**

[www.sealsonline.com](http://www.sealsonline.com)

INDUSTRIAL  
SEAL KITS

MOBILE  
SEAL KITS



CATERPILLAR

## CATERPILLAR

## TRACK-TYPE TRACTOR

Model	Application	Cylinder Group	Engineering Design Change Level	Cylinder Assembly Part No.	Bore	Rod	I	Ref. Number RCAT-	\$
							M		
D10N	Dozer RH	9J2958	9	9J0513	7.000	4.000	I	2460655	262.48
	Dozer RH	9J2958	10-up	9J0513	7.000	4.000	I	2460657	336.07
	Pin Puller	1U3373	0-up	1U3374	4.000	1.500	I	2465910	88.38
	Pin Puller	8J2071	0-up	8J2072	4.000	1.500	I	2465910	88.38
	Ripper	3G2220	0-up	3G2219	8.250	3.250	I	2450599	246.92
	Ripper	3G2221	9-12	9J1739	10.500	3.500	I	2460637	369.45
	Ripper	3G2222	9-up	9J1739	10.500	3.500	I	2460637	369.45
	Ripper RH	3G2221	12-up	9J1739	10.500	3.500	I	2460637	369.45
	Dozer	9T4279	0-up	9T4432	9.250	4.000	I	2460648	339.07
	Dozer	9T4280	0-up	9T4433	9.250	4.000	I	2460648	339.07
	Dozer	9T7341	0-up	9T7340	9.250	4.000	I	2460648	339.07
	Dozer	9T9204	0-up	9T9200	9.250	4.000	I	2460648	339.07
	Lift	9T2869	0-8	9T2868	6.250	3.500	I	2293635	239.39
	Lift	9T2869	11-up	9T2868	6.250	3.500	I	2293636	295.51
D10R	Pin Puller	6E3113	0-up	6E3976	4.000	1.750	I	2404819	109.77
	Pin Puller	9T2066	0-up	9T2755	4.000	1.500	I	2465910	88.38
	Ripper	4T9977	3-up	9T0085	8.250	3.250	I	2450584	267.73
	Ripper LH	4T5111	0	4T5114	9.250	3.250	I	2450588	258.48
	Ripper LH	4T5111	1-3	4T5114	9.250	3.250	I	2450589	265.32
	Ripper LH	4T5111	4-up	4T5114	9.250	3.250	I	2450590	280.99
	Ripper RH	4T5112	0	4T5114	9.250	3.250	I	2450588	258.48
	Ripper RH	4T5112	1-4	4T5114	9.250	3.250	I	2450589	265.32
	Ripper RH	4T5112	5-up	4T5114	9.250	3.250	I	2450590	280.99
	Tilt	9T9202	0-up	9T9199	9.250	4.000	I	2460648	339.07
	Tilt	9T9203	0-1	9T9201	9.250	4.000	I	2460648	339.07
	Tilt LH	9J0673	0-up	9J0669	6.000	2.750	I	2440961	173.19
	Tilt RH	9T9203	1-up	9T9201	9.250	4.000	I	2460648	339.07
	Dozer	9T4279	0-up	9T4432	9.250	4.000	I	2460648	339.07
Dozer	9T9204	0-up	9T9200	9.250	4.000	I	2460648	339.07	
D11N	Lift	9T2869	0-8	9T2868	6.250	3.500	I	2293635	239.39
	Lift	9T2869	11-up	9T2868	6.250	3.500	I	2293636	295.51
	Pin Puller	6E3113	0-up	6E3976	4.000	1.750	I	2404819	109.77
	Ripper	4T9977	3-up	9T0085	8.250	3.250	I	2450584	267.73
	Ripper LH	4T5111	0	4T5114	9.250	3.250	I	2450588	258.48
	Ripper LH	4T5111	1-3	4T5114	9.250	3.250	I	2450589	265.32
	Ripper LH	4T5111	4-up	4T5114	9.250	3.250	I	2450590	280.99
	Ripper RH	4T5112	0	4T5114	9.250	3.250	I	2450588	258.48
	Ripper RH	4T5112	1-4	4T5114	9.250	3.250	I	2450589	265.32
	Ripper RH	4T5112	5-up	4T5114	9.250	3.250	I	2450590	280.99
	Tilt	9T9202	0-up	9T9199	9.250	4.000	I	2460648	339.07
	Tilt	9T9203	0-up	9T9201	9.250	4.000	I	2460648	339.07
	Dozer	1U2711	3-up	1U1783	10.500	4.000	I	2460649	405.04
	Dozer	4T2727	0-3	9J0513	7.000	4.000	I	2460653	194.10
Dozer	4T2727	4-7	9J0513	7.000	4.000	I	2460655	262.48	
Dozer	4T2727	8	9J0513	7.000	4.000	I	2460657	336.07	

All manufacturer's names, part numbers and descriptions are used for reference purposes only. We do not imply that any part shown is the product of these manufacturers.

INDUSTRIAL SEAL KITS

MOBILE SEAL KITS



CATERPILLAR

## TRACK-TYPE TRACTOR

## CATERPILLAR

Model	Application	Cylinder Group	Engineering Design Change Level	Cylinder Assembly Part No.	Bore	Rod	I	Ref. Number RCAT-	\$
							M		
	Dozer	4T2727	9-up	9J0513	7.000	4.000	I	2295507	353.28
	Dozer	4T2728	0-3	9J0513	7.000	4.000	I	2460653	194.10
	Dozer	4T2728	4-7	9J0513	7.000	4.000	I	2460655	262.48
	Dozer	4T2728	8	9J0513	7.000	4.000	I	2460657	336.07
	Dozer	4T2728	9-up	9J0513	7.000	4.000	I	2295507	233.57
	Dozer LH	4T2727	0-3	9J0513	7.000	4.000	I	2460653	194.10
	Dozer LH	4T2727	4-7	9J0513	7.000	4.000	I	2460655	262.48
	Dozer LH	4T2727	8	9J0513	7.000	4.000	I	2460657	336.07
	Dozer LH	4T2727	9-up	9J0513	7.000	4.000	I	2295507	233.57
	Dozer RH	4T2728	0-3	9J0513	7.000	4.000	I	2460653	194.10
	Dozer RH	4T2728	4-7	9J0513	7.000	4.000	I	2460655	262.48
	Dozer RH	4T2728	8	9J0513	7.000	4.000	I	2460657	336.07
	Dozer RH	4T2728	9-up	9J0513	7.000	4.000	I	2295507	233.57
	Pin Puller	6E3113	0-up	6E3976	4.000	1.750	I	2404819	109.77
	Pin Puller	9T2066	0-up	9T2755	4.000	1.500	I	2465910	88.38
	Ripper	3G2221	9-12	9J1739	10.500	3.500	I	2460637	369.45
	Ripper	3G2222	9-12	9J1739	10.500	3.500	I	2460637	369.45
	Ripper	4T7985	0-up	4T8055	8.250	3.250	I	2450584	267.73
	Ripper	9T5823	0-4	9T6103	10.000	3.500	I	2460635	403.50
	Ripper	9T5824	0-4	9T6103	10.000	3.500	I	2460635	403.50
	Ripper	9T5888	3-up	9T5887	7.750	3.250	I	2450594	267.07
	Ripper LH	1018580	0-up	1019231	7.750	3.750	I	2459840	274.37
	Ripper LH	1018614	0-up	1020520	10.000	3.500	I	2460635	403.50
	Ripper LH	3G2337	12-up	9J1739	10.500	3.500	I	2460637	369.45
	Ripper LH	9T5824	4-up	9T6103	10.000	3.500	I	2460635	403.50
	Ripper RH	1018579	0-up	1019230	7.750	3.750	I	2459840	274.37
	Ripper RH	1018581	0-up	1020519	10.000	3.500	I	2460635	403.50
	Ripper RH	3G2221	112-up	9J1739	10.500	3.500	I	2460637	369.45
	Ripper RH	9T5823	4-up	9T6103	10.000	3.500	I	2460635	403.50
	Tilt	9T3715	1-up	9T3717	10.500	4.000	I	2460649	405.04
	Tilt	9T3716	1-up	9T3718	10.500	4.000	I	2460649	405.04
<b>D11R</b>	Dozer	1U2711	3-up	1U1783	10.500	4.000	I	2460649	405.04
	Dozer	4T2728	0-3	9J0513	7.000	4.000	I	2460653	194.10
	Dozer	4T2728	4-7	9J0513	7.000	4.000	I	2460655	262.48
	Dozer	4T2728	8	9J0513	7.000	4.000	I	2460657	336.07
	Dozer	4T2728	9-up	9J0513	7.000	4.000	I	2295507	233.57
	Dozer	4T2727	0-3	9J0513	7.000	4.000	I	2460653	194.10
	Dozer	4T2727	4-7	9J0513	7.000	4.000	I	2460655	262.48
	Dozer	4T2727	8	9J0513	7.000	4.000	I	2460657	336.07
	Dozer	4T2727	9-up	9J0513	7.000	4.000	I	2295507	233.57
	Dozer	4T2728	0-3	9J0513	7.000	4.000	I	2460653	194.10
	Dozer	4T2728	4-7	9J0513	7.000	4.000	I	2460655	262.48
	Dozer	4T2728	8	9J0513	7.000	4.000	I	2460657	336.07
	Dozer	4T2728	9-up	9J0513	7.000	4.000	I	2295507	233.57
	Dozer LH	1265510	0-4	1265508	7.000	4.000	I	2295507	233.57
	Dozer LH	4T2727	0-3	9J0513	7.000	4.000	I	2460653	194.10
	Dozer LH	4T2727	4-7	9J0513	7.000	4.000	I	2460655	262.48

INDUSTRIAL  
SEAL KITS

MOBILE  
SEAL KITS



CATERPILLAR

All manufacturer's names, part numbers and descriptions are used for reference purposes only. We do not imply that any part shown is the product of these manufacturers.

Tel.: (604) 278-6808  
Fax: (604) 278-6180

**KITS 207**

[www.sealsonline.com](http://www.sealsonline.com)

## CATERPILLAR

## TRACTOR

Model	Application	Cylinder Group	Engineering Design Change Level	Cylinder Assembly Part No.	Bore	Rod	I	Ref. Number RCAT-	\$
							M		
	Dozer LH	4T2727	8	9J0513	7.000	4.000	I	2460657	336.07
	Dozer LH	4T2727	9-up	9J0513	7.000	4.000	I	2295507	233.57
	Dozer RH	1265510	5-up	1453651	7.000	4.000	I	2295507	233.57
	Dozer RH	1265511	0-4	1265508	7.000	4.000	I	2295507	233.57
	Dozer RH	4T2728	0-3	9J0513	7.000	4.000	I	2460653	194.10
	Dozer RH	4T2728	4-7	9J0513	7.000	4.000	I	2460655	262.48
	Dozer RH	4T2728	8	9J0513	7.000	4.000	I	2460657	336.07
	Dozer RH	4T2728	9-up	9J0513	7.000	4.000	I	2295507	233.57
	Pin Puller	6E3113	0-up	6E3976	4.000	1.750	I	2404819	109.77
	Pin Puller	9T2066	0-up	9T2755	4.000	1.500	I	2465910	88.38
	Ripper LH	1018580	0-up	1019231	7.750	3.750	I	2459840	274.37
	Ripper LH	1018614	0-up	1020520	10.000	3.500	I	2460635	403.50
	Ripper LH	1306381	0-up	1306382	7.750	3.750	I	2459840	274.37
	Ripper RH	1018579	0-up	1019230	7.750	3.750	I	2459840	274.37
Ripper RH	1018581	0-up	1020519	10.000	3.500	I	2460635	403.50	
Ripper RH	1303263	0-up	1303261	7.750	3.750	I	2459840	274.37	
Stabilizer	1265511	5-up	1453651	7.000	4.000	I	2295507	233.57	
Tilt	9T3715	1-up	9T3717	10.500	4.000	I	2460649	405.04	
Tilt	9T3716	1-up	9T3718	10.500	4.000	I	2460649	405.04	
772	Door	3G4640	2-up	3G4747	6.000	2.500	I	2422550	236.20
Door	9J8157	0-up	9J8158	6.000	2.500	I	2422558	276.49	
N/A	9J1254	0-up	-	-	-	I	8T4938	141.47	
N/A	9J1255	0-up	-	-	-	I	8T4938	141.47	
Steering RH	7J7686	0-up	7J7684	4.000	2.375	I	2418925	48.09	
772B	Suspension	8J2322	13-up	-	8.000	7.000	I	1137475	715.42
Suspension Front	7J3480	14-up	-	8.000	7.000	I	1137475	715.42	
Brake Release	9T7204	0-up	-	-	-	I	6E4057	130.15	
Braking	1131824	0-up	-	-	-	I	1345986	200.42	
Door	3G4640	2-up	3G4747	6.000	2.500	I	2422550	236.20	
Door	9J8157	0-up	9J8158	6.000	2.500	I	2422558	276.49	
N/A	1163092	0-up	-	8.000	7.000	I	1137478	929.91	
N/A	9J1255	0-up	-	-	-	I	8T4938	141.47	
Steering RH	7J7686	0-up	7J7684	4.000	2.375	I	2418925	48.09	
Suspension	1162837	0-up	9T6081	8.500	7.000	I	1417296	227.30	
Suspension Front	1U4777	8-up	1007415	8.000	7.000	I	1137478	929.91	
776	Suspension Rear	9T6082	0-up	9T6081	8.500	7.000	I	1417296	227.30
Door	3G4640	2-up	3G4747	6.000	2.500	I	2422550	236.20	
Steering	8J9912	1-up	8J9913	4.000	2.375	I	2418925	48.09	
Suspension Rear	8J8865	2-up	-	10.500	9.000	I	1137482	352.46	
784C	Brake Release	9T7204	0-up	-	-	I	6E4057	130.15	
Braking	1131824	0-up	-	-	-	I	1345986	200.42	
N/A	1U4651	1-11	1U3924	12.500	11.000	I	1565209	539.22	
N/A	6E6073	0-up	1U3924	12.500	11.000	I	1565209	539.22	
Steering	6E5857	0-up	6E6128	5.000	2.500	I	2430384	193.35	
Suspension	1072860	0-up	1072859	12.500	11.000	I	1565209	539.22	
Suspension	1161977	0-up	1072859	12.500	11.000	I	1565209	539.22	

All manufacturer's names, part numbers and descriptions are used for reference purposes only. We do not imply that any part shown is the product of these manufacturers.

INDUSTRIAL SEAL KITS

MOBILE SEAL KITS

CATERPILLAR

## VIBRATORY COMPACTOR

## CATERPILLAR

Model	Application	Cylinder Group	Engineering Design Change Level	Cylinder Assembly Part No.	Bore	Rod	I	Ref. Number RCAT-	\$
							M		
<b>CB214B</b>	Tilt	5E7080	0-up		2.750	-	I	0813458	143.32
<b>CB214C</b>	Tilt	1199024	0-up		2.500	-	I	1199023	110.54
	Tilt	1G4227	0-up		2.500	-	I	1G4340	94.51
<b>CB224C</b>	Tilt	1199024	0-up		2.500	-	I	1199023	110.54
	Tilt	1G4227	0-up		2.500	-	I	1G4340	94.51
<b>CB534</b>	Tilt	5E7116	0-up		2.750	-	I	0813458	143.32
<b>CS323C</b>	Tilt	0776574	0-up		2.500	1.250	I	0773179	91.51

## WHEEL DOZER



<b>236</b>	Ripper	1565512	0-up		-	-	I	1643213	22.91
<b>814</b>	Dozer	7J7028	1-up	7J1451	4.750	2.500	I	2285271	156.82
	Steering	7J9356	0-5	7J9354	4.000	2.000	I	2378277	138.07
	Tilt	7J7295	0-up	7J7292	5.000	2.000	I	2386718	89.61
<b>814B</b>	Dozer	1U2088	0-5	1U2087	4.750	2.500	I	2285271	156.82
	Dozer	1U2088	6-up	1U2087	4.750	2.500	I	2285272	184.11
	Steering	4T1574	0-2	4T1580	4.000	2.000	I	2406899	51.38
	Steering	4T1574	3-up	4T1580	4.000	2.000	I	2339205	57.79
	Steering	6E5024	0-up	6E5025	4.000	2.000	I	2409538	71.05
	Tilt	1U2137	0-up	1U2138	4.500	2.000	I	7X2805	129.21
	Tip	1U4744	4-up	1U4743	4.000	2.000	I	2409941	134.45
<b>814F</b>	Dozer	1U2088	0-5	1U2087	4.750	2.500	I	2285271	156.82
	Dozer	1U2088	6-up	1U2087	4.750	2.500	I	2285272	184.11
	Steering	4T1574	0-2	4T1580	4.000	2.000	I	2406899	51.38
	Steering	4T1574	3-up	4T1580	4.000	2.000	I	2339205	57.79
<b>824</b>	Steering	6E5024	0-up	6E5025	4.000	2.000	I	2409538	71.05
	Tilt	1U2137	0-up	1U2138	4.500	2.000	I	7X2805	129.21
	Tip	1U4744	4-up	1U4743	4.000	2.000	I	2409941	134.45
	Blade RH	4J4497	0-8	4J4515	6.500	2.500	I	2422555	262.19
	Blade RH	4J4497	9-up	4J4515	6.500	2.500	I	2422541	220.61
	Blade Tip	4J5632	0-8	4J5631	6.500	2.500	I	2422555	262.19
Blade Tip	4J5632	9-up	4J5631	6.500	2.500	I	2422541	220.61	
Blade Tip LH	4J4498	0-7	4J4516	6.000	2.500	I	2422557	199.43	
Blade Tip LH	4J4498	8-up	4J4516	6.000	2.500	I	2422540	162.93	
Lift	3J9307	0-9	3J9708	6.500	2.500	I	2422554	110.56	
Lift	3J9307	10-up	3J9708	6.500	2.500	I	2435803	179.61	

All manufacturer's names, part numbers and descriptions are used for reference purposes only. We do not imply that any part shown is the product of these manufacturers.

Tel.: (418) 688-3202  
Fax: (418) 688-4272

**KITS 209**

[www.sealsonline.com](http://www.sealsonline.com)

INDUSTRIAL  
SEAL KITS

MOBILE  
SEAL KITS

1010  
B-11

CATERPILLAR

## CATERPILLAR

## WHEEL DOZER

Model	Application	Cylinder Group	Engineering Design Change Level	Cylinder Assembly Part No.	Bore	Rod	I	Ref. Number RCAT-	\$	
							M			
824B	Lift	4J6005	0-7	4J6239	6.500	2.500	I	2422554	110.56	
	Lift	4J6005	8-up	4J6239	6.500	2.500	I	2435803	179.61	
	Lift	4J7621	0-4	3J9708	6.500	2.500	I	2422554	110.56	
	Lift	4J7621	5-up	3J9708	6.500	2.500	I	2435803	179.61	
	Lift	4J9233	0-up	4J9655	4.500	2.000	I	2386882	98.97	
	Steering	7J9984	0-up	7J9982	5.000	2.250	I	2410895	164.05	
	Tilt	4J6006	0-7	4J6657	6.000	2.500	I	1864349	176.77	
	Blade	7K9401	0-up		5.000	2.250	I	2410895	164.05	
	Blade RH	4J4497	0-8	4J4515	6.500	2.500	I	2422555	262.19	
	Blade RH	4J4497	9-up	4J4515	6.500	2.500	I	2422541	220.61	
	Blade Tip	4J5632	0-8	4J5631	6.500	2.500	I	2422555	262.19	
	Blade Tip	4J5632	9-up	4J5631	6.500	2.500	I	2422541	220.61	
	Blade Tip LH	4J4498	0-7	4J4516	6.000	2.500	I	2422557	199.43	
	Blade Tip LH	4J4498	8-up	4J4516	6.000	2.500	I	2422540	162.93	
824C	Lift	3J9307	0-9	3J9708	6.500	2.500	I	2422554	110.56	
	Lift	3J9307	10-up	3J9708	6.500	2.500	I	2435803	179.61	
	Lift	4J6005	0-7	4J6239	6.500	2.500	I	2422554	110.56	
	Lift	4J6005	8-up	4J6239	6.500	2.500	I	2435803	179.61	
	Lift	4J7621	0-4	3J9708	6.500	2.500	I	2422554	110.56	
	Lift	4J7621	5-up	3J9708	6.500	2.500	I	2435803	179.61	
	Lift	4J9233	0-up	4J9655	4.500	2.000	I	2386882	98.97	
	Lift	6J1269	0-4	6J1268	6.500	2.500	I	2422554	110.56	
	Lift	6J1269	5-up	6J1268	6.500	2.500	I	2435803	179.61	
	Lift	6J1272	0-3	6J1271	6.500	2.500	I	2422554	110.56	
	Lift	6J1272	4-up	6J1271	6.500	2.500	I	2435803	179.61	
	Lift	6J1273	0-3	6J1271	6.500	2.500	I	2422554	110.56	
	Lift	6J1273	4-up	6J1271	6.500	2.500	I	2435803	179.61	
	Steering	6J7590	0-up	6J7868	5.000	2.250	I	2410895	164.05	
Steering	7J9718	0-up	7J9717	5.000	2.250	I	2410895	164.05		
824G	Steering	7J9984	0-up	7J9982	5.000	2.250	I	2410895	164.05	
	Tilt	4J6006	0-7	4J6657	6.000	2.500	I	1864349	176.77	
	Blade RH	4J4497	0-8	4J4515	6.500	2.500	I	2422555	262.19	
	Blade RH	4J4497	9-up	4J4515	6.500	2.500	I	2422541	220.61	
	Blade Tip LH	4J4498	0-7	4J4516	6.000	2.500	I	2422557	199.43	
	Blade Tip LH	4J4498	8-up	4J4516	6.000	2.500	I	2422540	162.93	
	Lift	9J7111	3-4	3G2898	5.500	2.500	I	2430381	94.36	
	Lift	9J7111	5-up	3G2898	5.500	2.500	I	2422539	164.15	
	Steering	9J7086	3-7	9J7088	5.000	2.250	I	2410895	164.05	
	Steering	9J7086	8-up	9J7088	5.000	2.250	I	2417578	161.68	
	Steering	9J7087	3-7	9J7088	5.000	2.250	I	2410895	164.05	
	Steering	9J7087	8-up	9J7088	5.000	2.250	I	2417578	161.68	
	824G	Dozer	1164842	1-up	1164839	4.750	3.000	I	2275349	174.19
		Steering	1175151	0-up	1174566	4.500	2.500	I	2310898	180.71
Tilt LH		1169848	0-up	1170117	5.250	2.500	I	2435802	176.70	
Tilt RH		1169847	0-up	1170118	5.250	2.500	I	2435802	176.70	

All manufacturer's names, part numbers and descriptions are used for reference purposes only. We do not imply that any part shown is the product of these manufacturers.

INDUSTRIAL SEAL KITS

MOBILE SEAL KITS

CATERPILLAR

## WHEEL DOZER

## CATERPILLAR

Model	Application	Cylinder Group	Engineering Design Change Level	Cylinder Assembly Part No.	Bore	Rod	I	Ref. Number RCAT-	\$
							M		
<b>830M</b>	Steering	7J9984	0-up	7J9982	5.000	2.250	I	2410895	164.05
<b>834</b>	Blade RH	4J4497	0-8	4J4515	6.500	2.500	I	2422555	262.19
	Blade RH	4J4497	9-up	4J4515	6.500	2.500	I	2422541	220.61
	Blade Tip	4J5632	0-8	4J5631	6.500	2.500	I	2422555	262.19
	Blade Tip	4J5632	9-up	4J5631	6.500	2.500	I	2422541	220.61
	Blade Tip LH	4J4498	0-7	4J4516	6.000	2.500	I	2422557	199.43
	Blade Tip LH	4J4498	8-up	4J4516	6.000	2.500	I	2422540	162.93
	Lift	4J6005	0-7	4J6239	6.500	2.500	I	2422554	110.56
	Lift	4J6005	8-up	4J6239	6.500	2.500	I	2435803	179.61
	Lift	4J7621	0-4	3J9708	6.500	2.500	I	2422554	110.56
	Lift	4J7621	5-up	3J9708	6.500	2.500	I	2435803	179.61
<b>834B</b>	Lift	4J9233	0-up	4J9655	4.500	2.000	I	2386882	98.97
	Lift	6J1269	0-4	6J1268	6.500	2.500	I	2422554	110.56
	Lift	6J1269	5-up	6J1268	6.500	2.500	I	2435803	179.61
	Lift	6J1272	0-3	6J1271	6.500	2.500	I	2422554	110.56
	Lift	6J1272	4-up	6J1271	6.500	2.500	I	2435803	179.61
	Steering	7J9984	0-up	7J9982	5.000	2.250	I	2410895	164.05
	Tilt	4J6006	0-7	4J6657	6.000	2.500	I	2422557	199.43
	Blade RH	4J4497	0-8	4J4515	6.500	2.500	I	2422555	262.19
	Blade RH	4J4497	9-up	4J4515	6.500	2.500	I	2422541	220.61
	Blade Tip LH	4J4498	0-7	4J4516	6.000	2.500	I	2422557	199.43
Blade Tip LH	4J4498	8-up	4J4516	6.000	2.500	I	2422540	162.93	
<b>844</b>	Lift	6J1272	0-3	6J1271	6.500	2.500	I	2422554	110.56
	Lift	6J1272	4-up	6J1271	6.500	2.500	I	2435803	179.61
	Steering	9J8165	0-3	8J8166	5.000	2.250	I	2410895	164.05
	Steering	9J8165	4-up	8J8166	5.000	2.250	I	2417578	161.68
<b>854G</b>	N/A	4Z6424	0-up	368194	5.250	3.000	I	2442065	206.97
	Steering LH	6E1244	0-up	6E1245	5.500	3.250	I	2297188	250.58
	Steering RH	9T9568	0-up	6E1245	5.500	3.250	I	2297188	250.58
	Tilt	6E4835	0-4	6E4858	8.250	3.500	I	2456837	257.86
	Tilt	6E4835	5-up	6E4858	8.250	3.500	I	2456835	304.55
	Tilt	6E4836	0-4	6E4857	8.250	3.500	I	2456837	257.86
<b>854G</b>	Tilt	6E4836	5-up	6E4857	8.250	3.500	I	2456835	304.55
	Dozer	1539938	0-up	9J0513	7.000	4.000	I	2295507	233.57
	Dozer	1539939	0-up	9J0513	7.000	4.000	I	2295507	233.57
	Steering	1128208	0-up	1134388	5.500	3.250	I	2297191	266.15
	Steering	1571352	0-up	1134388	5.500	3.250	I	2297191	266.15
	Tilt	9T3715	1-up	9T3717	10.500	4.000	I	2460649	405.04
	Tilt	9T3716	1-up	9T3718	10.500	4.000	I	2460649	405.04

All manufacturer's names, part numbers and descriptions are used for reference purposes only. We do not imply that any part shown is the product of these manufacturers.

Tel.: (514) 334-2220  
Fax: (514) 333-8329

**KITS 211**

[www.sealsonline.com](http://www.sealsonline.com)

INDUSTRIAL  
SEAL KITS

MOBILE  
SEAL KITS

100%  
A-1  
QUALITY

CATERPILLAR



## CATERPILLAR

## WHEEL LOADER

Model	Application	Cylinder Group	Engineering Design Change Level	Cylinder Assembly Part No.	Bore	Rod	I	Ref. Number RCAT-	\$
							M		
<b>902</b>	N/A	9T4006	0-up		3.000	1.500	I	2350354	104.24
<b>906</b>	Steering RH	1250373	0-up	1250375	2.750	1.500	I	2339204	60.29
<b>910</b>	Bucket	8J5391	0-up	8J5390	3.500	1.500	I	2465914	96.40
	Lift	7J5893	0-8	8J4424	4.000	2.000	I	2406899	51.38
	Lift	7J5893	9-up	8J4424	4.000	2.000	I	2339205	57.79
	Lift	7J5894	0-8	7J5891	4.000	2.000	I	2406899	51.38
	Lift	7J5894	9-up	7J5891	4.000	2.000	I	2339205	57.79
	Steering	1U4666	0-3	1U4665	2.750	1.500	I	2465912	52.03
	Steering	1U4666	4-up	1U4665	2.750	1.500	I	2465909	70.03
	Steering	8J0070	8-up	1U4665	2.750	1.500	I	2465912	52.03
	<b>910E</b>	Tilt	1U3164	0-up		3.250	1.750	I	2401671
Tilt		1U3165	0-3		3.250	1.750	I	2401671	64.52
Tilt		1U3165	4-up	1U3166	3.250	1.750	I	1857030	129.86
Tilt		7J5885	0-up		3.000	1.750	I	2402016	95.33
<b>910E</b>	Bucket	8J5391	0-up	8J5390	3.500	1.500	I	2465914	96.40
	Lift	6E5895	0-up	6E5896	3.500	2.250	I	2350355	138.44
	Lift	6E5969	0-up	6E5967	4.000	2.250	I	2342591	62.17
	Lift	9T5745	0-up	9T5746	4.000	2.250	I	2342591	62.17
	Steering	9T7209	0-2	9T7211	2.750	1.500	I	2465909	70.03
	Steering	9T7209	3-up	9T7211	2.750	1.500	I	2339204	60.29
<b>910F</b>	Steering	9T7210	0-2	9T7212	2.750	1.500	I	2465909	70.03
	Steering	9T7210	3-up	9T7212	2.750	1.500	I	2339204	60.29
	Steering LH	6E5900	0-2	6E5902	2.750	1.750	I	2402482	79.96
	Steering LH	6E5900	3-up	6E5902	2.750	1.750	I	2342595	152.34
	Steering LH	6E5973	0-up	6E5902	2.750	1.500	I	2339204	60.29
	Steering RH	6E5972	0-1	6E5971	2.750	1.750	I	2402482	79.96
	Steering RH	6E5972	2-up	6E5971	2.750	1.750	I	2342595	152.34
	Steering RH	6E5985	0-up	6E5971	2.750	1.500	I	2339204	60.29
	Tilt	6E5918	0-up	6E5917	4.000	2.250	I	2342591	62.17
	Tilt	6E5966	0-1	6E5999	4.750	2.500	I	2430398	156.38
	Tilt	6E5966	2-up	6E5999	4.750	2.500	I	2341948	188.00
	Tilt	9T5778	0-up	9T5779	4.750	2.500	I	2430398	156.38
<b>910F</b>	Bucket	8J5391	0-up	8J5390	3.500	1.500	I	2465914	96.40
	Lift	6E5895	0-up	6E5896	3.500	2.250	I	2350355	138.44
	Lift	6E5969	0-up	6E5967	4.000	2.250	I	2342591	62.17
	Lift	9T5745	0-up	9T5746	4.000	2.250	I	2342591	62.17
	Steering	9T7209	0-2	9T7211	2.750	1.500	I	2465909	70.03
	Steering	9T7209	3-up	9T7211	2.750	1.500	I	2339204	60.29
	Steering	9T7210	0-2	9T7212	2.750	1.500	I	2465909	70.03
	Steering	9T7210	3-up	9T7212	2.750	1.500	I	2339204	60.29
	Steering LH	6E5900	0-2	6E5902	2.750	1.750	I	2402482	79.96
	Steering LH	6E5900	3-up	6E5902	2.750	1.750	I	2342595	152.34
	Steering LH	6E5973	0-up	6E5902	2.750	1.500	I	2339204	60.29
	Steering RH	6E5972	0-1	6E5971	2.750	1.750	I	2402482	79.96

All manufacturer's names, part numbers and descriptions are used for reference purposes only. We do not imply that any part shown is the product of these manufacturers.

INDUSTRIAL SEAL KITS

MOBILE SEAL KITS

FOR OROK

CATERPILLAR

## WHEEL LOADER

## CATERPILLAR

Model	Application	Cylinder Group	Engineering Design Change Level	Cylinder Assembly Part No.	Bore	Rod	I	Ref. Number RCAT-	\$
							M		
910G	Steering RH	6E5972	2-up	6E5971	2.750	1.750	I	2342595	152.34
	Steering RH	6E5985	0-up	6E5971	2.750	1.500	I	2339204	60.29
	Tilt	6E5918	0-up	6E5917	4.000	2.250	I	2342591	62.17
	Tilt	6E5966	0-1	6E5999	4.750	2.500	I	2430398	156.38
	Tilt	6E5966	2-up	6E5999	4.750	2.500	I	2341948	188.00
	Tilt	9T5778	0-up	9T5779	4.750	2.500	I	2430398	156.38
914G	Tilt	6E5918	0-up	6E5917	4.000	2.250	I	2342591	62.17
916	Lift	1091334	0-up	1091335	3.500	2.250	I	2350355	138.44
	Lift	1116244	0-up	1116246	3.500	2.250	I	2350355	138.44
	Lift RH	1314401	0-up	1314404	3.500	2.250	I	2350355	138.44
	Lift RH	1314402	0-up	1314405	3.500	2.250	I	2350355	138.44
918F	Steering	1044187	0-up	1089325	2.500	1.500	I	2342592	101.85
	Steering	9T8823	0-up		2.000	1.000	I	9T0418	81.94
	Tilt	6E5918	0-up	6E5917	4.000	2.250	I	2342591	62.17
	Bucket	3G7365	0-up		3.500	1.500	I	2465914	96.40
	Lift	4T8648	0-2	4T8649	4.250	2.250	I	2410898	115.59
	Lift	4T8648	3-up	9T4304	4.250	2.250	I	2417579	147.89
920	Steering	1U3322	3-up	1U3323	3.000	1.500	I	2465913	64.72
	Tilt	3G6571	0-2	3G6570	4.750	2.500	I	2285271	156.82
	Tilt	3G6571	3-up	3G6570	4.750	2.500	I	2285272	184.11
	Lift	1342327	0-up	1342328	4.000	2.250	I	2418921	152.31
	Lift	9T3937	4-up	9T3938	4.000	2.250	I	2418921	152.31
	Steering	9T2637	2-up	9T2638	2.750	1.500	I	2339204	60.29
916	Tilt	1107845	0-1	1107846	4.500	2.500	I	2435798	162.95
	Tilt	1107845	2-up	1107846	4.500	2.500	I	2310898	180.71
	Tilt	1342671	0-up	1342670	4.500	2.500	I	2310898	180.71
	Tilt	6E4651	0-3	6E4652	4.500	2.500	I	2435798	162.95
	Tilt	6E4651	4-up	6E4652	4.500	2.500	I	2310898	180.71
	Bucket	7J6789	0-up	7J6676	4.000	2.000	I	2406899	51.38
	Bucket	8J5663	0-up	8J5664	4.000	2.000	I	2406899	51.38
	Bucket	8J5670	0-2	8J5671	4.000	2.000	I	2378277	138.07
	Bucket LH	6J2806	0-up	6J3640	4.000	2.000	I	2406899	51.38
	Bucket RH	6J2805	0-up	6J3639	4.000	2.000	I	2406899	51.38
	Lift	3G5512	0-5	3G5510	4.250	2.250	I	2410898	115.59
	916	Lift	3G5512	6-up	3G5510	4.250	2.250	I	2417579
Lift LH		7J9852	0-up	7J9850	4.250	2.250	I	2410898	115.59
Lift RH		3G5511	0-5	3G5509	4.250	2.250	I	2410898	115.59
Lift RH		3G5511	6-up	3G5509	4.250	2.250	I	2417579	147.89
Lift RH		7J9851	0-up	7J9849	4.250	2.250	I	2410898	115.59
Steering		7J9838	0-7	7J9839	3.000	1.500	I	2465922	104.92
Steering		7J9838	8-up	7J9839	3.000	1.500	I	2465923	128.81
Tilt LH		3G5482	0-3	3G5480	4.000	2.000	I	2406899	51.38
Tilt LH		3G5482	4-up	3G5480	4.000	2.000	I	2339205	57.79
Tilt LH		7J3052	0-up	7J3050	4.000	2.000	I	2406899	51.38
Tilt LH		7J9676	0-up	7J9678	4.000	2.000	I	2406899	51.38
Tilt RH		3G5481	0-3	3G5479	4.000	2.000	I	2406899	51.38

All manufacturer's names, part numbers and descriptions are used for reference purposes only. We do not imply that any part shown is the product of these manufacturers.

Tel.: (905) 362-0889  
Fax: (888) 238-1664

**KITS 213**

[www.sealsonline.com](http://www.sealsonline.com)

INDUSTRIAL  
SEAL KITS

MOBILE  
SEAL KITS



CATERPILLAR

## CATERPILLAR

## WHEEL LOADER

Model	Application	Cylinder Group	Engineering Design Change Level	Cylinder Assembly Part No.	Bore	Rod	I	Ref. Number RCAT-	\$
							M		
924F	Tilt RH	3G5481	4-up	3G5479	4.000	2.000	I	2339205	57.79
	Tilt RH	7J3051	0-up	7J3049	4.000	2.000	I	2406899	51.38
	Tilt RH	7J9675	0-up	7J9677	4.000	2.000	I	2406899	51.38
	Lift	1342327	0-up	1342328	4.000	2.250	I	2418921	152.31
	Lift	9T3937	4-up	9T3938	4.000	2.250	I	2418921	152.31
	Steering	9T2637	2-up	9T2638	2.750	1.500	I	2339204	60.29
	Tilt	1107845	0-1	1107846	4.500	2.500	I	2435798	162.95
	Tilt	1107845	2-up	1107846	4.500	2.500	I	2310898	180.71
	Tilt	1342671	0-up	1342670	4.500	2.500	I	2310898	180.71
	Tilt	6E4651	0-3	6E4652	4.500	2.500	I	2435798	162.95
	Tilt	6E4651	4-up	6E4652	4.500	2.500	I	2310898	180.71
924G	Lift	1417483	0-up	1417486	4.000	2.500	I	2341949	153.01
	Lift	9T8823	0-up		2.000	1.000	I	9T0418	81.94
926	Bucket	4T9387	0	4T9386	4.000	2.000	I	2406899	51.38
	Bucket	4T9387	1-up	4T9386	4.000	2.000	I	2339205	57.79
	Lift	3G2991	4-6	9T4305	4.750	2.500	I	2285271	156.82
	Lift	3G2991	7-up	9T4305	4.750	2.500	I	2285272	184.11
	Steering	3G3501	0-7	3G3316	3.000	1.500	I	2465922	104.92
	Steering	3G3501	8-up	3G3316	3.000	1.500	I	2465913	64.72
	Tilt	3G2798	4-7	3G2787	5.500	2.500	I	2430383	109.32
	Tilt	3G2798	8-up	3G2787	5.500	2.500	I	2430395	208.64
926E	Bucket	4T9387	0	4T9386	4.000	2.000	I	2406899	51.38
	Bucket	4T9387	1-up	4T9386	4.000	2.000	I	2339205	57.79
	Lift	3G2991	4-6	9T4305	4.750	2.500	I	2285271	156.82
	Lift	3G2991	7-up	9T4305	4.750	2.500	I	2285272	184.11
	Steering	3G3501	0-7	3G3316	3.000	1.500	I	2465922	104.92
	Steering	3G3501	8-up	3G3316	3.000	1.500	I	2465913	64.72
	Tilt	3G2798	4-7	3G2787	5.500	2.500	I	2430383	109.32
	Tilt	3G2798	8-up	3G2787	5.500	2.500	I	2430395	208.64
928F	Lift	1341383	0-up	1341390	4.500	2.500	I	2310898	180.71
	Lift	6E1400	0-3	6E1401	4.500	2.500	I	2435798	162.95
	Lift	6E1400	4-up	6E1401	4.500	2.500	I	2310898	180.71
928G	Steering	9T6646	2-up	9T6674	2.750	1.500	I	2339204	60.29
	Tilt	1341382	0-up	1341389	4.750	2.500	I	2341948	188.00
	Tilt	9T6645	6-up	9T6730	4.750	2.500	I	2341948	188.00
	Lift	1191060	1-up	1191062	4.750	2.500	I	2341948	188.00
	Steering LH	1250374	0-up	1250376	2.750	1.500	I	2339204	60.29
	Steering RH	1250373	0-up	1250375	2.750	1.500	I	2339204	60.29
930	Tilt	1188105	1-up	1188106	5.000	2.500	I	2275347	90.43
	Bucket	7J6789	0-up	7J6676	4.000	2.000	I	2406899	51.38
	Bucket	8J5663	0-up	8J5664	4.000	2.000	I	2406899	51.38
	Bucket	8J5670	0-2	8J5671	4.000	2.000	I	2378277	138.07

All manufacturer's names, part numbers and descriptions are used for reference purposes only. We do not imply that any part shown is the product of these manufacturers.

INDUSTRIAL SEAL KITS

MOBILE SEAL KITS



CATERPILLAR

## WHEEL LOADER

## CATERPILLAR

Model	Application	Cylinder Group	Engineering Design Change Level	Cylinder Assembly Part No.	Bore	Rod	I	Ref. Number RCAT-	\$	
							M			
	Bucket LH	6J2806	0-up	6J3640	4.000	2.000	I	2406899	51.38	
	Bucket RH	6J2805	0-up	6J3639	4.000	2.000	I	2406899	51.38	
	Lift	3G5471	0-6	3G5470	4.500	2.250	I	2410897	108.72	
	Lift	3G5471	7-up	3G5470	4.500	2.250	I	2417584	151.74	
	Lift LH	7J9872	0-4	7J9868	4.500	2.250	I	2410896	72.91	
	Lift LH	7J9872	5-up	7J9868	5.000	2.250	I	2418919	152.51	
	Lift RH	7J9871	0-4	7J9867	4.500	2.250	I	2410896	72.91	
	Lift RH	7J9871	5-up	7J9867	5.000	2.250	I	2418919	152.51	
	Log Fork RH	8J5676	0-up	8J5678	5.000	2.000	I	2384487	171.73	
	Steering	7J9838	0-7	7J9839	3.000	1.500	I	2465922	104.92	
	Steering	7J9838	8-up	7J9839	3.000	1.500	I	2465923	128.81	
	Tilt LH	7J9730	0-3	7J9728	4.250	2.000	I	2384501	44.59	
	930R	Tilt LH	7J9730	4-up	7J9728	4.250	2.000	I	2409938	128.00
		Tilt RH	7J9729	0-3	7J9727	4.250	2.000	I	2384501	44.59
		Tilt RH	7J9729	4-up	7J9727	4.250	2.000	I	2409938	128.00
Lift LH		7J9872	0-4	7J9868	4.500	2.250	I	2410896	72.91	
Lift LH		7J9872	5-up	7J9868	5.000	2.250	I	2418919	152.51	
Lift RH		7J9871	0-4	7J9867	4.500	2.250	I	2410896	72.91	
Lift RH		7J9871	5-up	7J9867	5.000	2.250	I	2418919	152.51	
Steering		7J9838	0-7	7J9839	3.000	1.500	I	2465922	104.92	
Steering		7J9838	8-up	7J9839	3.000	1.500	I	2465923	128.81	
Tilt LH		7J9730	0-3	7J9728	4.250	2.000	I	2384501	44.59	
Tilt LH		7J9730	4-up	7J9728	4.250	2.000	I	2409938	128.00	
930T		Tilt RH	7J9729	0-3	7J9727	4.250	2.000	I	2384501	44.59
		Tilt RH	7J9729	4-up	7J9727	4.250	2.000	I	2409938	128.00
		Lift LH	7J9872	0-4	7J9868	4.500	2.250	I	2410896	72.91
		Lift LH	7J9872	5-up	7J9868	5.000	2.250	I	2418919	152.51
	Lift RH	7J9871	0-4	7J9867	4.500	2.250	I	2410896	72.91	
	Lift RH	7J9871	5-up	7J9867	5.000	2.250	I	2418919	152.51	
	Steering	7J9838	0-7	7J9839	3.000	1.500	I	2465922	104.92	
	Steering	7J9838	8-up	7J9839	3.000	1.500	I	2465923	128.81	
	Tilt LH	7J9730	0-3	7J9728	4.250	2.000	I	2384501	44.59	
	Tilt LH	7J9730	4-up	7J9728	4.250	2.000	I	2409938	128.00	
	Tilt RH	7J9729	0-3	7J9727	4.250	2.000	I	2384501	44.59	
	Tilt RH	7J9729	4-up	7J9727	4.250	2.000	I	2409938	128.00	
	936	Lift	4T1674	5-up	9T4306	5.500	2.500	I	2285273	80.26
		Lift	9T1196	2-up	9T4306	5.500	2.500	I	2285273	80.26
		Steering	3G5110	0-6	3G5109	3.500	1.750	I	2401661	76.50
Steering		3G5110	7-up	3G5109	3.500	1.750	I	2401881	56.93	
Tilt		3G5291	3-5	3G5290	6.500	2.750	I	2435816	216.72	
Tilt		3G5291	6-up	3G5290	6.500	2.750	I	2435812	121.99	
936E		Lift	4T1674	5-up	9T4306	5.500	2.500	I	2285273	80.26
		Lift	9T1196	2-up	9T4306	5.500	2.500	I	2285273	80.26
		Steering	3G5110	0-6	3G5109	3.500	1.750	I	2401661	76.50
	Steering	3G5110	7-up	3G5109	3.500	1.750	I	2401881	56.93	
	Tilt	3G5291	3-5	3G5290	6.500	2.750	I	2435816	216.72	
	Tilt	3G5291	6-up	3G5290	6.500	2.750	I	2435812	121.99	

All manufacturer's names, part numbers and descriptions are used for reference purposes only. We do not imply that any part shown is the product of these manufacturers.

Tel.: (204) 783-9617  
Fax: (204) 783-6091

**KITS 215**

[www.sealsonline.com](http://www.sealsonline.com)

INDUSTRIAL  
SEAL KITS

MOBILE  
SEAL KITS



CATERPILLAR

## CATERPILLAR

## WHEEL LOADER

Model	Application	Cylinder Group	Engineering Design Change Level	Cylinder Assembly Part No.	Bore	Rod	I	Ref. Number RCAT-	\$
							M		
<b>936F</b>	Lift	9T1196	2-up	9T4306	5.500	2.500	I	2285273	80.26
	Steering	3G5110	0-6	3G5109	3.500	1.750	I	2401661	76.50
	Steering	3G5110	7-up	3G5109	3.500	1.750	I	2401881	56.93
	Steering	6E2035	0-up	6E1089	3.500	1.750	I	2401881	56.93
	Tilt	3G5291	3-5	3G5290	6.500	2.750	I	2435816	216.72
	Tilt	3G5291	6-up	3G5290	6.500	2.750	I	2435812	121.99
<b>938F</b>	Lift	1287678	0-up	1287674	5.000	2.500	I	2275347	90.43
	Lift	9T7160	0-3	9T7410	4.750	2.500	I	2430398	156.38
	Lift	9T7160	4-up	9T7410	4.750	2.500	I	2341948	188.00
	Steering	1050094	0-up	1050097	3.000	1.750	I	2275350	29.94
	Tilt	1377655	0-up	9T7818	5.500	2.750	I	2280809	214.26
	Tilt	9T7161	0-up	9T7818	5.500	2.750	I	2280809	214.26
<b>938G</b>	Lift	1287678	0-up	1287674	5.000	2.500	I	2275347	90.43
	Steering	1052094	0-up	1050097	3.000	1.750	I	2275350	29.94
	Steering	1393312	0-up	1393313	3.000	1.750	I	2275350	29.94
	Tilt	1377855	0-up	9T7818	5.500	2.750	I	2280809	214.26
	Tilt	9T7161	0-up	9T7818	5.500	2.750	I	2280809	214.26
<b>944</b>	Log Fork RH	8J5676	0-up	8J5678	5.000	2.000	I	2384487	171.73
<b>950</b>	Grapple	8J2159	1-up	8J2158	3.000	1.750	I	2402016	95.33
	Lift	7J9690	0-2	7J9691	5.500	2.500	I	2430381	94.36
	Lift	7J9690	3-up	7J9691	5.500	2.500	I	2430381	94.36
	Log Fork RH	8J5676	0-up	8J5678	5.000	2.000	I	2384487	171.73
	Steering	7J9685	0-up	7J9686	3.500	1.500	I	2465915	121.94
	Tilt	7J9695	0-up	7J9921	5.500	2.500	I	2430381	94.36
	Tilt LH	7J9696	0-up	7J9922	5.500	2.500	I	2430381	94.36
	Tree Harvester Delimber	8J3829	0-up	8J3828	4.000	2.000	I	2406899	51.38
	Tree Harvester Delimber	9J2481	0-up	8J2158	3.000	1.750	I	2402016	95.33
<b>950B</b>	Lift	1U1147	0-2	3G8792	6.000	3.000	I	2442064	151.98
	Lift	1U1147	3-up	3G8792	6.000	3.000	I	2442062	242.29
	Lift	1U1148	0-2	3G8792	6.000	3.000	I	2442064	151.98
	Lift	1U1148	3-up	3G8792	6.000	3.000	I	2442062	242.29
	Lift	4T0263	0-1	4T0262	4.750	2.500	I	2285271	156.82
	Lift	4T0263	4-up	4T0262	4.750	2.500	I	2285272	184.11
	Lift LH	1U1147	0-2	3G8792	6.000	3.000	I	2442064	151.98
	Lift LH	1U1147	3-up	3G8792	6.000	3.000	I	2442062	242.29
	Lift RH	1U1148	0-2	3G8792	6.000	3.000	I	2442064	151.98
	Lift RH	1U1148	3-up	3G8792	6.000	3.000	I	2442062	242.29
	Steering	3G0892	5-9	3G0893	3.500	1.750	I	2401661	76.50
	Steering	3G0892	10-up	3G0893	3.500	1.750	I	2401881	56.93
	Steering	6E3889	0-up	6E3890	3.500	1.750	I	2401881	56.93
	Steering	6E4892	0-up	6E4893	3.500	1.750	I	2401881	56.93
	Tilt	3G8786	1-5	3G8785	7.000	3.250	I	2450585	142.90
	Tilt	3G8786	6-up	3G8785	7.000	3.250	I	2450586	264.85

All manufacturer's names, part numbers and descriptions are used for reference purposes only. We do not imply that any part shown is the product of these manufacturers.

INDUSTRIAL SEAL KITS

MOBILE SEAL KITS



CATERPILLAR

## WHEEL LOADER

## CATERPILLAR

Model	Application	Cylinder Group	Engineering Design Change Level	Cylinder Assembly Part No.	Bore	Rod	I	Ref. Number RCAT-	\$	
							M			
<b>950E</b>	Lift	1U1147	0-2	3G8792	6.000	3.000	I	2442064	151.98	
	Lift	1U1147	3-up	3G8792	6.000	3.000	I	2442062	242.29	
	Lift	1U1148	0-2	3G8792	6.000	3.000	I	2442064	151.98	
	Lift	1U1148	3-up	3G8792	6.000	3.000	I	2442062	242.29	
	Lift	4T0263	0-1	4T0262	4.750	2.500	I	2285271	156.82	
	Lift	4T0263	4-up	4T0262	4.750	2.500	I	2285272	184.11	
	Lift LH	1U1147	0-2	3G8792	6.000	3.000	I	2442064	151.98	
	Lift LH	1U1147	3-up	3G8792	6.000	3.000	I	2442062	242.29	
	Lift RH	1U1148	0-2	3G8792	6.000	3.000	I	2442064	151.98	
	Lift RH	1U1148	3-up	3G8792	6.000	3.000	I	2442062	242.29	
	Steering	3G0892	5-9	3G0893	3.500	1.750	I	2401661	76.50	
	Steering	3G0892	10-up	3G0893	3.500	1.750	I	2401881	56.93	
<b>950F</b>	Steering	6E3889	0-up	6E3890	3.500	1.750	I	2401881	56.93	
	Steering	6E4892	0-up	6E4893	3.500	1.750	I	2401881	56.93	
	Tilt	3G8786	1-5	3G8785	7.000	3.250	I	2450585	142.90	
	Tilt	3G8786	6-up	3G8785	7.000	3.250	I	2450586	264.85	
	Lift	1U1147	0-2	3G8792	6.000	3.000	I	2442064	151.98	
	Lift	1U1147	3-up	3G8792	6.000	3.000	I	2442062	242.29	
	Lift	1U1148	0-2	3G8792	6.000	3.000	I	2442064	151.98	
	Lift	1U1148	3-up	3G8792	6.000	3.000	I	2442062	242.29	
	Lift LH	1U1147	0-2	3G8792	6.000	3.000	I	2442064	151.98	
	Lift LH	1U1147	3-up	3G8792	6.000	3.000	I	2442062	242.29	
	Lift RH	1U1148	0-2	3G8792	6.000	3.000	I	2442064	151.98	
	Lift RH	1U1148	3-up	3G8792	6.000	3.000	I	2442062	242.29	
	Steering	3G0892	5-9	3G0893	3.500	1.750	I	2401661	76.50	
	Steering	3G0892	10-up	3G0893	3.500	1.750	I	2401881	56.93	
	Steering	6E3889	0-up	6E3890	3.500	1.750	I	2401881	56.93	
	Steering	6E4892	0-up	6E4893	3.500	1.750	I	2401881	56.93	
<b>950G</b>	Tilt	3G8786	1-5	3G8785	7.000	3.250	I	2450585	142.90	
	Tilt	3G8786	6-up	3G8785	7.000	3.250	I	2450586	264.85	
	Lift RH	1188296	0-up	1250028	6.000	3.000	I	2281793	139.57	
	Lift RH	1250024	0-up	1250028	6.000	3.000	I	2281793	139.57	
	Steering	1188288	0-up	1195955	3.500	1.750	I	2401881	56.93	
	Tilt	1189001	0-up	1189004	7.000	3.250	I	2281792	281.31	
	<b>960F</b>	Lift	1U1147	0-2	3G8792	6.000	3.000	I	2442064	151.98
	Lift	1U1147	3-up	3G8792	6.000	3.000	I	2442062	242.29	
	Lift	1U1148	0-2	3G8792	6.000	3.000	I	2442064	151.98	
	Lift	1U1148	3-up	3G8792	6.000	3.000	I	2442062	242.29	
	Lift LH	1U1147	0-2	3G8792	6.000	3.000	I	2442064	151.98	
	Lift LH	1U1147	3-up	3G8792	6.000	3.000	I	2442062	242.29	
	Lift RH	1U1148	0-2	3G8792	6.000	3.000	I	2442064	151.98	
	Lift RH	1U1148	3-up	3G8792	6.000	3.000	I	2442062	242.29	
	Steering	3G0892	5-9	3G0893	3.500	1.750	I	2401661	76.50	
	Steering	3G0892	10-up	3G0893	3.500	1.750	I	2401881	56.93	
	Steering	6E3889	0-up	6E3890	3.500	1.750	I	2401881	56.93	
	Steering	6E4892	0-up	6E4893	3.500	1.750	I	2401881	56.93	
	Tilt	3G8786	1-5	3G8785	7.000	3.250	I	2450585	142.90	

All manufacturer's names, part numbers and descriptions are used for reference purposes only. We do not imply that any part shown is the product of these manufacturers.

Tel.: (780) 414-1871  
Fax: (780) 487-5419

**KITS 217**

[www.sealsonline.com](http://www.sealsonline.com)

INDUSTRIAL  
SEAL KITS

MOBILE  
SEAL KITS



CATERPILLAR

## CATERPILLAR

## WHEEL LOADER

Model	Application	Cylinder Group	Engineering Design Change Level	Cylinder Assembly Part No.	Bore	Rod	I	Ref. Number RCAT-	\$
							M		
960G	Tilt	3G8786	6-up	3G8785	7.000	3.250	I	2450586	264.85
	Lift RH	1188296	0-up	1250028	6.000	3.000	I	2281793	139.57
	Lift RH	1250024	0-up	1250028	6.000	3.000	I	2281793	139.57
	Steering	1188288	0-up	1195955	3.500	1.750	I	2401881	56.93
	Tilt	1294447	0-up	1189004	7.000	3.250	I	2281779	297.38
962G	Lift RH	1188296	0-up	1250028	6.000	3.000	I	2281793	139.57
	Lift RH	1250024	0-up	1250028	6.000	3.000	I	2281793	139.57
	Steering	1188288	0-up	1195955	3.500	1.750	I	2401881	56.93
	Tilt	1294447	0-up	1189004	7.000	3.250	I	2281779	297.38
966A	Log Fork RH	8J5676	0-up	8J5678	5.000	2.000	I	2384487	171.73
966B	Tilt LH	6J6874	0-7	6J6890	6.000	2.500	I	2422558	276.49
	Tilt LH	6J6874	9-up	7J9362	6.000	2.500	I	2422550	236.20
	Tilt LH	7J9364	0-3	7J9362	6.000	2.500	I	2422558	276.49
	Tilt LH	7J9364	6-up	7J9362	6.000	2.500	I	2422550	236.20
	Tilt RH	6J6873	0-7	6J6889	6.000	2.500	I	2422558	276.49
	Tilt RH	6J6873	10-up	7J9361	6.000	2.500	I	2422550	236.20
	Lift	9J2434	0-2	9J2433	6.500	2.500	I	2435796	164.68
	Lift	9J2434	3-up	9J2433	6.500	2.500	I	2422549	216.43
	Log Fork	8J5755	0-up	8J5756	5.000	2.250	I	2410895	164.05
	Log Fork RH	8J5676	0-up	8J5678	5.000	2.000	I	2384487	171.73
	Steering	7J9356	0-5	7J9354	4.000	2.000	I	2378277	138.07
	Tilt LH	6J6874	0-7	6J6890	6.000	2.500	I	2422558	276.49
	966C	Tilt LH	6J6874	9-up	7J9362	6.000	2.500	I	2422550
Tilt LH		7J9364	0-3	7J9362	6.000	2.500	I	2422558	276.49
Tilt LH		7J9364	6-up	7J9362	6.000	2.500	I	2422550	236.20
Tilt RH		6J6873	0-7	6J6889	6.000	2.500	I	2422558	276.49
Tilt RH		6J6873	10-up	7J9361	6.000	2.500	I	2422550	236.20
Tilt RH		7J9363	0-3	7J9361	6.000	2.500	I	2422558	276.49
Tilt RH		7J9363	5-up	7J9361	6.000	2.500	I	2422550	236.20
966C	Lift	9J2434	0-2	9J2433	6.500	2.500	I	2435796	164.68
	Lift	9J2434	3-up	9J2433	6.500	2.500	I	2422549	216.43
	Log Fork	8J5755	0-up	8J5756	5.000	2.250	I	2410895	164.05
	Log Fork RH	8J5676	0-up	8J5678	5.000	2.000	I	2384487	171.73
	Steering	7J9355	4-5	7J9353	4.000	2.000	I	2378277	138.07
	Steering	7J9356	0-5	7J9354	4.000	2.000	I	2378277	138.07
	Tilt LH	6J6874	0-7	6J6890	6.000	2.500	I	2422558	276.49
	Tilt LH	6J6874	9-up	7J9362	6.000	2.500	I	2422550	236.20
	Tilt LH	7J9364	0-3	7J9362	6.000	2.500	I	2422558	276.49
	Tilt LH	7J9364	6-up	7J9362	6.000	2.500	I	2422550	236.20
	Tilt RH	6J6873	0-7	6J6889	6.000	2.500	I	2422558	276.49
	Tilt RH	6J6873	10-up	7J9361	6.000	2.500	I	2422550	236.20
	Tilt RH	7J9363	0-3	7J9361	6.000	2.500	I	2422558	276.49
	Tilt RH	7J9363	5-up	7J9361	6.000	2.500	I	2422550	236.20

All manufacturer's names, part numbers and descriptions are used for reference purposes only. We do not imply that any part shown is the product of these manufacturers.

INDUSTRIAL SEAL KITS

MOBILE SEAL KITS



CATERPILLAR

## WHEEL LOADER

## CATERPILLAR

Model	Application	Cylinder Group	Engineering Design Change Level	Cylinder Assembly Part No.	Bore	Rod	I	Ref. Number RCAT-	\$	
							M			
966D	Lift	3G5495	0-6	3G5502	7.000	3.250	I	2450581	257.78	
	Lift	3G5495	7-10	3G5502	7.000	3.250	I	2450582	292.61	
	Lift	3G5495	11-up	3G5502	7.000	3.250	I	2281779	297.38	
	Lift	3G5496	0-5	3G5502	7.000	3.250	I	2450581	257.78	
	Lift RH	3G5496	6-9	3G5502	7.000	3.250	I	2450582	292.61	
	Lift RH	3G5496	10-up	3G5502	7.000	3.250	I	2281779	297.38	
	Steering	4T1574	0-2	4T1580	4.000	2.000	I	2406899	51.38	
	Steering	4T1574	3-up	4T1580	4.000	2.000	I	2339205	57.79	
	Steering	6E5024	0-up	6E5025	4.000	2.000	I	2409538	71.05	
	Steering	9J7061	5-up	9J7081	4.000	2.000	I	2406899	51.38	
	Tilt	3G5497	7-up	3G5264	8.250	3.250	I	2450605	238.17	
	Tilt	9T6267	0-up	9T6268	9.250	3.250	I	2450589	265.32	
	966E	Lift	3G5495	0-6	3G5502	7.000	3.250	I	2450581	257.78
		Lift	3G5495	7-10	3G5502	7.000	3.250	I	2450582	292.61
Lift		3G5495	11-up	3G5502	7.000	3.250	I	2281779	297.38	
Lift		3G5496	0-5	3G5502	7.000	3.250	I	2450581	257.78	
Lift RH		3G5496	6-9	3G5502	7.000	3.250	I	2450582	292.61	
Lift RH		3G5496	10-up	3G5502	7.000	3.250	I	2281779	297.38	
Steering		4T1574	0-2	4T1580	4.000	2.000	I	2406899	51.38	
Steering		4T1574	3-up	4T1580	4.000	2.000	I	2339205	57.79	
Steering		6E5024	0-up	6E5025	4.000	2.000	I	2409538	71.05	
Steering		9J7061	5-up	9J7081	4.000	2.000	I	2406899	51.38	
Tilt		3G5497	7-up	3G5264	8.250	3.250	I	2450605	238.17	
Tilt		9T6267	0-up	9T6268	9.250	3.250	I	2450589	265.32	
966F		Lift	3G5495	0-6	3G5502	7.000	3.250	I	2450581	257.78
		Lift	3G5495	7-10	3G5502	7.000	3.250	I	2450582	292.61
	Lift	3G5495	11-up	3G5502	7.000	3.250	I	2281779	297.38	
	Lift	3G5496	0-5	3G5502	7.000	3.250	I	2450581	257.78	
	Lift RH	3G5496	6-9	3G5502	7.000	3.250	I	2450582	292.61	
	Lift RH	3G5496	10-up	3G5502	7.000	3.250	I	2281779	297.38	
	Steering	4T1574	0-2	4T1580	4.000	2.000	I	2406899	51.38	
	Steering	4T1574	3-up	4T1580	4.000	2.000	I	2339205	57.79	
	Steering	6E5024	0-up	6E5025	4.000	2.000	I	2409538	71.05	
	Tilt	3G5497	7-up	3G5264	8.250	3.250	I	2450605	238.17	
	Tilt	9T6267	0-up	9T6268	9.250	3.250	I	2450589	265.32	
	966G	Lift LH	1332964	0-up	1334048	7.000	3.250	I	2281779	297.38
		Lift RH	1332963	0-up	1334048	7.000	3.250	I	2281779	297.38
		Steering	1331747	0-up	1354688	3.500	2.000	I	2281778	104.05
966R	Lift	9J2434	0-2	9J2433	6.500	2.500	I	2435796	164.68	
	Lift	9J2434	3-up	9J2433	6.500	2.500	I	2422549	216.43	
	Steering	7J9356	0-5	7J9354	4.000	2.000	I	2378277	138.07	
	Tilt LH	7J9364	0-3	7J9362	6.000	2.500	I	2422558	276.49	
	Tilt LH	7J9364	6-up	7J9362	6.000	2.500	I	2422550	236.20	
	Tilt RH	7J9363	0-3	7J9361	6.000	2.500	I	2422558	276.49	
	Tilt RH	7J9363	5-up	7J9361	6.000	2.500	I	2422550	236.20	

All manufacturer's names, part numbers and descriptions are used for reference purposes only. We do not imply that any part shown is the product of these manufacturers.

Tel.: (403) 279-1871  
Fax: (403) 279-1821

**KITS 219**

[www.sealsonline.com](http://www.sealsonline.com)

INDUSTRIAL  
SEAL KITS

MOBILE  
SEAL KITS



CATERPILLAR



## CATERPILLAR

## WHEEL LOADER

Model	Application	Cylinder Group	Engineering Design Change Level	Cylinder Assembly Part No.	Bore	Rod	I	Ref. Number RCAT-	\$
							M		
<b>970F</b>	Lift LH	6E5879	0-up	6E5880	7.000	3.250	I	2281779	297.38
	Lift RH	6E5878	0-up	6E5880	7.000	3.250	I	2281779	297.38
	Steering	4T1574	0-2	4T1580	4.000	2.000	I	2406899	51.38
	Steering	4T1574	3-up	4T1580	4.000	2.000	I	2339205	57.79
	Steering	6E5024	0-up	6E5025	4.000	2.000	I	2409538	71.05
	Tilt	3G5497	7-up	3G5264	8.250	3.250	I	2450605	238.17
	Tilt	6E5873	0-up	6E5876	8.250	3.250	I	2450593	277.87
<b>972G</b>	Lift LH	1332964	0-up	1334048	7.000	3.250	I	2281779	297.38
	Lift RH	1332963	0-up	1334048	7.000	3.250	I	2281779	297.38
	Steering	1331747	0-up	1354688	3.500	2.000	I	2281778	104.05
<b>980</b>	Lift	7J9818	0-3	7J9817	7.250	3.000	I	2442076	235.09
	Lift	7J9818	4-up	7J9817	7.250	3.000	I	2442056	217.54
	Log Fork	8J5767	0-up	8J5768	5.000	2.250	I	2410895	164.05
	Steering LH	7J9786	5-7	7J9783	4.500	2.250	I	2410896	72.91
	Steering LH	7J9786	8-up	7J9783	4.500	2.250	I	2418917	151.06
	Steering RH	7J9785	5-7	7J9783	4.500	2.250	I	2410896	72.91
	Steering RH	7J9785	8-up	7J9783	4.500	2.250	I	2418917	151.06
	Tilt LH	7J9742	0-3	7J9738	5.500	2.500	I	2430381	94.36
	Tilt LH	7J9742	4-up	7J9738	5.500	2.500	I	2430381	94.36
	Tilt RH	7J9741	0-2	7J9737	5.500	2.500	I	2430381	94.36
	Tilt RH	7J9741	3-up	7J9737	5.500	2.500	I	2430381	94.36
<b>980B</b>	Lift	7J9818	0-3	7J9817	7.250	3.000	I	2442076	235.09
	Lift	7J9818	4-up	7J9817	7.250	3.000	I	2442056	217.54
	Log Fork	8J5767	0-up	8J5768	5.000	2.250	I	2410895	164.05
	Steering LH	7J9786	5-7	7J9783	4.500	2.250	I	2410896	72.91
	Steering LH	7J9786	8-up	7J9783	4.500	2.250	I	2418917	151.06
	Steering RH	7J9785	5-7	7J9783	4.500	2.250	I	2410896	72.91
	Steering RH	7J9785	8-up	7J9783	4.500	2.250	I	2418917	151.06
	Tilt LH	7J9742	0-3	7J9738	5.500	2.500	I	2430381	94.36
	Tilt LH	7J9742	4-up	7J9738	5.500	2.500	I	2430381	94.36
	Tilt RH	7J9741	0-2	7J9737	5.500	2.500	I	2430381	94.36
	Tilt RH	7J9741	3-up	7J9737	5.500	2.500	I	2430381	94.36
<b>980C</b>	Lift	1U3527	0-6		7.500	3.500	I	2456831	338.97
	Lift	9J5559	3-9	9J5563	7.500	3.500	I	2456831	338.97
	Steering	6E6653	0-up	6E6654	4.500	2.250	I	2417585	146.17
	Steering	9J5869	2-3	9J5870	4.500	2.250	I	2410896	72.91
	Steering	9J5869	4-up	9J5870	4.500	2.250	I	2418917	151.06
	Steering	9J6536	2-3	9J5870	4.500	2.250	I	2410896	72.91
	Steering LH	9J6536	4-up	9J5870	4.500	2.250	I	2418917	151.06
	Steering RH	9J5869	2-3	9J5870	4.500	2.250	I	2410896	72.91
	Steering RH	9J5869	4-up	9J5870	4.500	2.250	I	2418917	151.06
	Tilt	3G5069	0-2	3G5102	7.000	2.750	I	2435815	238.43
	Tilt	3G5069	3-up	3G5102	7.000	2.750	I	2435818	283.22
	Tilt LH	3G1306	7-up	9J5546	6.250	2.750	I	2280808	146.62

All manufacturer's names, part numbers and descriptions are used for reference purposes only. We do not imply that any part shown is the product of these manufacturers.

INDUSTRIAL SEAL KITS

MOBILE SEAL KITS

FOR OROK

CATERPILLAR

## WHEEL LOADER

## CATERPILLAR

Model	Application	Cylinder Group	Engineering Design Change Level	Cylinder Assembly Part No.	Bore	Rod	I	Ref. Number RCAT-	\$
							M		
	Tilt LH	3G5070	0-1	3G5102	7.000	2.750	I	2435815	238.43
	Tilt LH	3G5070	2-up	3G5102	7.000	2.750	I	2435818	283.22
	Tilt LH	4T6791	0-up	9J5546	6.250	3.000	I	2442060	113.87
	Tilt LH	9T2419	0	9J5546	6.250	3.000	I	2442060	113.87
	Tilt LH	9T2419	1-up	9J5546	6.250	3.000	I	2280807	224.98
	Tilt RH	3G1305	7-up	6C8560	6.250	2.750	I	2280808	146.62
	Tilt RH	3G5069	0-2	3G5102	7.000	2.750	I	2435815	238.43
	Tilt RH	3G5069	3-up	3G5102	7.000	2.750	I	2435818	283.22
	Tilt RH	4T7949	0-up	9J5546	6.250	3.000	I	2442060	113.87
	Tilt RH	9T2418	0	6C8560	6.250	3.000	I	2442060	113.87
	Tilt RH	9T2418	1-up	6C8560	6.250	3.000	I	2280807	224.98
980F	Lift	1U3527	0-6		7.500	3.500	I	2456831	338.97
	Steering	6E6653	0-up	6E6654	4.500	2.250	I	2417585	146.17
	Steering	9J5869	2-3	9J5870	4.500	2.250	I	2410896	72.91
	Steering	9J5869	4-up	9J5870	4.500	2.250	I	2418917	151.06
	Steering	9J6536	2-3	9J5870	4.500	2.250	I	2410896	72.91
	Steering LH	9J6536	4-up	9J5870	4.500	2.250	I	2418917	151.06
	Steering RH	9J5869	2-3	9J5870	4.500	2.250	I	2410896	72.91
	Steering RH	9J5869	4-up	9J5870	4.500	2.250	I	2418917	151.06
	Tilt	3G5069	0-2	3G5102	7.000	2.750	I	2435815	238.43
	Tilt	3G5069	3-up	3G5102	7.000	2.750	I	2435818	283.22
	Tilt LH	3G5070	0-1	3G5102	7.000	2.750	I	2435815	238.43
	Tilt LH	3G5070	2-up	3G5102	7.000	2.750	I	2435818	283.22
		Tilt LH	4T6791	0-up	9J5546	6.250	3.000	I	2442060
	Tilt LH	9T2419	0	9J5546	6.250	3.000	I	2442060	113.87
	Tilt LH	9T2419	1-up	9J5546	6.250	3.000	I	2280807	224.98
	Tilt RH	3G5069	0-2	3G5102	7.000	2.750	I	2435815	238.43
	Tilt RH	3G5069	3-up	3G5102	7.000	2.750	I	2435818	283.22
	Tilt RH	3G5102	0-2	3G5102	7.000	2.750	I	2435815	238.43
	Tilt RH	4T7949	0-up	9J5546	6.250	3.000	I	2442060	113.87
	Tilt RH	9T2418	0	6C8560	6.250	3.000	I	2442060	113.87
	Tilt RH	9T2418	1-up	6C8560	6.250	3.000	I	2280807	224.98
980G	Lift	1118181	0-up	1118182	7.750	3.500	I	2281775	153.73
	Tilt	1125003	0-1	1125005	6.250	2.750	I	2280808	146.62
	Tilt	1463032	0-up	1463033	7.000	3.000	I	2280806	234.38
	Tilt LH	1240617	0-up	1240614	7.000	3.000	I	2280806	234.38
	Tilt RH	1240616	0-up	1240613	7.000	3.000	I	2280806	234.38
	Tilt RH	1246228	0-up	1239755	6.250	3.000	I	2280807	224.98
988	Lift	4J7377	0-up	4J7039	8.250	3.250	I	2450584	267.73
	Lift	7J1419	0-up	7J1418	7.250	3.250	I	1354446	219.44
	Lift	7J9744	0-up	7J9743	8.250	3.250	I	2450580	204.39
	Lift	7J9809	0-up	7J9801	7.250	3.250	I	1354446	219.44
	Lift	9J4893	0-up	7J9743	8.250	3.250	I	2450580	204.39
	N/A	7K9401	0-up		5.000	2.250	I	2410895	164.05
	Steering	6J7590	0-up	6J7868	5.000	2.250	I	2410895	164.05

All manufacturer's names, part numbers and descriptions are used for reference purposes only. We do not imply that any part shown is the product of these manufacturers.

Tel.: (604) 278-6808  
Fax: (604) 278-6180

**KITS 221**

[www.sealsonline.com](http://www.sealsonline.com)

INDUSTRIAL  
SEAL KITS

MOBILE  
SEAL KITS



CATERPILLAR

## CATERPILLAR

## WHEEL LOADER

Model	Application	Cylinder Group	Engineering Design Change Level	Cylinder Assembly Part No.	Bore	Rod	I	Ref. Number RCAT-	\$
							M		
988B	Steering	7J9718	0-up	7J9717	5.000	2.250	I	2410895	164.05
	Steering	7J9984	0-up	7J9982	5.000	2.250	I	2410895	164.05
	Tilt	4J5743	6-9	4J5741	6.500	2.500	I	2430382	80.39
	Tilt LH	4J5744	6-up	4J5742	6.500	2.500	I	2430382	80.39
	Tilt LH	7J9762	0-up	7J9760	6.500	2.750	I	2355802	162.70
	Tilt RH	4J5743	9-up	4J5741	6.500	2.500	I	2430382	80.39
	Tilt RH	7J9761	0-up	7J9759	6.500	2.750	I	2355802	162.70
	Lift	4T7585	0-up	4T7587	8.500	4.000	I	2460659	218.46
	Lift	8J5779	0-up	9J3915	8.500	4.000	I	2463427	306.09
	Lift	9T8257	0-up	9T8258	8.500	4.000	I	2460659	218.46
	Steering	5R4547	0-2	9J8166	5.000	2.250	I	2410895	164.05
	Steering	5R4547	3-up	9J8166	5.000	2.250	I	2417578	161.68
988F	Steering	9J8165	0-3	8J8166	5.000	2.250	I	2410895	164.05
	Steering	9J8165	4-up	8J8166	5.000	2.250	I	2417578	161.68
	Tilt	1003855	0-up		3.000	-	I	1011584	72.00
	Tilt	3G2976	3-up	3G2975	8.500	3.500	I	2456832	347.14
	Tilt	4T6792	2-up	9J3634	7.750	3.500	I	2281775	153.73
	Tilt	9J3632	4-up	9J3634	7.750	3.250	I	2450594	267.07
	Lift	9T8257	0-up	9T8258	8.500	4.000	I	2460659	218.46
	Steering	9J8165	0-3	8J8166	5.000	2.250	I	2410895	164.05
	Steering	9J8165	4-up	8J8166	5.000	2.250	I	2417578	161.68
	Tilt	3G2976	0-2	3G2975	8.500	3.500	I	2456832	347.14
	Tilt	4T6792	2-up	9J3634	7.750	3.500	I	2281775	153.73
	Tilt	9J3632	4-up	9J3634	7.750	3.250	I	2450594	267.07
988G	Steering	1338173	0-4	1352571	4.000	2.500	I	2341949	153.01
	Steering	1353288	0-4	1353289	4.000	2.500	I	2341949	153.01
	Steering LH	1338173	4-up	1352571	4.000	2.500	I	2341949	153.01
	Steering RH	1353288	4-up	1353289	4.000	2.500	I	2341949	153.01
980F	Lift	1U3527	1-2	1U3526	7.500	3.500	I	2456831	338.97
	Tilt LH	3G1762	7-up	9J5546	6.250	2.750	I	2280808	146.62
	Tilt RH	3G1306	7-up	6C8560	6.250	2.750	I	2280808	146.62
980G	Steering	1151371	0-up	1153595	4.000	2.250	I	2418921	152.31
	Tilt LH	1125004	0-up	1125068	6.250	2.750	I	2280808	146.62
	Tilt LH	1246227	0-up	1125068	6.250	3.000	I	2280807	224.98
990	Tilt LH	1463035	0-up	1463036	7.000	3.000	I	2280806	234.38
	Tilt RH	1125003	1-up	1239755	6.250	2.750	I	2280808	146.62
	Lift	9T9569	0-up	6E1361	9.250	6.000	I	2297174	423.85
	Steering LH	6E1244	0-up	6E1245	5.500	3.250	I	2297188	250.58
	Steering RH	9T9568	0-up	6E1245	5.500	3.250	I	2297188	250.58
	Tilt	1459897	0-up	1459898	11.500	5.750	I	2297176	480.61
992	Tilt	9T9570	0-up	6E1163	11.500	5.750	I	2297176	480.61
	Lift	7J8969	0-up	7J8967	10.500	6.500	I	2481188	372.30
	Lift LH	7J8970	0-6	7J8968	10.500	6.500	I	2481188	372.30
	Lift LH	8J5978	0-4	7J8968	10.500	6.500	I	2481188	372.30

All manufacturer's names, part numbers and descriptions are used for reference purposes only. We do not imply that any part shown is the product of these manufacturers.

INDUSTRIAL SEAL KITS

MOBILE SEAL KITS

TOYO

CATERPILLAR

## WHEEL LOADER

## CATERPILLAR

Model	Application	Cylinder Group	Engineering Design Change Level	Cylinder Assembly Part No.	Bore	Rod	I	Ref. Number RCAT-	\$
							M		
	Lift LH	8J5978	5-up	7J8968	10.500	6.500	I	2481189	532.12
	Lift RH	8J5977	0-4	7J8967	10.500	6.500	I	2481188	372.30
	Lift RH	8J5977	5-up	7J8967	10.500	6.500	I	2481189	532.12
	Steering	8J6339	0-2	7J9798	5.500	2.500	I	2430381	94.36
	Steering	8J6339	3-up	7J9798	5.500	2.500	I	2422539	164.15
	Tilt LH	8J6338	4-up	7J9810	8.500	3.500	I	2456832	347.14
	Tilt RH	8J6337	4-up	7J9809	8.500	3.500	I	2456832	347.14
<b>992B</b>	Lift	7J8969	0-up	7J8967	10.500	6.500	I	2481188	372.30
	Lift	7J8970	0-6	7J8968	10.500	6.500	I	2481188	372.30
	Lift LH	8J5978	0-4	7J8968	10.500	6.500	I	2481188	372.30
	Lift LH	8J5978	5-up	7J8968	10.500	6.500	I	2481189	532.12
<b>992C</b>	Lift RH	8J5977	0-4	7J8967	10.500	6.500	I	2481188	372.30
	Lift RH	8J5977	5-up	7J8967	10.500	6.500	I	2481189	532.12
	Steering	8J6339	0-2	7J9798	5.500	2.500	I	2430381	94.36
	Steering	8J6339	3-up	7J9798	5.500	2.500	I	2422539	164.15
	Tilt LH	8J6338	4-up	7J9810	8.500	3.500	I	2456832	347.14
	Tilt RH	8J6337	4-up	7J9809	8.500	3.500	I	2456832	347.14
	Lift	1U1771	3-up	1U1772	11.500	7.000	I	2465907	418.84
	Lift	9J2994	9-up	3G4417	11.500	7.000	I	2465907	418.84
	Steering	9J5419	0-4	9J5420	7.000	3.250	I	2450581	257.78
	Steering	9J5419	5-7	9J5420	7.000	3.250	I	2450582	292.61
	Steering	9J5419	8-up	9J5420	7.000	3.250	I	2281779	297.38
	Tilt	1U1766	0-4	1U1765	10.000	4.000	I	2460645	277.42
		Tilt	1U1766	5-up	1U1765	10.000	4.000	I	2460644
Tilt		1U1767	0-4	1U1765	10.000	4.000	I	2460645	277.42
Tilt		1U1767	5-up	1U1765	10.000	4.000	I	2460644	404.88
Tilt		3G4598	11-17	9J3376	10.000	4.000	I	2460644	404.88
Tilt		3G4599	11-15	9J3376	10.000	4.000	I	2460644	404.88
Tilt LH		1U1767	0-4	1U1765	10.000	4.000	I	2460645	277.42
Tilt LH		1U1767	5-up	1U1765	10.000	4.000	I	2460644	404.88
	Tilt LH	3G4599	15-up	9J3376	10.000	4.000	I	2460644	404.88
	Tilt RH	1U1766	0-4	1U1765	10.000	4.000	I	2460645	277.42
	Tilt RH	1U1766	5-up	1U1765	10.000	4.000	I	2460644	404.88
	Tilt RH	1U1766	5-up	1U1765	10.000	4.000	I	2460644	404.88
	Tilt RH	3G4598	17-up	9J3376	10.000	4.000	I	2460644	404.88
<b>992D</b>	Lift	1028731	0-up	3G4417	11.500	7.000	I	2465907	418.84
	Lift	1U1839	3-5	1U1772	11.500	7.000	I	2465907	418.84
	Lift	1U1839	6-up	1U1772	11.500	7.000	I	2410900	76.69
	Lift	9J2994	9-up	3G4417	11.500	7.000	I	2465907	418.84
	Steering	9J5419	0-4	9J5420	7.000	3.250	I	2450581	257.78
	Steering	9J5419	5-7	9J5420	7.000	3.250	I	2450582	292.61
	Steering	9J5419	8-up	9J5420	7.000	3.250	I	2281779	297.38
	Tilt	1U1766	0-4	1U1765	10.000	4.000	I	2460645	277.42
	Tilt	1U1766	5-up	1U1765	6.000	4.000	I	2460650	435.93
	Tilt	1U1767	0-4	1U1765	10.000	4.000	I	2460645	277.42
	Tilt	1U1767	5-up	1U1765	6.000	4.000	I	2460650	435.93
	Tilt	3G4598	11-17	9J3376	10.000	4.000	I	2460644	404.88

All manufacturer's names, part numbers and descriptions are used for reference purposes only. We do not imply that any part shown is the product of these manufacturers.

Tel.: (418) 688-3202  
Fax: (418) 688-4272

**KITS 223**

[www.sealsonline.com](http://www.sealsonline.com)

INDUSTRIAL  
SEAL KITS

MOBILE  
SEAL KITS



CATERPILLAR

## CATERPILLAR

## WHEEL LOADER

Model	Application	Cylinder Group	Engineering Design Change Level	Cylinder Assembly Part No.	Bore	Rod	I	Ref. Number RCAT-	\$
							M		
992G	Tilt	3G4599	11-15	9J3376	10.000	4.000	I	2460644	404.88
	Tilt LH	1026248	0-up	9J3376	10.000	4.000	I	2460644	404.88
	Tilt LH	1U1771	10-up	1U1765	6.000	4.000	I	2460650	435.93
	Tilt LH	3G4615	15-up	9J3376	10.000	4.000	I	2460644	404.88
	Tilt RH	1026247	0-up	9J3376	10.000	4.000	I	2460644	404.88
	Tilt RH	1U1766	0-4	1U1765	6.000	4.000	I	2460645	277.42
	Tilt RH	1U1766	5-up	1U1765	6.000	4.000	I	2460644	404.88
	Tilt RH	3G4599	17-up	9J3376	10.000	4.000	I	2460644	404.88
	Lift	1128209	0-11	1129823	11.000	7.000	I	2463450	578.11
	Lift	1128209	12-up	1129823	11.000	7.000	I	2463450	578.11
	Lift RH	1367880	0-3	1367879	11.000	7.000	I	2463450	578.11
	Lift RH	1367880	4-up	1367879	11.000	7.000	I	2463450	578.11
	Steering	1128208	0-up	1134388	5.500	3.250	I	2297191	266.15
	Tilt	1124282	0-11	1124283	11.000	5.500	I	2297190	501.48
Tilt	1124282	12-up	1124283	11.000	5.500	I	2297190	501.48	
994	Lift	9T9020	0-up	6E0033	12.500	8.000	I	2456821	1100.23
	Lift	9T9023	0-up	6E0279	12.500	8.000	I	2456821	1100.23
	Steering	6E0529	0-up	6E0530	7.750	4.250	I	2463431	471.22
	Steering	9T9019	0-up	6E0521	7.750	4.250	I	2463431	471.22
	Tilt	9T9021	7-15	6E0509	10.500	5.500	I	2463437	654.93
	Tilt	9T9021	16-up	6E0509	10.500	5.500	I	2481198	759.92
	Tilt	9T9022	7-15	6E0509	10.500	5.500	I	2463437	654.93
	Tilt	9T9022	16-up	6E0509	10.500	5.500	I	2481198	759.92
	Tilt	9T9024	7-9	6E0509	10.500	5.500	I	2463437	654.93
	Tilt	9T9025	7-9	6E0509	10.500	5.500	I	2463437	654.93
994D	Tilt LH	1123172	0-9	6E0509	10.500	5.500	I	2463437	654.93
	Tilt LH	1123172	10-up	6E0509	10.500	5.500	I	2481198	759.92
	Tilt LH	1142821	0-up	6E0509	10.500	5.500	I	2463437	654.93
	Tilt LH	9T9022	7-15	6E0509	10.500	5.500	I	2463437	654.93
	Tilt LH	9T9022	16-up	6E0509	10.500	5.500	I	2481198	759.92
	Tilt LH	9T9025	9-up	6E0509	10.500	5.500	I	2463437	654.93
	Tilt RH	1123171	0-9	6E0509	10.500	5.500	I	2463437	654.93
	Tilt RH	1123171	10-up	6E0509	10.500	5.500	I	2481198	759.92
	Tilt RH	1142820	0-up	6E0509	10.500	5.500	I	2463437	654.93
	Tilt RH	9T9021	7-15	6E0509	10.500	5.500	I	2463437	654.93
	Tilt RH	9T9021	16-up	6E0509	10.500	5.500	I	2481198	759.92
	Tilt RH	9T9024	9-up	6E0509	10.500	5.500	I	2463437	654.93
994D	Lift	9T9020	0-up	6E0033	12.500	8.000	I	2456821	1100.23
	Lift	9T9023	0-up	6E0279	12.500	8.000	I	2456821	1100.23
	Steering	6E0529	0-up	6E0530	7.750	4.250	I	2463431	471.22
	Steering	9T9019	0-up	6E0521	7.750	4.250	I	2463431	471.22
	Tilt	9T9021	7-15	6E0509	10.500	5.500	I	2463437	654.93
	Tilt	9T9021	16-up	6E0509	10.500	5.500	I	2481198	759.92
	Tilt	9T9022	7-15	6E0509	10.500	5.500	I	2463437	654.93
	Tilt	9T9022	16-up	6E0509	10.500	5.500	I	2481198	759.92

All manufacturer's names, part numbers and descriptions are used for reference purposes only. We do not imply that any part shown is the product of these manufacturers.

INDUSTRIAL SEAL KITS

MOBILE SEAL KITS



CATERPILLAR

## WHEEL LOADER

## CATERPILLAR

Model	Application	Cylinder Group	Engineering Design Change Level	Cylinder Assembly Part No.	Bore	Rod	I	Ref. Number RCAT-	\$
							M		
G910	Tilt	9T9024	7-9	6E0509	10.500	5.500	I	2463437	654.93
	Tilt	9T9025	7-9	6E0509	10.500	5.500	I	2463437	654.93
	Tilt LH	1123172	0-9	6E0509	10.500	5.500	I	2463437	654.93
	Tilt LH	1123172	10-up	6E0509	10.500	5.500	I	2481198	759.92
	Tilt LH	1142821	0-up	6E0509	10.500	5.500	I	2463437	654.93
	Tilt LH	9T9022	7-15	6E0509	10.500	5.500	I	2463437	654.93
	Tilt LH	9T9022	16-up	6E0509	10.500	5.500	I	2481198	759.92
	Tilt LH	9T9025	9-up	6E0509	10.500	5.500	I	2463437	654.93
	Tilt RH	1123171	0-9	6E0509	10.500	5.500	I	2463437	654.93
	Tilt RH	1123171	10-up	6E0509	10.500	5.500	I	2481198	759.92
	Tilt RH	1142820	0-up	6E0509	10.500	5.500	I	2463437	654.93
	Tilt RH	9T9021	7-15	6E0509	10.500	5.500	I	2463437	654.93
	Tilt RH	9T9021	16-up	6E0509	10.500	5.500	I	2481198	759.92
	Tilt RH	9T9024	9-up	6E0509	10.500	5.500	I	2463437	654.93
	Lift	7J5694	2-8	7J5891	4.000	2.000	I	2406899	51.38
	Lift	7J5893	0-8	8J4424	4.000	2.000	I	2406899	51.38
Lift	7J5893	9-up	8J4424	4.000	2.000	I	2339205	57.79	
Lift	7J5894	0-8	7J5891	4.000	2.000	I	2406899	51.38	
Lift	7J5894	9-up	7J5891	4.000	2.000	I	2339205	57.79	
Steering	1U4666	0-3	1U4665	2.750	1.500	I	2465912	52.03	
Steering	1U4666	4-up	1U4665	2.750	1.500	I	2465909	70.03	
Tilt	1U3165	0-3		3.250	1.750	I	2401671	64.52	
Tilt	1U3165	4-up	1U3166	3.250	1.750	I	1857030	129.86	
G916	Tilt	7J5885	0-up		3.000	1.750	I	2402016	95.33
	Lift	4T8648	0-2	4T8649	4.250	2.250	I	2410898	115.59
	Lift	4T8648	3-up	9T4304	4.250	2.250	I	2417579	147.89
	Steering	1U3322	3-up	1U3323	3.000	1.500	I	2465913	64.72
	Tilt	3G6571	0-2	3G6570	4.750	2.500	I	2285271	156.82
G926	Tilt	3G6571	3-up	3G6570	4.750	2.500	I	2285272	184.11
	Lift	3G2991	7-up	9T4305	4.750	2.500	I	2285272	184.11
	Lift	3G2991	4-6	9T4305	4.750	2.500	I	2285271	156.82
	Steering	3G3501	0-7	3G3316	3.000	1.500	I	2465922	104.92
G936	Steering	3G3501	8-up	3G3316	3.000	1.500	I	2465913	64.72
	Tilt	3G2798	4-7	3G2787	5.500	2.500	I	2430383	109.32
	Tilt	3G2798	8-up	3G2787	5.500	2.500	I	2430395	208.64
	Lift	4T1674	5-up	9T4306	5.500	2.500	I	2285273	80.26
	Lift	9T1196	2-up	9T4306	5.500	2.500	I	2285273	80.26
	Steering	3G5110	0-6	3G5109	3.500	1.750	I	2401661	76.50
	Steering	3G5110	7-up	3G5109	3.500	1.750	I	2401881	56.93
	Tilt	3G5291	3-5	3G5290	6.500	2.750	I	2435816	216.72
Tilt	3G5291	6-up	3G5290	6.500	2.750	I	2435812	121.99	

All manufacturer's names, part numbers and descriptions are used for reference purposes only. We do not imply that any part shown is the product of these manufacturers.

Tel.: (514) 334-2220  
Fax: (514) 333-8329

**KITS 225**

[www.sealsonline.com](http://www.sealsonline.com)

INDUSTRIAL  
SEAL KITS

MOBILE  
SEAL KITS



CATERPILLAR

## CATERPILLAR

## KIT LISTING

Ref. Number RCAT-	BORE	ROD	\$	Ref. Number RCAT-	BORE	ROD	\$	Ref. Number RCAT-	BORE	ROD	\$
0773179	2.500	1.250	91.51	1013697	2.000	1.250	71.07	1184024	140.00	100.00	321.34
0813458	2.750	-	143.32	1017554	10.500	5.500	654.93	1184131	120.00	85.00	246.69
0814687	-	-	283.61	1038333	90.00	60.00	244.67	1184175	130.00	90.00	291.51
0814690	-	-	318.76	1045008	4.500	4.000	274.84	1186023	120.00	85.00	262.94
0854847	150.00	100.00	349.47	1052585	130.00	90.00	477.91	1195435	110.00	75.00	291.68
0856901	150.00	90.00	554.01	1052601	130.00	85.00	427.86	1195446	120.00	80.00	266.10
0860174	100.00	75.00	266.84	1057253	80.00	55.00	182.36	1195457	100.00	65.00	211.78
0875387	140.00	100.00	337.31	1057255	110.00	75.00	268.64	1199023	2.500	-	110.54
0875394	120.00	85.00	255.49	1057359	110.00	80.00	242.02	1211405	100.00	70.00	264.13
0875407	180.00	130.00	393.07	1057379	120.00	85.00	255.89	1211526	160.00	90.00	348.62
0876654	160.00	110.00	316.89	1057397	100.00	70.00	200.17	1235251	-	-	58.86
0933045	90.00	50.00	285.35	1057480	100.00	55.00	208.57	1235733	-	-	391.71
0935249	90.00	60.00	303.32	1113300	4.610	2.500	134.81	1235933	3.000	1.500	62.81
0935250	100.00	65.00	349.99	1113301	3.000	1.875	132.14	1247005	160.00	85.00	195.50
0937931	110.00	75.00	324.18	1113302	4.000	2.000	117.43	1247006	130.00	70.00	302.30
0937932	120.00	80.00	354.21	1125342	12.500	8.000	734.87	1247007	110.00	80.00	252.81
0937935	110.00	70.00	246.71	1125343	13.750	8.750	870.05	1247008	120.00	85.00	273.12
0938385	110.00	70.00	209.70	1126550	6.500	3.000	174.96	1247009	110.00	80.00	252.81
0938387	120.00	80.00	348.72	1126552	6.500	2.000	230.53	1247010	140.00	75.00	334.12
0938388	120.00	80.00	340.71	1130911	2.875	1.000	154.58	1247012	100.00	70.00	281.14
0938390	110.00	65.00	334.10	1137463	10.750	9.000	1630.35	1254293	90.00	65.00	260.90
0939941	140.00	90.00	302.23	1137475	8.000	7.000	715.42	1255138	-	-	177.77
0940691	125.00	85.00	318.64	1137476/PI	13.125	11.000	3525.44	1257006	-	-	239.24
0941910	140.00	90.00	380.33	1137476/PI/SI	13.125	11.000	3574.42	1259700	-	-	378.89
0942697	150.00	100.00	252.76	1137476/PI/SI-G	13.125	11.000	3255.12	1261887	130.00	90.00	422.23
0942698	160.00	110.00	384.80	1137476/PI-G	13.125	11.000	3211.50	1261947	120.00	85.00	341.72
0961765	180.00	130.00	613.74	1137476/SI	13.125	11.000	3468.59	1261979	190.00	130.00	290.58
0961766	170.00	120.00	952.61	1137476/SI-G	13.125	11.000	3129.58	1265378	4.000	2.250	550.29
0962159	120.00	70.00	308.55	1137478	8.000	7.000	929.91	1270630	140.00	100.00	335.82
0964395	120.00	85.00	384.00	1137480	14.250	12.500	895.80	1270631	140.00	105.00	338.10
0964396	130.00	95.00	339.67	1137480/PI	14.250	12.500	1392.16	1279809	6.500	3.000	228.53
0965606	140.00	100.00	423.66	1137480/PI/SI	14.250	12.500	1692.22	1281673	5.500	3.000	225.63
0966457	115.00	65.00	356.09	1137480/PI/SI-G	14.250	12.500	900.02	1289277	150.00	105.00	363.26
0967625	100.00	65.00	332.85	1137480/PI/SI-G/RWR	14.250	12.500	1651.65	1289278	170.00	110.00	392.21
0967786	100.00	65.00	348.65	1137480/PI/SI-RWR	14.250	12.500	2442.93	1289280	160.00	110.00	380.43
0967799	120.00	80.00	336.01	1137480/PI-G	14.250	12.500	631.75	1296156	170.00	100.00	348.44
0983341	3.000	-	158.48	1137480/PI-G/RWR	14.250	12.500	1550.04	1304012	5.000	2.500	188.91
0992030	200.00	140.00	407.54	1137480/PI-RWR	14.250	12.500	2331.15	1305923	4.750	2.125	156.51
0992031	215.00	160.00	708.35	1137480/SI	14.250	12.500	1380.88	1309466	6.000	3.000	295.18
0995310	110.00	75.00	268.41	1137480/SI-G	14.250	12.500	768.85	1309483	7.250	3.500	308.34
0995311	120.00	80.00	286.45	1137480/SI-G/RWR	14.250	12.500	1535.59	1309702	7.500	6.000	445.57
0995312	100.00	65.00	290.93	1137480/SI-RWR	14.250	12.500	2318.96	1309723	10.000	7.250	599.43
0995401	100.00	70.00	229.21	1137482	10.500	9.000	352.46	1309758	10.000	7.000	575.87
0995555	140.00	95.00	301.58	1163529	220.00	150.00	706.45	1309763	7.750	4.250	336.89
1002931	5.500	3.250	391.37	1163612	150.00	105.00	297.90	1309792	8.500	6.500	484.26
1002932	5.500	3.250	391.84	1163649	170.00	110.00	371.82	1310008	11.000	7.500	709.17
1002939	6.000	3.750	483.66	1180672	8.250	6.000	646.43	1310012	11.000	7.000	707.52
1011584	3.000	-	72.00	1183135	-	-	301.35	1310017	13.000	8.750	1256.56

All manufacturer's names, part numbers and descriptions are used for reference purposes only. We do not imply that any part shown is the product of these manufacturers.

INDUSTRIAL  
SEAL KITS

MOBILE  
SEAL KITS

CATERPILLAR

## KIT LISTING

## CATERPILLAR

Ref. Number RCAT-	BORE	ROD	\$	Ref. Number RCAT-	BORE	ROD	\$	Ref. Number RCAT-	BORE	ROD	\$
1310101	13.500	8.750	951.23	1328606	9.250	3.250	377.46	1361990	4.000	2.750	171.66
1315088	4.250	2.250	147.89	1328608	9.250	3.250	240.57	1362025	4.750	3.000	200.30
1315106	5.000	2.630	166.75	1328620	7.250	3.250	249.69	1362721	7.500	3.500	233.23
1315118	5.000	2.500	175.63	1328633	3.250	1.500	109.15	1363084	6.000	3.000	139.31
1315164	6.000	2.500	200.84	1328770	3.250	1.750	119.13	1363337	6.000	2.750	156.33
1315420	4.000	2.750	118.66	1328783	4.500	2.000	73.71	1363741	6.500	3.000	155.45
1315421	4.000	2.000	150.56	1328811	4.750	2.500	159.38	1365158	6.250	3.500	295.51
1315423	4.000	3.000	210.14	1328816	4.000	2.000	91.57	1368341	6.500	2.500	160.91
1315424	4.500	3.500	255.41	1328818	4.000	2.000	156.66	1368797	6.500	3.250	218.68
1316102	8.250	3.500	305.92	1329361	3.750	1.750	118.48	1368823	6.500	3.750	224.50
1316104	7.250	3.250	243.27	1329783	7.000	4.000	34.90	1368865	6.500	4.000	383.02
1316106	6.000	3.000	274.32	1333614	7.000	4.000	336.07	1370245	6.500	2.500	218.48
1316108	4.000	1.750	107.25	1333705	10.030	4.000	435.93	1370264	6.500	2.500	173.32
1316109	4.750	3.000	108.49	1334759	7.000	3.250	221.23	1370315	7.250	2.750	231.98
1318161	4.000	2.250	387.48	1334802	7.000	3.250	244.57	1371384	9.250	3.250	222.06
1318700	3.750	2.500	149.01	1336646	110.00	80.00	244.62	1371762	9.250	4.000	287.88
1318733	6.500	3.000	203.48	1336691	100.00	70.00	212.37	1371774	7.250	4.750	334.43
1318740	6.500	3.000	171.09	1336823	140.00	100.00	317.03	1371946	7.000	4.750	361.42
1318748	4.000	2.500	151.98	1339101	5.500	2.500	296.20	1371955	6.500	4.750	296.36
1318778	4.750	2.250	138.31	1345986	-	-	200.42	1371974	8.250	3.500	251.93
1324905	8.250	3.500	202.34	1346083	3.000	-	27.20	1372489	7.250	2.750	205.54
1324919	10.000	3.500	403.50	1347123	125.00	85.00	916.97	1372530	3.000	1.500	89.17
1324922	9.250	4.000	339.07	1350219	-	-	114.82	1372533	3.000	1.500	113.51
1324932	10.500	4.000	356.78	1350221	2.500	-	49.34	1373496	5.000	2.500	165.57
1324937	6.000	3.000	129.03	1352167	6.000	2.750	207.90	1373529	4.500	2.250	151.06
1324987	7.250	3.250	217.96	1353223	4.000	2.500	158.38	1373602	5.000	2.250	162.41
1324993	7.750	3.250	267.07	1353253	4.000	2.500	155.62	1373763	120.00	85.00	365.07
1324997	7.750	3.750	274.37	1353802	4.500	3.000	162.78	1373764	140.00	100.00	318.61
1326121	5.250	2.750	206.88	1353829	4.500	3.000	210.89	1373765	130.00	90.00	469.92
1326127	7.250	3.000	205.34	1353857	9.250	6.000	423.85	1373766	140.00	100.00	305.86
1326148	4.250	2.750	169.35	1354382	11.500	5.750	434.93	1373767	150.00	105.00	413.49
1326180	7.250	3.000	211.59	1354392	4.500	2.250	138.58	1373768	130.00	90.00	434.86
1326184	7.250	3.000	223.01	1354402	8.250	3.250	277.87	1378527	4.250	2.000	128.00
1326770	4.500	2.250	148.27	1354446	7.250	3.250	219.44	1378646	5.250	3.000	206.97
1326783	7.000	4.000	256.46	1354539	5.500	3.250	118.62	1378662	4.250	2.000	133.63
1326806	7.000	4.000	353.28	1357871	10.500	6.500	532.12	1407597	-	-	119.54
1326897	7.250	3.000	346.07	1357927	-	-	317.48	1417296	8.500	7.000	227.30
1327058	3.500	1.500	102.53	1357941	-	-	198.63	1417975	4.500	3.500	280.71
1327114	4.250	2.500	153.28	1358166	3.500	2.250	169.32	1428962	-	-	82.96
1327123	5.500	2.500	186.81	1358169	10.250	7.250	687.29	1428963	-	-	125.71
1327129	6.290	2.750	191.16	1358695	4.750	2.500	156.38	1429192	-	-	146.67
1327131	6.290	2.750	197.80	1358736	5.500	2.750	209.35	1429193	-	-	111.49
1328088	6.500	2.750	202.37	1361131	4.750	2.500	141.37	1432918	5.250	3.000	208.74
1328111	5.500	2.750	200.17	1361171	4.000	2.250	150.94	1443084	130.00	95.00	329.53
1328284	7.000	2.750	229.13	1361599	2.750	1.500	105.15	1447731	125.00	85.00	347.32
1328491	6.250	3.000	257.18	1361897	3.750	2.250	157.15	1447732	115.00	75.00	437.99
1328518	7.000	3.250	226.33	1361908	5.250	2.870	174.57	1447736	140.00	90.00	389.28
1328576	9.250	3.250	319.24	1361967	5.110	2.470	191.30	1450634	-	-	1539.35

All manufacturer's names, part numbers and descriptions are used for reference purposes only. We do not imply that any part shown is the product of these manufacturers.

**Tel.: (905) 362-0889**  
**Fax: (888) 238-1664**

**KITS 227**

**www.sealsonline.com**

INDUSTRIAL  
SEAL KITS

MOBILE  
SEAL KITS



CATERPILLAR



## CATERPILLAR

## KIT LISTING

Ref. Number RCAT-	BORE	ROD	\$	Ref. Number RCAT-	BORE	ROD	\$	Ref. Number RCAT-	BORE	ROD	\$
1450715	-	-	1631.72	1570291	11.000	5.500	501.48	1697841	120.00	80.00	307.54
1456437	-	-	1131.57	1586389	110.00	75.00	306.92	1697842	100.00	65.00	310.51
1469624	9.250	3.250	265.32	1589092	120.00	85.00	175.74	1697843	130.00	70.00	290.15
1469631	9.250	3.250	280.99	1597532	11.000	7.000	578.11	1697844	110.00	75.00	272.52
1469860	4.500	2.500	159.21	1597533	11.000	5.500	501.48	1697845	80.00	55.00	231.85
1494128	-	-	175.69	1597774	140.00	100.00	523.35	1697895	90.00	60.00	198.16
1496062	8.500	6.500	563.20	1605784	5.000	3.000	163.28	1697896	110.00	75.00	413.89
1505833	130.00	95.00	500.57	1605785	6.500	3.250	234.97	1700221	4.750	2.500	139.84
1505850	110.00	80.00	768.22	1605795	5.250	2.500	176.70	1709827	100.00	70.00	255.61
1531282	12.750	7.750	690.62	1605796	7.000	3.000	299.30	1709828	180.00	125.00	420.48
1534973	8.500	3.500	347.14	1608546	60.00	30.00	71.35	1709829	200.00	140.00	514.34
1539053	2.750	1.750	148.85	1608547	60.00	35.00	71.05	1709830	180.00	130.00	406.54
1539054	2.750	1.750	142.47	1608548	55.00	30.00	54.44	1711168	4.000	1.750	70.80
1540728	120.00	85.00	481.52	1612010	-	-	1050.22	1711421	4.500	1.750	185.96
1540735	140.00	100.00	424.06	1612011	-	-	1017.64	1721685	3.000	2.000	64.98
1540744	120.00	85.00	463.08	1622162	-	-	59.25	1721687	4.500	4.000	246.52
1540748	130.00	90.00	284.44	1622163	-	-	53.43	1721688	4.000	2.750	167.10
1540757	130.00	90.00	442.66	1624675	110.00	80.00	286.69	1721689	4.500	2.000	217.48
1540761	140.00	100.00	377.39	1624676	120.00	85.00	335.88	1721690	4.500	2.000	98.13
1540766	150.00	105.00	387.46	1624677	100.00	70.00	262.68	1721691	5.500	3.500	248.44
1540773	130.00	90.00	442.37	1624678	110.00	80.00	286.69	1721692	4.500	4.000	199.90
1542501	4.000	2.500	149.51	1636105	4.500	2.750	160.28	1721693	4.500	3.500	247.02
1542502	7.250	2.500	190.99	1643213	-	-	22.91	1728500	180.00	105.00	444.66
1542503	4.750	3.000	200.30	1656035	6.500	2.500	179.61	1749425	6.250	3.500	239.39
1542504	10.000	7.000	512.62	1657746	4.000	1.750	132.52	1764912	120.00	85.00	252.48
1542505	7.500	6.000	488.73	1657747	4.500	1.750	139.50	1764913	140.00	100.00	321.14
1546525	4.750	2.250	162.78	1659416	190.00	130.00	434.00	1764914	130.00	90.00	317.76
1546526	4.000	2.250	148.81	1659418	120.00	85.00	363.34	1764932	160.00	110.00	423.93
1560625	180.00	130.00	408.32	1659419	130.00	95.00	348.79	1764934	120.00	85.00	224.12
1560626	200.00	140.00	644.60	1659420	110.00	80.00	279.19	1764935	100.00	65.00	218.47
1560627	220.00	150.00	591.86	1680758	150.00	105.00	344.57	1764999	130.00	95.00	231.60
1560656	160.00	110.00	351.36	1680759	170.00	110.00	395.61	1788382	170.00	100.00	382.32
1563798	4.750	2.500	154.61	1680760	160.00	110.00	383.77	1791715	1.500	-	14.91
1565208	2.500	1.500	101.85	1697826	110.00	75.00	128.26	1791746	1.500	-	182.44
1565209	12.500	11.000	539.22	1697827	90.00	60.00	340.00	1791749	1.500	-	5.31
1565209/PI	12.500	11.000	1314.25	1697828	80.00	55.00	254.76	1795934	-	-	192.92
1565209/PI/SI	12.500	11.000	1355.56	1697829	100.00	55.00	283.27	1799634	120.00	85.00	338.42
1565209/PI/SI-G	12.500	11.000	631.27	1697830	100.00	65.00	234.10	1799772	130.00	90.00	199.24
1565209/PI-G	12.500	11.000	587.63	1697831	120.00	75.00	287.36	1835795	3.000	1.750	131.68
1565209/SI	12.500	11.000	1195.08	1697832	100.00	70.00	244.71	1838996	130.00	70.00	283.86
1565209/SI-G	12.500	11.000	505.67	1697833	85.00	60.00	399.63	1855574	160.00	95.00	393.88
1570284	7.750	3.500	318.37	1697834	100.00	55.00	227.51	1856582	2.750	1.500	136.00
1570285	9.250	2.750	363.18	1697835	120.00	80.00	213.45	1856583	3.000	1.500	44.15
1570286	5.500	2.500	170.03	1697836	100.00	70.00	342.10	1856584	4.000	1.500	94.13
1570287	5.500	2.750	146.75	1697837	110.00	75.00	256.43	1856585	2.500	1.500	60.85
1570288	4.750	3.000	170.18	1697838	120.00	80.00	267.85	1856586	2.750	1.500	63.57
1570289	11.000	7.000	578.11	1697839	100.00	65.00	216.25	1856587	3.000	1.500	59.97
1570290	4.000	2.000	134.45	1697840	110.00	75.00	344.89	1856588	3.500	1.500	102.67

All manufacturer's names, part numbers and descriptions are used for reference purposes only. We do not imply that any part shown is the product of these manufacturers.

INDUSTRIAL  
SEAL KITS

MOBILE  
SEAL KITS



CATERPILLAR

## KIT LISTING

## CATERPILLAR

Ref. Number RCAT-	BORE	ROD	\$	Ref. Number RCAT-	BORE	ROD	\$	Ref. Number RCAT-	BORE	ROD	\$
1856589	3.500	1.500	111.96	1857689	4.500	2.000	80.34	1864350	4.750	2.500	191.98
1856590	2.250	1.500	43.82	1857694	4.250	2.000	136.32	1864351	6.000	2.500	276.49
1856591	3.500	1.500	104.95	1857696	4.250	2.000	145.64	1864356	5.500	2.500	100.50
1856593	3.250	1.500	116.24	1857698	4.000	2.000	143.19	1864357	6.500	2.500	85.61
1856596	2.750	1.500	44.63	1857699	4.500	2.000	212.48	1864358	5.500	2.500	116.42
1856598	3.000	1.500	91.28	1857700	4.500	2.000	95.89	1864362	4.500	2.500	146.96
1856601	2.500	1.500	51.13	1859502	5.000	2.250	174.70	1864363	5.000	2.500	205.92
1857018	3.500	1.750	57.68	1859503	3.500	2.250	135.78	1864365	5.000	2.500	181.76
1857019	3.250	1.750	68.70	1859504	4.500	2.250	201.07	1864366	5.000	2.500	191.45
1857020	3.500	1.750	60.63	1859505	4.500	2.250	115.79	1864368	6.000	2.500	72.35
1857021	4.000	2.687	100.03	1859508	4.000	2.250	113.61	1864371	4.000	2.500	177.12
1857022	3.000	1.750	95.33	1859509	3.750	2.250	81.67	1864373	4.250	2.500	101.29
1857023	3.750	1.750	104.55	1859510	4.000	2.250	98.67	1864375	5.500	2.500	175.40
1857024	2.750	1.750	54.33	1859511	4.750	2.250	104.09	1864378	4.750	2.500	173.72
1857025	3.000	1.750	45.82	1859512	3.500	2.250	97.08	1864379	4.000	2.500	172.64
1857027	2.750	1.750	90.51	1859516	5.000	2.250	172.19	1864380	4.000	2.500	169.63
1857029	4.000	1.750	116.91	1859517	4.250	2.250	131.78	1864381	4.750	2.500	153.38
1857030	3.250	1.750	129.86	1859519	4.750	2.250	158.93	1864382	4.750	2.500	91.44
1857033	3.750	1.750	126.18	1859525	4.500	2.250	155.68	1864383	5.000	2.500	208.52
1857035	2.750	1.750	162.25	1859526	3.500	2.250	184.58	1864386	6.500	2.500	175.39
1857036	2.750	1.750	155.28	1859527	4.000	2.375	113.17	1864388	6.500	2.500	188.91
1857037	3.000	1.750	140.24	1859528	3.750	2.250	171.29	1864389	5.000	2.500	125.54
1857662	4.500	2.750	176.74	1859530	4.500	2.250	160.88	1864391	4.500	2.500	173.54
1857663	5.500	3.250	173.84	1859535	4.000	2.250	162.21	1864392	4.000	2.500	162.95
1857664	5.500	3.250	173.84	1860270	3.000	1.875	207.59	1864393	7.250	2.500	208.17
1857665	5.500	3.500	161.80	1864327	3.500	2.500	144.29	1864394	4.750	2.500	164.67
1857666	4.000	2.000	147.04	1864328	4.250	2.500	115.64	1864396	5.500	2.500	181.09
1857667	3.000	2.000	83.60	1864329	5.500	2.500	174.82	1864397	5.250	2.500	188.19
1857668	5.000	2.000	145.77	1864330	6.000	2.500	173.52	1864398	6.500	2.500	191.28
1857669	4.250	2.000	46.58	1864331	6.500	2.500	234.95	1864399	4.750	2.500	176.69
1857670	3.250	2.000	125.97	1864332	5.000	2.500	187.49	1864400	7.750	5.250	502.17
1857671	5.000	2.000	95.43	1864333	4.000	2.500	58.39	1864401	6.500	4.750	217.68
1857672	3.500	2.000	68.00	1864334	7.250	2.500	194.71	1864403	170.00	110.00	449.47
1857673	4.500	2.000	105.40	1864335	6.000	2.500	184.33	1864405	4.250	2.500	57.70
1857674	3.500	2.000	114.05	1864336	4.250	2.500	89.48	1864406	3.500	2.125	112.89
1857675	3.750	2.000	97.20	1864337	4.250	2.500	96.21	1864407	10.500	5.500	697.50
1857676	5.000	2.000	120.71	1864338	4.000	2.500	80.57	1864409	11.000	7.000	753.51
1857677	4.000	2.000	109.77	1864339	6.500	2.500	182.79	1864438	4.000	2.500	108.14
1857678	3.500	2.000	94.46	1864340	6.000	2.500	251.56	1890262	9.250	6.000	451.39
1857679	5.000	2.000	76.30	1864341	3.750	2.500	98.60	1890263	5.500	3.500	242.75
1857680	4.000	2.000	138.82	1864342	5.500	2.500	95.55	1890264	8.250	3.250	217.68
1857682	4.250	2.000	113.12	1864343	6.000	2.500	139.07	1890266	8.250	3.500	194.43
1857683	3.250	2.000	150.78	1864344	5.000	2.500	133.70	1890267	8.250	3.500	418.73
1857684	3.750	2.000	112.57	1864345	6.500	2.500	117.74	1890268	5.000	2.750	120.14
1857685	5.500	3.250	427.11	1864346	4.750	2.000	125.95	1890271	3.750	2.375	86.78
1857686	4.000	2.000	85.44	1864347	6.500	2.500	117.74	1890272	6.000	4.750	385.01
1857687	4.000	2.000	147.11	1864348	6.000	2.500	148.69	1890273	4.000	3.000	229.05
1857688	4.000	2.000	68.74	1864349	6.000	2.500	176.77	1890274	5.250	2.875	190.28

All manufacturer's names, part numbers and descriptions are used for reference purposes only. We do not imply that any part shown is the product of these manufacturers.

**Tel.: (204) 783-9617**  
**Fax: (204) 783-6091**

**KITS 229**

**www.sealsonline.com**

INDUSTRIAL  
SEAL KITS

MOBILE  
SEAL KITS



CATERPILLAR

## CATERPILLAR

## KIT LISTING

Ref. Number RCAT-	BORE	ROD	\$	Ref. Number RCAT-	BORE	ROD	\$	Ref. Number RCAT-	BORE	ROD	\$
1890276	7.000	5.750	353.71	1916508	7.250	3.000	231.68	1933103	10.500	4.000	431.37
1890281	140.00	100.00	366.05	1916511	7.250	3.000	223.81	1933104	6.500	2.750	215.52
1891778	8.250	6.000	704.62	1917692	6.250	3.000	121.28	1933106	5.500	2.750	213.17
1891779	7.750	4.500	971.87	1917693	9.250	3.250	219.33	1933108	7.000	2.750	244.02
1891780	7.750	4.500	784.44	1917694	6.250	3.000	209.55	1933110	6.000	4.000	464.27
1891781	10.500	6.500	396.50	1917696	9.250	3.250	339.99	1933112	9.250	4.000	306.59
1891782	10.500	6.500	566.70	1919204	6.000	3.000	188.24	1933114	7.250	2.750	218.89
1891784	11.000	5.500	534.08	1919205	8.250	3.250	253.64	1933115	8.500	3.500	369.70
1891790	7.750	4.500	1034.77	1919206	6.500	3.250	225.66	1933116	7.750	3.500	334.57
1891791	12.500	8.000	978.86	1919207	9.250	3.250	171.75	1933117	4.500	2.750	110.15
1891793	11.000	7.500	755.26	1919208	6.500	4.000	253.64	1935428	7.250	2.750	122.24
1891795	10.250	7.250	657.71	1919209	9.250	3.250	256.21	1935429	7.000	4.000	206.72
1891796	10.250	7.250	692.49	1919212	6.000	3.000	161.85	1935431	4.000	2.125	84.41
1891798	13.000	8.750	1338.24	1919214	6.500	3.250	238.35	1935433	8.250	3.500	202.34
1891800	10.000	7.250	1000.13	1919216	6.500	4.000	407.92	1935434	7.000	4.000	279.54
1891802	8.500	6.500	515.74	1920738	5.500	3.250	99.72	1935435	7.000	4.000	376.24
1895370	7.000	3.250	266.60	1920739	7.250	3.250	213.81	1935437	7.000	4.000	357.91
1895371	7.000	3.250	279.01	1920740	7.250	3.250	265.92	1935438	6.000	2.750	147.44
1895373	8.250	3.250	285.14	1920742	4.750	3.000	213.32	1935440	7.250	2.750	247.06
1895374	7.000	3.250	152.19	1920743	5.250	3.000	220.43	1937619	5.000	2.750	195.98
1895375	7.000	3.250	246.71	1921409	7.300	3.000	305.50	1937620	4.250	3.500	119.34
1895377	9.250	3.250	238.03	1921410	4.500	3.000	192.50	1937621	6.290	2.750	165.25
1895378	9.250	3.250	282.56	1921411	4.500	3.000	224.60	1937622	7.500	3.500	199.90
1895379	9.250	3.250	299.25	1923003	8.250	3.000	382.52	1937623	6.000	2.750	184.44
1895381	5.500	3.250	261.55	1923004	6.000	3.250	287.98	1937624	6.500	2.750	144.82
1895382	5.500	3.250	277.64	1923006	5.250	3.000	191.26	1937625	6.000	4.000	305.62
1895383	8.250	3.250	295.93	1923007	4.750	3.000	209.09	1937626	3.000	1.875	330.57
1895384	7.750	3.250	284.43	1923008	4.750	3.000	212.86	1937628	8.250	3.500	324.35
1895386	7.250	3.250	281.15	1923009	6.250	2.750	168.62	1937629	4.250	2.750	184.61
1895387	6.500	3.250	250.24	1923010	5.250	3.000	128.70	1937631	6.290	2.750	215.59
1905431	8.250	3.250	262.98	1932344	6.000	3.500	286.83	1937633	7.500	3.500	248.39
1905432	5.250	2.750	222.92	1932345	5.250	3.000	136.05	1937635	6.250	3.500	231.38
1912319	5.500	3.250	426.60	1932346	6.000	3.500	237.04	1937637	8.250	3.500	274.62
1912321	5.500	3.000	244.91	1932347	5.000	3.000	173.89	1937639	5.500	2.750	159.95
1912322	5.500	3.000	244.31	1932348	7.000	3.000	249.62	1937640	6.250	3.500	239.39
1912430	6.500	3.000	190.71	1933088	3.250	1.875	84.41	1939260	8.500	4.000	232.67
1912432	6.500	3.000	186.49	1933089	5.000	2.750	168.03	1939261	6.000	3.750	415.92
1912433	7.250	3.000	225.35	1933090	6.500	2.750	129.93	1939263	6.000	3.750	527.21
1912434	7.250	3.000	243.09	1933091	7.250	2.750	286.68	1939264	7.250	3.500	319.14
1913564	6.500	2.000	245.52	1933092	6.500	2.750	173.27	1939265	4.500	3.500	272.02
1913565	6.500	3.000	249.11	1933093	5.500	2.750	107.12	1939266	10.000	3.500	429.73
1913567	6.000	3.000	314.37	1933094	7.000	2.750	157.75	1939267	6.000	2.750	183.34
1915027	4.000	2.750	115.92	1933095	8.250	3.500	218.66	1939268	11.500	5.750	511.84
1915028	4.750	3.000	108.49	1933096	7.500	3.500	338.97	1939269	5.500	2.750	228.18
1915029	4.750	3.000	213.32	1933097	6.500	2.750	230.82	1939270	4.000	2.750	175.70
1915030	4.750	3.000	159.96	1933098	10.000	4.000	222.44	1939271	9.250	2.750	231.06
1915031	6.000	3.000	129.03	1933099	10.000	4.000	295.45	1941617	7.250	3.250	228.43
1915619	150.00	105.00	156.32	1933102	9.250	4.000	361.11	1944389	6.500	3.750	278.77

All manufacturer's names, part numbers and descriptions are used for reference purposes only. We do not imply that any part shown is the product of these manufacturers.

INDUSTRIAL  
SEAL KITS

MOBILE  
SEAL KITS



CATERPILLAR

## KIT LISTING

## CATERPILLAR

Ref. Number RCAT-	BORE	ROD	\$	Ref. Number RCAT-	BORE	ROD	\$	Ref. Number RCAT-	BORE	ROD	\$
1944390	10.000	7.000	613.31	2042723	180.00	125.00	447.81	2285271	4.750	2.500	156.82
1944393	6.500	3.750	239.09	2042724	180.00	130.00	432.97	2285272	4.750	2.500	184.11
1944394	10.000	7.000	545.94	2043625	120.00	85.00	229.56	2285273	5.500	2.500	80.26
1944395	11.000	7.000	615.67	2043626	140.00	100.00	347.29	2285274	5.500	2.750	200.17
1944395/HT	11.000	7.000	649.09	2043627	120.00	85.00	349.76	2285275	5.500	2.750	188.15
1944396	4.500	4.000	240.87	2043629	130.00	90.00	512.24	2292626	4.000	2.500	162.10
1944397	4.000	2.750	163.26	2043630	130.00	90.00	460.25	2292758	4.500	3.000	210.89
1944399	4.500	3.500	241.36	2043692	120.00	85.00	459.48	2292759	4.500	3.000	180.74
1945583	4.500	2.375	191.21	2048889	7.500	6.000	520.49	2292968	4.750	3.000	250.19
1945584	8.250	5.750	778.37	2050337	120.00	85.00	418.56	2293635	6.250	3.500	239.39
1945585	7.750	5.000	483.29	2062857	5.500	3.250	330.99	2293636	6.250	3.500	295.51
1945586	10.500	3.500	350.09	2070003	140.00	95.00	321.19	2295507	7.000	4.000	353.28
1945587	8.250	3.500	188.28	2070004	180.00	130.00	653.63	2295538	4.000	2.500	175.54
1945588	11.500	7.000	446.07	2095959	130.00	95.00	470.02	2297174	9.250	6.000	423.85
1945588/HT	11.500	7.000	628.08	2095963	110.00	80.00	721.33	2297176	11.500	5.750	480.61
1945591	6.500	4.250	244.89	2096007	140.00	100.00	324.50	2297188	5.500	3.250	250.58
1945592	7.750	5.000	388.33	2123608	120.00	85.00	336.85	2297190	11.000	5.500	501.48
1945593	4.000	1.250	89.03	2146321	140.00	100.00	342.02	2297191	5.500	3.250	266.15
1945594	7.250	4.750	310.97	2155565	160.00	90.00	365.08	2310898	4.500	2.500	180.71
1945595	7.000	4.750	256.56	2156711	80.00	50.00	260.61	2330761	130.00	95.00	309.42
1945596	7.750	3.750	292.21	2157020	170.00	100.00	407.17	2330763	170.00	100.00	461.25
1945599	160.00	110.00	393.50	2159985	140.00	100.00	118.06	2330764	160.00	95.00	195.50
1945600	4.000	2.375	51.21	2159986	130.00	90.00	314.84	2339204	2.750	1.500	122.90
1945601	7.500	6.000	474.54	2159989	160.00	110.00	245.45	2339205	4.000	2.000	57.79
1945603	3.750	2.750	117.14	2159990	170.00	110.00	380.54	2341948	4.750	2.500	188.00
1945605	6.500	4.250	260.45	2159994	180.00	125.00	420.48	2341949	4.000	2.500	153.01
1945606	7.750	4.250	245.69	2159995	200.00	140.00	482.94	2342591	4.000	2.250	150.94
1945608	8.500	4.000	325.98	2159996	180.00	130.00	406.54	2342592	2.500	1.500	101.85
1945610	7.250	4.750	356.18	2160000	220.00	150.00	763.96	2342594	3.000	1.750	136.56
1945611	7.000	4.750	393.96	2170208	13.500	8.750	1013.06	2342595	2.750	1.750	152.34
1945612	6.500	4.750	315.62	2171007	180.00	105.00	444.66	2344666	200.00	140.00	478.21
1997416	150.00	105.00	198.73	2179894	4.500	55.00	227.81	2344667	220.00	150.00	637.44
1997424	120.00	85.00	293.95	2222376	100.00	65.00	206.60	2344673	180.00	130.00	408.32
1997425	130.00	85.00	360.93	2275347	5.000	2.500	90.43	2350354	3.000	1.500	104.24
1997426	130.00	90.00	385.93	2275348	4.500	2.750	160.28	2350355	3.500	2.250	138.44
1997427	140.00	100.00	345.24	2275349	4.750	3.000	174.19	2350969	3.750	2.250	160.83
1G4340	2.500	-	94.51	2275350	3.000	1.750	50.38	2350970	5.250	2.875	178.67
1G6231	4.000	2.000	209.44	2280806	7.000	3.000	234.38	2355802	6.500	2.750	162.70
1G6745	3.000	1.500	157.85	2280807	6.250	3.000	224.98	2355804	6.500	2.750	202.37
1G8863	2.500	-	34.17	2280808	6.250	2.750	146.62	2366368	120.00	85.00	368.88
2003496	220.00	150.00	630.33	2280809	5.500	2.750	214.26	2378277	4.000	2.000	138.07
2003497	220.00	150.00	629.01	2281775	7.750	3.500	153.73	2384462	3.000	2.000	64.98
2003498	190.00	130.00	462.21	2281776	5.250	3.000	104.48	2384487	5.000	2.000	171.73
2003499	180.00	130.00	434.87	2281778	3.500	2.000	104.05	2384501	4.250	2.000	44.59
2028908	12.500	8.000	782.64	2281779	7.000	3.250	297.38	2386661	3.250	2.000	64.88
2038391	115.00	65.00	388.16	2281792	7.000	3.250	281.31	2386718	5.000	2.000	89.61
2042720	170.00	110.00	405.27	2281793	6.000	3.000	256.04	2386859	3.500	2.000	139.67
2042721	160.00	110.00	418.31	2283306	120.00	85.00	440.41	2386882	4.500	2.000	98.97

All manufacturer's names, part numbers and descriptions are used for reference purposes only. We do not imply that any part shown is the product of these manufacturers.

**Tel.: (780) 414-1871**  
**Fax: (780) 487-5419**

**KITS 231**

**www.sealsonline.com**

INDUSTRIAL  
SEAL KITS

MOBILE  
SEAL KITS



CATERPILLAR

## KIT LISTING

## CATERPILLAR

Ref. Number RCAT-	BORE	ROD	\$	Ref. Number RCAT-	BORE	ROD	\$	Ref. Number RCAT-	BORE	ROD	\$
2395021	11.000	7.500	709.17	2418917	4.500	2.250	151.06	2435802	5.250	2.500	176.70
2401661	3.500	1.750	76.50	2418919	5.000	2.250	152.51	2435803	6.500	2.500	179.61
2401671	3.250	1.750	64.52	2418920	4.750	2.250	152.84	2435804	4.750	2.500	165.90
2401881	3.500	1.750	56.93	2418921	4.000	2.250	152.31	2435806	4.500	2.500	189.12
2401905	4.000	1.750	93.93	2418923	3.750	2.370	81.47	2435808	4.500	2.750	165.95
2402016	3.000	1.750	95.33	2418924	4.500	2.375	179.54	2435809	5.000	2.750	204.76
2402481	3.750	1.750	98.17	2418925	4.000	2.375	48.09	2435810	5.250	2.750	119.79
2402482	2.750	1.750	79.96	2419297	4.000	2.250	171.77	2435811	5.000	2.750	157.78
2402484	2.750	1.750	99.87	2422538	4.250	2.500	108.59	2435812	6.500	2.750	121.99
2404713	2.750	1.750	84.99	2422539	5.500	2.500	164.15	2435814	7.250	2.750	252.61
2404819	4.000	1.750	109.77	2422540	6.000	2.500	162.93	2435815	7.000	2.750	238.43
2405319	2.750	1.750	152.51	2422541	6.500	2.500	220.61	2435816	6.500	2.750	216.72
2405500	2.750	1.750	145.81	2422542	5.000	2.500	202.87	2435818	7.000	2.750	283.22
2405524	3.000	1.750	131.68	2422543	4.000	2.500	158.40	2435820	7.250	2.750	205.54
2406869	3.750	2.000	91.26	2422544	7.250	2.500	182.82	2436225	8.250	4.250	616.41
2406883	5.000	2.000	113.34	2422545	6.000	2.500	173.07	2440953	6.000	2.750	226.61
2406899	4.000	2.000	51.38	2422546	4.250	2.500	154.91	2440954	7.250	2.750	114.79
2407308	3.500	2.000	88.69	2422547	4.250	2.500	90.35	2440955	6.000	2.750	138.44
2408479	5.000	2.000	71.65	2422548	4.000	2.500	168.67	2440957	7.250	2.750	231.98
2408513	4.000	2.000	130.35	2422549	6.500	2.500	216.43	2440958	5.000	2.750	184.03
2408515	3.500	2.000	122.59	2422550	6.000	2.500	236.20	2440959	4.250	2.750	112.06
2408523	4.250	2.000	106.22	2422551	3.750	2.500	92.58	2440960	6.290	2.750	155.16
2408525	3.250	2.000	141.57	2422552	6.000	2.500	130.58	2440961	6.000	2.750	173.19
2409518	3.750	2.000	105.70	2422553	5.000	2.500	125.55	2440962	6.500	2.750	135.98
2409538	4.000	2.000	71.05	2422554	6.500	2.500	110.56	2440964	4.250	2.750	173.34
2409936	4.500	2.000	75.44	2422555	6.500	2.500	262.19	2440965	6.290	2.750	179.49
2409938	4.250	2.000	128.00	2422556	6.000	2.500	201.03	2440966	6.290	2.750	202.43
2409939	4.250	2.000	136.75	2422557	6.000	2.500	199.43	2440969	6.000	2.750	172.15
2409941	4.000	2.000	134.45	2422558	6.000	2.500	276.49	2440970	9.250	2.750	363.18
2409942	4.500	2.000	98.13	2430381	5.500	2.500	94.36	2440971	4.000	2.750	167.10
2410108	4.750	2.000	118.26	2430382	6.500	2.500	80.39	2440975	6.500	3.000	243.68
2410895	5.000	2.250	164.05	2430383	8.250	5.750	109.32	2440976	4.000	3.000	215.07
2410896	4.500	2.250	72.91	2430384	5.000	2.500	193.35	2440978	5.500	3.000	229.96
2410897	4.500	2.250	108.72	2430386	5.000	2.500	198.75	2440979	5.500	3.000	229.40
2410898	4.250	2.250	115.59	2430387	5.000	2.500	179.76	2440980	4.250	2.500	179.07
2410899	4.000	2.250	106.67	2430388	6.000	2.500	205.55	2442044	6.500	3.000	215.02
2410900	3.750	2.250	76.69	2430389	3.750	2.500	152.51	2442046	7.250	3.000	211.59
2410901	4.000	2.250	92.65	2430391	4.000	2.500	155.56	2442047	7.250	3.000	228.25
2410902	4.750	2.250	97.73	2430393	4.250	2.500	153.28	2442049	6.500	2.000	101.30
2410903	3.500	2.250	91.16	2430395	8.250	5.750	208.64	2442050	6.500	3.000	233.90
2417578	5.000	2.250	161.68	2430397	4.000	2.500	109.32	2442053	6.000	3.000	295.18
2417579	4.250	2.250	147.89	2430398	4.750	2.500	156.38	2442054	4.750	3.000	239.45
2417580	4.750	2.250	149.22	2435796	6.500	2.500	164.68	2442055	6.000	3.000	205.40
2417584	4.500	2.250	151.74	2435797	6.500	2.500	177.39	2442056	7.250	3.000	217.54
2417585	4.500	2.250	146.17	2435798	4.500	2.500	162.95	2442058	7.250	3.000	324.95
2417617	115.00	65.00	364.47	2435799	7.250	2.500	195.46	2442059	7.250	3.000	210.16
2417618	140.00	95.00	301.58	2435800	4.750	2.500	154.61	2442060	6.250	3.000	113.87
2418916	3.500	2.250	173.30	2435801	5.500	2.500	170.03	2442061	6.250	3.000	159.83

All manufacturer's names, part numbers and descriptions are used for reference purposes only. We do not imply that any part shown is the product of these manufacturers.

INDUSTRIAL  
SEAL KITS

MOBILE  
SEAL KITS



CATERPILLAR

## KIT LISTING

## CATERPILLAR

Ref. Number RCAT-	BORE	ROD	\$	Ref. Number RCAT-	BORE	ROD	\$	Ref. Number RCAT-	BORE	ROD	\$
2442062	6.000	3.000	242.29	2456819	7.750	4.500	971.62	2463431	7.750	4.250	471.22
2442064	6.000	3.000	151.98	2456820	12.530	8.000	1135.75	2463432	7.750	4.250	466.88
2442065	5.250	3.000	206.97	2456821	12.500	8.000	1100.23	2463434	7.750	5.000	576.43
2442067	7.300	3.000	286.86	2456822	13.000	8.750	1256.56	2463435	7.750	5.000	364.63
2442069	8.250	3.000	359.18	2456823	4.000	2.750	951.23	2463437	10.500	5.500	654.93
2442070	4.750	3.000	196.33	2456824	5.500	3.500	151.93	2463438	10.530	5.500	852.11
2442071	4.750	3.000	199.87	2456825	5.500	3.500	248.44	2463439	7.000	5.750	231.22
2442072	5.250	3.000	208.74	2456826	8.250	3.500	282.85	2463440	8.250	5.750	730.87
2442073	5.250	3.000	159.20	2456827	8.250	3.500	393.16	2463442	8.250	6.000	697.25
2442074	5.000	3.000	83.53	2456828	6.000	3.500	269.32	2463443	7.500	6.000	445.57
2442075	4.750	3.000	234.20	2456829	6.000	3.500	222.56	2463445	7.500	6.000	488.73
2442076	7.250	3.000	235.09	2456830	8.250	3.500	205.32	2463446	11.000	7.000	707.52
2442079	5.500	3.250	130.56	2456831	7.500	3.500	338.97	2463448	10.000	7.000	575.87
2442080	5.500	3.250	163.23	2456832	8.500	3.500	347.14	2463450	11.000	7.000	578.11
2445647	6.000	3.750	452.42	2456834	7.500	3.500	187.69	2465907	3.750	2.250	418.84
2450579	5.500	3.250	368.88	2456835	8.250	3.500	304.55	2465909	2.750	1.500	70.03
2450580	8.250	3.250	204.39	2456836	7.500	3.500	266.28	2465910	4.000	1.500	88.38
2450581	7.000	3.250	257.78	2456837	8.250	3.500	257.86	2465911	2.500	1.500	51.23
2450582	7.000	3.250	292.61	2456839	7.250	3.500	299.67	2465912	2.750	1.500	52.03
2450584	8.250	3.250	267.73	2456840	4.500	3.500	292.43	2465913	3.000	1.500	64.72
2450585	7.000	3.250	142.90	2459835	6.000	3.750	370.64	2465914	3.500	1.500	96.40
2450586	7.000	3.250	264.85	2459838	6.500	3.750	261.76	2465915	3.500	1.500	121.94
2450588	9.250	3.250	258.48	2459839	6.500	3.750	275.90	2465916	2.250	1.500	41.15
2450589	9.250	3.250	265.32	2459840	7.750	3.750	274.37	2465917	3.500	1.500	152.28
2450590	9.250	3.250	280.99	2459842	140.00	100.00	343.71	2465919	3.250	1.500	109.15
2450593	8.250	3.250	277.87	2460635	10.000	3.500	403.50	2465922	3.000	1.500	104.92
2450594	7.750	3.250	267.07	2460636	4.500	3.500	258.17	2465923	3.000	1.500	128.81
2450596	7.250	3.250	227.08	2460637	10.500	3.500	369.45	2465925	3.000	1.875	277.39
2450597	6.500	3.250	290.89	2460638	8.250	3.500	176.79	2465926	3.250	1.875	99.58
2450599	8.250	3.250	246.92	2460640	180.00	130.00	613.74	2465927	3.000	1.875	310.39
2450600	9.250	3.250	325.08	2460641	6.500	4.000	238.17	2465928	4.000	2.125	194.25
2450601	5.500	3.250	400.57	2460643	6.500	4.000	383.02	2465929	4.000	2.125	129.86
2450602	9.250	3.250	205.94	2460644	10.000	4.000	404.88	2465931	4.000	2.125	166.09
2450603	9.250	3.250	319.24	2460645	10.000	4.000	277.42	2465933	4.000	2.125	191.22
2450605	8.250	3.250	238.17	2460648	9.250	4.000	339.07	2465935	120.00	85.00	445.24
2450606	6.500	3.250	211.89	2460649	10.500	4.000	405.04	2465936	125.00	85.00	342.19
2450607	9.250	3.250	161.26	2460650	6.000	4.000	435.93	2465937	130.00	85.00	361.35
2450609	9.250	3.250	240.57	2460652	9.250	4.000	356.08	2465938	120.00	85.00	326.16
2450611	6.500	3.250	223.81	2460653	7.000	4.000	194.10	2465939	120.00	85.00	316.29
2450612	5.500	3.250	93.63	2460655	7.000	4.000	262.48	2470257	130.00	90.00	347.44
2450613	7.250	3.250	200.75	2460657	7.000	4.000	336.07	2478995	110.00	80.00	641.69
2450614	7.250	3.250	249.69	2460658	6.000	4.000	286.96	2478998	120.00	85.00	458.98
2450617	6.000	3.250	175.09	2460659	8.500	4.000	218.46	2481162	140.00	100.00	433.62
2450619	7.250	3.250	282.87	2463425	4.500	4.000	246.52	2481163	140.00	100.00	375.89
2450620	6.250	3.250	274.47	2463426	4.500	4.000	187.69	2481164	140.00	90.00	354.90
2456815	4.000	1.250	83.59	2463427	8.500	4.000	306.09	2481165	140.00	100.00	321.14
2456817	7.750	4.500	912.56	2463429	6.500	4.250	229.95	2481168	150.00	105.00	330.47
2456818	7.750	4.500	736.57	2463430	6.500	4.250	244.56	2481171	160.00	110.00	369.48

All manufacturer's names, part numbers and descriptions are used for reference purposes only. We do not imply that any part shown is the product of these manufacturers.

**Tel.: (403) 279-1871**  
**Fax: (403) 279-1821**

**KITS 233**

**www.sealsonline.com**

**INDUSTRIAL  
SEAL KITS**

**MOBILE  
SEAL KITS**



**CATERPILLAR**

## KIT LISTING

## CATERPILLAR

Ref. Number RCAT-	BORE	ROD	\$	Ref. Number RCAT-	BORE	ROD	\$	Ref. Number RCAT-	BORE	ROD	\$
2481172	160.00	110.00	404.33	2860114	90.00	65.00	348.99	789/Front/PI-G	15.125	12.500	3392.26
2481173	160.00	110.00	392.95	2949581	5.000	2.250	215.37	789/Front/SI	15.125	12.500	4262.58
2481174	170.00	110.00	467.58	3E2200	4.250	2.500	147.63	789/Front/SI-G	15.125	12.500	3529.30
2481175	6.500	4.750	417.52	3E3293	5.250	3.000	175.46	793/Front/PI	16.125	13.500	4730.42
2481176	6.000	4.750	385.01	3E3297	3.250	1.875	97.31	793/Front/PI/SI	16.125	13.500	4794.53
2481178	7.250	4.750	292.00	3E3299	3.500	2.500	132.38	793/Front/PI/SI-G	16.125	13.500	3697.59
2481179	7.000	4.750	421.79	3E3300	4.250	2.500	106.09	793/Front/PI-G	16.125	13.500	3624.87
2481181	7.250	4.750	334.43	3E3303	6.500	4.000	290.63	793/Front/SI	16.125	13.500	4643.70
2481182	7.000	4.750	367.63	3E7456	7.750	5.250	471.52	793/Front/SI-G	16.125	13.500	3559.84
2481183	6.500	4.750	296.36	3E8877	4.500	2.375	175.42	7I0968	4.000	2.500	142.75
2481185	7.000	4.750	418.95	3E8878	5.000	2.750	179.80	7I1360	130.00	90.00	292.86
2481187	200.00	140.00	544.94	3E8880	8.250	5.750	714.08	7R6913	4.000	1.500	98.33
2481188	10.500	6.500	372.30	3E8882	4.750	3.000	196.33	7U2486	4.500	4.000	318.74
2481189	10.500	6.500	532.12	3E8883	4.750	3.000	199.87	7U2662	4.500	3.500	355.59
2481190	8.500	6.500	484.26	3E8887	7.750	5.000	443.37	7U5074	5.250	2.000	351.04
2481192	8.500	6.500	586.10	3E8889	6.000	3.500	169.13	7U6672	4.000	3.500	164.17
2481193	10.250	7.250	617.58	4I3665	120.00	85.00	309.03	7U8058	4.500	2.750	153.02
2481194	10.000	7.250	939.09	4I3668	140.00	100.00	303.80	7U8423	4.000	2.000	147.06
2481196	7.750	5.250	582.49	4I3790	120.00	85.00	445.24	7U8697	5.000	3.500	199.62
2481197	7.750	5.250	556.63	4I7664	100.00	65.00	201.87	7U9545	4.500	2.000	305.03
2481198	10.500	5.500	759.92	4I8913	110.00	75.00	287.29	7X0863	6.250	3.500	166.88
2502485	140.00	100.00	417.41	4I8914	100.00	65.00	201.78	7X2451	4.250	2.750	109.48
2502486	130.00	90.00	382.00	4I9302	160.00	110.00	369.48	7X2485	7.750	4.500	736.57
2502487	120.00	85.00	136.15	4I9390	130.00	95.00	361.75	7X2653	5.500	2.500	160.39
2522423	180.00	130.00	489.83	5130/TRACK ADJUST	7.000	6.000	248.57	7X2654	4.000	2.500	108.14
2522425	190.00	130.00	523.23	5E5629	-	-	160.03	7X2656	6.000	2.500	159.19
2522427	220.00	150.00	788.84	5E8597	3.000	1.500	90.53	7X2657	6.500	2.500	220.61
2525105	5.000	3.250	190.21	5I3047	120.00	80.00	241.73	7X2658	5.000	2.630	172.02
2526101	160.00	90.00	327.35	5I8892	200.00	140.00	478.21	7X2659	4.000	2.500	154.77
2535204	4.250	2.500	54.18	5I8893	220.00	150.00	788.84	7X2660	4.750	2.500	177.33
2550913	5.500	3.250	368.88	5S9799	7.750	4.500	912.56	7X2661	7.250	2.500	178.63
2567093	170.00	100.00	424.22	5U5413	4.500	3.500	303.92	7X2662	6.000	2.500	169.09
2578422	3.750	2.375	144.63	5U7775	5.500	3.500	317.74	7X2663	4.250	2.500	48.76
2580313	130.00	85.00	270.05	628409	4.000	2.500	112.09	7X2664	4.250	2.500	88.27
2580501	120.00	85.00	339.35	6C6091	160.00	95.00	332.53	7X2665	4.000	2.500	164.79
2580503	160.00	85.00	384.80	6C6156	170.00	100.00	461.25	7X2666	6.500	2.500	167.71
2590626	130.00	90.00	499.40	6E4057	-	-	130.15	7X2667	4.500	2.500	94.34
2590627	130.00	90.00	469.81	6I6858	100.00	70.00	270.30	7X2668	4.500	2.500	167.88
2590634	140.00	100.00	413.14	6U4788	5.500	3.500	317.46	7X2669	6.000	2.500	230.79
2601518	5.500	2.750	147.41	6U9552	4.500	2.000	116.07	7X2670	3.750	2.500	90.47
2605317	110.00	80.00	334.37	730133	-	-	197.78	7X2671	5.500	2.500	146.25
2605318	110.00	75.00	326.16	768B/REAR	8.500	7.000	227.30	7X2672	5.500	2.500	87.65
2605319	140.00	75.00	382.00	769B/HOIST	5, 6, 7	3.5, 5.5, 6.5	572.45	7X2673	4.750	2.500	176.13
2605320	140.00	75.00	380.92	773/REAR	8.500	7.000	213.42	7X2674	6.000	2.500	127.59
2645751	170.00	110.00	449.47	777D/STEERING	3.500	2.500	94.55	7X2675	5.000	2.500	122.67
2645757	170.00	110.00	442.02	789/Front/PI	15.125	12.500	4276.38	7X2676	6.500	2.500	108.02
2748318	130.00	70.00	345.30	789/Front/PI/SI	15.125	12.500	4590.77	7X2677	4.750	2.000	115.55
2860113	100.00	70.00	330.16	789/Front/PI/SI-G	15.125	12.500	3660.53	7X2678	6.500	2.500	108.02

All manufacturer's names, part numbers and descriptions are used for reference purposes only. We do not imply that any part shown is the product of these manufacturers.

INDUSTRIAL  
SEAL KITS

MOBILE  
SEAL KITS



CATERPILLAR

## KIT LISTING

## CATERPILLAR

Ref. Number RCAT-	BORE	ROD	\$	Ref. Number RCAT-	BORE	ROD	\$	Ref. Number RCAT-	BORE	ROD	\$
7X2679	6.000	2.500	136.41	7X2728	8.250	3.500	172.73	7X2798	3.750	2.250	74.93
7X2680	6.000	2.750	135.26	7X2729	5.000	2.250	160.28	7X2799	9.250	4.000	353.23
7X2681	7.250	2.750	112.15	7X2730	7.500	3.500	157.99	7X2800	4.000	2.000	130.35
7X2682	5.000	2.750	154.15	7X2731	6.500	3.750	255.76	7X2801	8.250	3.250	241.25
7X2683	4.500	2.750	180.37	7X2734	8.500	4.000	299.06	7X2802	4.000	2.250	90.52
7X2684	6.290	2.750	151.61	7X2736	2.750	1.500	124.79	7X2803	6.000	2.750	169.22
7X2685	4.500	2.750	162.15	7X2737	3.000	1.500	107.22	7X2804	6.500	2.750	211.75
7X2686	6.500	2.750	119.19	7X2738	4.000	1.500	86.35	7X2805	4.500	2.000	129.21
7X2687	7.250	2.750	163.30	7X2739	2.500	1.500	55.82	7X2806	3.500	2.000	119.79
7X2688	6.250	2.750	121.96	7X2740	3.500	2.250	138.44	7X2807	3.750	1.750	98.17
7X2689	6.500	2.750	158.96	7X2741	3.250	1.500	71.57	7X2808	3.750	2.370	79.60
7X2690	5.500	2.750	98.26	7X2742	8.500	4.000	213.44	7X2809	11.500	7.000	409.22
7X2691	7.000	2.750	144.72	7X2745	3.000	1.500	107.22	7X2810	10.000	4.000	227.88
7X2692	6.000	2.500	162.18	7X2746	3.500	1.500	117.11	7X2811	10.000	4.000	271.04
7X2693	6.500	2.000	287.43	7X2747	5.000	2.250	184.46	7X2812	3.500	1.500	102.71
7X2694	6.500	3.000	156.84	7X2748	4.500	2.250	106.22	7X2813	5.500	3.000	224.14
7X2695	8.250	3.000	350.94	7X2749	2.750	1.500	58.30	7X2814	6.000	3.750	196.04
7X2696	6.500	3.000	274.24	7X2750	4.250	2.250	112.95	7X2815	4.750	2.250	95.48
7X2697	6.250	3.000	156.16	7X2751	3.000	1.500	63.23	7X2816	5.000	4.000	249.63
7X2698	6.000	3.000	183.93	7X2752	3.500	1.500	94.18	7X2818	3.500	2.250	89.07
7X2699	7.250	3.000	212.55	7X2755	4.000	2.000	134.90	7X2819	4.250	2.000	103.78
7X2701	6.250	3.000	111.26	7X2756	5.250	3.000	124.83	7X2820	2.750	1.750	78.13
7X2702	7.300	3.000	280.28	7X2757	6.000	3.250	264.20	7X2821	3.250	2.000	138.31
7X2703	8.250	3.250	232.69	7X2760	3.000	2.000	63.49	7X2822	3.500	2.000	94.34
7X2704	7.000	3.250	139.61	7X2762	3.500	1.750	98.79	7X2824	5.000	2.750	117.39
7X2705	5.500	3.250	254.70	7X2763	5.000	2.000	133.73	7X2825	3.000	1.750	49.22
7X2706	7.750	3.250	263.31	7X2764	3.250	1.750	63.04	7X2826	2.250	1.500	40.21
7X2707	9.250	3.250	341.74	7X2765	6.500	4.000	232.69	7X2827	2.500	1.750	99.87
7X2708	9.250	3.250	201.20	7X2766	4.250	2.000	43.58	7X2828	2.750	1.750	84.99
7X2709	5.500	3.250	159.48	7X2767	3.250	2.000	63.39	7X2836	6.000	2.500	253.64
7X2710	7.000	3.250	255.96	7X2768	5.000	2.000	87.55	7X7718	6.500	4.750	248.03
7X2711	6.500	3.250	207.01	7X2769	3.500	2.000	111.45	7X7719	6.500	4.750	262.30
7X2712	5.500	3.250	91.48	7X2770	4.500	2.000	96.69	7X7735	6.000	3.500	217.45
7X2713	6.500	3.250	131.94	7X2773	4.750	2.500	176.13	7X7938	3.750	2.000	103.28
7X2714	5.500	3.250	159.48	7X2782	4.000	2.000	174.94	7Y4698	150.00	105.00	331.95
7X2715	8.250	3.250	261.58	7X2783	3.500	2.000	101.66	7Y4970	170.00	110.00	399.08
7X2716	9.250	3.250	157.55	7X2784	3.500	1.750	55.62	7Y5145	130.00	85.00	263.87
7X2717	8.250	3.250	199.70	7X2787	3.750	2.000	89.15	7Y5147	130.00	95.00	295.08
7X2718	7.250	3.250	196.13	7X2788	5.000	2.000	110.73	8C3316	3.500	1.500	53.56
7X2719	8.500	3.500	185.44	7X2789	4.000	2.000	100.71	8C3406	4.000	2.500	108.14
7X2720	8.250	3.500	178.37	7X2790	4.000	1.750	91.78	8C4398	7.000	5.750	352.28
7X2721	8.250	3.500	287.44	7X2791	3.000	2.000	87.47	8C5788	12.250	7.250	1066.10
7X2722	7.500	3.500	183.39	7X2792	3.500	2.000	86.65	8C6707	6.500	2.000	287.43
7X2723	10.500	3.500	369.45	7X2793	10.500	4.000	495.77	8I0653	-	-	209.45
7X2724	8.250	3.500	200.60	7X2794	6.000	3.750	381.59	8T1370	4.000	2.000	51.89
7X2725	8.250	3.500	384.13	7X2795	4.000	2.250	104.22	8T1371	4.000	1.750	49.43
7X2726	5.500	3.500	148.44	7X2796	9.250	2.750	239.25	8T1372	3.500	1.500	45.46
7X2727	8.250	3.500	339.94	7X2797	5.000	2.000	70.00	8T1373	3.000	2.000	39.32

All manufacturer's names, part numbers and descriptions are used for reference purposes only. We do not imply that any part shown is the product of these manufacturers.

**Tel.: (604) 278-6808**  
**Fax: (604) 278-6180**

**KITS 235**

**www.sealsonline.com**

INDUSTRIAL  
SEAL KITS

MOBILE  
SEAL KITS



CATERPILLAR



## KIT LISTING

## CATERPILLAR

Ref. Number RCAT-	BORE	ROD	\$	Ref. Number RCAT-	BORE	ROD	\$	Ref. Number RCAT-	BORE	ROD	\$
8T1374	5.500	2.500	92.19	8T1422	6.000	2.500	115.57	8T1534	4.500	2.500	63.84
8T1375	5.000	2.630	66.43	8T1423	7.500	3.500	301.11	8T1541	3.750	1.750	121.88
8T1376	6.500	2.500	78.54	8T1424	6.500	2.500	262.19	8T1542	3.750	2.370	144.63
8T1377	8.250	5.000	715.25	8T1425	5.000	2.250	212.35	8T1543	9.500	5.500	419.38
8T1378	4.000	2.500	67.06	8T1426	5.500	3.250	213.36	8T1544	11.500	7.000	668.43
8T1379	8.250	3.250	324.79	8T1428	5.250	3.000	124.83	8T1545	7.250	4.750	285.31
8T1380	3.500	2.000	52.16	8T1429	4.250	2.500	157.44	8T1546	10.000	4.000	463.18
8T1381	4.750	2.500	76.48	8T1430	9.250	3.250	145.05	8T1547	10.000	4.000	442.51
8T1382	4.000	1.500	36.83	8T1431	4.500	2.000	159.99	8T1548	3.500	1.500	47.35
8T1383	6.500	2.750	82.48	8T1432	10.500	4.000	495.77	8T1549	5.500	3.000	177.42
8T1384	8.500	4.000	301.04	8T1434	6.000	3.750	452.42	8T1551	7.250	3.000	178.13
8T1385	5.000	2.250	93.79	8T1435	3.000	1.500	43.16	8T1553	6.000	2.790	111.53
8T1386	4.000	2.000	80.31	8T1438	4.250	2.500	61.96	8T1554	6.500	2.750	136.01
8T1387	1.500	0.750	64.67	8T1439	4.000	2.250	62.86	8T1555	6.500	3.250	175.19
8T1388	3.500	1.750	45.68	8T1446	5.000	2.000	171.02	8T1556	6.500	3.750	331.66
8T1389	4.000	2.375	46.99	8T1448	10.500	3.500	431.66	8T1558	8.250	5.750	610.22
8T1390	5.000	2.000	79.87	8T1451	6.250	3.000	92.52	8T1559	8.250	3.500	110.90
8T1391	6.000	3.250	91.48	8T1455	5.500	3.250	300.86	8T1563	5.500	3.250	250.23
8T1392	3.250	1.750	114.83	8T1456	10.500	6.500	363.76	8T1566	6.500	3.250	175.27
8T1393	8.500	3.500	357.51	8T1457	7.000	4.000	189.64	8T1567	7.000	4.750	235.38
8T1394	7.000	3.250	229.99	8T1461	6.500	4.250	224.66	8T1772	4.500	2.500	116.12
8T1395	5.000	2.250	63.41	8T1462	6.500	4.750	199.70	8T1774	5.500	3.250	267.32
8T1396	4.500	2.250	55.40	8T1464	4.300	2.500	52.93	8T1907	6.000	3.750	442.80
8T1397	2.500	1.500	85.18	8T1466	4.000	2.500	64.63	8T1908	6.000	4.750	215.04
8T1398	5.500	3.250	204.70	8T1467	8.250	3.500	377.85	8T1909	6.000	5.000	333.45
8T1399	7.750	3.250	329.83	8T1468	8.250	3.500	123.14	8T2066	6.000	2.500	104.41
8T1400	6.500	3.000	79.71	8T1469	4.500	2.750	250.02	8T2166	8.250	3.250	130.78
8T1401	8.250	3.500	154.77	8T1470	4.500	2.750	250.02	8T2216	4.750	2.250	77.65
8T1402	2.750	1.500	48.92	8T1472	6.500	2.500	80.44	8T2289	5.000	4.000	132.23
8T1403	6.000	2.500	115.57	8T1473	3.750	2.250	141.93	8T2332	6.250	3.000	235.16
8T1404	7.250	2.750	108.85	8T1474	9.250	4.000	393.17	8T2582	10.250	7.250	617.58
8T1405	8.250	3.000	146.35	8T1475	7.750	4.500	971.62	8T2583	8.500	3.500	189.01
8T1406	5.000	2.500	70.60	8T1476	5.500	3.500	352.16	8T3015	3.750	2.500	144.90
8T1407	6.500	2.500	210.96	8T1478	7.000	3.250	179.73	8T3574	3.500	2.250	49.75
8T1408	6.500	3.000	79.71	8T1479	7.750	5.000	356.26	8T3575	4.250	2.000	44.69
8T1409	6.500	4.000	515.00	8T1480	4.000	1.250	81.67	8T3576	5.500	2.500	89.22
8T1410	8.250	3.500	145.31	8T1481	4.000	2.000	161.94	8T3577	5.500	2.500	203.27
8T1411	9.250	3.250	166.89	8T1484	4.000	2.250	61.89	8T3589	3.250	1.875	79.78
8T1412	4.250	2.000	43.58	8T1488	6.000	2.500	102.43	8T3590	3.250	2.000	148.07
8T1413	4.250	2.250	65.53	8T1489	6.000	3.000	126.27	8T3591	3.500	2.120	103.56
8T1414	3.250	2.000	125.97	8T1494	5.500	2.750	182.90	8T3593	4.750	2.125	70.08
8T1415	8.250	6.000	292.08	8T1525	6.290	2.750	96.02	8T3648	9.250	3.250	145.05
8T1416	7.250	2.500	89.87	8T1526	6.000	2.750	203.87	8T3649	7.500	3.500	351.48
8T1417	7.250	2.750	112.15	8T1527	5.000	2.750	73.03	8T3739	8.250	3.250	286.29
8T1418	6.000	2.500	121.00	8T1528	6.500	2.750	230.55	8T3740	7.300	3.000	117.64
8T1419	5.000	2.000	56.17	8T1529	7.000	2.750	238.43	8T3741	6.500	2.750	281.83
8T1420	3.500	2.000	54.20	8T1530	6.250	2.750	281.21	8T3852	3.000	1.870	190.44
8T1421	4.750	2.000	82.30	8T1532	3.500	2.000	62.61	8T4770	7.250	3.250	94.52

All manufacturer's names, part numbers and descriptions are used for reference purposes only. We do not imply that any part shown is the product of these manufacturers.

INDUSTRIAL  
SEAL KITS

MOBILE  
SEAL KITS



CATERPILLAR

## KIT LISTING

## CATERPILLAR

Ref. Number RCAT-	BORE	ROD	\$	Ref. Number RCAT-	BORE	ROD	\$	Ref. Number RCAT-	BORE	ROD	\$
8T4771	1.500	0.750	81.39	8U4782	115.00	70.00	348.32	9X2400	4.000	2.125	117.64
8T4772	7.000	4.000	310.53	9T0418	2.000	1.000	81.94	9X2473	6.500	2.750	132.87
8T4891	4.750	2.500	184.11	9T0741	1.500		104.45	9X2644	7.750	3.500	228.85
8T4892	3.500	1.500	117.11	9T4918	1.500	-	182.44	9X6024	6.500	2.500	151.48
8T4938	-	-	141.47	9X2020	3.750	2.750	107.46	9X6027	5.500	2.500	156.11
8T4939	11.500	7.250	766.96	9X2031	3.250	2.250	260.81	9X6254	6.500	4.250	238.93
8T4940	5.000	2.750	84.88	9X2047	5.500	2.500	106.80	9X6261	6.000	4.000	280.37
8T6397	2.250	1.500	80.00	9X2050	5.500	2.500	99.41	9X6392	5.000	2.250	157.98
8T9042	8.250	5.000	449.34								

INDUSTRIAL  
SEAL KITS

MOBILE  
SEAL KITS



CATERPILLAR

All manufacturer's names, part numbers and descriptions are used for reference purposes only. We do not imply that any part shown is the product of these manufacturers.

Tel.: (418) 688-3202  
Fax: (418) 688-4272

**KITS 237**

[www.sealsonline.com](http://www.sealsonline.com)

INDUSTRIAL  
SEAL KITS

MOBILE  
SEAL KITS



CATERPILLAR



All manufacturer's names, part numbers and descriptions are used for reference purposes only. We do not imply that any part shown is the product of these manufacturers.

## CATERPILLAR INDEX FOR PARTS

INDUSTRIAL  
SEAL KITS

MOBILE  
SEAL KITS



CATERPILLAR

	<b>ROD WIPERS</b>	<b>KITS 240</b>
	<b>ROD SEALS</b>	<b>KITS 249</b>
	<b>PISTON SEALS</b>	<b>KITS 257</b>
	<b>VEE PACKINGS</b>	<b>KITS 264</b>
	<b>GUIDING ELEMENTS</b>	<b>KITS 266</b>
	<b>O-RING KITS</b>	<b>KITS 278</b>
	<b>HYD. HOSE COUPLING SEALS</b>	<b>KITS 279</b>
	<b>METAL BEARINGS</b>	<b>KITS 280</b>
	<b>OVERSIZE HEAD SEALS</b>	<b>KITS 281</b>
	<b>LOCK NUTS</b>	<b>KITS 282</b>
	<b>RETAINING RINGS</b>	<b>KITS 283</b>

All manufacturer's names, part numbers and descriptions are used for reference purposes only. We do not imply that any part shown is the product of these manufacturers.

**Tel.: (514) 334-2220**  
**Fax: (514) 333-8329**

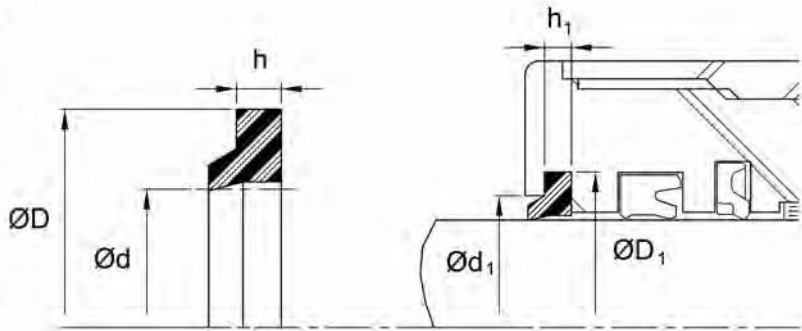
**KITS 239**

[www.sealsonline.com](http://www.sealsonline.com)

## CAT PARTS - ROD WIPERS - INCH

## TYPE "AN"

### AN - Rod Wipers Polyurethane AU 90A



Temperature: -40/189F [-40/87C]

Pressure: N/A

Ref. Number	Rod Diameter		Nominal Seal Dimensions			Housing Dimensions					\$	
		Tol.	d	D	h	d1	Tol.	D1	Tol.	h1		Tol.
RCAT-3E4103	1.500	+0.000 / -0.002	1.500			1.670	+0.010 / -0.010	1.802	+0.004 / -0.000	0.110	+0.002 / -0.002	1.40
RCAT-3E4104	1.625	+0.000 / -0.002	1.625			1.790	+0.010 / -0.010	1.927	+0.004 / -0.000	0.110	+0.002 / -0.002	1.88
RCAT-3E4105	1.750	+0.000 / -0.002	1.750			1.920	+0.010 / -0.010	2.052	+0.004 / -0.000	0.110	+0.002 / -0.002	1.94
RCAT-3E4106	2.000	+0.000 / -0.002	2.000			2.180	+0.010 / -0.010	2.302	+0.004 / -0.000	0.110	+0.002 / -0.002	2.04
RCAT-3E4107	2.250	+0.000 / -0.002	2.250			2.430	+0.010 / -0.010	2.552	+0.004 / -0.000	0.110	+0.002 / -0.002	2.15
RCAT-3E4108	2.500	+0.000 / -0.002	2.500			2.680	+0.010 / -0.010	2.802	+0.004 / -0.000	0.110	+0.002 / -0.002	2.42
RCAT-3E4109	2.750	+0.000 / -0.002	2.750			2.960	+0.010 / -0.010	3.114	+0.004 / -0.000	0.120	+0.002 / -0.002	2.58
RCAT-3E4110	3.000	+0.000 / -0.002	3.000			3.210	+0.010 / -0.010	3.364	+0.004 / -0.000	0.120	+0.002 / -0.002	3.23
RCAT-3E4111	3.375	+0.000 / -0.002	3.375			3.580	+0.010 / -0.010	3.739	+0.004 / -0.000	0.120	+0.002 / -0.002	3.87
RCAT-3E4112	3.500	+0.000 / -0.002	3.500			3.710	+0.010 / -0.010	3.864	+0.004 / -0.000	0.120	+0.002 / -0.002	4.09
RCAT-3E4113	3.750	+0.000 / -0.002	3.750			3.960	+0.010 / -0.010	4.114	+0.004 / -0.000	0.120	+0.002 / -0.002	4.19
RCAT-3E4114	4.000	+0.000 / -0.002	4.000			4.240	+0.010 / -0.010	4.427	+0.004 / -0.000	0.140	+0.002 / -0.002	4.30
RCAT-3E4115	4.250	+0.000 / -0.002	4.250			4.490	+0.010 / -0.010	4.677	+0.004 / -0.000	0.140	+0.002 / -0.002	4.89
RCAT-3E4116	4.500	+0.000 / -0.003	4.500			4.740	+0.010 / -0.010	4.927	+0.005 / -0.000	0.140	+0.002 / -0.002	5.11
RCAT-3E4117	4.750	+0.000 / -0.003	4.750			4.990	+0.010 / -0.010	5.177	+0.005 / -0.000	0.140	+0.002 / -0.002	5.27
RCAT-3E4118	5.000	+0.000 / -0.003	5.000			5.240	+0.010 / -0.010	5.427	+0.005 / -0.000	0.140	+0.002 / -0.002	5.48
RCAT-3E4119	5.250	+0.000 / -0.003	5.250			5.490	+0.010 / -0.010	5.677	+0.005 / -0.000	0.140	+0.002 / -0.002	5.64
RCAT-3E4120	5.750	+0.000 / -0.003	5.750			6.020	+0.010 / -0.010	6.239	+0.005 / -0.000	0.150	+0.002 / -0.002	5.86
RCAT-3E4121	6.000	+0.000 / -0.003	6.000			6.270	+0.010 / -0.010	6.489	+0.005 / -0.000	0.150	+0.002 / -0.002	6.18
RCAT-3E4122	6.500	+0.000 / -0.003	6.500			6.770	+0.010 / -0.010	6.989	+0.005 / -0.000	0.150	+0.002 / -0.002	6.88
RCAT-3E4123	6.750	+0.000 / -0.003	6.750			7.020	+0.010 / -0.010	7.239	+0.005 / -0.000	0.150	+0.002 / -0.002	8.17

All manufacturer's names, part numbers and descriptions are used for reference purposes only. We do not imply that any part shown is the product of these manufacturers.

INDUSTRIAL  
SEAL KITS

MOBILE  
SEAL KITS

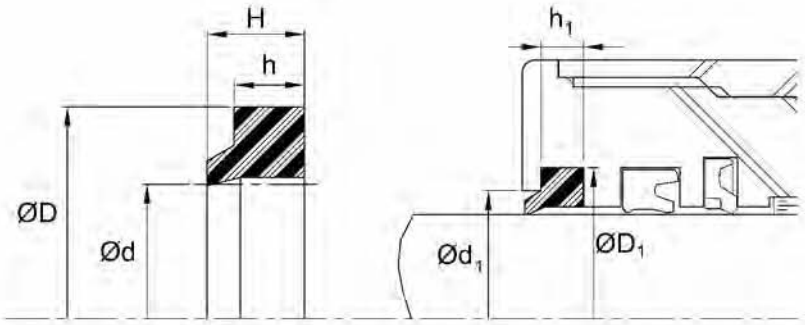


CATERPILLAR

## TYPE "D"

## CAT PARTS - ROD WIPERS - INCH

### D - Rod Wipers Polyurethane AU 90A



Temperature: -40/189F [-40/87C]

Pressure: N/A

Ref. Number	Rod Diameter	Nominal Seal Dimensions			Housing Dimensions				\$		
	Tol.	d	D	h	d1	Tol.	D1	Tol.		h1	Tol.
RCAT-5J2274	0.625	+0.000 / -0.002	0.625		0.790	+0.010 / -0.010	0.880	+0.003 / -0.003	0.130	+0.002 / -0.002	2.04
RCAT-6J1879	0.750	+0.000 / -0.003	0.750		1.000	+0.010 / -0.010	1.130	+0.003 / -0.003	0.190	+0.002 / -0.002	1.61
RCAT-6J1890	1.000	+0.000 / -0.003	1.000		1.250	+0.010 / -0.010	1.380	+0.003 / -0.003	0.190	+0.002 / -0.002	1.72
RCAT-3E4138	1.125	+0.000 / -0.003	1.125		1.370	+0.010 / -0.010	1.500	+0.003 / -0.003	0.190	+0.002 / -0.002	1.88
RCAT-3E4139	1.250	+0.000 / -0.003	1.250		1.490	+0.010 / -0.010	1.620	+0.003 / -0.003	0.190	+0.002 / -0.002	2.04
RCAT-3E4140	1.375	+0.000 / -0.003	1.375		1.620	+0.010 / -0.010	1.750	+0.003 / -0.003	0.190	+0.002 / -0.002	2.26
RCAT-3E4141	1.500	+0.000 / -0.003	1.500		1.740	+0.010 / -0.010	1.870	+0.003 / -0.003	0.190	+0.002 / -0.002	2.42
RCAT-5J6795	1.500	+0.000 / -0.003	1.500		1.750	+0.010 / -0.010	1.880	+0.003 / -0.003	0.190	+0.002 / -0.002	2.42
RCAT-3E4163	1.625	+0.000 / -0.003	1.625		1.740	+0.010 / -0.010	2.000	+0.003 / -0.003	0.190	+0.002 / -0.002	2.53
RCAT-3E4142	1.750	+0.000 / -0.003	1.750		1.990	+0.010 / -0.010	2.120	+0.003 / -0.003	0.190	+0.002 / -0.002	2.63
RCAT-7U7648	1.750	+0.000 / -0.003	1.750				2.130	+0.003 / -0.003			0/R
RCAT-8T5431	1.750	+0.000 / -0.003	1.750		2.130	+0.010 / -0.010			0.190	+0.002 / -0.002	0/R
RCAT-3G4721	1.875	+0.000 / -0.003	1.875		2.130	+0.010 / -0.010	2.250	+0.003 / -0.003	0.190	+0.002 / -0.002	4.03
RCAT-3E4143	2.000	+0.000 / -0.003	2.000		2.330	+0.010 / -0.010	2.500	+0.003 / -0.003	0.250	+0.002 / -0.002	3.06
RCAT-4T0415	2.000	+0.000 / -0.003	2.000		2.330	+0.010 / -0.010	2.500	+0.003 / -0.003	0.250	+0.002 / -0.002	3.06
RCAT-5U3693	2.000	+0.000 / -0.003	2.000		2.500	+0.010 / -0.010			0.250	+0.002 / -0.002	0/R
RCAT-1K5354	2.010	+0.000 / -0.003	2.010		2.370	+0.010 / -0.010			0.180	+0.002 / -0.002	0/R
RCAT-3E4144	2.250	+0.000 / -0.003	2.250		2.580	+0.010 / -0.010	2.750	+0.003 / -0.003	0.250	+0.002 / -0.002	3.49
RCAT-6J0217	2.250	+0.000 / -0.003	2.250		2.620	+0.010 / -0.010	2.750	+0.003 / -0.003	0.250	+0.002 / -0.002	3.49
RCAT-3E4167	2.375	+0.000 / -0.003	2.375		2.700	+0.010 / -0.010	2.870	+0.003 / -0.003	0.250	+0.002 / -0.002	4.89
RCAT-5J8016	2.375	+0.000 / -0.003	2.375		2.710	+0.010 / -0.010	2.880	+0.003 / -0.003	0.250	+0.002 / -0.002	4.89
RCAT-3E4145	2.500	+0.000 / -0.003	2.500		2.830	+0.010 / -0.010	3.000	+0.003 / -0.003	0.250	+0.002 / -0.002	3.66
RCAT-5J8156	2.500	+0.000 / -0.003	2.500		2.830	+0.010 / -0.010	3.000	+0.003 / -0.003	0.250	+0.002 / -0.002	3.66
RCAT-3G4719	2.625	+0.000 / -0.003	2.625		2.960	+0.010 / -0.010	3.130	+0.003 / -0.003	0.250	+0.002 / -0.002	5.21
RCAT-3E4169	2.750	+0.000 / -0.003	2.750		3.080	+0.010 / -0.010	3.250	+0.003 / -0.003	0.250	+0.002 / -0.002	4.09
RCAT-5J7036	2.750	+0.000 / -0.003	2.750		3.080	+0.010 / -0.010	3.250	+0.003 / -0.003	0.250	+0.002 / -0.002	4.09
RCAT-3E4146	3.000	+0.000 / -0.004	3.000		3.330	+0.010 / -0.010	3.500	+0.003 / -0.003	0.250	+0.002 / -0.002	4.84
RCAT-5J7030	3.000	+0.000 / -0.004	3.000		3.330	+0.010 / -0.010	3.500	+0.003 / -0.003	0.250	+0.002 / -0.002	4.84
RCAT-5U2818	3.000	+0.000 / -0.004	3.000				3.500	+0.003 / -0.003	0.250	+0.002 / -0.002	0/R
RCAT-5J7034	3.250	+0.000 / -0.004	3.250		3.580	+0.010 / -0.010	3.750	+0.003 / -0.003	0.250	+0.002 / -0.002	5.38
RCAT-3E4171	3.375	+0.000 / -0.004	3.375		3.700	+0.010 / -0.010	3.870	+0.003 / -0.003	0.250	+0.002 / -0.002	7.36
RCAT-3E4147	3.500	+0.000 / -0.004	3.500		3.830	+0.010 / -0.010	4.000	+0.003 / -0.003	0.250	+0.002 / -0.002	8.33
RCAT-5J7032	3.500	+0.000 / -0.004	3.500		3.830	+0.010 / -0.010	4.000	+0.003 / -0.003	0.250	+0.002 / -0.002	8.33
RCAT-5U3529	3.500	+0.000 / -0.004	3.500				4.000	+0.003 / -0.003	0.250	+0.002 / -0.002	0/R

All manufacturer's names, part numbers and descriptions are used for reference purposes only. We do not imply that any part shown is the product of these manufacturers.

Tel.: (905) 362-0889  
Fax: (888) 238-1664

**KITS 241**

[www.sealsonline.com](http://www.sealsonline.com)

INDUSTRIAL  
SEAL KITS

MOBILE  
SEAL KITS



CATERPILLAR

## CAT PARTS - ROD WIPERS - INCH

## TYPE "D"

Ref. Number	Rod Diameter		Nominal Seal Dimensions			Housing Dimensions				\$		
		Tol.	d	D	h	d1	Tol.	D1	Tol.		h1	Tol.
RCAT-3E4172	3.750	+0.000 / -.004	3.750			4.080	+0.010 / -.010	4.250	+0.003 / -.003	0.250	+0.002 / -.002	9.25
RCAT-4T5540	3.750	+0.000 / -.004	3.750			4.080	+0.010 / -.010	4.250	+0.003 / -.003	0.250	+0.002 / -.002	9.25
RCAT-1389739	4.000	+0.000 / -.004	4.000			4.500	+0.010 / -.010			0.250	+0.002 / -.002	0/R
RCAT-3E4148	4.000	+0.000 / -.004	4.000			4.330	+0.010 / -.010	4.500	+0.003 / -.003	0.250	+0.002 / -.002	10.59
RCAT-5J2221	4.000	+0.000 / -.004	4.000			4.330	+0.010 / -.010	4.500	+0.003 / -.003	0.250	+0.002 / -.002	10.59
RCAT-4T1637	4.250	+0.000 / -.004	4.250			4.610	+0.010 / -.010	4.750	+0.003 / -.003	0.250	+0.002 / -.002	10.91
RCAT-7U4138	4.250	+0.000 / -.004	4.250					4.750	+0.003 / -.003	0.250	+0.002 / -.002	0/R
RCAT-3G8505	4.500	+0.000 / -.004	4.500			5.000	+0.010 / -.010	5.250	+0.003 / -.003	0.380	+0.002 / -.002	17.85
RCAT-3E4149	5.000	+0.000 / -.004	5.000			5.490	+0.010 / -.010	5.750	+0.003 / -.003	0.370	+0.002 / -.002	21.77
RCAT-9J2547	5.000	+0.000 / -.004	5.000			5.500	+0.010 / -.010	5.750	+0.003 / -.003	0.380	+0.002 / -.002	21.77
RCAT-4T5663	5.250	+0.000 / -.004	5.250			5.750	+0.010 / -.010	6.000	+0.003 / -.003	0.380	+0.002 / -.002	24.03
RCAT-3E4174	5.500	+0.000 / -.004	5.500			5.990	+0.010 / -.010	6.250	+0.003 / -.003	0.370	+0.002 / -.002	26.55
RCAT-6J3073	5.500	+0.000 / -.004	5.500			5.870	+0.010 / -.010	6.130	+0.003 / -.003	0.380	+0.002 / -.002	41.12
RCAT-1U2708	6.000	+0.000 / -.004	6.000			6.500	+0.010 / -.010	6.750	+0.003 / -.003	0.380	+0.002 / -.002	24.83
RCAT-7J3319	6.125	+0.000 / -.004	6.125			6.630	+0.010 / -.010	6.875	+0.003 / -.003	0.380	+0.002 / -.002	33.76
RCAT-1214174	6.250	+0.000 / -.004	6.250			7.000	+0.010 / -.010	7.410	+0.003 / -.003	0.380	+0.002 / -.002	38.65
RCAT-6J0542	6.500	+0.000 / -.004	6.500			7.170	+0.010 / -.010	7.500	+0.003 / -.003	0.400	+0.002 / -.002	47.73
RCAT-5J2682	7.000	+0.000 / -.005	7.000			7.670	+0.010 / -.010	8.000	+0.003 / -.003	0.400	+0.002 / -.002	51.44
RCAT-9X7366	7.000	+0.000 / -.005	7.000			8.000	+0.010 / -.010			0.400	+0.002 / -.002	51.44
RCAT-4T4802	7.250	+0.000 / -.005	7.250			7.750	+0.010 / -.010	8.000	+0.003 / -.003	0.380	+0.002 / -.002	31.66
RCAT-7J3320	7.500	+0.000 / -.005	7.500			8.170	+0.010 / -.010	8.500	+0.003 / -.003	0.400	+0.002 / -.002	55.74
RCAT-1214172	7.750	+0.000 / -.005	7.750			8.250	+0.010 / -.010	8.500	+0.003 / -.003	0.400	+0.002 / -.002	34.78
RCAT-8J9934	8.500	+0.000 / -.005	8.500			9.000	+0.010 / -.010	9.250	+0.003 / -.003	0.400	+0.002 / -.002	36.66
RCAT-6E0252	8.750	+0.000 / -.005	8.750			9.250	+0.010 / -.010	9.500	+0.003 / -.003	0.380	+0.002 / -.002	37.79
RCAT-6J7694	9.000	+0.000 / -.005	9.000			9.500	+0.010 / -.010	9.750	+0.003 / -.003	0.400	+0.002 / -.002	38.38
RCAT-9X7367	9.000	+0.000 / -.005	9.000			9.500	+0.010 / -.010	9.750	+0.003 / -.003	0.400	+0.002 / -.002	38.38
RCAT-1214173	9.500	+0.000 / -.005	9.500			9.840	+0.010 / -.010	10.500	+0.003 / -.003	0.500	+0.002 / -.002	71.22
RCAT-4T4805	10.500	+0.000 / -.005	10.500			11.170	+0.010 / -.010	11.500	+0.003 / -.003	0.500	+0.002 / -.002	58.94
RCAT-1U4625	11.000	+0.000 / -.005	11.000			11.670	+0.010 / -.010	12.000	+0.003 / -.003	0.500	+0.002 / -.002	62.14
RCAT-9X7368	11.000	+0.000 / -.005	11.000			11.670	+0.010 / -.010	12.000	+0.003 / -.003	0.500	+0.002 / -.002	62.14
RCAT-1214171	11.500	+0.000 / -.005	11.500			12.170	+0.010 / -.010	12.500	+0.003 / -.003	0.500	+0.002 / -.002	75.25
RCAT-4T4130	12.500	+0.000 / -.005	12.500			13.170	+0.010 / -.010	13.500	+0.003 / -.003	0.500	+0.002 / -.002	81.49
RCAT-9X7369	12.500	+0.000 / -.005	12.500			13.170	+0.010 / -.010	13.500	+0.003 / -.003	0.500	+0.002 / -.002	81.49

All manufacturer's names, part numbers and descriptions are used for reference purposes only. We do not imply that any part shown is the product of these manufacturers.

INDUSTRIAL  
SEAL KITS

MOBILE  
SEAL KITS


CATERPILLAR

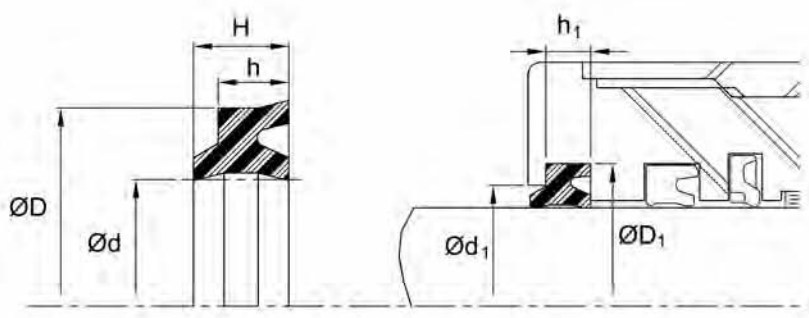
## TYPE "H"

## CAT PARTS - ROD WIPERS - INCH

### H - Rod Wipers

Polyurethane AU 90A





**Temperature: -40/189F [ -40/87C ]      Pressure: N/A**

Ref. Number	Rod Diameter	Nominal Seal Dimensions			Housing Dimensions				\$		
	Tol.	d	D	h	d1	Tol.	D1	Tol.		h1	Tol.
RCAT-3E4150	1.750 +.000 / -.001	1.750			1.890 +.010 / -.010		2.110 +.003 / -.003		0.220 +.002 / -.002		3.49
RCAT-3E4151	2.000 +.000 / -.001	2.000			2.140 +.010 / -.010		2.360 +.003 / -.003		0.220 +.002 / -.002		4.09
RCAT-3E4152	2.250 +.000 / -.001	2.250			2.390 +.010 / -.010		2.740 +.003 / -.003		0.280 +.002 / -.002		5.00
RCAT-3E4153	2.500 +.000 / -.001	2.500			2.640 +.010 / -.010		2.990 +.003 / -.003		0.280 +.002 / -.002		5.27
RCAT-3E4154	3.000 +.000 / -.002	3.000			3.130 +.010 / -.010		3.490 +.003 / -.003		0.280 +.002 / -.002		6.61
RCAT-3E4155	3.500 +.000 / -.002	3.500			3.640 +.010 / -.010		3.990 +.003 / -.003		0.280 +.002 / -.002		7.74
RCAT-3E4156	4.000 +.000 / -.002	4.000			4.140 +.010 / -.010		4.490 +.003 / -.003		0.280 +.002 / -.002		8.17
RCAT-3E4157	4.500 +.000 / -.002	4.500			4.640 +.010 / -.010		4.990 +.003 / -.003		0.280 +.002 / -.002		10.16
RCAT-3E4158	5.000 +.000 / -.002	5.000			5.140 +.010 / -.010		5.490 +.003 / -.003		0.280 +.002 / -.002		10.48

INDUSTRIAL SEAL KITS


MOBILE SEAL KITS

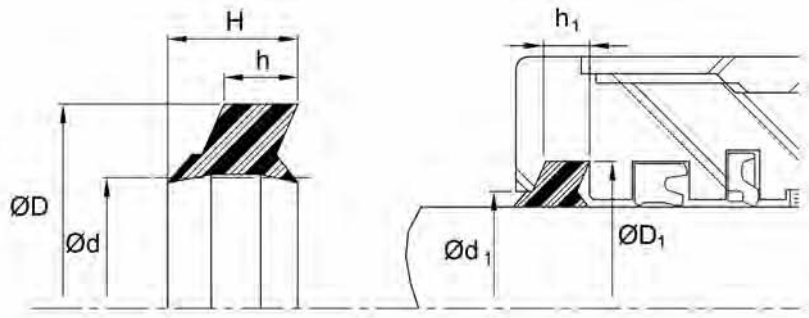
## TYPE "K"

## CAT PARTS - ROD WIPERS - INCH

### K - Rod Wipers

Polyurethane AU 90A





**Temperature: -40/189F [ -40/87C ]      Pressure: N/A**

Ref. Number	Rod Diameter	Nominal Seal Dimensions			Housing Dimensions				\$		
	Tol.	d	D	h	d1	Tol.	D1	Tol.		h1	Tol.
RCAT-3E4124	1.000 +.000 / -.002	1.000			1.080 +.010 / -.010		1.390 +.003 / -.003		0.190 +.002 / -.002		2.74
RCAT-3E4125	1.250 +.000 / -.002	1.250			1.330 +.010 / -.010		1.640 +.003 / -.003		0.190 +.002 / -.002		3.23
RCAT-3E4126	1.500 +.000 / -.002	1.500			1.580 +.010 / -.010		1.890 +.003 / -.003		0.190 +.002 / -.002		3.55
RCAT-3E4127	1.750 +.000 / -.002	1.750			1.830 +.010 / -.010		2.140 +.003 / -.003		0.190 +.002 / -.002		4.25
RCAT-3E4128	2.000 +.000 / -.002	2.000			2.080 +.010 / -.010		2.390 +.003 / -.003		0.190 +.002 / -.002		4.57
RCAT-3E4129	2.250 +.000 / -.002	2.250			2.410 +.010 / -.010		2.760 +.003 / -.003		0.260 +.002 / -.002		5.43



CATERPILLAR

All manufacturer's names, part numbers and descriptions are used for reference purposes only. We do not imply that any part shown is the product of these manufacturers.



## CAT PARTS - ROD WIPERS - INCH

## TYPE "K"


Ref. Number	Rod Diameter	Nominal Seal Dimensions			Housing Dimensions				\$				
	Tol.	d	D	h	d1	Tol.	D1	Tol.		h1	Tol.		
RCAT-3E4130	2.500	+0.00 / -.002	2.500				2.660	+0.010 / -.010	3.010	+0.003 / -.003	0.260	+0.002 / -.002	5.81
RCAT-3E4131	2.625	+0.000 / -.002	2.625				2.780	+0.010 / -.010	3.140	+0.003 / -.003	0.260	+0.002 / -.002	6.99
RCAT-3E4132	2.750	+0.000 / -.002	2.750				2.910	+0.010 / -.010	3.260	+0.003 / -.003	0.260	+0.002 / -.002	7.69
RCAT-3E4133	3.000	+0.000 / -.002	3.000				3.160	+0.010 / -.010	3.510	+0.003 / -.003	0.260	+0.002 / -.002	8.06
RCAT-3E4134	3.500	+0.000 / -.002	3.500				3.660	+0.010 / -.010	4.010	+0.003 / -.003	0.260	+0.002 / -.002	9.94
RCAT-3E4135	4.000	+0.000 / -.002	4.000				4.160	+0.010 / -.010	4.510	+0.003 / -.003	0.260	+0.002 / -.002	11.61
RCAT-3E4136	4.500	+0.000 / -.003	4.500				4.660	+0.010 / -.010	5.010	+0.003 / -.003	0.260	+0.002 / -.002	12.47
RCAT-3E4137	5.000	+0.000 / -.003	5.000				5.160	+0.010 / -.010	5.510	+0.003 / -.003	0.260	+0.002 / -.002	13.12

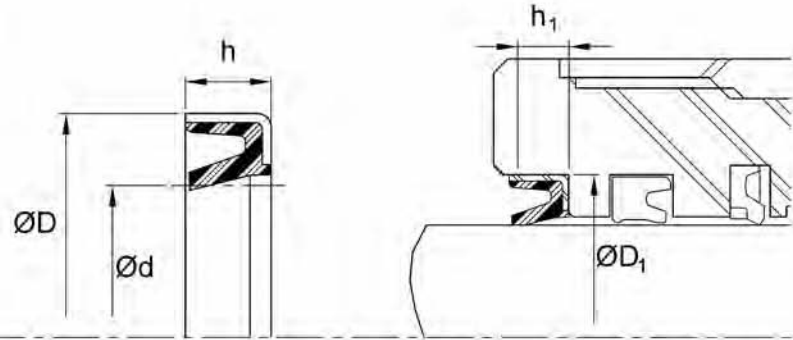
## CAT PARTS - ROD WIPERS - INCH

## TYPE "J"

### J - Rod Wipers

Polyurethane/Steel





**Temperature: -65/200F [ -54/94C ]      Pressure: N/A**

Ref. Number	Rod Diameter	Nominal Seal Dimensions			Housing Dimensions				\$		
	Tol.	d	D	h	d1	Tol.	D1	Tol.		h1	Tol.
RCAT-4J8982	1.250	+0.000 / -.003	1.250				1.750	+0.001 / -.001	0.291	+0.015 / -.000	5.48
RCAT-3E4160	1.250	+0.000 / -.003	1.250				1.750	+0.001 / -.001	0.312	+0.015 / -.000	6.34
RCAT-3E4159	1.375	+0.000 / -.003	1.375				1.875	+0.001 / -.001	0.312	+0.015 / -.000	6.77
RCAT-3E4161	1.500	+0.000 / -.003	1.500				2.000	+0.001 / -.001	0.312	+0.015 / -.000	6.83
RCAT-4J8979	1.500	+0.000 / -.003	1.500				2.250	+0.001 / -.001	0.413	+0.015 / -.000	7.10
RCAT-4T0486	1.625	+0.000 / -.003	1.625				2.125	+0.001 / -.001	0.350	+0.015 / -.000	7.63
RCAT-3E4162	1.750	+0.000 / -.003	1.750				2.250	+0.001 / -.001	0.312	+0.015 / -.000	7.69
RCAT-4J8980	1.750	+0.000 / -.003	1.750				2.437	+0.001 / -.001	0.413	+0.015 / -.000	7.79
RCAT-4T6777	1.875	+0.000 / -.003	1.875				2.562	+0.001 / -.001	0.413	+0.015 / -.000	10.70
RCAT-9D6583	2.000	+0.000 / -.003	2.000				2.500	+0.001 / -.001	0.250	+0.015 / -.000	8.22
RCAT-3E4164	2.000	+0.000 / -.003	2.000				2.500	+0.001 / -.001	0.312	+0.015 / -.000	8.39
RCAT-1K6981	2.000	+0.000 / -.003	2.000				2.687	+0.001 / -.001	0.413	+0.015 / -.000	8.71
RCAT-4T6125	2.125	+0.000 / -.003	2.125				2.875	+0.001 / -.001	0.413	+0.015 / -.000	9.14
RCAT-9D6584	2.250	+0.000 / -.003	2.250				2.750	+0.001 / -.001	0.250	+0.015 / -.000	9.35
RCAT-3E4165	2.250	+0.000 / -.003	2.250				2.750	+0.001 / -.001	0.312	+0.015 / -.000	9.78
RCAT-4J3515	2.250	+0.000 / -.003	2.250				3.000	+0.001 / -.001	0.413	+0.015 / -.000	10.16
RCAT-5J3937	2.250	+0.000 / -.003	2.250				3.125	+0.001 / -.001	0.290	+0.015 / -.000	0/R
RCAT-5H1513	2.250	+0.000 / -.003	2.250				3.250	+0.001 / -.001	0.540	+0.015 / -.000	0/R
RCAT-6J3892	2.375	+0.000 / -.003	2.375				3.125	+0.001 / -.001	0.413	+0.015 / -.000	10.54
RCAT-3E4166	2.500	+0.000 / -.003	2.500				3.000	+0.001 / -.001	0.312	+0.015 / -.000	11.02
RCAT-1K6982	2.500	+0.000 / -.003	2.500				3.250	+0.001 / -.001	0.413	+0.015 / -.000	11.40

All manufacturer's names, part numbers and descriptions are used for reference purposes only. We do not imply that any part shown is the product of these manufacturers.

## TYPE "J"

## CAT PARTS - ROD WIPERS - INCH

Ref. Number	Rod Diameter		Nominal Seal Dimensions			Housing Dimensions				\$		
		Tol.	d	D	h	d1	Tol.	D1	Tol.		h1	Tol.
RCAT-1U4021	2.625	+ .000 / -.003	2.625					3.375	+ .001 / -.001	0.413	+ .015 / -.000	12.20
RCAT-3E4168	2.750	+ .000 / -.003	2.750					3.250	+ .001 / -.001	0.312	+ .015 / -.000	12.69
RCAT-1J3540	2.750	+ .000 / -.003	2.750					3.750	+ .001 / -.001	0.540	+ .015 / -.000	12.85
RCAT-3E4170	3.000	+ .000 / -.004	3.000					3.500	+ .001 / -.001	0.312	+ .015 / -.000	13.44
RCAT-5P4061	3.000	+ .000 / -.004	3.000					3.750	+ .001 / -.001	0.413	+ .015 / -.000	13.81
RCAT-2J1411	3.000	+ .000 / -.004	3.000					4.000	+ .001 / -.001	0.540	+ .015 / -.000	14.19
RCAT-3E4173	3.250	+ .000 / -.004	3.250					3.875	+ .001 / -.001	0.312	+ .015 / -.000	15.21
RCAT-6J4169	3.250	+ .000 / -.004	3.250					4.250	+ .001 / -.001	0.540	+ .015 / -.000	15.59
RCAT-3E4176	3.500	+ .000 / -.004	3.500					4.125	+ .001 / -.001	0.312	+ .015 / -.000	16.61
RCAT-4J8981	3.500	+ .000 / -.004	3.500					4.500	+ .001 / -.001	0.540	+ .015 / -.000	17.09
RCAT-8C5219	3.500	+ .000 / -.004	3.500					4.500	+ .001 / -.001	0.550	+ .015 / -.000	17.09
RCAT-8J6069	3.750	+ .000 / -.004	3.750					4.750	+ .001 / -.001	0.540	+ .015 / -.000	17.58
RCAT-3E4177	4.000	+ .000 / -.004	4.000					4.625	+ .001 / -.001	0.312	+ .015 / -.000	19.14
RCAT-7J5673	4.000	+ .000 / -.004	4.000					5.000	+ .001 / -.001	0.540	+ .015 / -.000	19.89
RCAT-1389740	4.000	+ .000 / -.004	4.000					4.500	+ .001 / -.001	0.310	+ .015 / -.000	0/R
RCAT-7Y4667	4.000	+ .000 / -.004	4.000					4.760	+ .001 / -.001	0.390	+ .015 / -.000	0/R
RCAT-7J8942	4.250	+ .000 / -.004	4.250					5.250	+ .001 / -.001	0.540	+ .015 / -.000	24.46
RCAT-3E4178	4.500	+ .000 / -.004	4.500					5.125	+ .001 / -.001	0.312	+ .015 / -.000	27.57
RCAT-3J4458	4.500	+ .000 / -.004	4.500					5.500	+ .001 / -.001	0.500	+ .015 / -.000	30.15
RCAT-7J9256	4.750	+ .000 / -.004	4.750					5.750	+ .001 / -.001	0.540	+ .015 / -.000	32.14
RCAT-8J4520	5.000	+ .000 / -.004	5.000					6.000	+ .001 / -.001	0.540	+ .015 / -.000	38.86
RCAT-9J5469	5.750	+ .000 / -.004	5.750					6.750	+ .001 / -.001	0.540	+ .015 / -.000	49.67
RCAT-3J7622	6.000	+ .000 / -.004	6.000					7.000	+ .001 / -.001	0.540	+ .015 / -.000	51.06
RCAT-7J2806	6.500	+ .000 / -.004	6.500					7.500	+ .001 / -.001	0.670	+ .015 / -.000	51.87
RCAT-3J4460	6.750	+ .000 / -.004	6.750					7.750	+ .001 / -.001	0.540	+ .015 / -.000	58.86
RCAT-2J4779	7.000	+ .000 / -.005	7.000					8.000	+ .001 / -.001	0.540	+ .015 / -.000	76.86
RCAT-9X7333	7.000	+ .000 / -.005	7.000					8.000	+ .001 / -.001	0.590	+ .015 / -.000	76.86
RCAT-3J7761	7.250	+ .000 / -.005	7.250					8.250	+ .001 / -.001	0.590	+ .015 / -.000	86.38
RCAT-9X7354	9.000	+ .000 / -.005	9.000					9.750	+ .001 / -.001	0.590	+ .015 / -.000	0/R
RCAT-9X7353	11.000	+ .000 / -.005	11.000					12.000	+ .001 / -.001	0.590	+ .015 / -.000	0/R
RCAT-9X7352	12.500	+ .000 / -.005	12.500					13.500	+ .001 / -.001	0.590	+ .015 / -.000	0/R
RCAT-9X7350	13.500	+ .000 / -.005	13.500					14.500	+ .001 / -.001	0.590	+ .015 / -.000	0/R

All manufacturer's names, part numbers and descriptions are used for reference purposes only. We do not imply that any part shown is the product of these manufacturers.

**INDUSTRIAL SEAL KITS**

**MOBILE SEAL KITS**



**CATERPILLAR**

**Tel.: (780) 414-1871**  
**Fax: (780) 487-5419**

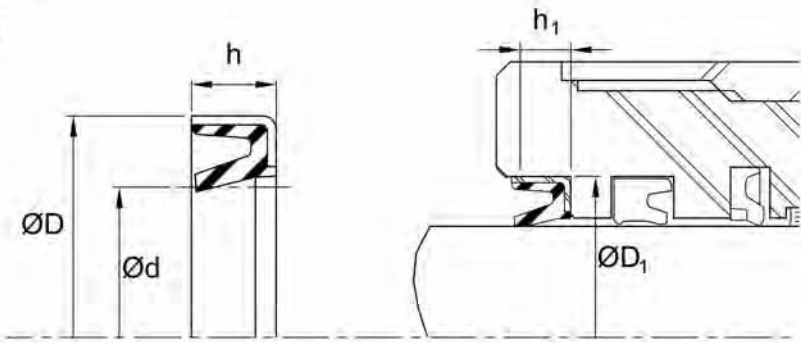
**KITS 245**

[www.sealsonline.com](http://www.sealsonline.com)

## CAT PARTS - ROD WIPERS - INCH

## TYPE "J/N"

### J/N - Rod Wipers Nitrile/Steel



Temperature: -50/250F [ -45/121C ]

Pressure: N/A

Ref. Number	Rod Diameter	Nominal Seal Dimensions			Housing Dimensions					\$	
	Tol.	d	D	h	d1	Tol.	D1	Tol.	h1		Tol.
RCAT-2H1746	1.250	+ .003 / - .003	1.250				1.750	+ .001 / - .001	0.280	+ .015 / - .000	5.97
RCAT-5M9736	1.370	+ .003 / - .003	1.370				2.100	+ .001 / - .001	0.410	+ .015 / - .000	0/R
RCAT-5P0091	1.500	+ .003 / - .003	1.500				2.000	+ .001 / - .001	0.250	+ .015 / - .000	6.45
RCAT-9J4037	1.500	+ .003 / - .003	1.500				2.250	+ .001 / - .001	0.430	+ .015 / - .000	0/R
RCAT-5P0092	1.750	+ .003 / - .003	1.750				2.250	+ .001 / - .001	0.250	+ .015 / - .000	7.36
RCAT-8J5817	1.750	+ .003 / - .003	1.750				2.437	+ .001 / - .001	0.430	+ .015 / - .000	0/R
RCAT-5P0093	2.000	+ .003 / - .003	2.000				2.500	+ .001 / - .001	0.250	+ .015 / - .000	8.44
RCAT-7J8277	2.000	+ .003 / - .003	2.000				2.687	+ .001 / - .001	0.430	+ .015 / - .000	0/R
RCAT-7J8278	2.250	+ .003 / - .003	2.250				3.000	+ .001 / - .001	0.430	+ .015 / - .000	0/R
RCAT-9J1319	2.375	+ .003 / - .003	2.375				3.120	+ .001 / - .001	0.430	+ .015 / - .000	0/R
RCAT-1B0936	2.500	+ .003 / - .003	2.500				3.540	+ .001 / - .001	0.510	+ .015 / - .000	0/R
RCAT-5P0065	2.500	+ .003 / - .003	2.500				3.010	+ .001 / - .001	0.310	+ .015 / - .000	0/R
RCAT-7J8273	2.500	+ .003 / - .003	2.500				3.250	+ .001 / - .001	0.430	+ .015 / - .000	0/R
RCAT-7J8274	2.750	+ .003 / - .003	2.750				3.750	+ .001 / - .001	0.550	+ .015 / - .000	0/R
RCAT-9H6079	2.750	+ .003 / - .003	2.750				3.750	+ .001 / - .001	0.540	+ .015 / - .000	0/R
RCAT-5P0064	3.000	+ .003 / - .003	3.000				3.510	+ .001 / - .001	0.310	+ .015 / - .000	0/R
RCAT-8J0249	3.000	+ .003 / - .003	3.000				4.000	+ .001 / - .001	0.550	+ .015 / - .000	0/R
RCAT-7J7732	3.250	+ .003 / - .003	3.250				4.250	+ .001 / - .001	0.550	+ .015 / - .000	0/R
RCAT-1J2150	3.500	+ .003 / - .003	3.500				4.500	+ .001 / - .001	0.540	+ .015 / - .000	0/R
RCAT-7J8276	3.500	+ .003 / - .003	3.500				4.500	+ .001 / - .001	0.550	+ .015 / - .000	0/R
RCAT-9J1325	3.750	+ .003 / - .003	3.750				4.750	+ .001 / - .001	0.550	+ .015 / - .000	0/R
RCAT-3G2650	4.000	+ .003 / - .003	4.000				5.000	+ .001 / - .001	0.550	+ .015 / - .000	0/R
RCAT-9J1333	4.250	+ .003 / - .003	4.250				5.250	+ .001 / - .001	0.550	+ .015 / - .000	0/R
RCAT-9J1337	4.500	+ .003 / - .003	4.500				5.500	+ .001 / - .001	0.550	+ .015 / - .000	0/R
RCAT-9J1341	4.750	+ .003 / - .003	4.750				5.750	+ .001 / - .001	0.550	+ .015 / - .000	0/R
RCAT-9J1681	5.000	+ .003 / - .003	5.000				6.000	+ .001 / - .001	0.550	+ .015 / - .000	0/R
RCAT-9J5473	5.750	+ .003 / - .003	5.750				6.750	+ .001 / - .001	0.550	+ .015 / - .000	0/R
RCAT-9J1697	6.000	+ .003 / - .003	6.000				7.000	+ .001 / - .001	0.550	+ .015 / - .000	0/R
RCAT-8J1877	6.500	+ .003 / - .003	6.500				7.500	+ .001 / - .001	0.650	+ .015 / - .000	0/R
RCAT-3G2646	7.000	+ .003 / - .003	7.000				8.000	+ .001 / - .001	0.550	+ .015 / - .000	0/R
RCAT-9X7355	18.450	+ .003 / - .003	18.450				19.450	+ .001 / - .001	0.550	+ .015 / - .000	0/R

All manufacturer's names, part numbers and descriptions are used for reference purposes only. We do not imply that any part shown is the product of these manufacturers.

INDUSTRIAL  
SEAL KITS

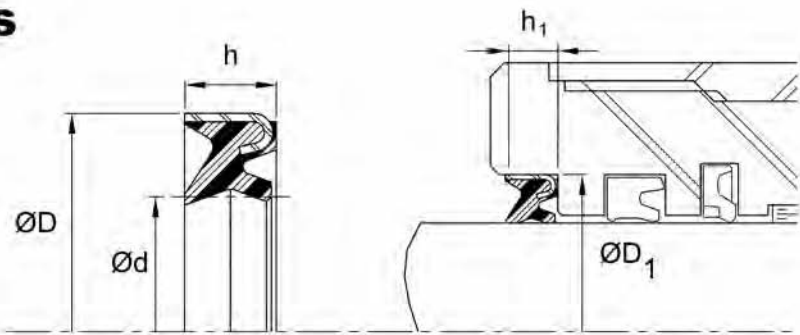
MOBILE  
SEAL KITS

CATERPILLAR

## TYPE "J/DL"

## CAT PARTS - ROD WIPERS - INCH

### J/DL - Rod Wipers Polyurethane/Steel



Temperature: -65/200F [ -54/94C]

Pressure: N/A

Ref. Number	Rod Diameter	Nominal Seal Dimensions			Housing Dimensions					\$	
	Tol.	d	D	h	d1	Tol.	D1	Tol.	h1		Tol.
RCAT-8C9131	1.500	+0.000 / -0.003	1.500				2.250	+0.001 / -0.001	0.433	+0.015 / -0.000	18.60
RCAT-8C9132	1.750	+0.000 / -0.003	1.750				2.437	+0.001 / -0.001	0.433	+0.015 / -0.000	19.24
RCAT-9X3565	1.875	+0.000 / -0.003	1.875				2.562	+0.001 / -0.001	0.433	+0.015 / -0.000	0/R
RCAT-8C9133	2.000	+0.000 / -0.003	2.000				2.687	+0.001 / -0.001	0.433	+0.015 / -0.000	19.51
RCAT-9X3567	2.125	+0.000 / -0.003	2.125				2.875	+0.001 / -0.001	0.433	+0.015 / -0.000	0/R
RCAT-8C9134	2.250	+0.000 / -0.003	2.250				3.000	+0.001 / -0.001	0.433	+0.015 / -0.000	20.21
RCAT-9X7259	2.375	+0.000 / -0.003	2.375				3.125	+0.001 / -0.001	0.433	+0.015 / -0.000	0/R
RCAT-8C3840	2.500	+0.000 / -0.003	2.500				3.250	+0.001 / -0.001	0.433	+0.015 / -0.000	21.77
RCAT-9X3569	2.625	+0.000 / -0.003	2.625				3.375	+0.001 / -0.001	0.433	+0.015 / -0.000	0/R
RCAT-8C3842	2.750	+0.000 / -0.003	2.750				3.750	+0.001 / -0.001	0.550	+0.015 / -0.000	22.95
RCAT-8C5218	3.000	+0.000 / -0.004	3.000				4.000	+0.001 / -0.001	0.550	+0.015 / -0.000	23.60
RCAT-8T8389	3.250	+0.000 / -0.004	3.250				4.250	+0.001 / -0.001	0.550	+0.015 / -0.000	23.65
RCAT-8C9135	3.750	+0.000 / -0.004	3.750				4.750	+0.001 / -0.001	0.550	+0.015 / -0.000	25.69
RCAT-8C5220	4.000	+0.000 / -0.004	4.000				5.000	+0.001 / -0.001	0.550	+0.015 / -0.000	25.85
RCAT-6E0426	4.250	+0.000 / -0.004	4.250				5.250	+0.001 / -0.001	0.550	+0.015 / -0.000	34.94
RCAT-9X7262	4.750	+0.000 / -0.004	4.750				5.750	+0.001 / -0.001	0.550	+0.015 / -0.000	0/R
RCAT-9X3582	5.000	+0.000 / -0.004	5.000				6.000	+0.001 / -0.001	0.550	+0.015 / -0.000	43.38
RCAT-9X7268	5.250	+0.000 / -0.004	5.250				6.250	+0.001 / -0.001	0.550	+0.015 / -0.000	46.44
RCAT-9X3573	5.500	+0.000 / -0.004	5.500				6.500	+0.001 / -0.001	0.550	+0.015 / -0.000	47.41
RCAT-9X3574	5.750	+0.000 / -0.004	5.750				6.750	+0.001 / -0.001	0.550	+0.015 / -0.000	48.21
RCAT-9X7255	6.000	+0.000 / -0.004	6.000				7.000	+0.001 / -0.001	0.540	+0.015 / -0.000	0/R
RCAT-9X7223	6.500	+0.000 / -0.004	6.500				7.500	+0.001 / -0.001	0.540	+0.015 / -0.000	0/R
RCAT-8C9146	6.750	+0.000 / -0.004	6.750				7.750	+0.001 / -0.001	0.550	+0.015 / -0.000	54.13
RCAT-8C9136	7.000	+0.000 / -0.005	7.000				8.000	+0.001 / -0.001	0.550	+0.015 / -0.000	58.70
RCAT-1080134	7.250	+0.000 / -0.005	7.250				8.250	+0.001 / -0.001	0.540	+0.015 / -0.000	0/R
RCAT-1080132	7.500	+0.000 / -0.005	7.500				8.500	+0.001 / -0.001	0.540	+0.015 / -0.000	0/R
RCAT-6E0036	8.000	+0.000 / -0.005	8.000				9.000	+0.001 / -0.001	0.540	+0.015 / -0.000	0/R
RCAT-1086214	8.750	+0.000 / -0.005	8.750				9.750	+0.001 / -0.001	0.540	+0.015 / -0.000	0/R

All manufacturer's names, part numbers and descriptions are used for reference purposes only. We do not imply that any part shown is the product of these manufacturers.

Tel.: (403) 279-1871  
Fax: (403) 279-1821

**KITS 247**

[www.sealsonline.com](http://www.sealsonline.com)

INDUSTRIAL  
SEAL KITS

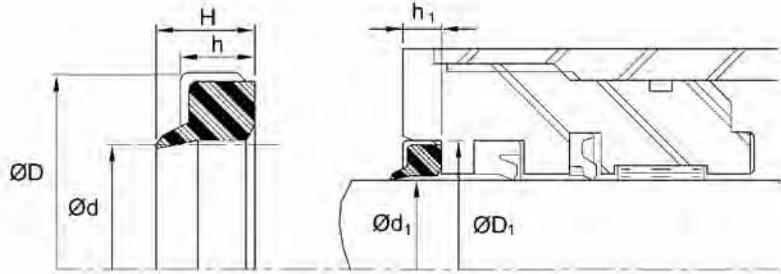
MOBILE  
SEAL KITS



CATERPILLAR

## WO SERIES - CAT X-REF - AU/STEEL

### WO - Rod Wipers Polyurethane/Steel



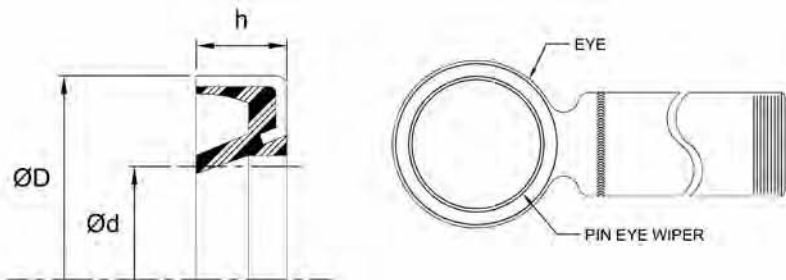
Temperature: -31/212F [ -35/100C ]

Pressure: N/A

Ref. Number	Rod Diameter		Nominal Seal Dimensions				Housing Dimensions				\$
		Tol.	d	D	h	H	D1	Tol.	h1	Tol.	
RCAT-1402392	35.00	+0.00 / -0.05	35.00				45.15	+0.05 / -0.00	10.00	+0.50 / -0.50	13.44
RCAT-0940723	90.00	+0.00 / -0.09	90.00				104.00	+0.05 / -0.00	13.50	+0.50 / -0.50	34.62
RCAT-0944057	100.00	+0.00 / -0.09	100.00				114.00	+0.05 / -0.00	13.50	+0.50 / -0.50	36.44
RCAT-1140705	105.00	+0.00 / -0.13	105.00				121.00	+0.05 / -0.00	15.00	+0.50 / -0.50	37.25

## WS SERIES - CAT X-REF - AU/STEEL

### WS - Pin Wipers Polyurethane/Steel



Temperature: -31/212F [ -35/100C ]

Pressure: N/A

Ref. Number	Pin Diameter		Nominal Seal Dimensions				Housing Dimensions				\$
		Tol.	d	D	h	D1	Tol.	h1	Tol.		
RCAT-1163392	55.00	+0.00 / -0.05	55.00				69.02	+0.05 / -0.00	8.35	+0.50 / -0.00	11.45
RCAT-1163391	60.00	+0.00 / -0.05	60.00				74.02	+0.05 / -0.00	8.35	+0.50 / -0.00	12.69
RCAT-1163390	65.00	+0.00 / -0.06	65.00				79.02	+0.05 / -0.00	8.35	+0.50 / -0.00	13.01
RCAT-1163389	70.00	+0.00 / -0.06	70.00				84.02	+0.05 / -0.00	8.35	+0.50 / -0.00	13.55
RCAT-1163388	75.00	+0.00 / -0.06	75.00				89.02	+0.05 / -0.00	8.35	+0.50 / -0.00	14.35
RCAT-1163387	80.00	+0.00 / -0.09	80.00				94.02	+0.05 / -0.00	8.35	+0.50 / -0.00	14.73
RCAT-1140644	85.00	+0.00 / -0.09	85.00				99.02	+0.05 / -0.00	8.35	+0.50 / -0.00	15.43
RCAT-1163386	90.00	+0.00 / -0.09	90.00				104.02	+0.05 / -0.00	8.35	+0.50 / -0.00	16.34
RCAT-1076254	100.00	+0.00 / -0.09	100.00				114.02	+0.05 / -0.00	8.35	+0.50 / -0.00	18.81
RCAT-1140646	100.00	+0.00 / -0.09	100.00				114.02	+0.05 / -0.00	8.35	+0.50 / -0.00	18.81

All manufacturer's names, part numbers and descriptions are used for reference purposes only. We do not imply that any part shown is the product of these manufacturers.

INDUSTRIAL  
SEAL KITS

MOBILE  
SEAL KITS

CATERPILLAR

## TYPE "WS"

## CAT PARTS - ROD WIPERS - METRIC


Ref. Number	Pin Diameter		Nominal Seal Dimensions			Housing Dimensions				\$
		Tol.	d	D	h	D1	Tol.	h1	Tol.	
RCAT-1140647	105.00	+0.00 / -0.13	105.00			121.02	+0.06 / -0.00	9.50	+0.50 / -0.00	21.18
RCAT-1119957	110.00	+0.00 / -0.13	110.00			126.02	+0.06 / -0.00	9.35	+0.50 / -0.00	22.90
RCAT-1119958	130.00	+0.00 / -0.13	130.00			146.02	+0.06 / -0.00	9.35	+0.50 / -0.00	34.08
RCAT-1076615	140.00	+0.00 / -0.13	140.00			160.02	+0.06 / -0.00	10.35	+0.50 / -0.00	40.31
RCAT-1076616	150.00	+0.00 / -0.13	150.00			170.02	+0.06 / -0.00	10.35	+0.50 / -0.00	46.33

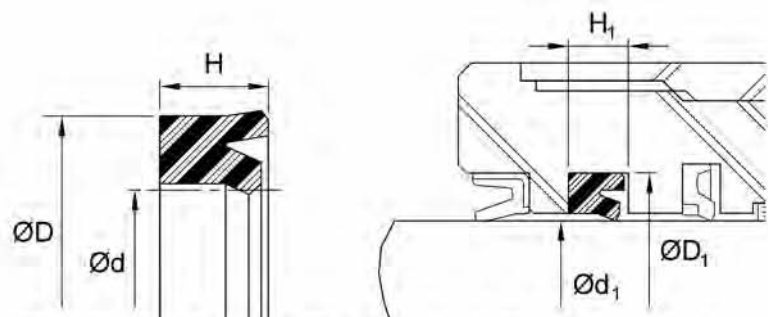
## TYPE "UR"

## CAT PARTS - ROD SEALS - INCH

### UR - Rod Seals

Polyurethane AU 92A





**Temperature: -40/212F [ -40/100C ]      Pressure: 5000 PSI [ 345 Bar ]**

Ref. Number	Rod Diameter		Nominal Seal Dimensions			Housing Dimensions					\$	
		Tol.	d	D	H	d1	Tol.	D1	Tol.	H1		Tol.
RCAT-1U3147	0.375	+0.000 / -.002	0.375			0.375	+0.000 / -.002	0.625	+0.002 / -.000	0.160	+0.015 / -.000	5.91
RCAT-7J0375	0.625	+0.000 / -.002	0.625			0.625	+0.000 / -.002	0.875	+0.002 / -.000	0.290	+0.015 / -.000	6.40
RCAT-6J1878	0.750	+0.000 / -.003	0.750			0.750	+0.000 / -.003	1.000	+0.002 / -.000	0.290	+0.015 / -.000	6.73
RCAT-6J1889	1.000	+0.000 / -.003	1.000			1.000	+0.000 / -.003	1.250	+0.002 / -.000	0.290	+0.015 / -.000	7.26
RCAT-5J8125	1.250	+0.000 / -.003	1.250			1.250	+0.000 / -.003	1.625	+0.002 / -.000	0.290	+0.015 / -.000	7.96
RCAT-5J8150	1.500	+0.000 / -.003	1.500			1.500	+0.000 / -.003	1.875	+0.002 / -.000	0.290	+0.015 / -.000	8.44
RCAT-2S5867	1.500	+0.000 / -.003	1.500			1.500	+0.000 / -.003	2.250	+0.002 / -.000	0.540	+0.015 / -.000	12.47
RCAT-4T0488	1.625	+0.000 / -.003	1.625			1.625	+0.000 / -.003	2.000	+0.002 / -.000	0.350	+0.015 / -.000	8.87
RCAT-5J8175	1.750	+0.000 / -.003	1.750			1.750	+0.000 / -.003	2.125	+0.002 / -.000	0.290	+0.015 / -.000	9.19
RCAT-4T6898	1.875	+0.000 / -.003	1.875			1.875	+0.000 / -.003	2.250	+0.002 / -.000	0.350	+0.015 / -.000	10.43
RCAT-3G3259	2.000	+0.000 / -.003	2.000			2.000	+0.000 / -.003	2.500	+0.002 / -.000	0.413	+0.015 / -.000	11.45
RCAT-5J8200	2.000	+0.000 / -.003	2.000			2.000	+0.000 / -.003	2.500	+0.002 / -.000	0.413	+0.015 / -.000	11.45
RCAT-3P1344	2.125	+0.000 / -.003	2.125			2.125	+0.000 / -.003	2.625	+0.002 / -.000	0.413	+0.015 / -.000	11.99
RCAT-4T6126	2.125	+0.000 / -.003	2.125			2.125	+0.000 / -.003	2.625	+0.002 / -.000	0.413	+0.015 / -.000	11.99
RCAT-5J8225	2.250	+0.000 / -.003	2.250			2.250	+0.000 / -.003	2.750	+0.002 / -.000	0.413	+0.015 / -.000	12.52
RCAT-3G2911	2.375	+0.000 / -.003	2.375			2.375	+0.000 / -.003	2.875	+0.002 / -.000	0.413	+0.015 / -.000	13.12
RCAT-5J8238	2.375	+0.000 / -.003	2.375			2.375	+0.000 / -.003	2.875	+0.002 / -.000	0.413	+0.015 / -.000	13.12
RCAT-3G3752	2.500	+0.000 / -.003	2.500			2.500	+0.000 / -.003	3.000	+0.002 / -.000	0.413	+0.015 / -.000	13.76
RCAT-5J0964	2.500	+0.000 / -.003	2.500			2.500	+0.000 / -.003	3.000	+0.002 / -.000	0.413	+0.015 / -.000	13.76
RCAT-3G4718	2.625	+0.000 / -.003	2.625			2.625	+0.000 / -.003	3.125	+0.002 / -.000	0.413	+0.015 / -.000	14.51
RCAT-5J8275	2.750	+0.000 / -.003	2.750			2.750	+0.000 / -.003	3.250	+0.002 / -.000	0.413	+0.015 / -.000	14.89
RCAT-5J8300	3.000	+0.000 / -.004	3.000			3.000	+0.000 / -.004	3.500	+0.002 / -.000	0.413	+0.015 / -.000	14.94

All manufacturer's names, part numbers and descriptions are used for reference purposes only. We do not imply that any part shown is the product of these manufacturers.

**Tel.: (604) 278-6808**  
**Fax: (604) 278-6180**

**KITS 249**

[www.sealsonline.com](http://www.sealsonline.com)

INDUSTRIAL SEAL KITS

MOBILE SEAL KITS

CATERPILLAR

## CAT PARTS - ROD SEALS - INCH

## TYPE "UR"

Ref. Number	Rod Diameter		Nominal Seal Dimensions			Housing Dimensions				\$		
		Tol.	d	D	H	d1	Tol.	D1	Tol.		H1	Tol.
RCAT-1P4879	3.000	+ .000 / - .004	3.000			3.000	+ .000 / - .004	4.000	+ .002 / - .000	0.722	+ .015 / - .000	34.29
RCAT-5J8325	3.250	+ .000 / - .004	3.250			3.250	+ .000 / - .004	3.750	+ .002 / - .000	0.413	+ .015 / - .000	17.36
RCAT-3G5051	3.375	+ .000 / - .004	3.375			3.375	+ .000 / - .004	3.875	+ .002 / - .000	0.413	+ .015 / - .000	17.79
RCAT-5J8350	3.500	+ .000 / - .004	3.500			3.500	+ .000 / - .004	4.000	+ .002 / - .000	0.413	+ .015 / - .000	18.06
RCAT-1P4880	3.500	+ .000 / - .004	3.500			3.500	+ .000 / - .004	4.500	+ .002 / - .000	0.688	+ .015 / - .000	37.73
RCAT-5J8375	3.750	+ .000 / - .004	3.750			3.750	+ .000 / - .004	4.250	+ .002 / - .000	0.413	+ .015 / - .000	19.73
RCAT-5J8400	4.000	+ .000 / - .004	4.000			4.000	+ .000 / - .004	4.625	+ .002 / - .000	0.413	+ .015 / - .000	24.13
RCAT-2U9113	4.000	+ .000 / - .004	4.000			4.000	+ .000 / - .004	4.724	+ .002 / - .000	0.390	+ .015 / - .000	33.22
RCAT-6J1425	4.250	+ .000 / - .004	4.250			4.250	+ .000 / - .004	5.000	+ .002 / - .000	0.688	+ .015 / - .000	34.45
RCAT-3G5054	4.375	+ .000 / - .004	4.375			4.375	+ .000 / - .004	5.125	+ .002 / - .000	0.540	+ .015 / - .000	35.42
RCAT-6J1450	4.500	+ .000 / - .004	4.500			4.500	+ .000 / - .004	5.125	+ .002 / - .000	0.413	+ .015 / - .000	36.39
RCAT-6J1475	4.750	+ .000 / - .004	4.750			4.750	+ .000 / - .004	5.500	+ .002 / - .000	0.688	+ .015 / - .000	37.84
RCAT-8J4524	5.000	+ .000 / - .004	5.000			5.000	+ .000 / - .004	5.750	+ .002 / - .000	0.540	+ .015 / - .000	39.67
RCAT-4T5699	5.250	+ .000 / - .004	5.250			5.250	+ .000 / - .004	6.000	+ .002 / - .000	0.540	+ .015 / - .000	42.19
RCAT-6J1550	5.500	+ .000 / - .004	5.500			5.500	+ .000 / - .004	6.125	+ .002 / - .000	0.413	+ .015 / - .000	43.38
RCAT-3G2286	5.750	+ .000 / - .004	5.750			5.750	+ .000 / - .004	6.500	+ .002 / - .000	0.688	+ .015 / - .000	45.47
RCAT-9J5467	5.750	+ .000 / - .004	5.750			5.750	+ .000 / - .004	6.500	+ .002 / - .000	0.688	+ .015 / - .000	45.47
RCAT-4T9901	6.000	+ .000 / - .004	6.000			6.000	+ .000 / - .004	6.750	+ .002 / - .000	0.540	+ .015 / - .000	47.41
RCAT-8J4394	6.250	+ .000 / - .004	6.250			6.250	+ .000 / - .004	6.750	+ .002 / - .000	0.540	+ .015 / - .000	49.50
RCAT-6J1650	6.500	+ .000 / - .004	6.500			6.500	+ .000 / - .004	7.250	+ .002 / - .000	0.540	+ .015 / - .000	49.77
RCAT-8J4387	6.500	+ .000 / - .004	6.500			6.500	+ .000 / - .004	7.250	+ .002 / - .000	0.688	+ .015 / - .000	51.87
RCAT-3G4627	6.750	+ .000 / - .004	6.750			6.750	+ .000 / - .004	7.250	+ .002 / - .000	0.413	+ .015 / - .000	52.89
RCAT-6J1700	7.000	+ .000 / - .005	7.000			7.000	+ .000 / - .005	7.750	+ .002 / - .000	0.540	+ .015 / - .000	51.06
RCAT-6E0172	7.250	+ .000 / - .005	7.250			7.250	+ .000 / - .005	8.000	+ .002 / - .000	0.540	+ .015 / - .000	57.73
RCAT-7J3322	7.500	+ .000 / - .005	7.500			7.500	+ .000 / - .005	8.250	+ .002 / - .000	0.540	+ .015 / - .000	56.60
RCAT-6E0039	8.000	+ .000 / - .005	8.000			8.000	+ .000 / - .005	8.750	+ .002 / - .000	0.540	+ .015 / - .000	75.04
RCAT-1086219	8.750	+ .000 / - .005	8.750			8.750	+ .000 / - .005	9.500	+ .002 / - .000	0.540	+ .015 / - .000	0/R

All manufacturer's names, part numbers and descriptions are used for reference purposes only. We do not imply that any part shown is the product of these manufacturers.

INDUSTRIAL  
SEAL KITS

MOBILE  
SEAL KITS

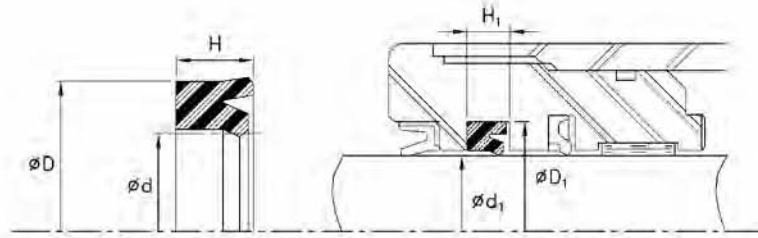


CATERPILLAR

## TYPE "RA"

## CAT PARTS - ROD SEALS - METRIC

### RA - Rod Seals Polyurethane AU 94A



Temperature: -31/212F [ -35/100C ]

Pressure: 6000 PSI [ 415 Bar ]

Ref. Number	Rod Diameter		Nominal Seal Dimensions			Housing Dimensions					\$	
		Tol.	d	D	H	d1	Tol.	D1	Tol.	H1		Tol.
RCAT-0996996	55.00	+0.00 / -0.05	55.00			55.00	+0.00 / -0.05	68.02	+0.05 / -0.00	11.00	+0.38 / -0.00	17.74
RCAT-0931475	60.00	+0.00 / -0.05	60.00			60.00	+0.00 / -0.05	73.02	+0.05 / -0.00	11.00	+0.38 / -0.00	18.38
RCAT-0931476	65.00	+0.00 / -0.06	65.00			65.00	+0.00 / -0.06	78.02	+0.05 / -0.00	11.00	+0.38 / -0.00	18.81
RCAT-0931477	70.00	+0.00 / -0.06	70.00			70.00	+0.00 / -0.06	83.03	+0.05 / -0.00	11.00	+0.38 / -0.00	19.62
RCAT-0963468	75.00	+0.00 / -0.06	75.00			75.00	+0.00 / -0.06	88.03	+0.05 / -0.00	11.00	+0.38 / -0.00	22.31
RCAT-0931479	80.00	+0.00 / -0.09	80.00			80.00	+0.00 / -0.09	93.03	+0.05 / -0.00	11.00	+0.38 / -0.00	22.84
RCAT-0961567	85.00	+0.00 / -0.09	85.00			85.00	+0.00 / -0.09	100.03	+0.05 / -0.00	11.00	+0.38 / -0.00	23.81
RCAT-7Y5117	85.00	+0.00 / -0.09	85.00			85.00	+0.00 / -0.09	100.03	+0.05 / -0.00	11.00	+0.38 / -0.00	26.02
RCAT-1052577	90.00	+0.00 / -0.09	90.00			90.00	+0.00 / -0.09	105.03	+0.05 / -0.00	11.00	+0.38 / -0.00	27.74
RCAT-0961587	90.00	+0.00 / -0.09	90.00			90.00	+0.00 / -0.09	105.03	+0.05 / -0.00	11.00	+0.38 / -0.00	28.11
RCAT-7Y4629	95.00	+0.00 / -0.09	95.00			95.00	+0.00 / -0.09	110.03	+0.05 / -0.00	11.00	+0.38 / -0.00	29.67
RCAT-0961572	100.00	+0.00 / -0.09	100.00			100.00	+0.00 / -0.09	115.03	+0.05 / -0.00	11.00	+0.38 / -0.00	31.77
RCAT-0962664	100.00	+0.00 / -0.09	100.00			100.00	+0.00 / -0.09	115.03	+0.05 / -0.00	11.00	+0.38 / -0.00	31.77
RCAT-1076256	100.00	+0.00 / -0.09	100.00			100.00	+0.00 / -0.09	120.00	+0.05 / -0.00	13.00	+0.38 / -0.00	33.76
RCAT-7Y4670	105.00	+0.00 / -0.13	105.00			105.00	+0.00 / -0.13	120.03	+0.05 / -0.00	11.00	+0.38 / -0.00	34.67
RCAT-7Y4942	110.00	+0.00 / -0.13	110.00			110.00	+0.00 / -0.13	125.03	+0.05 / -0.00	11.00	+0.38 / -0.00	36.28
RCAT-1672341	130.00	+0.00 / -0.13	130.00			130.00	+0.00 / -0.13	145.03	+0.05 / -0.00	11.00	+0.38 / -0.00	54.72
RCAT-8C9187	140.00	+0.00 / -0.13	140.00			140.00	+0.00 / -0.13	155.05	+0.05 / -0.00	11.00	+0.38 / -0.00	68.16
RCAT-8C9191	150.00	+0.00 / -0.13	150.00			150.00	+0.00 / -0.13	165.05	+0.05 / -0.00	11.00	+0.38 / -0.00	85.79

All manufacturer's names, part numbers and descriptions are used for reference purposes only. We do not imply that any part shown is the product of these manufacturers.

Tel.: (418) 688-3202  
Fax: (418) 688-4272

**KITS 251**

[www.sealsonline.com](http://www.sealsonline.com)

INDUSTRIAL  
SEAL KITS

MOBILE  
SEAL KITS



CATERPILLAR

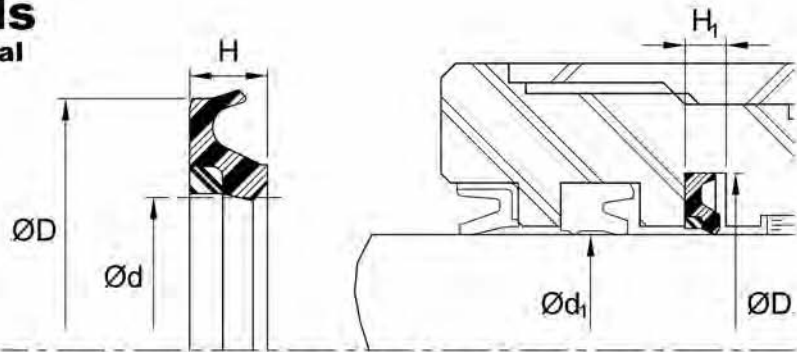


## CAT PARTS - ROD SEALS - INCH

## TYPE "HBY"

### HBY - Buffer Seals

Polyurethane AU 94A/Polyacetal



Temperature: -31/212F [ -35/100C ]

Pressure: 8500 PSI [ 586 Bar ]

Ref. Number	Rod Diameter	Nominal Seal Dimensions			Housing Dimensions					\$	
	Tol.	d	D	H	d1	Tol.	D1	Tol.	H1		Tol.
RCAT-1402310*	1.375	+ .000 / - .002	1.375		1.375		1.988	+ .005 / - .005	0.252	+ .005 / - .005	8.39
RCAT-1410706*	1.375	+ .000 / - .002	1.375		1.375		1.988	+ .005 / - .005	0.252	+ .005 / - .005	8.39
RCAT-1506738*	1.750	+ .000 / - .002	1.750		1.750		2.391	+ .005 / - .005	0.220	+ .005 / - .005	11.02
RCAT-1438915*	1.770	+ .000 / - .002	1.770		1.770		2.382	+ .005 / - .005	0.266	+ .005 / - .005	0/R
RCAT-1444055*	2.000	+ .000 / - .002	2.000		2.000		2.533	+ .005 / - .005	0.140	+ .005 / - .005	0/R
RCAT-1506744	2.125	+ .000 / - .002	2.125		2.125		2.766	+ .005 / - .005	0.220	+ .005 / - .005	0/R
RCAT-1506750	2.500	+ .000 / - .002	2.500		2.500		3.141	+ .005 / - .005	0.220	+ .005 / - .005	14.89
RCAT-1485674	2.750	+ .000 / - .002	2.750		2.750		3.390	+ .005 / - .005	0.220	+ .005 / - .005	16.18
RCAT-1529022	3.000	+ .000 / - .003	3.000		3.000		3.640	+ .005 / - .005	0.220	+ .005 / - .005	17.74
RCAT-1400234	3.250	+ .000 / - .003	3.250		3.250		3.890	+ .005 / - .005	0.220	+ .005 / - .005	0/R
RCAT-1422633	3.500	+ .000 / - .003	3.500		3.500		4.140	+ .005 / - .005	0.220	+ .005 / - .005	20.10
RCAT-1306056	4.000	+ .000 / - .005	4.000		4.000		4.640	+ .005 / - .005	0.220	+ .005 / - .005	22.68
RCAT-1422634	4.500	+ .000 / - .005	4.500		4.500		5.475	+ .005 / - .005	0.250	+ .005 / - .005	0/R
RCAT-1506262	5.000	+ .000 / - .005	5.000		5.000		5.960	+ .005 / - .005	0.250	+ .005 / - .005	0/R
RCAT-1339572	5.500	+ .000 / - .005	5.500		5.500		6.116	+ .005 / - .005	0.250	+ .005 / - .005	0/R
RCAT-1615787	6.000	+ .000 / - .005	6.000		6.000		6.618	+ .005 / - .005	0.250	+ .005 / - .005	0/R
RCAT-1615788	6.000	+ .000 / - .005	6.000		6.000		6.752	+ .005 / - .005	0.537	+ .005 / - .005	0/R
RCAT-1367358	6.500	+ .000 / - .005	6.500		6.500		7.502	+ .005 / - .005	0.250	+ .005 / - .005	0/R
RCAT-1351995	7.000	+ .000 / - .005	7.000		7.000		7.945	+ .005 / - .005	0.250	+ .005 / - .005	0/R
RCAT-1367359	7.250	+ .000 / - .005	7.250		7.250		8.083	+ .005 / - .005	0.250	+ .005 / - .005	0/R
RCAT-1351997	7.500	+ .000 / - .005	7.500		7.500		8.331	+ .005 / - .005	0.325	+ .005 / - .005	0/R
RCAT-1493256	8.000	+ .000 / - .005	8.000		8.000		8.827	+ .005 / - .005	0.325	+ .005 / - .005	0/R
RCAT-1351999	8.750	+ .000 / - .005	8.750		8.750		9.583	+ .005 / - .005	0.325	+ .005 / - .005	0/R

All manufacturer's names, part numbers and descriptions are used for reference purposes only. We do not imply that any part shown is the product of these manufacturers.

INDUSTRIAL  
SEAL KITS

MOBILE  
SEAL KITS

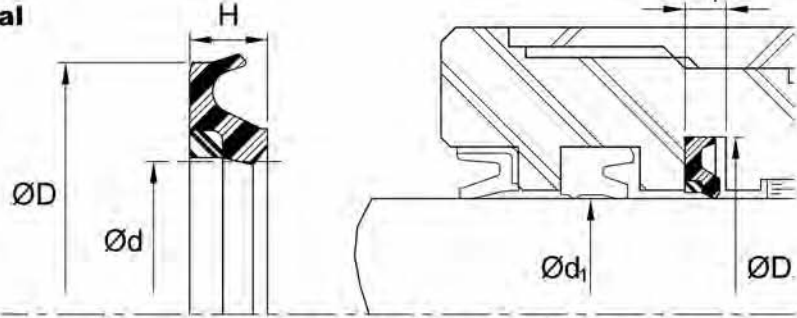


CATERPILLAR

## TYPE "RH"

## CAT PARTS - ROD SEALS - METRIC

### RH - Buffer Seals Polyurethane AU 94A/Polyacetal



Temperature: -31/212F [ -35/100C ]

Pressure: 8500 PSI [ 584 Bar ]

Ref. Number	Rod Diameter		Nominal Seal Dimensions			Housing Dimensions				\$		
		Tol.	d	D	H	d1	Tol.	D1	Tol.		H1	Tol.
RCAT-0996997	55.00	+0.00 / -0.05	55.00			55.00	+0.00 / -0.05	70.52	+0.19 / -0.00	6.40	+0.20 / -0.00	44.56
RCAT-1336785	55.00	+0.00 / -0.05	55.00			55.00	+0.00 / -0.05	70.52	+0.19 / -0.00	6.40	+0.20 / -0.00	44.56
RCAT-0931481	60.00	+0.00 / -0.05	60.00			60.00	+0.00 / -0.05	75.52	+0.19 / -0.00	6.40	+0.20 / -0.00	45.90
RCAT-1336784	60.00	+0.00 / -0.05	60.00			60.00	+0.00 / -0.05	75.52	+0.19 / -0.00	6.40	+0.20 / -0.00	45.90
RCAT-0931482	65.00	+0.00 / -0.06	65.00			65.00	+0.00 / -0.06	80.52	+0.22 / -0.00	6.40	+0.20 / -0.00	46.66
RCAT-1262149	65.00	+0.00 / -0.06	65.00			65.00	+0.00 / -0.06	80.53	+0.22 / -0.00	6.40	+0.20 / -0.00	46.66
RCAT-1262150	69.00	+0.00 / -0.06	69.00			69.00	+0.00 / -0.06	85.60	+0.22 / -0.00	6.40	+0.20 / -0.00	48.00
RCAT-0931483	70.00	+0.00 / -0.06	70.00			70.00	+0.00 / -0.06	85.53	+0.22 / -0.00	6.40	+0.20 / -0.00	48.00
RCAT-1262151	74.00	+0.00 / -0.06	74.00			74.00	+0.00 / -0.06	90.42	+0.22 / -0.00	6.40	+0.20 / -0.00	49.99
RCAT-0963469	75.00	+0.00 / -0.06	75.00			75.00	+0.00 / -0.06	90.53	+0.22 / -0.00	6.40	+0.20 / -0.00	49.99
RCAT-1262152	79.00	+0.00 / -0.06	79.00			79.00	+0.00 / -0.06	95.50	+0.22 / -0.00	6.40	+0.20 / -0.00	50.79
RCAT-0931484	80.00	+0.00 / -0.09	80.00			80.00	+0.00 / -0.09	95.53	+0.22 / -0.00	6.40	+0.20 / -0.00	50.79
RCAT-1231943	84.00	+0.00 / -0.09	84.00			84.00	+0.00 / -0.09	100.58	+0.22 / -0.00	6.40	+0.20 / -0.00	57.03
RCAT-7Y5118	85.00	+0.00 / -0.09	85.00			85.00	+0.00 / -0.09	100.54	+0.22 / -0.00	6.40	+0.20 / -0.00	57.03
RCAT-0961585	90.00	+0.00 / -0.09	90.00			90.00	+0.00 / -0.09	105.54	+0.22 / -0.00	6.40	+0.20 / -0.00	72.46
RCAT-1232048	90.00	+0.00 / -0.09	90.00			90.00	+0.00 / -0.09	105.66	+0.22 / -0.00	6.40	+0.20 / -0.00	72.46
RCAT-7Y4630	94.00	+0.00 / -0.09	94.00			94.00	+0.00 / -0.09	110.49	+0.22 / -0.00	6.40	+0.20 / -0.00	78.91
RCAT-1505885	95.00	+0.00 / -0.09	95.00			95.00	+0.00 / -0.09	110.49	+0.22 / -0.00	6.40	+0.20 / -0.00	78.91
RCAT-0962663	100.00	+0.00 / -0.09	100.00			100.00	+0.00 / -0.09	115.53	+0.22 / -0.00	6.40	+0.20 / -0.00	81.00
RCAT-1231983	100.00	+0.00 / -0.09	100.00			100.00	+0.00 / -0.09	115.57	+0.22 / -0.00	6.40	+0.20 / -0.00	81.00
RCAT-1231942	105.00	+0.00 / -0.13	105.00			105.00	+0.00 / -0.13	120.65	+0.25 / -0.00	6.40	+0.20 / -0.00	85.62
RCAT-1289265	105.00	+0.00 / -0.13	105.00			105.00	+0.00 / -0.13	120.65	+0.25 / -0.00	6.40	+0.20 / -0.00	85.62
RCAT-7Y4671	105.00	+0.00 / -0.13	105.00			105.00	+0.00 / -0.13	120.54	+0.25 / -0.00	6.40	+0.20 / -0.00	85.62
RCAT-1672219	109.00	+0.00 / -0.13	109.00			109.00	+0.00 / -0.13	125.48	+0.25 / -0.00	6.40	+0.20 / -0.00	91.05
RCAT-1289266	110.00	+0.00 / -0.13	110.00			110.00	+0.00 / -0.13	125.53	+0.25 / -0.00	6.40	+0.20 / -0.00	91.05
RCAT-7Y4943	110.00	+0.00 / -0.13	110.00			110.00	+0.00 / -0.13	125.54	+0.25 / -0.00	6.40	+0.20 / -0.00	91.05
RCAT-1559191	124.00	+0.00 / -0.13	124.00			124.00	+0.00 / -0.13	140.53	+0.25 / -0.00	6.40	+0.20 / -0.00	98.15
RCAT-1211593	127.00	+0.00 / -0.13	127.00			127.00	+0.00 / -0.13	142.88	+0.25 / -0.00	6.40	+0.20 / -0.00	O/R
RCAT-0965169	130.00	+0.00 / -0.13	130.00			130.00	+0.00 / -0.13	145.53	+0.25 / -0.00	6.40	+0.20 / -0.00	101.00
RCAT-1262108	130.00	+0.00 / -0.13	130.00			130.00	+0.00 / -0.13	145.53	+0.25 / -0.00	6.40	+0.20 / -0.00	101.00
RCAT-1475769	139.00	+0.00 / -0.13	139.00			139.00	+0.00 / -0.13	155.53	+0.25 / -0.00	6.40	+0.20 / -0.00	113.68
RCAT-8C9189	140.00	+0.00 / -0.13	140.00			140.00	+0.00 / -0.13	155.53	+0.25 / -0.00	6.40	+0.20 / -0.00	113.68
RCAT-8C9193	150.00	+0.00 / -0.13	150.00			150.00	+0.00 / -0.13	165.53	+0.25 / -0.00	6.40	+0.20 / -0.00	123.57

All manufacturer's names, part numbers and descriptions are used for reference purposes only. We do not imply that any part shown is the product of these manufacturers.

Tel.: (514) 334-2220  
Fax: (514) 333-8329

**KITS 253**

[www.sealsonline.com](http://www.sealsonline.com)

INDUSTRIAL  
SEAL KITS

MOBILE  
SEAL KITS



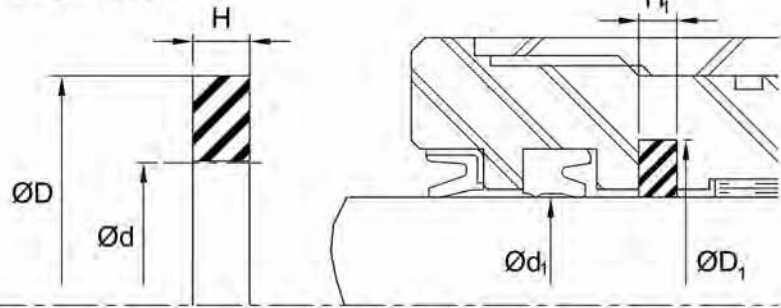
CATERPILLAR

## CAT PARTS - ROD SEALS - INCH

## SEAL RING

### CAT SEAL RING - Buffer Seals

Polyurethane/Nitrile



Temperature: -40/250F [ -40/121C ]

Pressure: 5000 PSI [ 345 Bar ]

Ref. Number	Rod Diameter	Nominal Seal Dimensions	Housing Dimensions						\$
	Tol.	d D H	d1 Tol.	D1 Tol.	H1 Tol.				
RCAT-5P4673	0.875 +.000 / -.001	0.875	0/R +.000 / -.001	0/R +.005 / -.005	0/R +.005 / -.005	0/R +.005 / -.005		4.68	
RCAT-9J3497	1.250 +.000 / -.001	1.250	1.250 +.000 / -.001	1.783 +.005 / -.005	0.140 +.005 / -.005			5.21	
RCAT-6J9733	1.500 +.000 / -.002	1.500	1.500 +.000 / -.002	2.033 +.005 / -.005	0.140 +.005 / -.005			5.32	
RCAT-4T0487	1.625 +.000 / -.002	1.625	1.625 +.000 / -.002	2.160 +.005 / -.005	0.140 +.005 / -.005			5.48	
RCAT-6J9178	1.750 +.000 / -.002	1.750	1.750 +.000 / -.002	2.283 +.005 / -.005	0.140 +.005 / -.005			5.64	
RCAT-4T6778	1.875 +.000 / -.002	1.875	1.875 +.000 / -.002	2.252 +.005 / -.005	0.140 +.005 / -.005			12.79	
RCAT-6J6917	2.000 +.000 / -.002	2.000	2.000 +.000 / -.002	2.533 +.005 / -.005	0.140 +.005 / -.005			6.56	
RCAT-4T6127	2.125 +.000 / -.002	2.125	2.125 +.000 / -.002	2.627 +.005 / -.005	0.140 +.005 / -.005			6.67	
RCAT-5J3616	2.250 +.000 / -.002	2.250	2.250 +.000 / -.002	2.891 +.005 / -.005	0.220 +.005 / -.005			6.83	
RCAT-6J6916	2.375 +.000 / -.002	2.375	2.375 +.000 / -.002	3.016 +.005 / -.005	0.220 +.005 / -.005			7.20	
RCAT-5J3620	2.500 +.000 / -.002	2.500	2.500 +.000 / -.002	3.141 +.005 / -.005	0.220 +.005 / -.005			7.42	
RCAT-1U4020	2.625 +.000 / -.002	2.625	2.625 +.000 / -.002	3.266 +.005 / -.005	0.220 +.005 / -.005			8.01	
RCAT-6J6553	2.750 +.000 / -.002	2.750	2.750 +.000 / -.002	3.391 +.005 / -.005	0.220 +.005 / -.005			8.06	
RCAT-6J6915	3.000 +.000 / -.003	3.000	3.000 +.000 / -.003	3.641 +.005 / -.005	0.220 +.005 / -.005			8.28	
RCAT-6J7167	3.250 +.000 / -.003	3.250	3.250 +.000 / -.003	3.891 +.005 / -.005	0.220 +.005 / -.005			8.87	
RCAT-6J6736	3.500 +.000 / -.003	3.500	3.500 +.000 / -.003	4.141 +.005 / -.005	0.220 +.005 / -.005			9.25	
RCAT-3G1259	3.625 +.000 / -.003	3.625	3.625 +.000 / -.003	4.266 +.005 / -.005	0.220 +.005 / -.005			10.21	
RCAT-8J6070	3.750 +.000 / -.003	3.750	3.750 +.000 / -.003	4.391 +.005 / -.005	0.220 +.005 / -.005			10.97	
RCAT-7J3863	4.000 +.000 / -.005	4.000	0/R +.000 / -.005	0/R +.005 / -.005	0/R +.005 / -.005			14.24	
RCAT-7J3864	4.000 +.000 / -.005	4.000	0/R +.000 / -.005	0/R +.005 / -.005	0/R +.005 / -.005			26.12	
RCAT-8J4627	4.000 +.000 / -.005	4.000	4.000 +.000 / -.005	4.641 +.005 / -.005	0.220 +.005 / -.005			11.61	
RCAT-7J8943	4.250 +.000 / -.005	4.250	4.250 +.000 / -.005	5.225 +.005 / -.005	0.250 +.005 / -.005			13.17	
RCAT-3G5055	4.375 +.000 / -.005	4.375	4.375 +.000 / -.005	5.225 +.005 / -.005	0.250 +.005 / -.005			14.51	
RCAT-8J0388	4.500 +.000 / -.005	4.500	0/R +.000 / -.005	0/R +.005 / -.005	0/R +.005 / -.005			70.31	
RCAT-3G8507	4.500 +.000 / -.005	4.500	4.500 +.000 / -.005	5.475 +.005 / -.005	0.250 +.005 / -.005			15.32	
RCAT-7J9257	4.750 +.000 / -.005	4.750	4.750 +.000 / -.005	5.725 +.005 / -.005	0.250 +.005 / -.005			16.13	
RCAT-9J2548	5.000 +.000 / -.005	5.000	0/R +.000 / -.005	0/R +.005 / -.005	0/R +.005 / -.005			31.44	
RCAT-9J3053	5.000 +.000 / -.005	5.000	0/R +.000 / -.005	0/R +.005 / -.005	0/R +.005 / -.005			14.03	
RCAT-8J4509	5.000 +.000 / -.005	5.000	5.000 +.000 / -.005	5.960 +.005 / -.005	0.250 +.005 / -.005			17.09	
RCAT-4T5717	5.250 +.000 / -.005	5.250	5.250 +.000 / -.005	6.210 +.005 / -.005	0.250 +.005 / -.005			18.81	
RCAT-8J9449	5.500 +.000 / -.005	5.500	0/R +.000 / -.005	0/R +.005 / -.005	0/R +.005 / -.005			22.47	
RCAT-8J9450	5.500 +.000 / -.005	5.500	0/R +.000 / -.005	0/R +.005 / -.005	0/R +.005 / -.005			37.52	
RCAT-9J5468	5.750 +.000 / -.005	5.750	5.750 +.000 / -.005	6.725 +.005 / -.005	0.250 +.005 / -.005			20.26	
RCAT-7J3865	6.125 +.000 / -.005	6.125	0/R +.000 / -.005	0/R +.005 / -.005	0/R +.005 / -.005			14.94	

All manufacturer's names, part numbers and descriptions are used for reference purposes only. We do not imply that any part shown is the product of these manufacturers.

INDUSTRIAL  
SEAL KITS

MOBILE  
SEAL KITS

CATERPILLAR

## SEAL RING

## CAT PARTS - ROD SEALS - INCH

INDUSTRIAL SEAL KITS

MOBILE SEAL KITS

CATERPILLAR

Ref. Number	Rod Diameter		Nominal Seal Dimensions			Housing Dimensions						\$
		Tol.	d	D	h	d1	Tol.	D1	Tol.	h1	Tol.	
RCAT-7J3866	6.125	+ .000 / -.005	6.125			O/R	+ .000 / -.005	O/R	+ .005 / -.005	O/R	+ .005 / -.005	62.89
RCAT-9J1186	6.500	+ .000 / -.005	6.500			O/R	+ .000 / -.005	O/R	+ .005 / -.005	O/R	+ .005 / -.005	47.52
RCAT-9J1203	6.500	+ .000 / -.005	6.500			O/R	+ .000 / -.005	O/R	+ .005 / -.005	O/R	+ .005 / -.005	17.47
RCAT-6J8631	6.500	+ .000 / -.005	6.500			6.500	+ .000 / -.005	7.502	+ .005 / -.005	0.250	+ .005 / -.005	21.34
RCAT-3G8506	6.750	+ .000 / -.005	6.750			6.750	+ .000 / -.005	7.695	+ .005 / -.005	0.250	+ .005 / -.005	21.72
RCAT-9J2495	7.000	+ .000 / -.005	7.000			7.000	+ .000 / -.005	7.945	+ .005 / -.005	0.250	+ .005 / -.005	22.15
RCAT-8T3539	7.000	+ .000 / -.005	7.000			O/R	+ .000 / -.005	O/R	+ .005 / -.005	O/R	+ .005 / -.005	37.73
RCAT-8T3540	7.000	+ .000 / -.005	7.000			O/R	+ .000 / -.005	O/R	+ .005 / -.005	O/R	+ .005 / -.005	19.67
RCAT-5J1731	7.000	+ .000 / -.005	7.000			O/R	+ .000 / -.005	O/R	+ .005 / -.005	O/R	+ .005 / -.005	18.38
RCAT-5J5150	7.000	+ .000 / -.005	7.000			O/R	+ .000 / -.005	O/R	+ .005 / -.005	O/R	+ .005 / -.005	14.24
RCAT-4T4803	7.250	+ .000 / -.005	7.250			O/R	+ .000 / -.005	O/R	+ .005 / -.005	O/R	+ .005 / -.005	56.59
RCAT-4T4804	7.250	+ .000 / -.005	7.250			O/R	+ .000 / -.005	O/R	+ .005 / -.005	O/R	+ .005 / -.005	23.01
RCAT-7J3867	7.500	+ .000 / -.005	7.500			O/R	+ .000 / -.005	O/R	+ .005 / -.005	O/R	+ .005 / -.005	46.17
RCAT-7J3868	7.500	+ .000 / -.005	7.500			O/R	+ .000 / -.005	O/R	+ .005 / -.005	O/R	+ .005 / -.005	24.60
RCAT-1214165	7.750	+ .000 / -.005	7.750			O/R	+ .000 / -.005	O/R	+ .005 / -.005	O/R	+ .005 / -.005	58.75
RCAT-1214166	7.750	+ .000 / -.005	7.750			O/R	+ .000 / -.005	O/R	+ .005 / -.005	O/R	+ .005 / -.005	25.26
RCAT-8J9916	8.500	+ .000 / -.005	8.500			O/R	+ .000 / -.005	O/R	+ .005 / -.005	O/R	+ .005 / -.005	64.23
RCAT-6E0250	8.750	+ .000 / -.005	8.750			O/R	+ .000 / -.005	O/R	+ .005 / -.005	O/R	+ .005 / -.005	66.81
RCAT-6E0251	8.750	+ .000 / -.005	8.750			O/R	+ .000 / -.005	O/R	+ .005 / -.005	O/R	+ .005 / -.005	21.55
RCAT-6J7693	9.000	+ .000 / -.005	9.000			O/R	+ .000 / -.005	O/R	+ .005 / -.005	O/R	+ .005 / -.005	26.61
RCAT-8T3541	9.000	+ .000 / -.005	9.000			O/R	+ .000 / -.005	O/R	+ .005 / -.005	O/R	+ .005 / -.005	14.51
RCAT-8T3542	9.000	+ .000 / -.005	9.000			O/R	+ .000 / -.005	O/R	+ .005 / -.005	O/R	+ .005 / -.005	25.91
RCAT-4T4806	10.500	+ .000 / -.005	10.500			O/R	+ .000 / -.005	O/R	+ .005 / -.005	O/R	+ .005 / -.005	79.82
RCAT-4T4807	10.500	+ .000 / -.005	10.500			O/R	+ .000 / -.005	O/R	+ .005 / -.005	O/R	+ .005 / -.005	137.06
RCAT-1U4623	11.000	+ .000 / -.005	11.000			O/R	+ .000 / -.005	O/R	+ .005 / -.005	O/R	+ .005 / -.005	72.40
RCAT-1U4624	11.000	+ .000 / -.005	11.000			O/R	+ .000 / -.005	O/R	+ .005 / -.005	O/R	+ .005 / -.005	30.32
RCAT-8T7575	11.000	+ .000 / -.005	11.000			O/R	+ .000 / -.005	O/R	+ .005 / -.005	O/R	+ .005 / -.005	82.51
RCAT-8T7576	11.000	+ .000 / -.005	11.000			O/R	+ .000 / -.005	O/R	+ .005 / -.005	O/R	+ .005 / -.005	21.02
RCAT-1214163	11.500	+ .000 / -.005	11.500			O/R	+ .000 / -.005	O/R	+ .005 / -.005	O/R	+ .005 / -.005	77.02
RCAT-1214164	11.500	+ .000 / -.005	11.500			O/R	+ .000 / -.005	O/R	+ .005 / -.005	O/R	+ .005 / -.005	24.51
RCAT-8T7573	12.500	+ .000 / -.005	12.500			O/R	+ .000 / -.005	O/R	+ .005 / -.005	O/R	+ .005 / -.005	92.29
RCAT-8T7574	12.500	+ .000 / -.005	12.500			O/R	+ .000 / -.005	O/R	+ .005 / -.005	O/R	+ .005 / -.005	117.71

All manufacturer's names, part numbers and descriptions are used for reference purposes only. We do not imply that any part shown is the product of these manufacturers.

**Tel.: (905) 362-0889**  
**Fax: (888) 238-1664**

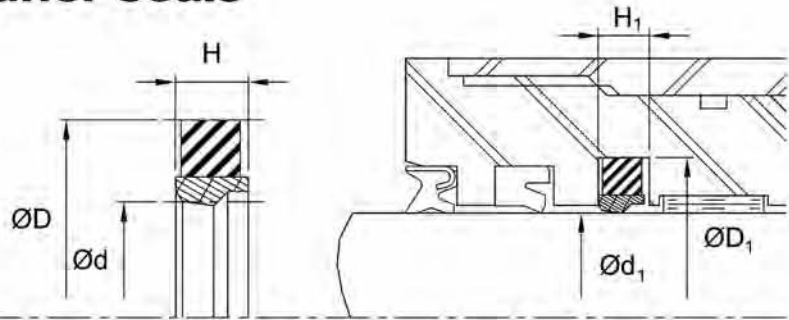
**KITS 255**

**www.sealsonline.com**

## CAT PARTS - ROD SEALS - INCH

## STEP SEAL

### CAT STEP SEAL - Buffer Seals PTFE/Nitrile



Temperature: -30/250F [ -34/121C ]

Pressure: 5800 PSI [ 400 Bar ]

Ref. Number	Rod Diameter	Nominal Seal Dimensions			Housing Dimensions					\$	
	Tol.	d	D	H	d1	Tol.	D1	Tol.	H1		Tol.
RCAT-1353251	1.250 +.000 / -.002	1.250			1.250 +.000 / -.002		1.780 +.005 / -.005		0.140 +.005 / -.005		0/R
RCAT-8C9122	1.500 +.000 / -.002	1.500			1.500 +.000 / -.002		2.033 +.005 / -.005		0.140 +.005 / -.005		13.22
RCAT-8C9117	1.625 +.000 / -.002	1.625			1.625 +.000 / -.002		2.158 +.005 / -.005		0.140 +.005 / -.005		13.71
RCAT-8C9123	1.750 +.000 / -.002	1.750			1.750 +.000 / -.002		2.283 +.005 / -.005		0.140 +.005 / -.005		14.24
RCAT-9X3566	1.875 +.000 / -.002	1.875			1.875 +.000 / -.002		2.252 +.005 / -.005		0.140 +.005 / -.005		14.84
RCAT-8C9124	2.000 +.000 / -.002	2.000			2.000 +.000 / -.002		2.533 +.005 / -.005		0.140 +.005 / -.005		15.48
RCAT-9X3568	2.125 +.000 / -.002	2.125			2.125 +.000 / -.002		2.627 +.005 / -.005		0.140 +.005 / -.005		18.01
RCAT-8C9125	2.250 +.000 / -.002	2.250			2.250 +.000 / -.002		2.891 +.005 / -.005		0.220 +.005 / -.005		19.89
RCAT-8C9138	2.375 +.000 / -.002	2.375			2.375 +.000 / -.002		3.016 +.005 / -.005		0.220 +.005 / -.005		22.15
RCAT-8C3839	2.500 +.000 / -.002	2.500			2.500 +.000 / -.002		3.141 +.005 / -.005		0.220 +.005 / -.005		23.17
RCAT-9T9363	2.625 +.000 / -.002	2.625			2.625 +.000 / -.002		3.266 +.005 / -.005		0.220 +.005 / -.005		24.51
RCAT-8C3841	2.750 +.000 / -.002	2.750			2.750 +.000 / -.002		3.391 +.005 / -.005		0.220 +.005 / -.005		25.16
RCAT-8C9126	3.000 +.000 / -.003	3.000			3.000 +.000 / -.003		3.641 +.005 / -.005		0.220 +.005 / -.005		26.50
RCAT-8C9121	3.250 +.000 / -.003	3.250			3.250 +.000 / -.003		3.891 +.005 / -.005		0.220 +.005 / -.005		27.57
RCAT-8C9127	3.500 +.000 / -.003	3.500			3.500 +.000 / -.003		4.141 +.005 / -.005		0.220 +.005 / -.005		28.27
RCAT-8C9128	3.750 +.000 / -.003	3.750			3.750 +.000 / -.003		4.391 +.005 / -.005		0.220 +.005 / -.005		29.94
RCAT-8C9129	4.000 +.000 / -.005	4.000			4.000 +.000 / -.005		4.641 +.005 / -.005		0.220 +.005 / -.005		31.71
RCAT-6E0425	4.250 +.000 / -.005	4.250			4.250 +.000 / -.005		5.225 +.005 / -.005		0.250 +.005 / -.005		52.41
RCAT-8C9144	4.500 +.000 / -.005	4.500			4.500 +.000 / -.005		5.475 +.005 / -.005		0.250 +.005 / -.005		54.29
RCAT-9X7261	4.750 +.000 / -.005	4.750			4.750 +.000 / -.005		5.725 +.005 / -.005		0.250 +.005 / -.005		55.31
RCAT-9X3581	5.000 +.000 / -.005	5.000			5.000 +.000 / -.005		5.960 +.005 / -.005		0.250 +.005 / -.005		56.76
RCAT-9X7267	5.250 +.000 / -.005	5.250			5.250 +.000 / -.005		6.210 +.005 / -.005		0.250 +.005 / -.005		58.27
RCAT-9X3572	5.500 +.000 / -.005	5.500			5.500 +.000 / -.005		6.116 +.005 / -.005		0.250 +.005 / -.005		60.90
RCAT-9X3575	5.750 +.000 / -.005	5.750			5.750 +.000 / -.005		6.725 +.005 / -.005		0.250 +.005 / -.005		62.35
RCAT-9X3614	6.000 +.000 / -.005	6.000			6.000 +.000 / -.005		6.619 +.005 / -.005		0.250 +.005 / -.005		67.03
RCAT-9X7322	6.500 +.000 / -.005	6.500			6.500 +.000 / -.005		7.502 +.005 / -.005		0.250 +.005 / -.005		72.89
RCAT-8C9145	6.750 +.000 / -.005	6.750			6.750 +.000 / -.005		7.695 +.005 / -.005		0.250 +.005 / -.005		77.67
RCAT-8C9130	7.000 +.000 / -.005	7.000			7.000 +.000 / -.005		7.945 +.005 / -.005		0.250 +.005 / -.005		80.41
RCAT-1080133	7.250 +.000 / -.005	7.250			7.250 +.000 / -.005		8.080 +.005 / -.005		0.250 +.005 / -.005		0/R
RCAT-1080131	7.500 +.000 / -.005	7.500			7.500 +.000 / -.005		8.330 +.005 / -.005		0.320 +.005 / -.005		151.79
RCAT-6E0246	8.000 +.000 / -.005	8.000			8.000 +.000 / -.005		8.833 +.005 / -.005		0.320 +.005 / -.005		0/R
RCAT-9X7327	8.250 +.000 / -.005	8.250			8.250 +.000 / -.005		9.080 +.005 / -.005		0.320 +.005 / -.005		0/R
RCAT-1086212	8.750 +.000 / -.005	8.750			8.750 +.000 / -.005		9.580 +.005 / -.005		0.320 +.005 / -.005		0/R

All manufacturer's names, part numbers and descriptions are used for reference purposes only. We do not imply that any part shown is the product of these manufacturers.

INDUSTRIAL SEAL KITS

MOBILE SEAL KITS



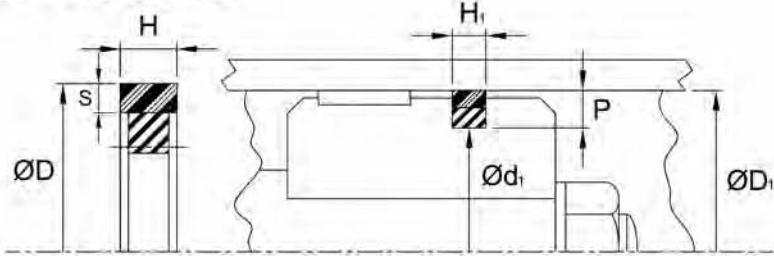
CATERPILLAR

## TYPE-1

## CAT PARTS - PISTON SEALS - INCH

### CAT TYPE-1 - Piston Seals

PTFE/Nitrile



Temperature: -65/225F [ -54/107C ]

Pressure: 5000 PSI [ 345 BAR ]

Ref. Number	Bore Diameter		Nominal Seal Dimensions				Housing Dimensions				\$
		Tol.	D	S	H	EXP.	d1	Tol.	H1	Tol.	
RCAT-3E4277	1.000	+ .003 / - .000	1.000				0.691	+ .003 / - .003	0.129	+ .002 / - .002	9.14
RCAT-3E4278	1.250	+ .003 / - .000	1.250				0.941	+ .003 / - .003	0.129	+ .002 / - .002	9.41
RCAT-5J9822	1.500	+ .003 / - .000	1.500				1.106	+ .003 / - .003	0.118	+ .002 / - .002	9.94
RCAT-3E4279	1.750	+ .003 / - .000	1.750				1.441	+ .003 / - .003	0.129	+ .002 / - .002	10.54
RCAT-5J7004	2.000	+ .003 / - .000	2.000				1.625	+ .003 / - .003	0.192	+ .002 / - .002	10.86
RCAT-1U3998	2.250	+ .003 / - .000	2.250				1.875	+ .003 / - .003	0.192	+ .002 / - .002	11.56
RCAT-8J6213	2.500	+ .003 / - .000	2.500				2.125	+ .003 / - .003	0.192	+ .002 / - .002	12.36
RCAT-5J7010	2.750	+ .003 / - .000	2.750				2.375	+ .003 / - .003	0.192	+ .002 / - .002	13.60
RCAT-6J1972	3.000	+ .004 / - .000	3.000				2.460	+ .003 / - .003	0.192	+ .002 / - .002	13.92
RCAT-6J0793	3.250	+ .004 / - .000	3.250				2.710	+ .003 / - .003	0.192	+ .002 / - .002	14.62
RCAT-5J7013	3.500	+ .004 / - .000	3.500				2.960	+ .003 / - .003	0.192	+ .002 / - .002	15.53
RCAT-5J8011	3.750	+ .004 / - .000	3.750				3.210	+ .003 / - .003	0.192	+ .002 / - .002	16.39
RCAT-9J9872	4.000	+ .004 / - .000	4.000				3.210	+ .003 / - .003	0.192	+ .002 / - .002	18.81
RCAT-5J5402	4.000	+ .004 / - .000	4.000				3.335	+ .003 / - .003	0.252	+ .002 / - .002	18.11
RCAT-7J2032	4.000	+ .004 / - .000	4.000				3.482	+ .003 / - .003	0.252	+ .002 / - .002	O/R
RCAT-4T0529	4.125	+ .004 / - .000	4.125				3.460	+ .003 / - .003	0.252	+ .002 / - .002	19.46
RCAT-5J7854	4.250	+ .004 / - .000	4.250				3.585	+ .003 / - .003	0.252	+ .002 / - .002	20.16
RCAT-5J4986	4.500	+ .004 / - .000	4.500				3.835	+ .003 / - .003	0.252	+ .002 / - .002	22.41
RCAT-5J4987	4.750	+ .004 / - .000	4.750				4.090	+ .003 / - .003	0.252	+ .002 / - .002	25.53
RCAT-9X7542	4.750	+ .004 / - .000	4.750				4.090	+ .003 / - .003	0.252	+ .002 / - .002	26.66
RCAT-5J5020	5.000	+ .004 / - .000	5.000				4.225	+ .003 / - .003	0.379	+ .002 / - .002	27.52
RCAT-5J7234	5.250	+ .004 / - .000	5.250				4.480	+ .003 / - .003	0.379	+ .002 / - .002	32.20
RCAT-5J4988	5.500	+ .004 / - .000	5.500				4.725	+ .003 / - .003	0.379	+ .002 / - .002	32.79
RCAT-9J4981	5.750	+ .004 / - .000	5.750				4.975	+ .003 / - .003	0.379	+ .002 / - .002	34.02
RCAT-5J4989	6.000	+ .004 / - .000	6.000				5.095	+ .003 / - .003	0.379	+ .002 / - .002	34.51
RCAT-5J4990	6.250	+ .004 / - .000	6.250				5.345	+ .003 / - .003	0.379	+ .002 / - .002	35.69
RCAT-5J4991	6.500	+ .004 / - .000	6.500				5.595	+ .003 / - .003	0.379	+ .002 / - .002	37.03
RCAT-5J4997	7.000	+ .005 / - .000	7.000				6.095	+ .003 / - .003	0.379	+ .002 / - .002	38.70
RCAT-5J4993	7.250	+ .005 / - .000	7.250				6.345	+ .003 / - .003	0.379	+ .002 / - .002	40.37
RCAT-9J7117	7.500	+ .005 / - .000	7.500				6.595	+ .003 / - .003	0.379	+ .002 / - .002	42.14
RCAT-5J7016	7.750	+ .005 / - .000	7.750				6.845	+ .003 / - .003	0.379	+ .002 / - .002	43.91
RCAT-3E4280	8.000	+ .005 / - .000	8.000				7.254	+ .003 / - .003	0.379	+ .002 / - .002	45.85
RCAT-5J5559	8.250	+ .005 / - .000	8.250				7.255	+ .003 / - .003	0.379	+ .002 / - .002	48.21
RCAT-6J9385	8.500	+ .005 / - .000	8.500				7.505	+ .003 / - .003	0.379	+ .002 / - .002	49.88
RCAT-3E4281	9.000	+ .005 / - .000	9.000				8.137	+ .003 / - .003	0.379	+ .002 / - .002	O/R

All manufacturer's names, part numbers and descriptions are used for reference purposes only. We do not imply that any part shown is the product of these manufacturers.

Tel.: (204) 783-9617  
Fax: (204) 783-6091

**KITS 257**

[www.sealsonline.com](http://www.sealsonline.com)

INDUSTRIAL  
SEAL KITS

MOBILE  
SEAL KITS



CATERPILLAR

## CAT PARTS - PISTON SEALS - INCH

## TYPE-1


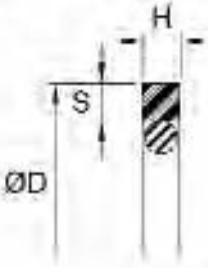
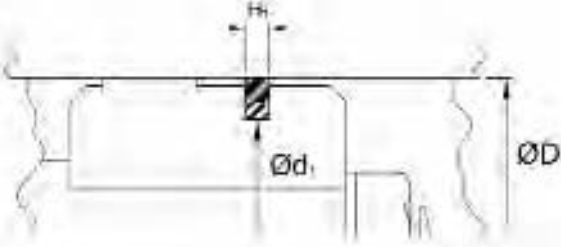
Ref. Number	Bore Diameter	Nominal Seal Dimensions				Housing Dimensions				\$	
	Tol.	D	S	H	EXP.	d1	Tol.	H1	Tol.		
RCAT-8T6923	9.500	+0.006 / -0.000	9.500				8.380	+0.003 / -0.003	0.440	+0.002 / -0.002	O/R
RCAT-3E4282	9.500	+0.005 / -0.000	9.500				8.637	+0.003 / -0.003	0.379	+0.002 / -0.002	O/R
RCAT-1214179	10.000	+0.005 / -0.000	10.000				8.880	+0.003 / -0.003	0.440	+0.002 / -0.002	O/R
RCAT-5J6762	10.500	+0.005 / -0.000	10.500				9.380	+0.003 / -0.003	0.440	+0.002 / -0.002	O/R
RCAT-6E0253	11.000	+0.006 / -0.000	11.000				9.880	+0.003 / -0.003	0.440	+0.002 / -0.002	O/R

## CAT PARTS - PISTON SEALS - INCH

## TYPE-2

### CAT TYPE-2 - Piston Seals

PTFE/Nitrile

**Temperature: -40/200F [ -40/93C ]**      **Pressure: 5000 PSI [ 345 BAR ]**

Ref. Number	Bore Diameter	Nominal Seal Dimensions				Housing Dimensions				\$	
	Tol.	D	S	H	EXP.	d1	Tol.	H1	Tol.		
RCAT-3E4241	0.500	+0.003 / -0.000	0.500				0.240	+0.003 / -0.003	0.083	+0.002 / -0.002	3.23
RCAT-3E4242	0.625	+0.003 / -0.000	0.625				0.365	+0.003 / -0.003	0.083	+0.002 / -0.002	3.39
RCAT-3E4243	0.750	+0.003 / -0.000	0.750				0.490	+0.003 / -0.003	0.083	+0.002 / -0.002	3.55
RCAT-3E4244	1.000	+0.003 / -0.000	1.000				0.740	+0.003 / -0.003	0.083	+0.002 / -0.002	3.71
RCAT-3E4245	1.125	+0.003 / -0.000	1.125				0.865	+0.003 / -0.003	0.083	+0.002 / -0.002	4.03
RCAT-3E4246	1.250	+0.003 / -0.000	1.250				0.990	+0.003 / -0.003	0.083	+0.002 / -0.002	4.14
RCAT-3E4247	1.500	+0.003 / -0.000	1.500				1.240	+0.003 / -0.003	0.083	+0.002 / -0.002	4.30
RCAT-3E4248	1.625	+0.003 / -0.000	1.625				1.236	+0.003 / -0.003	0.122	+0.002 / -0.002	4.35
RCAT-3E4249	1.750	+0.003 / -0.000	1.750				1.360	+0.003 / -0.003	0.122	+0.002 / -0.002	4.46
RCAT-3E4250	2.000	+0.003 / -0.000	2.000				1.606	+0.003 / -0.003	0.130	+0.002 / -0.002	4.62
RCAT-3E4251	2.250	+0.003 / -0.000	2.250				1.856	+0.003 / -0.003	0.130	+0.002 / -0.002	4.84
RCAT-3E4252	2.500	+0.003 / -0.000	2.500				2.106	+0.003 / -0.003	0.130	+0.002 / -0.002	4.89
RCAT-3E4253	2.750	+0.003 / -0.000	2.750				2.357	+0.003 / -0.003	0.130	+0.002 / -0.002	4.95
RCAT-3E4254	3.000	+0.004 / -0.000	3.000				2.606	+0.003 / -0.003	0.130	+0.002 / -0.002	5.05
RCAT-3E4255	3.250	+0.004 / -0.000	3.250				2.856	+0.003 / -0.003	0.130	+0.002 / -0.002	5.16
RCAT-3E4256	3.500	+0.004 / -0.000	3.500				3.106	+0.003 / -0.003	0.130	+0.002 / -0.002	5.27
RCAT-3E4257	3.750	+0.004 / -0.000	3.750				3.210	+0.003 / -0.003	0.130	+0.002 / -0.002	5.75
RCAT-3E4258	4.000	+0.004 / -0.000	4.000				3.606	+0.003 / -0.003	0.130	+0.002 / -0.002	5.81
RCAT-3E4259	4.250	+0.004 / -0.000	4.250				3.856	+0.003 / -0.003	0.130	+0.002 / -0.002	5.97
RCAT-3E4260	4.500	+0.004 / -0.000	4.500				4.106	+0.003 / -0.003	0.130	+0.002 / -0.002	6.50
RCAT-3E4261	4.750	+0.004 / -0.000	4.750				4.356	+0.003 / -0.003	0.130	+0.002 / -0.002	7.10
RCAT-3E4262	5.000	+0.004 / -0.000	5.000				4.606	+0.003 / -0.003	0.130	+0.002 / -0.002	7.26

All manufacturer's names, part numbers and descriptions are used for reference purposes only. We do not imply that any part shown is the product of these manufacturers.

INDUSTRIAL SEAL KITS

MOBILE SEAL KITS



CATERPILLAR

## TYPE-2

## CAT PARTS - PISTON SEALS - INCH


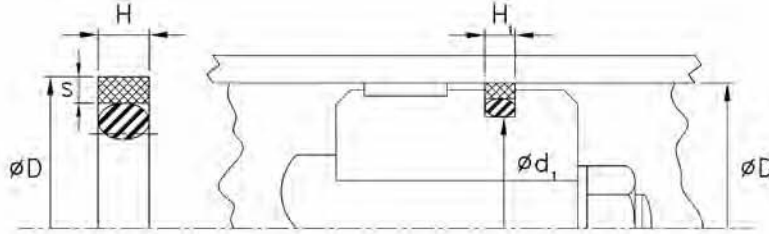
Ref. Number	Bore Diameter	Nominal Seal Dimensions				Housing Dimensions				\$	
	Tol.	D	S	H	EXP.	d1	Tol.	H1	Tol.		
RCAT-3E4263	5.250	+0.004 / -0.000	5.250				4.856	+0.003 / -0.003	0.130	+0.002 / -0.002	7.79
RCAT-3E4264	5.500	+0.004 / -0.000	5.500				5.106	+0.003 / -0.003	0.130	+0.002 / -0.002	8.01
RCAT-3E4265	5.750	+0.004 / -0.000	5.750				5.232	+0.003 / -0.003	0.160	+0.002 / -0.002	8.49
RCAT-3E4266	6.000	+0.004 / -0.000	6.000				5.482	+0.003 / -0.003	0.160	+0.002 / -0.002	8.92
RCAT-3E4267	6.250	+0.004 / -0.000	6.250				5.732	+0.003 / -0.003	0.160	+0.002 / -0.002	9.51
RCAT-3E4268	6.500	+0.004 / -0.000	6.500				5.982	+0.003 / -0.003	0.160	+0.002 / -0.002	11.29
RCAT-3E4269	6.750	+0.005 / -0.000	6.750				6.232	+0.003 / -0.003	0.160	+0.002 / -0.002	11.45
RCAT-3E4270	7.000	+0.005 / -0.000	7.000				6.482	+0.003 / -0.003	0.160	+0.002 / -0.002	11.61
RCAT-3E4271	7.250	+0.005 / -0.000	7.250				6.732	+0.003 / -0.003	0.160	+0.002 / -0.002	11.61
RCAT-3E4272	7.500	+0.005 / -0.000	7.500				6.982	+0.003 / -0.003	0.160	+0.002 / -0.002	11.66
RCAT-3E4273	7.750	+0.005 / -0.000	7.750				7.232	+0.003 / -0.003	0.160	+0.002 / -0.002	11.88
RCAT-3E4274	8.000	+0.005 / -0.000	8.000				7.482	+0.003 / -0.003	0.160	+0.002 / -0.002	12.90
RCAT-3E4275	8.250	+0.005 / -0.000	8.250				7.730	+0.003 / -0.003	0.160	+0.002 / -0.002	28.60
RCAT-3E4276	8.500	+0.005 / -0.000	8.500				7.982	+0.003 / -0.003	0.160	+0.002 / -0.002	33.38

## TYPE-3

## CAT PARTS - PISTON SEALS - INCH

### CAT TYPE-3 - Piston Seals

Nylon/Nitrile (Step Cut)

**Temperature: -40/275F [ -40/135C ]      Pressure: 5000 PSI [ 345 BAR ]**

Ref. Number	Bore Diameter	Nominal Seal Dimensions				Housing Dimensions				\$	
	Tol.	D	d	S	H	d1	Tol.	H1	Tol.		
RCAT-8C9185	1.500	+0.003 / -0.000	1.500				1.110	+0.003 / -0.003	0.120	+0.002 / -0.002	0/R
RCAT-8C9170	2.000	+0.003 / -0.000	2.000				1.630	+0.003 / -0.003	0.190	+0.002 / -0.002	0/R
RCAT-8C4905	2.280	+0.003 / -0.000	2.280				1.875	+0.003 / -0.003	0.192	+0.002 / -0.002	0/R
RCAT-8C4908	2.310	+0.003 / -0.000	2.310				1.875	+0.003 / -0.003	0.192	+0.002 / -0.002	0/R
RCAT-8C9167	2.500	+0.003 / -0.000	2.500				2.130	+0.003 / -0.003	0.190	+0.002 / -0.002	0/R
RCAT-8C4911	2.530	+0.003 / -0.000	2.530				2.125	+0.003 / -0.003	0.192	+0.002 / -0.002	0/R
RCAT-8C4914	2.560	+0.003 / -0.000	2.560				2.125	+0.003 / -0.003	0.192	+0.002 / -0.002	0/R
RCAT-8C4917	2.780	+0.003 / -0.000	2.780				2.375	+0.003 / -0.003	0.192	+0.002 / -0.002	0/R
RCAT-8C4920	2.810	+0.003 / -0.000	2.810				2.375	+0.003 / -0.003	0.192	+0.002 / -0.002	0/R
RCAT-9X7337	3.000	+0.004 / -0.000	3.000				2.460	+0.003 / -0.003	0.192	+0.002 / -0.002	0/R
RCAT-8T8209	3.030	+0.004 / -0.000	3.030				2.460	+0.003 / -0.003	0.192	+0.002 / -0.002	0/R
RCAT-8T8212	3.060	+0.004 / -0.000	3.060				2.460	+0.003 / -0.003	0.192	+0.002 / -0.002	0/R
RCAT-8C4923	3.280	+0.004 / -0.000	3.280				2.710	+0.003 / -0.003	0.192	+0.002 / -0.002	0/R
RCAT-8C4926	3.310	+0.004 / -0.000	3.310				2.710	+0.003 / -0.003	0.192	+0.002 / -0.002	0/R
RCAT-4T8054	3.500	+0.004 / -0.000	3.500				2.960	+0.003 / -0.003	0.192	+0.002 / -0.002	47.57

All manufacturer's names, part numbers and descriptions are used for reference purposes only. We do not imply that any part shown is the product of these manufacturers.

**Tel.: (780) 414-1871**  
**Fax: (780) 487-5419**

**KITS 259**

[www.sealsonline.com](http://www.sealsonline.com)

INDUSTRIAL SEAL KITS

MOBILE SEAL KITS



CATERPILLAR



## CAT PARTS - PISTON SEALS - INCH

## TYPE-3

Ref. Number	Bore Diameter		Nominal Seal Dimensions				Housing Dimensions				\$
		Tol.	D	d	S	H	d1	Tol.	H1	Tol.	
RCAT-8T8215	3.530	+ .004 / - .000	3.530				2.960	+ .003 / - .003	0.192	+ .002 / - .002	0/R
RCAT-8T8218	3.560	+ .004 / - .000	3.560				2.960	+ .003 / - .003	0.192	+ .002 / - .002	0/R
RCAT-9X7274	3.750	+ .004 / - .000	3.750				3.210	+ .003 / - .003	0.192	+ .002 / - .002	0/R
RCAT-8T8221	3.780	+ .004 / - .000	3.780				3.210	+ .003 / - .003	0.192	+ .002 / - .002	0/R
RCAT-8T8224	3.810	+ .004 / - .000	3.810				3.210	+ .003 / - .003	0.192	+ .002 / - .002	0/R
RCAT-8C9160	4.000	+ .004 / - .000	4.000				3.335	+ .003 / - .003	0.252	+ .002 / - .002	53.86
RCAT-8T8227	4.030	+ .004 / - .000	4.030				3.335	+ .003 / - .003	0.252	+ .002 / - .002	0/R
RCAT-8T8230	4.060	+ .004 / - .000	4.060				3.335	+ .003 / - .003	0.252	+ .002 / - .002	0/R
RCAT-8C9164	4.250	+ .004 / - .000	4.250				3.585	+ .003 / - .003	0.252	+ .002 / - .002	0/R
RCAT-8T8233	4.280	+ .004 / - .000	4.280				3.585	+ .003 / - .003	0.252	+ .002 / - .002	0/R
RCAT-8T8236	4.310	+ .004 / - .000	4.310				3.585	+ .003 / - .003	0.252	+ .002 / - .002	0/R
RCAT-9X7269	4.500	+ .004 / - .000	4.500				3.835	+ .003 / - .003	0.252	+ .002 / - .002	62.19
RCAT-4T5172	4.500	+ .004 / - .000	4.500				3.835	+ .003 / - .003	0.502	+ .002 / - .002	62.19
RCAT-8T8239	4.530	+ .004 / - .000	4.530				3.835	+ .003 / - .003	0.252	+ .002 / - .002	0/R
RCAT-9X4551	4.530	+ .004 / - .000	4.530				3.835	+ .003 / - .003	0.502	+ .002 / - .002	0/R
RCAT-8T8242	4.560	+ .004 / - .000	4.560				3.835	+ .003 / - .003	0.252	+ .002 / - .002	0/R
RCAT-4T8588	4.750	+ .004 / - .000	4.750				4.085	+ .003 / - .003	0.252	+ .002 / - .002	0/R
RCAT-8C5215	4.750	+ .004 / - .000	4.750				4.085	+ .003 / - .003	0.629	+ .002 / - .002	0/R
RCAT-8T8245	4.780	+ .004 / - .000	4.780				4.085	+ .003 / - .003	0.252	+ .002 / - .002	0/R
RCAT-8T8248	4.810	+ .004 / - .000	4.810				4.085	+ .003 / - .003	0.252	+ .002 / - .002	0/R
RCAT-9X7264	5.000	+ .004 / - .000	5.000				4.225	+ .003 / - .003	0.379	+ .002 / - .002	63.16
RCAT-8T0776	5.000	+ .004 / - .000	5.000				4.440	+ .003 / - .003	0.280	+ .002 / - .002	0/R
RCAT-8T1787	5.000	+ .004 / - .000	5.000				4.225	+ .003 / - .003	0.629	+ .002 / - .002	0/R
RCAT-8T8251	5.030	+ .004 / - .000	5.030				4.225	+ .003 / - .003	0.379	+ .002 / - .002	0/R
RCAT-8T8254	5.060	+ .004 / - .000	5.060				4.225	+ .003 / - .003	0.379	+ .002 / - .002	0/R
RCAT-8T0763	5.250	+ .004 / - .000	5.250				4.475	+ .003 / - .003	0.379	+ .002 / - .002	64.39
RCAT-8T8257	5.280	+ .004 / - .000	5.280				4.475	+ .003 / - .003	0.379	+ .002 / - .002	0/R
RCAT-8T8260	5.310	+ .004 / - .000	5.310				4.475	+ .003 / - .003	0.379	+ .002 / - .002	0/R
RCAT-6E0465	5.500	+ .004 / - .000	5.500				4.725	+ .003 / - .003	0.379	+ .002 / - .002	65.31
RCAT-4T5173	5.500	+ .004 / - .000	5.500				4.725	+ .003 / - .003	0.629	+ .002 / - .002	65.31
RCAT-8T8263	5.530	+ .004 / - .000	5.530				4.725	+ .003 / - .003	0.379	+ .002 / - .002	0/R
RCAT-9X4563	5.530	+ .004 / - .000	5.530				4.725	+ .003 / - .003	0.629	+ .002 / - .002	0/R
RCAT-8T8266	5.560	+ .004 / - .000	5.560				4.725	+ .003 / - .003	0.379	+ .002 / - .002	0/R
RCAT-8C9173	6.000	+ .004 / - .000	6.000				5.095	+ .003 / - .003	0.379	+ .002 / - .002	65.84
RCAT-4T4144	6.000	+ .004 / - .000	6.000				5.095	+ .003 / - .003	0.629	+ .002 / - .002	65.84
RCAT-8T8269	6.030	+ .004 / - .000	6.030				5.095	+ .003 / - .003	0.379	+ .002 / - .002	0/R
RCAT-8C4929	6.030	+ .004 / - .000	6.030				5.095	+ .003 / - .003	0.629	+ .002 / - .002	0/R
RCAT-8T8272	6.060	+ .004 / - .000	6.060				5.095	+ .003 / - .003	0.379	+ .002 / - .002	0/R
RCAT-8C4932	6.060	+ .004 / - .000	6.060				5.095	+ .003 / - .003	0.629	+ .002 / - .002	0/R
RCAT-8T1788	6.250	+ .004 / - .000	6.250				5.345	+ .003 / - .003	0.629	+ .002 / - .002	0/R
RCAT-8T8275	6.280	+ .004 / - .000	6.280				5.345	+ .003 / - .003	0.379	+ .002 / - .002	0/R
RCAT-8C4935	6.280	+ .004 / - .000	6.280				5.345	+ .003 / - .003	0.629	+ .002 / - .002	0/R
RCAT-8T8278	6.310	+ .004 / - .000	6.310				5.345	+ .003 / - .003	0.379	+ .002 / - .002	0/R
RCAT-8C4938	6.310	+ .004 / - .000	6.310				5.345	+ .003 / - .003	0.629	+ .002 / - .002	0/R
RCAT-4T8695	6.500	+ .004 / - .000	6.500				5.595	+ .003 / - .003	0.629	+ .002 / - .002	67.19
RCAT-8T8281	6.530	+ .004 / - .000	6.530				5.595	+ .003 / - .003	0.379	+ .002 / - .002	0/R
RCAT-8C4941	6.530	+ .004 / - .000	6.530				5.595	+ .003 / - .003	0.629	+ .002 / - .002	0/R

All manufacturer's names, part numbers and descriptions are used for reference purposes only. We do not imply that any part shown is the product of these manufacturers.

INDUSTRIAL  
SEAL KITS

MOBILE  
SEAL KITS

CATERPILLAR

## TYPE-3

## CAT PARTS - PISTON SEALS - INCH

INDUSTRIAL  
SEAL KITS

MOBILE  
SEAL KITS



CATERPILLAR

Ref. Number	Bore Diameter		Nominal Seal Dimensions				Housing Dimensions				\$
		Tol.	D	d	S	H	d1	Tol.	H1	Tol.	
RCAT-8T8284	6.560	+ .004 / -.000	6.560				5.595	+ .003 / -.003	0.379	+ .002 / -.002	0/R
RCAT-8C4944	6.560	+ .004 / -.000	6.560				5.595	+ .003 / -.003	0.629	+ .002 / -.002	0/R
RCAT-8T1789	7.000	+ .005 / -.000	7.000				6.095	+ .003 / -.003	0.629	+ .002 / -.002	68.59
RCAT-8T8287	7.030	+ .005 / -.000	7.030				6.095	+ .003 / -.003	0.379	+ .002 / -.002	0/R
RCAT-8C5100	7.030	+ .005 / -.000	7.030				6.095	+ .003 / -.003	0.629	+ .002 / -.002	0/R
RCAT-8T8290	7.060	+ .005 / -.000	7.060				6.095	+ .003 / -.003	0.379	+ .002 / -.002	0/R
RCAT-8C5103	7.060	+ .005 / -.000	7.060				6.095	+ .003 / -.003	0.629	+ .002 / -.002	0/R
RCAT-8T1790	7.250	+ .005 / -.000	7.250				6.345	+ .003 / -.003	0.629	+ .002 / -.002	0/R
RCAT-8T8293	7.280	+ .005 / -.000	7.280				6.345	+ .003 / -.003	0.379	+ .002 / -.002	0/R
RCAT-8C5112	7.280	+ .005 / -.000	7.280				6.345	+ .003 / -.003	0.629	+ .002 / -.002	0/R
RCAT-8T8296	7.310	+ .005 / -.000	7.310				6.345	+ .003 / -.003	0.379	+ .002 / -.002	0/R
RCAT-8C5115	7.310	+ .005 / -.000	7.310				6.345	+ .003 / -.003	0.629	+ .002 / -.002	0/R
RCAT-8T1791	7.500	+ .005 / -.000	7.500				6.595	+ .003 / -.003	0.629	+ .002 / -.002	0/R
RCAT-8C0558	7.530	+ .005 / -.000	7.530				6.595	+ .003 / -.003	0.379	+ .002 / -.002	0/R
RCAT-8C5118	7.530	+ .005 / -.000	7.530				6.595	+ .003 / -.003	0.629	+ .002 / -.002	0/R
RCAT-8C0561	7.560	+ .005 / -.000	7.560				6.595	+ .003 / -.003	0.379	+ .002 / -.002	0/R
RCAT-8C5121	7.560	+ .005 / -.000	7.560				6.595	+ .003 / -.003	0.629	+ .002 / -.002	0/R
RCAT-8T1792	7.750	+ .005 / -.000	7.750				6.845	+ .003 / -.003	0.629	+ .002 / -.002	68.96
RCAT-8C5124	7.780	+ .005 / -.000	7.780				6.845	+ .003 / -.003	0.629	+ .002 / -.002	0/R
RCAT-8C5127	7.810	+ .005 / -.000	7.810				6.845	+ .003 / -.003	0.629	+ .002 / -.002	0/R
RCAT-8T1793	8.250	+ .005 / -.000	8.250				7.255	+ .003 / -.003	0.629	+ .002 / -.002	69.66
RCAT-8T8299	8.280	+ .005 / -.000	8.280				7.255	+ .003 / -.003	0.379	+ .002 / -.002	0/R
RCAT-8C5130	8.280	+ .005 / -.000	8.280				7.255	+ .003 / -.003	0.629	+ .002 / -.002	0/R
RCAT-8T8302	8.310	+ .005 / -.000	8.310				7.255	+ .003 / -.003	0.379	+ .002 / -.002	0/R
RCAT-8C5133	8.310	+ .005 / -.000	8.310				7.255	+ .003 / -.003	0.629	+ .002 / -.002	0/R
RCAT-9T0119	8.500	+ .005 / -.000	8.500				7.505	+ .003 / -.003	0.629	+ .002 / -.002	70.14
RCAT-8C5136	8.530	+ .005 / -.000	8.530				7.505	+ .003 / -.003	0.629	+ .002 / -.002	0/R
RCAT-8C5139	8.560	+ .005 / -.000	8.560				7.505	+ .003 / -.003	0.629	+ .002 / -.002	0/R
RCAT-4T4143	9.250	+ .005 / -.000	9.250				8.255	+ .003 / -.003	0.379	+ .002 / -.002	0/R
RCAT-8T8305	9.280	+ .005 / -.000	9.280				8.255	+ .003 / -.003	0.379	+ .002 / -.002	0/R
RCAT-8T8384	9.310	+ .005 / -.000	9.310				8.255	+ .003 / -.003	0.379	+ .002 / -.002	0/R
RCAT-9X7321	9.500	+ .005 / -.000	9.500				8.506	+ .003 / -.003	0.379	+ .002 / -.002	0/R
RCAT-8T1794	10.000	+ .005 / -.000	10.000				8.880	+ .003 / -.003	0.690	+ .002 / -.002	113.74
RCAT-8C5142	10.030	+ .005 / -.000	10.030				8.880	+ .003 / -.003	0.690	+ .002 / -.002	0/R
RCAT-8C5145	10.060	+ .005 / -.000	10.060				8.880	+ .003 / -.003	0.690	+ .002 / -.002	0/R
RCAT-8T1795	10.250	+ .005 / -.000	10.250				9.130	+ .003 / -.003	0.690	+ .002 / -.002	134.32
RCAT-8C5148	10.280	+ .005 / -.000	10.280				9.130	+ .003 / -.003	0.690	+ .002 / -.002	0/R
RCAT-8C5151	10.310	+ .005 / -.000	10.310				9.130	+ .003 / -.003	0.690	+ .002 / -.002	0/R
RCAT-8T1796	10.500	+ .005 / -.000	10.500				9.380	+ .003 / -.003	0.690	+ .002 / -.002	116.32
RCAT-8C5154	10.530	+ .005 / -.000	10.530				9.380	+ .003 / -.003	0.690	+ .002 / -.002	0/R
RCAT-8C5157	10.560	+ .005 / -.000	10.560				9.380	+ .003 / -.003	0.690	+ .002 / -.002	0/R
RCAT-1080125	11.000	+ .006 / -.000	11.000				9.880	+ .003 / -.003	0.690	+ .002 / -.002	0/R
RCAT-1293706	11.030	+ .006 / -.000	11.030				9.880	+ .003 / -.003	0.690	+ .002 / -.002	0/R
RCAT-8T1797	11.500	+ .006 / -.000	11.500				10.380	+ .003 / -.003	0.690	+ .002 / -.002	146.63
RCAT-8C5160	11.530	+ .006 / -.000	11.530				10.380	+ .003 / -.003	0.690	+ .002 / -.002	0/R
RCAT-8C5163	11.560	+ .006 / -.000	11.560				10.380	+ .003 / -.003	0.690	+ .002 / -.002	0/R
RCAT-9X7326	12.000	+ .006 / -.000	12.000				10.880	+ .003 / -.003	0.690	+ .002 / -.002	0/R

All manufacturer's names, part numbers and descriptions are used for reference purposes only. We do not imply that any part shown is the product of these manufacturers.

Tel.: (403) 279-1871  
Fax: (403) 279-1821

**KITS 261**

[www.sealsonline.com](http://www.sealsonline.com)

## CAT PARTS - PISTON SEALS - INCH

## TYPE-3

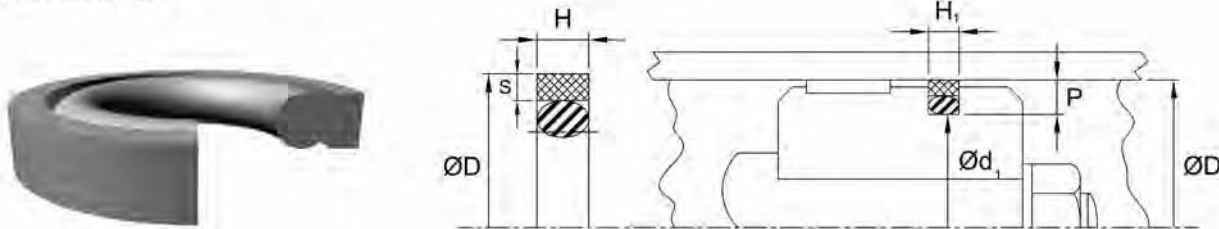
Ref. Number	Bore Diameter	Nominal Seal Dimensions				Housing Dimensions				\$	
	Tol.	D	d	S	H	d1	Tol.	H1	Tol.		
RCAT-6E0307	12.500	+0.006 / -0.000	12.500				11.380	+0.003 / -0.003	0.690	+0.002 / -0.002	O/R
RCAT-1293712	12.530	+0.006 / -0.000	12.530				11.380	+0.003 / -0.003	0.690	+0.002 / -0.002	O/R
RCAT-1086211	13.000	+0.006 / -0.000	13.000				11.880	+0.003 / -0.003	0.690	+0.002 / -0.002	O/R
RCAT-1293709	13.030	+0.006 / -0.000	13.030				11.880	+0.003 / -0.003	0.690	+0.002 / -0.002	O/R
RCAT-1214185	13.500	+0.006 / -0.000	13.500				12.400	+0.003 / -0.003	0.690	+0.002 / -0.002	O/R
RCAT-1301857	13.530	+0.006 / -0.000	13.530				12.400	+0.003 / -0.003	0.690	+0.002 / -0.002	O/R

## CAT PARTS - PISTON SEALS - METRIC

## TYPE-3

### CAT TYPE-3 - Piston Seals

Nylon/Nitrile



Temperature: -22/230F [ -30/110C ]

Pressure: 7250 PSI [ 500 BAR ]

Ref. Number	Bore Diameter	Nominal Seal Dimensions				Housing Dimensions				\$	
	Tol.	D	S	H	EXP.	d1	Tol.	H1	Tol.		
RCAT-9X7298	100.00	+0.10 / -0.00	100.00				85.75	+0.08 / -0.08	7.24	+0.05 / -0.05	98.26
RCAT-1333094	100.76	+0.10 / -0.00	100.76				85.75	+0.08 / -0.08	7.24	+0.05 / -0.05	O/R
RCAT-9X3586	105.00	+0.10 / -0.00	105.00				90.75	+0.08 / -0.08	7.24	+0.05 / -0.05	117.12
RCAT-9X7301	110.00	+0.10 / -0.00	110.00				95.75	+0.08 / -0.08	7.24	+0.05 / -0.05	98.85
RCAT-1333098	110.76	+0.10 / -0.00	110.76				95.75	+0.08 / -0.08	7.24	+0.05 / -0.05	O/R
RCAT-9X3589	115.00	+0.10 / -0.00	115.00				100.76	+0.08 / -0.08	7.24	+0.05 / -0.05	121.53
RCAT-9X3592	120.00	+0.10 / -0.00	120.00				105.74	+0.08 / -0.08	7.24	+0.05 / -0.05	99.22
RCAT-1082870	120.76	+0.10 / -0.00	120.76				105.74	+0.08 / -0.08	7.24	+0.05 / -0.05	O/R
RCAT-9X3595	130.00	+0.10 / -0.00	130.00				115.74	+0.08 / -0.08	7.24	+0.05 / -0.05	99.76
RCAT-1082869	130.76	+0.10 / -0.00	130.76				115.74	+0.08 / -0.08	7.24	+0.05 / -0.05	O/R
RCAT-1233135	140.00	+0.10 / -0.00	140.00				119.00	+0.08 / -0.08	8.20	+0.05 / -0.05	0.00
RCAT-9X3598	140.00	+0.10 / -0.00	140.00				120.62	+0.08 / -0.08	9.63	+0.05 / -0.05	100.46
RCAT-1333102	140.76	+0.10 / -0.00	140.76				120.62	+0.08 / -0.08	9.63	+0.05 / -0.05	O/R
RCAT-9X3601	150.00	+0.10 / -0.00	150.00				130.63	+0.08 / -0.08	9.63	+0.05 / -0.05	100.89
RCAT-1082871	150.76	+0.10 / -0.00	150.76				130.63	+0.08 / -0.08	9.63	+0.05 / -0.05	O/R
RCAT-9X3604	160.00	+0.10 / -0.00	160.00				140.61	+0.08 / -0.08	9.63	+0.05 / -0.05	101.80

All manufacturer's names, part numbers and descriptions are used for reference purposes only. We do not imply that any part shown is the product of these manufacturers.

INDUSTRIAL  
SEAL KITS

MOBILE  
SEAL KITS

CATERPILLAR

## TYPE-3

## CAT PARTS - PISTON SEALS - METRIC

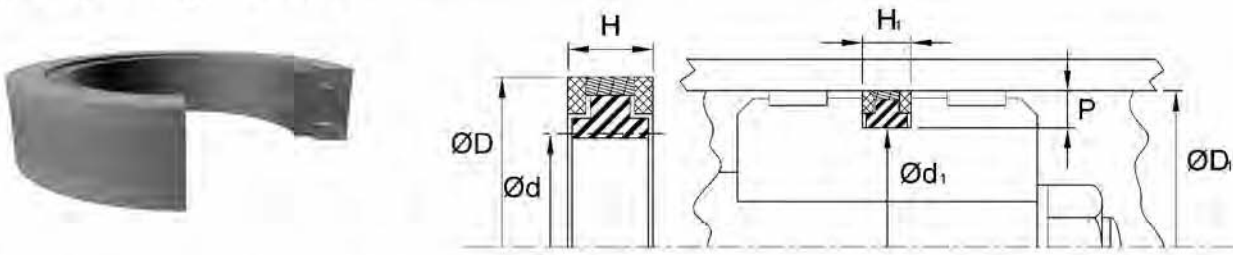
Ref. Number	Bore Diameter		Nominal Seal Dimensions				Housing Dimensions				\$
		Tol.	D	S	H	EXP.	d1	Tol.	H1	Tol.	
RCAT-1333106	160.76	+0.10 / -0.00	160.76				140.61	+0.08 / -0.08	9.63	+0.05 / -0.05	0/R
RCAT-9X3607	170.00	+0.10 / -0.00	170.00				150.62	+0.08 / -0.08	9.63	+0.05 / -0.05	102.61
RCAT-1333110	170.76	+0.10 / -0.00	170.76				150.62	+0.08 / -0.08	9.63	+0.05 / -0.05	0/R
RCAT-9X3610	180.00	+0.13 / -0.00	180.00				160.62	+0.08 / -0.08	9.63	+0.05 / -0.05	105.14
RCAT-1333114	180.76	+0.13 / -0.00	180.76				160.62	+0.08 / -0.08	9.63	+0.05 / -0.05	0/R
RCAT-1251286	190.00	+0.13 / -0.00	190.00				170.62	+0.08 / -0.08	9.63	+0.05 / -0.05	0/R
RCAT-8C9179	200.00	+0.13 / -0.00	200.00				174.73	+0.08 / -0.08	9.63	+0.05 / -0.05	188.99
RCAT-1333118	200.76	+0.13 / -0.00	200.76				174.73	+0.08 / -0.08	9.63	+0.05 / -0.05	0/R
RCAT-8C9182	220.00	+0.13 / -0.00	220.00				194.74	+0.08 / -0.08	9.63	+0.05 / -0.05	194.74

## TYPE-4

## CAT PARTS - PISTON SEALS - INCH

### CAT TYPE-4 - Piston Seals

GF/M.PTFE/Nylon/Nitrile



**Temperature: -20/220F [ -29/104C ]      Pressure: 6500 PSI [ 450 BAR ]**

Ref. Number	Bore Diameter		Nominal Seal Dimensions			Housing Dimensions				\$
		Tol.	D	d	H	d1	Tol.	H1	Tol.	
RCAT-8J3747	4.500	+0.004 / -0.000	4.500			3.830	+0.005 / -0.000	0.500	+0.010 / -0.000	74.93
RCAT-9J7868	5.000	+0.004 / -0.000	5.000			4.220	+0.005 / -0.000	0.640	+0.010 / -0.000	89.55
RCAT-8J8767	5.500	+0.004 / -0.000	5.500			4.720	+0.005 / -0.000	0.640	+0.010 / -0.000	101.59
RCAT-9J1242	6.000	+0.004 / -0.000	6.000			5.090	+0.005 / -0.000	0.640	+0.010 / -0.000	105.19
RCAT-9J5558	6.250	+0.004 / -0.000	6.250			5.340	+0.005 / -0.000	0.640	+0.010 / -0.000	108.79
RCAT-8J8703	6.500	+0.004 / -0.000	6.500			5.590	+0.005 / -0.000	0.640	+0.010 / -0.000	119.11
RCAT-8J3749	7.000	+0.005 / -0.000	7.000			6.090	+0.005 / -0.000	0.640	+0.010 / -0.000	123.79
RCAT-8J4510	7.250	+0.005 / -0.000	7.250			6.340	+0.005 / -0.000	0.640	+0.010 / -0.000	127.28
RCAT-9J5567	7.500	+0.005 / -0.000	7.500			6.590	+0.005 / -0.000	0.640	+0.010 / -0.000	130.34
RCAT-8J5644	7.750	+0.005 / -0.000	7.750			6.840	+0.005 / -0.000	0.640	+0.010 / -0.000	134.32
RCAT-8J4390	8.250	+0.005 / -0.000	8.250			7.250	+0.005 / -0.000	0.640	+0.010 / -0.000	145.56
RCAT-3G4762	8.500	+0.005 / -0.000	8.500			7.500	+0.005 / -0.000	0.640	+0.010 / -0.000	150.55
RCAT-9J3406	10.000	+0.005 / -0.000	10.000			8.880	+0.005 / -0.000	0.690	+0.010 / -0.000	175.87
RCAT-3G0889	10.250	+0.005 / -0.000	10.250			9.130	+0.005 / -0.000	0.690	+0.010 / -0.000	180.87
RCAT-3G4765	10.500	+0.005 / -0.000	10.500			9.380	+0.005 / -0.000	0.690	+0.010 / -0.000	193.39
RCAT-9J2987	11.500	+0.006 / -0.000	11.500			10.380	+0.005 / -0.000	0.690	+0.010 / -0.000	217.37

All manufacturer's names, part numbers and descriptions are used for reference purposes only. We do not imply that any part shown is the product of these manufacturers.

**Tel.: (604) 278-6808**  
**Fax: (604) 278-6180**

**KITS 263**

[www.sealsonline.com](http://www.sealsonline.com)

INDUSTRIAL SEAL KITS

MOBILE SEAL KITS



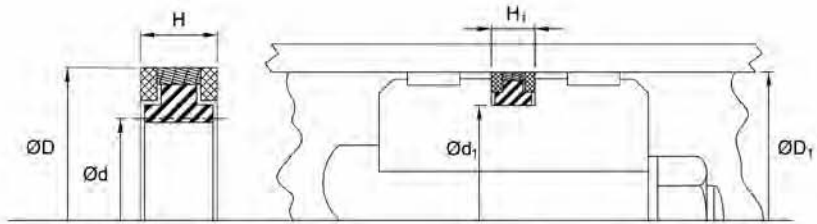
CATERPILLAR

## CAT PARTS - PISTON SEALS - METRIC

## TYPE-4

### CAT TYPE-4 - Piston Seals

BR. PTFE/Nylon/Nitrile



Temperature: -20/220F [ -29/104 ]

Pressure: 6500 PSI [ 450 BAR ]

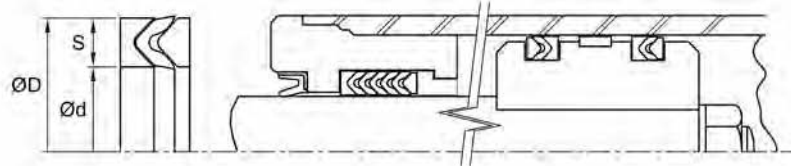
Ref. Number	Bore Diameter		Nominal Seal Dimensions			Housing Dimensions				\$		
	Tol.		D	d	H	d1	Tol.	D1	Tol.		H1	Tol.
RCAT-0996998	80.00	+0.10 / -0.00	80.00			80.00	+0.10 / -0.00	64.96	+0.08 / -0.08	11.10	+0.05 / -0.05	50.31
RCAT-0996973	90.00	+0.10 / -0.00	90.00			90.00	+0.10 / -0.00	74.96	+0.08 / -0.08	11.10	+0.05 / -0.05	56.44
RCAT-515928	100.00	+0.10 / -0.00	100.00			100.00	+0.10 / -0.00	84.96	+0.08 / -0.08	12.60	+0.05 / -0.05	62.30
RCAT-0996922	110.00	+0.10 / -0.00	110.00			110.00	+0.10 / -0.00	94.96	+0.08 / -0.08	12.60	+0.05 / -0.05	65.79

## CAT PARTS - VEE PACKINGS - INCH

## VEE SET

### CAT Vee Set

Neofab/Hytrel/Nylon



Temperature: -40/250F [ -40/121C ]

Pressure: N/A

Ref. Number	Rod Diameter		Nominal Seal Dimensions				Housing Dimensions				\$
	Tol.		d	D	H	Config	D1	Tol.	H1	Tol.	
RCAT-1K7110	1.250	+0.003 / -0.000	1.250	1.750			1.750	+0.012 / -0.012	0.750	+0.005 / -0.005	7.53
RCAT-5F6308	1.500	+0.003 / -0.000	1.500	2.125			2.130	+0.012 / -0.012	0.750	+0.005 / -0.005	11.56
RCAT-3D1123	1.500	+0.003 / -0.000	1.500	2.125			2.130	+0.012 / -0.012	1.060	+0.005 / -0.005	13.87
RCAT-2K0248	1.750	+0.003 / -0.000	1.750	2.375			2.380	+0.012 / -0.012	1.060	+0.005 / -0.005	13.92
RCAT-3F9609	2.000	+0.003 / -0.000	2.000	2.750			2.750	+0.012 / -0.012	0.980	+0.005 / -0.005	14.03
RCAT-1K7112	2.000	+0.003 / -0.000	2.000	2.625			2.630	+0.012 / -0.012	1.060	+0.005 / -0.005	14.08
RCAT-2K4434	2.250	+0.003 / -0.000	2.250	2.875			2.880	+0.012 / -0.012	1.060	+0.005 / -0.005	19.89
RCAT-1H4492	2.250	+0.003 / -0.000	2.250	3.000			3.000	+0.012 / -0.012	1.220	+0.005 / -0.005	20.16
RCAT-4F8420	2.500	+0.003 / -0.000	2.500	3.250			3.250	+0.012 / -0.012	1.000	+0.005 / -0.005	17.20
RCAT-1K7114	2.500	+0.003 / -0.000	2.500	3.125			3.130	+0.012 / -0.012	1.060	+0.005 / -0.005	17.31

All manufacturer's names, part numbers and descriptions are used for reference purposes only. We do not imply that any part shown is the product of these manufacturers.

INDUSTRIAL  
SEAL KITS

MOBILE  
SEAL KITS

CATERPILLAR



## VEE SET

## CAT PARTS - VEE PACKINGS - INCH

Ref. Number	Rod Diameter		Nominal Seal Dimensions				Housing Dimensions				\$
	Tol.		d	D	H	Config	D1	Tol.	H1	Tol.	
RCAT-4J5830	2.500	+ .003 / - .000	2.500	3.250			3.250	+ .012 / - .012	1.200	+ .005 / - .005	20.64
RCAT-5F3498	2.750	+ .003 / - .000	2.750	3.500			3.500	+ .012 / - .012	0.980	+ .005 / - .005	21.45
RCAT-2J1408	3.000	+ .004 / - .000	3.000	3.750			3.750	+ .012 / - .012	0.980	+ .005 / - .005	22.95
RCAT-2K1516	3.000	+ .004 / - .000	3.000	4.000			4.000	+ .012 / - .012	1.500	+ .005 / - .005	32.73
RCAT-4J6897	3.250	+ .004 / - .000	3.250	4.000			4.000	+ .012 / - .012	1.200	+ .005 / - .005	32.79
RCAT-8M3912	3.500	+ .004 / - .000	3.500	4.000			4.000	+ .012 / - .012	0.830	+ .005 / - .005	14.51
RCAT-1J2148	3.500	+ .004 / - .000	3.500	4.250			4.250	+ .012 / - .012	1.190	+ .005 / - .005	26.45
RCAT-2K4010	3.500	+ .004 / - .000	3.500	4.500			4.500	+ .012 / - .012	1.500	+ .005 / - .005	47.57
RCAT-1K7104	3.525	+ .004 / - .000	3.525	4.525			4.520	+ .012 / - .012	1.500	+ .005 / - .005	0/R
RCAT-3K8340	4.000	+ .004 / - .000	4.000	4.500			4.500	+ .012 / - .012	0.840	+ .005 / - .005	19.62
RCAT-2J6382	4.000	+ .004 / - .000	4.000	4.500			4.500	+ .012 / - .012	1.500	+ .005 / - .005	19.62
RCAT-2K0050	4.000	+ .004 / - .000	4.000	5.000			5.000	+ .012 / - .012	1.500	+ .005 / - .005	56.60
RCAT-3J9740	4.500	+ .004 / - .000	4.500	5.000			5.000	+ .012 / - .012	0.830	+ .005 / - .005	17.09
RCAT-2K1335	4.500	+ .004 / - .000	4.500	5.500			5.500	+ .012 / - .012	1.500	+ .005 / - .005	53.97
RCAT-3J7759	5.000	+ .004 / - .000	5.000	5.500			5.500	+ .012 / - .012	0.830	+ .005 / - .005	19.62
RCAT-3K8330	5.000	+ .004 / - .000	5.000	5.500			5.500	+ .012 / - .012	0.840	+ .005 / - .005	19.62
RCAT-2J3723	5.500	+ .004 / - .000	5.500	6.000			5.990	+ .012 / - .012	1.640	+ .005 / - .005	0/R
RCAT-2K0029	5.525	+ .004 / - .000	5.525	6.525			6.520	+ .012 / - .012	1.500	+ .005 / - .005	0/R
RCAT-3K8350	6.000	+ .004 / - .000	6.000	6.500			6.500	+ .012 / - .012	0.830	+ .005 / - .005	23.87
RCAT-2J9325	6.000	+ .004 / - .000	6.000	6.500			6.500	+ .012 / - .012	1.640	+ .005 / - .005	0/R
RCAT-2K1888	6.250	+ .004 / - .000	6.250	7.250			7.250	+ .012 / - .012	1.500	+ .005 / - .005	131.10
RCAT-8M3910	6.500	+ .004 / - .000	6.500	7.000			7.000	+ .012 / - .012	0.830	+ .005 / - .005	27.57
RCAT-2J6401	6.500	+ .004 / - .000	6.500	7.250			7.250	+ .012 / - .012	2.390	+ .005 / - .005	0/R
RCAT-3J9741	6.750	+ .005 / - .000	6.750	7.250			7.250	+ .012 / - .012	0.830	+ .005 / - .005	53.86
RCAT-4J1195	7.000	+ .005 / - .000	7.000	7.750			7.750	+ .012 / - .012	1.110	+ .005 / - .005	86.22
RCAT-3J7768	7.250	+ .005 / - .000	7.250	7.750			7.750	+ .012 / - .012	0.830	+ .005 / - .005	57.89
RCAT-4J1150	7.250	+ .005 / - .000	7.250	8.000			8.000	+ .012 / - .012	1.110	+ .005 / - .005	115.99
RCAT-6V0638	7.875	+ .005 / - .000	7.875	8.875			8.870	+ .012 / - .012	1.290	+ .005 / - .005	120.19
RCAT-5P9488	10.500	+ .005 / - .000	10.500	11.500			11.500	+ .012 / - .012	1.290	+ .005 / - .005	202.85

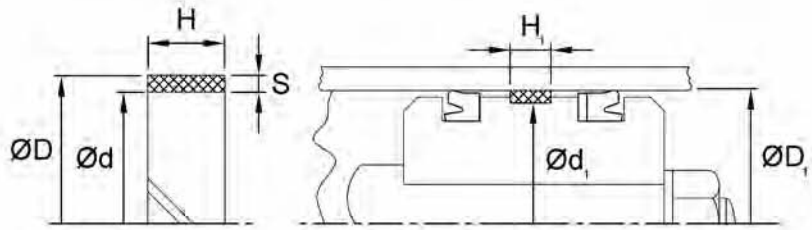
All manufacturer's names, part numbers and descriptions are used for reference purposes only. We do not imply that any part shown is the product of these manufacturers.

## CAT PARTS - GUIDING ELEMENTS - INCH

## PISTON APPLICATION

### WR - Guiding Elements

Nylon



### PISTON APPLICATION

Temperature: -40/250F [ -40/121C ]

Pressure: N/A

Ref. Number	Bore Diameter	Nominal Seal Dimensions			Housing Dimensions					\$	
	Tol.	D	d	H	D1	Tol.	d1	Tol.	H1		Tol.
RCAT-5W5108	0.600	+0.003 / -0.000	0.600		0.600	+0.003 / -0.000	0.710	+0.001 / -0.001	0.040	+0.003 / -0.003	0/R
RCAT-8U5770	0.700	+0.003 / -0.000	0.700		0.700	+0.003 / -0.000	0.850	+0.001 / -0.001	0.080	+0.003 / -0.003	0/R
RCAT-1038329	1.180	+0.003 / -0.000	1.180		1.180	+0.003 / -0.000	1.500	+0.001 / -0.001	0.350	+0.003 / -0.003	22.20
RCAT-5J9073	1.500	+0.003 / -0.000	1.500		1.500	+0.003 / -0.000	1.241	+0.001 / -0.001	0.500	+0.003 / -0.003	14.51
RCAT-5J7942	2.000	+0.003 / -0.000	2.000		2.000	+0.003 / -0.000	1.741	+0.001 / -0.001	0.496	+0.003 / -0.003	0/R
RCAT-7H2423	2.250	+0.003 / -0.000	2.250		2.250	+0.003 / -0.000	1.991	+0.001 / -0.001	0.886	+0.003 / -0.003	8.55
RCAT-8C4802	2.280	+0.003 / -0.000	2.280		2.280	+0.003 / -0.000	1.991	+0.001 / -0.001	0.886	+0.003 / -0.003	0/R
RCAT-8C4803	2.310	+0.003 / -0.000	2.310		2.310	+0.003 / -0.000	1.991	+0.001 / -0.001	0.886	+0.003 / -0.003	0/R
RCAT-8J6212	2.500	+0.003 / -0.000	2.500		2.500	+0.003 / -0.000	2.241	+0.001 / -0.001	0.750	+0.003 / -0.003	8.39
RCAT-8C4804	2.530	+0.003 / -0.000	2.530		2.530	+0.003 / -0.000	2.241	+0.001 / -0.001	0.750	+0.003 / -0.003	0/R
RCAT-1076579	2.560	+0.003 / -0.000	2.560		2.560	+0.003 / -0.000	2.950	+0.001 / -0.001	0.430	+0.003 / -0.003	28.92
RCAT-8C4805	2.560	+0.003 / -0.000	2.560		2.560	+0.003 / -0.000	2.241	+0.001 / -0.001	0.750	+0.003 / -0.003	0/R
RCAT-1182716	2.680	+0.003 / -0.000	2.680		2.680	+0.003 / -0.000	3.630	+0.001 / -0.001	0.210	+0.003 / -0.003	41.87
RCAT-8J0112	2.750	+0.003 / -0.000	2.750		2.750	+0.003 / -0.000	2.491	+0.001 / -0.001	0.938	+0.003 / -0.003	12.36
RCAT-8C4806	2.780	+0.003 / -0.000	2.780		2.780	+0.003 / -0.000	2.491	+0.001 / -0.001	0.938	+0.003 / -0.003	0/R
RCAT-8C4807	2.810	+0.003 / -0.000	2.810		2.810	+0.003 / -0.000	2.491	+0.001 / -0.001	0.938	+0.003 / -0.003	0/R
RCAT-6J5733	3.000	+0.004 / -0.000	3.000		3.000	+0.004 / -0.000	2.741	+0.001 / -0.001	0.996	+0.003 / -0.003	13.06
RCAT-8T6443	3.000	+0.004 / -0.000	3.000		3.000	+0.004 / -0.000	2.798	+0.001 / -0.001	1.000	+0.003 / -0.003	13.60
RCAT-8C4947	3.030	+0.004 / -0.000	3.030		3.030	+0.004 / -0.000	2.798	+0.001 / -0.001	1.000	+0.003 / -0.003	0/R
RCAT-8T8361	3.030	+0.004 / -0.000	3.030		3.030	+0.004 / -0.000	2.741	+0.001 / -0.001	1.000	+0.003 / -0.003	0/R
RCAT-8C4948	3.060	+0.004 / -0.000	3.060		3.060	+0.004 / -0.000	2.798	+0.001 / -0.001	1.000	+0.003 / -0.003	0/R
RCAT-8T8362	3.060	+0.004 / -0.000	3.060		3.060	+0.004 / -0.000	2.741	+0.001 / -0.001	1.000	+0.003 / -0.003	0/R
RCAT-7U7647	3.250	+0.004 / -0.000	3.250		3.250	+0.004 / -0.000	3.500	+0.001 / -0.001	0.750	+0.003 / -0.003	0/R
RCAT-8J2577	3.250	+0.004 / -0.000	3.250		3.250	+0.004 / -0.000	2.991	+0.001 / -0.001	0.750	+0.003 / -0.003	11.77
RCAT-8J6371	3.250	+0.004 / -0.000	3.250		3.250	+0.004 / -0.000	2.991	+0.001 / -0.001	1.130	+0.003 / -0.003	17.31
RCAT-8T6683	3.250	+0.004 / -0.000	3.250		3.250	+0.004 / -0.000	3.048	+0.001 / -0.001	1.130	+0.003 / -0.003	51.60
RCAT-8C4808	3.280	+0.004 / -0.000	3.280		3.280	+0.004 / -0.000	2.991	+0.001 / -0.001	1.130	+0.003 / -0.003	0/R
RCAT-8C4809	3.310	+0.004 / -0.000	3.310		3.310	+0.004 / -0.000	2.991	+0.001 / -0.001	1.130	+0.003 / -0.003	0/R
RCAT-4J3236	3.500	+0.004 / -0.000	3.500		3.500	+0.004 / -0.000	3.241	+0.001 / -0.001	1.496	+0.003 / -0.003	19.67
RCAT-7J9885	3.500	+0.004 / -0.000	3.500		3.500	+0.004 / -0.000	3.241	+0.001 / -0.001	1.125	+0.003 / -0.003	13.44
RCAT-8T8317	3.530	+0.004 / -0.000	3.530		3.530	+0.004 / -0.000	3.241	+0.001 / -0.001	1.125	+0.003 / -0.003	0/R
RCAT-8T8331	3.530	+0.004 / -0.000	3.530		3.530	+0.004 / -0.000	3.241	+0.001 / -0.001	1.496	+0.003 / -0.003	0/R
RCAT-8T8318	3.560	+0.004 / -0.000	3.560		3.560	+0.004 / -0.000	3.241	+0.001 / -0.001	1.125	+0.003 / -0.003	0/R
RCAT-8T8332	3.560	+0.004 / -0.000	3.560		3.560	+0.004 / -0.000	3.241	+0.001 / -0.001	1.496	+0.003 / -0.003	0/R
RCAT-5J8019	3.750	+0.004 / -0.000	3.750		3.750	+0.004 / -0.000	3.491	+0.001 / -0.001	1.246	+0.003 / -0.003	14.84

All manufacturer's names, part numbers and descriptions are used for reference purposes only. We do not imply that any part shown is the product of these manufacturers.

INDUSTRIAL  
SEAL KITS

MOBILE  
SEAL KITS



CATERPILLAR

**PISTON APPLICATION**

**CAT PARTS - GUIDING ELEMENTS - INCH**

**INDUSTRIAL  
SEAL KITS**

**MOBILE  
SEAL KITS**



**CATERPILLAR**

Ref. Number	Bore Diameter	Nominal Seal Dimensions			Housing Dimensions				\$			
	Tol.	D	d	H	D1	Tol.	d1	Tol.		H1	Tol.	
RCAT-8J6245	3.750	+0.004 / -0.000	3.750			3.750	+0.004 / -0.000	3.491	+0.001 / -0.001	1.000	+0.003 / -0.003	20.96
RCAT-8C0547	3.780	+0.004 / -0.000	3.780			3.780	+0.004 / -0.000	3.491	+0.001 / -0.001	1.246	+0.003 / -0.003	O/R
RCAT-8T8337	3.780	+0.004 / -0.000	3.780			3.780	+0.004 / -0.000	3.491	+0.001 / -0.001	1.000	+0.003 / -0.003	O/R
RCAT-8C0548	3.810	+0.004 / -0.000	3.810			3.810	+0.004 / -0.000	3.491	+0.001 / -0.001	1.246	+0.003 / -0.003	O/R
RCAT-8T8338	3.810	+0.004 / -0.000	3.810			3.810	+0.004 / -0.000	3.491	+0.001 / -0.001	1.000	+0.003 / -0.003	O/R
RCAT-1259696	3.980	+0.004 / -0.000	3.980			3.980	+0.004 / -0.000	4.350	+0.001 / -0.001	0.300	+0.003 / -0.003	71.17
RCAT-1M1571	4.000	+0.004 / -0.000	4.000			4.000	+0.004 / -0.000	3.741	+0.001 / -0.001	1.246	+0.003 / -0.003	14.89
RCAT-3D4522	4.000	+0.004 / -0.000	4.000			4.000	+0.004 / -0.000	3.740	+0.001 / -0.001	0.714	+0.003 / -0.003	11.61
RCAT-5J7154	4.000	+0.004 / -0.000	4.000			4.000	+0.004 / -0.000	3.741	+0.001 / -0.001	0.621	+0.003 / -0.003	10.91
RCAT-6J2797	4.000	+0.004 / -0.000	4.000			4.000	+0.004 / -0.000	3.741	+0.001 / -0.001	0.996	+0.003 / -0.003	13.33
RCAT-4F3515	4.010	+0.004 / -0.000	4.010			4.010	+0.004 / -0.000	5.000	+0.001 / -0.001	0.250	+0.003 / -0.003	O/R
RCAT-8C0539	4.030	+0.004 / -0.000	4.030			4.030	+0.004 / -0.000	3.741	+0.001 / -0.001	0.621	+0.003 / -0.003	O/R
RCAT-8T8311	4.030	+0.004 / -0.000	4.030			4.030	+0.004 / -0.000	3.741	+0.001 / -0.001	0.996	+0.003 / -0.003	O/R
RCAT-8T8335	4.030	+0.004 / -0.000	4.030			4.030	+0.004 / -0.000	3.741	+0.001 / -0.001	1.246	+0.003 / -0.003	O/R
RCAT-8T8312	4.060	+0.004 / -0.000	4.060			4.060	+0.004 / -0.000	3.741	+0.001 / -0.001	0.996	+0.003 / -0.003	O/R
RCAT-8T8336	4.060	+0.004 / -0.000	4.060			4.060	+0.004 / -0.000	3.741	+0.001 / -0.001	1.246	+0.003 / -0.003	O/R
RCAT-1259699	4.130	+0.004 / -0.000	4.130			4.130	+0.004 / -0.000	4.330	+0.001 / -0.001	0.580	+0.003 / -0.003	46.87
RCAT-5J8157	4.250	+0.004 / -0.000	4.250			4.250	+0.004 / -0.000	3.991	+0.001 / -0.001	1.496	+0.003 / -0.003	18.38
RCAT-6J4003	4.250	+0.004 / -0.000	4.250			4.250	+0.004 / -0.000	3.991	+0.001 / -0.001	1.250	+0.003 / -0.003	20.96
RCAT-6J7264	4.250	+0.004 / -0.000	4.250			4.250	+0.004 / -0.000	3.991	+0.001 / -0.001	0.997	+0.003 / -0.003	13.71
RCAT-8C0541	4.280	+0.004 / -0.000	4.280			4.280	+0.004 / -0.000	3.991	+0.001 / -0.001	0.997	+0.003 / -0.003	O/R
RCAT-8T8325	4.280	+0.004 / -0.000	4.280			4.280	+0.004 / -0.000	3.991	+0.001 / -0.001	1.250	+0.003 / -0.003	O/R
RCAT-8T8329	4.280	+0.004 / -0.000	4.280			4.280	+0.004 / -0.000	3.991	+0.001 / -0.001	1.496	+0.003 / -0.003	O/R
RCAT-8C0542	4.310	+0.004 / -0.000	4.310			4.310	+0.004 / -0.000	3.991	+0.001 / -0.001	0.997	+0.003 / -0.003	O/R
RCAT-8T8326	4.310	+0.004 / -0.000	4.310			4.310	+0.004 / -0.000	3.991	+0.001 / -0.001	1.250	+0.003 / -0.003	O/R
RCAT-8T8330	4.310	+0.004 / -0.000	4.310			4.310	+0.004 / -0.000	3.991	+0.001 / -0.001	1.496	+0.003 / -0.003	O/R
RCAT-1182721	4.370	+0.004 / -0.000	4.370			4.370	+0.004 / -0.000	4.750	+0.001 / -0.001	0.300	+0.003 / -0.003	25.48
RCAT-2D0829	4.500	+0.004 / -0.000	4.500			4.500	+0.004 / -0.000	4.241	+0.001 / -0.001	0.929	+0.003 / -0.003	O/R
RCAT-4J2620	4.500	+0.004 / -0.000	4.500			4.500	+0.004 / -0.000	4.241	+0.001 / -0.001	1.496	+0.003 / -0.003	21.23
RCAT-4J3745	4.500	+0.004 / -0.000	4.500			4.500	+0.004 / -0.000	4.241	+0.001 / -0.001	0.997	+0.003 / -0.003	14.67
RCAT-4J4605	4.500	+0.004 / -0.000	4.500			4.500	+0.004 / -0.000	4.241	+0.001 / -0.001	0.997	+0.003 / -0.003	15.32
RCAT-4T8758	4.500	+0.004 / -0.000	4.500			4.500	+0.004 / -0.000	4.241	+0.001 / -0.001	1.871	+0.003 / -0.003	47.73
RCAT-6J4175	4.500	+0.004 / -0.000	4.500			4.500	+0.004 / -0.000	4.241	+0.001 / -0.001	1.871	+0.003 / -0.003	33.06
RCAT-1182724	4.530	+0.004 / -0.000	4.530			4.530	+0.004 / -0.000	4.720	+0.001 / -0.001	0.580	+0.003 / -0.003	26.02
RCAT-8C4810	4.530	+0.004 / -0.000	4.530			4.530	+0.004 / -0.000	4.241	+0.001 / -0.001	1.871	+0.003 / -0.003	O/R
RCAT-8T8327	4.530	+0.004 / -0.000	4.530			4.530	+0.004 / -0.000	4.241	+0.001 / -0.001	0.997	+0.003 / -0.003	O/R
RCAT-8T8355	4.530	+0.004 / -0.000	4.530			4.530	+0.004 / -0.000	4.241	+0.001 / -0.001	1.496	+0.003 / -0.003	O/R
RCAT-8T8328	4.560	+0.004 / -0.000	4.560			4.560	+0.004 / -0.000	4.241	+0.001 / -0.001	0.997	+0.003 / -0.003	O/R
RCAT-8T8356	4.560	+0.004 / -0.000	4.560			4.560	+0.004 / -0.000	4.241	+0.001 / -0.001	1.496	+0.003 / -0.003	O/R
RCAT-4J3342	4.750	+0.004 / -0.000	4.750			4.750	+0.004 / -0.000	4.491	+0.001 / -0.001	1.250	+0.003 / -0.003	19.46
RCAT-4T9248	4.750	+0.004 / -0.000	4.750			4.750	+0.004 / -0.000	4.491	+0.001 / -0.001	1.250	+0.003 / -0.003	24.83
RCAT-7J8879	4.750	+0.004 / -0.000	4.750			4.750	+0.004 / -0.000	3.986	+0.001 / -0.001	0.393	+0.003 / -0.003	O/R
RCAT-8T8390	4.750	+0.004 / -0.000	4.750			4.750	+0.004 / -0.000	4.491	+0.001 / -0.001	1.000	+0.003 / -0.003	52.08
RCAT-1357936	4.770	+0.004 / -0.000	4.770			4.770	+0.004 / -0.000	5.150	+0.001 / -0.001	0.300	+0.003 / -0.003	33.59
RCAT-8T8345	4.780	+0.004 / -0.000	4.780			4.780	+0.004 / -0.000	4.491	+0.001 / -0.001	1.250	+0.003 / -0.003	O/R
RCAT-8T8346	4.810	+0.004 / -0.000	4.810			4.810	+0.004 / -0.000	4.491	+0.001 / -0.001	1.250	+0.003 / -0.003	O/R
RCAT-1357939	4.920	+0.004 / -0.000	4.920			4.920	+0.004 / -0.000	5.120	+0.001 / -0.001	0.580	+0.003 / -0.003	33.59

All manufacturer's names, part numbers and descriptions are used for reference purposes only. We do not imply that any part shown is the product of these manufacturers.

**Tel.: (514) 334-2220**  
**Fax: (514) 333-8329**

**KITS 267**

[www.sealsonline.com](http://www.sealsonline.com)



## CAT PARTS - GUIDING ELEMENTS - INCH

## PISTON APPLICATION

Ref. Number	Bore Diameter		Nominal Seal Dimensions			Housing Dimensions				\$		
	Tol.		D	d	H	D1	Tol.	d1	Tol.		H1	Tol.
RCAT-4J3420	5.000	+ .004 / - .000	5.000			5.000	+ .004 / - .000	4.741	+ .001 / - .001	1.562	+ .003 / - .003	19.35
RCAT-4J4630	5.000	+ .004 / - .000	5.000			5.000	+ .004 / - .000	4.741	+ .001 / - .001	1.125	+ .003 / - .003	17.15
RCAT-7J1627	5.000	+ .004 / - .000	5.000			5.000	+ .004 / - .000	4.741	+ .001 / - .001	0.858	+ .003 / - .003	3.23
RCAT-8M4226	5.000	+ .004 / - .000	5.000			5.000	+ .004 / - .000	4.741	+ .001 / - .001	1.246	+ .003 / - .003	27.79
RCAT-8C4813	5.030	+ .004 / - .000	5.030			5.030	+ .004 / - .000	4.741	+ .001 / - .001	1.125	+ .003 / - .003	0/R
RCAT-8T8339	5.030	+ .004 / - .000	5.030			5.030	+ .004 / - .000	4.741	+ .001 / - .001	1.562	+ .003 / - .003	0/R
RCAT-8C4812	5.060	+ .004 / - .000	5.060			5.060	+ .004 / - .000	4.741	+ .001 / - .001	1.125	+ .003 / - .003	0/R
RCAT-8T8340	5.060	+ .004 / - .000	5.060			5.060	+ .004 / - .000	4.741	+ .001 / - .001	1.562	+ .003 / - .003	0/R
RCAT-2D0714	5.250	+ .004 / - .000	5.250			5.250	+ .004 / - .000	4.991	+ .001 / - .001	1.027	+ .003 / - .003	35.53
RCAT-4J3887	5.250	+ .004 / - .000	5.250			5.250	+ .004 / - .000	4.991	+ .001 / - .001	1.323	+ .003 / - .003	40.15
RCAT-7J8878	5.250	+ .004 / - .000	5.250			5.250	+ .004 / - .000	4.498	+ .001 / - .001	3.925	+ .003 / - .003	0/R
RCAT-9J7978	5.250	+ .004 / - .000	5.250			5.250	+ .004 / - .000	4.991	+ .001 / - .001	1.500	+ .003 / - .003	35.91
RCAT-8T8359	5.280	+ .004 / - .000	5.280			5.280	+ .004 / - .000	4.991	+ .001 / - .001	1.500	+ .003 / - .003	0/R
RCAT-8T8360	5.310	+ .004 / - .000	5.310			5.310	+ .004 / - .000	4.991	+ .001 / - .001	1.500	+ .003 / - .003	0/R
RCAT-3J9026	5.500	+ .004 / - .000	5.500			5.500	+ .004 / - .000	5.241	+ .001 / - .001	1.371	+ .003 / - .003	26.02
RCAT-4J3518	5.500	+ .004 / - .000	5.500			5.500	+ .004 / - .000	5.241	+ .001 / - .001	1.996	+ .003 / - .003	47.78
RCAT-4J4606	5.500	+ .004 / - .000	5.500			5.500	+ .004 / - .000	5.241	+ .001 / - .001	1.246	+ .003 / - .003	19.30
RCAT-5U4278	5.500	+ .004 / - .000	5.500			5.500	+ .004 / - .000	5.250	+ .001 / - .001	0.750	+ .003 / - .003	82.99
RCAT-7J1731	5.500	+ .004 / - .000	5.500			5.500	+ .004 / - .000	5.241	+ .001 / - .001	1.750	+ .003 / - .003	26.07
RCAT-7J3303	5.500	+ .004 / - .000	5.500			5.500	+ .004 / - .000	5.241	+ .001 / - .001	1.625	+ .003 / - .003	38.32
RCAT-8C9112	5.500	+ .004 / - .000	5.500			5.500	+ .004 / - .000	5.241	+ .001 / - .001	1.996	+ .003 / - .003	34.94
RCAT-8J1690	5.500	+ .004 / - .000	5.500			5.500	+ .004 / - .000	5.241	+ .001 / - .001	2.250	+ .003 / - .003	36.28
RCAT-9J7191	5.500	+ .004 / - .000	5.500			5.500	+ .004 / - .000	5.117	+ .001 / - .001	1.750	+ .003 / - .003	41.50
RCAT-1183955	5.510	+ .004 / - .000	5.510			5.510	+ .004 / - .000	5.230	+ .001 / - .001	1.780	+ .003 / - .003	0/R
RCAT-8C4815	5.530	+ .004 / - .000	5.530			5.530	+ .004 / - .000	5.241	+ .001 / - .001	1.750	+ .003 / - .003	0/R
RCAT-8C4817	5.530	+ .004 / - .000	5.530			5.530	+ .004 / - .000	5.240	+ .001 / - .001	1.370	+ .003 / - .003	0/R
RCAT-8C4818	5.530	+ .004 / - .000	5.530			5.530	+ .004 / - .000	5.117	+ .001 / - .001	1.750	+ .003 / - .003	0/R
RCAT-8C4820	5.530	+ .004 / - .000	5.530			5.530	+ .004 / - .000	5.241	+ .001 / - .001	1.996	+ .003 / - .003	0/R
RCAT-8C4822	5.530	+ .004 / - .000	5.530			5.530	+ .004 / - .000	5.241	+ .001 / - .001	2.250	+ .003 / - .003	0/R
RCAT-8T8315	5.530	+ .004 / - .000	5.530			5.530	+ .004 / - .000	5.241	+ .001 / - .001	1.246	+ .003 / - .003	0/R
RCAT-8C4814	5.560	+ .004 / - .000	5.560			5.560	+ .004 / - .000	5.241	+ .001 / - .001	1.750	+ .003 / - .003	0/R
RCAT-8C4816	5.560	+ .004 / - .000	5.560			5.560	+ .004 / - .000	5.241	+ .001 / - .001	1.371	+ .003 / - .003	0/R
RCAT-8C4821	5.560	+ .004 / - .000	5.560			5.560	+ .004 / - .000	5.241	+ .001 / - .001	1.996	+ .003 / - .003	0/R
RCAT-8T8316	5.560	+ .004 / - .000	5.560			5.560	+ .004 / - .000	5.241	+ .001 / - .001	1.246	+ .003 / - .003	0/R
RCAT-0990674	5.670	+ .004 / - .000	5.670			5.670	+ .004 / - .000	5.970	+ .001 / - .001	0.150	+ .003 / - .003	0/R
RCAT-0990695	5.670	+ .004 / - .000	5.670			5.670	+ .004 / - .000	5.970	+ .001 / - .001	0.150	+ .003 / - .003	0/R
RCAT-6J3074	5.750	+ .004 / - .000	5.750			5.750	+ .004 / - .000	5.491	+ .001 / - .001	1.996	+ .003 / - .003	41.33
RCAT-9J4164	5.750	+ .004 / - .000	5.750			5.750	+ .004 / - .000	5.491	+ .001 / - .001	1.625	+ .003 / - .003	52.62
RCAT-1J0708	6.000	+ .004 / - .000	6.000			6.000	+ .004 / - .000	5.741	+ .001 / - .001	1.323	+ .003 / - .003	25.53
RCAT-3G6537	6.000	+ .004 / - .000	6.000			6.000	+ .004 / - .000	5.741	+ .001 / - .001	1.073	+ .003 / - .003	25.26
RCAT-4J7503	6.000	+ .004 / - .000	6.000			6.000	+ .004 / - .000	5.617	+ .001 / - .001	0.996	+ .003 / - .003	0/R
RCAT-4T6930	6.000	+ .004 / - .000	6.000			6.000	+ .004 / - .000	5.617	+ .001 / - .001	2.750	+ .003 / - .003	81.75
RCAT-5J0014	6.000	+ .004 / - .000	6.000			6.000	+ .004 / - .000	5.741	+ .001 / - .001	1.246	+ .003 / - .003	25.93
RCAT-7J5326	6.000	+ .004 / - .000	6.000			6.000	+ .004 / - .000	5.741	+ .001 / - .001	1.750	+ .003 / - .003	32.41
RCAT-7J8877	6.000	+ .004 / - .000	6.000			6.000	+ .004 / - .000	5.248	+ .001 / - .001	0.393	+ .003 / - .003	0/R
RCAT-9J5860	6.000	+ .004 / - .000	6.000			6.000	+ .004 / - .000	5.741	+ .001 / - .001	1.500	+ .003 / - .003	33.54
RCAT-8C0543	6.030	+ .004 / - .000	6.030			6.030	+ .004 / - .000	5.741	+ .001 / - .001	1.246	+ .003 / - .003	0/R

All manufacturer's names, part numbers and descriptions are used for reference purposes only. We do not imply that any part shown is the product of these manufacturers.

**INDUSTRIAL  
SEAL KITS**

**MOBILE  
SEAL KITS**



**CATERPILLAR**

## PISTON APPLICATION

## CAT PARTS - GUIDING ELEMENTS - INCH

Ref. Number	Bore Diameter		Nominal Seal Dimensions			Housing Dimensions						\$
	Tol.		D	d	H	D1	Tol.	d1	Tol.	H1	Tol.	
RCAT-8C4824	6.030	+ .004 / -.000	6.030			6.030	+ .004 / -.000	5.741	+ .001 / -.001	1.073	+ .003 / -.003	0/R
RCAT-8C4826	6.030	+ .004 / -.000	6.030			6.030	+ .004 / -.000	5.617	+ .001 / -.001	2.750	+ .003 / -.003	0/R
RCAT-8T8343	6.030	+ .004 / -.000	6.030			6.030	+ .004 / -.000	5.741	+ .001 / -.001	1.323	+ .003 / -.003	0/R
RCAT-8T8347	6.030	+ .004 / -.000	6.030			6.030	+ .004 / -.000	5.741	+ .001 / -.001	1.500	+ .003 / -.003	0/R
RCAT-8T8349	6.030	+ .004 / -.000	6.030			6.030	+ .004 / -.000	5.741	+ .001 / -.001	1.750	+ .003 / -.003	0/R
RCAT-8C0544	6.060	+ .004 / -.000	6.060			6.060	+ .004 / -.000	5.741	+ .001 / -.001	1.246	+ .003 / -.003	0/R
RCAT-8C4825	6.060	+ .004 / -.000	6.060			6.060	+ .004 / -.000	5.741	+ .001 / -.001	1.073	+ .003 / -.003	0/R
RCAT-8C4827	6.060	+ .004 / -.000	6.060			6.060	+ .004 / -.000	5.617	+ .001 / -.001	2.750	+ .003 / -.003	0/R
RCAT-8T8344	6.060	+ .004 / -.000	6.060			6.060	+ .004 / -.000	5.741	+ .001 / -.001	1.323	+ .003 / -.003	0/R
RCAT-8T8348	6.060	+ .004 / -.000	6.060			6.060	+ .004 / -.000	5.741	+ .001 / -.001	1.500	+ .003 / -.003	0/R
RCAT-8T8350	6.060	+ .004 / -.000	6.060			6.060	+ .004 / -.000	5.741	+ .001 / -.001	1.750	+ .003 / -.003	0/R
RCAT-5J3326	6.250	+ .004 / -.000	6.250			6.250	+ .004 / -.000	5.991	+ .001 / -.001	1.496	+ .003 / -.003	28.49
RCAT-7J9232	6.250	+ .004 / -.000	6.250			6.250	+ .004 / -.000	6.241	+ .001 / -.001	2.875	+ .003 / -.003	75.39
RCAT-9J5550	6.250	+ .004 / -.000	6.250			6.250	+ .004 / -.000	5.991	+ .001 / -.001	1.750	+ .003 / -.003	34.94
RCAT-8C4828	6.280	+ .004 / -.000	6.280			6.280	+ .004 / -.000	5.991	+ .001 / -.001	1.750	+ .003 / -.003	0/R
RCAT-8T8357	6.280	+ .004 / -.000	6.280			6.280	+ .004 / -.000	5.991	+ .001 / -.001	1.496	+ .003 / -.003	0/R
RCAT-8C4829	6.310	+ .004 / -.000	6.310			6.310	+ .004 / -.000	5.991	+ .001 / -.001	1.750	+ .003 / -.003	0/R
RCAT-8T8358	6.310	+ .004 / -.000	6.310			6.310	+ .004 / -.000	5.991	+ .001 / -.001	1.496	+ .003 / -.003	0/R
RCAT-3J9027	6.500	+ .004 / -.000	6.500			6.500	+ .004 / -.000	6.241	+ .001 / -.001	1.371	+ .003 / -.003	24.56
RCAT-3J9703	6.500	+ .004 / -.000	6.500			6.500	+ .004 / -.000	6.241	+ .001 / -.001	1.496	+ .003 / -.003	22.95
RCAT-4J7532	6.500	+ .004 / -.000	6.500			6.500	+ .004 / -.000	6.117	+ .001 / -.001	0.996	+ .003 / -.003	36.01
RCAT-5J0058	6.500	+ .004 / -.000	6.500			6.500	+ .004 / -.000	6.241	+ .001 / -.001	1.246	+ .003 / -.003	47.35
RCAT-7J1938	6.500	+ .004 / -.000	6.500			6.500	+ .004 / -.000	6.241	+ .001 / -.001	2.000	+ .003 / -.003	42.62
RCAT-7J8880	6.500	+ .004 / -.000	6.500			6.500	+ .004 / -.000	5.990	+ .001 / -.001	0.246	+ .003 / -.003	0/R
RCAT-7J8881	6.500	+ .004 / -.000	6.500			6.500	+ .004 / -.000	5.993	+ .001 / -.001	3.500	+ .003 / -.003	192.53
RCAT-8C9111	6.500	+ .004 / -.000	6.500			6.500	+ .004 / -.000	6.241	+ .001 / -.001	2.000	+ .003 / -.003	18.81
RCAT-8J9703	6.500	+ .004 / -.000	6.500			6.500	+ .004 / -.000	6.240	+ .001 / -.001	1.500	+ .003 / -.003	0/R
RCAT-9J0811	6.500	+ .004 / -.000	6.500			6.500	+ .004 / -.000	6.241	+ .001 / -.001	0.350	+ .003 / -.003	88.69
RCAT-9J3055	6.500	+ .004 / -.000	6.500			6.500	+ .004 / -.000	6.241	+ .001 / -.001	2.875	+ .003 / -.003	92.72
RCAT-9J9806	6.500	+ .004 / -.000	6.500			6.500	+ .004 / -.000	6.241	+ .001 / -.001	1.750	+ .003 / -.003	46.82
RCAT-9T0096	6.500	+ .004 / -.000	6.500			6.500	+ .004 / -.000	6.241	+ .001 / -.001	1.496	+ .003 / -.003	44.83
RCAT-8C0545	6.530	+ .004 / -.000	6.530			6.530	+ .004 / -.000	6.241	+ .001 / -.001	1.246	+ .003 / -.003	0/R
RCAT-8C4830	6.530	+ .004 / -.000	6.530			6.530	+ .004 / -.000	6.241	+ .001 / -.001	1.750	+ .003 / -.003	0/R
RCAT-8C4832	6.530	+ .004 / -.000	6.530			6.530	+ .004 / -.000	6.241	+ .001 / -.001	2.000	+ .003 / -.003	0/R
RCAT-8C4834	6.530	+ .004 / -.000	6.530			6.530	+ .004 / -.000	5.993	+ .001 / -.001	3.500	+ .003 / -.003	0/R
RCAT-8C4836	6.530	+ .004 / -.000	6.530			6.530	+ .004 / -.000	6.241	+ .001 / -.001	1.371	+ .003 / -.003	0/R
RCAT-8T8353	6.530	+ .004 / -.000	6.530			6.530	+ .004 / -.000	6.241	+ .001 / -.001	1.496	+ .003 / -.003	0/R
RCAT-9X7553	6.530	+ .004 / -.000	6.530			6.530	+ .004 / -.000	6.240	+ .001 / -.001	2.744	+ .003 / -.003	0/R
RCAT-9X7554	6.530	+ .004 / -.000	6.530			6.530	+ .004 / -.000	6.240	+ .001 / -.001	2.860	+ .003 / -.003	0/R
RCAT-8C0546	6.560	+ .004 / -.000	6.560			6.560	+ .004 / -.000	6.241	+ .001 / -.001	1.246	+ .003 / -.003	0/R
RCAT-8C4831	6.560	+ .004 / -.000	6.560			6.560	+ .004 / -.000	6.241	+ .001 / -.001	1.750	+ .003 / -.003	0/R
RCAT-8C4833	6.560	+ .004 / -.000	6.560			6.560	+ .004 / -.000	6.241	+ .001 / -.001	2.000	+ .003 / -.003	0/R
RCAT-8C4835	6.560	+ .004 / -.000	6.560			6.560	+ .004 / -.000	5.993	+ .001 / -.001	3.500	+ .003 / -.003	0/R
RCAT-8C4837	6.560	+ .004 / -.000	6.560			6.560	+ .004 / -.000	6.241	+ .001 / -.001	1.371	+ .003 / -.003	0/R
RCAT-8T8354	6.560	+ .004 / -.000	6.560			6.560	+ .004 / -.000	6.241	+ .001 / -.001	1.496	+ .003 / -.003	0/R
RCAT-5I8589	6.680	+ .004 / -.000	6.680			6.680	+ .004 / -.000	6.990	+ .001 / -.001	0.350	+ .003 / -.003	0/R
RCAT-7J3302	6.875	+ .005 / -.000	6.875			6.875	+ .005 / -.000	6.616	+ .001 / -.001	2.000	+ .003 / -.003	38.49

All manufacturer's names, part numbers and descriptions are used for reference purposes only. We do not imply that any part shown is the product of these manufacturers.

**Tel.: (905) 362-0889**  
**Fax: (888) 238-1664**

**KITS 269**

**www.sealsonline.com**

**INDUSTRIAL SEAL KITS**

**MOBILE SEAL KITS**



**CATERPILLAR**

## CAT PARTS - GUIDING ELEMENTS - INCH

## PISTON APPLICATION

Ref. Number	Bore Diameter	Nominal Seal Dimensions			Housing Dimensions				\$		
	Tol.	D	d	H	D1	Tol.	d1	Tol.		H1	Tol.
RCAT-1261957	6.920	+0.005 / -0.000	6.920		6.920	+0.005 / -0.000	7.480	+0.001 / -0.001	0.790	+0.003 / -0.003	79.34
RCAT-3G3470	7.000	+0.005 / -0.000	7.000		7.000	+0.005 / -0.000	6.741	+0.001 / -0.001	2.374	+0.003 / -0.003	51.33
RCAT-3G4641	7.000	+0.005 / -0.000	7.000		7.000	+0.005 / -0.000	6.741	+0.001 / -0.001	3.500	+0.003 / -0.003	O/R
RCAT-3G5098	7.000	+0.005 / -0.000	7.000		7.000	+0.005 / -0.000	6.741	+0.001 / -0.001	1.750	+0.003 / -0.003	38.75
RCAT-8J1662	7.000	+0.005 / -0.000	7.000		7.000	+0.005 / -0.000	6.741	+0.001 / -0.001	3.125	+0.003 / -0.003	60.85
RCAT-8M4228	7.000	+0.005 / -0.000	7.000		7.000	+0.005 / -0.000	6.741	+0.001 / -0.001	1.496	+0.003 / -0.003	37.46
RCAT-9J0711	7.000	+0.005 / -0.000	7.000		7.000	+0.005 / -0.000	6.741	+0.001 / -0.001	2.000	+0.003 / -0.003	48.16
RCAT-8C4838	7.030	+0.005 / -0.000	7.030		7.030	+0.005 / -0.000	6.741	+0.001 / -0.001	1.750	+0.003 / -0.003	O/R
RCAT-8C4840	7.030	+0.005 / -0.000	7.030		7.030	+0.005 / -0.000	6.741	+0.001 / -0.001	3.125	+0.003 / -0.003	O/R
RCAT-8T8363	7.030	+0.005 / -0.000	7.030		7.030	+0.005 / -0.000	6.741	+0.001 / -0.001	2.000	+0.003 / -0.003	O/R
RCAT-8C4839	7.060	+0.005 / -0.000	7.060		7.060	+0.005 / -0.000	6.741	+0.001 / -0.001	1.750	+0.003 / -0.003	O/R
RCAT-8T8364	7.060	+0.005 / -0.000	7.060		7.060	+0.005 / -0.000	6.741	+0.001 / -0.001	2.000	+0.003 / -0.003	O/R
RCAT-1J2674	7.250	+0.005 / -0.000	7.250		7.250	+0.005 / -0.000	6.991	+0.001 / -0.001	1.402	+0.003 / -0.003	35.42
RCAT-1U1734	7.250	+0.005 / -0.000	7.250		7.250	+0.005 / -0.000	6.867	+0.001 / -0.001	3.071	+0.003 / -0.003	97.56
RCAT-3J7848	7.250	+0.005 / -0.000	7.250		7.250	+0.005 / -0.000	6.991	+0.001 / -0.001	1.996	+0.003 / -0.003	39.08
RCAT-8C4846	7.280	+0.005 / -0.000	7.280		7.280	+0.005 / -0.000	6.867	+0.001 / -0.001	3.071	+0.003 / -0.003	O/R
RCAT-8T8319	7.280	+0.005 / -0.000	7.280		7.280	+0.005 / -0.000	6.991	+0.001 / -0.001	1.402	+0.003 / -0.003	O/R
RCAT-8T8341	7.280	+0.005 / -0.000	7.280		7.280	+0.005 / -0.000	6.991	+0.001 / -0.001	1.996	+0.003 / -0.003	O/R
RCAT-8T8320	7.310	+0.005 / -0.000	7.310		7.310	+0.005 / -0.000	6.991	+0.001 / -0.001	1.402	+0.003 / -0.003	O/R
RCAT-8T8342	7.310	+0.005 / -0.000	7.310		7.310	+0.005 / -0.000	6.991	+0.001 / -0.001	1.996	+0.003 / -0.003	O/R
RCAT-1U2218	7.500	+0.005 / -0.000	7.500		7.500	+0.005 / -0.000	7.241	+0.001 / -0.001	1.496	+0.003 / -0.003	59.39
RCAT-8J9936	7.500	+0.005 / -0.000	7.500		7.500	+0.005 / -0.000	7.241	+0.001 / -0.001	2.375	+0.003 / -0.003	58.10
RCAT-9J5562	7.500	+0.005 / -0.000	7.500		7.500	+0.005 / -0.000	7.241	+0.001 / -0.001	2.500	+0.003 / -0.003	51.22
RCAT-8C0549	7.530	+0.005 / -0.000	7.530		7.530	+0.005 / -0.000	7.241	+0.001 / -0.001	1.496	+0.003 / -0.003	O/R
RCAT-8C4848	7.530	+0.005 / -0.000	7.530		7.530	+0.005 / -0.000	7.241	+0.001 / -0.001	2.500	+0.003 / -0.003	O/R
RCAT-8C0550	7.560	+0.005 / -0.000	7.560		7.560	+0.005 / -0.000	7.241	+0.001 / -0.001	1.496	+0.003 / -0.003	O/R
RCAT-8C4849	7.560	+0.005 / -0.000	7.560		7.560	+0.005 / -0.000	7.241	+0.001 / -0.001	2.500	+0.003 / -0.003	O/R
RCAT-3G4625	7.750	+0.005 / -0.000	7.750		7.750	+0.005 / -0.000	7.367	+0.001 / -0.001	4.500	+0.003 / -0.003	251.93
RCAT-4T6932	7.750	+0.005 / -0.000	7.750		7.750	+0.005 / -0.000	7.369	+0.001 / -0.001	4.500	+0.003 / -0.003	191.67
RCAT-7J8886	7.750	+0.005 / -0.000	7.750		7.750	+0.005 / -0.000	7.367	+0.001 / -0.001	0.246	+0.003 / -0.003	O/R
RCAT-7J9247	7.750	+0.005 / -0.000	7.750		7.750	+0.005 / -0.000	7.491	+0.001 / -0.001	3.500	+0.003 / -0.003	78.10
RCAT-9J3624	7.750	+0.005 / -0.000	7.750		7.750	+0.005 / -0.000	7.491	+0.001 / -0.001	2.000	+0.003 / -0.003	47.73
RCAT-9J5037	7.750	+0.005 / -0.000	7.750		7.750	+0.005 / -0.000	7.491	+0.001 / -0.001	1.624	+0.003 / -0.003	56.87
RCAT-1082880	7.780	+0.005 / -0.000	7.780		7.780	+0.005 / -0.000	7.491	+0.001 / -0.001	1.625	+0.003 / -0.003	O/R
RCAT-8C4850	7.780	+0.005 / -0.000	7.780		7.780	+0.005 / -0.000	7.491	+0.001 / -0.001	2.000	+0.003 / -0.003	O/R
RCAT-8C4852	7.780	+0.005 / -0.000	7.780		7.780	+0.005 / -0.000	7.369	+0.001 / -0.001	4.500	+0.003 / -0.003	O/R
RCAT-8C4854	7.780	+0.005 / -0.000	7.780		7.780	+0.005 / -0.000	7.491	+0.001 / -0.001	3.500	+0.003 / -0.003	O/R
RCAT-8C4851	7.810	+0.005 / -0.000	7.810		7.810	+0.005 / -0.000	7.491	+0.001 / -0.001	2.000	+0.003 / -0.003	O/R
RCAT-8C4853	7.810	+0.005 / -0.000	7.810		7.810	+0.005 / -0.000	7.369	+0.001 / -0.001	4.500	+0.003 / -0.003	O/R
RCAT-8T7695	8.000	+0.005 / -0.000	8.000		8.000	+0.005 / -0.000	7.741	+0.001 / -0.001	5.000	+0.003 / -0.003	116.10
RCAT-1J2100	8.000	+0.005 / -0.000	8.000		8.250	+0.005 / -0.000	7.991	+0.001 / -0.001	1.746	+0.003 / -0.003	O/R
RCAT-2J0745	8.250	+0.005 / -0.000	8.250		8.250	+0.005 / -0.000	7.991	+0.001 / -0.001	1.250	+0.003 / -0.003	37.95
RCAT-3G1315	8.250	+0.005 / -0.000	8.250		8.250	+0.005 / -0.000	7.866	+0.001 / -0.001	4.000	+0.003 / -0.003	144.10
RCAT-3G9882	8.250	+0.005 / -0.000	8.250		8.250	+0.005 / -0.000	7.867	+0.001 / -0.001	2.000	+0.003 / -0.003	82.72
RCAT-3J7632	8.250	+0.005 / -0.000	8.250		8.250	+0.005 / -0.000	7.991	+0.001 / -0.001	2.250	+0.003 / -0.003	62.51
RCAT-3J8683	8.250	+0.005 / -0.000	8.250		8.250	+0.005 / -0.000	7.991	+0.001 / -0.001	1.746	+0.003 / -0.003	41.82
RCAT-4J7376	8.250	+0.005 / -0.000	8.250		8.250	+0.005 / -0.000	7.991	+0.001 / -0.001	1.496	+0.003 / -0.003	34.78

All manufacturer's names, part numbers and descriptions are used for reference purposes only. We do not imply that any part shown is the product of these manufacturers.

INDUSTRIAL  
SEAL KITS

MOBILE  
SEAL KITS



CATERPILLAR

## PISTON APPLICATION

## CAT PARTS - GUIDING ELEMENTS - INCH

INDUSTRIAL  
SEAL KITS

MOBILE  
SEAL KITS

CATERPILLAR

Ref. Number	Bore Diameter	Nominal Seal Dimensions			Housing Dimensions				\$			
	Tol.	D	d	H	D1	Tol.	d1	Tol.		H1	Tol.	
RCAT-4T9320	8.250	+ .005 / -.000	8.250			8.250	+ .005 / -.000	7.739	+ .001 / -.001	3.500	+ .003 / -.003	154.59
RCAT-7J3301	8.250	+ .005 / -.000	8.250			8.250	+ .005 / -.000	7.991	+ .001 / -.001	2.500	+ .003 / -.003	68.48
RCAT-7J8887	8.250	+ .005 / -.000	8.250			8.250	+ .005 / -.000	7.740	+ .001 / -.001	0.502	+ .003 / -.003	0/R
RCAT-8J8375	8.250	+ .005 / -.000	8.250			8.250	+ .005 / -.000	7.991	+ .001 / -.001	2.125	+ .003 / -.003	47.84
RCAT-8J8826	8.250	+ .005 / -.000	8.250			8.250	+ .005 / -.000	7.991	+ .001 / -.001	2.750	+ .003 / -.003	117.82
RCAT-9J3056	8.250	+ .005 / -.000	8.250			8.250	+ .005 / -.000	7.991	+ .001 / -.001	4.125	+ .003 / -.003	126.64
RCAT-8C4856	8.280	+ .005 / -.000	8.280			8.280	+ .005 / -.000	7.991	+ .001 / -.001	2.125	+ .003 / -.003	0/R
RCAT-8C4858	8.280	+ .005 / -.000	8.280			8.280	+ .005 / -.000	7.991	+ .001 / -.001	2.250	+ .003 / -.003	0/R
RCAT-8C4864	8.280	+ .005 / -.000	8.280			8.280	+ .005 / -.000	7.867	+ .001 / -.001	2.000	+ .003 / -.003	0/R
RCAT-8C4866	8.280	+ .005 / -.000	8.280			8.280	+ .005 / -.000	7.739	+ .001 / -.001	3.500	+ .003 / -.003	0/R
RCAT-8T8323	8.280	+ .005 / -.000	8.280			8.280	+ .005 / -.000	7.991	+ .001 / -.001	1.746	+ .003 / -.003	0/R
RCAT-8T8333	8.280	+ .005 / -.000	8.280			8.280	+ .005 / -.000	7.991	+ .001 / -.001	1.496	+ .003 / -.003	0/R
RCAT-8C4857	8.310	+ .005 / -.000	8.310			8.310	+ .005 / -.000	7.991	+ .001 / -.001	2.125	+ .003 / -.003	0/R
RCAT-8C4859	8.310	+ .005 / -.000	8.310			8.310	+ .005 / -.000	7.991	+ .001 / -.001	2.250	+ .003 / -.003	0/R
RCAT-8C4867	8.310	+ .005 / -.000	8.310			8.310	+ .005 / -.000	7.739	+ .001 / -.001	3.500	+ .003 / -.003	0/R
RCAT-8T8324	8.310	+ .005 / -.000	8.310			8.310	+ .005 / -.000	7.991	+ .001 / -.001	1.746	+ .003 / -.003	0/R
RCAT-8T8334	8.310	+ .005 / -.000	8.310			8.310	+ .005 / -.000	7.991	+ .001 / -.001	1.496	+ .003 / -.003	0/R
RCAT-6J9365	8.500	+ .005 / -.000	8.500			8.500	+ .005 / -.000	8.241	+ .001 / -.001	1.996	+ .003 / -.003	92.18
RCAT-7J8064	8.500	+ .005 / -.000	8.500			8.500	+ .005 / -.000	8.241	+ .001 / -.001	2.374	+ .003 / -.003	67.78
RCAT-8T7694	8.500	+ .005 / -.000	8.500			8.500	+ .005 / -.000	8.241	+ .001 / -.001	3.010	+ .003 / -.003	49.13
RCAT-8C4868	8.530	+ .005 / -.000	8.530			8.530	+ .005 / -.000	8.241	+ .001 / -.001	2.374	+ .003 / -.003	0/R
RCAT-8C4869	8.560	+ .005 / -.000	8.560			8.560	+ .005 / -.000	8.241	+ .001 / -.001	2.374	+ .003 / -.003	0/R
RCAT-1080120	9.000	+ .005 / -.000	9.000			9.000	+ .005 / -.000	8.750	+ .001 / -.001	5.000	+ .003 / -.003	0/R
RCAT-1J5281	9.250	+ .005 / -.000	9.250			9.250	+ .005 / -.000	8.991	+ .001 / -.001	1.746	+ .003 / -.003	52.08
RCAT-4T5949	9.250	+ .005 / -.000	9.250			9.250	+ .005 / -.000	8.991	+ .001 / -.001	1.969	+ .003 / -.003	106.10
RCAT-7J2087	9.250	+ .005 / -.000	9.250			9.250	+ .005 / -.000	8.991	+ .001 / -.001	2.250	+ .003 / -.003	63.53
RCAT-8C0551	9.280	+ .005 / -.000	9.280			9.280	+ .005 / -.000	8.991	+ .001 / -.001	2.250	+ .003 / -.003	0/R
RCAT-8T8321	9.280	+ .005 / -.000	9.280			9.280	+ .005 / -.000	8.991	+ .001 / -.001	1.746	+ .003 / -.003	0/R
RCAT-8C0552	9.310	+ .005 / -.000	9.310			9.310	+ .005 / -.000	8.991	+ .001 / -.001	2.250	+ .003 / -.003	0/R
RCAT-8T8322	9.310	+ .005 / -.000	9.310			9.310	+ .005 / -.000	8.991	+ .001 / -.001	1.746	+ .003 / -.003	0/R
RCAT-4T6097	9.500	+ .005 / -.000	9.500			9.500	+ .005 / -.000	9.117	+ .001 / -.001	1.969	+ .003 / -.003	158.13
RCAT-7J8883	9.500	+ .005 / -.000	9.500			9.500	+ .005 / -.000	9.250	+ .001 / -.001	0.503	+ .003 / -.003	0/R
RCAT-7J8884	9.500	+ .005 / -.000	9.500			9.500	+ .005 / -.000	8.993	+ .001 / -.001	3.500	+ .003 / -.003	299.98
RCAT-8J9932	9.500	+ .005 / -.000	9.500			9.500	+ .005 / -.000	9.241	+ .001 / -.001	3.079	+ .003 / -.003	92.34
RCAT-1178865	10.000	+ .005 / -.000	10.000			10.000	+ .005 / -.000	9.741	+ .001 / -.001	1.496	+ .003 / -.003	79.39
RCAT-1214175	10.000	+ .005 / -.000	10.000			10.000	+ .005 / -.000	9.741	+ .001 / -.001	1.915	+ .003 / -.003	387.65
RCAT-8C3843	10.000	+ .005 / -.000	10.000			10.000	+ .005 / -.000	9.741	+ .001 / -.001	2.756	+ .003 / -.003	0/R
RCAT-9J3369	10.000	+ .005 / -.000	10.000			10.000	+ .005 / -.000	9.741	+ .001 / -.001	3.250	+ .003 / -.003	124.65
RCAT-1293701	10.030	+ .005 / -.000	10.030			10.030	+ .005 / -.000	9.740	+ .001 / -.001	1.500	+ .003 / -.003	110.62
RCAT-8C4874	10.030	+ .005 / -.000	10.030			10.030	+ .005 / -.000	9.741	+ .001 / -.001	3.250	+ .003 / -.003	0/R
RCAT-8C4875	10.060	+ .005 / -.000	10.060			10.060	+ .005 / -.000	9.741	+ .001 / -.001	3.250	+ .003 / -.003	0/R
RCAT-7J8890	10.250	+ .005 / -.000	10.250			10.250	+ .005 / -.000	9.740	+ .001 / -.001	0.246	+ .003 / -.003	0/R
RCAT-7J8891	10.250	+ .005 / -.000	10.250			10.250	+ .005 / -.000	9.743	+ .001 / -.001	3.500	+ .003 / -.003	206.94
RCAT-8C4876	10.280	+ .005 / -.000	10.280			10.280	+ .005 / -.000	9.743	+ .001 / -.001	3.500	+ .003 / -.003	0/R
RCAT-8C4877	10.310	+ .005 / -.000	10.310			10.310	+ .005 / -.000	9.743	+ .001 / -.001	3.500	+ .003 / -.003	0/R
RCAT-7J1065	10.500	+ .005 / -.000	10.500			10.500	+ .005 / -.000	10.241	+ .001 / -.001	3.501	+ .003 / -.003	243.81
RCAT-8J5980	10.500	+ .005 / -.000	10.500			10.500	+ .005 / -.000	10.241	+ .001 / -.001	4.000	+ .003 / -.003	104.60

All manufacturer's names, part numbers and descriptions are used for reference purposes only. We do not imply that any part shown is the product of these manufacturers.

**Tel.: (204) 783-9617**  
**Fax: (204) 783-6091**

**KITS 271**

[www.sealsonline.com](http://www.sealsonline.com)

## CAT PARTS - GUIDING ELEMENTS - INCH

## PISTON APPLICATION

Ref. Number	Bore Diameter		Nominal Seal Dimensions			Housing Dimensions				\$		
		Tol.	D	d	H	D1	Tol.	d1	Tol.		H1	Tol.
RCAT-8J8900	10.500	+ .005 / - .000	10.500			10.500	+ .005 / - .000	10.241	+ .001 / - .001	3.750	+ .003 / - .003	184.58
RCAT-9J1159	10.500	+ .005 / - .000	10.500			10.500	+ .005 / - .000	10.241	+ .001 / - .001	2.750	+ .003 / - .003	179.74
RCAT-8C4878	10.530	+ .005 / - .000	10.530			10.530	+ .005 / - .000	10.241	+ .001 / - .001	2.750	+ .003 / - .003	O/R
RCAT-8C4880	10.530	+ .005 / - .000	10.530			10.530	+ .005 / - .000	10.241	+ .001 / - .001	4.000	+ .003 / - .003	O/R
RCAT-8C4879	10.560	+ .005 / - .000	10.560			10.560	+ .005 / - .000	10.241	+ .001 / - .001	2.750	+ .003 / - .003	O/R
RCAT-8C4881	10.560	+ .005 / - .000	10.560			10.560	+ .005 / - .000	10.241	+ .001 / - .001	4.000	+ .003 / - .003	O/R
RCAT-8T6637	10.750	+ .005 / - .000	10.750			10.750	+ .005 / - .000	10.367	+ .001 / - .001	6.500	+ .003 / - .003	711.54
RCAT-1080124	11.000	+ .006 / - .000	11.000			11.000	+ .006 / - .000	10.741	+ .001 / - .001	3.250	+ .003 / - .003	173.99
RCAT-6E0249	11.000	+ .005 / - .000	11.000			11.000	+ .005 / - .000	10.741	+ .001 / - .001	1.930	+ .003 / - .003	365.02
RCAT-1293702	11.030	+ .006 / - .000	11.030			11.030	+ .006 / - .000	10.741	+ .001 / - .001	3.250	+ .003 / - .003	O/R
RCAT-1293703	11.030	+ .006 / - .000	11.030			11.030	+ .006 / - .000	10.741	+ .001 / - .001	1.929	+ .003 / - .003	O/R
RCAT-4T4815	11.500	+ .006 / - .000	11.500			11.500	+ .006 / - .000	11.241	+ .001 / - .001	4.000	+ .003 / - .003	90.03
RCAT-9J2991	11.500	+ .006 / - .000	11.500			11.500	+ .006 / - .000	11.241	+ .001 / - .001	3.875	+ .003 / - .003	121.58
RCAT-8C4882	11.530	+ .006 / - .000	11.530			11.530	+ .006 / - .000	11.241	+ .001 / - .001	3.875	+ .003 / - .003	O/R
RCAT-8C4883	11.560	+ .006 / - .000	11.560			11.560	+ .006 / - .000	11.241	+ .001 / - .001	3.875	+ .003 / - .003	O/R
RCAT-1503409	12.000	+ .005 / - .000	12.000			12.000	+ .005 / - .000	11.741	+ .001 / - .001	2.460	+ .003 / - .003	529.65
RCAT-9X7331	12.000	+ .006 / - .000	12.000			12.000	+ .006 / - .000	11.740	+ .001 / - .001	1.460	+ .003 / - .003	O/R
RCAT-4T6096	12.250	+ .006 / - .000	12.250			12.250	+ .006 / - .000	11.867	+ .001 / - .001	4.000	+ .003 / - .003	326.32
RCAT-1U2694	12.500	+ .006 / - .000	12.500			12.500	+ .006 / - .000	12.241	+ .001 / - .001	4.000	+ .003 / - .003	208.93
RCAT-6E0308	12.500	+ .006 / - .000	12.500			12.500	+ .006 / - .000	12.241	+ .001 / - .001	1.457	+ .003 / - .003	O/R
RCAT-1293705	12.530	+ .006 / - .000	12.530			12.530	+ .006 / - .000	12.241	+ .001 / - .001	1.457	+ .003 / - .003	O/R
RCAT-1530119	12.750	+ .005 / - .000	12.750			12.750	+ .005 / - .000	12.491	+ .001 / - .001	4.015	+ .003 / - .003	572.38
RCAT-1086215	13.000	+ .006 / - .000	13.000			13.000	+ .006 / - .000	12.741	+ .001 / - .001	1.457	+ .003 / - .003	121.85
RCAT-1293704	13.030	+ .006 / - .000	13.030			13.030	+ .006 / - .000	12.741	+ .001 / - .001	1.457	+ .003 / - .003	O/R
RCAT-1U4627	13.125	+ .006 / - .000	13.125			13.125	+ .006 / - .000	12.742	+ .001 / - .001	7.870	+ .003 / - .003	1206.37
RCAT-4T8019	13.125	+ .006 / - .000	13.125			13.125	+ .006 / - .000	12.742	+ .001 / - .001	6.500	+ .003 / - .003	1124.72
RCAT-8C9155	13.125	+ .006 / - .000	13.125			13.125	+ .006 / - .000	12.934	+ .001 / - .001	5.028	+ .003 / - .003	O/R
RCAT-1214188	13.500	+ .006 / - .000	13.500			13.500	+ .006 / - .000	13.241	+ .001 / - .001	1.457	+ .003 / - .003	125.56
RCAT-1301859	13.530	+ .006 / - .000	13.530			13.530	+ .006 / - .000	13.241	+ .001 / - .001	1.457	+ .003 / - .003	O/R
RCAT-6E0247	13.750	+ .006 / - .000	13.750			13.750	+ .006 / - .000	13.491	+ .001 / - .001	4.020	+ .003 / - .003	830.12
RCAT-4T4129	14.250	+ .006 / - .000	14.250			14.250	+ .006 / - .000	13.991	+ .001 / - .001	4.000	+ .003 / - .003	353.51
RCAT-1503411	14.750	+ .006 / - .000	14.750			14.750	+ .006 / - .000	14.367	+ .001 / - .001	4.760	+ .003 / - .003	950.68
RCAT-4T4825	15.125	+ .006 / - .000	15.125			15.125	+ .006 / - .000	14.742	+ .001 / - .001	7.720	+ .003 / - .003	1139.02
RCAT-9X3564	16.125	+ .006 / - .000	16.125			16.125	+ .006 / - .000	15.710	+ .001 / - .001	7.720	+ .003 / - .003	1597.83
RCAT-1518411	16.750	+ .006 / - .000	16.750			16.750	+ .006 / - .000	16.495	+ .001 / - .001	4.000	+ .003 / - .003	993.84
RCAT-1490811	18.375	+ .006 / - .000	18.375			18.375	+ .006 / - .000	17.990	+ .001 / - .001	7.720	+ .003 / - .003	1507.85

All manufacturer's names, part numbers and descriptions are used for reference purposes only. We do not imply that any part shown is the product of these manufacturers.

INDUSTRIAL  
SEAL KITS

MOBILE  
SEAL KITS

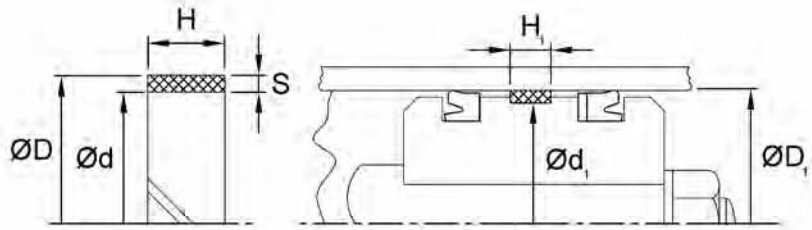
CATERPILLAR

## PISTON APPLICATION

## CAT PARTS - GUIDING ELEMENTS - METRIC

### WR - Guiding Elements

Nylon



Temperature: -40/250F [ -40/121C ]

Pressure: N/A

Ref. Number	Bore Diameter		Nominal Seal Dimensions			Housing Dimensions				\$		
		Tol.	D	d	H	D1	Tol.	d1	Tol.		H1	Tol.
RCAT-7Y4652	55.00	+0.10 / -0.00	55.00			55.00	+0.10 / -0.00	65.00	+0.02 / -0.02	7.90	+0.05 / -0.05	O/R
RCAT-2U0831	55.00	+0.10 / -0.00	55.00			55.00	+0.10 / -0.00	68.00	+0.02 / -0.02	6.00	+0.05 / -0.05	O/R
RCAT-1182727	70.00	+0.10 / -0.00	70.00			70.00	+0.10 / -0.00	75.00	+0.02 / -0.02	1.40	+0.05 / -0.05	O/R
RCAT-1182717	70.00	+0.10 / -0.00	70.00			70.00	+0.10 / -0.00	75.00	+0.02 / -0.02	14.80	+0.05 / -0.05	O/R
RCAT-1257007	80.00	+0.10 / -0.00	80.00			80.00	+0.10 / -0.00	85.00	+0.02 / -0.02	9.50	+0.05 / -0.05	O/R
RCAT-1057252	80.00	+0.10 / -0.00	80.00			80.00	+0.10 / -0.00	71.98	+0.02 / -0.02	6.15	+0.05 / -0.05	O/R
RCAT-0997002	80.00	+0.10 / -0.00	80.00			80.00	+0.10 / -0.00	73.98	+0.02 / -0.02	30.10	+0.05 / -0.05	O/R
RCAT-1052630	90.00	+0.10 / -0.00	90.00			90.00	+0.10 / -0.00	81.98	+0.02 / -0.02	6.15	+0.05 / -0.05	O/R
RCAT-0996976	90.00	+0.10 / -0.00	90.00			90.00	+0.10 / -0.00	83.98	+0.02 / -0.02	30.10	+0.05 / -0.05	O/R
RCAT-0931628	100.00	+0.10 / -0.00	100.00			100.00	+0.10 / -0.00	91.93	+0.02 / -0.02	6.25	+0.05 / -0.05	O/R
RCAT-0931605	100.00	+0.10 / -0.00	100.00			100.00	+0.10 / -0.00	93.87	+0.02 / -0.02	30.30	+0.05 / -0.05	O/R
RCAT-1333096	100.76	+0.10 / -0.00	100.76			100.76	+0.10 / -0.00	91.93	+0.02 / -0.02	6.25	+0.05 / -0.05	O/R
RCAT-1333097	100.76	+0.10 / -0.00	100.76			100.76	+0.10 / -0.00	93.87	+0.02 / -0.02	30.30	+0.05 / -0.05	O/R
RCAT-0931629	110.00	+0.10 / -0.00	110.00			110.00	+0.10 / -0.00	101.98	+0.02 / -0.02	6.25	+0.05 / -0.05	O/R
RCAT-0931603	110.00	+0.10 / -0.00	110.00			110.00	+0.10 / -0.00	103.87	+0.02 / -0.02	30.30	+0.05 / -0.05	O/R
RCAT-1333100	110.76	+0.10 / -0.00	110.76			110.76	+0.10 / -0.00	101.98	+0.02 / -0.02	6.25	+0.05 / -0.05	O/R
RCAT-1333101	110.76	+0.10 / -0.00	110.76			110.76	+0.10 / -0.00	103.87	+0.02 / -0.02	30.30	+0.05 / -0.05	O/R
RCAT-0931630	120.00	+0.10 / -0.00	120.00			120.00	+0.10 / -0.00	111.93	+0.02 / -0.02	6.25	+0.05 / -0.05	O/R
RCAT-0931604	120.00	+0.10 / -0.00	120.00			120.00	+0.10 / -0.00	113.87	+0.02 / -0.02	30.30	+0.05 / -0.05	O/R
RCAT-0875505	120.00	+0.10 / -0.00	120.00			120.00	+0.10 / -0.00	113.87	+0.02 / -0.02	35.30	+0.05 / -0.05	O/R
RCAT-1082888	120.76	+0.10 / -0.00	120.76			120.76	+0.10 / -0.00	111.93	+0.02 / -0.02	6.25	+0.05 / -0.05	O/R
RCAT-1233153	120.76	+0.10 / -0.00	120.76			120.76	+0.10 / -0.00	113.87	+0.02 / -0.02	30.30	+0.05 / -0.05	O/R
RCAT-1082885	120.76	+0.10 / -0.00	120.76			120.76	+0.10 / -0.00	113.87	+0.02 / -0.02	35.30	+0.05 / -0.05	O/R
RCAT-7Y4632	130.00	+0.10 / -0.00	130.00			130.00	+0.10 / -0.00	121.93	+0.02 / -0.02	8.25	+0.05 / -0.05	O/R
RCAT-1184019	130.00	+0.10 / -0.00	130.00			130.00	+0.10 / -0.00	122.87	+0.02 / -0.02	40.30	+0.05 / -0.05	O/R
RCAT-1082890	130.76	+0.10 / -0.00	130.76			130.76	+0.10 / -0.00	121.93	+0.02 / -0.02	8.25	+0.05 / -0.05	O/R
RCAT-1082884	130.76	+0.10 / -0.00	130.76			130.76	+0.10 / -0.00	122.87	+0.02 / -0.02	40.30	+0.05 / -0.05	O/R
RCAT-0961800	140.00	+0.10 / -0.00	140.00			140.00	+0.10 / -0.00	131.93	+0.02 / -0.02	8.25	+0.05 / -0.05	O/R
RCAT-1076264	140.00	+0.10 / -0.00	140.00			140.00	+0.10 / -0.00	131.93	+0.02 / -0.02	8.25	+0.05 / -0.05	O/R
RCAT-0875429	140.00	+0.10 / -0.00	140.00			140.00	+0.10 / -0.00	132.87	+0.02 / -0.02	45.30	+0.05 / -0.05	O/R
RCAT-1076263	140.00	+0.10 / -0.00	140.00			140.00	+0.10 / -0.00	134.87	+0.02 / -0.02	9.70	+0.05 / -0.05	O/R
RCAT-1333104	140.76	+0.10 / -0.00	140.76			140.76	+0.10 / -0.00	131.93	+0.02 / -0.02	8.25	+0.05 / -0.05	O/R
RCAT-1356988	140.76	+0.10 / -0.00	140.76			140.76	+0.10 / -0.00	132.87	+0.02 / -0.02	45.30	+0.05 / -0.05	O/R
RCAT-1333105	140.76	+0.10 / -0.00	140.76			140.76	+0.10 / -0.00	134.87	+0.02 / -0.02	9.70	+0.05 / -0.05	O/R

All manufacturer's names, part numbers and descriptions are used for reference purposes only. We do not imply that any part shown is the product of these manufacturers.

Tel.: (780) 414-1871  
Fax: (780) 487-5419

**KITS 273**

[www.sealsonline.com](http://www.sealsonline.com)

INDUSTRIAL  
SEAL KITS

MOBILE  
SEAL KITS



CATERPILLAR

## PISTON APPLICATION

## CAT PARTS - GUIDING ELEMENTS - METRIC

Ref. Number	Bore Diameter		Nominal Seal Dimensions			Housing Dimensions						\$
		Tol.	D	d	H	D1	Tol.	d1	Tol.	H1	Tol.	
RCAT-0961581	150.00	+0.10 / -0.00	150.00			150.00	+0.10 / -0.00	141.93	+0.02 / -0.02	8.25	+0.05 / -0.05	O/R
RCAT-7Y4697	150.00	+0.10 / -0.00	150.00			150.00	+0.10 / -0.00	142.87	+0.02 / -0.02	45.30	+0.05 / -0.05	O/R
RCAT-1082889	150.76	+0.10 / -0.00	150.76			150.76	+0.10 / -0.00	141.93	+0.02 / -0.02	8.25	+0.05 / -0.05	O/R
RCAT-1082886	150.76	+0.10 / -0.00	150.76			150.76	+0.10 / -0.00	142.87	+0.02 / -0.02	45.30	+0.05 / -0.05	O/R
RCAT-0963201	160.00	+0.10 / -0.00	160.00			160.00	+0.10 / -0.00	151.93	+0.02 / -0.02	9.25	+0.05 / -0.05	O/R
RCAT-0875539	160.00	+0.10 / -0.00	160.00			160.00	+0.10 / -0.00	152.87	+0.02 / -0.02	45.30	+0.05 / -0.05	O/R
RCAT-1333108	160.76	+0.10 / -0.00	160.76			160.76	+0.10 / -0.00	151.93	+0.02 / -0.02	9.25	+0.05 / -0.05	O/R
RCAT-1333109	160.76	+0.10 / -0.00	160.76			160.76	+0.10 / -0.00	152.87	+0.02 / -0.02	45.30	+0.05 / -0.05	O/R
RCAT-1057262	170.00	+0.10 / -0.00	170.00			170.00	+0.10 / -0.00	161.87	+0.02 / -0.02	50.30	+0.05 / -0.05	O/R
RCAT-0965609	170.00	+0.10 / -0.00	170.00			170.00	+0.10 / -0.00	161.93	+0.02 / -0.02	9.25	+0.05 / -0.05	O/R
RCAT-1333113	170.76	+0.10 / -0.00	170.76			170.76	+0.10 / -0.00	161.87	+0.02 / -0.02	50.30	+0.05 / -0.05	O/R
RCAT-1333112	170.76	+0.10 / -0.00	170.76			170.76	+0.10 / -0.00	161.93	+0.02 / -0.02	9.25	+0.05 / -0.05	O/R
RCAT-1052653	180.00	+0.13 / -0.00	180.00			180.00	+0.13 / -0.00	171.86	+0.02 / -0.02	55.30	+0.05 / -0.05	O/R
RCAT-0965167	180.00	+0.13 / -0.00	180.00			180.00	+0.13 / -0.00	171.93	+0.02 / -0.02	9.25	+0.05 / -0.05	O/R
RCAT-1333117	180.76	+0.13 / -0.00	180.76			180.76	+0.13 / -0.00	171.86	+0.02 / -0.02	55.30	+0.05 / -0.05	O/R
RCAT-1333116	180.76	+0.13 / -0.00	180.76			180.76	+0.13 / -0.00	171.93	+0.02 / -0.02	9.25	+0.05 / -0.05	O/R
RCAT-0857248	200.00	+0.13 / -0.00	200.00			200.00	+0.13 / -0.00	191.93	+0.02 / -0.02	9.25	+0.05 / -0.05	O/R
RCAT-9X3570	200.00	+0.13 / -0.00	200.00			200.00	+0.13 / -0.00	193.42	+0.02 / -0.02	60.00	+0.05 / -0.05	O/R
RCAT-1334884	200.76	+0.13 / -0.00	200.76			200.76	+0.13 / -0.00	191.93	+0.02 / -0.02	9.25	+0.05 / -0.05	O/R
RCAT-1334885	200.76	+0.13 / -0.00	200.76			200.76	+0.13 / -0.00	193.42	+0.02 / -0.02	60.00	+0.05 / -0.05	O/R
RCAT-1251204	220.00	+0.13 / -0.00	220.00			220.00	+0.13 / -0.00	213.42	+0.02 / -0.02	38.00	+0.05 / -0.05	O/R
RCAT-4I6443	220.00	+0.13 / -0.00	220.00			220.00	+0.13 / -0.00	211.93	+0.02 / -0.02	9.25	+0.05 / -0.05	O/R
RCAT-6E0496	220.00	+0.13 / -0.00	220.00			220.00	+0.13 / -0.00	213.42	+0.02 / -0.02	60.00	+0.05 / -0.05	O/R

All manufacturer's names, part numbers and descriptions are used for reference purposes only. We do not imply that any part shown is the product of these manufacturers.

INDUSTRIAL  
SEAL KITS

MOBILE  
SEAL KITS

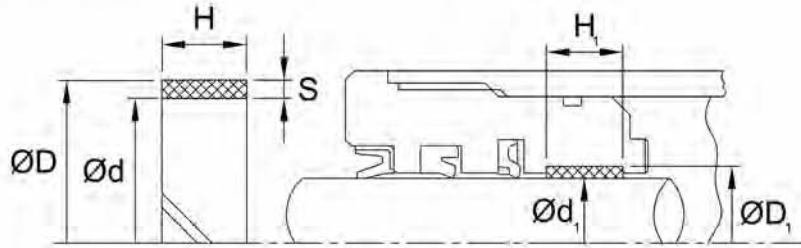


CATERPILLAR

## ROD APPLICATION

## CAT PARTS - GUIDING ELEMENTS - INCH

### WR - Guiding Elements Nylon



Temperature: -40/250F [ -40/121C ]

Pressure: N/A

Ref. Number	Rod Diameter	Nominal Seal Dimensions			Housing Dimensions				\$		
	Tol.	d	D	h	d1	Tol.	D1	Tol.		H1	Tol.
RCAT-4T6780	1.500	+0.000 / -0.002	1.500		1.500	+0.000 / -0.002	1.621	+0.001 / -0.001	0.984	+0.003 / -0.003	13.92
RCAT-8C3853	1.500	+0.000 / -0.002	1.500		1.500	+0.000 / -0.002	1.621	+0.001 / -0.001	2.087	+0.003 / -0.003	0/R
RCAT-8C9120	1.500	+0.000 / -0.002	1.500		1.500	+0.000 / -0.002	1.621	+0.001 / -0.001	0.827	+0.003 / -0.003	22.20
RCAT-8T5443	1.500	+0.000 / -0.002	1.500		1.500	+0.000 / -0.002	1.621	+0.001 / -0.001	1.250	+0.003 / -0.003	21.02
RCAT-4T6907	1.750	+0.000 / -0.002	1.750		1.750	+0.000 / -0.002	1.871	+0.001 / -0.001	0.984	+0.003 / -0.003	13.98
RCAT-4T6779	1.875	+0.000 / -0.002	1.875		1.875	+0.000 / -0.002	1.996	+0.001 / -0.001	0.984	+0.003 / -0.003	19.14
RCAT-8T6441	1.875	+0.000 / -0.002	1.875		1.875	+0.000 / -0.002	1.996	+0.001 / -0.001	0.256	+0.003 / -0.003	18.92
RCAT-8T6442	1.875	+0.000 / -0.002	1.875		1.875	+0.000 / -0.002	1.996	+0.001 / -0.001	0.728	+0.003 / -0.003	21.45
RCAT-4T5613	2.000	+0.000 / -0.002	2.000		2.000	+0.000 / -0.002	2.121	+0.001 / -0.001	0.984	+0.003 / -0.003	11.83
RCAT-8C3836	2.000	+0.000 / -0.002	2.000		2.000	+0.000 / -0.002	2.121	+0.001 / -0.001	1.575	+0.003 / -0.003	0/R
RCAT-8T7030	2.000	+0.000 / -0.002	2.000		2.000	+0.000 / -0.002	2.121	+0.001 / -0.001	1.250	+0.003 / -0.003	26.98
RCAT-8T8205	2.000	+0.000 / -0.002	2.000		2.000	+0.000 / -0.002	2.121	+0.001 / -0.001	0.787	+0.003 / -0.003	36.17
RCAT-7J2171	2.000	+0.000 / -0.002	2.000		2.000	+0.000 / -0.002	2.505	+0.001 / -0.001	1.063	+0.003 / -0.003	0/R
RCAT-4T6128	2.125	+0.000 / -0.002	2.125		2.125	+0.000 / -0.002	2.246	+0.001 / -0.001	0.984	+0.003 / -0.003	24.30
RCAT-8T6681	2.125	+0.000 / -0.002	2.125		2.125	+0.000 / -0.002	2.246	+0.001 / -0.001	0.728	+0.003 / -0.003	44.08
RCAT-8T6682	2.125	+0.000 / -0.002	2.125		2.125	+0.000 / -0.002	2.246	+0.001 / -0.001	0.335	+0.003 / -0.003	44.72
RCAT-8T4958	2.250	+0.000 / -0.002	2.250		2.250	+0.000 / -0.002	2.371	+0.001 / -0.001	0.984	+0.003 / -0.003	15.70
RCAT-8T8204	2.250	+0.000 / -0.002	2.250		2.250	+0.000 / -0.002	2.371	+0.001 / -0.001	1.181	+0.003 / -0.003	40.58
RCAT-8J1585	2.250	+0.000 / -0.002	2.250		2.250	+0.000 / -0.002	3.350	+0.001 / -0.001	1.430	+0.003 / -0.003	0/R
RCAT-9X7260	2.375	+0.000 / -0.002	2.375		2.375	+0.000 / -0.002	2.498	+0.001 / -0.001	1.260	+0.003 / -0.003	20.69
RCAT-8T0785	2.500	+0.000 / -0.003	2.500		2.500	+0.000 / -0.003	2.621	+0.001 / -0.001	0.984	+0.003 / -0.003	29.29
RCAT-8T5668	2.500	+0.000 / -0.003	2.500		2.500	+0.000 / -0.003	2.621	+0.001 / -0.001	1.250	+0.003 / -0.003	18.97
RCAT-8T8394	2.500	+0.000 / -0.003	2.500		2.500	+0.000 / -0.003	2.621	+0.001 / -0.001	1.693	+0.003 / -0.003	49.40
RCAT-8T8365	2.500	+0.000 / -0.003	2.500		2.500	+0.000 / -0.003	2.700	+0.001 / -0.001	2.283	+0.003 / -0.003	40.74
RCAT-8T7372	2.625	+0.000 / -0.003	2.625		2.625	+0.000 / -0.003	2.746	+0.001 / -0.001	0.984	+0.003 / -0.003	80.46
RCAT-6C2385	2.750	+0.000 / -0.003	2.750		2.750	+0.000 / -0.003	2.871	+0.001 / -0.001	1.260	+0.003 / -0.003	26.82
RCAT-8C9114	2.750	+0.000 / -0.003	2.750		2.750	+0.000 / -0.003	2.871	+0.001 / -0.001	1.004	+0.003 / -0.003	24.08
RCAT-8C9200	2.750	+0.000 / -0.003	2.750		2.750	+0.000 / -0.003	2.871	+0.001 / -0.001	1.004	+0.003 / -0.003	21.18
RCAT-8T7020	2.750	+0.000 / -0.003	2.750		2.750	+0.000 / -0.003	2.871	+0.001 / -0.001	1.811	+0.003 / -0.003	45.80
RCAT-8T7849	2.750	+0.000 / -0.003	2.750		2.750	+0.000 / -0.003	2.871	+0.001 / -0.001	1.575	+0.003 / -0.003	43.70
RCAT-8T6743	2.750	+0.000 / -0.003	2.750		2.750	+0.000 / -0.003	2.950	+0.001 / -0.001	1.969	+0.003 / -0.003	30.42
RCAT-4T7283	2.750	+0.000 / -0.003	2.750		2.750	+0.000 / -0.003	3.005	+0.001 / -0.001	1.250	+0.003 / -0.003	35.05
RCAT-8C9161	3.000	+0.000 / -0.004	3.000		3.000	+0.000 / -0.004	3.121	+0.001 / -0.001	0.984	+0.003 / -0.003	21.66
RCAT-8T1714	3.000	+0.000 / -0.004	3.000		3.000	+0.000 / -0.004	3.121	+0.001 / -0.001	1.575	+0.003 / -0.003	59.29

All manufacturer's names, part numbers and descriptions are used for reference purposes only. We do not imply that any part shown is the product of these manufacturers.

Tel.: (403) 279-1871  
Fax: (403) 279-1821

**KITS 275**

[www.sealsonline.com](http://www.sealsonline.com)

INDUSTRIAL  
SEAL KITS

MOBILE  
SEAL KITS



CATERPILLAR



## CAT PARTS - GUIDING ELEMENTS - INCH

## ROD APPLICATION

Ref. Number	Rod Diameter	Nominal Seal Dimensions			Housing Dimensions				\$		
	Tol.	d	D	h	d1	Tol.	D1	Tol.		H1	Tol.
RCAT-8T7584	3.000 +.000 / -.004	3.000			3.000 +.000 / -.004		3.121 +.001 / -.001		1.654 +.003 / -.003		65.20
RCAT-9T0094	3.000 +.000 / -.004	3.000			3.000 +.000 / -.004		3.121 +.001 / -.001		1.260 +.003 / -.003		33.54
RCAT-8C9153	3.000 +.000 / -.004	3.000			3.000 +.000 / -.004		3.200 +.001 / -.001		1.181 +.003 / -.003		95.94
RCAT-8C9101	3.250 +.000 / -.004	3.250			3.250 +.000 / -.004		3.371 +.001 / -.001		1.122 +.003 / -.003		42.52
RCAT-8T0777	3.250 +.000 / -.004	3.250			3.250 +.000 / -.004		3.371 +.001 / -.001		1.732 +.003 / -.003		38.65
RCAT-8T4813	3.250 +.000 / -.004	3.250			3.250 +.000 / -.004		3.450 +.001 / -.001		1.614 +.003 / -.003		33.33
RCAT-8T6744	3.250 +.000 / -.004	3.250			3.250 +.000 / -.004		3.450 +.001 / -.001		2.756 +.003 / -.003		42.41
RCAT-8T6745	3.250 +.000 / -.004	3.250			3.250 +.000 / -.004		3.450 +.001 / -.001		1.969 +.003 / -.003		37.63
RCAT-8T3329	3.500 +.000 / -.004	3.500			3.500 +.000 / -.004		3.617 +.001 / -.001		1.890 +.003 / -.003		32.90
RCAT-8C5245	3.500 +.000 / -.004	3.500			3.500 +.000 / -.004		3.621 +.001 / -.001		1.063 +.003 / -.003		50.96
RCAT-8C3829	3.500 +.000 / -.004	3.500			3.500 +.000 / -.004		3.700 +.001 / -.001		1.772 +.003 / -.003		46.76
RCAT-8T6746	3.500 +.000 / -.004	3.500			3.500 +.000 / -.004		3.700 +.001 / -.001		2.362 +.003 / -.003		31.71
RCAT-8T3000	3.500 +.000 / -.004	3.500			3.500 +.000 / -.004		3.740 +.001 / -.001		1.650 +.003 / -.003		O/R
RCAT-6J3075	3.500 +.000 / -.004	3.500			3.500 +.000 / -.004		3.756 +.001 / -.001		1.996 +.003 / -.003		30.64
RCAT-1194761	3.500 +.000 / -.004	3.500			3.500 +.000 / -.004		3.760 +.001 / -.001		0.980 +.003 / -.003		39.45
RCAT-8T7848	3.750 +.000 / -.004	3.750			3.750 +.000 / -.004		3.871 +.001 / -.001		1.575 +.003 / -.003		67.40
RCAT-8T3330	3.750 +.000 / -.004	3.750			3.750 +.000 / -.004		3.950 +.001 / -.001		2.441 +.003 / -.003		38.00
RCAT-8T6747	4.000 +.000 / -.005	4.000			4.000 +.000 / -.005		4.200 +.001 / -.001		2.559 +.003 / -.003		51.92
RCAT-8T7538	4.000 +.000 / -.005	4.000			4.000 +.000 / -.005		4.200 +.001 / -.001		1.575 +.003 / -.003		32.14
RCAT-4T4753	4.000 +.000 / -.005	4.000			4.000 +.000 / -.005		4.255 +.001 / -.001		1.890 +.003 / -.003		26.07
RCAT-7J3300	4.000 +.000 / -.005	4.000			4.000 +.000 / -.005		4.258 +.001 / -.001		2.500 +.003 / -.003		46.44
RCAT-1194760	4.000 +.000 / -.005	4.000			4.000 +.000 / -.005		4.260 +.001 / -.001		1.000 +.003 / -.003		41.87
RCAT-8T6748	4.250 +.000 / -.005	4.250			4.250 +.000 / -.005		4.450 +.001 / -.001		2.362 +.003 / -.003		67.99
RCAT-9X3579	4.500 +.000 / -.005	4.500			4.500 +.000 / -.005		4.700 +.001 / -.001		1.970 +.003 / -.003		O/R
RCAT-4T6929	4.500 +.000 / -.005	4.500			4.500 +.000 / -.005		4.754 +.001 / -.001		3.500 +.003 / -.003		86.16
RCAT-9J9792	4.500 +.000 / -.005	4.500			4.500 +.000 / -.005		4.754 +.001 / -.001		3.500 +.003 / -.003		56.87
RCAT-8T7850	4.750 +.000 / -.005	4.750			4.750 +.000 / -.005		4.950 +.001 / -.001		1.969 +.003 / -.003		49.56
RCAT-8T3331	5.000 +.000 / -.005	5.000			5.000 +.000 / -.005		5.200 +.001 / -.001		2.520 +.003 / -.003		85.68
RCAT-9J3054	5.000 +.000 / -.005	5.000			5.000 +.000 / -.005		5.254 +.001 / -.001		3.625 +.003 / -.003		91.70
RCAT-4T5718	5.250 +.000 / -.005	5.250			5.250 +.000 / -.005		5.450 +.001 / -.001		2.500 +.003 / -.003		78.42
RCAT-8J9917	5.500 +.000 / -.005	5.500			5.500 +.000 / -.005		5.752 +.001 / -.001		2.374 +.003 / -.003		54.40
RCAT-9X7420	5.500 +.000 / -.005	5.500			5.500 +.000 / -.005		5.760 +.001 / -.001		2.375 +.003 / -.003		O/R
RCAT-8T3332	5.750 +.000 / -.005	5.750			5.750 +.000 / -.005		5.950 +.001 / -.001		3.622 +.003 / -.003		161.73
RCAT-8T7851	5.750 +.000 / -.005	5.750			5.750 +.000 / -.005		5.950 +.001 / -.001		1.969 +.003 / -.003		91.64
RCAT-6E0499	5.910 +.000 / -.005	5.910			5.910 +.000 / -.005		6.100 +.001 / -.001		2.360 +.003 / -.003		O/R
RCAT-9X3613	6.000 +.000 / -.005	6.000			6.000 +.000 / -.005		6.200 +.001 / -.001		1.969 +.003 / -.003		O/R
RCAT-4T9319	6.000 +.000 / -.005	6.000			6.000 +.000 / -.005		6.255 +.001 / -.001		2.756 +.003 / -.003		87.83
RCAT-7J3299	6.125 +.000 / -.005	6.125			6.125 +.000 / -.005		6.383 +.001 / -.001		2.500 +.003 / -.003		114.92
RCAT-8C3848	6.500 +.000 / -.005	6.500			6.500 +.000 / -.005		6.700 +.001 / -.001		2.598 +.003 / -.003		O/R
RCAT-8C9102	6.500 +.000 / -.005	6.500			6.500 +.000 / -.005		6.700 +.001 / -.001		2.274 +.003 / -.003		O/R
RCAT-4T6931	6.750 +.000 / -.005	6.750			6.750 +.000 / -.005		7.006 +.001 / -.001		3.500 +.003 / -.003		O/R
RCAT-8T6749	7.000 +.000 / -.005	7.000			7.000 +.000 / -.005		7.200 +.001 / -.001		3.150 +.003 / -.003		68.42
RCAT-8T7693	7.000 +.000 / -.005	7.000			7.000 +.000 / -.005		7.259 +.001 / -.001		7.140 +.003 / -.003		292.40
RCAT-8T7692	7.000 +.000 / -.005	7.000			7.000 +.000 / -.005		7.380 +.001 / -.001		7.395 +.003 / -.003		586.31
RCAT-1074347	7.000 +.000 / -.005	7.000			7.000 +.000 / -.005		7.380 +.001 / -.001		7.400 +.003 / -.003		586.31
RCAT-6E0173	7.250 +.000 / -.005	7.250			7.250 +.000 / -.005		7.450 +.001 / -.001		2.350 +.003 / -.003		O/R
RCAT-4T4811	7.250 +.000 / -.005	7.250			7.250 +.000 / -.005		7.504 +.001 / -.001		2.953 +.003 / -.003		181.94

All manufacturer's names, part numbers and descriptions are used for reference purposes only. We do not imply that any part shown is the product of these manufacturers.

**INDUSTRIAL  
SEAL KITS**

**MOBILE  
SEAL KITS**

**CATERPILLAR**

## ROD APPLICATION

## CAT PARTS - GUIDING ELEMENTS - INCH

Ref. Number	Rod Diameter	Nominal Seal Dimensions			Housing Dimensions				\$			
	Tol.	d	D	h	d1	Tol.	D1	Tol.		H1	Tol.	
RCAT-1080130	7.500	+0.000 / -0.005	7.500			7.500	+0.000 / -0.005	7.700	+0.001 / -0.001	3.150	+0.003 / -0.003	95.35
RCAT-1214703	7.750	+0.000 / -0.005	7.750			7.750	+0.000 / -0.005	8.009	+0.001 / -0.001	2.945	+0.003 / -0.003	345.77
RCAT-6E0245	8.000	+0.000 / -0.005	8.000			8.000	+0.000 / -0.005	8.200	+0.001 / -0.001	2.953	+0.003 / -0.003	67.35
RCAT-9X7330	8.250	+0.000 / -0.005	8.250			8.250	+0.000 / -0.005	8.450	+0.001 / -0.001	2.950	+0.003 / -0.003	O/R
RCAT-1086216	8.750	+0.000 / -0.005	8.750			8.750	+0.000 / -0.005	8.950	+0.001 / -0.001	2.953	+0.003 / -0.003	128.52
RCAT-6E0248	8.750	+0.000 / -0.005	8.750			8.750	+0.000 / -0.005	9.009	+0.001 / -0.001	2.950	+0.003 / -0.003	430.38
RCAT-1074349	9.000	+0.000 / -0.005	9.000			9.000	+0.000 / -0.005	9.380	+0.001 / -0.001	8.995	+0.003 / -0.003	794.43
RCAT-8C3846	9.000	+0.000 / -0.005	9.000			9.000	+0.000 / -0.005	9.380	+0.001 / -0.001	8.980	+0.003 / -0.003	794.43
RCAT-1503413	9.750	+0.000 / -0.005	9.750			9.750	+0.000 / -0.005	10.009	+0.001 / -0.001	3.945	+0.003 / -0.003	450.69
RCAT-8C9156	11.000	+0.000 / -0.005	11.000			11.000	+0.000 / -0.005	11.180	+0.001 / -0.001	5.040	+0.003 / -0.003	O/R
RCAT-1U4626	11.000	+0.000 / -0.005	11.000			11.000	+0.000 / -0.005	11.380	+0.001 / -0.001	11.010	+0.003 / -0.003	1182.72
RCAT-4T4827	12.500	+0.000 / -0.005	12.500			12.500	+0.000 / -0.005	12.880	+0.001 / -0.001	12.220	+0.003 / -0.003	1454.80
RCAT-1944420	12.500	+0.000 / -0.005	12.500			12.500	+0.000 / -0.005	12.880	+0.001 / -0.001	4.045	+0.003 / -0.003	1199.32
RCAT-9X7439	13.500	+0.000 / -0.005	13.500			13.500	+0.000 / -0.005	13.880	+0.001 / -0.001	2.375	+0.003 / -0.003	969.54
RCAT-9X3563	13.500	+0.000 / -0.005	13.500			13.500	+0.000 / -0.005	13.880	+0.001 / -0.001	10.020	+0.003 / -0.003	1748.22
RCAT-1490812	15.750	+0.000 / -0.005	15.750			15.750	+0.000 / -0.005	16.130	+0.001 / -0.001	2.370	+0.003 / -0.003	1099.46
RCAT-1490813	15.750	+0.000 / -0.005	15.750			15.750	+0.000 / -0.005	16.130	+0.001 / -0.001	10.020	+0.003 / -0.003	2043.79

INDUSTRIAL SEAL KITS

MOBILE SEAL KITS


## ROD APPLICATION

## CAT PARTS - GUIDING ELEMENTS - METRIC

Ref. Number	Bore Diameter	Nominal Seal Dimensions			Housing Dimensions				\$			
	Tol.	d	D	h	D1	Tol.	d1	Tol.		H1	Tol.	
RCAT-9X3571	140.00	+0.00 / -0.09				140.00	+0.00 / -0.09	145.08	+0.03 / -0.03	50.00	+0.08 / -0.08	O/R
RCAT-6E0499	150.00	+0.00 / -0.09				150.00	+0.00 / -0.09	150.63	+0.03 / -0.03	60.00	+0.08 / -0.08	O/R

## ROD APPLICATION

## CAT PARTS - CUSHION SEALS - METRIC

Ref. Number	Rod Diameter	Nominal Seal Dimensions			\$	
	Tol.	d	D	h		
RCAT-0855864	41.00		41.00	46.00	6.00	18.07
RCAT-6I6922	59.00		59.00	65.00	6.00	15.32
RCAT-6I6910	63.00		63.00	69.00	6.00	16.61
RCAT-6I6786	68.85		68.85	78.85	8.00	17.42
RCAT-6I6921	70.00		70.00	75.00	6.00	19.03
RCAT-7I1352	74.00		74.00	84.00	8.00	19.73
RCAT-6I6784	79.00		79.00	89.00	8.00	19.89
RCAT-6I6787	83.70		83.70	93.70	8.00	20.64
RCAT-7Y4665	88.85		88.85	98.85	8.00	21.39
RCAT-1076260	90.00		90.00	95.00	6.00	21.66
RCAT-6I6785	93.50		93.50	103.50	8.00	22.90
RCAT-0998282	95.00		95.00	100.00	6.00	26.74
RCAT-0875389	108.50		108.50	118.50	8.00	23.92
RCAT-6I6790	116.00		116.00	128.00	10.00	25.26
RCAT-1163519	125.50		125.50	137.50	10.00	26.66



CATERPILLAR

All manufacturer's names, part numbers and descriptions are used for reference purposes only. We do not imply that any part shown is the product of these manufacturers.

**Tel.: (604) 278-6808**  
**Fax: (604) 278-6180**

**KITS 277**

[www.sealonline.com](http://www.sealonline.com)

## CAT O-RING KITS

Ref. Number	Description	Application	\$
RCAT-4C4782	NITRILE O-RING KIT FOR USE WITH XT-3, O-RING FACE SEAL & O-RING BOSS CONNECTIONS  580 ROUND CROSS SECTION O-RINGS IN 32 DIFFERENT SIZES, NITRILE 90 DURO	SAE STOR FITTINGS, SAE ORFS FITTINGS, SAE CODE 61 FLANGES, SAE CODE 62 FLANGES	371.41
RCAT-4C4784	NITRILE D-RING KIT FOR USE WITH XT-5 & XT-6 FLANGE CONNECTIONS  80 RECTANGULAR CROSS SECTION D-RINGS IN 9 DIFFERENT SIZES, NITRILE 90 DURO	CAT FLANGES	210.06
RCAT-4C5859	NITRILE O-RING KIT FOR USE WITH FACE SEAL HOSE COUPLING & ADAPTER FITTINGS  120 ROUND CROSS SECTION O-RINGS IN 8 DIFFERENT SIZES, NITRILE 90 DURO	SAE ORFS FITTINGS	78.26
RCAT-4C8253	GENERAL PURPOSE SILICONE O-RING KIT FOR USE WITH HOSE COUPLINGS, ENGINES & TRANSMISSIONS  149 ROUND CROSS SECTION O-RINGS IN 32 DIFFERENT SIZES, SILICONE 70 DURO	LOW-PRESSURE, HIGH-TEMPERATURE	419.84
RCAT-9S3135	NITRILE O-RING KIT FOR USE WITH CODE 61 & XT-3 HOSE COUPLINGS & FLANGE FITTINGS  60 ROUND CROSS SECTION O-RINGS IN 6 DIFFERENT SIZES, NITRILE 90 DURO	SAE CODE 61 FLANGES, SAE CODE 62 FLANGES	85.95

All manufacturer's names, part numbers and descriptions are used for reference purposes only. We do not imply that any part shown is the product of these manufacturers.

## CAT HYDRAULIC HOSE COUPLING SEALS

### O-RING STYLE

Ref. Number	Nominal Hose Size	\$
RCAT-4J5140	0.500	0.86
RCAT-4J5267	0.750	1.02
RCAT-4J0520	1.000	1.24
RCAT-4J0522	1.250	1.29
RCAT-4J0524	1.500	1.29
RCAT-4J0527	2.000	1.72

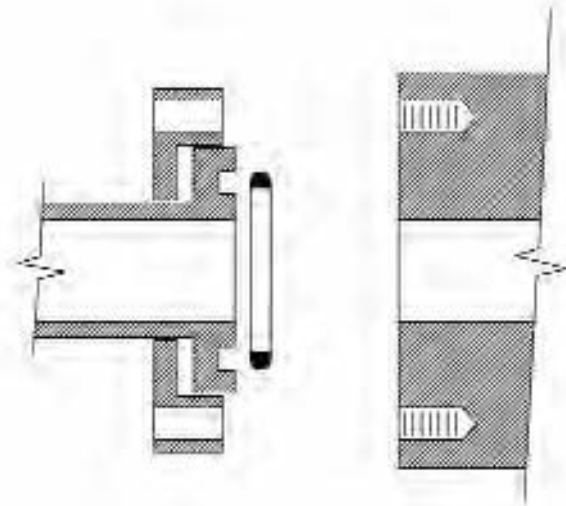
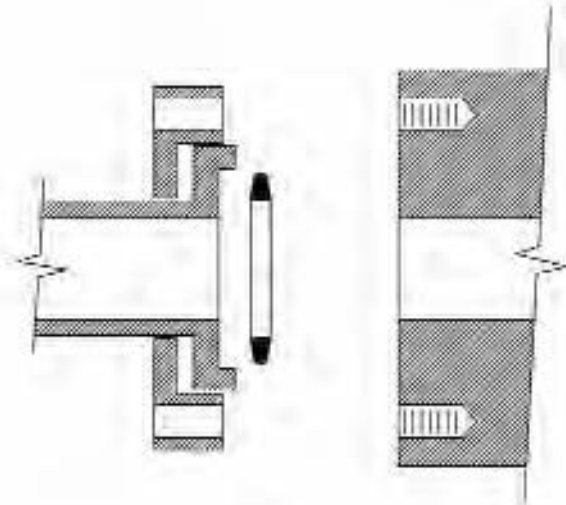
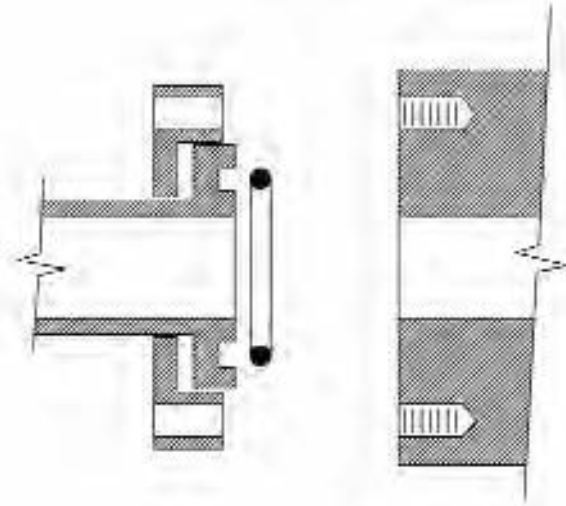
### METAL BACK SEALS

Ref. Number	Nominal Hose Size	\$
RCAT-5J1583 *	0.500	USE RCAT-1P3700
RCAT-1P3702 *	0.750	USE RCAT-1P3702
RCAT-6J3600 *	1.000	USE RCAT-1P3703
RCAT-6J3625 *	1.250	USE RCAT-1P3704
RCAT-6J3650 *	1.500	USE RCAT-1P3705
RCAT-1J3708 *	2.000	USE RCAT-1P3709

\* DISCONTINUED - REPLACED BY D-RING STYLE

### D-RING STYLE

Ref. Number	Nominal Hose Size	\$
RCAT-1P3700	0.500	1.34
RCAT-1P3702	0.750	1.51
RCAT-1P3703	1.000	1.77
RCAT-1P3704	1.250	1.94
RCAT-1P3705	1.500	2.10
RCAT-1P3706	MISC.	2.20
RCAT-1P3707	MISC.	2.26
RCAT-1P3708	MISC.	2.42
RCAT-1P3709	2.000	2.53



INDUSTRIAL  
SEAL KITS

MOBILE  
SEAL KITS



CATERPILLAR

All manufacturer's names, part numbers and descriptions are used for reference purposes only. We do not imply that any part shown is the product of these manufacturers.

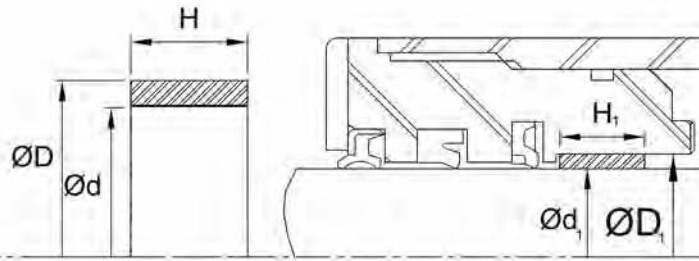
Tel.: (418) 688-3202  
Fax: (418) 688-4272

**KITS 279**

[www.sealsonline.com](http://www.sealsonline.com)

## CAT PARTS - METAL BEARINGS

### BEARING BR.PTFE/STEEL



Temperature: -328/536F [ -200/280C ]

Pressure: 44000 PSI [ 3035 Bar ]

Ref. Number	Rod - d		Groove Width - H		Groove Outside Dia - D		\$
	inch	metric	inch	metric	inch	metric	
RCAT-1140752	2.170	55.00	1.180	30.03	2.360	60.00	9.94
RCAT-1140751	2.360	60.00	1.590	40.30	2.560	65.00	15.00
RCAT-1140754	2.560	65.00	1.590	40.30	2.760	70.00	15.91
RCAT-1140753	2.760	70.00	1.590	40.30	2.950	75.00	15.00
RCAT-1140750	2.950	75.00	1.590	40.30	3.150	80.00	18.28
RCAT-1505839	3.150	80.00	1.180	30.00	3.350	85.00	19.46
RCAT-1140755	3.150	80.00	1.590	40.30	3.350	85.00	18.28
RCAT-0964402	3.350	85.00	1.180	30.00	3.540	90.00	21.93
RCAT-1140756	3.350	85.00	1.590	40.30	3.540	90.00	22.84
RCAT-1052575	3.540	90.00	1.180	30.00	3.740	95.00	20.96
RCAT-1652575	3.540	90.00	1.180	30.00	3.740	95.00	20.75
RCAT-1140758	3.540	90.00	1.590	40.30	3.740	95.00	26.55
RCAT-1211574	3.540	90.00	1.980	50.30	3.740	95.00	30.32
RCAT-0964430	3.740	95.00	1.180	30.00	3.940	100.00	23.38
RCAT-1289260	3.740	95.00	1.590	40.30	3.940	100.00	27.52
RCAT-0965625	3.940	100.00	1.380	35.00	4.150	105.50	32.30
RCAT-1140757	3.940	100.00	1.590	40.30	4.130	105.00	31.71
RCAT-0995572	4.130	105.00	1.380	35.00	4.330	110.00	27.68
RCAT-1140760	4.130	105.00	1.980	50.30	4.330	110.00	24.99
RCAT-1140762	4.330	110.00	1.980	50.30	4.530	115.00	25.05
RCAT-1140761	4.330	110.00	2.370	60.30	4.530	115.00	55.79
RCAT-1211599	5.000	127.00	2.370	60.30	5.200	132.02	0/R
RCAT-1140763	5.120	130.00	2.370	60.30	5.310	135.00	53.32
RCAT-1289261	5.510	140.00	2.180	55.30	5.710	145.00	66.97
RCAT-1211607	5.750	146.00	1.980	50.30	5.950	151.07	0/R
RCAT-1289262	5.910	150.00	2.370	60.30	6.100	155.00	67.46

All manufacturer's names, part numbers and descriptions are used for reference purposes only. We do not imply that any part shown is the product of these manufacturers.

INDUSTRIAL  
SEAL KITS

MOBILE  
SEAL KITS

CATERPILLAR

## OVERSIZE HEAD SEALS

Ref. Number	Bore	\$	Ref. Number	Bore	\$
RCAT-8C4889	2.500	28.66	RCAT-8T8378	6.250	41.36
RCAT-8C4890	2.750	27.92	RCAT-8T8379	6.500	37.69
RCAT-8T8367	3.000	34.46	RCAT-8T8380	7.000	34.41
RCAT-8C4891	3.250	35.91	RCAT-8T8381	7.250	52.43
RCAT-8T8368	3.500	38.81	RCAT-8C0553	7.500	50.72
RCAT-8T8369	3.750	31.98	RCAT-8C4892	7.750	41.13
RCAT-8T8370	4.000	40.15	RCAT-8T8382	8.250	36.95
RCAT-8T8371	4.250	40.97	RCAT-8C4893	8.500	53.28
RCAT-8T8372	4.500	41.93	RCAT-8T8383	9.250	47.93
RCAT-8T8373	4.750	36.46	RCAT-8C4895	10.000	72.35
RCAT-8T8374	5.000	43.39	RCAT-8C4896	10.250	75.25
RCAT-8T8375	5.250	37.44	RCAT-8C4897	10.500	50.55
RCAT-8T8376	5.500	44.88	RCAT-8C4898	11.500	76.20
RCAT-8T8377	6.000	32.45			

INDUSTRIAL  
SEAL KITS

MOBILE  
SEAL KITS



CATERPILLAR


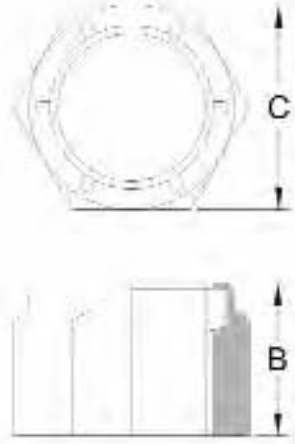
All manufacturer's names, part numbers and descriptions are used for reference purposes only. We do not imply that any part shown is the product of these manufacturers.

Tel.: (514) 334-2220  
Fax: (514) 333-8329

**KITS 281**

[www.sealsonline.com](http://www.sealsonline.com)

## CAT PARTS - LOCK NUTS - INCH

Ref. Number	Thread Size	Dimensions		\$	<b>LOCK NUTS</b> <b>1- Grade 8/ heat treated</b> <b>2- Black phosphate Finish</b> <b>3- Blue nylon locking insert</b>
		C	B		
RCAT-2J6384	1.250 - 12	2.00	1.11	31.98	 
RCAT-6M5032	1.375 - 12	2.19	1.19	32.25	
RCAT-2J3950	1.500 - 12	2.38	1.31	32.47	
RCAT-5J5731	1.750 - 12	2.56	1.47	40.47	
RCAT-2J3247	1.750 - 12	2.75	1.47	42.89	
RCAT-2J0564	2.000 - 12	3.13	1.67	48.32	
RCAT-3J9545	2.000 - 12	3.13	2.41	99.55	
RCAT-5J3488	2.250 - 12	3.50	1.94	99.55	
RCAT-3J6899	2.250 - 12	3.50	2.81	118.68	
RCAT-2J7686	2.500 - 12	4.00	2.19	133.84	
RCAT-3J9449	2.500 - 12	4.00	2.64	145.72	
RCAT-4J6888	2.750 - 12	4.00	2.19	137.65	
RCAT-4J8734	2.750 - 12	4.00	3.09	190.38	
RCAT-7J9250	3.250 - 12	4.50	3.13	297.29	
RCAT-9X6017	3.750 - 12	5.25	3.53	822.38	
RCAT-9X6018	4.000 - 12	5.56	3.73	893.16	
RCAT-3G5022	4.500 - 12	6.50	4.11	925.20	

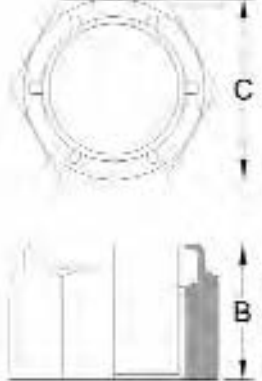
INDUSTRIAL SEAL KITS

MOBILE SEAL KITS

### NYLON INSERT LOCK NUTS

**1- Grade 8/ heat-treated**  
**2- Blue nylon locking insert**

**MATERIALS:**  
**X53 Medium carbon steel heat treated**  
**RC 26-30, Phos. and Oil**

## LOCK NUTS - METRIC CATERPILLAR REF.

Ref. Number	Thread Size	Dimensions		\$	Ref. Number	Thread Size	Dimensions		\$
		C	B				C	B	
RCAT-8T5065	M-30-3.5	1.811	1.150	38.22	RCAT-7Y4956	M-90-2	5.087	3.307	464.67
RCAT-8T3018	M-36-4	2.165	1.417	55.85	RCAT-1232112	M-90-2	5.087	2.992	516.05
RCAT-0875504	M-64-2	3.718	2.480	336.58	RCAT-0875385	M-95-2	5.281	3.464	598.40
RCAT-1475835	M-64-2	3.718	2.480	336.58	RCAT-1261971	M-100-2	5.735	3.465	1084.73
RCAT-7Y4622	M-72-2	4.125	2.755	410.97	RCAT-1163513	M-105-2	5.875	3.819	950.75
RCAT-1232060	M-80-2	4.500	2.520	323.63	RCAT-1163516	M-120-2	6.687	4.252	1145.41
RCAT-7Y4695	M-80-2	4.500	2.992	390.28					

All manufacturer's names, part numbers and descriptions are used for reference purposes only. We do not imply that any part shown is the product of these manufacturers.



CATERPILLAR

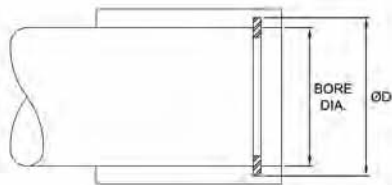
## INTERNAL

## CAT PARTS - RETAINING RINGS - INCH

### RETAINING RINGS

Carbon Steel

INTERNAL



Temperature: N/A

Pressure: N/A

Ref. Number	Bore dia.	\$	Ref. Number	Bore dia.	\$
RCAT-3D8358	0.437	0.43	RCAT-2D6648	2.312	1.94
RCAT-1S1638	0.500	0.43	RCAT-6L8797	2.440	2.42
RCAT-2R1256	0.562	0.48	RCAT-4D1736	2.500	2.58
RCAT-1H4142	0.687	0.48	RCAT-6K3531	2.750	3.17
RCAT-2M8191	0.750	0.48	RCAT-2H5549	2.812	3.76
RCAT-5S4455	0.812	0.48	RCAT-2R1236	3.000	4.03
RCAT-2L6726	0.875	0.48	RCAT-1K6985	3.156	5.91
RCAT-4L1466	0.901	0.48	RCAT-8J7636	3.250	6.18
RCAT-4D1322	1.000	0.54	RCAT-3D8341	3.500	6.34
RCAT-5S1522	1.125	0.54	RCAT-1J6472	3.543	6.45
RCAT-2D6398	1.250	0.59	RCAT-9M9935	3.875	7.04
RCAT-1L3768	1.375	0.65	RCAT-7M2275	4.000	7.79
RCAT-2H1142	1.437	0.70	RCAT-5L4751	4.331	9.03
RCAT-8N7294	1.500	0.70	RCAT-0673161	4.750	11.45
RCAT-3K9879	1.562	1.02	RCAT-2L0043	5.000	11.83
RCAT-2R1230	1.653	0.81	RCAT-5L4756	6.000	32.20
RCAT-2D5826	1.812	1.18	RCAT-1L7388	7.000	52.14
RCAT-1L8490	1.850	1.18	RCAT-7F6021	7.500	56.06
RCAT-6J7855	2.062	1.72			

All manufacturer's names, part numbers and descriptions are used for reference purposes only. We do not imply that any part shown is the product of these manufacturers.

INDUSTRIAL  
SEAL KITS

MOBILE  
SEAL KITS



CATERPILLAR



## CAT PARTS - RETAINING RINGS - INCH

## EXTERNAL

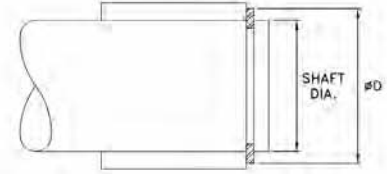
INDUSTRIAL  
SEAL KITS

MOBILE  
SEAL KITS

CATERPILLAR

### Retaining Rings Carbon Steel

### EXTERNAL



Temperature: N/A

Pressure: N/A

Ref. Number	Shaft Dia.	\$	Ref. Number	Shaft Dia.	\$
RCAT-6H5829	0.250	0.43	RCAT-2J7550	1.772	1.34
RCAT-9M7611	0.375	0.43	RCAT-5K9106	1.812	1.51
RCAT-4H0094	0.437	0.43	RCAT-1K6995	1.875	1.77
RCAT-6L3801	0.470	0.43	RCAT-0779687	1.969	2.37
RCAT-3D2975	0.562	0.48	RCAT-1K6984	2.125	3.66
RCAT-2L8509	0.594	0.48	RCAT-4K4284	2.156	4.03
RCAT-8F4610	0.625	0.48	RCAT-5K4627	2.500	4.30
RCAT-2J6356	0.750	0.48	RCAT-6S1753	2.559	4.41
RCAT-9F5444	0.812	0.48	RCAT-1K6992	2.625	4.57
RCAT-6H6109	0.937	0.54	RCAT-5J3864	2.750	4.73
RCAT-1L8497	0.984	0.81	RCAT-7J6580	2.937	5.11
RCAT-0015600	1.000	0.54	RCAT-1N8620	3.156	7.42
RCAT-3K8276	1.062	0.65	RCAT-9S4368	3.346	9.62
RCAT-5L4019	1.125	0.70	RCAT-5L4753	3.500	11.13
RCAT-4M5285	1.187	0.70	RCAT-7J6525	3.625	12.69
RCAT-2M4287	1.250	0.86	RCAT-8F1959	4.000	13.55
RCAT-4D8309	1.312	0.91	RCAT-1N5410	4.250	18.44
RCAT-1J6474	1.375	1.02	RCAT-5H5012	4.375	19.57
RCAT-2L6965	1.562	1.08	RCAT-2L0049	4.750	25.59
RCAT-9L2336	1.625	1.18	RCAT-5L8579	5.750	29.24
RCAT-5L2931	1.687	2.31	RCAT-2L0044	6.250	79.01

All manufacturer's names, part numbers and descriptions are used for reference purposes only. We do not imply that any part shown is the product of these manufacturers.

## KITS

## CHAMPION

Ref. Number	Desc.	Bore	Rod	\$	Ref. Number	Desc.	Bore	Rod	\$
RCHA-26408	SEAL KIT	3.000	1.375	44.00	RCHA-48953	SEAL KIT	4.000	2.000	28.60
RCHA-26409	SEAL KIT	4.000	2.000	63.47	RCHA-54436	SEAL KIT	5.000	2.000	74.36
RCHA-26410	SEAL KIT	5.000	2.000	85.84	RCHA-89132	SEAL KIT	3.000	1.375	37.68
RCHA-26900	SEAL KIT	4.500	1.750	93.15	RCHA-89134	SEAL KIT	4.000	2.000	57.96
RCHA-42975	SEAL KIT	3.000	1.375	23.29	RCHA-89135	SEAL KIT	4.000	2.500	70.19
RCHA-43182	SEAL KIT	4.000	2.000	51.02	RCHA-89137	SEAL KIT	5.000	2.000	91.98
RCHA-48870	SEAL KIT	3.000	1.375	32.58					

INDUSTRIAL  
SEAL KITS

MOBILE  
SEAL KITS

## KITS

## CHARLYNN

Ref. Number	Description	Model	\$
RCLY-6405	MOTOR SEAL KIT - SERIES 10000	119-XXXX-002;-003;-004 120-XXXX-002;-003;-004 NOTE: THE -002 AND -003 BEARINGLESS MOTORS USE 4 SEALS WHILE THE -004 MOTOR USES 3 SEALS. 121-XXXX-002;-003;-004 NOTE: THIS KIT IS NOT APPLICABLE TO 10000 SERIES	83.18
RCLY-6406	SHAFT SEAL KIT - SERIES 10000	TWO SPEED MOTORS. 119-XXXX-001;-002;-003;-004 120-XXXX-002;-003;-004 NOTE: APPLICABLE TO 10000 SERIES TWO SPEED MOTORS. 121-XXXX-001;-003;-004	89.55
RCLY-60023	SEAL KIT - NBR - SERIES H	101-XXXX-007	61.90
RCLY-60026	SEAL KIT - NBR - SERIES A	130-XXXX-001	63.81
RCLY-60036	SEAL KIT - NBR - SERIES S	103-XXXX-007	48.46
RCLY-60042	SEAL KIT - NBR - SERIES H	101-XXXX-005	64.16
RCLY-60042	SEAL KIT - NBR - SERIES S	103-XXXX-006	59.56
RCLY-60533	SEAL KIT - NBR - SERIES S	103-XXXX-008	73.25
RCLY-60539	SEAL KIT - NBR - SERIES S	103-XXXX-009;-010	73.25
RCLY-60540	SEAL KIT - NBR - SERIES A	130-XXXX-002;-003	
	SEAL KIT - NBR - SERIES H	101-XXXX-008;-009	
RCLY-61000	SEAL KIT - FPM - SERIES 3000	107-XXXX-004;-005	141.53
RCLY-61104	SHAFT SEAL KIT - SERIES 6000	112-XXXX-002;-003;-004 113-XXXX-002;-003;-004	124.90
RCLY-61105	REAR MOTOR KIT - SERIES 6000	112-XXXX-002;-003;-004 113-XXXX-002;-003;-004	45.68
RCLY-61234	REAR MOTOR KIT - SERIES 4000	109-XXXX-004 110-XXXX-004	42.48
RCLY-61236	SHAFT SEAL KIT - SERIES 4000	109-XXXX-004 110-XXXX-004	66.90

CHAMPION-CHARLYNN

All manufacturer's names, part numbers and descriptions are used for reference purposes only. We do not imply that any part shown is the product of these manufacturers.

**Tel.: (780) 414-1871**  
**Fax: (780) 487-5419**

**KITS 285**

[www.sealsonline.com](http://www.sealsonline.com)

## CHARLYNN

## KITS

Ref. Number	Description	Model	\$
RCLY-61237	SHAFT SEAL KIT - SERIES 6000	112-XXXX-005 113-XXXX-005	67.73
RCLY-61238	REAR MOTOR KIT - SERIES 6000	112-XXXX-005 113-XXXX-005	60.94
RCLY-61252	SEAL KIT - NBR - SERIES 2000	104-XXXX-003;-004;-005 105-XXXX-003;-004;-005	96.32
RCLY-61258	SEAL KIT - NBR - SERIES 2000	NOTE: NOT FOR 106- BEARINGLESS MOTORS 104-XXXX-006 105-XXXX-006	96.74
RCLY-61259	SEAL KIT - NBR - SERIES 2000	NOTE: NOT FOR 106- BEARINGLESS MOTORS 106-XXXX-006 NOTE: DOES NOT FIT 106-XXXX-003;-004;-005	46.96
RCLY-64417	STEERING UNIT W/ EXT. SHAFT		37.53
RCLY-64418	STEERING UNIT W/ INT. SHAFT		40.65
RCLY-64468	SEAL KIT - NBR - SERIE 25	251-XXXX-001 252-XXXX-001 253-XXXX-001	88.25

## CLARK LIFT TRUCK

## KITS

Ref. Number	Desc./Stage	Bore	Rod	\$	Ref. Number	Desc./Stage	Bore	Rod	\$
RCLA-1717156	2-1/8, 3-7/8, 4-3/4, 6-1/2"			217.24	RCLA-1811155	SEAL KIT	3.000	2.500	25.97
RCLA-1795529	SEAL KIT	4.000	1.500	60.54	RCLA-1811157	SEAL KIT	7.000	5.000	175.20
RCLA-1810820	O-RING KIT			10.58	RCLA-1811158	SEAL KIT	6.000	4.500	132.86
RCLA-1811046	SEAL KIT	3.000	1.250	24.22	RCLA-1811159	1-3/4, 3-1/8, 3-7/8, 5-1/4"			148.75
RCLA-1811107	SEAL KIT	2.250	2.000	26.27	RCLA-1811159/E	1.750/3.120/3.870/5.250			186.53
RCLA-1811108	SEAL KIT	2.500	2.250	20.32	RCLA-1811160	1-3/4, 2-5/8, 3-3/8, 4-1/2"			111.29
RCLA-1811120	1-3/4, 3-1/8, 3-7/8, 5-1/4"			147.07	RCLA-1811161	1-3/4, 3-1/8, 3-7/8, 5-1/4"			149.88
RCLA-1811122	2-1/8, 3-7/8, 4-3/4, 6-1/2"			197.43	RCLA-1811162	2-1/8, 3-1/8, 4-1/2"			159.44
RCLA-1811123	3-1/4, 4-1/4, 6-1/2"			218.99	RCLA-1811163	2-1/8, 3-1/8, 4-1/2"			160.81
RCLA-1811124	2-1/8, 3-1/8"			85.42	RCLA-1811164	1-3/4, 2-5/8, 3-3/8, 4-5/8"			99.41
RCLA-1811125	2-1/8, 3-1/8, 4-1/2"			156.38	RCLA-1811179	SEAL KIT	4.000	1.500	82.05
RCLA-1811126	2-3/4, 3-3/4, 5-3/4"			205.84	RCLA-1811180	SEAL KIT	4.000	1.250	75.23
RCLA-1811127	2-3/4, 3-3/4, 5-3/4"			210.60	RCLA-1811184	SEAL KIT	3.000	1.250	62.79
RCLA-1811129	SEAL KIT	4.000	2.500	42.62	RCLA-1811200	SEAL KIT	6.000	2.000	148.47
RCLA-1811130	1-3/4, 2-5/8, 3-3/4"			122.96	RCLA-1811204	SEAL KIT		1.250	81.41
RCLA-1811131	1-3/4, 3-1/8, 3-7/8, 5-1/4"			157.55	RCLA-1811206	SEAL KIT	1.625	0.750	37.51
RCLA-1811132	1-3/4, 2-5/8, 3-3/8, 4-1/2"			112.09	RCLA-1811207	SEAL KIT	2.000	1.000	54.40
RCLA-1811133	1-3/4, 2-5/8"			58.29	RCLA-1811209	SEAL KIT	2.250	1.000	61.33
RCLA-1811135	1.750,3.125,3.875,5.250			168.78	RCLA-1811210	SEAL KIT	2.750	1.250	75.97
RCLA-1811138	2-1/4, 3-1/4"			103.76	RCLA-1811212	SEAL KIT	3.250	1.250	79.11
RCLA-1811142	1-3/4, 2-5/8, 3-3/4"			200.63	RCLA-1811217	SEAL KIT	4.500	1.750	60.07
RCLA-1811148	2-1/8, 3-7/8, 4-3/4, 6-1/2"			207.08	RCLA-1811218	SEAL KIT	6.000	2.000	316.17
RCLA-1811149	SEAL KIT	4.750	3.500	94.98	RCLA-1811244	SEAL KIT	2.250	1.125	18.62
RCLA-1811154	SEAL KIT	3.250	2.500	27.52	RCLA-1811275	SEAL KIT	4.000	1.500	62.07

All manufacturer's names, part numbers and descriptions are used for reference purposes only. We do not imply that any part shown is the product of these manufacturers.

INDUSTRIAL SEAL KITS

MOBILE SEAL KITS

CHARLYNN-CLARK

## KITS

## CLARK LIFT TRUCK

Ref. Number	Desc./Stage	Bore	Rod	\$	Ref. Number	Desc./Stage	Bore	Rod	\$
RCLA-1811309	SEAL KIT	3.000	1.000	13.90	RCLA-1813084	SEAL KIT		50.00	23.25
RCLA-1811314	1-3/4, 3-1/8, 3-7/8, 5-1/4"			130.37	RCLA-1818864	SEAL KIT	2.000	0.750	19.27
RCLA-1811315	1-3/4, 3-1/8, 3-7/8, 5-1/4"			148.55	RCLA-1821328	SEAL KIT	2.000	0.875	13.54
RCLA-1811327	2-1/8, 3-7/8, 4-3/4, 6-1/2"			174.18	RCLA-1830350	SEAL KIT	2.250	2.000	28.41
RCLA-1811327E	SEAL KIT			274.52	RCLA-1830352	SEAL KIT	4.000	3.250	38.18
RCLA-1811369	SEAL KIT	73.00	60.00	65.59	RCLA-1830358	SEAL KIT	3.250	2.500	46.70
RCLA-1811376	SEAL KIT	4.000	40.00	49.13	RCLA-1830360	SEAL KIT	3.000	2.500	28.92
RCLA-1811392	SEAL KIT	3.000	1.750	63.90	RCLA-1830361	SEAL KIT	2.500	2.250	31.81
RCLA-1811393	SEAL KIT	4.000	40.00	54.33	RCLA-1830649	SEAL KIT	2.750	0.750	31.48
RCLA-1811415	SEAL KIT	78.00	60.00	68.04	RCLA-1831042	SEAL KIT			9.48
RCLA-1811537	SEAL KIT		60.00	68.37	RCLA-1831074	SEAL KIT	4.500	1.750	41.79
RCLA-1811538	SEAL KIT	56.00	40.00	58.04	RCLA-1831075	SEAL KIT		3.250	41.68
RCLA-1811542	SEAL KIT	3.000	1.375	31.76	RCLA-1831076	SEAL KIT	2.500	1.125	26.27
RCLA-1811544	SEAL KIT	2.000	1.000	49.43	RCLA-1991086	SEAL KIT	3.500	1.750	41.79
RCLA-1811569	SEAL KIT	3.375	2.000	48.19	RCLA-2367420	SEAL KIT	3.250	2.250	100.15
RCLA-1811582	SEAL KIT	3.500	1.250	29.32	RCLA-3009626	SEAL KIT	50.00	25.00	66.51
RCLA-1811691	SEAL KIT	2.450	2.000	30.26	RCLA-3986876	MOTOR KIT			24.88
RCLA-1811697	SEAL KIT	3.500	1.250	29.45	RCLA-841270	SEAL KIT	3.750	2.000	34.14
RCLA-1811719	SEAL KIT	3.500	40.00	35.03	RCLA-886547	SEAL KIT	2.000	1.000	42.83
RCLA-1811759	SEAL KIT	3.000	1.250	29.78	RCLA-888348	PUMP KIT			16.05
RCLA-1811785	SEAL KIT	3.500	40.00	40.98	RCLA-896505	MOTOR KIT			6.98
RCLA-1811799	SEAL KIT	3.375	2.000	74.13	RCLA-905074	MOTOR KIT			15.43
RCLA-1811852	SEAL KIT	3.500	3.000	60.49	RCLA-907984	VALVE KIT			17.45
RCLA-1811855	SEAL KIT	72.00	60.00	41.43	RCLA-908985	VALVE KIT			16.67
RCLA-1811972	SEAL KIT	3.000	1.250	38.53	RCLA-912339	SEAL KIT	3.000	2.500	35.76
RCLA-1813014	SEAL KIT	2.500	2.000	35.36	RCLA-914698	SEAL KIT	2.500	1.000	26.48
RCLA-1813015	SEAL KIT		2.625	67.64	RCLA-916351	SEAL KIT	4.750	4.000	534.65
RCLA-1813016	SEAL KIT	3.500	3.000	53.60	RCLA-917282	O-RING KIT			7.66
RCLA-1813017	SEAL KIT	72.00	60.00	41.43	RCLA-917713	SEAL KIT	2.000		21.44
RCLA-1813023	SEAL KIT	2.187	40.00	40.56	RCLA-921115A	VALVE KIT			10.14
RCLA-1813024	SEAL KIT		40.00	20.24	RCLA-990076	VALVE KIT			4.28
RCLA-1813032	SEAL KIT	3.375	50.00	64.74	RCLA-990208	SWIVEL KIT			6.83
RCLA-1813055	SEAL KIT	3.125	50.00	72.21	RCLA-990209	SWIVEL KIT			9.74
RCLA-1813075	SEAL KIT	3.500	40.00	40.09	RCLA-992511	O-RING KIT			7.01
RCLA-1813076	SEAL KIT	4.000	40.00	42.83	RCLA-995815	SWIVEL KIT			10.23
RCLA-1813082	SEAL KIT	86.00	50.00	59.26	RCLA-999820	SEAL KIT	1.750	0.750	33.65

INDUSTRIAL SEAL KITS

MOBILE SEAL KITS

CLARK

All manufacturer's names, part numbers and descriptions are used for reference purposes only. We do not imply that any part shown is the product of these manufacturers.

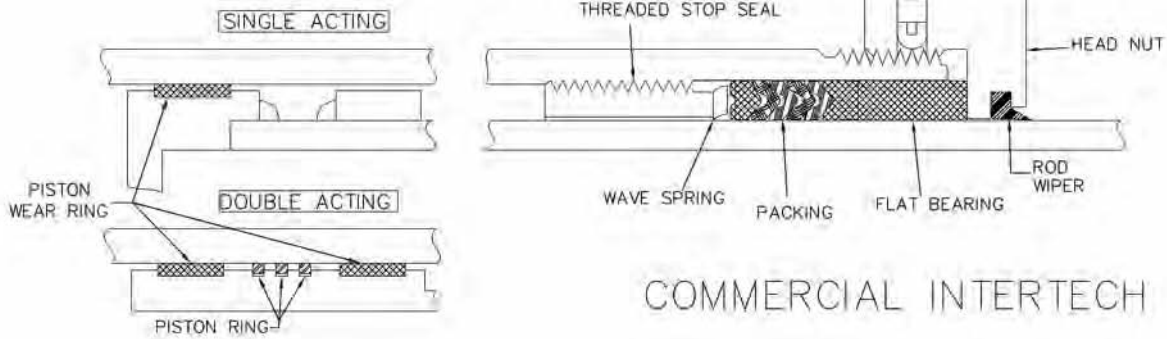
**Tel.: (403) 279-1871**  
**Fax: (403) 279-1821**

**KITS 287**

**www.sealonline.com**

## COMMERCIAL INTERTECH

## TELESCOPIC CYLINDERS



STAGE O.D.'S: 2.750, 3.750, 4.750, 5.750, 6.750, 7.905, 9.375"  
 IDENTIFICATION: CYLINDER MODEL NUMBER AND SERIAL NUMBER STAMPED ON METAL TAG APPLIED TO CYLINDER BODY  
 ROD WIPERS: POLYURETHANE - SNAP IN TYPE (1)  
 BEARINGS: NYLON FLAT (1)  
 PACKING: VEE PACKING - ALL SECTIONS - 0.312"  
 PISTON: SINGLE ACTING - NYLON WEAR RING (1)  
 DOUBLE ACTING - NYLON WEAR RINGS (2) & C.I. PISTON RINGS (3)  
 SPECIAL INFORMATION: THREADED INTERNAL STOP RING  
 WAVE SPRING UNDER PACKING

### V.set & Wiper

Ref. Number	Desc.	\$
RCI-02750VW	02.750" STAGE - V.SET & WIPER	19.82
RCI-03750VW	03.750" STAGE - V.SET & WIPER	25.26
RCI-04750VW	04.750" STAGE - V.SET & WIPER	31.61
RCI-05750VW	05.750" STAGE - V.SET & WIPER	40.24
RCI-06750VW	06.750" STAGE - V.SET & WIPER	58.45
RCI-07905VW	07.905" STAGE - V.SET & WIPER	62.18
RCI-09375VW	09.375" STAGE - V.SET & WIPER	128.35

### Gland Bearing

Ref. Number	Desc.	\$
RCI-02750BRF	02.750" STAGE - GLAND BRG.	16.95
RCI-03750BRF	03.750" STAGE - GLAND BRG.	17.01
RCI-04750BRF	04.750" STAGE - GLAND BRG.	26.09
RCI-05750BRF	05.750" STAGE - GLAND BRG.	29.97
RCI-06750BRF	06.750" STAGE - GLAND BRG.	32.26
RCI-07905BRF	07.905" STAGE - GLAND BRG.	48.63
RCI-09375BRF	09.375" STAGE - GLAND BRG.	103.12

### Piston Bearing - Nylon

Ref. Number	Desc.	\$
RCI-U3023/32	02.750" STAGE - PISTON BRG.	4.61
RCI-U3023/42	03.750" STAGE - PISTON BRG.	6.88
RCI-U3023/52	04.750" STAGE - PISTON BRG.	6.97
RCI-U3023/62	05.750" STAGE - PISTON BRG.	7.87
RCI-U3023/72	06.750" STAGE - PISTON BRG.	9.01
RCI-U3023/84	07.905" STAGE - PISTON BRG.	10.67
RCI-U3023/98	09.375" STAGE - PISTON BRG.	21.64

### Piston Ring - Cast Iron

Ref. Number	Desc.	\$
RCI-X78/4/25	03.750" STAGE - PISTON RING	13.55
RCI-X78/5/25	04.750" STAGE - PISTON RING	17.84
RCI-X78/6/25	05.750" STAGE - PISTON RING	21.05
RCI-X78/7/25	06.750" STAGE - PISTON RING	29.46
RCI-X78/8/437	07.905" STAGE - PISTON RING	40.92
RCI-X78/9/88	09.375" STAGE - PISTON RING	56.64

### Wave Spring

Ref. Number	Desc.	\$	Ref. Number	Desc.	\$
RCI-P1327/27	02.750" STAGE - WAVE SPRING	0/R	RCI-P1327/67	06.750" STAGE - WAVE SPRING	0/R
RCI-P1327/37	03.750" STAGE - WAVE SPRING	0/R	RCI-P1327/79	07.905" STAGE - WAVE SPRING	0/R
RCI-P1327/47	04.750" STAGE - WAVE SPRING	0/R	RCI-P1327/93	09.375" STAGE - WAVE SPRING	0/R
RCI-P1327/57	05.750" STAGE - WAVE SPRING	0/R			

All manufacturer's names, part numbers and descriptions are used for reference purposes only. We do not imply that any part shown is the product of these manufacturers.

INDUSTRIAL SEAL KITS

MOBILE SEAL KITS

COMMERCIAL

## MOTORS

## COMMERCIAL INTERTECH

### Shaft Seals - Motors (PTFE Lip)

Ref. Number	Model	Desc.	\$
RCI-391/2883/094	25X, 37X, 50	X73/50/1 - MOTOR S.SEAL	25.17
RCI-391/2883/096	25X	X73/50/3 - MOTOR S.SEAL	24.87
RCI-391/2883/115	P50	X73/50/8 - MOTOR S.SEAL	24.61
RCI-391/2883/119	P30	X73/50/9 - MOTOR S.SEAL	23.98
RCI-391/2883/126	P30(CONTINENTAL)	X73/50/11 - MOTOR S.SEAL	23.68

INDUSTRIAL SEAL KITS

## PUMPS

## COMMERCIAL INTERTECH

### Gaskets

### Pocket Seals

Ref. Number	Model	Desc.	\$
RCI-UB3006/239	P15H	GASKET	0.62
RCI-UB3006/242	P30, P31	GASKET	0.67
RCI-UB3006/244	P25, X1, X11, X111	GASKET	0.77
RCI-UB3006/249	P37, X1	GASKET	0.97
RCI-UB3006/252	P75, P76	GASKET	1.13

Ref. Number	Model	Desc.	\$
RCI-K3026/19	P37, X1, X11	POCKET SEAL	1.13
RCI-K3026/22	P15H	POCKET SEAL	0.97
RCI-BA3026/2	P25, X1, X11, X111, P30, P31, P50, P51	POCKET SEAL	0.81
RCI-BA3026/6	P75, P76	POCKET SEAL	0.93

MOBILE SEAL KITS

## O-RINGS

## Shaft Seals - Pumps

Ref. Number	Model	Desc.	\$
RCI-L3006/4	P37, X11	O-RING	0.51
RCI-L3006/7	P15H	O-RING	0.20
RCI-L3006/26	P21, X1	O-RING	0.42
RCI-L3006/33	P37, X1	O-RING	0.46
RCI-L3006/47	P25, X111	O-RING	0.46
RCI-L3006/109	P21, X11	O-RING	0.30
RCI-L3006/164	P75, P76	O-RING	0.46

Ref. Number	Model	Desc.	\$
RCI-391/2883/043	25X, 37X, P50	X73/37/1 - PUMP S.SEAL	13.70
RCI-391/2883/048	15H	X73/37/6 - PUMP S.SEAL	3.51
RCI-391/2883/052	P25X, P37X, P75	X73/37/10 - PUMP S.SEAL	5.45
RCI-391/2883/055	P25X	X73/37/13 - PUMP S.SEAL	5.45
RCI-391/2883/057	25X, P50	X73/37/15 - PUMP S.SEAL	4.36
RCI-391/2883/058	P30	X73/37/16 - PUMP S.SEAL	3.44
RCI-391/2883/103	P50	X73/37/17 - PUMP S.SEAL	4.94
RCI-391/2883/104		PUMP SHAFT SEAL	0/R
RCI-391/2883/106	S150	X73/37/20 - PUMP S.SEAL	0/R
RCI-391/2883/107	P30, P50, P75	X73/37/18 - PUMP S.SEAL	19.04
RCI-391/2883/133		PUMP SHAFT SEAL	0/R
RCI-391/2883/151	2.750"	PUMP SHAFT SEAL	0/R

COMMERCIAL

All manufacturer's names, part numbers and descriptions are used for reference purposes only. We do not imply that any part shown is the product of these manufacturers.

**Tel.: (604) 278-6808**  
**Fax: (604) 278-6180**

**KITS 289**

[www.sealsonline.com](http://www.sealsonline.com)

## KITS

## COMMERCIAL INTERTECH

Ref. Number	Desc.	\$	Ref. Number	Desc.	\$
RCI-35	2.750" - 4.750" VEE SETS & WIPERS	80.90	RCI-NPB47	3.750" - 6.750" PISTON BEARINGS (1ea.)	30.74
RCI-36	2.750" - 5.750" VEE SETS & WIPERS	123.24	RCI-NPB48	3.750" - 7.905" PISTON BEARINGS (2ea.)	82.62
RCI-38	2.750" - 7.905" VEE SETS & WIPERS	250.60	RCI-NPB57	4.375" - 6.750" PISTON BEARINGS (1ea.)	23.84
RCI-46	3.750" - 5.750" VEE SETS & WIPERS	102.42	RCI-NPB58	4.750" - 7.905" PISTON BEARINGS	68.86
RCI-47	3.750" - 6.750" VEE SETS & WIPERS	164.12	RCI-NYB35	2.750" - 4.750" GLAND BEARINGS	63.30
RCI-48	3.750" - 7.905" VEE SETS & WIPERS	229.69	RCI-NYB36	2.750" - 5.750" GLAND BEARINGS	94.92
RCI-49	3.750" - 9.375" VEE SETS & WIPERS	365.13	RCI-NYB47	3.750" - 6.750" GLAND BEARINGS	111.06
RCI-56	4.750" - 5.750" VEE SETS & WIPERS	75.81	RCI-NYB48	3.750" - 7.905" GLAND BEARINGS	162.35
RCI-57	4.750" - 6.750" VEE SETS & WIPERS	137.50	RCI-NYB57	4.750" - 6.750" GLAND BEARINGS	93.16
RCI-58	4.750" - 7.905" VEE SETS & WIPERS	203.07	RCI-NYB58	4.750" - 7.905" GLAND BEARINGS	144.48
RCI-69	5.750" - 9.375" VEE SETS & WIPERS	259.16	RCI-NYB69	5.750" - 9.375" GLAND BEARINGS	172.63
RCI-NPB35	2.750" - 4.750" PISTON BEARINGS (1ea.)	18.44	RCI-PR48	3.750" - 7.905" PISTON RINGS	315.69
RCI-NPB36	2.750" - 5.750" PISTON BEARINGS (2ea.)	52.22	RCI-PR58	4.750" - 7.905" PISTON RINGS	276.11
RCI-NPB46	3.750" - 5.375" PISTON BEARINGS (2ea.)	43.42			

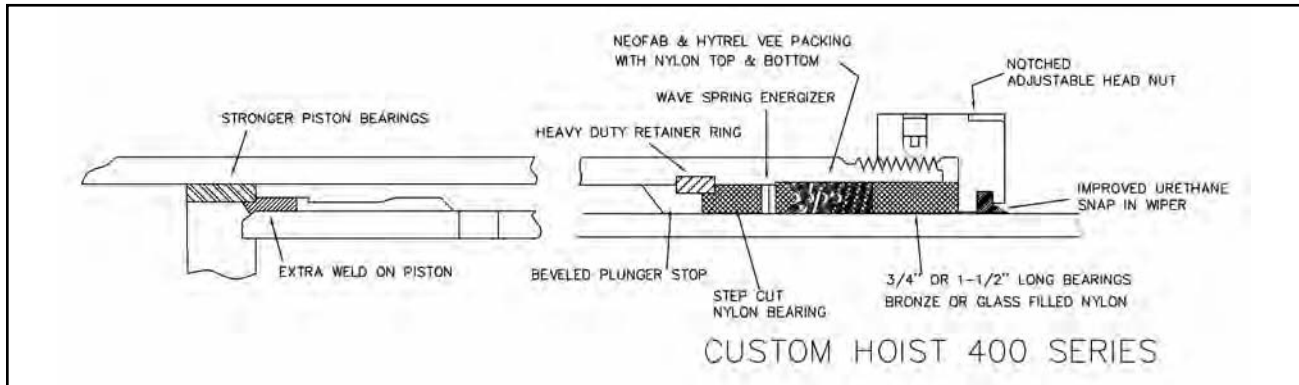
## CROSS

## KITS

Ref. Number	Desc.	Bore	Rod	\$	Ref. Number	Desc.	Bore	Rod	\$
RCROS-1C1480	SEAL KIT	2.000	1.062	29.69	RCROS-1C4750	SEAL KIT	2.000	1.000	11.80
RCROS-1C4147	SEAL KIT	3.000	1.125	13.40	RCROS-1C4759	SEAL KIT	2.500	1.250	12.14
RCROS-1C4244	SEAL KIT	2.000	1.062	16.87	RCROS-1C4765	SEAL KIT	3.000	1.250	12.25
RCROS-1C4429	SEAL KIT	3.500	1.250	15.18	RCROS-1C4785	SEAL KIT	4.000	1.500	16.68
RCROS-1C4430	SEAL KIT	4.000	1.250	15.88	RCROS-1C4786/A	SEAL KIT	4.000	2.000	14.37
RCROS-1C4433	SEAL KIT	2.500	1.062	17.58	RCROS-1C4796	SEAL KIT	5.000	2.500	22.31
RCROS-1C4629	SEAL KIT	3.000	1.250	11.54	RCROS-1C9964	SEAL KIT	4.000	2.000	58.69
RCROS-1C4630	SEAL KIT	3.000	1.500	11.80	RCROS-2C1955	SEAL KIT	4.000	1.500	58.39
RCROS-1C4631	SEAL KIT	3.500	1.500	15.57	RCROS-2C2842	SEAL KIT	3.000	1.250	17.44
RCROS-1C4637	SEAL KIT	4.000	1.500	22.31	RCROS-2C5395	SEAL KIT	6.000	3.500	95.59
RCROS-1C4638	SEAL KIT	4.000	2.000	15.68	RCROS-3C2597	SEAL KIT	3.000	1.400	37.01
RCROS-1C4642	SEAL KIT	1.500	0.750	19.72	RCROS-3C7684	SEAL KIT	4.000	1.750	24.62

All manufacturer's names, part numbers and descriptions are used for reference purposes only. We do not imply that any part shown is the product of these manufacturers.

## CUSTOM HOIST 400 SERIES - SINGLE ACTING



STAGE O.D.'S: 3, 4, 5, 6, 7, 8, 8.250, 9.125, 9.750"  
 IDENTIFICATION: PART NUMBER AND SERIAL NUMBER STAMPED IN BODY NEAR OIL PORT NEAR BASE OF CYLINDER.

ROD WIPERS: AN IMPROVED DUAL-LIP SNAP IN WIPER TO MINIMIZE CONTAMINATION ENTRY.  
 BEARINGS: TOP AND BOTTOM MINERAL FILLED NYLON BEARING.  
 PACKING: VEE PACKING WITH NYLON TOP AND BOTTOM ADAPTERS.  
 PISTON WEAR RING: WEAR RING WITH INCREASED CROSS-SECTION FOR ADDED STRENGTH.  
 PLUNGER STOP: BEVELED PLUNGER STOP FOR PLUNGER CENTERING.  
 RETAINER RING: HEAVY DUTY FOR IMPROVED STRENGTH  
 WAVE SPRING: TO APPLY A CONTINUOUS FORCE ON THE PACKING.  
 SPECIAL INFORMATION: USES 2 SPIRAL RETAINER RINGS WITH A METAL SPACER IN BETWEEN.

### V.Sets & Wipers

Ref. Number	Desc.	\$
RCH-400/03000VW	03.000" STAGE - V.SET & WIPER	16.37
RCH-400/04000VW	04.000" STAGE - V.SET & WIPER	23.24
RCH-400/05000VW	05.000" STAGE - V.SET & WIPER	27.99
RCH-400/06000VW	06.000" STAGE - V.SET & WIPER	34.71
RCH-400/07000VW	07.000" STAGE - V.SET & WIPER	41.42
RCH-400/08000VW	08.000" STAGE - V.SET & WIPER	50.50
RCH-400/08250VW	08.250" STAGE - V.SET & WIPER	115.39
RCH-400/09125VW	09.125" STAGE - V.SET & WIPER	143.58

### Bearings - Bottom

Ref. Number	Desc.	\$
RCH-1BU195/3	03.000" STAGE - BOTTOM BRG.	13.28
RCH-1BU195/4	04.000" STAGE - BOTTOM BRG.	13.64
RCH-1BU195/5	05.000" STAGE - BOTTOM BRG.	14.82
RCH-1BU195/6	06.000" STAGE - BOTTOM BRG.	15.95
RCH-1BU195/7	07.000" STAGE - BOTTOM BRG.	18.10
RCH-1BU195/8	08.000" STAGE - BOTTOM BRG.	21.20
RCH-1BU195/825	08.250" STAGE - BOTTOM BRG.	49.55
RCH-1BU195/912	09.125" STAGE - BOTTOM BRG.	32.32

### Bearings - Top

Ref. Number	Desc.	\$
RCH-1BU11/3	03.000" STAGE - TOP BRG.	10.81
RCH-1BU11/4	04.000" STAGE - TOP BRG.	10.81
RCH-1BU11/5	05.000" STAGE - TOP BRG.	11.38
RCH-1BU11/6	06.000" STAGE - TOP BRG.	13.45
RCH-1BU11/7	07.000" STAGE - TOP BRG.	14.65
RCH-1BU11/8	08.000" STAGE - TOP BRG.	17.74
RCH-1BU11/825	08.250" STAGE - TOP BRG.	33.61
RCH-1BU11/912	09.125" STAGE - TOP BRG.	41.33

### Wave Springs

Ref. Number	Desc.	\$
RCH-1WA11/3	03.000" STAGE - W.SPRING	16.47
RCH-1WA11/4	04.000" STAGE - W.SPRING	17.84
RCH-1WA11/5	05.000" STAGE - W.SPRING	19.82
RCH-1WA11/6	06.000" STAGE - W.SPRING	23.38
RCH-1WA11/7	07.000" STAGE - W.SPRING	37.92
RCH-1WA11/8	08.000" STAGE - W.SPRING	40.73
RCH-1WA11/825	08.250" STAGE - W.SPRING	43.03
RCH-1WA11/912	09.125" STAGE - W.SPRING	46.00

All manufacturer's names, part numbers and descriptions are used for reference purposes only. We do not imply that any part shown is the product of these manufacturers.

Tel.: (418) 688-3202  
 Fax: (418) 688-4272

**KITS 291**

[www.sealsonline.com](http://www.sealsonline.com)

INDUSTRIAL  
SEAL KITS

MOBILE  
SEAL KITS

CUSTOM HOIST



## CUSTOM HOIST

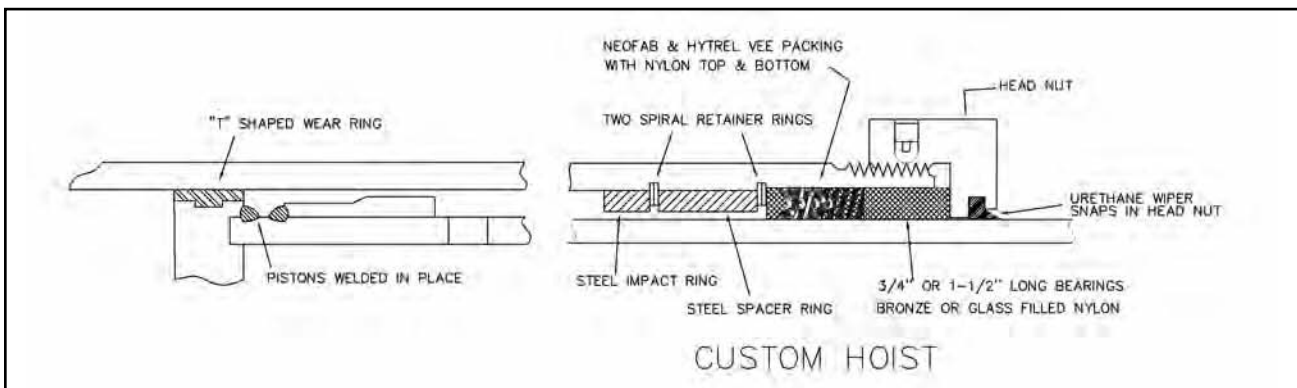
### Piston Wear Ring

Ref. Number	Desc.	\$
RCH-2WG1/3	03.000" STAGE - PISTON W.R.	4.83
RCH-2WG1/4	04.000" STAGE - PISTON W.R.	5.20
RCH-2WG1/5	05.000" STAGE - PISTON W.R.	5.28
RCH-2WG1/6	06.000" STAGE - PISTON W.R.	6.10
RCH-2WG1/7	07.000" STAGE - PISTON W.R.	7.13
RCH-2WG1/8	08.000" STAGE - PISTON W.R.	8.50
RCH-2WG1/912	09.125" STAGE - PISTON W.R.	20.95

### Wipers

Ref. Number	Desc.	\$
RCH-1WR1/3	03.000" STAGE - WIPER	4.47
RCH-1WR1/4	04.000" STAGE - WIPER	5.34
RCH-1WR1/5	05.000" STAGE - WIPER	6.41
RCH-1WR1/6	06.000" STAGE - WIPER	7.57
RCH-1WR1/7	07.000" STAGE - WIPER	9.36
RCH-1WR1/8	08.000" STAGE - WIPER	11.05
RCH-1WR1/825	08.250" STAGE - WIPER	15.70
RCH-1WR1/912	09.125" STAGE - WIPER	22.74

## TELESCOPICS



STAGE O.D.'S: 3, 4, 5, 6, 7, 8, 8.250, 9.125, 9.750"  
 IDENTIFICATION: PART NUMBER AND SERIAL NUMBER STAMPED IN BODY NEAR OIL PORT NEAR BASE OF CYLINDER.

ROD WIPERS: SNAP IN  
 BEARINGS: ONE BRONZE OR MINERAL FILLED NYLON BEARING ABOVE THE PACKING.  
 PACKING: VEE PACKING WITH NYLON TOP AND BOTTOM ADAPTOR 4" THRU 8"  
 ALL SECTIONS - 0.250"

PISTON: STEEL PISTONS WELDED TO STAGE. REPLACABLE "T" SHAPED NYLON WEAR RINGS. DOUBLE ACTION USES 2 CAST IRON PISTON RINGS IN SEPARATE GROOVES.

SPECIAL INFORMATION: USES 2 SPIRAL RETAINER RINGS WITH A METAL SPACER IN BETWEEN.

### Packings & Wipers

Ref. Number	Desc.	\$
RCH-03000VW	03.000" STAGE - V.SET & WIPER	14.99
RCH-04000VW	04.000" STAGE - V.SET & WIPER	16.66
RCH-05000VW	05.000" STAGE - V.SET & WIPER	23.57
RCH-06000VW	06.000" STAGE - V.SET & WIPER	28.74
RCH-07000VW	07.000" STAGE - V.SET & WIPER	33.57
RCH-08000VW	08.000" STAGE - V.SET & WIPER	37.83
RCH-08250VW	08.250" STAGE - V.SET & WIPER	40.78
RCH-09125VW	09.125" STAGE - V.SET & WIPER	124.93
RCH-09750VW	09.750" STAGE - V.SET & WIPER	136.22

### Top Bearing

Ref. Number	Desc.	\$
RCH-1BU11/3	03.000" STAGE - TOP BRG.	10.81
RCH-1BU11/4	04.000" STAGE - TOP BRG.	10.81
RCH-1BU11/5	05.000" STAGE - TOP BRG.	11.38
RCH-1BU11/6	06.000" STAGE - TOP BRG.	13.45
RCH-1BU11/7	07.000" STAGE - TOP BRG.	14.65
RCH-1BU11/8	08.000" STAGE - TOP BRG.	17.74
RCH-1BU11/825	08.250" STAGE - TOP BRG.	33.61
RCH-1BU11/912	09.125" STAGE - TOP BRG.	41.33

All manufacturer's names, part numbers and descriptions are used for reference purposes only. We do not imply that any part shown is the product of these manufacturers.

## CUSTOM HOIST

### Retainer Rings

Ref. Number	Desc.	\$
RCH-1RR1/35	03.000" STAGE - R.RING	4.43
RCH-1RR1/45	04.000" STAGE - R.RING	10.53
RCH-1RR1/55	05.000" STAGE - R.RING	10.76
RCH-1RR1/65	06.000" STAGE - R.RING	0/R
RCH-1RR1/75	07.000" STAGE - R.RING	8.35
RCH-1RR1/85	08.000" STAGE - R.RING	11.03
RCH-1RR1/9	08.250" STAGE - R.RING	13.70
RCH-1RR1/975	09.125" STAGE - R.RING	56.64
RCH-1RR1/105	09.750" STAGE - R.RING	86.39

### Piston Wear Rings\*

Ref. Number	Desc.	\$
RCH-2GR6/3	03.000" STAGE - PISTON W.R.	7.32
RCH-2GR6/4	04.000" STAGE - PISTON W.R.	7.89
RCH-2GR6/5	05.000" STAGE - PISTON W.R.	10.07
RCH-2GR6/6	06.000" STAGE - PISTON W.R.	12.51
RCH-2GR6/7	07.000" STAGE - PISTON W.R.	13.59
RCH-2GR6/8	08.000" STAGE - PISTON W.R.	22.42
RCH-2GR6/825	08.250" STAGE - PISTON W.R.	32.03
RCH-2GR6/912	09.125" STAGE - PISTON W.R.	32.03
RCH-2GR6/975	09.750" STAGE - PISTON W.R.	33.62

\* "T" Shaped wear rings required for single acting cylinders with s/n below 35000 and double acting cylinders with s/n below 216100.

### Piston Wear Rings\*

Ref. Number	Desc.	\$
RCH-2WG1/3	03.000" STAGE - PISTON W.R.	4.83
RCH-2WG1/4	04.000" STAGE - PISTON W.R.	5.20
RCH-2WG1/5	05.000" STAGE - PISTON W.R.	5.28
RCH-2WG1/6	06.000" STAGE - PISTON W.R.	6.10
RCH-2WG1/7	07.000" STAGE - PISTON W.R.	7.13
RCH-2WG1/8	08.000" STAGE - PISTON W.R.	8.50
RCH-2WG1/912	09.125" STAGE - PISTON W.R.	20.95
RCH-2WG1/975	09.750" STAGE - PISTON W.R.	42.68

### Piston Rings (Double Acting)

Ref. Number	Desc.	\$
RCH-2PR3/35	03.000" STAGE - PISTON RING	11.71
RCH-2PR3/45	04.000" STAGE - PISTON RING	14.67
RCH-2PR3/55	05.000" STAGE - PISTON RING	18.82
RCH-2PR3/65	06.000" STAGE - PISTON RING	28.50
RCH-2PR3/75	07.000" STAGE - PISTON RING	30.50
RCH-2PR3/85	08.000" STAGE - PISTON RING	28.61
RCH-2PR3/97	09.125" STAGE - PISTON RING	38.56
RCH-2PR3/105	09.750" STAGE - PISTON RING	79.37

\* Rectangular wear rings required for single acting cylinders with s/n 350000 & up and double acting cylinders with s/n 216000 and up.

## CUSTOM HOIST 700 SERIES

### Bearings - Nylon

Ref. Number	Desc.	\$
RCH-1BU11/3187	03.187" STAGE - BEARING	15.95
RCH-1BU11/4125	04.125" STAGE - BEARING	16.48
RCH-1BU11/5062	05.062" STAGE - BEARING	16.57
RCH-1BU11/6000	06.000" STAGE - BEARING	12.76

### Packing Kits

Ref. Number	Desc.	\$
RCH-700S/3187PK	03.187" STAGE - PACKING KIT	18.16
RCH-700S/4125PK	04.125" STAGE - PACKING KIT	21.11
RCH-700S/5062PK	05.062" STAGE - PACKING KIT	26.19
RCH-700S/6000PK	06.000" STAGE - PACKING KIT	22.18

### Wipers

Ref. Number	Desc.	\$
RCH-1WR1/3187	03.187" STAGE - WIPER	5.33
RCH-1WR1/4125	04.125" STAGE - WIPER	6.93
RCH-1WR1/5062	05.062" STAGE - WIPER	7.12
RCH-1WR1/6000	06.000" STAGE - WIPER	7.18

### Piston Wear Rings

Ref. Number	Desc.	\$
RCH-2WG3/3187	03.187" STAGE - PISTON W.R.	4.63
RCH-2WG3/4125	04.125" STAGE - PISTON W.R.	5.82
RCH-2WG3/5062	05.062" STAGE - PISTON W.R.	6.86
RCH-2WG3/6000	06.000" STAGE - PISTON W.R.	6.76

All manufacturer's names, part numbers and descriptions are used for reference purposes only. We do not imply that any part shown is the product of these manufacturers.

Tel.: (514) 334-2220  
Fax: (514) 333-8329

**KITS 293**

[www.sealonline.com](http://www.sealonline.com)

INDUSTRIAL  
SEAL KITS

MOBILE  
SEAL KITS

CUSTOM-HOIST

## DEMAG

## KITS

Ref. Number	Desc.	Bore	Rod	\$	Ref. Number	Desc.	Bore	Rod	\$
RDEM-691718	SEAL KIT	300.00		760.06	RDEM-694736	SEAL KIT		125.00	133.13
RDEM-691776	SEAL KIT	320.00		1033.54	RDEM-696426	SEAL KIT	225.00		361.40
RDEM-691777	SEAL KIT	300.00		757.28	RDEM-696430	SEAL KIT		190.00	321.02
RDEM-691779	SEAL KIT	300.00		688.50	RDEM-971771	SEAL KIT	320.00		1065.87
RDEM-692135	SEAL KIT	225.00		263.65	RDEM-988100	SEAL KIT	200.00		410.74
RDEM-692136	SEAL KIT		140.00	89.71	RDEM-988121	SEAL KIT		125.00	180.03
RDEM-692163	SEAL KIT	140.00		294.12	RDEM-988271	SEAL KIT		160.00	248.35
RDEM-692164	SEAL KIT		100.00	125.56	RDEM-997553	SEAL KIT		200.00	947.27
RDEM-692418	SEAL KIT	300.00		835.75	RDEM-997557	SEAL KIT		170.00	488.11
RDEM-693617	SEAL KIT	200.00		433.16	RDEM-997574	SEAL KIT	250.00		408.28
RDEM-693618	SEAL KIT		110.00	176.85	RDEM-997576	SEAL KIT	250.00		431.63
RDEM-694726	SEAL KIT	350.00		1167.33	RDEM-997577	SEAL KIT		170.00	488.11
RDEM-694727	SEAL KIT		240.00	628.99					

## DRILTECH

## KITS

Ref. Number	Desc.	Bore	Rod	\$	Ref. Number	Desc.	Bore	Rod	\$
RDRI-003130/069	VALVE KIT			5.99	RDRI-12471/058	SEAL KIT	5.000	3.750	319.60
RDRI-1027/088	SEAL KIT	5.000	2.500	126.47	RDRI-1974/065	SEAL KIT	5.000	3.000	205.30
RDRI-1029/085	SEAL KIT	4.500	3.000	153.52	RDRI-3130/077	SEAL KIT	5.000	3.000	131.34

## DROTT

## KITS

Ref. Number	Desc.	Bore	Rod	\$	Ref. Number	Desc.	Bore	Rod	\$
RDRO-S120324	SEAL KIT	6.500	3.500	230.61	RDRO-S609427	SEAL KIT	6.500	3.500	96.50
RDRO-S200950	SEAL KIT	4.000	2.000	87.43	RDRO-S63871	SEAL KIT	5.250	4.500	59.50
RDRO-S233348	SEAL KIT	7.000	5.000	81.97					

## EATON YALE - TIMBERJACK

## KITS

Ref. Number	Desc.	Bore	Rod	\$	Ref. Number	Desc.	Bore	Rod	\$
REYT-2106793	SEAL KIT	3.000	1.500	40.02	REYT-6955804	SEAL KIT	5.000	2.250	77.93
REYT-6955800	SEAL KIT	3.500	2.000	50.12	REYT-6955805	SEAL KIT	5.500	2.520	80.30

All manufacturer's names, part numbers and descriptions are used for reference purposes only. We do not imply that any part shown is the product of these manufacturers.

INDUSTRIAL SEAL KITS

MOBILE SEAL KITS

DEMAG - EYT

## KITS

## ESCO

Ref. Number	Desc.	Bore	Rod	\$	Ref. Number	Desc.	Bore	Rod	\$
RESC-4046426	SEAL KIT	5.000	2.500	111.96	RESC-434043	SEAL KIT	5.000	2.000	36.79
RESC-4050756	SEAL KIT	4.000	2.250	38.33	RESC-434837	SEAL KIT	4.000	2.000	43.38
RESC-4095570	SEAL KIT	4.000	2.250	38.33	RESC-435261	SEAL KIT	3.500	1.500	45.83
RESC-420885	SEAL KIT	3.500	1.500	24.91	RESC-435398	SEAL KIT	4.000	2.000	28.94
RESC-421446	SEAL KIT	4.000	2.000	30.51	RESC-435430	SEAL KIT	4.000	2.000	34.55
RESC-421461	SEAL KIT	5.000	2.000	79.95	RESC-435686	SEAL KIT	5.000	2.500	112.00
RESC-421479	SEAL KIT	6.000	2.000	87.62	RESC-435942	SEAL KIT	4.000	2.250	36.69
RESC-422204	SEAL KIT	3.500	2.000	52.69					

INDUSTRIAL  
SEAL KITS

## KITS

## EUCLID

Ref. Number	Desc.	Bore	Rod	\$	Ref. Number	Desc.	Bore	Rod	\$
REUC-12568211	SEAL KIT	8.000	5.000	438.86	REUC-4047965	SEAL KIT		1.500	58.00
REUC-12568267	SEAL KIT	6.000	4.000	0/R	REUC-4051449	SEAL KIT	8.000	3.750	151.41
REUC-12573266	SEAL KIT	8.000		413.05	REUC-4057617	SEAL KIT	170.00	150.00	0/R
REUC-12586969	SEAL KIT	3.250	1.750	49.02	REUC-4061306	SEAL KIT	4,6	5,7	240.70
REUC-12587971	SEAL KIT	7, 9, 11	6, 8, 10	1259.57	REUC-4087774	SEAL KIT	8.000	6.000	432.53
REUC-12594016	SEAL KIT	10.500	9.000	2037.38	REUC-4087775	SEAL KIT	8.000	6.500	515.96
REUC-12977806	6-1/2, 8-1/2	5-3/4, 7-3/4, 9.17		540.64	REUC-594322	SEAL KIT	9.125	4.000	669.28
REUC-12977806/HT	5-3/4, 7-3/4, 9.17	4, 6-1/2, 8-1/2		492.09	REUC-603323	SEAL KIT	5,7,9	4,6,8	455.47
REUC-12978008	SEAL KIT	5.000	2.000	95.24	REUC-616335	SEAL KIT	7.000	4.000	334.05
REUC-3543533	SEAL KIT	5.000	2.000	96.50	REUC-651361	SEAL KIT	4.000	2.000	197.49
REUC-4011931	4, 6-1/2, 8	5-3/4, 7-3/4, 9.17		0/R	REUC-651362	SEAL KIT	4.500	2.000	219.89
REUC-4030025	4, 6-1/2, 8	5-3/4, 7-3/4, 9.17		0/R	REUC-651363	SEAL KIT	5.000	2.000	296.53
REUC-4030026	SEAL KIT	4, 6, 8-1/2		694.76	REUC-678387	SEAL KIT	3.000	1.500	54.50
REUC-4041432	SEAL KIT	4, 6	5, 7	240.70	REUC-678388	SEAL KIT	3.500	1.500	190.98
REUC-4046574	SEAL KIT	7,9,11	6,8,10	1011.49					

MOBILE  
SEAL KITS



BARKO

All manufacturer's names, part numbers and descriptions are used for reference purposes only. We do not imply that any part shown is the product of these manufacturers.

**Tel.: (905) 362-0889**  
**Fax: (888) 238-1664**

**KITS 295**

**www.sealsonline.com**

INDUSTRIAL  
SEAL KITS

MOBILE  
SEAL KITS



All manufacturer's names, part numbers and descriptions are used for reference purposes only. We do not imply that any part shown is the product of these manufacturers.

## CRANES - ROUGH TERRAIN

## GROVE CRANE

Model	Application	Bore	Rod	I	Ref. Number RGC-	\$
				M		
<b>RT58B, RT58C, RT58D</b>	BOOM LIFT	8.250	3.625	I	9752100164	222.89
	BOOM TEL.CYLINDER	6.500	4.500	I	9752100232	139.72
	EXTENSION	7.000	3.625	I	9752100329	194.88
	STABILIZER	7.000	3.625	I	9752100329	194.88
	SWIVEL	7.500		I	9752100358	80.03
<b>RT60S</b>	BOOM LIFT	8.250	3.500	I	9752100027	47.57
	BOOM TEL.CYLINDER	4.000	3.000	I	9752100114	47.92
		5.000	3.625	I	9752100076	103.28
	EXTENSION	3.000	1.750	I	9752100072	52.69
	STABILIZER	5.000	3.625	I	9752100076	103.28
	SWIVEL	3.750		I	9752100303	37.15
		8.250		I	9752100302	245.56
<b>RT515, RT518, RT525, RT527</b>	BOOM LIFT	9.000	3.625	I	9752100199	232.06
	BOOM TEL.CYLINDER	6.500	5.000	I	9752100238	158.44
	EXTENSION	3.000	1.750	I	9752100072	52.69
	STABILIZER	5.500	4.000	I	9752100240	182.37
	SWIVEL	5.500		I	9752100312	70.62
			8.500		I	9752100311
<b>CRANES - TRUCK MOUNTED</b>						
<b>TM150, TM155</b>	EXTENSION	3.000	1.750	I	9752100072	52.69
		3.000	1.750	I	9752100019	26.90
	BOOM LIFT	8.250	3.625	I	9752100074	122.08
		8.250	3.500	I	9752100027	47.57
	BOOM TEL.CYLINDER	4.000	2.625	I	9752100035	43.95
		5.000	3.625	I	9752100034	56.96
<b>TM180</b>	STABILIZER	5.000	3.625	I	9752100008	49.82
	BOOM LIFT	8.500	3.500	I	9752100027	47.57
	BOOM TEL.CYLINDER	4.000	2.625	I	9752100075	71.59
		4.000	3.000	I	9752100114	47.92
		5.000	3.625	I	9752100076	103.28
	EXTENSION	3.000	1.750	I	9752100072	52.69
	STABILIZER	5.000	3.625	I	9752100076	103.28

All manufacturer's names, part numbers and descriptions are used for reference purposes only. We do not imply that any part shown is the product of these manufacturers.

**Tel.: (204) 783-9617**  
**Fax: (204) 783-6091**

**KITS 297**

**www.sealsonline.com**

**INDUSTRIAL  
SEAL KITS**

**MOBILE  
SEAL KITS**

**GROVE CRANE**

## GROVE CRANE

## CRANES - TRUCK MOUNTED

Model	Application	Bore	Rod	I	Ref. Number RGC-	\$
				M		
<b>TM250</b>	BOOM LIFT	10.000	6.000	I	9752100029	186.77
	BOOM TEL.CYLINDER	7.000	5.500	I	9752100193	150.06
	EXTENSION	3.000	1.750	I	9752100072	52.69
	JACK	5.000	3.625	I	9752100229	151.03
	STABILIZER	5.000	3.625	I	9752100229	151.03
	SWIVEL	8.500		I	9752100306	109.16
		8.500		I	9752100314	261.46
<b>TMS250EB</b>	BOOM LIFT	10.000	6.000	I	9752100029	186.77
	BOOM TEL.CYLINDER	7.000	5.500	I	9752100193	150.06
	EXTENSION	2.500	1.500	I	9752100363	40.12
	JACK	5.000	3.625	I	9752100364	133.14
	STABILIZER	5.500	4.000	I	9752100387	167.46
	SWIVEL	8.500		I	9752100306	109.16
		8.500		I	9752100538	309.78
<b>TMS275</b>	BOOM LIFT	11.000	6.000	I	9752100029	186.77
	BOOM TEL.CYLINDER	5.000	3.625	I	9752100076	103.28
	EXTENSION	3.000	1.750	I	9752100009	26.72
	STABILIZER	5.875	3.500	I	9372100153	63.12
<b>TM300</b>	BOOM LIFT	8.250	6.500	I	9752100146	224.00
	BOOM TEL.CYLINDER	5.500	4.500	I	9752100157	124.35
	EXTENSION	3.000	1.750	I	9752100072	52.69
	JACK	5.000	3.625	I	9752100229	151.03
	STABILIZER	6.000	4.750	I	9752100162	121.54
	SWIVEL	8.500		I	9752100314	261.46
<b>TM400</b>	BOOM LIFT	12.500	6.500	I	9752100039	190.44
	BOOM TEL.CYLINDER	5.000	3.625	I	9752100076	103.28
		6.000	4.500	I	9752100077	82.72
	EXTENSION	3.000	1.750	I	9752100072	52.69
	STABILIZER	7.500	4.500	I	9576100048	45.47
<b>TM475</b>	BOOM TEL.CYLINDER	5.500	4.500	I	9752100202	176.61
	EXTENSION	3.000	1.750	I	9752100072	52.69
	JACK	5.000	3.625	I	9752100229	151.03
	STABILIZER	6.000	4.750	I	9752100162	121.54
	SWIVEL	8.500		I	9752100314	261.46

All manufacturer's names, part numbers and descriptions are used for reference purposes only. We do not imply that any part shown is the product of these manufacturers.

INDUSTRIAL  
SEAL KITS

MOBILE  
SEAL KITS

GROVE CRANE

## CRANES - TRUCK MOUNTED

## GROVE CRANE

Model	Application	Bore	Rod	I	Ref. Number RGC-	\$
				M		
<b>TM750E</b>	BOOM TEL.CYLINDER	6.000	5.000	I	9752100293	212.63
	EXTENSION	3.000	1.750	I	9752100369	54.04
	JACK	5.000	3.625	I	9752100364	133.14
	STABILIZER	6.000	4.750	I	9752100163	114.74
	SWIVEL	5.500		I	9752100300	28.65
<b>TM800</b>	BOOM EXTENSION	6.500	5.500	I	9752100090	135.31
<b>TM870E</b>	BOOM LIFT	10.000	7.000	I	9752100286	347.84
	EXTENSION	3.000	1.750	I	9752100072	52.69
	JACK	6.000	4.750	I	9752100163	114.74
	SWIVEL	5.500		I	9752100300	28.65
	STABILIZER	6.000	4.750	I	9752100163	114.74

INDUSTRIAL  
SEAL KITS

MOBILE  
SEAL KITS

## KIT LISTING

## GROVE CRANE

Ref. Number	Desc.	Bore	Rod	\$	Ref. Number	Desc.	Bore	Rod	\$
RGC-360006321	SEAL KIT	4.500	2.500	36.39	RGC-9752100076	SEAL KIT	5.000	3.625	116.10
RGC-6576000014	SEAL KIT	4.000	2.625	39.22	RGC-9752100077	SEAL KIT	6.000	4.500	93.01
RGC-9372100153	SEAL KIT	5.875	3.500	70.96	RGC-9752100079	SEAL KIT	5.000	2.625	97.35
RGC-9372100165	SEAL KIT	11.000	6.000	143.21	RGC-9752100081	SEAL KIT	7.000	3.625	130.18
RGC-9372101365	SEAL KIT	4.500	2.500	38.09	RGC-9752100082	SEAL KIT	7.000	2.625	124.24
RGC-9576000014	SEAL KIT	4.000	2.625	35.62	RGC-9752100083	SEAL KIT	6.000	3.625	120.74
RGC-9576100016	SEAL KIT	5.000	3.625	179.80	RGC-9752100085	SEAL KIT	4.000	2.000	65.71
RGC-9576100048	SEAL KIT	7.500	4.500	51.12	RGC-9752100090	SEAL KIT	6.500	5.500	152.12
RGC-9752100002	SEAL KIT	5.000	2.625	47.12	RGC-9752100111	SEAL KIT	6.000	4.750	141.73
RGC-9752100003	SEAL KIT	3.000	1.250	18.65	RGC-9752100112	SEAL KIT	7.000	5.500	172.35
RGC-9752100004	SEAL KIT	7.000	2.625	66.87	RGC-9752100114	SEAL KIT	4.000	3.000	53.86
RGC-9752100008	SEAL KIT	5.000	3.625	56.00	RGC-9752100115	EXTENSION LINE KIT			43.53
RGC-9752100009	SEAL KIT	3.000	1.750	30.04	RGC-9752100119	TUBE EXTENSION KIT			50.83
RGC-97521000164-OLE	SEAL KIT	8.250	3.625	292.70	RGC-9752100123	SEAL KIT	1.875	0.625	16.11
RGC-9752100019	SEAL KIT	3.000	1.750	30.24	RGC-9752100127	SEAL KIT	10.000	6.000	300.09
RGC-9752100027	SEAL KIT	8.250	3.500	53.49	RGC-9752100137	SEAL KIT	10.000	6.000	304.82
RGC-9752100029	SEAL KIT	11.000	6.000	209.97	RGC-9752100138	SEAL KIT	11.000	7.000	495.50
RGC-9752100032	SEAL KIT	4.000	2.625	41.53	RGC-9752100146	SEAL KIT	8.250	6.500	251.80
RGC-9752100034	SEAL KIT	5.000	3.625	64.03	RGC-9752100150	SEAL KIT	7.000	6.000	209.50
RGC-9752100035	SEAL KIT	4.000	2.625	49.42	RGC-9752100152	SEAL KIT	11.000	7.000	313.03
RGC-9752100039	SEAL KIT	12.500	6.500	214.08	RGC-9752100155	SEAL KIT	12.000	7.000	341.16
RGC-9752100072	SEAL KIT	3.000	1.750	59.23	RGC-9752100157	SEAL KIT	5.500	4.500	139.80
RGC-9752100074	SEAL KIT	8.250	3.625	137.24	RGC-9752100162	SEAL KIT	6.000	4.750	136.64
RGC-9752100075	SEAL KIT	4.000	2.625	80.48	RGC-9752100163	SEAL KIT	6.000	4.750	128.99

All manufacturer's names, part numbers and descriptions are used for reference purposes only. We do not imply that any part shown is the product of these manufacturers.

**Tel.: (780) 414-1871**  
**Fax: (780) 487-5419**

**KITS 299**

**www.sealsonline.com**

GROVE CRANE



## GROVE CRANE

## KIT LISTING

Ref. Number	Desc.	Bore	Rod	\$	Ref. Number	Desc.	Bore	Rod	\$
RGC-9752100164	SEAL KIT	8.250	3.625	250.57	RGC-9752100306	SWIVEL KIT	8.500		122.72
RGC-9752100167	SEAL KIT	7.000	6.000	181.27	RGC-9752100307	SWIVEL KIT	8.500		212.31
RGC-9752100168	SEAL KIT	7.000	5.500	226.55	RGC-9752100311	SWIVEL KIT	8.500		178.62
RGC-9752100173	SEAL KIT	6.500	5.500	259.27	RGC-9752100312	SWIVEL KIT	5.500		79.40
RGC-9752100180	SEAL KIT	8.250	6.000	224.66	RGC-9752100314	SWIVEL KIT	8.500		293.93
RGC-9752100181	SEAL KIT	8.250	7.000	384.18	RGC-9752100324	SEAL KIT	3.000	1.750	71.54
RGC-9752100184	SEAL KIT	11.000	7.000	370.23	RGC-9752100329	SEAL KIT	7.000	3.625	219.08
RGC-9752100186	SEAL KIT	10.000	6.000	381.43	RGC-9752100345	SEAL KIT	5.500	4.500	158.42
RGC-9752100187	SEAL KIT	6.000	3.625	143.08	RGC-9752100358	SWIVEL KIT	7.500		89.97
RGC-9752100189	SEAL KIT	6.000	4.500	137.23	RGC-9752100361	SWIVEL KIT	7.000		124.39
RGC-9752100192	SEAL KIT	10.000	6.000	475.89	RGC-9752100363	SEAL KIT	2.500	1.500	45.12
RGC-9752100193	SEAL KIT	7.000	5.500	168.70	RGC-9752100364	SEAL KIT	5.000	3.625	149.68
RGC-9752100198	SEAL KIT	11.000	7.000	488.66	RGC-9752100369	SEAL KIT	3.000	1.750	60.76
RGC-9752100199	SEAL KIT	9.000	3.625	260.87	RGC-9752100377	SEAL KIT	4.500	3.000	100.82
RGC-9752100202	SEAL KIT	5.500	4.500	198.54	RGC-9752100385	SWIVEL KIT	5.500		80.31
RGC-9752100229	SEAL KIT	5.000	3.625	169.79	RGC-9752100387	SEAL KIT	5.500	4.000	188.26
RGC-9752100232	SEAL KIT	6.500	4.500	157.08	RGC-9752100445	SEAL KIT	9.000	6.000	376.42
RGC-9752100234	SEAL KIT	6.000	4.500	158.02	RGC-9752100461	SEAL KIT	5.000	3.625	191.57
RGC-9752100235	SEAL KIT	5.000	2.625	102.11	RGC-9752100463	SEAL KIT	9.000	7.000	468.62
RGC-9752100236	SEAL KIT	8.250	3.625	219.15	RGC-9752100466	EXTENSION LINE KIT			52.57
RGC-9752100238	SEAL KIT	6.500	5.000	178.12	RGC-9752100467	SEAL KIT	7.000	3.625	238.50
RGC-9752100239	SEAL KIT	5.500	4.000	179.36	RGC-9752100468	SEAL KIT	5.000	3.625	176.15
RGC-9752100240	SEAL KIT	5.500	4.000	205.03	RGC-9752100470	SEAL KIT	8.250	5.000	304.99
RGC-9752100241	SEAL KIT	5.000	3.625	139.50	RGC-9752100475	SEAL KIT	9.000	7.000	405.29
RGC-9752100242	SEAL KIT	5.000	2.625	141.50	RGC-9752100477	SEAL KIT	5.500	3.000	134.00
RGC-9752100243	SEAL KIT	7.000	5.500	293.56	RGC-9752100491	SEAL KIT	8.250	3.625	220.66
RGC-9752100286	SEAL KIT	10.000	7.000	391.04	RGC-9752100498	EXTENSION LINE KIT			39.41
RGC-9752100290	SEAL KIT	9.000	6.000	370.06	RGC-9752100532	SEAL KIT	6.000	5.000	501.10
RGC-9752100293	SEAL KIT	6.000	5.000	239.03	RGC-9752100538	SWIVEL KIT	8.500		348.24
RGC-9752100298	SWIVEL KIT	7.500		148.00	RGC-9752100563	SWIVEL KIT	5.500		80.31
RGC-9752100299	SWIVEL KIT	6.000		78.78	RGC-9752100693	SEAL KIT	5.500	4.500	241.57
RGC-9752100300	SWIVEL KIT	5.500		32.21	RGC-9752100694	SEAL KIT	5.500	4.500	258.46
RGC-9752100301	SWIVEL KIT	8.500		254.34	RGC-9752100884	SEAL KIT	3.500	2.625	305.47
RGC-9752100302	SWIVEL KIT	8.250		276.05	RGC-9752101126	SWIVEL KIT	8.500		480.93
RGC-9752100303	SWIVEL KIT	3.750		41.75					

All manufacturer's names, part numbers and descriptions are used for reference purposes only. We do not imply that any part shown is the product of these manufacturers.

INDUSTRIAL  
SEAL KITS

MOBILE  
SEAL KITS

GROVE CRANE

## KITS

## HEIL

Ref. Number	Stages	Bore	Rod	\$	Ref. Number	Stages	Bore	Rod	\$
RHEI-1/3688/06	STAGES 5, 6, 7, 8, 9-1/8"			1470.57	RHEI-K272/2774	STAGES 4, 5, 6, 7"			375.06
RHEI-1/3689/22	STAGES 4, 5, 6, 7, 8, 9-1/8"			1594.57	RHEI-K272/2775	SEAL KIT	4.000	2.000	70.64
RHEI-1/3690/09	SEAL KIT	6.000	4.000	53.57	RHEI-K272/2776	SEAL KIT	5.500	3.500	71.58
RHEI-1/3692/07	SEAL KIT	2.500	1.500	12.38	RHEI-K272/2778	SEAL KIT	5.000	2.500	65.79
RHEI-1/3693/09	SEAL KIT	5.000	2.500	35.25	RHEI-K272/2880	STAGES 4, 5"			112.85
RHEI-1/3706/05	SEAL KIT	6.000	4.000	72.58	RHEI-K272/3334	SEAL KIT	5.000	3.500	73.45
RHEI-1/4098K	SEAL KIT	7.500	2.500	67.38	RHEI-K272/3572	SEAL KIT	4.000	3.500	66.60
RHEI-1/4181/16	SEAL KIT	4.500	4.000	58.69	RHEI-K272/3581	SEAL KIT	5.500	4.000	61.24
RHEI-1/4807/100	SEAL KIT	4.000	3.250	64.79	RHEI-K272/3582	SEAL KIT	4.000	2.000	49.70
RHEI-1/5098K	SEAL KIT	4.500	2.500	127.93	RHEI-K272/3583	SEAL KIT	5.000	3.500	82.31
RHEI-1/5110/10	SEAL KIT	5.000	2.500	135.51	RHEI-K272/3584	SEAL KIT	4.500	2.500	67.40
RHEI-1/6070K	SEAL KIT	3.000	1.500	113.05	RHEI-K272/3586	SEAL KIT	2.125	1.500	28.62
RHEI-1/6085/1K	SEAL KIT	3.000	1.500	156.26	RHEI-K272/3594	SEAL KIT	3.000	1.750	54.74
RHEI-1/6160/100	SEAL KIT	3.000	1.125	64.79	RHEI-K272/3595	SEAL KIT	4.000	2.000	165.08
RHEI-1/6161/100	SEAL KIT	3.000	2.000	81.24	RHEI-K272/3600	STAGES 3, 4, 5"			633.89
RHEI-1/6164/100	SEAL KIT	5.000	1.500	64.49	RHEI-K272/3605	SEAL KIT	4.500	2.500	133.28
RHEI-1/6402/100	SEAL KIT	3.000	1.125	113.55	RHEI-K272/3607	SEAL KIT	5.500	4.000	190.07
RHEI-1/6403/100	SEAL KIT	1.750	1.125	116.52	RHEI-K272/3608	SEAL KIT	5.000	2.500	135.51
RHEI-1/6404/100	SEAL KIT	3.000	2.000	110.66	RHEI-K272/3609	SEAL KIT	5.500	3.500	204.53
RHEI-1/6405/100	SEAL KIT	3.000	1.125	55.84	RHEI-K272/3991	STAGES 4, 5, 6, 7"			415.62
RHEI-1/6406/100	SEAL KIT	5.000	1.500	155.27	RHEI-K272/4285	STAGES 4, 5, 6"			164.05
RHEI-6403/34	SEAL KIT	6.000	4.000	74.10	RHEI-K272/4456	SEAL KIT	6.000	2.000	73.83
RHEI-AIC2819K	SEAL KIT	6.500	4.500	220.55	RHEI-K272/4872	STAGES 3, 4, 5"			600.19
RHEI-AID1275/2K	SEAL KIT		3.500	45.82	RHEI-K272/4893	SEAL KIT	4.000	3.250	152.94
RHEI-AID1276K	STAGES 2, 3-1/2"			72.97	RHEI-K272/4932	STAGES 3-1/8, 4, 5"			155.66
RHEI-AID1285K	SEAL KIT		2.375	21.80	RHEI-K272/4933	STAGES 3-1/8, 4, 5"			135.84
RHEI-AID1868K	SEAL KIT	5.000	3.500	152.96	RHEI-K272/4938	STAGES 4, 5, 6"			186.16
RHEI-AID2105K	SEAL KIT	3.000	1.500	35.26	RHEI-K272/4939	STAGES 4, 5, 6"			207.55
RHEI-AID2801K	SEAL KIT		3.500	25.65	RHEI-K272/659	STAGES 2, 3-1/2"			75.33
RHEI-AID2844K	SEAL KIT	5.500	2.750	73.68	RHEI-K272/660	SEAL KIT	5.000	3.500	86.01
RHEI-AID2847/1	SEAL KIT		3.500	32.94	RHEI-K272/661	SEAL KIT	5.500	3.500	79.90
RHEI-AID2928K	SEAL KIT	4.500	2.000	39.24	RHEI-K272/662	SEAL KIT	3.000	2.500	27.55
RHEI-AID3503K	SEAL KIT		3.500	25.05	RHEI-K272/6627	SEAL KIT	2.500	1.125	63.39
RHEI-AID3523K	STAGES 2, 3-1/2"			45.17	RHEI-K272/663	SEAL KIT		1.500	23.81
RHEI-AID3541/14	SEAL KIT	4.500	4.000	42.50	RHEI-K272/664	SEAL KIT	4.500	2.000	50.86
RHEI-AID3672K	SEAL KIT	3.500	2.250	41.11	RHEI-K272/665	SEAL KIT	3.500	2.250	46.53
RHEI-AID3809K	SEAL KIT	4.500	2.000	52.16	RHEI-K272/666	STAGES 2, 3, 4, 5"			155.09
RHEI-AID3856K	SEAL KIT	3.500	2.250	25.39	RHEI-K272/667	SEAL KIT	5.500	2.750	81.58
RHEI-AID3874K	SEAL KIT		3.500	20.54	RHEI-K272/668	SEAL KIT	5.000	3.500	75.70
RHEI-AID3917	SEAL KIT	5.000	3.500	64.07	RHEI-K272/669	SEAL KIT	4.000	3.500	29.86
RHEI-K22/3132	SEAL KIT	3.000	1.500	24.29	RHEI-K272/672	SEAL KIT	5.500	2.250	58.04
RHEI-K252/9310	STAGES 4-3/4, 6-1/4"			295.25	RHEI-K272/673	SEAL KIT	3.000	1.500	41.35
RHEI-K252/9312	STAGES 6-1/4, 8-5/8"			412.04	RHEI-K272/674	SEAL KIT	4.000	2.000	44.58
RHEI-K262/6627	SEAL KIT	2.500	1.125	60.21	RHEI-K272/676	STAGES 2, 3, 4"			116.82
RHEI-K272/1024	STAGES 3-1/8, 4, 5"			76.38	RHEI-K272/933	STAGES 2, 3, 4, 5"			147.64
RHEI-K272/1026	STAGES 4, 5, 6"			96.62	RHEI-K272/934	STAGES 2, 3, 4"			107.83
RHEI-K272/1027	STAGES 4, 5, 6"			136.84	RHEI-K272/937	SEAL KIT	3.000	2.500	26.57
RHEI-K272/2771	SEAL KIT	5.000	2.000	108.16	RHEI-K272/938	SEAL KIT	4.000	3.500	33.35

All manufacturer's names, part numbers and descriptions are used for reference purposes only. We do not imply that any part shown is the product of these manufacturers.

**Tel.: (403) 279-1871**  
**Fax: (403) 279-1821**

**KITS 301**

**www.sealsonline.com**

INDUSTRIAL  
SEAL KITS

MOBILE  
SEAL KITS

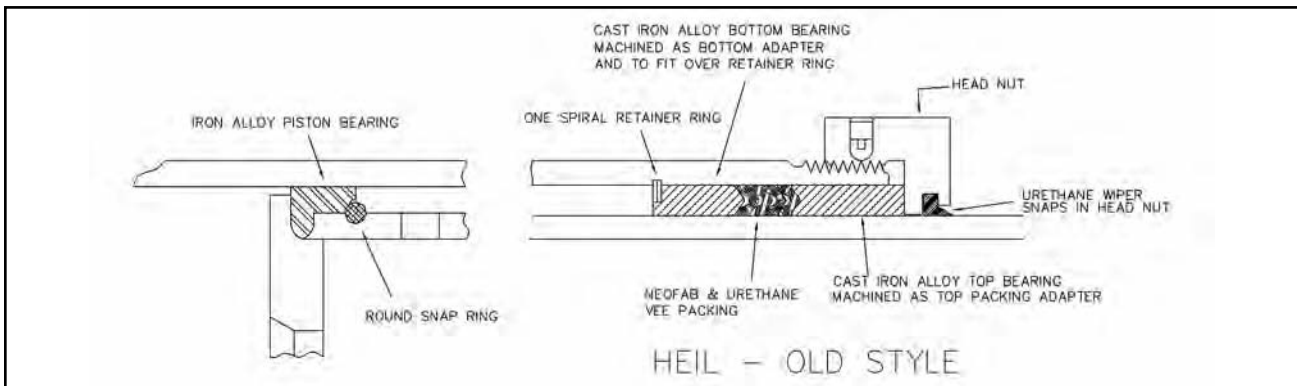
HEIL

## HEIL

## KITS

Ref. Number	Stages	Bore	Rod	\$	Ref. Number	Stages	Bore	Rod	\$
RHEI-K272/939	SEAL KIT	3.000	2.500	44.22	RHEI-K272/957A	SEAL KIT	4.500	2.000	100.02
RHEI-K272/941	SEAL KIT	5.500	2.750	119.36	RHEI-K272/958	SEAL KIT	2.500	1.500	34.22
RHEI-K272/944	SEAL KIT	3.500	2.250	34.71	RHEI-K272/959	SEAL KIT	4.000	2.000	47.72
RHEI-K272/945	SEAL KIT	4.500	2.000	41.89	RHEI-K272/962	SEAL KIT	3.000	1.500	48.75
RHEI-K272/946	SEAL KIT	3.000	1.750	18.14	RHEI-K272/963	SEAL KIT	5.500	2.250	149.82
RHEI-K272/948	SEAL KIT	5.000	2.500	122.77	RHEI-K272/966	SEAL KIT	3.000	1.500	33.92
RHEI-K272/949	SEAL KIT	5.000	3.000	125.17	RHEI-K272/969	SEAL KIT	5.000	3.500	47.86
RHEI-K272/950	SEAL KIT	4.500	3.000	82.94	RHEI-K272/971	STAGES 3, 4"			164.68
RHEI-K272/951	SEAL KIT	7.500	2.500	68.73	RHEI-K272/974	SEAL KIT	4.000	2.000	48.93
RHEI-K272/953	SEAL KIT	5.000	3.500	91.52	RHEI-K272/976	STAGES 4, 5, 6"			286.99
RHEI-K272/954	SEAL KIT	5.500	3.500	51.47	RHEI-K272/980	SEAL KIT	4.000		30.05
RHEI-K272/955	STAGES 2, 3-1/2"			121.14	RHEI-K272/981	SEAL KIT	3.000	1.500	63.87
RHEI-K272/956	SEAL KIT	4.000	2.500	69.37	RHEI-K272/983	SEAL KIT	4.500	4.000	94.96
RHEI-K272/956A	SEAL KIT	4.000	2.500	69.37	RHEI-K272/989	SEAL KIT	5.500	4.000	69.84
RHEI-K272/957	SEAL KIT	4.500	2.000	100.02	RHEI-K272/994	SEAL KIT	6.000	4.000	52.50

## HEIL - TELESCOPIC CYLINDERS OLD STYLE - SINGLE & DOUBLE ACTING



STAGE O.D.'S:	3.125" (0.187" C.S.), 4, 5, 6" (1/4" C.S.)
IDENTIFICATION:	METAL TAG ATTACHED TO CYLINDER BODY WITH MODEL/PART NUMBER
ROD WIPERS:	SOME CYLINDERS USE BRONZE WIPERS TRAPPED BETWEEN THE GLAND COLLAR AND THE TOP BEARING. SOME CYLINDERS USE "AN" WIPERS WHICH SNAP INTO A GROOVE IN THE GLAND COLLAR
BEARINGS:	CAST IRON THAT SERVE AS TOP AND BOTTOM ADAPTORS FOR VEE PACKING.
PACKING:	VEE PACKING WITH NO ADAPTORS
SPECIAL INFORMATION:	USES ONE SPIRAL TYPE RETAINER RING PER STAGE AS INTERNAL STOP. GLAND COLLARS HAVE 2 "EARS" CAST 180° APART.

All manufacturer's names, part numbers and descriptions are used for reference purposes only. We do not imply that any part shown is the product of these manufacturers.

## KITS

HEIL

### V.Set & Wiper

Ref. Number	Desc.	\$
RHEI-26B2090/2A	2.000" STAGE - V.SET & WIPER	13.30
RHEI-26B2090/3A	3.000" STAGE - V.SET & WIPER	14.57
RHEI-26B2266/1A	3.125" STAGE - V.SET & WIPER	24.48
RHEI-26B2260/1A	4.000" STAGE - V.SET & WIPER	26.59
RHEI-26B2260/2A	5.000" STAGE - V.SET & WIPER	38.33
RHEI-26B2260/3A	6.000" STAGE - V.SET & WIPER	51.10

### Retainer Rings

Ref. Number	Desc.	\$
RHEI-26A2083-1	2.000" STAGE - SPIRAL RETAINER	5.30
RHEI-26A2083-2	3.000" STAGE - SPIRAL RETAINER	9.78
RHEI-26A2240-1	3.125" STAGE - SPIRAL RETAINER	18.14
RHEI-26A2083-3	4.000" STAGE - SPIRAL RETAINER	10.88
RHEI-26A2083-4	5.000" STAGE - SPIRAL RETAINER	9.90
RHEI-26A2406-1	6.000" STAGE - SPIRAL RETAINER	26.38

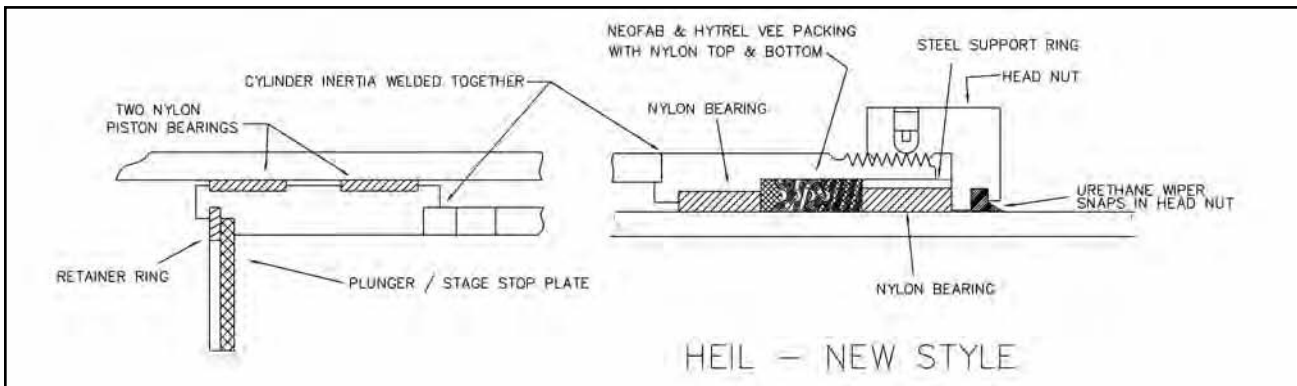
### Piston Rings (Double Acting)

Ref. Number	Desc.	\$
RHEI-26A2080	2.000" STAGE - PISTON RING	11.50
RHEI-26A2081	3.000" STAGE - PISTON RING	12.11
RHEI-26A2082	4.000" STAGE - PISTON RING	13.73
RHEI-26B2221	5.000" STAGE - PISTON RING	18.91

INDUSTRIAL SEAL KITS

MOBILE SEAL KITS

## HEIL - DUMP TRUCK CYLINDERS NEW STYLE HPT - SINGLE ACTING - VEE PACKINGS



STAGE O.D.'S: 3.125, 4, 5, 6"  
 IDENTIFICATION: METAL TAG ATTACHED TO CYLINDER BODY WITH MODEL/PART NUMBER  
 ROD WIPERS: "AN" STYLE  
 BEARINGS: SPLIT 0.125" THICK NYLON WEAR RINGS.  
 PACKING: VEE PACKING WITH NYLON TOP AND BOTTOM ADAPTORS.  
 SPECIAL INFORMATION: HAS WELDED STOP IN GLAND. CYLINDER DISSEMBLES BY REMOVING LARGE TRU-ARC TYPE SNAP RING WHICH RETAINS THE CYLINDER BASE AND BOTTOM OF EACH STAGE.

All manufacturer's names, part numbers and descriptions are used for reference purposes only. We do not imply that any part shown is the product of these manufacturers.

**Tel.: (604) 278-6808**  
**Fax: (604) 278-6180**

**KITS 303**

[www.sealsonline.com](http://www.sealsonline.com)

HEIL

### V.set & Wiper

Ref. Number	Desc.	\$
RHEI-K272/1024	3-1/8, 4, 5" STAGES - V.SETS & WIPERS	76.38
RHEI-K272/1026	4, 5, 6" STAGES - V.SETS & WIPERS	96.62
RHEI-K272/1027	4, 5, 6" STAGES - V.SETS, WIPERS & BEARINGS	136.84

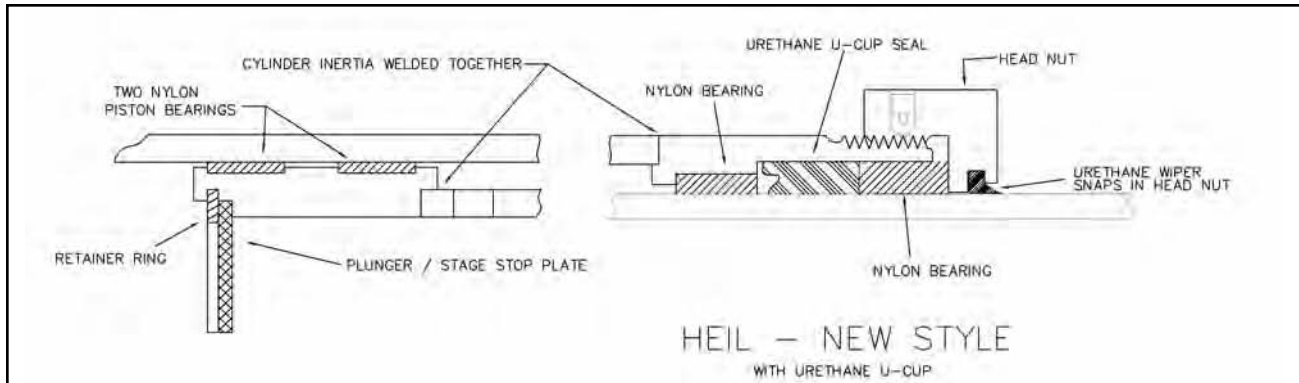
### Bearings Lower

Ref. Number	Desc.	\$
RHEI-26/4395/1	3.500" OD. - LOWER WEAR RING	6.13
RHEI-26/4395/2	4.500" OD. - LOWER WEAR RING	5.20
RHEI-26/4395/3	5.500" OD. - LOWER WEAR RING	5.18
RHEI-26/4176/4	6.500" OD. - LOWER WEAR RING	5.98

### Bearing - Upper

Ref. Number	Desc.	\$
RHEI-26/4394/1	3.125" ID. - UPPER WEAR RING	6.07
RHEI-26/4394/2	4.000" ID. - UPPER WEAR RING	5.07
RHEI-26/4157/3	5.000" ID. - UPPER WEAR RING	5.07
RHEI-26/4157/4	6.000" ID. - UPPER WEAR RING	5.60

## HEIL - DUMP TRUCK CYLINDERS NEW STYLE HPT - SINGLE ACTING - U SEALS



STAGE O.D.'S: 3.125, 4, 5, 6"  
 IDENTIFICATION: METAL TAG ATTACHED TO CYLINDER BODY WITH MODEL/PART NUMBER  
 ROD WIPERS: "AN" STYLE  
 BEARINGS: NYLON BEARINGS ABOVE AND BELOW U-SEAL  
 PACKING: URETHANE U-SEALS  
 SPECIAL INFORMATION: HAS WELDED STOP IN GLAND. CYLINDER DISSEMBLES BY REMOVING LARGE TRU-ARC TYPE SNAP RING WHICH RETAINS THE CYLINDER BASE AND BOTTOM OF EACH STAGE.

### KITS

Ref. Number	Desc.	\$
RHEI-K272/4932	3-1/8, 4, 5" STAGES - U SEALS, WIPERS & GLAND BEARINGS	155.66
RHEI-K272/4938	4, 5, 6" STAGES - U SEALS, WIPERS & GLAND BEARINGS	186.16
RHEI-K272/4939	4, 5, 6" STAGES - U SEALS, WIPERS & BEARINGS	207.55

All manufacturer's names, part numbers and descriptions are used for reference purposes only. We do not imply that any part shown is the product of these manufacturers.

## CRANES

## HIAB

Model	Application	Serial Number	Cylinder Group	Bore	Rod	I	Ref. Number RHIA-	\$	
						M			
045	EXTENSION - 1ST			65.00	40.00	M	542121	52.42	
	EXTENSION - 2ND & 3RD.			50.00	30.00	M	542130	47.43	
	BOOM - INNER			90.00	50.00	M	542105	58.40	
	OUTRIGGER - LONG			70.00	50.00	M	542156	68.33	
	BOOM - OUTER			90.00	50.00	M	542113	58.40	
	SWING			PISTON KIT	100.00		M	542148	95.48
070	EXTENSION - BOOM	2 STAGE TEL. - CYL. AW		60.00	33.00	M	330/0897	32.25	
				60, 92	35, 80	M	330/0731	156.55	
	BOOM - INNER			125.00	90.00	M	330/0871	152.84	
	BOOM - OUTER			100.00	70.00	M	330/0889	87.29	
071	EXTENSION - BOOM	2 STAGES TEL. 2 STAGES TEL.	3478379 3501515 3400441 3509052 3554589 3300889 3502414	80.00	50.00	M	330/1044	45.78	
				80.00	50.00	M	330/1044	45.78	
				60, 92	35, 80	M	330/0731	156.55	
				60, 92	35, 80	M	330/0731	156.55	
	BOOM - INNER			3554589	125.00	90.00	M	330/0871	152.84
	BOOM - OUTER			3300889	100.00	70.00	M	330/0889	87.29
100	EXTENSION - BOOM	CYL. A		70.00	45.00	M	330/0714	49.22	
	BOOM - INNER			125.00	80.00	M	330/0692	83.45	
120	EXTENSION - BOOM	UPDATED VERSION		63.00	45.00	M	330/1311	40.31	
				63.00	40.00	M	330/1320	45.15	
	BOOM - OUTER			125.00	90.00	M	330/1303	109.83	
140	EXTENSION - BOOM	2-STAGE TEL. - CYL. AW CYL. AWV		80.00	50.00	M	330/1044	45.78	
				70, 105	40, 90	M	330/0668	158.55	
				60.00	33.00	M	330/1001	29.59	
	BOOM - INNER			140.00	80.00	M	330/1036	125.29	
	BOOM - OUTER			140.00	80.00	M	330/1036	125.29	
175	EXTENSION - BOOM			3616819	70.00	45.00	M	330/1583	58.93
				3622100	70.00	45.00	M	330/1583	58.93
				3608603	63.00	40.00	M	330/1613	51.36
				3625681	63.00	40.00	M	330/1613	51.36
	EXTENSION			3583872	40.00	25.00	M	330/1052	75.13
	BOOM - INNER			3625745	160.00	100.00	M	330/1443	156.08
					140.00	100.00	M	330/1290	90.22
	BOOM - OUTER			3561330	140.00	100.00	M	330/1290	90.22
	OUTRIGGER			LEG	90.00	70.00	M	330/1028	51.15
					3592774	90.00	70.00	M	330/1028
		3531031	90.00	70.00	M	330/1028	51.15		
		3594769	90.00	70.00	M	330/1028	51.15		

All manufacturer's names, part numbers and descriptions are used for reference purposes only. We do not imply that any part shown is the product of these manufacturers.

Tel.: (418) 688-3202  
Fax: (418) 688-4272

**KITS 305**

[www.sealsonline.com](http://www.sealsonline.com)

INDUSTRIAL  
SEAL KITS

MOBILE  
SEAL KITS

HIAB

## HIAB

## CRANES

Model	Application	Serial Number	Cylinder Group	Bore	Rod	I	Ref. Number RHIA-	\$
						M		
650	BOOM - INNER	TO 65450		160.00	140.00	M	330/0218	79.45
		90001-UP		140.00	100.00	M	330/0749	86.95
				140.00	100.00	M	330/0501	85.02
	EXTENSION - BOOM	TO 65450	3155528	160.00	140.00	M	330/0218	79.45
				60.00	33.00	M	330/1001	29.59
		2 STAGE TEL. - CYL. AW		65, 100	32, 85	M	330/0633	116.39
		650/1 - 2 STAGE TEL. - CYL. AW		60, 92	35, 80	M	330/0731	156.55
	EXTENSION - BOOM EXTENSION - D.BOOM		3088031	60.00	33.00	M	330/1001	29.59
		6216765, 3402746		65, 100	32, 85	M	330/0633	116.39
		3411172, 3199622		65, 100	32, 85	M	330/0633	116.39
3080005, 3419258			60, 92	35, 80	M	330/0731	156.55	
BOOM - D.A. INNER	90001-UP	3099199	140.00	100.00	M	330/0749	86.95	
		3051919	140.00	100.00	M	330/0501	85.02	
		3091919	140.00	100.00	M	330/0501	85.02	
670	EXTENSION - BOOM	2 STAGES TEL.		140.00	63.00	M	622/1661	87.62
	EXTENSION - BOOM		70, 105	32, 90	M	622/2170	181.02	
	EXTENSION		63.00	40.00	M	622/1149	48.83	
	BOOM - MAIN		125.00	63.00	M	622/1599	65.49	
	SLEW CYLINDER		105.00		M	330/0528	103.93	
985	EXTENSION - 1ST	2 STAGES TEL.		70.00	45.00	M	330/0714	49.22
	EXTENSION - 2ND		60, 92	35, 80	M	330/0731	156.55	
	EXTENSION - 3RD		60.00	33.00	M	330/0595	40.72	
	EXTENSION - AH		70.00	45.00	M	330/0714	49.22	
	BOOM - INNER		125.00	80.00	M	330/0692	83.45	
	BOOM - OUTER		125.00	80.00	M	330/0692	83.45	
1165	BOOM - INNER			140.00	80.00	M	622/1688	95.94
	BOOM - OUTER			140.00	80.00	M	622/1688	95.94
1165/1	BOOM - INNER			140.00	80.00	M	330/1036	125.29
	BOOM - OUTER			140.00	80.00	M	330/1036	125.29
	EXTENSION - BOOM			80.00	50.00	M	330/1044	45.78
1165/2		( TO 1977 ) 2 STAGE TEL. - CYL. AW		70, 105	40, 90	M	330/0668	158.55
	BOOM - INNER		3445038	140.00	80.00	M	622/1688	95.94
	BOOM - OUTER		3445852	140.00	80.00	M	622/1688	95.94
1770	EXTENSION - BOOM	CYL. A		80.00	50.00	M	330/1044	45.78
		2 STAGE TEL. - CYL. AW		70, 105	40, 90	M	330/0668	158.55
	BOOM - INNER			125.00	80.00	M	872/8330	79.24
	BOOM - OUTER			180.00	100.00	M	872/8348	122.32
	OUTRIGGER	13 TON LEG		110.00	90.00	M	330/0773	82.45

All manufacturer's names, part numbers and descriptions are used for reference purposes only. We do not imply that any part shown is the product of these manufacturers.

INDUSTRIAL SEAL KITS

MOBILE SEAL KITS

HIAB

## CRANES

HIAB

Model	Application	Serial Number	Cylinder Group	Bore	Rod	I	Ref. Number RHIA-	\$
						M		
2640	BOOM - INNER			140.00	100.00	M	872/8038	88.74
	BOOM - OUTER			140.00	100.00	M	872/8038	88.74
	EXTENSION - BOOM			100.00	63.00	M	330/0641	64.76

INDUSTRIAL SEAL KITS

## KIT LISTING

HIAB

Ref. Number	Desc.	Bore	Rod	\$	Ref. Number	Desc.	Bore	Rod	\$
RHIA-121039	SEAL KIT	110.00	63.00	68.46	RHIA-330/1320	SEAL KIT	63.00	40.00	45.15
RHIA-330/0218	SEAL KIT	160.00	140.00	79.45	RHIA-330/1443	SEAL KIT	160.00	100.00	156.08
RHIA-330/0315	SEAL KIT	100.00		91.89	RHIA-330/1583	SEAL KIT	70.00	45.00	58.93
RHIA-330/0498	SEAL KIT	105.00		101.68	RHIA-330/1613	SEAL KIT	63.00	40.00	51.36
RHIA-330/0501	SEAL KIT	140.00	100.00	85.02	RHIA-542105	SEAL KIT	90.00	50.00	58.40
RHIA-330/0528	SEAL KIT	105.00		103.93	RHIA-542113	SEAL KIT	90.00	50.00	58.40
RHIA-330/0595	SEAL KIT	60.00	33.00	40.72	RHIA-542121	SEAL KIT	55.00	40.00	52.42
RHIA-330/0625	SEAL KIT		78.00	34.96	RHIA-542130	SEAL KIT	50.00	30.00	47.43
RHIA-330/0633	SEAL KIT	65, 100	32, 85	116.39	RHIA-542148	SEAL KIT	100.00		95.48
RHIA-330/0641	SEAL KIT	100.00	63.00	64.76	RHIA-542156	SEAL KIT	70.00	50.00	68.33
RHIA-330/0668	SEAL KIT	70, 105	40, 90	158.55	RHIA-607/2267	SEAL KIT	85.00	74.00	42.02
RHIA-330/0692	SEAL KIT	125.00	80.00	83.45	RHIA-622/1149	SEAL KIT	63.00	40.00	48.83
RHIA-330/0714	SEAL KIT	70.00	45.00	49.22	RHIA-622/1599	SEAL KIT	125.00	63.00	65.49
RHIA-330/0731	SEAL KIT	60, 92	35, 80	156.55	RHIA-622/1661	SEAL KIT	140.00	63.00	87.62
RHIA-330/0749	SEAL KIT	140.00	100.00	86.95	RHIA-622/1670	SEAL KIT	140.00	70.00	92.85
RHIA-330/0773	SEAL KIT	110.00	90.00	82.45	RHIA-622/1688	SEAL KIT	140.00	80.00	95.94
RHIA-330/0871	SEAL KIT	125.00	90.00	152.84	RHIA-622/2170	SEAL KIT	70, 105	32, 90	181.02
RHIA-330/0889	SEAL KIT	100.00	70.00	87.29	RHIA-711/4659	SEAL KIT	110.00	50.00	88.58
RHIA-330/0897	SEAL KIT	60.00	33.00	32.25	RHIA-711/4660	SEAL KIT	50.00	30.00	33.61
RHIA-330/0951	SEAL KIT	180.00	100.00	112.39	RHIA-711/5366	SEAL KIT	140.00	80.00	103.79
RHIA-330/1001	SEAL KIT	60.00	33.00	29.59	RHIA-711/5834	SEAL KIT	70.00	30.00	45.16
RHIA-330/1028	SEAL KIT	90.00	70.00	51.15	RHIA-712/4173	SEAL KIT	180.00	100.00	257.66
RHIA-330/1036	SEAL KIT	140.00	80.00	125.29	RHIA-712/4174	SEAL KIT	90.00	50.00	105.63
RHIA-330/1044	SEAL KIT	80.00	50.00	45.78	RHIA-825/2050	SEAL KIT	80.00	45.00	51.99
RHIA-330/1052	SEAL KIT	40.00	25.00	75.13	RHIA-872/8038	SEAL KIT	140.00	100.00	88.74
RHIA-330/1061	SEAL KIT	125.00	70.00	74.63	RHIA-872/8046	SEAL KIT	140.00	100.00	115.37
RHIA-330/1231	SEAL KIT	160.00	90.00	111.82	RHIA-872/8330	SEAL KIT	125.00	80.00	79.24
RHIA-330/1249	SEAL KIT	70.00	40.00	50.55	RHIA-872/8348	SEAL KIT	180.00	100.00	122.32
RHIA-330/1290	SEAL KIT	140.00	100.00	90.22	RHIA-872/8356	SEAL KIT	80.00	50.00	49.86
RHIA-330/1303	SEAL KIT	125.00	90.00	109.83	RHIA-995/0621	SEAL KIT	100.00		45.73
RHIA-330/1311	SEAL KIT	63.00	45.00	40.31	RHIA-995/9122	SEAL KIT	100.00		49.75

MOBILE SEAL KITS

HIAB

All manufacturer's names, part numbers and descriptions are used for reference purposes only. We do not imply that any part shown is the product of these manufacturers.

Tel.: (514) 334-2220  
Fax: (514) 333-8329

**KITS 307**

[www.sealsonline.com](http://www.sealsonline.com)



Original equipment Hitachi kits do not include the wear rings required to rebuild a cylinder.  
**The Hitachi kits listed in this catalog do include these wear rings.**

## HITACHI

## EXCAVATORS

Model	Application	Component	Cylinder Group	Serial Number	Bore	Rod	Ref. Number RHIT-	\$
<b>EX60</b>	ARM	SEAL KIT	4194433	10001-UP	100.00	60.00	4217003	182.78
		PISTON W.RING			100.00		4S00154	O/R
		ROD BUSHING			60.00		0331004	O/R
	BOOM	SEAL KIT	4194432	10001-UP	115.00	65.00	4217002	191.47
		PISTON W.RING			115.00		0225620	O/R
		ROD BUSHING			65.00		0330904	O/R
	BOOM ARM (OFFSET)	SEAL KIT	4215548	10001-UP	100.00	60.00	4217003	182.78
		PISTON W.RING			100.00		4S00154	O/R
		ROD BUSHING			60.00		0331004	O/R
	BOOM (SHORT REACH)	SEAL KIT	4225928	10001-UP	115.00	65.00	4217002	191.47
		PISTON W.RING			115.00		0225620	O/R
		ROD BUSHING			65.00		0330904	O/R
	BUCKET	SEAL KIT	4194434	10001-UP	90.00	55.00	4217004	157.10
		PISTON W.RING			90.00		4S00151	O/R
		ROD BUSHING			55.00		4004676	O/R
	BUCKET (SHORT REACH)	SEAL KIT	4225930	10001-UP	90.00	55.00	4217004	157.10
		PISTON W.RING			90.00		4S00151	O/R
		ROD BUSHING			55.00		4004676	O/R
	BLADE	SEAL KIT	4213543	10001-UP	90.00	55.00	4217004	157.10
		PISTON W.RING			90.00		4S00151	O/R
		ROD BUSHING			55.00		4004676	O/R
<b>EX60-2, EX60-3</b>	ARM	SEAL KIT	4272844	30001-UP	130.00	95.00	4369718	334.94
		PISTON W.RING			130.00		4S00153	O/R
		ROD BUSHING			95.00		0444706	O/R
	ARM (SHORT REACH)	SEAL KIT	4317388	30001-UP	100.00	95.00	4369719	338.11
		PISTON W.RING			100.00		4S00154	O/R
		ROD BUSHING			95.00		0444706	O/R
	ARM (OFFSET BOOM)	SEAL KIT	4295802	30001-UP	130.00	95.00	4369718	334.93
		PISTON W.RING			130.00		4S00153	O/R
		ROD BUSHING			95.00		0444706	O/R
	BOOM	SEAL KIT	4272843	30001-UP	115.00	65.00	4306444	292.80
		PISTON W.RING			115.00		0225620	O/R
		ROD BUSHING			65.00		0444607	O/R
	BOOM (OFFSET)	SEAL KIT	4290916	30001-UP	180.00	95.00	4369717	506.19
		PISTON W.RING			180.00		0333209	O/R
		ROD BUSHING			95.00		0444706	O/R
	BUCKET	SEAL KIT	4272845	30001-UP	130.00	95.00	4369718	334.93
		PISTON W.RING			130.00		0453512	O/R
		PISTON W.RING			130.00		0444609	O/R
	BUCKET (SHORT REACH)	ROD BUSHING	4317389	30001-UP	95.00	95.00	0453507	O/R
		SEAL KIT			130.00		4369716	334.93
		PISTON W.RING			130.00		4117955	O/R
		PISTON W.RING			130.00		4117954	O/R
		ROD BUSHING			95.00		0453507	O/R

All manufacturer's names, part numbers and descriptions are used for reference purposes only. We do not imply that any part shown is the product of these manufacturers.

INDUSTRIAL SEAL KITS

MOBILE SEAL KITS

HITACHI

Original equipment Hitachi kits do not include the wear rings required to rebuild a cylinder.  
**The Hitachi kits listed in this catalog do include these wear rings.**

## EXCAVATORS

## HITACHI

INDUSTRIAL  
SEAL KITS

MOBILE  
SEAL KITS

HITACHI

Model	Application	Component	Cylinder Group	Serial Number	Bore	Rod	Ref. Number RHIT-	\$
<b>EX60-5, EX80-5</b>	ARM (MONO BOOM)	SEAL KIT	4374946	050001-UP	130.00	95.00	4369718	331.86
		PISTON W.RING			130.00		4S00153	O/R
		ROD BUSHING			95.00		0444706	O/R
	ARM (OFFSET BOOM)	SEAL KIT	4388224	050001-UP	130.00	95.00	4415584	337.34
		PISTON W.RING			130.00		4S00153	O/R
		ROD BUSHING			95.00		0444706	O/R
	BUCKET	SEAL KIT	4374947	050001-UP	130.00	95.00	4369716	334.93
		PISTON W.RING			130.00		0453511	O/R
		ROD BUSHING			95.00		0453507	O/R
	OFFSET CYL.	SEAL KIT	4388223	050001-UP	180.00	95.00	4415585	513.93
		PISTON W.RING			180.00		0333209	O/R
		ROD BUSHING			95.00		0444706	O/R
<b>EX100</b>	ARM	SEAL KIT	4206335	20001-UP	105.00	75.00	4206343P	169.10
		PISTON W.RING			105.00		4S00139	O/R
		PISTON W.RING			105.00		4S00155	O/R
		ROD BUSHING			75.00		0310504	O/R
	BOOM	SEAL KIT	4206334 R	20001-UP	95.00	70.00	4206340P	180.62
		PISTON W.RING	4206457 L		95.00		4S00138	O/R
	BUCKET	PISTON W.RING	4206336	20001-UP	95.00	65.00	4S00152	O/R
		ROD BUSHING			70.00		0310304	O/R
		SEAL KIT			95.00		4206345P	178.25
		PISTON W.RING			95.00		4S00138	O/R
		PISTON W.RING			95.00		4S00152	O/R
		ROD BUSHING			65.00		0310604	O/R
<b>EX100-2</b>	ARM	SEAL KIT	4286746	30001-UP	105.00	75.00	4369889	206.78
		PISTON W.RING			105.00		0409608	O/R
		PISTON W.RING			105.00		4S00155	O/R
		ROD BUSHING			75.00		0310504	O/R
	BOOM	SEAL KIT	4286740 R	30001-UP	95.00	70.00	4369770	175.98
		PISTON W.RING	4286744 L		95.00		4S00138	O/R
	BUCKET	PISTON W.RING	4286736	30001-UP	95.00	65.00	4S00152	O/R
		ROD BUSHING			70.00		0310304	O/R
		SEAL KIT			95.00		4369766	169.46
		PISTON W.RING			95.00		4S00138	O/R
		PISTON W.RING			95.00		4S00152	O/R
		ROD BUSHING			65.00		0310604	O/R
	CLAMSHELL	SEAL KIT	4288744	30001-UP	115.00	75.00	4323935	273.81
		PISTON W.RING			115.00		4S00141	O/R
		PISTON W.RING			115.00		4S00157	O/R
		ROD BUSHING			75.00		0310504	O/R

All manufacturer's names, part numbers and descriptions are used for reference purposes only. We do not imply that any part shown is the product of these manufacturers.

Tel.: (905) 362-0889  
 Fax: (888) 238-1664

**KITS 309**

[www.sealsonline.com](http://www.sealsonline.com)

Original equipment Hitachi kits do not include the wear rings required to rebuild a cylinder.  
**The Hitachi kits listed in this catalog do include these wear rings.**

## HITACHI

## EXCAVATORS

Model	Application	Component	Cylinder Group	Serial Number	Bore	Rod	Ref. Number RHIT-	\$					
EX100-3	ARM	SEAL KIT	4286746	35001-UP	105.00	75.00	4369889	206.78					
		PISTON W.RING			105.00		0409608	O/R					
		PISTON W.RING			105.00		4S00155	O/R					
	ARM OFF SET BOOM	ROD BUSHING	4332717	35001-UP		75.00	0310504	O/R					
		SEAL KIT			105.00	4369889	206.78						
		PISTON W.RING			105.00	0409608	O/R						
		PISTON W.RING				4S00155	O/R						
		ROD BUSHING				75.00	0310504	O/R					
		SEAL KIT			4286740 R	35001-UP	95.00	70.00	4369770	175.98			
	BUCKET	BUCKET	PISTON W.RING	4286744 L	35001-UP	95.00	65.00	4S00138	O/R				
			PISTON W.RING			95.00		4S00152	O/R				
			ROD BUSHING					70.00	0310304	O/R			
SEAL KIT			4286736			95.00		65.00	4369766	169.46			
PISTON W.RING						95.00		4S00138	O/R				
PISTON W.RING						95.00		4S00152	O/R				
BUCKET OFF SET BOOM		ROD BUSHING	4332718	35001-UP		65.00	0310604	O/R					
		SEAL KIT			110.00	70.00	4369771	215.89					
		PISTON W.RING			110.00	4S00140	O/R						
		PISTON W.RING			110.00	4S00156	O/R						
		ROD BUSHING				70.00	0310304	O/R					
		SEAL KIT			4288744	35001-UP	115.00	75.00	4323935	273.81			
		PISTON W.RING			115.00	75.00	4S00141	O/R					
		PISTON W.RING			115.00		4S00157	O/R					
		ROD BUSHING					75.00	0310504	O/R				
		EX100-5			ARM		SEAL KIT	4314895	01001-UP	105.00	75.00	4379261	209.09
							PISTON W.RING			105.00		0666808	O/R
							PISTON W.RING			105.00		4S00155	O/R
ROD BUSHING			75.00	0310504		O/R							
BOOM	SEAL KIT		4312228 R	01001-UP	95.00	70.00	4379260	219.98					
	PISTON W.RING		4312229 L		95.00		0667108	O/R					
	BUCKET		PISTON W.RING	4316457	01001-UP	95.00	65.00	4S00152	O/R				
			ROD BUSHING					70.00	0310304	O/R			
SEAL KIT			95.00			65.00		4369766	169.46				
PISTON W.RING			95.00			0667108		O/R					
PISTON W.RING			95.00			4S00152		O/R					
ROD BUSHING						65.00		0310604	O/R				
CLAMSHELL		SEAL KIT	4288744			01001-UP		115.00	75.00	4323935	273.81		
		PISTON W.RING						115.00	4S00141	O/R			
	PISTON W.RING	115.00		4S00157	O/R								
	ROD BUSHING			75.00	0310504		O/R						

All manufacturer's names, part numbers and descriptions are used for reference purposes only. We do not imply that any part shown is the product of these manufacturers.

INDUSTRIAL  
SEAL KITS

MOBILE  
SEAL KITS

HITACHI

Original equipment Hitachi kits do not include the wear rings required to rebuild a cylinder.  
**The Hitachi kits listed in this catalog do include these wear rings.**

## EXCAVATORS

## HITACHI

INDUSTRIAL  
SEAL KITS

MOBILE  
SEAL KITS

HITACHI

Model	Application	Component	Cylinder Group	Serial Number	Bore	Rod	Ref. Number RHIT-	\$	
EX110-5	ARM	SEAL KIT	4314899	N/A	105.00	75.00	4379261	209.09	
		PISTON W.RING			105.00		0666808	O/R	
		PISTON W.RING			105.00		4S00155	O/R	
	BOOM	ROD BUSHING	4312228 R 4312229 L	N/A	95.00	75.00	0310504	O/R	
		SEAL KIT				70.00	4379260	219.98	
		PISTON W.RING				95.00	0667108	O/R	
		PISTON W.RING				95.00	4S00152	O/R	
		ROD BUSHING				70.00	0310304	O/R	
		SEAL KIT				95.00	4369766	169.46	
	BUCKET	PISTON W.RING				65.00	4094086	O/R	
PISTON W.RING		4065687					O/R		
ROD BUSHING		0310604					O/R		
ZX110	ARM	SEAL KIT	4428440	010001-UP	105.00	75.00	4448393	203.53	
		PISTON W.RING			105.00		0666808	O/R	
		PISTON W.RING			105.00		4S00155	O/R	
	BUCKET	ROD BUSHING	4428441	010001-UP	95.00	75.00	0310504	O/R	
		SEAL KIT				65.00	4448394	222.82	
		PISTON W.RING				95.00	0667108	O/R	
EX120, EX120-1	ARM	PISTON W.RING	4206338	15001-UP	95.00	80.00	4S00152	O/R	
		ROD BUSHING			65.00		0310604	O/R	
		SEAL KIT			115.00		4369893P	231.67	
	BOOM	PISTON W.RING	4206337 R 4206458 L	15001-UP	105.00	75.00	4S00141	O/R	
		PISTON W.RING					115.00	4S00157	O/R
		ROD BUSHING					80.00	0309304	O/R
		SEAL KIT					105.00	4206343P	169.10
		PISTON W.RING					105.00	4S00139	O/R
		PISTON W.RING					105.00	4S00155	O/R
BUCKET	ROD BUSHING	4206339	15001-UP	95.00	75.00	0310504	O/R		
	SEAL KIT				65.00	4206345P	178.25		
	PISTON W.RING				95.00	4S00138	O/R		
EX120-2	ARM	PISTON W.RING	4286460	30001-UP	95.00	80.00	4S00152	O/R	
		PISTON W.RING			110.00		0409009	O/R	
		ROD BUSHING			110.00		4S00156	O/R	
	BOOM	SEAL KIT	4286454 R 4286457 L	30001-UP	105.00	80.00	0309304	O/R	
		PISTON W.RING				70.00	4369772	230.26	
		PISTON W.RING				105.00	4S00139	O/R	

All manufacturer's names, part numbers and descriptions are used for reference purposes only. We do not imply that any part shown is the product of these manufacturers.

Tel.: (204) 783-9617  
 Fax: (204) 783-6091

**KITS 311**

[www.sealsonline.com](http://www.sealsonline.com)

Original equipment Hitachi kits do not include the wear rings required to rebuild a cylinder.  
**The Hitachi kits listed in this catalog do include these wear rings.**

## HITACHI

## EXCAVATORS

Model	Application	Component	Cylinder Group	Serial Number	Bore	Rod	Ref. Number RHIT-	\$		
	BUCKET	PISTON W.RING	4286736	30001-UP	105.00	70.00	4S00155	O/R		
		ROD BUSHING			0310304		O/R			
		SEAL KIT			4286739		193.36			
		PISTON W.RING			95.00	65.00	4S00138	O/R		
		PISTON W.RING			4S00152		O/R			
		ROD BUSHING			0310604		O/R			
<b>EX120-3</b>	ARM	SEAL KIT	4286460	40001-UP	110.00	80.00	4369892	194.50		
		PISTON W.RING			110.00		0409009	O/R		
		PISTON W.RING			110.00		4S00156	O/R		
	BOOM	ROD BUSHING	4286454 R	40001-UP	105.00	70.00	0309304	O/R		
		SEAL KIT					4286457 L	4369772	230.26	
		PISTON W.RING					105.00	4S00139	O/R	
	BUCKET	PISTON W.RING	4286736	40001-UP	105.00	70.00	4S00155	O/R		
		ROD BUSHING					0310304	O/R		
		SEAL KIT					4286736	4369766	169.46	
		PISTON W.RING					95.00	4S00138	O/R	
		PISTON W.RING					95.00	4S00152	O/R	
		ROD BUSHING					65.00	0310604	O/R	
CLAMSHELL	SEAL KIT	4288744	40001-UP	115.00	75.00	4323935	273.81			
	PISTON W.RING					115.00	4S00141	O/R		
	PISTON W.RING					115.00	4S00157	O/R		
	ROD BUSHING					75.00	0310504	O/R		
<b>EX120-5, EX130-5</b>	ARM	SEAL KIT	4317313	01001-UP	110.00	80.00	4364913	255.42		
		PISTON W.RING					9150150	110.00	0667008	O/R
		PISTON W.RING					110.00	4S00156	O/R	
	BOOM	ROD BUSHING	4317311 R	01001-UP	105.00	70.00	0309304	O/R		
		SEAL KIT					9150148 R	4364912	287.80	
		PISTON W.RING					105.00	0666808	O/R	
BUCKET	PISTON W.RING	4317312 L	01001-UP	105.00	70.00	4S00155	O/R			
	ROD BUSHING					9150149 L	0310304	O/R		
	SEAL KIT					4316357	4369766	169.46		
	PISTON W.RING					95.00	0667108	O/R		
	PISTON W.RING					95.00	4S00152	O/R		
	ROD BUSHING					65.00	0310604	O/R		
BUCKET	SEAL KIT	4396817	050001-UP	95.00	65.00	4403998	222.82			
	PISTON W.RING					4391975	95.00	0667108	O/R	
	PISTON W.RING					95.00	4S00152	O/R		
	ROD BUSHING					65.00	0310604	O/R		
CLAMSHELL	SEAL KIT	4288744	01001-UP	115.00	75.00	4323935	273.81			
		PISTON W.RING		115.00		4S00141	O/R			

All manufacturer's names, part numbers and descriptions are used for reference purposes only. We do not imply that any part shown is the product of these manufacturers.

INDUSTRIAL SEAL KITS

MOBILE SEAL KITS

HITACHI

Original equipment Hitachi kits do not include the wear rings required to rebuild a cylinder.  
**The Hitachi kits listed in this catalog do include these wear rings.**

## EXCAVATORS

## HITACHI

INDUSTRIAL  
SEAL KITS

MOBILE  
SEAL KITS

HITACHI

Model	Application	Component	Cylinder Group	Serial Number	Bore	Rod	Ref. Number RHIT-	\$
<b>ZX120, ZX130</b>		PISTON W.RING			115.00		4S00157	0/R
		ROD BUSHING				75.00	0310504	0/R
	ARM	SEAL KIT	4423852	06001-UP	115.00	80.00	4448396	265.38
		PISTON W.RING			115.00		0686405	0/R
	BOOM	PISTON W.RING			115.00		4S00157	0/R
		ROD BUSHING				80.00	0309304	0/R
SEAL KIT		4428436 R	06001-UP	105.00	70.00	4448395	211.38	
PISTON W.RING		4428437 L		105.00		0666808	0/R	
<b>ZX125</b>	BUCKET	PISTON W.RING			105.00		0310510	0/R
		ROD BUSHING				70.00	0310304	0/R
		SEAL KIT	4423853	06001-UP	100.00	70.00	4448397	317.81
		PISTON W.RING			100.00		0686707	0/R
		PISTON W.RING			100.00		0254908	0/R
		ROD BUSHING				70.00	0310304	0/R
	ARM	SEAL KIT	4428440	10001-UP	105.00	75.00	4448393	203.54
		PISTON W.RING			105.00		0666808	0/R
	BOOM	PISTON W.RING			105.00		4S00155	0/R
		ROD BUSHING				75.00	0310504	0/R
		SEAL KIT	4442657 R	10001-UP	105.00	70.00	4448395	211.38
		PISTON W.RING	4442721 L		105.00		0666808	0/R
<b>EX150</b>	BUCKET	PISTON W.RING			105.00		4S00155	0/R
		ROD BUSHING				70.00	0310304	0/R
		SEAL KIT	4428441	10001-UP	95.00	65.00	4448394	222.82
		PISTON W.RING			95.00		0667108	0/R
	ARM	PISTON W.RING			95.00		4S00152	0/R
		ROD BUSHING				65.00	0310604	0/R
		SEAL KIT	4216311	01001-UP	120.00	85.00	4369903P	294.07
		PISTON W.RING			120.00		4S00142	0/R
		PISTON W.RING			120.00		4S00158	0/R
		ROD BUSHING				85.00	0309004	0/R
BOOM	SEAL KIT	4216309 R	01001-UP	115.00	80.00	4369893P	231.67	
	PISTON W.RING	4216310 L		115.00		4S00141	0/R	
<b>EX150-5, EX160-5</b>	BUCKET	PISTON W.RING			115.00		4S00157	0/R
		ROD BUSHING				80.00	0309304	0/R
		SEAL KIT	4216312	01001-UP	115.00	80.00	4369893P	231.67
		PISTON W.RING			115.00		4S00141	0/R
		PISTON W.RING			115.00		4S00157	0/R
		ROD BUSHING				80.00	0309304	0/R
	ARM	SEAL KIT	4370784	01002-UP	115.00	85.00	4389720	293.75
		PISTON W.RING			115.00		0686405	0/R
		PISTON W.RING			115.00		4S00157	0/R
		ROD BUSHING				85.00	4272960	0/R
		SEAL KIT	4370782 R	01002-UP	110.00	80.00	4389719	312.59
		PISTON W.RING	4370783 L		110.00		0667008	0/R
BOOM	SEAL KIT							
	PISTON W.RING							

All manufacturer's names, part numbers and descriptions are used for reference purposes only. We do not imply that any part shown is the product of these manufacturers.

Tel.: (780) 414-1871  
 Fax: (780) 487-5419

**KITS 313**

[www.sealsonline.com](http://www.sealsonline.com)

Original equipment Hitachi kits do not include the wear rings required to rebuild a cylinder.  
**The Hitachi kits listed in this catalog do include these wear rings.**

## HITACHI

## EXCAVATORS

Model	Application	Component	Cylinder Group	Serial Number	Bore	Rod	Ref. Number RHIT-	\$		
	BUCKET	PISTON W.RING	4370785	01002-UP	110.00	75.00	4S00156	O/R		
		ROD BUSHING			80.00		0309304	O/R		
		SEAL KIT			105.00		4389721	415.19		
		PISTON W.RING			105.00	75.00	0666808	O/R		
		PISTON W.RING			105.00		4S00155	O/R		
		ROD BUSHING					0310504	O/R		
<b>EX200, EX200-1</b>	ARM	SEAL KIT	4180278	30001-30010	135.00	95.00	4206019P	346.27		
		PISTON W.RING			135.00		0309211	O/R		
		PISTON W.RING			135.00		4S00160	O/R		
		ROD BUSHING				0309204	O/R			
	ARM	SEAL KIT	4180278	30011-UP	135.00	95.00	4206019P	346.27		
			PISTON W.RING			135.00		0309211	O/R	
PISTON W.RING			135.00			4S00160		O/R		
ROD BUSHING						0309204		O/R		
BOOM		SEAL KIT	4180276 R	30001-UP	125.00	85.00	4206018P	234.46		
		PISTON W.RING	4180277 L		125.00		0309009	O/R		
		PISTON W.RING			125.00		0223713	O/R		
		ROD BUSHING			85.00		4272960	O/R		
BOOM		SEAL KIT	4223825 R	33005-UP	125.00	85.00	4206018P	234.46		
		PISTON W.RING	4223826L		125.00		0309009	O/R		
		PISTON W.RING			125.00		0223713	O/R		
BUCKET		ROD BUSHING	4180279	30001-UP	120.00	80.00	4272960	O/R		
		SEAL KIT					4206020P	260.75		
		PISTON W.RING					120.00	4S00142	O/R	
BUCKET (RIVER MAINT)		PISTON W.RING	4206692	30001-UP	120.00	80.00	4S00158	O/R		
		ROD BUSHING						0309304	O/R	
		SEAL KIT					100.00	4214721	328.01	
		PISTON W.RING					100.00	0326005	O/R	
		PISTON W.RING					100.00	0254908	O/R	
CLAMSHELL		ROD BUSHING	2024987	30001-UP	135.00	65.00	0310604	O/R		
		SEAL KIT					4214722	278.84		
		PISTON W.RING					135.00	0309211	O/R	
		PISTON W.RING					135.00	4S00160	O/R	
<b>EX200-2</b>	ARM	ROD BUSHING	4250226	60001-UP	130.00	95.00	4272960	O/R		
		SEAL KIT					4369914	320.97		
		PISTON W.RING					4286777	130.00	4S00144	O/R
	ARM (RIVER MAINT)	PISTON W.RING	4250226	60001-UP	130.00	95.00	95.00	4S00159	O/R	
		ROD BUSHING							0309204	O/R
		SEAL KIT						4250226	130.00	4369914
PISTON W.RING	4286777	130.00	4S00144	O/R						

All manufacturer's names, part numbers and descriptions are used for reference purposes only. We do not imply that any part shown is the product of these manufacturers.

INDUSTRIAL  
SEAL KITS

MOBILE  
SEAL KITS

HITACHI

Original equipment Hitachi kits do not include the wear rings required to rebuild a cylinder.  
**The Hitachi kits listed in this catalog do include these wear rings.**

## EXCAVATORS

## HITACHI

INDUSTRIAL  
SEAL KITS

MOBILE  
SEAL KITS

HITACHI

Model	Application	Component	Cylinder Group	Serial Number	Bore	Rod	Ref. Number RHIT-	\$
	BOOM	PISTON W.RING	4250223 R	60001-UP	130.00	85.00	4S00159	O/R
		ROD BUSHING			95.00		0309204	O/R
		SEAL KIT			120.00		4369901	261.18
	BUCKET	PISTON W.RING	4286771 R	60001-UP	120.00	85.00	4S00142	O/R
		PISTON W.RING	4250224 L		120.00		4S00158	O/R
		ROD BUSHING	4286775 L		85.00		4272960	O/R
		SEAL KIT	4250225		110.00		4369890	279.37
		PISTON W.RING	4286781		110.00		4S00140	O/R
		PISTON W.RING			110.00		4S00156	O/R
	BUCKET (RIVER MAINT)	ROD BUSHING	4287889	60001-UP	75.00	65.00	0310504	O/R
		SEAL KIT			95.00		4369766	169.46
		PISTON W.RING			4298371		95.00	4S00138
	CLAMSHELL	PISTON W.RING	4288743	60001-UP	95.00	65.00	4S00152	O/R
		ROD BUSHING			65.00		0310604	O/R
		SEAL KIT			125.00		4369902	373.72
		PISTON W.RING			125.00		C/W SEAL KIT	O/R
		ROD BUSHING				85.00	4272960	O/R
<b>EX200-3</b>	ARM	SEAL KIT	4314778	78001-UP	130.00	95.00	4369914	320.97
		PISTON W.RING			130.00		4S00144	O/R
		PISTON W.RING			130.00		4S00159	O/R
	BOOM	ROD BUSHING	4250223 R	78001-UP	95.00	85.00	0309204	O/R
		SEAL KIT			120.00		4369901	261.18
		PISTON W.RING			4250224 L		120.00	4S00142
	BUCKET	PISTON W.RING	4250225	78001-UP	120.00	85.00	4S00158	O/R
		ROD BUSHING			85.00		4272960	O/R
		SEAL KIT			110.00		4369890	279.37
		PISTON W.RING			110.00		4S00140	O/R
		PISTON W.RING			110.00		4S00156	O/R
		ROD BUSHING			75.00		0310504	O/R
BUCKET (RIVER MAINT)	SEAL KIT	4287889	78001-UP	95.00	65.00	4369766	169.46	
	PISTON W.RING			95.00		4S00138	O/R	
	PISTON W.RING			95.00		4S00152	O/R	
CLAMSHELL	ROD BUSHING	4288743	78001-UP	65.00	85.00	0310604	O/R	
	SEAL KIT			125.00		4369902	373.72	
	PISTON W.RING			125.00		C/W SEAL KIT	O/R	
		ROD BUSHING				85.00	4272960	O/R

All manufacturer's names, part numbers and descriptions are used for reference purposes only. We do not imply that any part shown is the product of these manufacturers.

Tel.: (403) 279-1871  
 Fax: (403) 279-1821

**KITS 315**

[www.sealsonline.com](http://www.sealsonline.com)



Original equipment Hitachi kits do not include the wear rings required to rebuild a cylinder.  
**The Hitachi kits listed in this catalog do include these wear rings.**

## HITACHI

## EXCAVATORS

Model	Application	Component	Cylinder Group	Serial Number	Bore	Rod	Ref. Number RHIT-	\$				
EX200-5	ARM	SEAL KIT	4372914	050001-UP	130.00	95.00	4364916	326.40				
		PISTON W.RING			130.00		0667409	O/R				
		PISTON W.RING			130.00		4S00159	O/R				
	BOOM	ROD BUSHING	4372912 R 4372913 L	050001-UP	120.00	95.00	0309204	O/R				
		SEAL KIT				120.00	4364915	270.31				
		PISTON W.RING				120.00	0667206	O/R				
		PISTON W.RING				120.00	4S00158	O/R				
		ROD BUSHING				85.00	4272960	O/R				
		SEAL KIT				4372915	050001-UP	110.00	75.00	4369890	279.37	
	BUCKET (RIVER MAINT)	PISTON W.RING	4371061 9152262	050001-UP	95.00	65.00	110.00	0667008	O/R			
		PISTON W.RING					110.00	4S00156	O/R			
		ROD BUSHING					75.00	0310504	O/R			
SEAL KIT		95.00					4369766	169.46				
PISTON W.RING		95.00					4S00138	O/R				
PISTON W.RING		95.00					4S00152	O/R				
CLAMSHELL	ROD BUSHING	4288743	050001-UP	125.00	65.00	0310604	O/R					
	SEAL KIT				125.00	4369902	373.72					
	PISTON W.RING ROD BUSHING				125.00	C/W SEAL KIT 4272960	O/R O/R					
ZX200	ARM	SEAL KIT	4385638	1000001-UP	135.00	95.00	4448399	432.82				
		PISTON W.RING			135.00		0789110	O/R				
		PISTON W.RING			135.00		4S00160	O/R				
	ARM (RIVER MAINT)	ROD BUSHING	4316930	1000001-UP	130.00	95.00	0309204	O/R				
		SEAL KIT				130.00	4364916	326.40				
		PISTON W.RING				130.00	0667409	O/R				
	BOOM	PISTON W.RING	4410244 R 4410247 L	1000001-UP	130.00	95.00	4S00159	O/R				
		ROD BUSHING				120.00	0309204	O/R				
		SEAL KIT				120.00	4448398	307.99				
		PISTON W.RING				120.00	0667206	O/R				
		PISTON W.RING				120.00	4S00158	O/R				
		ROD BUSHING				85.00	4272960	O/R				
	BUCKET	SEAL KIT	4385637	1000001-UP	115.00	80.00	115.00	4448400	277.04			
		PISTON W.RING					115.00	0686405	O/R			
		PISTON W.RING					115.00	4S00157	O/R			
		ROD BUSHING					80.00	0309304	O/R			
		SEAL KIT					4449579	1000001-UP	95.00	65.00	4369766	169.46
		PISTON W.RING					4371061	95.00	4S00138	O/R		
BUCKET (RIVER MAINT)	PISTON W.RING	9152262		95.00	65.00	4S00152	O/R					
	ROD BUSHING					0310604	O/R					

All manufacturer's names, part numbers and descriptions are used for reference purposes only. We do not imply that any part shown is the product of these manufacturers.

INDUSTRIAL  
SEAL KITS

MOBILE  
SEAL KITS

HITACHI

Original equipment Hitachi kits do not include the wear rings required to rebuild a cylinder.  
**The Hitachi kits listed in this catalog do include these wear rings.**

## EXCAVATORS

## HITACHI

Model	Application	Component	Cylinder Group	Serial Number	Bore	Rod	Ref. Number RHIT-	\$
EX220-1	ARM	SEAL KIT	9072876	05001-UP	145.00	100.00	4203831	325.08
		PISTON W.RING	9083747		145.00		4185247	0/R
		PISTON W.RING	9099001		145.00		4185249	0/R
	BOOM	ROD BUSHING	9073613	05001-UP	135.00	90.00	4284532	0/R
		SEAL KIT	ALL				4203830	300.62
		PISTON W.RING					4185246	0/R
		PISTON W.RING					4185248	0/R
		ROD BUSHING					4284533	0/R
	BUCKET	SEAL KIT	9072877	05001-UP	135.00	90.00	4203830	300.62
			PISTON W.RING	9083748		135.00	90.00	4185246
PISTON W.RING			9099002	4185248				0/R
ROD BUSHING			9073614	4284533				0/R
EX220-2	ARM	SEAL KIT	9101317	08001-UP	135.00	100.00	9103843	334.85
		PISTON W.RING	9104175				4185246	0/R
		PISTON W.RING	9177662				4252191	0/R
		ROD BUSHING	9103461				4272963	0/R
			9166812					0.00
		9178500		0.00				
	ARM (RIVER MAINT)	SEAL KIT	9110436	08001-UP	145.00	100.00	9113447	288.45
		PISTON W.RING	9111494				4185247	0/R
		PISTON W.RING					4194621	0/R
	ARM (RIVER MAINT)	ROD BUSHING				100.00	4272963	0/R
SEAL KIT		4308225	08001-UP	145.00	105.00	4369943	380.57	
PISTON W.RING		4322741		145.00		0492209	0/R	
BOOM	PISTON W.RING		08001-UP	125.00	90.00	0373413	0/R	
	ROD BUSHING					0373405	0/R	
	SEAL KIT	ALL				9103842	325.93	
	PISTON W.RING					4168234	0/R	
	PISTON W.RING					4253562	0/R	
BUCKET	BUCKET	ROD BUSHING			90.00	4272961	0/R	
		SEAL KIT	9101318	08001-UP	125.00	85.00	9103844	327.44
		PISTON W.RING	9104176		125.00		4168234	0/R
		PISTON W.RING	9103462		125.00		4253562	0/R
		ROD BUSHING	9166813			85.00	4272960	0/R
	BUCKET (RIVER MAINT)	SEAL KIT	4287889	08001-UP	95.00	65.00	4369766	169.46
		PISTON W.RING	4298371		95.00		4500138	0/R
		PISTON W.RING			95.00		4500152	0/R
		ROD BUSHING				65.00	0310604	0/R

All manufacturer's names, part numbers and descriptions are used for reference purposes only. We do not imply that any part shown is the product of these manufacturers.

**Tel.: (604) 278-6808**  
**Fax: (604) 278-6180**

**KITS 317**

**www.sealsonline.com**

INDUSTRIAL  
SEAL KITS

MOBILE  
SEAL KITS

HITACHI

Original equipment Hitachi kits do not include the wear rings required to rebuild a cylinder.  
**The Hitachi kits listed in this catalog do include these wear rings.**

## HITACHI

## EXCAVATORS

Model	Application	Component	Cylinder Group	Serial Number	Bore	Rod	Ref. Number RHIT-	\$	
EX220-3	ARM	SEAL KIT	ALL	10001-UP	135.00	100.00	9103843	334.85	
		PISTON W.RING			135.00		4185246	0/R	
		PISTON W.RING			135.00		4252191	0/R	
	ARM (RIVER MAINT)	ROD BUSHING					100.00	4272963	0/R
		SEAL KIT	4308225	10001-UP	145.00	105.00		4369943	380.57
		PISTON W.RING	4322741		145.00			0492209	0/R
		PISTON W.RING			145.00			0373413	0/R
		ROD BUSHING					105.00	0373405	0/R
		SEAL KIT	ALL	10001-UP	125.00	90.00		9103842	325.93
	BUCKET		PISTON W.RING			125.00		4168234	0/R
PISTON W.RING					125.00		4253562	0/R	
ROD BUSHING						90.00		4272961	0/R
BUCKET		SEAL KIT	9101318	10001-UP	125.00	85.00		9103844	327.44
		PISTON W.RING	9104176		125.00			4168234	0/R
		PISTON W.RING	9103462		125.00			4253562	0/R
		ROD BUSHING	9166813			85.00		4272960	0/R
BUCKET (RIVER MAINT)		SEAL KIT	4287889	10001-UP	95.00	65.00		4369766	169.46
		PISTON W.RING	4298371		95.00			4S00138	0/R
		PISTON W.RING			95.00			4S00152	0/R
		ROD BUSHING				65.00	0310604	0/R	
ZX225	ARM	SEAL KIT	4385638	1000001-UP	135.00	95.00	4448399	432.82	
		PISTON W.RING			135.00		0789110	0/R	
		PISTON W.RING			135.00			4S00160	0/R
		ROD BUSHING				95.00		0309204	0/R
	BOOM	SEAL KIT	4447827 R	1000001-UP	120.00	85.00		4448398	307.99
		PISTON W.RING	4447826 L		120.00			0667206	0/R
	BUCKET	PISTON W.RING			120.00			4S00158	0/R
		ROD BUSHING				85.00		4272960	0/R
		SEAL KIT	4385637	1000001-UP	115.00	80.00		4448400	277.04
		PISTON W.RING			115.00			0686405	0/R
		PISTON W.RING			115.00		4S00157	0/R	
		ROD BUSHING				80.00	0309304	0/R	
EX220-5, EX230-5	ARM	SEAL KIT	9104175	001001-UP	135.00	100.00	9178284	284.11	
		PISTON W.RING	9103461		135.00			4185246	0/R
		PISTON W.RING			135.00			4252191	0/R
		ROD BUSHING				100.00		4272963	0/R
	ARM (RIVER MAINT)	SEAL KIT	4380500	001001-UP	145.00	105.00		4369943	380.57
		PISTON W.RING			145.00			0492208	0/R
		PISTON W.RING			145.00			0492209	0/R
	BOOM	ROD BUSHING					105.00	0373405	0/R
		SEAL KIT	9104173 R	001001-UP	125.00	90.00		9178283	281.64
		PISTON W.RING	9103460 R		125.00			4168234	0/R
		PISTON W.RING	9104174 L		125.00		4253562	0/R	
		ROD BUSHING	9103460 L			90.00	4272961	0/R	

All manufacturer's names, part numbers and descriptions are used for reference purposes only. We do not imply that any part shown is the product of these manufacturers.

INDUSTRIAL  
SEAL KITS

MOBILE  
SEAL KITS

HITACHI

Original equipment Hitachi kits do not include the wear rings required to rebuild a cylinder.  
**The Hitachi kits listed in this catalog do include these wear rings.**

## EXCAVATORS

## HITACHI

INDUSTRIAL  
SEAL KITS

MOBILE  
SEAL KITS

HITACHI

Model	Application	Component	Cylinder Group	Serial Number	Bore	Rod	Ref. Number RHIT-	\$	
	BUCKET	SEAL KIT	9104176	001001-UP	125.00	85.00	9178294	287.76	
		PISTON W.RING	9103462		125.00		4168234	0/R	
		PISTON W.RING			125.00		4253562	0/R	
	BUCKET (RIVER MAINT)	ROD BUSHING					85.00	4272960	0/R
		SEAL KIT	4371061	001001-UP	95.00	65.00	4369766	169.46	
		PISTON W.RING			95.00		0310609	0/R	
PISTON W.RING				95.00		4S00152	0/R		
		ROD BUSHING				65.00	0310604	0/R	
<b>EX270</b>	ARM	SEAL KIT	9076106	05001-UP	150.00	105.00	9181752	425.90	
		PISTON W.RING	9083751		150.00		4171490	0/R	
		PISTON W.RING	9076764		150.00		4194622	0/R	
	BOOM	ROD BUSHING					105.00	4290509	0/R
		SEAL KIT	ALL	05001-UP	145.00	95.00	9181751	283.73	
		PISTON W.RING			145.00		4185247	0/R	
	BUCKET	PISTON W.RING				145.00		4194621	0/R
		ROD BUSHING					95.00	4284535	0/R
		SEAL KIT	9076107	05001-UP	145.00	95.00	9181751	283.73	
		PISTON W.RING	9083752		145.00		4185247	0/R	
		PISTON W.RING	9076765		145.00		4194621	0/R	
		ROD BUSHING					95.00	4284535	0/R
<b>EX270-5, EX280-5</b>	ARM	SEAL KIT	9161887	10001-UP	145.00	100.00	9180579	300.89	
		PISTON W.RING	9161896		145.00		4185247	0/R	
		PISTON W.RING			145.00		4194621	0/R	
	BOOM	ROD BUSHING					100.00	4272963	0/R
		SEAL KIT	9161885 R	10001-UP	135.00	95.00	9180587	273.37	
		PISTON W.RING	9161895 R		135.00		4185246	0/R	
	BUCKET	PISTON W.RING	9161886 L		135.00			4252191	0/R
		ROD BUSHING	9161895 L				95.00	4272962	0/R
		SEAL KIT	9161888	10001-UP	135.00	90.00	9180580	258.74	
		PISTON W.RING	9161897		135.00		4185246	0/R	
		PISTON W.RING			135.00		4252191	0/R	
		ROD BUSHING					90.00	4272961	0/R
<b>ZX270</b>	ARM	SEAL KIT	9186598	020001-UP	145.00	100.00	9180579	300.89	
		PISTON W.RING	9206323		145.00		4185247	0/R	
		PISTON W.RING			145.00		4194621	0/R	
	BOOM	ROD BUSHING					100.00	4272963	0/R
		SEAL KIT	9186596 R	020001-UP	135.00	95.00	9206355	431.46	
		PISTON W.RING	9206321 R		135.00		4185246	0/R	
	BUCKET	PISTON W.RING	9186597 L		135.00			4252191	0/R
		ROD BUSHING	9206322 L				95.00	4272962	0/R
		SEAL KIT	9186599	020001-UP	135.00	90.00	9180580	258.74	
		PISTON W.RING	9206324		135.00		4185246	0/R	
		PISTON W.RING			135.00		4252191	0/R	
		ROD BUSHING					90.00	4272961	0/R

All manufacturer's names, part numbers and descriptions are used for reference purposes only. We do not imply that any part shown is the product of these manufacturers.

Tel.: (418) 688-3202  
 Fax: (418) 688-4272

**KITS 319**

[www.sealsonline.com](http://www.sealsonline.com)

Original equipment Hitachi kits do not include the wear rings required to rebuild a cylinder.  
**The Hitachi kits listed in this catalog do include these wear rings.**

## HITACHI

## EXCAVATORS

Model	Application	Component	Cylinder Group	Serial Number	Bore	Rod	Ref. Number RHIT-	\$	
EX300	ARM	SEAL KIT	9076110	02001-UP	165.00	110.00	9078846	519.50	
		PISTON W.RING	9083755		165.00		4194624	O/R	
		PISTON W.RING	9076767		165.00		4194623	O/R	
	BOOM	ROD BUSHING					110.00	4284534	O/R
		SEAL KIT	9076108 R	02001-UP	145.00	100.00	9078845	325.08	
		PISTON W.RING	9083753 R		145.00		4185247	O/R	
		PISTON W.RING	9076766 R		145.00		4185249	O/R	
		ROD BUSHING	9076109 L				100.00	4272963	O/R
			9083754 L						
		9076766 L							
BUCKET	SEAL KIT	9076111	02001-UP	145.00	95.00	9078843	321.58		
	PISTON W.RING	9083756		145.00		4185247	O/R		
	PISTON W.RING	9076768		145.00		4185249	O/R		
	ROD BUSHING					95.00	4284535	O/R	
EX300-2	ARM	SEAL KIT	9124833	05001-UP	165.00	110.00	9123264	382.69	
		PISTON W.RING	9127654		165.00		4194624	O/R	
		PISTON W.RING			165.00		4194623	O/R	
		ROD BUSHING					110.00	4284534	O/R
	BOOM	SEAL KIT	9124831 R	05001-UP	145.00	100.00	9078845	325.08	
		PISTON W.RING	9127653 R		145.00		4185247	O/R	
	BUCKET	PISTON W.RING	9124832 L	05001-UP	145.00	100.00	4185249	O/R	
		ROD BUSHING	9127653 L				100.00	4272963	O/R
		SEAL KIT	9124834		145.00		95.00	9123265	247.94
PISTON W.RING		9127655	145.00		4185247		O/R		
PISTON W.RING			145.00		4185249		O/R		
ROD BUSHING					95.00		4284535	O/R	
EX300-3	ARM	SEAL KIT	9124833	07001-UP	165.00	110.00	9123264	382.69	
		PISTON W.RING	9127654		165.00		4194624	O/R	
		PISTON W.RING			165.00		4194623	O/R	
		ROD BUSHING					110.00	4284534	O/R
	BOOM	SEAL KIT	9124831 R	07001-UP	145.00	100.00	9078845	325.08	
		PISTON W.RING	9127653 R		145.00		4185247	O/R	
	BUCKET	PISTON W.RING	9124832 L	07001-UP	145.00	100.00	4185249	O/R	
		ROD BUSHING	9127653 L				100.00	4272963	O/R
		SEAL KIT	9124834		145.00		95.00	9123265	247.94
PISTON W.RING		9127655	145.00		4185247		O/R		
PISTON W.RING			145.00		4185249		O/R		
ROD BUSHING					95.00		4284535	O/R	
BUCKET (RIVER MAINT)	SEAL KIT	4326775	07001-UP	100.00	65.00	4369767	217.71		
	PISTON W.RING	4344576		100.00		0326005	O/R		
	PISTON W.RING			100.00		0254908	O/R		
	ROD BUSHING					65.00	0310604	O/R	

All manufacturer's names, part numbers and descriptions are used for reference purposes only. We do not imply that any part shown is the product of these manufacturers.

INDUSTRIAL SEAL KITS

MOBILE SEAL KITS

HITACHI

Original equipment Hitachi kits do not include the wear rings required to rebuild a cylinder.  
**The Hitachi kits listed in this catalog do include these wear rings.**

## EXCAVATORS

## HITACHI

Model	Application	Component	Cylinder Group	Serial Number	Bore	Rod	Ref. Number RHIT-	\$	
<b>EX300-5, EX330-5 EX350-5, EX370-5</b>	ARM	SEAL KIT	9170171	020001-UP	170.00	115.00	9180582	391.43	
		PISTON W.RING	9173705		170.00		4370063	O/R	
		PISTON W.RING			170.00		4370064	O/R	
	BOOM	ROD BUSHING					115.00	4370337	O/R
		SEAL KIT	9170169 R	020001-UP	150.00	105.00	9180581	378.20	
		PISTON W.RING	9173704 R		150.00		4171490	O/R	
		PISTON W.RING	9170170 L		150.00		4194622	O/R	
		ROD BUSHING	9173704 L			105.00	4383093	O/R	
		SEAL KIT	9170172		020001-UP	145.00	95.00	9175564	265.78
		PISTON W.RING	9173706		145.00		4185247	O/R	
		PISTON W.RING			145.00		4185249	O/R	
		ROD BUSHING				95.00	4284535	O/R	
<b>ZX330, ZX350, ZX370</b>	ARM	SEAL KIT	9206357	03001-UP	170.00	115.00	9180582	391.43	
		PISTON W.RING	9206360		170.00		4370063	O/R	
		PISTON W.RING			170.00		4370064	O/R	
	BOOM	ROD BUSHING					115.00	4370337	O/R
		SEAL KIT	9206356	03001-UP	150.00	105.00	9180581	378.20	
		PISTON W.RING	9206359		150.00		4171490	O/R	
BUCKET		PISTON W.RING			150.00		4194622	O/R	
		ROD BUSHING				105.00	4383093	O/R	
		SEAL KIT	9206358	03001-UP	145.00	95.00	9123265	247.94	
		PISTON W.RING	9206361		145.00		4185247	O/R	
		PISTON W.RING			145.00		4185249	O/R	
	ROD BUSHING					95.00	4284535	O/R	
<b>EX400</b>	ARM	SEAL KIT	4206480	02001-UP	190.00	130.00	4437964	445.55	
		PISTON W.RING	4236055		190.00		4S00091	O/R	
		PISTON W.RING	4248321		190.00		4S00080	O/R	
		ROD BUSHING					130.00	0353004	O/R
	ARM (LOADER)	SEAL KIT	4219778	02001-UP	170.00	115.00	4438758	405.94	
		PISTON W.RING	4256047		170.00		0352712	O/R	
	BOOM		PISTON W.RING			170.00		0259307	O/R
			ROD BUSHING				115.00	0352704	O/R
			SEAL KIT	ALL	02001-UP	170.00	115.00	4438758	405.94
			PISTON W.RING			170.00		4S00149	O/R
		PISTON W.RING		170.00			0259307	O/R	
		ROD BUSHING				115.00	0352704	O/R	
	SEAL KIT	4249748 R	02001-UP	170.00		115.00	4438758	405.94	
BOOM (LOADER)	PISTON W.RING	4256046 R		170.00			4S00149	O/R	
	PISTON W.RING	4249749 L		170.00		0259307	O/R		
BUCKET		ROD BUSHING	4256046 L			115.00	0352704	O/R	
		SEAL KIT	4206481	02001-UP	170.00	115.00	4438758	405.94	
		PISTON W.RING	4248322		170.00		4S00149	O/R	

All manufacturer's names, part numbers and descriptions are used for reference purposes only. We do not imply that any part shown is the product of these manufacturers.

**Tel.: (514) 334-2220**  
**Fax: (514) 333-8329**

**KITS 321**

**www.sealsonline.com**

INDUSTRIAL  
SEAL KITS

MOBILE  
SEAL KITS

HITACHI

Original equipment Hitachi kits do not include the wear rings required to rebuild a cylinder.  
**The Hitachi kits listed in this catalog do include these wear rings.**

## HITACHI

## EXCAVATORS

Model	Application	Component	Cylinder Group	Serial Number	Bore	Rod	Ref. Number RHIT-	\$
		PISTON W.RING	4236056		170.00		0259307	0/R
		ROD BUSHING				115.00	0352704	0/R
	BUCKET (LOADER)	SEAL KIT	4219780 R	02001-UP	150.00	115.00	4255532	324.74
		PISTON W.RING	4258811 R		150.00		0387305	0/R
		PISTON W.RING	4219781 L		150.00		0237220	0/R
		ROD BUSHING	4256051 L			115.00	0352704	0/R
	BUCKET (LONG ARM)	SEAL KIT	9099110	02001-UP	145.00	95.00	9181751	283.73
		PISTON W.RING	9076768		145.00		4185247	0/R
		PISTON W.RING			145.00		4185249	0/R
	LEVEL (LOADER)	ROD BUSHING				95.00	4284535	0/R
		SEAL KIT	4219779	02001-UP	170.00	115.00	4438758	405.94
		PISTON W.RING			170.00		0352712	0/R
		PISTON W.RING			170.00		0259307	0/R
		ROD BUSHING				115.00	0352704	0/R
	DUMP (LOADER)	SEAL KIT	4219782	02001-UP	100.00	65.00	4255533	199.78
		PISTON W.RING	4256054		100.00		0326005	0/R
		PISTON W.RING			100.00		0254908	0/R
		ROD BUSHING				65.00	0310604	0/R
<b>EX400-3</b>	ARM	SEAL KIT	4340512	05001-UP	190.00	130.00	4340621	456.58
		PISTON W.RING			190.00		C/W SEAL KIT	0/R
		ROD BUSHING				130.00	0353004	0/R
	ARM (LOADER)	SEAL KIT	4256047	05001-UP	170.00	115.00	4438758	405.94
		PISTON W.RING			170.00		4S00149	0/R
		PISTON W.RING			170.00		0259307	0/R
		ROD BUSHING				115.00	0352704	0/R
	BOOM (BACKHOE)	SEAL KIT	4340511	05001-UP	170.00	115.00	4438672	508.03
		PISTON W.RING			170.00		C/W SEAL KIT	0/R
		ROD BUSHING				115.00	0352704	0/R
	BOOM	SEAL KIT	4340511	500,105,161	170.00	115.00	4438672	508.03
		PISTON W.RING		516,305,165	170.00		C/W SEAL KIT	0/R
	BOOM (LOADER)	ROD BUSHING				115.00	0352704	0/R
		SEAL KIT	4256046	51,625,164	170.00	115.00	4438758	405.94
		PISTON W.RING			170.00		4S00149	0/R
		PISTON W.RING			170.00		0259307	0/R
		ROD BUSHING				115.00	0352704	0/R
	BUCKET	SEAL KIT	4340513	05001-UP	170.00	115.00	4438672	508.03
		PISTON W.RING	4391716		170.00		C/W SEAL KIT	0/R
		ROD BUSHING				115.00	0352704	0/R
	BUCKET (LOADER)	SEAL KIT	4258811 R	05001-UP	150.00	115.00	4255532	324.74
		PISTON W.RING	4256051 L		150.00		0387305	0/R
		PISTON W.RING			150.00		0237220	0/R
		ROD BUSHING				115.00	0352704	0/R

All manufacturer's names, part numbers and descriptions are used for reference purposes only. We do not imply that any part shown is the product of these manufacturers.

INDUSTRIAL SEAL KITS

MOBILE SEAL KITS

HITACHI

Original equipment Hitachi kits do not include the wear rings required to rebuild a cylinder.  
**The Hitachi kits listed in this catalog do include these wear rings.**

## EXCAVATORS

## HITACHI

INDUSTRIAL  
SEAL KITS

MOBILE  
SEAL KITS

HITACHI

Model	Application	Component	Cylinder Group	Serial Number	Bore	Rod	Ref. Number RHIT-	\$	
<b>EX400-5, EX450-5</b>	BUCKET (LONG ARM)	SEAL KIT	9127655	05001-UP	145.00	95.00	9123265	247.94	
		PISTON W.RING			145.00		4185247	0/R	
		PISTON W.RING			145.00		4185249	0/R	
	LEVEL (LOADER)	ROD BUSHING	4256049	05001-UP	170.00	115.00	95.00	4284535	0/R
		SEAL KIT					170.00	4438758	405.94
		PISTON W.RING					170.00	4S00149	0/R
		PISTON W.RING					170.00	0259307	0/R
		ROD BUSHING					115.00	0352704	0/R
	DUMP (LOADER)	SEAL KIT	4256054	05001-UP	100.00	65.00	4255533	199.78	
		PISTON W.RING					100.00	0326005	0/R
		PISTON W.RING					100.00	0254908	0/R
	<b>EX400-5, EX450-5</b>	ARM	ROD BUSHING	4340512	07001-UP	190.00	130.00	0310604	0/R
SEAL KIT			190.00					4340621	456.58
PISTON W.RING			190.00					C/W SEAL KIT	0/R
BOOM		ROD BUSHING	4340511	07001-UP	170.00	115.00	0353004	0/R	
		SEAL KIT					170.00	4438672	508.03
		PISTON W.RING					170.00	C/W SEAL KIT	0/R
<b>ZX450</b>	BUCKET	ROD BUSHING	4340513	07001-UP	170.00	115.00	0352704	0/R	
		SEAL KIT					170.00	4438672	508.03
		PISTON W.RING					170.00	C/W SEAL KIT	0/R
	BUCKET	ROD BUSHING	4391716	07001-UP	170.00	120.00	0450506	0/R	
		SEAL KIT					170.00	4438681	348.22
		PISTON W.RING					170.00	C/W SEAL KIT	0/R
	BUCKET (LONG ARM)	ROD BUSHING	9127655	07001-UP	145.00	95.00	120.00	0450506	0/R
		SEAL KIT					145.00	9123265	247.94
		PISTON W.RING					145.00	4185247	0/R
		PISTON W.RING					145.00	4185249	0/R
		ROD BUSHING					95.00	4284535	0/R
	<b>ZX450</b>	ARM	SEAL KIT	4340512	010001-UP	190.00	130.00	4438679	431.90
PISTON W.RING			190.00					0420307	0/R
PISTON W.RING			190.00					4S00080	0/R
ROD BUSHING			130.00					0353004	0/R
BOOM		SEAL KIT	9187754	010001-UP	170.00	115.00	9180582	391.43	
		PISTON W.RING					170.00	4370063	0/R
		PISTON W.RING					170.00	4370064	0/R
		ROD BUSHING					115.00	4370337	0/R
BUCKET		SEAL KIT	4391716	010001-UP	170.00	120.00	4438681	348.22	
		PISTON W.RING					170.00	0420109	0/R
		PISTON W.RING					170.00	0259307	0/R
		ROD BUSHING					120.00	0450506	0/R

All manufacturer's names, part numbers and descriptions are used for reference purposes only. We do not imply that any part shown is the product of these manufacturers.

Tel.: (905) 362-0889  
 Fax: (888) 238-1664

**KITS 323**

[www.sealsonline.com](http://www.sealsonline.com)



Original equipment Hitachi kits do not include the wear rings required to rebuild a cylinder.  
**The Hitachi kits listed in this catalog do include these wear rings.**

## HITACHI

## EXCAVATORS

Model	Application	Component	Cylinder Group	Serial Number	Bore	Rod	Ref. Number RHIT-	\$	
<b>EX550</b>	CYL.	SEAL KIT	4344048	010001-UP	130.00	65.00	4363078	242.72	
		PISTON W.RING			130.00		0657706	O/R	
		ROD BUSHING					0657704	O/R	
	ARM	SEAL KIT	4354803	01001-UP	200.00	140.00	4348854	1061.58	
		PISTON W.RING			200.00		C/W SEAL KIT	O/R	
		ROD BUSHING					0379806	O/R	
BOOM	SEAL KIT	4354802	01001-UP	180.00	125.00	4348853	771.51		
	PISTON W.RING			180.00		0643015	O/R		
	PISTON W.RING			180.00		0332708	O/R		
<b>EX550-3, EX600-3</b>	BUCKET	ROD BUSHING	4354804	01001-UP		125.00	0643006	O/R	
		SEAL KIT			180.00		4348855	1067.18	
		PISTON W.RING			4441575		180.00	0643015	O/R
		PISTON W.RING					180.00	0332708	O/R
	BUCKET (BE-ARM)	ROD BUSHING	4354830	01001-UP		130.00	0353004	O/R	
		SEAL KIT			190.00		4354824	637.13	
		PISTON W.RING			190.00		0420307	O/R	
		PISTON W.RING			190.00		4S00080	O/R	
	BUCKET (LONG ARM)	ROD BUSHING	4340513	01001-UP		130.00	0353004	O/R	
		SEAL KIT			170.00		4438672	508.03	
		PISTON W.RING			4391716		170.00	C/W SEAL KIT	O/R
		ROD BUSHING					115.00	0352704	O/R
<b>EX550-3, EX600-3</b>	ARM	SEAL KIT	4354803	02001-UP	180.00	140.00	4348854	1061.58	
		PISTON W.RING			180.00		C/W SEAL KIT	O/R	
		ROD BUSHING					140.00	0379806	O/R
	BOOM	SEAL KIT	4354802	02001-UP	180.00	125.00	4348853	771.51	
		PISTON W.RING			180.00		0643015	O/R	
		PISTON W.RING			180.00		0332708	O/R	
<b>EX550-5, EX600-5</b>	BUCKET	ROD BUSHING	4354804	02001-UP		125.00	0643006	O/R	
		SEAL KIT			180.00		4348855	1067.18	
		PISTON W.RING			4441575		180.00	0643015	O/R
		PISTON W.RING					180.00	0332708	O/R
	BUCKET (BE-ARM)	ROD BUSHING	4354830	02001-UP		130.00	0353004	O/R	
		SEAL KIT			190.00		4354824	637.13	
BUCKET (LONG ARM)	PISTON W.RING	4340513	02001-UP	190.00	115.00	0420307	O/R		
	PISTON W.RING			190.00		4S00080	O/R		
	ROD BUSHING					130.00	0353004	O/R	
	SEAL KIT			170.00		4438672	508.03		
<b>EX550-5, EX600-5</b>	BUCKET (LONG ARM)	PISTON W.RING	4391716	02001-UP	170.00	115.00	C/W SEAL KIT	O/R	
		ROD BUSHING					115.00	0352704	O/R
	ARM	SEAL KIT	4354803	03001-UP	180.00	140.00	4348854	1061.58	
		PISTON W.RING			180.00		C/W SEAL KIT	O/R	
BOOM	ROD BUSHING	4354802	03001-UP		140.00	0379806	O/R		
	SEAL KIT			180.00		4348853	771.51		
		PISTON W.RING			180.00	0643015	O/R		
		PISTON W.RING			180.00	0332708	O/R		

All manufacturer's names, part numbers and descriptions are used for reference purposes only. We do not imply that any part shown is the product of these manufacturers.

INDUSTRIAL SEAL KITS

MOBILE SEAL KITS

HITACHI

Original equipment Hitachi kits do not include the wear rings required to rebuild a cylinder.  
**The Hitachi kits listed in this catalog do include these wear rings.**

## EXCAVATORS

## HITACHI

INDUSTRIAL  
SEAL KITS

MOBILE  
SEAL KITS

HITACHI

Model	Application	Component	Cylinder Group	Serial Number	Bore	Rod	Ref. Number RHIT-	\$	
ZX600, ZX650	BUCKET	ROD BUSHING	4354804	03001-UP	180.00	125.00	0643006	0/R	
		SEAL KIT				4348855	1067.18		
		PISTON W.RING				0643015	0/R		
	BUCKET (BE-ARM)	PISTON W.RING	4354830	03001-UP	190.00	130.00	180.00	0332708	0/R
		ROD BUSHING					0353004	0/R	
		SEAL KIT					4354824	637.13	
		PISTON W.RING					0420307	0/R	
		PISTON W.RING					4S00080	0/R	
		ROD BUSHING					0353004	0/R	
	BUCKET (LONG ARM)	SEAL KIT	4340513	03001-UP	170.00	115.00	4438672	508.03	
		PISTON W.RING	4391716		170.00		C/W SEAL KIT	0/R	
		ROD BUSHING				115.00	0352704	0/R	
ZX600, ZX650	ARM	SEAL KIT	4354803	004001-UP	200.00	140.00	4438684	818.42	
		PISTON W.RING					0645008	0/R	
		PISTON W.RING					4S00098	0/R	
	BOOM	ROD BUSHING	4354802	004001-UP	180.00	140.00	140.00	0379806	0/R
		SEAL KIT					4438682	1085.14	
		PISTON W.RING					0643015	0/R	
EX700	BUCKET	PISTON W.RING	4441575	004001-UP	180.00	180.00	0332708	0/R	
		ROD BUSHING				140.00	0643006	0/R	
		SEAL KIT				180.00	4442368	657.54	
		PISTON W.RING				180.00	0643015	0/R	
		PISTON W.RING				180.00	0332708	0/R	
		ROD BUSHING				130.00	0353004	0/R	
	ARM (LOADER)	SEAL KIT	4243499	01003-F155	200.00	140.00	4291362	818.42	
		PISTON W.RING			200.00		4S00092	0/R	
		PISTON W.RING			200.00		4S00098	0/R	
	ARM (LOADER)	ROD BUSHING	4328130	F156-UP	200.00	140.00	140.00	0379806	0/R
		SEAL KIT					4291362	818.42	
		PISTON W.RING					4S00092	0/R	
ARM (BACKHOE)	PISTON W.RING	4218518	01003-UP	215.00	150.00	200.00	4S00098	0/R	
	ROD BUSHING					140.00	0379806	0/R	
	SEAL KIT					215.00	4436496	535.53	
	PISTON W.RING					215.00	0379912	0/R	
	PISTON W.RING					215.00	0379913	0/R	
	ROD BUSHING					150.00	0379905	0/R	
ARM (BACKHOE) (BE-ARM)	SEAL KIT	4253060	F001-UP	215.00	150.00	4436496	535.53		
	PISTON W.RING			215.00		0379912	0/R		
	PISTON W.RING			215.00		4S00162	0/R		
	ROD BUSHING				150.00	0379905	0/R		
BOOM	SEAL KIT	4328128 R	01003-01465	200.00	140.00	4438759	818.42		
	PISTON W.RING	4328129 L		200.00		4S00092	0/R		

All manufacturer's names, part numbers and descriptions are used for reference purposes only. We do not imply that any part shown is the product of these manufacturers.

**Tel.: (204) 783-9617**  
**Fax: (204) 783-6091**

**KITS 325**

**www.sealsonline.com**

Original equipment Hitachi kits do not include the wear rings required to rebuild a cylinder.  
**The Hitachi kits listed in this catalog do include these wear rings.**

## HITACHI

## EXCAVATORS

Model	Application	Component	Cylinder Group	Serial Number	Bore	Rod	Ref. Number RHIT-	\$
	BOOM	PISTON W.RING	4330435	01466-UP	200.00	140.00	4S00161	O/R
		ROD BUSHING			200.00		0379806	O/R
		SEAL KIT			200.00		4438759	818.42
	BOOM (LONG)	PISTON W.RING	4302057	01003-01465	200.00	140.00	4S00092	O/R
		PISTON W.RING			200.00		4S00098	O/R
		ROD BUSHING			200.00		0379806	O/R
		SEAL KIT			200.00		4438759	818.42
		PISTON W.RING			200.00		4S00092	O/R
		PISTON W.RING			200.00		4S00098	O/R
	BOOM (LONG)	ROD BUSHING	4330435	01466-UP	200.00	140.00	0379806	O/R
		SEAL KIT			200.00		4438759	1061.58
		PISTON W.RING			200.00		0340108	O/R
	BUCKET (LOADER)	PISTON W.RING	4243500	01003-F155	200.00	130.00	4199817	O/R
		ROD BUSHING			140.00		0379806	O/R
		SEAL KIT			180.00		4291368	657.54
	BUCKET (BACKHOE)	PISTON W.RING	4253061	F001-UP	180.00	130.00	0417609	O/R
		PISTON W.RING			180.00		0332708	O/R
		ROD BUSHING			130.00		0353004	O/R
	BUCKET (BACKHOE)	SEAL KIT	4253061	F001-UP	215.00	150.00	4436496	535.53
		PISTON W.RING			215.00		0379912	O/R
		PISTON W.RING			215.00		4S00162	O/R
	BUCKET (BACKHOE)	ROD BUSHING	4251780	01003-UP	150.00	130.00	0379905	O/R
		SEAL KIT			190.00		4256119	434.89
		PISTON W.RING			190.00		4S00091	O/R
	BUCKET (BACKHOE) (LONG ARM)	PISTON W.RING	4259576	01003-UP	190.00	130.00	4S00080	O/R
		ROD BUSHING			130.00		0353004	O/R
		SEAL KIT			180.00		4437965	615.48
	DUMP (LOADER)	PISTON W.RING	4243502	01003-UP	180.00	120.00	0417609	O/R
		PISTON W.RING			180.00		0332708	O/R
		ROD BUSHING			120.00		0450506	O/R
	LEVEL (LOADER)	SEAL KIT	4243502	01003-UP	130.00	80.00	4314461	290.94
		PISTON W.RING			130.00		0399306	O/R
		PISTON W.RING			130.00		4S00159	O/R
	LEVEL (LOADER)	ROD BUSHING	4243498	01003-UP	80.00	140.00	0309304	O/R
		SEAL KIT			200.00		4291362	818.42
		PISTON W.RING			200.00		4S00092	O/R
		PISTON W.RING			200.00		4S00098	O/R
	ZX800, ZX850	ROD BUSHING	4391311	006001-UP	140.00	170.00	0379806	O/R
		SEAL KIT			215.00		4436496	535.53
		PISTON W.RING			215.00		0702704	O/R
	BOOM	PISTON W.RING	4391320	006001-UP	215.00	140.00	0392305	O/R
		ROD BUSHING			170.00		0379905	O/R
		SEAL KIT			200.00		4438684	818.42
		PISTON W.RING			200.00		0645008	O/R

All manufacturer's names, part numbers and descriptions are used for reference purposes only. We do not imply that any part shown is the product of these manufacturers.

INDUSTRIAL SEAL KITS

MOBILE SEAL KITS

HITACHI

Original equipment Hitachi kits do not include the wear rings required to rebuild a cylinder.  
**The Hitachi kits listed in this catalog do include these wear rings.**

## EXCAVATORS

## HITACHI

Model	Application	Component	Cylinder Group	Serial Number	Bore	Rod	Ref. Number RHIT-	\$	
	BUCKET	PISTON W.RING	4439851	006001-UP	200.00	140.00	4S00098	0/R	
		ROD BUSHING			190.00		0379806	0/R	
		SEAL KIT			190.00		4438693	520.38	
	CYL. C/W LIFT	PISTON W.RING	4402168	006001-UP	190.00	140.00	0420307	0/R	
		PISTON W.RING			190.00		4S00080	0/R	
		ROD BUSHING			170.00		0379806	0/R	
		SEAL KIT			170.00		4405053	404.95	
		PISTON W.RING			170.00		0420109	0/R	
		PISTON W.RING			170.00		0259307	0/R	
<b>EX750-5, EX800H-5</b>	ARM (BACKHOE)	ROD BUSHING	4391311	F501-F522 F501-F593 F5001-F5159	215.00	150.00	0450506	0/R	
		SEAL KIT					215.00	4436496	535.53
		PISTON W.RING					215.00	0702704	0/R
		PISTON W.RING					215.00	4S00162	0/R
	ARM (LOADER)	ROD BUSHING	4330684	005001-UP	200.00	140.00	0379905	0/R	
		SEAL KIT					200.00	4291362	818.42
		PISTON W.RING					200.00	4S00092	0/R
		PISTON W.RING					200.00	4S00098	0/R
	BOOM	ROD BUSHING	4391320	005001-UP	200.00	140.00	0379806	0/R	
		SEAL KIT					200.00	4438684	818.42
		PISTON W.RING					200.00	0645008	0/R
		PISTON W.RING					200.00	4S00098	0/R
	BUCKET	PISTON W.RING	4391314	F501-F551 F5001-UP F501-UP	190.00	130.00	4S00098	0/R	
		ROD BUSHING					190.00	0379806	0/R
		SEAL KIT					190.00	4437964	445.55
		PISTON W.RING					190.00	0420307	0/R
		PISTON W.RING					190.00	4S00080	0/R
		ROD BUSHING					130.00	0353004	0/R
BUCKET (STD. ARM)	SEAL KIT	4391314	F552-UP	190.00	130.00	AT302757	520.38		
	PISTON W.RING					190.00	0420307	0/R	
	PISTON W.RING					190.00	4S00080	0/R	
	ROD BUSHING					130.00	0353004	0/R	
BUCKET (BE-ARM)	SEAL KIT	4391308	F501-UP	215.00	150.00	4436496	535.53		
	PISTON W.RING					215.00	0702704	0/R	
	BUCKET (LONG ARM)	PISTON W.RING	4430932	F501-F504	215.00	150.00	4S00162	0/R	
		ROD BUSHING					180.00	0379905	0/R
		SEAL KIT					180.00	4437965	615.48
		PISTON W.RING					180.00	0417609	0/R
		PISTON W.RING					180.00	0332708	0/R
		ROD BUSHING					120.00	0450506	0/R
BUCKET (LONG ARM)	SEAL KIT	4430933	F505-UP	180.00	120.00	4437965	615.48		
	PISTON W.RING					180.00	0417609	0/R	
	PISTON W.RING					180.00	0332708	0/R	
	ROD BUSHING					120.00	0450506	0/R	
BUCKET (LOADER)	SEAL KIT	4291366	005001-UP	180.00	130.00	4291368	657.54		
	PISTON W.RING					180.00	0417609	0/R	

All manufacturer's names, part numbers and descriptions are used for reference purposes only. We do not imply that any part shown is the product of these manufacturers.

**Tel.: (780) 414-1871**  
**Fax: (780) 487-5419**

**KITS 327**

**www.sealsonline.com**

INDUSTRIAL  
SEAL KITS

MOBILE  
SEAL KITS

HITACHI

Original equipment Hitachi kits do not include the wear rings required to rebuild a cylinder.  
**The Hitachi kits listed in this catalog do include these wear rings.**

## HITACHI

## EXCAVATORS

Model	Application	Component	Cylinder Group	Serial Number	Bore	Rod	Ref. Number RHIT-	\$
EX1000	LEVEL (LOADER)	PISTON W.RING	4291363	005001-UP	180.00	130.00	0332708	0/R
		ROD BUSHING			200.00		0353004	0/R
		SEAL KIT			140.00		4291362	818.42
	DUMP (LOADER)	PISTON W.RING	399301	005001-UP	200.00	140.00	4500092	0/R
		PISTON W.RING			200.00		4500098	0/R
		ROD BUSHING			140.00		0379806	0/R
	CYL. (C/W LIFTING)	SEAL KIT	4402168	005001-UP	130.00	80.00	4314461	290.94
		PISTON W.RING			130.00		0399306	0/R
		PISTON W.RING			130.00		4500159	0/R
	ARM (LOADER)	ROD BUSHING	4157138	F101-UP	170.00	120.00	0309304	0/R
		SEAL KIT			170.00		4405053	404.95
		PISTON W.RING			170.00		0420109	0/R
BOOM	PISTON W.RING	4157139	F101-UP	170.00	120.00	0259307	0/R	
	ROD BUSHING			120.00		0450506	0/R	
	SEAL KIT			225.00		4171991	608.42	
BUCKET (BACKHOE)	PISTON W.RING	4174020	F101-UP	225.00	150.00	0242713	0/R	
	ROD BUSHING			225.00		0242714	0/R	
	SEAL KIT			225.00		0242714	0/R	
DUMP (LOADER)	PISTON W.RING	4157143	F101-UP	240.00	150.00	0242704	0/R	
	PISTON W.RING			240.00		0242704	0/R	
	ROD BUSHING			240.00		0242704	0/R	
TILT (LOADER)	SEAL KIT	4157140	F101-UP	240.00	160.00	4171990	704.57	
	PISTON W.RING			240.00		0242311	0/R	
	PISTON W.RING			240.00		0242311	0/R	
CYL. LEVEL (LOADER)	PISTON W.RING	4157142	F101-UP	240.00	160.00	4171990	704.57	
	ROD BUSHING			240.00		0242311	0/R	
	SEAL KIT			240.00		0242312	0/R	
ARM (LOADER)	PISTON W.RING	4418083	1003-UP	190.00	160.00	0242304	0/R	
	ROD BUSHING			190.00		0242304	0/R	
	SEAL KIT			215.00		4436496	535.53	
ARM (BACKHOE)	PISTON W.RING	4243457	1003-UP	215.00	150.00	0379912	0/R	
	PISTON W.RING			215.00		0379913	0/R	
	ROD BUSHING			215.00		0379913	0/R	
ARM (BACKHOE)	SEAL KIT	4418088	1003-UP	260.00	180.00	0379905	0/R	
	PISTON W.RING			260.00		4278396	2140.32	
	PISTON W.RING			260.00		0400312	0/R	

All manufacturer's names, part numbers and descriptions are used for reference purposes only. We do not imply that any part shown is the product of these manufacturers.

INDUSTRIAL  
SEAL KITS

MOBILE  
SEAL KITS

HITACHI

Original equipment Hitachi kits do not include the wear rings required to rebuild a cylinder.  
**The Hitachi kits listed in this catalog do include these wear rings.**

## EXCAVATORS

## HITACHI

INDUSTRIAL  
SEAL KITS

MOBILE  
SEAL KITS

HITACHI

Model	Application	Component	Cylinder Group	Serial Number	Bore	Rod	Ref. Number RHIT-	\$
		PISTON W.RING			260.00		0400313	0/R
		ROD BUSHING				180.00	0400306	0/R
	ARM	SEAL KIT	4418094	1003-1126	260.00	180.00	4278396	2140.32
	(WORK VESSEL)	PISTON W.RING	4347877		260.00		0400312	0/R
		PISTON W.RING	4286967		260.00		0400313	0/R
		ROD BUSHING				180.00	0400306	0/R
	BOOM	SEAL KIT	4418082	1003-UP	230.00	160.00	4278395	1457.63
		PISTON W.RING	4243455		230.00		0400211	0/R
		PISTON W.RING			230.00		0400212	0/R
	BOOM	ROD BUSHING				160.00	0400204	0/R
	(WORK VESSEL)	SEAL KIT	4418093	103-1126	230.00	160.00	4278395	1457.63
		PISTON W.RING	4347876		230.00		0400211	0/R
		PISTON W.RING	4285966		230.00		0400212	0/R
		ROD BUSHING				160.00	0400204	0/R
	BUCKET	SEAL KIT	4418085 R	1003-UP	200.00	170.00	4278398	1117.64
	(LOADER)	PISTON W.RING	4243458 R		200.00		0379812	0/R
		PISTON W.RING	4418086 L		200.00		0340108	0/R
		ROD BUSHING	4243459 L			170.00	0379905	0/R
	BUCKET	SEAL KIT	4418097	1003-UP	190.00	130.00	4256119	434.89
	(WORK VESSEL)	PISTON W.RING	4298768		190.00		4500091	0/R
		PISTON W.RING			190.00		4500080	0/R
	BUCKET	ROD BUSHING				130.00	0353004	0/R
	(WORK VESSEL)	SEAL KIT	4418095	1129-UP	230.00	160.00	4278395	1457.63
		PISTON W.RING	4347878		230.00		0400211	0/R
		PISTON W.RING			230.00		0400212	0/R
		ROD BUSHING				160.00	0400204	0/R
	BUCKET	SEAL KIT	4418095	1003-1128	230.00	160.00	4278395	1457.63
	(WORK VESSEL)	PISTON W.RING	4347878		230.00		0400211	0/R
		PISTON W.RING	4286968		230.00		0400212	0/R
		ROD BUSHING				160.00	0400204	0/R
	BUCKET	SEAL KIT	4418092	1003-UP	190.00	130.00	4256119	434.89
	(BACKHOE)	PISTON W.RING	4298583		190.00		4500091	0/R
		PISTON W.RING			190.00		4500080	0/R
	BUCKET	ROD BUSHING				130.00	0353004	0/R
	(BACKHOE)	SEAL KIT	4418091	F101-UP	230.00	160.00	4278395	1457.63
		PISTON W.RING	4309171		230.00		0400211	0/R
		PISTON W.RING			230.00		0400212	0/R
		ROD BUSHING				160.00	0400204	0/R
	BUCKET	SEAL KIT	4418090	F101-UP	230.00	160.00	4278395	1117.64
	(BACKHOE)	PISTON W.RING	4255233		240.00		0336412	0/R
		PISTON W.RING			240.00		0242312	0/R
		ROD BUSHING				160.00	0496004	0/R
	BUCKET	SEAL KIT	4418089	F101-UP	230.00	160.00	4278395	1457.63
	(BACKHOE)	PISTON W.RING	4255232		230.00		0400211	0/R
		PISTON W.RING			230.00		0400212	0/R

All manufacturer's names, part numbers and descriptions are used for reference purposes only. We do not imply that any part shown is the product of these manufacturers.

Tel.: (403) 279-1871  
 Fax: (403) 279-1821

**KITS 329**

[www.sealsonline.com](http://www.sealsonline.com)

Original equipment Hitachi kits do not include the wear rings required to rebuild a cylinder.  
**The Hitachi kits listed in this catalog do include these wear rings.**

## HITACHI

## EXCAVATORS

Model	Application	Component	Cylinder Group	Serial Number	Bore	Rod	Ref. Number RHIT-	\$		
	DUMP (LOADER)	ROD BUSHING				160.00	0400204	O/R		
		SEAL KIT	4418087	1003-UP	140.00	85.00	4378931	347.81		
		PISTON W.RING	4243468		140.00		0400908	O/R		
	LEVEL (LOADER)		PISTON W.RING			140.00		0224108	O/R	
			ROD BUSHING				85.00	4272960	O/R	
			SEAL KIT	4418084	1003-UP	230.00	160.00	4278395	1457.63	
			PISTON W.RING	4243456		230.00		0400211	O/R	
			PISTON W.RING			230.00		0400212	O/R	
			ROD BUSHING				160.00	0400204	O/R	
EX1100-3	ARM (LOADER)	SEAL KIT	4418083	002001-UP	215.00	150.00	4436496	535.53		
		PISTON W.RING	4243457		215.00		0379912	O/R		
		PISTON W.RING			215.00		0379913	O/R		
	ARM (BACKHOE)		ROD BUSHING				150.00	0379905	O/R	
			SEAL KIT	4418088	002001-UP	260.00	180.00	4278396	2140.32	
			PISTON W.RING	4255231		260.00		0400312	O/R	
	ARM (WORK VESSEL)		PISTON W.RING			260.00		0400313	O/R	
			ROD BUSHING				180.00	0400306	O/R	
			SEAL KIT	4418094	002001-UP	260.00	180.00	4278396	2140.32	
				PISTON W.RING	4347877		260.00		0400312	O/R
				PISTON W.RING			260.00		0400313	O/R
				ROD BUSHING				180.00	0400306	O/R
	BOOM	SEAL KIT	4418082	002001-UP	230.00	160.00	4278395	1457.63		
		PISTON W.RING			230.00		0400211	O/R		
		PISTON W.RING			230.00		0400212	O/R		
		ROD BUSHING				160.00	0400204	O/R		
		BOOM (WORK VESSEL)	SEAL KIT	4418093	002001-UP	230.00	160.00	4278395	1457.63	
			PISTON W.RING	4347876		230.00		0400211	O/R	
	BUCKET (LOADER)		PISTON W.RING			230.00		0400212	O/R	
			ROD BUSHING				160.00	0400204	O/R	
			SEAL KIT	4418085 R	002001-UP	200.00	170.00	4278398	1117.64	
				PISTON W.RING	4243458 R		200.00		4S00092	O/R
				PISTON W.RING	4278065 L		200.00		4S00161	O/R
				ROD BUSHING	4278066 L			170.00	0379905	O/R
	BUCKET (WORK VESSEL) LONG	SEAL KIT	4418097	002001-UP	190.00	130.00	4256119	434.89		
		PISTON W.RING	4298768		190.00		4S00091	O/R		
		PISTON W.RING			190.00		0242512	O/R		
	BUCKET (WORK VESSEL) SEMI-LONG		ROD BUSHING				130.00	0353004	O/R	
			SEAL KIT	4418096	002001-UP	230.00	160.00	4278395	1457.63	
			PISTON W.RING	4347879		230.00		0400211	O/R	
	BUCKET (WORK VESSEL)		PISTON W.RING			230.00		0400212	O/R	
			ROD BUSHING				160.00	0400204	O/R	
			SEAL KIT	4418095	002001-UP	230.00	160.00	4278395	1457.63	
				PISTON W.RING	4347878		230.00		0400211	O/R
				PISTON W.RING			230.00		0400212	O/R
				ROD BUSHING				160.00	0400204	O/R

All manufacturer's names, part numbers and descriptions are used for reference purposes only. We do not imply that any part shown is the product of these manufacturers.

INDUSTRIAL SEAL KITS

MOBILE SEAL KITS

HITACHI

Original equipment Hitachi kits do not include the wear rings required to rebuild a cylinder.  
**The Hitachi kits listed in this catalog do include these wear rings.**

## EXCAVATORS

## HITACHI

Model	Application	Component	Cylinder Group	Serial Number	Bore	Rod	Ref. Number RHIT-	\$
	BUCKET (BACKHOE) LONG	SEAL KIT	4418092	002001-UP	190.00	130.00	4256119	434.89
		PISTON W.RING	4298583		190.00		4500091	0/R
		PISTON W.RING			190.00		4500080	0/R
	BUCKET (BACKHOE) SEMI-LONG	ROD BUSHING		F101-UP		130.00	0353004	0/R
		SEAL KIT	4418091		230.00	160.00	4278395	1457.63
		PISTON W.RING	4309171		230.00		0400211	0/R
		PISTON W.RING			230.00		0400212	0/R
	BUCKET (BACKHOE; BE)	ROD BUSHING		F101-UP		160.00	0400204	0/R
		SEAL KIT	4418090		240.00	170.00	4309996	1117.64
		PISTON W.RING	4255233		240.00		0336412	0/R
	BUCKET (BACKHOE)	PISTON W.RING		F101-UP	240.00		0242312	0/R
		ROD BUSHING			170.00	0496004	0/R	
		SEAL KIT	4418089		230.00	160.00	4278395	1457.63
	DUMP (LOADER)	PISTON W.RING	4255232	002001-UP	230.00		0400211	0/R
		PISTON W.RING			230.00		0400212	0/R
		ROD BUSHING			160.00	0400204	0/R	
	LEVEL	SEAL KIT	4418087	002001-UP	140.00	85.00	4378931	347.81
		PISTON W.RING	4243468		140.00		0400908	0/R
		PISTON W.RING			140.00		0244108	0/R
	(LOADER)	ROD BUSHING		002001-UP		85.00	4272960	0/R
		SEAL KIT	4418084		230.00	160.00	4278395	1457.63
		PISTON W.RING	4243456		230.00		0400211	0/R
	ARM (LOADER)	PISTON W.RING		001002-UP	230.00		0400212	0/R
		PISTON W.RING			230.00		0400212	0/R
		ROD BUSHING			160.00	0400204	0/R	
<b>EX1200</b>	ARM (LOADER)	SEAL KIT	4453176	001002-UP	215.00	170.00	4465647	771.51
		PISTON W.RING			215.00		0702704	0/R
		PISTON W.RING			215.00		0392306	0/R
		ROD BUSHING			170.00	0379905	0/R	
	ARM (BACKHOE)	SEAL KIT	4438244	001002-UP	260.00	180.00	4465632	2140.32
		PISTON W.RING			260.00		0809107	0/R
	BOOM	PISTON W.RING		001002-UP	260.00		0400313	0/R
		ROD BUSHING			180.00	0400306	0/R	
		SEAL KIT	4438246		230.00	160.00	4465641	1457.63
		PISTON W.RING			230.00		0781706	0/R
		PISTON W.RING			230.00		0400212	0/R
	BUCKET (BACKHOE) STD. ARM	ROD BUSHING		001002-UP		160.00	0400204	0/R
		SEAL KIT	4454760		230.00	160.00	4465638	1457.63
		PISTON W.RING			230.00		0400211	0/R
	BUCKET (BACKHOE)	PISTON W.RING		001002-UP	230.00		0400212	0/R
		PISTON W.RING			230.00		0400212	0/R
		ROD BUSHING			160.00	0400204	0/R	
	BUCKET (BACKHOE)	SEAL KIT	4438245	001002-UP	240.00		4465644	2010.60
		PISTON W.RING			240.00		0809405	0/R

All manufacturer's names, part numbers and descriptions are used for reference purposes only. We do not imply that any part shown is the product of these manufacturers.

**Tel.: (604) 278-6808**  
**Fax: (604) 278-6180**

**KITS 331**

**www.sealsonline.com**

INDUSTRIAL  
SEAL KITS

MOBILE  
SEAL KITS

HITACHI



Original equipment Hitachi kits do not include the wear rings required to rebuild a cylinder.  
**The Hitachi kits listed in this catalog do include these wear rings.**

## HITACHI

## EXCAVATORS

Model	Application	Component	Cylinder Group	Serial Number	Bore	Rod	Ref. Number RHIT-	\$
	BE;ARM	PISTON W.RING			240.00		0242312	O/R
		ROD BUSHING					4392642	O/R
	BUCKET	SEAL KIT	4453178	001002-UP	200.00	170.00	4465650	1702.38
	(LOADER)	PISTON W.RING	4453177		200.00		0645008	O/R
		PISTON W.RING			200.00		4199817	O/R
		ROD BUSHING				170.00	0379905	O/R
	DUMP	SEAL KIT	4453179	001002-UP	140.00	85.00	4465653	347.81
	(LOADER)	PISTON W.RING			140.00		0812305	O/R
		PISTON W.RING			140.00		0224108	O/R
	LEVEL	ROD BUSHING				85.00	0309004	O/R
	(LOADER)	SEAL KIT	4453180	001002-UP	230.00	160.00	4465641	1457.63
		PISTON W.RING			230.00		0781706	O/R
		PISTON W.RING			230.00		0400212	O/R
		ROD BUSHING				160.00	0400204	O/R
<b>EX-1800</b>	ARM	SEAL KIT	4179437	001001-UP	240.00	180.00	4221869	1457.63
	(LOADER)	PISTON W.RING	4284305		240.00		0336412	O/R
		PISTON W.RING			240.00		0242312	O/R
		ROD BUSHING				180.00	0336404	O/R
	ARM	SEAL KIT	4284470	001001-UP	250.00	170.00	4301079	2102.20
	(BACKHOE)	PISTON W.RING	4199292		250.00		0339707	O/R
	BOOM	PISTON W.RING			250.00		4199809	O/R
		ROD BUSHING				170.00	0336604	O/R
		SEAL KIT	4179436	001001-UP	280.00	200.00	4221868	1925.59
		PISTON W.RING	4282905		280.00		0317715	O/R
		PISTON W.RING			280.00		4199801	O/R
		ROD BUSHING				200.00	0317704	O/R
	BUCKET	SEAL KIT	4199293	ALL	200.00	150.00	4301078	1671.85
	(BACKHOE)	PISTON W.RING	4286428		200.00		0340108	O/R
		PISTON W.RING	4205661		200.00		4199817	O/R
		ROD BUSHING	4286427			150.00	0340104	O/R
	BUCKET	SEAL KIT	ALL	ALL	225.00	170.00	4221871	1305.17
	(LOADER)	PISTON W.RING			225.00		0317409	O/R
	DUMP	PISTON W.RING			225.00		0242714	O/R
	(LOADER)	ROD BUSHING				170.00	0336604	O/R
		SEAL KIT	4179441	001001-UP	190.00	110.00	4221872	636.66
		PISTON W.RING	4248484		190.00		0336808	O/R
		PISTON W.RING	4301778		190.00		0242512	O/R
		ROD BUSHING	4306628			110.00	0336804	O/R
	LEVEL	SEAL KIT	4275749	001001-UP	280.00	200.00	4221868	1925.59
	(LOADER)	PISTON W.RING	4255787		280.00		0317715	O/R
		PISTON W.RING	4179438		280.00		4199801	O/R
		ROD BUSHING				200.00	0317704	O/R

All manufacturer's names, part numbers and descriptions are used for reference purposes only. We do not imply that any part shown is the product of these manufacturers.

INDUSTRIAL  
SEAL KITS

MOBILE  
SEAL KITS

HITACHI

Original equipment Hitachi kits do not include the wear rings required to rebuild a cylinder.  
**The Hitachi kits listed in this catalog do include these wear rings.**

## EXCAVATORS

## HITACHI

INDUSTRIAL  
SEAL KITS

MOBILE  
SEAL KITS

HITACHI

Model	Application	Component	Cylinder Group	Serial Number	Bore	Rod	Ref. Number RHIT-	\$	
EX1800-2	ARM (LOADER)	SEAL KIT	4284305	F057-F096	240.00	180.00	4221869	1457.63	
		PISTON W.RING	4179437	F001-F056	240.00		0336412	O/R	
		PISTON W.RING	4339992	F097-UP	240.00		0242312	O/R	
	BOOM	ROD BUSHING					180.00	0336404	O/R
		SEAL KIT	4282905	ALL		280.00	200.00	4221868	1925.59
		PISTON W.RING	4179436			280.00		0317715	O/R
		PISTON W.RING	4337259			280.00		4199801	O/R
		ROD BUSHING	4360217				200.00	0317704	O/R
		SEAL KIT	4199292	F001-F002		250.00	170.00	4301079	2102.20
	EX1800-3	(BACKHOE)	PISTON W.RING		F001-F016	250.00		0339709	O/R
			PISTON W.RING			250.00		4199809	O/R
			ROD BUSHING				170.00	0336604	O/R
BUCKET (LOADER)		SEAL KIT	ALL	F002-F051	225.00	170.00		4221871	1305.17
		PISTON W.RING		F052-F059	225.00			0317409	O/R
		PISTON W.RING		F060-UP	225.00			0242714	O/R
BUCKET (BACKHOE)		ROD BUSHING					170.00	0336604	O/R
		SEAL KIT	ALL	F001-F019	200.00	150.00		4301078	1671.85
		PISTON W.RING		F020-UP	200.00			0340108	O/R
DUMP (LOADER)		PISTON W.RING		F001-UP	200.00			4199817	O/R
		ROD BUSHING					150.00	0340104	O/R
		SEAL KIT	4179441	ALL		190.00	110.00	4221872	636.66
EX1800-3	ARM (LOADER)	PISTON W.RING	4248484		190.00		0336808	O/R	
		PISTON W.RING	4301778		190.00		0242512	O/R	
		ROD BUSHING	4306628			110.00	0336804	O/R	
	LEVEL (LOADER)	SEAL KIT	4275749	F052-UP	280.00	200.00		4221868	1925.59
		PISTON W.RING	4179438	F001-F041	280.00			0317715	O/R
		PISTON W.RING	4242787	F042-F051	280.00			4199801	O/R
EX1800-3	ARM (LOADER)	ROD BUSHING				200.00	0317704	O/R	
		SEAL KIT	4339992	000501-UP	240.00	180.00	4221869	1457.63	
		PISTON W.RING			240.00			0336412	O/R
		PISTON W.RING			240.00			0242312	O/R
	ARM (BACKHOE) 4.0M/3.6M	ROD BUSHING					180.00	0336404	O/R
		SEAL KIT	4284470	000501-UP	250.00	170.00		4325945	1221.08
		PISTON W.RING	4364958		250.00			0339707	O/R
		PISTON W.RING			250.00			4199809	O/R
		ROD BUSHING				170.00		0336604	O/R
		SEAL KIT	4360217	000501-UP	280.00	200.00		4221868	1925.59
	BOOM	PISTON W.RING	4337259			280.00		0317715	O/R
		PISTON W.RING				280.00		4199801	O/R
ROD BUSHING						200.00	0317704	O/R	
SEAL KIT		4287110	000501-UP	225.00	170.00		4221871	1305.17	
PISTON W.RING				225.00			0317409	O/R	
PISTON W.RING				225.00			0242714	O/R	
BUCKET (LOADER)	ROD BUSHING					170.00	0336604	O/R	

All manufacturer's names, part numbers and descriptions are used for reference purposes only. We do not imply that any part shown is the product of these manufacturers.

Tel.: (418) 688-3202  
 Fax: (418) 688-4272

**KITS 333**

[www.sealsonline.com](http://www.sealsonline.com)

Original equipment Hitachi kits do not include the wear rings required to rebuild a cylinder.  
**The Hitachi kits listed in this catalog do include these wear rings.**

## HITACHI

## EXCAVATORS

Model	Application	Component	Cylinder Group	Serial Number	Bore	Rod	Ref. Number RHIT-	\$	
EX1900-5	BUCKET (BACKHOE)	SEAL KIT	4287111	000501-UP	200.00	150.00	4301078	1671.85	
		PISTON W.RING	4222970		200.00		0340108	0/R	
		PISTON W.RING			200.00		4199817	0/R	
	DUMP (LOADER)	ROD BUSHING	4306628	000501-UP	190.00	150.00	0340104	0/R	
		SEAL KIT				110.00	4221872	636.66	
		PISTON W.RING				190.00	0336808	0/R	
		PISTON W.RING				190.00	0242512	0/R	
		ROD BUSHING				110.00	0336804	0/R	
	LEVEL (LOADER)	SEAL KIT	4275749	000501-UP	280.00	200.00	4221868	1925.59	
	EX1900-5	(LOADER)	PISTON W.RING			280.00	200.00	0317715	0/R
			PISTON W.RING			280.00		4199801	0/R
			ROD BUSHING					0317704	0/R
ARM (LOADER)		SEAL KIT	4463376	000101-UP	240.00	180.00	4475378	2123.37	
ARM (BACKHOE)		PISTON W.RING	4456955	000101-UP	240.00	180.00	0809405	0/R	
		PISTON W.RING			240.00		0242312	0/R	
	ROD BUSHING				0400306		0/R		
EX1900-5	BOOM	SEAL KIT	4474729	000101-UP	250.00	200.00	4475376	2206.19	
		PISTON W.RING	4456959		250.00		0706705	0/R	
		PISTON W.RING			250.00		4199809	0/R	
		ROD BUSHING					4392642	0/R	
		SEAL KIT			280.00		4475375	2005.36	
		PISTON W.RING			280.00		0706410	0/R	
	BUCKET (LOADER)	PISTON W.RING	4287110	000101-UP	280.00	200.00	4199801	0/R	
		PISTON W.RING						0317704	0/R
		ROD BUSHING						4221871	1305.17
		SEAL KIT					225.00	0317409	0/R
		PISTON W.RING					225.00	0242714	0/R
		PISTON W.RING					225.00	0336604	0/R
BUCKET (BACKHOE)	SEAL KIT	4456420	000101-UP	200.00	170.00	4475377	1727.03		
	PISTON W.RING	4456419		200.00		0645008	0/R		
	DUMP (LOADER)	PISTON W.RING	4306628	000101-UP	200.00	170.00	4199817	0/R	
		ROD BUSHING					0379905	0/R	
		SEAL KIT			190.00	110.00	4221872	636.66	
		PISTON W.RING			190.00		0336808	0/R	
LEVEL (LOADER)	PISTON W.RING	4463378	000101-UP	190.00	110.00	0242512	0/R		
	PISTON W.RING					0336804	0/R		
	ROD BUSHING					4475375	2005.36		
	SEAL KIT				280.00	200.00	0706410	0/R	
LEVEL (LOADER)	PISTON W.RING			280.00	200.00	4199801	0/R		
	PISTON W.RING			280.00		0317705	0/R		
	ROD BUSHING								

All manufacturer's names, part numbers and descriptions are used for reference purposes only. We do not imply that any part shown is the product of these manufacturers.

INDUSTRIAL  
SEAL KITS

MOBILE  
SEAL KITS

HITACHI

Original equipment Hitachi kits do not include the wear rings required to rebuild a cylinder.  
**The Hitachi kits listed in this catalog do include these wear rings.**

## EXCAVATORS

## HITACHI

Model	Application	Component	Cylinder Group	Serial Number	Bore	Rod	Ref. Number RHIT-	\$	
EX2500	ARM (LOADER)	SEAL KIT	4353409	000103-UP	280.00	200.00	4407490	2447.64	
		PISTON W.RING	4402129		280.00		0706410	0/R	
		PISTON W.RING			280.00		4199801	0/R	
		ROD BUSHING					4292355	0/R	
	ARM (BACKHOE)	SEAL KIT	4391222	000103-UP	280.00	200.00	4392644	2447.64	
		PISTON W.RING	4391223		280.00		0706410	0/R	
		PISTON W.RING			280.00		4199801	0/R	
		ROD BUSHING					0317704	0/R	
	ARM (BACKHOE)	BOOM	SEAL KIT	4402135	000103-UP	280.00	200.00	4407493	2345.72
			PISTON W.RING			280.00		0706410	0/R
			PISTON W.RING			280.00		4199801	0/R
			ROD BUSHING					0317704	0/R
BUCKET (LOADER)		SEAL KIT	4402128	000103-UP		200.00	4407489	0/R	
		PISTON W.RING	4402134		0705713		0/R		
		PISTON W.RING	4353407		0705714		0/R		
		ROD BUSHING	4384311		4392641		0/R		
BUCKET (LOADER)		SEAL KIT	4402131	000103-UP	250.00	180.00	4407491	2065.36	
		PISTON W.RING	4402132		250.00		0706705	0/R	
		PISTON W.RING	4353412		250.00		4199809	0/R	
		ROD BUSHING	4353411				0400306	0/R	
ARM (BACKHOE)	DUMP (LOADER)	SEAL KIT	4384313	000103-UP	230.00	170.00	4389075	1227.99	
		PISTON W.RING	4402137		230.00		0400211	0/R	
		PISTON W.RING			230.00		0400212	0/R	
		ROD BUSHING					4392642	0/R	
	LEVEL (LOADER)	SEAL KIT	4353413	000103-UP	215.00	130.00	4407492	0/R	
		PISTON W.RING	4402133		215.00		0702704	0/R	
		PISTON W.RING			215.00		0392306	0/R	
		ROD BUSHING					0353004	0/R	
	EX3500	ARM (LOADER)	SEAL KIT	4353410	000103-UP		130.00	4407489	0/R
			PISTON W.RING	4402130		0705713		0/R	
			PISTON W.RING			0705714		0/R	
			ROD BUSHING			4392641		0/R	
ARM (BACKHOE)		SEAL KIT	4190753	000101-UP	300.00	220.00	4241175	2065.36	
		PISTON W.RING	4290662		300.00		0317315	0/R	
		PISTON W.RING	4287112		300.00		0317316	0/R	
		ROD BUSHING					0317304	0/R	
BOOM		SEAL KIT	4235573	000101-UP	300.00	220.00	4240174	2065.36	
		PISTON W.RING	4287121		300.00		0317315	0/R	
		PISTON W.RING			300.00		0317316	0/R	
		ROD BUSHING					0317304	0/R	
BOOM	SEAL KIT	4260526	000101-UP	360.00	260.00	4210675	2692.32		
	PISTON W.RING	4190751		360.00		0317216	0/R		
	PISTON W.RING			360.00		0317217	0/R		
	ROD BUSHING					0317204	0/R		

All manufacturer's names, part numbers and descriptions are used for reference purposes only. We do not imply that any part shown is the product of these manufacturers.

Tel.: (514) 334-2220  
 Fax: (514) 333-8329

**KITS 335**

[www.sealsonline.com](http://www.sealsonline.com)

INDUSTRIAL  
SEAL KITS

MOBILE  
SEAL KITS

HITACHI

Original equipment Hitachi kits do not include the wear rings required to rebuild a cylinder.  
**The Hitachi kits listed in this catalog do include these wear rings.**

## HITACHI

## EXCAVATORS

Model	Application	Component	Cylinder Group	Serial Number	Bore	Rod	Ref. Number RHIT-	\$	
EX3500-2	BUCKET (LOADER)	SEAL KIT	ALL	000101-UP	280.00	200.00	4210678	1925.59	
		PISTON W.RING			280.00		0317715	0/R	
		PISTON W.RING			280.00		4199801	0/R	
	BUCKET (BACKHOE)	ROD BUSHING					200.00	0317704	0/R
		SEAL KIT	4235574	000101-UP	250.00	180.00		4240175	2065.36
		PISTON W.RING	4287123		250.00			0339709	0/R
		PISTON W.RING			250.00			4199809	0/R
	DUMP (LOADER)	ROD BUSHING					180.00	0336404	0/R
		SEAL KIT	ALL	000101-UP	225.00	130.00		4210676	938.29
	LEVEL (LOADER)	PISTON W.RING				225.00		0317409	0/R
		PISTON W.RING				225.00		0242714	0/R
		ROD BUSHING					130.00	0317404	0/R
SEAL KIT		4190752	000101-UP	360.00	260.00		4210675	2692.32	
PISTON W.RING		4269005		360.00			0317216	0/R	
PISTON W.RING		4289731		360.00			0317217	0/R	
ARM (LOADER)	ROD BUSHING					260.00	0317204	0/R	
	SEAL KIT	4190753	000201-UP	300.00	220.00		4241175	2065.36	
	PISTON W.RING	4290662		300.00			0317315	0/R	
	PISTON W.RING	4287112		300.00			0317316	0/R	
ARM (BACKHOE)	ROD BUSHING	4354550				220.00	0317304	0/R	
	SEAL KIT	ALL	000201-UP	300.00	220.00		4240174	2065.36	
BOOM (WORK VESSEL)	PISTON W.RING				300.00		0317315	0/R	
	PISTON W.RING				300.00		0317316	0/R	
	ROD BUSHING					220.00	0317304	0/R	
BOOM (LOADER)	SEAL KIT	ALL	000201-UP	360.00	260.00		4210675	2692.32	
	PISTON W.RING			360.00			0317216	0/R	
	PISTON W.RING			360.00			0317217	0/R	
BOOM (WORK VESSEL)	ROD BUSHING					260.00	0317204	0/R	
	SEAL KIT	4226802	000201-UP	360.00	260.00		4240173	3004.54	
	PISTON W.RING	4323993		360.00			0317216	0/R	
	PISTON W.RING			360.00			0317217	0/R	
BUCKET (LOADER)	ROD BUSHING					260.00	0317204	0/R	
	SEAL KIT	ALL	000201-UP	280.00	200.00		4210678	1925.59	
BUCKET (BACKHOE)	PISTON W.RING				280.00		0317715	0/R	
	PISTON W.RING				280.00		4199801	0/R	
	ROD BUSHING					200.00	0317704	0/R	
	SEAL KIT	4235574	000201-UP	250.00	180.00		4240175	2065.36	
	PISTON W.RING	4320956		250.00			0339707	0/R	
	PISTON W.RING			250.00			4199809	0/R	
LEVEL (LOADER)	ROD BUSHING					180.00	0336404	0/R	
	SEAL KIT	4190752	000201-UP	360.00	260.00		4210675	2692.32	
	PISTON W.RING	4269005		360.00			0317216	0/R	
	PISTON W.RING	4289731		360.00			0317217	0/R	
DUMP (LOADER)	ROD BUSHING					260.00	0317204	0/R	
	SEAL KIT	ALL	000201-UP	225.00	130.00		4210676	938.29	

All manufacturer's names, part numbers and descriptions are used for reference purposes only. We do not imply that any part shown is the product of these manufacturers.

INDUSTRIAL SEAL KITS

MOBILE SEAL KITS

HITACHI

Original equipment Hitachi kits do not include the wear rings required to rebuild a cylinder.  
**The Hitachi kits listed in this catalog do include these wear rings.**

## EXCAVATORS

## HITACHI

Model	Application	Component	Cylinder Group	Serial Number	Bore	Rod	Ref. Number RHIT-	\$		
<b>EX3500-3</b>	(LOADER)	PISTON W.RING			225.00		0317409	O/R		
		PISTON W.RING			225.00		0242714	O/R		
		ROD BUSHING					0317404	O/R		
	ARM (LOADER)	SEAL KIT			4354550	000301-UP	300.00	220.00	4241175	2065.36
		PISTON W.RING					300.00		0317315	O/R
		PISTON W.RING					300.00		0317316	O/R
	ARM (BACKHOE)	ROD BUSHING						220.00	0317304	O/R
		SEAL KIT			4329563	000301-UP	300.00	220.00	4240174	2065.36
		PISTON W.RING					300.00		0317315	O/R
		PISTON W.RING					300.00		0317316	O/R
	BOOM	PISTON W.RING	4312582	000301-UP	300.00		0317316	O/R		
		ROD BUSHING					220.00	0317304	O/R	
		SEAL KIT			4335676		360.00	260.00	4210675	2692.32
		PISTON W.RING					360.00		0317216	O/R
		PISTON W.RING					360.00		0317217	O/R
		ROD BUSHING						260.00	0317204	O/R
	BUCKET (LOADER)	SEAL KIT	4287114	000301-UP	280.00	200.00	4210678	1925.59		
		PISTON W.RING	4287115		280.00		0317715	O/R		
	BUCKET (BACKHOE)	PISTON W.RING			280.00		4199801	O/R		
		ROD BUSHING				200.00	0317704	O/R		
	DUMP (LOADER)	SEAL KIT	4320956	000301-UP	250.00	180.00	4240175	2065.36		
		PISTON W.RING			250.00		0339707	O/R		
		PISTON W.RING			250.00		4199809	O/R		
		ROD BUSHING				180.00	0336404	O/R		
		SEAL KIT	4306630	000301-UP	225.00	130.00	4210676	938.29		
	LEVEL (LOADER)	PISTON W.RING	4306629		225.00		0317409	O/R		
		PISTON W.RING			225.00		0242714	O/R		
		ROD BUSHING				130.00	0317404	O/R		
		SEAL KIT	4289731	000301-UP	360.00	260.00	4210675	2692.32		
		PISTON W.RING			360.00		0317216	O/R		
<b>EX5500</b>	ARM	PISTON W.RING	4393909	000101-UP	360.00	260.00	4411618	2692.32		
		PISTON W.RING			360.00		0725609	O/R		
		PISTON W.RING			360.00		0317217	O/R		
		ROD BUSHING					0317204	O/R		
	BOOM	SEAL KIT	4393908	000101-UP	420.00	300.00	4411617	O/R		
		PISTON W.RING			420.00		0725518	O/R		
		PISTON W.RING			420.00		0725519	O/R		
	BUCKET	ROD BUSHING				300.00	0725506	O/R		
		SEAL KIT	4393911	000101-UP	420.00	300.00	4411620	O/R		
		PISTON W.RING	4393912		420.00		0725814	O/R		
		PISTON W.RING		420.00		0725815	O/R			
		ROD BUSHING			300.00	0725802	O/R			

All manufacturer's names, part numbers and descriptions are used for reference purposes only. We do not imply that any part shown is the product of these manufacturers.

**Tel.: (905) 362-0889**  
**Fax: (888) 238-1664**

**KITS 337**

**www.sealsonline.com**

INDUSTRIAL  
SEAL KITS

MOBILE  
SEAL KITS

HITACHI

Original equipment Hitachi kits do not include the wear rings required to rebuild a cylinder.  
**The Hitachi kits listed in this catalog do include these wear rings.**

## HITACHI

## EXCAVATORS

Model	Application	Component	Cylinder Group	Serial Number	Bore	Rod	Ref. Number RHIT-	\$
	DUMP	SEAL KIT	4393913	000101-UP	280.00	160.00	4411622	1413.76
		PISTON W.RING			280.00		0706410	O/R
		PISTON W.RING			280.00		4199801	O/R
	LEVEL	ROD BUSHING	4393910	000101-UP	420.00	160.00	0400204	O/R
		SEAL KIT				300.00	4411617	O/R
		PISTON W.RING				420.00	0725518	O/R
		PISTON W.RING				420.00	0725519	O/R
		ROD BUSHING				300.00	0725506	O/R

## HITACHI

## KIT LISTING

Ref. Number	Desc.	Bore	Rod	\$	Ref. Number	Desc.	Bore	Rod	\$
RHIT-4064635-WR	SEAL KIT	150.00	90.00	203.51	RHIT-4153203-WR	SEAL KIT	125.00	85.00	418.22
RHIT-4064636-WR	SEAL KIT	150.00	95.00	317.17	RHIT-4153205-WR	SEAL KIT	140.00	100.00	584.51
RHIT-4071694-WR	SEAL KIT	125.00	70.00	165.14	RHIT-4153207-WR	SEAL KIT	125.00	80.00	472.85
RHIT-4089551-WR	SEAL KIT	110.00	70.00	379.31	RHIT-4153209-WR	SEAL KIT	130.00	90.00	219.18
RHIT-4089552-WR	SEAL KIT	120.00	80.00	379.58	RHIT-4153211-WR	SEAL KIT	140.00	100.00	321.07
RHIT-4089553-WR	SEAL KIT	110.00	65.00	209.09	RHIT-4153213-WR	SEAL KIT	125.00	80.00	284.21
RHIT-4094457-WR	SEAL KIT	125.00	85.00	269.35	RHIT-4153235-WR	SEAL KIT	170.00	110.00	1158.59
RHIT-4094458-WR	SEAL KIT	125.00	85.00	289.61	RHIT-4153236-WR	SEAL KIT	150.00	110.00	731.21
RHIT-4094852-WR	SEAL KIT	170.00	110.00	1060.23	RHIT-4153237-WR	SEAL KIT	170.00	110.00	1033.85
RHIT-4096957-WR	SEAL KIT	150.00	95.00	631.14	RHIT-4162026-WR	SEAL KIT	170.00	110.00	1109.47
RHIT-4096958-WR	SEAL KIT	150.00	105.00	590.24	RHIT-4162027-WR	SEAL KIT	190.00	120.00	783.54
RHIT-4096959-WR	SEAL KIT	150.00	105.00	638.59	RHIT-4162028-WR	SEAL KIT	170.00	110.00	1109.47
RHIT-4096960-WR	SEAL KIT	150.00	95.00	576.81	RHIT-4163568-WR	SEAL KIT	140.00	90.00	319.74
RHIT-4101392-WR	SEAL KIT	190.00	120.00	743.06	RHIT-4163569-WR	SEAL KIT	150.00	105.00	263.47
RHIT-4101442-WR	SEAL KIT	120.00	70.00	162.36	RHIT-4163570-WR	SEAL KIT	140.00	90.00	333.00
RHIT-4101443-WR	SEAL KIT	130.00	80.00	214.22	RHIT-4163573-WR	SEAL KIT	150.00	95.00	325.24
RHIT-4101986-WR	SEAL KIT	125.00	80.00	271.48	RHIT-4163813-WR	SEAL KIT	130.00	90.00	323.94
RHIT-4104127-WR	SEAL KIT	130.00	90.00	345.39	RHIT-4163898-WR	SEAL KIT	225.00	150.00	330.30
RHIT-4104131-WR	SEAL KIT	125.00	75.00	308.79	RHIT-4163899-WR	SEAL KIT	240.00	160.00	380.79
RHIT-4117741-WR	SEAL KIT	125.00	85.00	286.84	RHIT-4163900-WR	SEAL KIT	190.00	140.00	268.58
RHIT-4117743-WR	SEAL KIT	125.00	75.00	301.08	RHIT-4163901-WR	SEAL KIT	140.00	80.00	152.19
RHIT-4117745-WR	SEAL KIT	150.00	95.00	631.14	RHIT-4167721-WR	SEAL KIT	170.00	110.00	397.98
RHIT-4117746-WR	SEAL KIT	150.00	105.00	638.59	RHIT-4167722-WR	SEAL KIT	170.00	110.00	390.41
RHIT-4122039-WR	SEAL KIT	150.00	95.00	652.69	RHIT-4167724-WR	SEAL KIT	140.00	110.00	385.69
RHIT-4122040-WR	SEAL KIT	150.00	105.00	649.82	RHIT-4169353-WR	SEAL KIT	130.00	90.00	230.77
RHIT-4124368-WR	SEAL KIT	250.00	160.00	2514.19	RHIT-4171990-WR	SEAL KIT	240.00	160.00	704.57
RHIT-4124370-WR	SEAL KIT	280.00	190.00	2670.67	RHIT-4171991-WR	SEAL KIT	225.00	150.00	608.42
RHIT-4144635-WR	SEAL KIT	100.00	55.00	367.04	RHIT-4171992-WR	SEAL KIT	190.00	140.00	572.31
RHIT-4149828-WR	SEAL KIT	120.00	80.00	203.41	RHIT-4171993-WR	SEAL KIT	140.00	80.00	389.54
RHIT-4150681-WR	SEAL KIT	150.00	95.00	716.58	RHIT-4176980-WR	SEAL KIT	190.00	120.00	429.74

All manufacturer's names, part numbers and descriptions are used for reference purposes only. We do not imply that any part shown is the product of these manufacturers.

INDUSTRIAL SEAL KITS

MOBILE SEAL KITS

HITACHI

Original equipment Hitachi kits do not include the wear rings required to rebuild a cylinder.  
**The Hitachi kits listed in this catalog do include these wear rings.**

## KIT LISTING

## HITACHI

INDUSTRIAL  
SEAL KITS

MOBILE  
SEAL KITS

HITACHI

Ref. Number	Desc.	Bore	Rod	\$	Ref. Number	Desc.	Bore	Rod	\$
RHIT-4179470-WR	SEAL KIT	150.00	95.00	325.77	RHIT-4241175-WR	SEAL KIT	300.00	220.00	2065.35
RHIT-4187913-WR	SEAL KIT	95.00	65.00	200.94	RHIT-4241175/HT	SEAL KIT	300.00	220.00	2322.10
RHIT-4203830-WR	SEAL KIT	135.00	90.00	300.62	RHIT-4254041-WR	SEAL KIT	200.00	140.00	466.83
RHIT-4203831-WR	SEAL KIT	145.00	100.00	325.08	RHIT-4254042-WR	SEAL KIT	215.00	150.00	391.50
RHIT-4206018-WR	SEAL KIT	125.00	85.00	171.39	RHIT-4255532-WR	SEAL KIT	150.00	115.00	324.74
RHIT-4206018P	SEAL KIT	125.00	85.00	234.46	RHIT-4255533-WR	SEAL KIT	100.00	65.00	199.78
RHIT-4206019-WR	SEAL KIT	135.00	95.00	253.11	RHIT-4256119-WR	SEAL KIT	190.00	130.00	434.89
RHIT-4206019P	SEAL KIT	135.00	95.00	346.27	RHIT-4266596-WR	SEAL KIT	215.00	150.00	391.50
RHIT-4206020-WR	SEAL KIT	120.00	80.00	190.61	RHIT-4266770-WR	SEAL KIT	105.00	75.00	200.74
RHIT-4206020P	SEAL KIT	120.00	80.00	260.75	RHIT-4278395-WR	SEAL KIT	230.00	160.00	1457.63
RHIT-4206340-WR	SEAL KIT	95.00	70.00	133.84	RHIT-4278396-WR	SEAL KIT	260.00	180.00	2140.32
RHIT-4206340P	SEAL KIT	95.00	70.00	180.62	RHIT-4278398-WR	SEAL KIT	200.00	170.00	1117.64
RHIT-4206343-WR	SEAL KIT	105.00	75.00	123.62	RHIT-4286459-WR	SEAL KIT	105.00	70.00	216.21
RHIT-4206343P	SEAL KIT	105.00	75.00	169.10	RHIT-4286463-WR	SEAL KIT	110.00	80.00	220.69
RHIT-4206344-WR	SEAL KIT	115.00	80.00	140.47	RHIT-4286739-WR	SEAL KIT	95.00	65.00	193.36
RHIT-4206345-WR	SEAL KIT	95.00	65.00	130.30	RHIT-4286743-WR	SEAL KIT	95.00	70.00	183.74
RHIT-4206345P	SEAL KIT	95.00	65.00	178.25	RHIT-4286774-WR	SEAL KIT	120.00	85.00	188.24
RHIT-4210675-WR	SEAL KIT	360.00	260.00	2692.32	RHIT-4286780-WR	SEAL KIT	130.00	95.00	194.78
RHIT-4210676-WR	SEAL KIT	225.00	130.00	938.29	RHIT-4286782-WR	SEAL KIT	110.00	75.00	186.44
RHIT-4210676/HT	SEAL KIT	225.00	130.00	654.27	RHIT-4286784-WR	SEAL KIT	110.00	75.00	219.95
RHIT-4210678-WR	SEAL KIT	280.00	200.00	1925.59	RHIT-4291362-WR	SEAL KIT	200.00	140.00	818.42
RHIT-4214721-WR	SEAL KIT	100.00	65.00	328.01	RHIT-4291368-WR	SEAL KIT	180.00	130.00	657.54
RHIT-4214722-WR	SEAL KIT	135.00	85.00	278.84	RHIT-4301078-WR	SEAL KIT	200.00	150.00	1671.85
RHIT-4216263-WR	SEAL KIT	115.00	80.00	217.53	RHIT-4301079-WR	SEAL KIT	250.00	170.00	2102.20
RHIT-4216264-WR	SEAL KIT	120.00	85.00	270.57	RHIT-4306444-WR	SEAL KIT	115.00	65.00	292.80
RHIT-4216514-WR	SEAL KIT	95.00	65.00	184.62	RHIT-4309996-WR	SEAL KIT	240.00	170.00	1117.64
RHIT-4216515-WR	SEAL KIT	105.00	70.00	190.00	RHIT-4314461-WR	SEAL KIT	130.00	80.00	290.94
RHIT-4216516-WR	SEAL KIT	95.00	60.00	168.06	RHIT-4316625-WR	SEAL KIT	130.00	95.00	649.96
RHIT-4217002-WR	SEAL KIT	115.00	65.00	191.47	RHIT-4320994-WR	SEAL KIT	95.00	65.00	106.44
RHIT-4217003-WR	SEAL KIT	100.00	60.00	182.78	RHIT-4320996-WR	SEAL KIT	95.00	70.00	183.74
RHIT-4217004-WR	SEAL KIT	90.00	55.00	157.10	RHIT-4320997-WR	SEAL KIT	105.00	75.00	206.77
RHIT-4221868-WR	SEAL KIT	280.00	200.00	1925.59	RHIT-4320999-WR	SEAL KIT	120.00	85.00	169.07
RHIT-4221868/HT	SEAL KIT	280.00	200.00	2381.51	RHIT-4323935-WR	SEAL KIT	115.00	75.00	273.81
RHIT-4221868P	SEAL KIT	280.00	200.00	2346.73	RHIT-4325945-WR	SEAL KIT	250.00	170.00	1221.08
RHIT-4221869-WR	SEAL KIT	240.00	180.00	1457.63	RHIT-4340620-WR	SEAL KIT	170.00	115.00	346.51
RHIT-4221869/HT	SEAL KIT	240.00	180.00	1831.99	RHIT-4340621-WR	SEAL KIT	190.00	130.00	456.58
RHIT-4221871-WR	SEAL KIT	225.00	170.00	1305.17	RHIT-4348853-WR	SEAL KIT	180.00	125.00	771.51
RHIT-4221871/HT	SEAL KIT	225.00	170.00	741.60	RHIT-4348854-WR	SEAL KIT	200.00	140.00	1061.58
RHIT-4221872-WR	SEAL KIT	190.00	110.00	636.66	RHIT-4348855-WR	SEAL KIT	180.00	130.00	1067.18
RHIT-4221872/HT	SEAL KIT	190.00	110.00	687.01	RHIT-4354824-WR	SEAL KIT	190.00	130.00	637.13
RHIT-4236057-WR	SEAL KIT	170.00	115.00	300.90	RHIT-4363078-WR	SEAL KIT	130.00	65.00	242.72
RHIT-4236058-WR	SEAL KIT	190.00	130.00	418.35	RHIT-4364912-WR	SEAL KIT	105.00	70.00	287.80
RHIT-4240173-WR	SEAL KIT	360.00	260.00	3004.54	RHIT-4364913-WR	SEAL KIT	110.00	80.00	255.42
RHIT-4240174-WR	SEAL KIT	300.00	220.00	2065.36	RHIT-4364915-WR	SEAL KIT	120.00	85.00	270.31
RHIT-4240175-WR	SEAL KIT	250.00	180.00	2065.36	RHIT-4364916-WR	SEAL KIT	130.00	95.00	326.40

All manufacturer's names, part numbers and descriptions are used for reference purposes only. We do not imply that any part shown is the product of these manufacturers.

**Tel.: (204) 783-9617**  
**Fax: (204) 783-6091**

**KITS 339**

**www.sealsonline.com**



Original equipment Hitachi kits do not include the wear rings required to rebuild a cylinder.  
**The Hitachi kits listed in this catalog do include these wear rings.**

## HITACHI

## KIT LISTING

Ref. Number	Desc.	Bore	Rod	\$	Ref. Number	Desc.	Bore	Rod	\$
RHIT-4369716-WR	SEAL KIT	130.00	95.00	334.93	RHIT-4438682-WR	SEAL KIT	180.00	140.00	1085.14
RHIT-4369717-WR	SEAL KIT	180.00	95.00	506.19	RHIT-4438684-WR	SEAL KIT	200.00	140.00	818.42
RHIT-4369718-WR	SEAL KIT	130.00	95.00	334.94	RHIT-4438693-WR	SEAL KIT	190.00	140.00	520.38
RHIT-4369719-WR	SEAL KIT	100.00	95.00	338.11	RHIT-4438758-WR	SEAL KIT	170.00	115.00	405.94
RHIT-4369766-WR	SEAL KIT	95.00	65.00	169.46	RHIT-4438759-WR	SEAL KIT	200.00	140.00	818.42
RHIT-4369767-WR	SEAL KIT	100.00	65.00	217.71	RHIT-4442368-WR	SEAL KIT	180.00	130.00	657.54
RHIT-4369770-WR	SEAL KIT	95.00	70.00	175.98	RHIT-4448393-WR	SEAL KIT	105.00	75.00	203.54
RHIT-4369771-WR	SEAL KIT	110.00	70.00	215.89	RHIT-4448394-WR	SEAL KIT	95.00	65.00	222.82
RHIT-4369772-WR	SEAL KIT	105.00	70.00	230.26	RHIT-4448395-WR	SEAL KIT	105.00	70.00	211.38
RHIT-4369889-WR	SEAL KIT	105.00	75.00	206.78	RHIT-4448396-WR	SEAL KIT	115.00	80.00	265.38
RHIT-4369890-WR	SEAL KIT	110.00	75.00	279.37	RHIT-4448397-WR	SEAL KIT	100.00	70.00	317.81
RHIT-4369892-WR	SEAL KIT	110.00	80.00	194.50	RHIT-4448398-WR	SEAL KIT	120.00	85.00	307.99
RHIT-4369893P	SEAL KIT	115.00	80.00	231.67	RHIT-4448399-WR	SEAL KIT	135.00	95.00	432.82
RHIT-4369901-WR	SEAL KIT	120.00	85.00	261.18	RHIT-4448400-WR	SEAL KIT	115.00	80.00	277.04
RHIT-4369902-WR	SEAL KIT	125.00	85.00	373.72	RHIT-4465632-WR	SEAL KIT	260.00	180.00	2140.32
RHIT-4369903P	SEAL KIT	120.00	85.00	294.07	RHIT-4465638-WR	SEAL KIT	230.00	160.00	1457.63
RHIT-4369914-WR	SEAL KIT	130.00	95.00	320.97	RHIT-4465641-WR	SEAL KIT	230.00	160.00	1457.63
RHIT-4369943-WR	SEAL KIT	145.00	105.00	380.57	RHIT-4465644-WR	SEAL KIT	240.00		2010.60
RHIT-4378931-WR	SEAL KIT	140.00	85.00	347.81	RHIT-4465647-WR	SEAL KIT	215.00	170.00	771.51
RHIT-4379260-WR	SEAL KIT	95.00	70.00	219.98	RHIT-4465650-WR	SEAL KIT	200.00	170.00	1702.38
RHIT-4379261-WR	SEAL KIT	105.00	75.00	209.09	RHIT-4465653-WR	SEAL KIT	140.00	85.00	347.81
RHIT-4389075-WR	SEAL KIT	230.00	170.00	1227.99	RHIT-4475375-WR	SEAL KIT	280.00	200.00	2005.36
RHIT-4389719-WR	SEAL KIT	110.00	80.00	312.59	RHIT-4475376-WR	SEAL KIT	250.00	170.00	2206.19
RHIT-4389720-WR	SEAL KIT	115.00	85.00	293.75	RHIT-4475377-WR	SEAL KIT	200.00	170.00	1727.03
RHIT-4389721-WR	SEAL KIT	105.00	75.00	415.19	RHIT-4475378-WR	SEAL KIT	240.00	180.00	2123.37
RHIT-4392644-WR	SEAL KIT	280.00	200.00	2447.64	RHIT-4509364-WR	SEAL KIT	180.00	110.00	583.07
RHIT-4403998-WR	SEAL KIT	95.00	65.00	222.82	RHIT-4509365-WR	SEAL KIT	180.00	120.00	590.14
RHIT-4405053-WR	SEAL KIT	170.00	120.00	404.95	RHIT-4S00047-WR	SEAL KIT	280.00	200.00	2346.73
RHIT-4407489-WR	SEAL KIT	310.00	230.00	O/R	RHIT-4S00074-WR	SEAL KIT	225.00	170.00	1005.80
RHIT-4407490-WR	SEAL KIT	280.00	200.00	2447.64	RHIT-9078843-WR	SEAL KIT	145.00	95.00	321.58
RHIT-4407491-WR	SEAL KIT	250.00	180.00	2065.36	RHIT-9078844-WR	SEAL KIT	150.00	105.00	314.73
RHIT-4407492-WR	SEAL KIT	215.00	130.00	O/R	RHIT-9078845-WR	SEAL KIT	145.00	100.00	325.08
RHIT-4407493-WR	SEAL KIT	280.00	200.00	2345.72	RHIT-9078846-WR	SEAL KIT	165.00	110.00	519.50
RHIT-4411617-WR	SEAL KIT	420.00	300.00	O/R	RHIT-9103842-WR	SEAL KIT	125.00	90.00	325.93
RHIT-4411618-WR	SEAL KIT	360.00	260.00	2692.32	RHIT-9103843-WR	SEAL KIT	135.00	100.00	334.85
RHIT-4411620-WR	SEAL KIT	420.00	300.00	O/R	RHIT-9103844-WR	SEAL KIT	125.00	85.00	327.44
RHIT-4411622-WR	SEAL KIT	280.00	160.00	1413.76	RHIT-9113447-WR	SEAL KIT	145.00	100.00	288.45
RHIT-4415584-WR	SEAL KIT	130.00	95.00	337.34	RHIT-9123263-WR	SEAL KIT	145.00	100.00	292.18
RHIT-4415585-WR	SEAL KIT	180.00	95.00	513.93	RHIT-9123264-WR	SEAL KIT	165.00	110.00	382.69
RHIT-4436496-WR	SEAL KIT	215.00	150.00	535.53	RHIT-9123265-WR	SEAL KIT	145.00	95.00	247.94
RHIT-4437964-WR	SEAL KIT	190.00	130.00	445.55	RHIT-9173710-WR	SEAL KIT	150.00	105.00	330.17
RHIT-4437965-WR	SEAL KIT	180.00	120.00	615.48	RHIT-9175564-WR	SEAL KIT	145.00	95.00	265.78
RHIT-4438672-WR	SEAL KIT	170.00	115.00	508.03	RHIT-9178283-WR	SEAL KIT	125.00	90.00	281.64
RHIT-4438679-WR	SEAL KIT	190.00	130.00	431.90	RHIT-9178294-WR	SEAL KIT	125.00	85.00	287.76
RHIT-4438681-WR	SEAL KIT	170.00	120.00	348.22	RHIT-9180580-WR	SEAL KIT	135.00	90.00	258.74

All manufacturer's names, part numbers and descriptions are used for reference purposes only. We do not imply that any part shown is the product of these manufacturers.

INDUSTRIAL SEAL KITS

MOBILE SEAL KITS

HITACHI

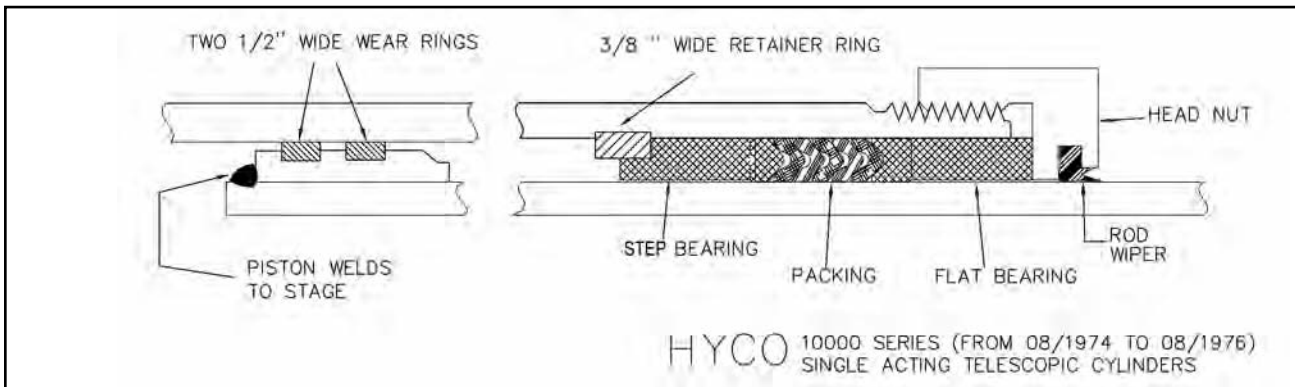
Original equipment Hitachi kits do not include the wear rings required to rebuild a cylinder.  
**The Hitachi kits listed in this catalog do include these wear rings.**

## KIT LISTING

## HITACHI

Ref. Number	Desc.	Bore	Rod	\$	Ref. Number	Desc.	Bore	Rod	\$
RHIT-9180582-WR	SEAL KIT	170.00	115.00	391.43	RHIT-9206355-WR	SEAL KIT	135.00	95.00	431.46
RHIT-9181751-WR	SEAL KIT	145.00	95.00	283.73					

## HYCO - TELESCOPIC CYLINDERS C900/C2000 SERIES - SINGLE ACTING Manufactured before 08/1974



STAGE O.D.'S:	3, 4, 5, 6, 7, 8, 8.125, 8.250, 9.375, 9.750"
IDENTIFICATION:	CYLINDER MODEL NUMBER AND SERIAL NUMBER STAMPED ON METAL TAG APPLIED TO CYLINDER BODY.
ROD WIPERS:	POLYURETHANE - SNAP IN TYPE (1)
BEARINGS:	NYLON FLAT (1)
PACKING:	VEE PACKING
RETAINING RING:	STEEL SPIRAL RETAINING RING (2)
	UP TO 8.125" - 0.250" C/S
	8.250" - 0.375" C/S
	9.375" - 0.250" C/S
	9.750" - 0.375" C/S

### V.set & Wiper

### Bearings - Nylon

Ref. Number	Desc.	\$	Ref. Number	Desc.	\$
RHYC-02000VW	02.000" STAGE - V.SET & WIPER	14.67	RHYC-A2475/N	03.000" STAGE - BEARING	10.24
RHYC-03000VW	03.000" STAGE - V.SET & WIPER	14.98	RHYC-A2227/N	04.000" STAGE - BEARING	10.24
RHYC-04000VW	04.000" STAGE - V.SET & WIPER	16.65	RHYC-A2226/N	05.000" STAGE - BEARING	10.78
RHYC-05000VW	05.000" STAGE - V.SET & WIPER	22.64	RHYC-A2225/N	06.000" STAGE - BEARING	12.76
RHYC-06000VW	06.000" STAGE - V.SET & WIPER	27.61	RHYC-A2411/N	07.000" STAGE - BEARING	13.87
RHYC-07000VW	07.000" STAGE - V.SET & WIPER	32.26	RHYC-A2447/N	08.000" STAGE - BEARING	16.80
RHYC-08000VW	08.000" STAGE - V.SET & WIPER	36.34	RHYC-A3438/N	08.250" STAGE - BEARING	31.83
RHYC-08125VW	08.125" STAGE - V.SET & WIPER	63.85	RHYC-A18415/N	09.000" STAGE - BEARING	56.64
RHYC-08250VW	08.250" STAGE - V.SET & WIPER	83.05			
RHYC-09000VW	09.000" STAGE - V.SET & WIPER	94.37			
RHYC-09125VW	09.125" STAGE - V.SET & WIPER	120.00			
RHYC-09375VW	09.375" STAGE - V.SET & WIPER	96.01			
RHYC-09750VW	09.750" STAGE - V.SET & WIPER	136.09			

All manufacturer's names, part numbers and descriptions are used for reference purposes only. We do not imply that any part shown is the product of these manufacturers.

**Tel.: (780) 414-1871**  
**Fax: (780) 487-5419**

**KITS 341**

**www.sealsonline.com**

INDUSTRIAL  
SEAL KITS

MOBILE  
SEAL KITS

HITACHI - HYCO

## Multiple Stage Kits

Ref. Number	Desc.	\$
RHYC-35	3.000" - 5.000" PACK KIT	59.55
RHYC-36	3.000" - 6.000" PACK KIT	90.51
RHYC-38	3.000" - 8.000" PACK KIT	167.48
RHYC-46	4.000" - 6.000" PACK KIT	74.34
RHYC-47	4.000" - 7.000" PACK KIT	110.54
RHYC-48	4.000" - 8.000" PACK KIT	151.31
RHYC-48-1/4	4.000" - 8.125" PACK KIT	203.74

## Vee Packing & Wiper Sets

Ref. Number	Desc.	\$
RHYC-49	4.000" - 9.000" PACK KIT	257.17
RHYC-57	5.000" - 7.000" PACK KIT	92.54
RHYC-58	5.000" - 8.000" PACK KIT	133.33
RHYC-59-3/4	5.000" - 9.750" PACK KIT	O/R

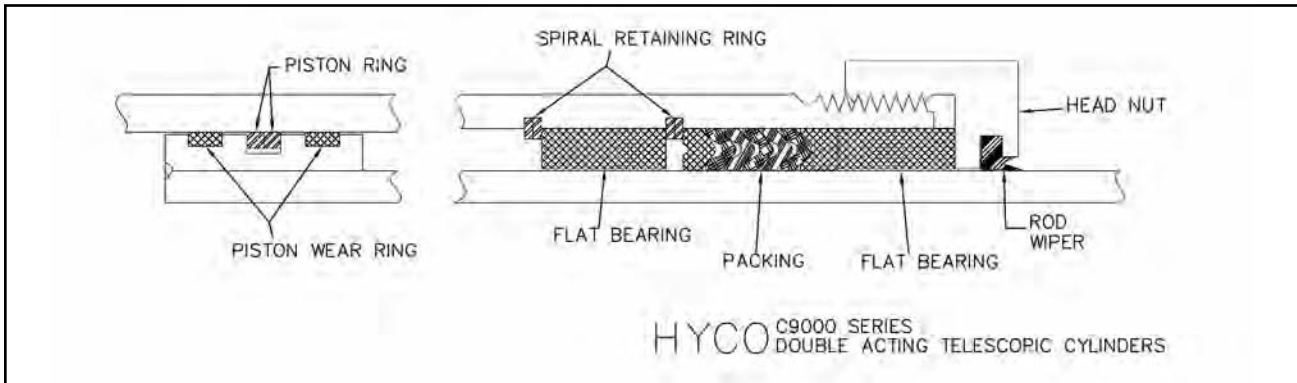
## Bearings - Bronze

Ref. Number	Desc.	\$
RHYC-A2475	03.000" STAGE - BEARING	O/R
RHYC-A2227	04.000" STAGE - BEARING	O/R
RHYC-A2226	05.000" STAGE - BEARING	O/R
RHYC-A2225	06.000" STAGE - BEARING	O/R
RHYC-A2411	07.000" STAGE - BEARING	O/R
RHYC-A2447	08.000" STAGE - BEARING	O/R
RHYC-A3438	08.250" STAGE - BEARING	O/R
RHYC-A18415	09.000" STAGE - BEARING	O/R
RHYC-A8308	09.750" STAGE - BEARING(TOP)	O/R
RHYC-A8258	09.750" STAGE - BEARING(BTM)	O/R

## Spiral Retainers

Ref. Number	Desc.	\$
RHYC-A2477	03.000" STAGE - SPIRAL RETAINER	4.66
RHYC-A17794	04.000" STAGE - SPIRAL RETAINER	11.11
RHYC-A17793	05.000" STAGE - SPIRAL RETAINER	11.35
RHYC-A2228	06.000" STAGE - SPIRAL RETAINER	8.81
RHYC-A3012	07.000" STAGE - SPIRAL RETAINER	11.64
RHYC-A3013	08.000" STAGE - SPIRAL RETAINER	14.45
RHYC-A4616	08.250" STAGE - SPIRAL RETAINER	59.76
RHYC-A18387	09.000" STAGE - SPIRAL RETAINER	69.71
RHYC-A8246	09.750" STAGE - SPIRAL RETAINER	121.47

## HYCO - TELESCOPIC CYLINDERS C9000 SERIES - DOUBLE ACTING



STAGE O.D.'S:	3, 4, 5, 6, 7, 8, 8.125, 8.250, 9.375, 9.750"
IDENTIFICATION:	CYLINDER MODEL NUMBER AND SERIAL NUMBER STAMPED ON METAL TAG APPLIED TO CYLINDER BODY.
ROD WIPERS:	POLYURETHANE - SNAP IN TYPE (1)
BEARINGS:	NYLON FLAT (2)
PACKING:	VEE PACKING UP TO 8.125" - 0.250" C/S 8.250" - 0.375" C/S 9.375" - 0.250" C/S 9.750" - 0.375" C/S
RETAINING RING:	STEEL SPIRAL RETAINING RING (2)
PISTON:	CAST IRON - PISTON RINGS (2) - COMMON GROOVE NYLON - WEAR RING (2) - 0.500" WIDE

All manufacturer's names, part numbers and descriptions are used for reference purposes only. We do not imply that any part shown is the product of these manufacturers.

## HYCO - TELESCOPIC CYLINDERS C9000 SERIES - DOUBLE ACTING

INDUSTRIAL  
SEAL KITS

MOBILE  
SEAL KITS

HYCO

### V.set & Wiper

Ref. Number	Desc.	\$
RHYC-02000VW	02.000" STAGE - V.SET & WIPER	14.67
RHYC-03000VW	03.000" STAGE - V.SET & WIPER	14.98
RHYC-04000VW	04.000" STAGE - V.SET & WIPER	16.65
RHYC-05000VW	05.000" STAGE - V.SET & WIPER	22.64
RHYC-06000VW	06.000" STAGE - V.SET & WIPER	27.61
RHYC-07000VW	07.000" STAGE - V.SET & WIPER	32.26
RHYC-08000VW	08.000" STAGE - V.SET & WIPER	36.34
RHYC-08125VW	08.125" STAGE - V.SET & WIPER	63.85
RHYC-08250VW	08.250" STAGE - V.SET & WIPER	83.05
RHYC-09000VW	09.000" STAGE - V.SET & WIPER	94.37
RHYC-09125VW	09.125" STAGE - V.SET & WIPER	120.00
RHYC-09375VW	09.375" STAGE - V.SET & WIPER	96.01
RHYC-09750VW	09.750" STAGE - V.SET & WIPER	136.09

### Bearings - Nylon

Ref. Number	Desc.	\$
RHYC-A2475/N	03.000" STAGE - BEARING	10.24
RHYC-A2227/N	04.000" STAGE - BEARING	10.24
RHYC-A2226/N	05.000" STAGE - BEARING	10.78
RHYC-A2225/N	06.000" STAGE - BEARING	12.76
RHYC-A2411/N	07.000" STAGE - BEARING	13.87
RHYC-A2447/N	08.000" STAGE - BEARING	16.80
RHYC-A3438/N	08.250" STAGE - BEARING	31.83
RHYC-A18415/N	09.000" STAGE - BEARING	56.64

### Bearings - Bronze

Ref. Number	Desc.	\$
RHYC-A2475	03.000" STAGE - BEARING	O/R
RHYC-A2227	04.000" STAGE - BEARING	O/R
RHYC-A2226	05.000" STAGE - BEARING	O/R
RHYC-A2225	06.000" STAGE - BEARING	O/R
RHYC-A2411	07.000" STAGE - BEARING	O/R
RHYC-A2447	08.000" STAGE - BEARING	O/R
RHYC-A3438	08.250" STAGE - BEARING	O/R
RHYC-A18415	09.000" STAGE - BEARING	O/R
RHYC-A8308	09.750" STAGE - BEARING(TOP)	O/R
RHYC-A8258	09.750" STAGE - BEARING(BTM)	O/R

### Spiral Retainers

Ref. Number	Desc.	\$
RHYC-A2477	03.000" STAGE - SPIRAL RETAINER	4.66
RHYC-A17794	04.000" STAGE - SPIRAL RETAINER	11.11
RHYC-A17793	05.000" STAGE - SPIRAL RETAINER	11.35
RHYC-A2228	06.000" STAGE - SPIRAL RETAINER	8.81
RHYC-A3012	07.000" STAGE - SPIRAL RETAINER	11.64
RHYC-A3013	08.000" STAGE - SPIRAL RETAINER	14.45
RHYC-A4616	08.250" STAGE - SPIRAL RETAINER	59.76
RHYC-A18387	09.000" STAGE - SPIRAL RETAINER	69.71
RHYC-A8246	09.750" STAGE - SPIRAL RETAINER	121.47

### Piston Rings - Cast Iron

Ref. Number	Desc.	\$
RHYC-A18029	04.000" STAGE - PISTON RING	13.85
RHYC-A18028	05.000" STAGE - PISTON RING	19.01
RHYC-A18027	06.000" STAGE - PISTON RING	22.85
RHYC-A18026	07.000" STAGE - PISTON RING	32.74
RHYC-A18025	08.000" STAGE - PISTON RING	45.83
RHYC-A18385	09.000" STAGE - PISTON RING	72.81

### Piston Wear Rings - Nylon

Ref. Number	Desc.	\$
RHYC-10764/400	04.000" STAGE - PISTON W.RING	4.56
RHYC-10764/500	05.000" STAGE - PISTON W.RING	4.56
RHYC-10764/600	06.000" STAGE - PISTON W.RING	5.98
RHYC-10764/700	07.000" STAGE - PISTON W.RING	5.98
RHYC-10764/800	08.000" STAGE - PISTON W.RING	7.20
RHYC-10764/900	09.000" STAGE - PISTON W.RING	12.30

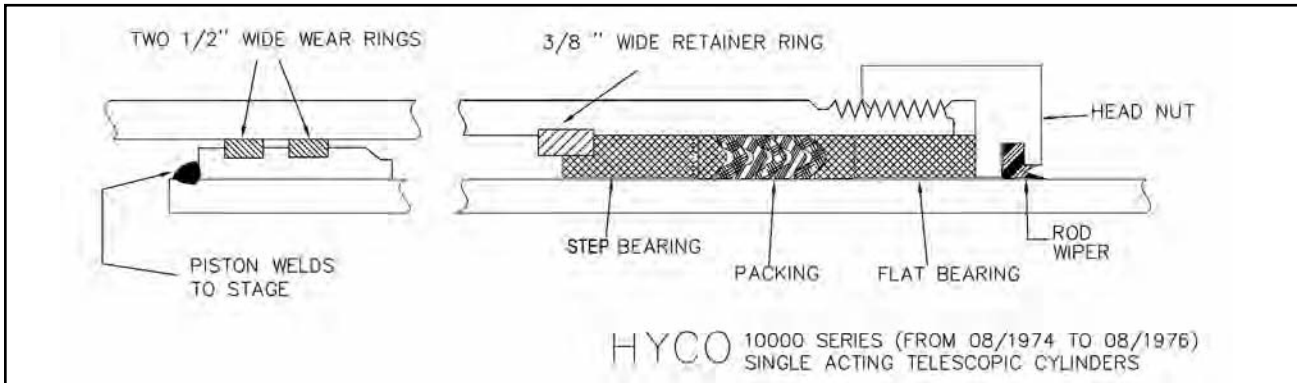
All manufacturer's names, part numbers and descriptions are used for reference purposes only. We do not imply that any part shown is the product of these manufacturers.

Tel.: (403) 279-1871  
Fax: (403) 279-1821

**KITS 343**

[www.sealsonline.com](http://www.sealsonline.com)

## HYCO - TELESCOPIC CYLINDERS 10000 SERIES - SINGLE ACTING (From 08/1974 Through 08/1976)



STAGE O.D.'S:	3, 4, 5, 6, 7, 8, 8.125"
IDENTIFICATION:	CYLINDER MODEL NUMBER AND SERIAL NUMBER STAMPED ON CYLINDER NEAR BASE.
ROD WIPERS:	HARD BLACK NYLON. DOES NOT SNAP INTO A GROOVE. WIPER IS "TRAPPED" BETWEEN HEAD NUT AND TOP BEARING.
BEARINGS:	GLASS FILLED NYLON. OUTER BEARING SERVES AS TOP ADAPTER FOR VEE SET. INNER BEARING IS "STEP-CUT" TO PILOT OVER SNAP RING.
PACKING:	VEE PACKING. OUTER BEARING SERVES AS TOP ADAPTER FOR VEE SET.
PISTON:	WELDED TO STAGE. USES 2 REPLACEABLE 0.500" WIDE WEAR RINGS. PISTONS ARE OPEN THROUGH TO BOTTOM; THEY HAVE NO "PLUG" SO A SMALLER STAGE WILL PASS OUT THROUGH TO BOTTOM OF THE PISTON ON A LARGER STAGE WHEN THE HEAD NUT IS REMOVED AN THE STAGES ARE REMOVED FROM THE CYLINDER BODY.
SPECIAL INFO:	0.375" SPRING STEEL SNAP RING SERVES AS INTERNAL STOP. ROD EYE THREADS INTO STAGE.

### V.Set, Bearings & Wiper Kits

Ref. Number	Desc.	\$
RHYC-11426/300	03.000" STAGE - V.SET/BRGS/WIPER	51.80
RHYC-11426/400	04.000" STAGE - V.SET/BRGS/WIPER	48.05
RHYC-11426/500	05.000" STAGE - V.SET/BRGS/WIPER	63.27
RHYC-11426/600	06.000" STAGE - V.SET/BRGS/WIPER	70.38
RHYC-11426/700	07.000" STAGE - V.SET/BRGS/WIPER	90.44
RHYC-11426/800	08.000" STAGE - V.SET/BRGS/WIPER	113.69
RHYC-11426/825	08.250" STAGE - V.SET/BRGS/WIPER	223.82

### Retainer Rings

Ref. Number	Desc.	\$
RHYC-B9971/450	04.000" STAGE - RETAINER RING	31.68
RHYC-B9971/550	05.000" STAGE - RETAINER RING	32.16
RHYC-B9971/650	06.000" STAGE - RETAINER RING	32.82
RHYC-B9971/750	07.000" STAGE - RETAINER RING	32.82
RHYC-B9971/850	08.000" STAGE - RETAINER RING	69.51
RHYC-B9971/900	08.250" STAGE - RETAINER RING	145.69

### Piston Wear Rings - Nylon

Ref. Number	Desc.	\$
RHYC-10764/400	04.000" STAGE - PISTON W.RING	4.56
RHYC-10764/500	05.000" STAGE - PISTON W.RING	4.56
RHYC-10764/600	06.000" STAGE - PISTON W.RING	5.98
RHYC-10764/700	07.000" STAGE - PISTON W.RING	5.98
RHYC-10764/800	08.000" STAGE - PISTON W.RING	7.20
RHYC-10764/825	08.250" STAGE - PISTON W.RING	11.51

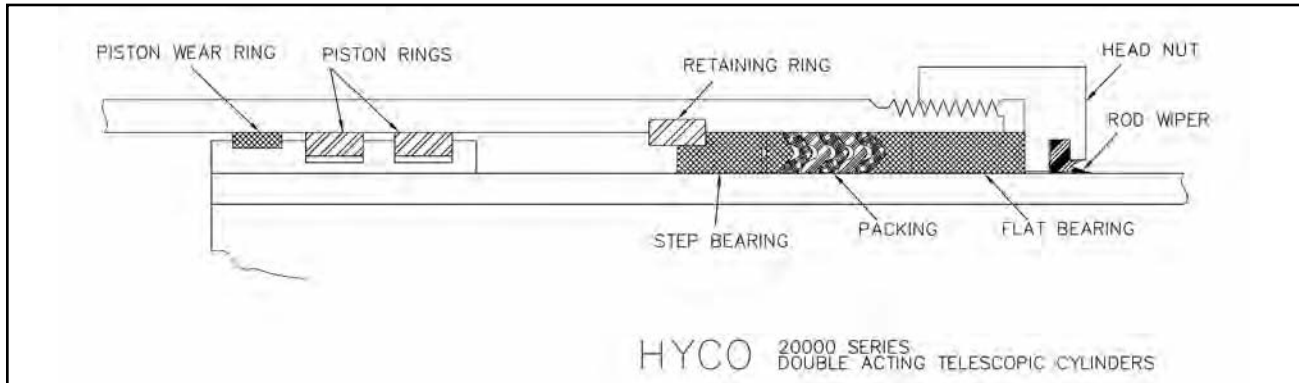
All manufacturer's names, part numbers and descriptions are used for reference purposes only. We do not imply that any part shown is the product of these manufacturers.

## HYCO - TELESCOPIC CYLINDERS 10000 SERIES - SINGLE ACTING

### Multiple Stage Kits

Ref. Number	Desc.	\$
RHYC-11426/48	4.000" - 8.000" PACK KIT	385.80

## HYCO - TELESCOPIC CYLINDERS 20000 SERIES - DOUBLE ACTING



STAGE O.D.'S:	3, 4, 5, 6, 7, 8, 8.125, 8.250, 9.375, 9.750"
IDENTIFICATION:	CYLINDER MODEL NUMBER AND SERIAL NUMBER STAMPED ON CYLINDER BODY NEAR BASE
ROD WIPERS:	POLYURETHANE - SNAP IN TYPE (1)
BEARINGS:	NYLON FLAT (2)
PACKING:	VEE PACKING
RETAINING RING:	SPRING STEEL RETAINING RING (1) - 0.375" WIDE
PISTON:	CAST IRON - PISTON RINGS (2) - SEPARATE GROOVES NYLON - WEAR RING (1) - 0.500" WIDE
	UP TO 8.125" - 0.250" C/S
	8.250" - 0.375" C/S
	9.375" - 0.250" C/S
	9.750" - 0.375" C/S

### V.Set, Bearings & Wiper Kits

Ref. Number	Desc.	\$
RHYC-14411/300	03.000" STAGE - V.SET/BRGS/WIPER	35.29
RHYC-14411/400	04.000" STAGE - V.SET/BRGS/WIPER	35.29
RHYC-14411/500	05.000" STAGE - V.SET/BRGS/WIPER	49.00
RHYC-14411/600	06.000" STAGE - V.SET/BRGS/WIPER	51.46
RHYC-14411/700	07.000" STAGE - V.SET/BRGS/WIPER	66.78
RHYC-14411/800	08.000" STAGE - V.SET/BRGS/WIPER	101.15
RHYC-14411/812	08.125" STAGE - V.SET/BRGS/WIPER	140.75
RHYC-14411/825	08.250" STAGE - V.SET/BRGS/WIPER	190.47
RHYC-14411/900	09.000" STAGE - V.SET/BRGS/WIPER	217.41
RHYC-14411/912	09.125" STAGE - V.SET/BRGS/WIPER	195.66
RHYC-14411/938	09.375" STAGE - V.SET/BRGS/WIPER	186.83

### Retainer Rings

Ref. Number	Desc.	\$
RHYC-B9971/350	03.000" STAGE - RETAINER RING	31.68
RHYC-B9971/450	04.000" STAGE - RETAINER RING	31.68
RHYC-B9971/550	05.000" STAGE - RETAINER RING	32.16
RHYC-B9971/650	06.000" STAGE - RETAINER RING	32.82
RHYC-B9971/750	07.000" STAGE - RETAINER RING	32.82
RHYC-B9971/850	08.000" STAGE - RETAINER RING	69.51
RHYC-B9971/862	08.125" STAGE - RETAINER RING	88.72
RHYC-B9971/900	08.250" STAGE - RETAINER RING	145.69
RHYC-B9971/962	09.125" STAGE - RETAINER RING	129.55
RHYC-B9971/988	09.375" STAGE - RETAINER RING	127.02

All manufacturer's names, part numbers and descriptions are used for reference purposes only. We do not imply that any part shown is the product of these manufacturers.

Tel.: (604) 278-6808  
Fax: (604) 278-6180

**KITS 345**

[www.sealsonline.com](http://www.sealsonline.com)

INDUSTRIAL  
SEAL KITS

MOBILE  
SEAL KITS

HYCO

## HYCO - TELESCOPIC CYLINDERS 20000 SERIES - DOUBLE ACTING

### Piston Wear Rings - Nylon

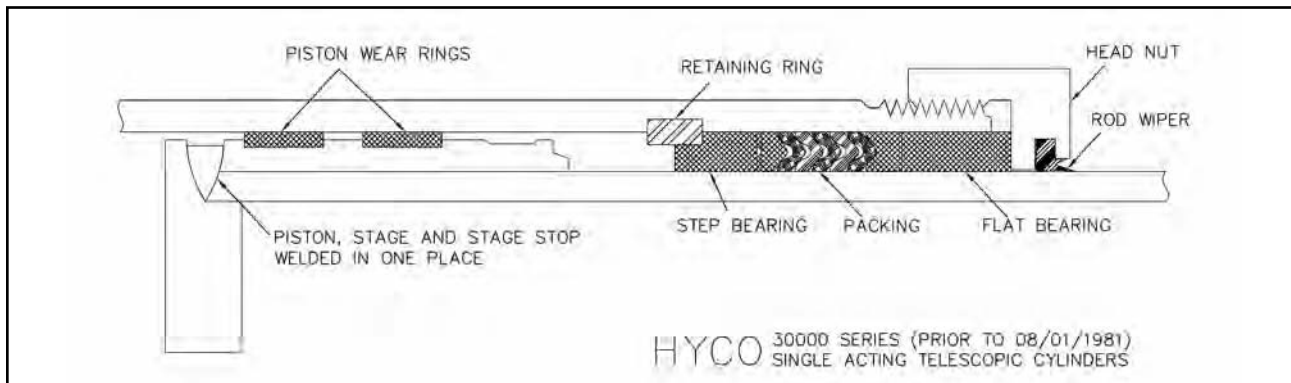
Ref. Number	Desc.	\$
RHYC-10764/300	03.000" STAGE - PISTON W.RING	4.26
RHYC-10764/400	04.000" STAGE - PISTON W.RING	4.56
RHYC-10764/500	05.000" STAGE - PISTON W.RING	4.56
RHYC-10764/600	06.000" STAGE - PISTON W.RING	5.98
RHYC-10764/700	07.000" STAGE - PISTON W.RING	5.98
RHYC-10764/800	08.000" STAGE - PISTON W.RING	7.20
RHYC-10764/812	08.125" STAGE - PISTON W.RING	10.71
RHYC-10764/825	08.250" STAGE - PISTON W.RING	11.51
RHYC-10764/900	09.000" STAGE - PISTON W.RING	12.30
RHYC-10764/938	09.375" STAGE - PISTON W.RING	20.17

### Piston Rings - Cast Iron

Ref. Number	Desc.	\$
RHYC-B12071/300	03.000" STAGE - PISTON RING	53.19
RHYC-B12071/400	04.000" STAGE - PISTON RING	26.21
RHYC-B12071/500	05.000" STAGE - PISTON RING	31.60
RHYC-B12071/600	06.000" STAGE - PISTON RING	36.92
RHYC-B12071/700	07.000" STAGE - PISTON RING	40.47
RHYC-B12071/800	08.000" STAGE - PISTON RING	45.68
RHYC-B12071/812	08.125" STAGE - PISTON RING	94.51
RHYC-B12071/900	09.000" STAGE - PISTON RING	48.46
RHYC-B12071/938	09.375" STAGE - PISTON RING	94.51

N.B.: 0.500" WIDE PISTON RINGS

## HYCO - TELESCOPIC CYLINDERS 30000 SERIES - SINGLE ACTING Manufactured before 08/1981



STAGE O.D.'S:	3, 4, 5, 6, 7, 8, 8.125, 8.250, 9.375, 9.750"
IDENTIFICATION:	CYLINDER MODEL NUMBER AND SERIAL NUMBER STAMPED ON CYLINDER BODY NEAR BASE
ROD WIPERS:	POLYURETHANE - SNAP IN TYPE (1)
BEARINGS:	NYLON FLAT & STEP (1 OF EACH)
PACKING:	VEE PACKING - ALL 0.250"
RETAINING RING:	SPRING STEEL RETAINING RING (1) - 0.375" WIDE
PISTON:	NYLON - WEAR RINGS (2) - 0.500" WIDE

All manufacturer's names, part numbers and descriptions are used for reference purposes only. We do not imply that any part shown is the product of these manufacturers.

## HYCO - TELESCOPIC CYLINDERS 30000 SERIES - SINGLE ACTING Manufactured before 08/1981

### V.Set, Bearings & Wiper Kits

Ref. Number	Desc.	\$
RHYC-14411/300	03.000" STAGE - V.SET/BRGS/WIPER	35.29
RHYC-14411/400	04.000" STAGE - V.SET/BRGS/WIPER	35.29
RHYC-14411/500	05.000" STAGE - V.SET/BRGS/WIPER	49.00
RHYC-14411/600	06.000" STAGE - V.SET/BRGS/WIPER	51.46
RHYC-14411/700	07.000" STAGE - V.SET/BRGS/WIPER	66.78
RHYC-14411/800	08.000" STAGE - V.SET/BRGS/WIPER	101.15
RHYC-14411/812	08.125" STAGE - V.SET/BRGS/WIPER	140.75
RHYC-14411/825	08.250" STAGE - V.SET/BRGS/WIPER	190.47
RHYC-14411/900	09.000" STAGE - V.SET/BRGS/WIPER	217.41
RHYC-14411/912	09.125" STAGE - V.SET/BRGS/WIPER	195.66
RHYC-14411/938	09.375" STAGE - V.SET/BRGS/WIPER	186.83

### Multiple Stage Kits

Ref. Number	Desc.	\$
RHYC-14411/46	4.000" - 6.000" PACK KIT	135.77
RHYC-14411/47	4.000" - 7.000" PACK KIT	202.53
RHYC-14411/48	4.000" - 8.000" PACK KIT	303.63
RHYC-14411/491	4.000" - 9.125" PACK KIT	499.32
RHYC-14411/49	4.000" - 9.000" PACK KIT	521.05

### Retainer Rings

Ref. Number	Desc.	\$
RHYC-B9971/350	03.000" STAGE - RETAINER RING	31.68
RHYC-B9971/450	04.000" STAGE - RETAINER RING	31.68
RHYC-B9971/550	05.000" STAGE - RETAINER RING	32.16
RHYC-B9971/650	06.000" STAGE - RETAINER RING	32.82
RHYC-B9971/750	07.000" STAGE - RETAINER RING	32.82
RHYC-B9971/850	08.000" STAGE - RETAINER RING	69.51
RHYC-B9971/862	08.125" STAGE - RETAINER RING	88.72
RHYC-B9971/900	08.250" STAGE - RETAINER RING	145.69
RHYC-B9971/962	09.125" STAGE - RETAINER RING	129.55
RHYC-B9971/988	09.375" STAGE - RETAINER RING	127.02

### Piston Wear Rings - Nylon

Ref. Number	Desc.	\$
RHYC-10764/300	03.000" STAGE - PISTON W.RING	4.26
RHYC-10764/400	04.000" STAGE - PISTON W.RING	4.56
RHYC-10764/500	05.000" STAGE - PISTON W.RING	4.56
RHYC-10764/600	06.000" STAGE - PISTON W.RING	5.98
RHYC-10764/700	07.000" STAGE - PISTON W.RING	5.98
RHYC-10764/800	08.000" STAGE - PISTON W.RING	7.20
RHYC-10764/812	08.125" STAGE - PISTON W.RING	10.71
RHYC-10764/825	08.250" STAGE - PISTON W.RING	11.51
RHYC-10764/900	09.000" STAGE - PISTON W.RING	12.30
RHYC-10764/938	09.375" STAGE - PISTON W.RING	20.17

All manufacturer's names, part numbers and descriptions are used for reference purposes only. We do not imply that any part shown is the product of these manufacturers.

**Tel.: (418) 688-3202**  
**Fax: (418) 688-4272**

**KITS 347**

[www.sealsonline.com](http://www.sealsonline.com)

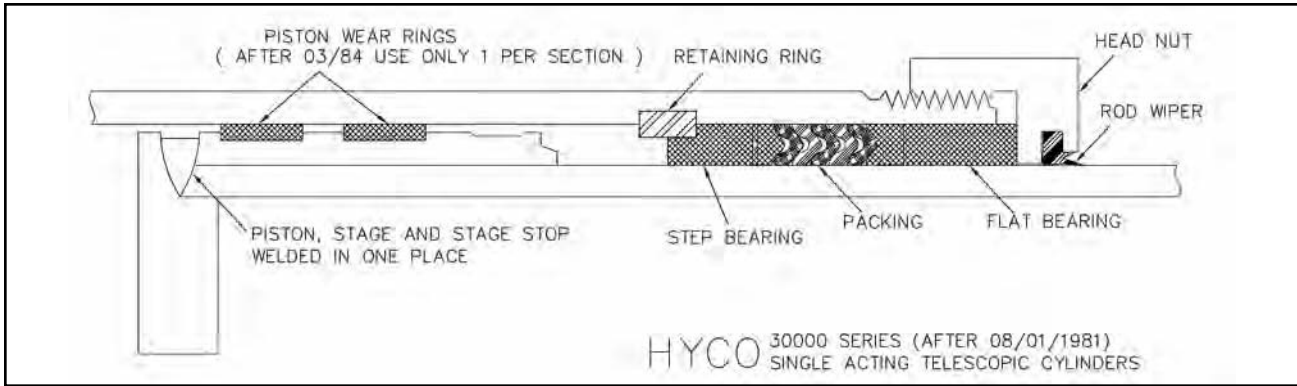
INDUSTRIAL  
SEAL KITS

MOBILE  
SEAL KITS

HYCO



## HYCO - TELESCOPIC CYLINDERS 30000 SERIES - SINGLE ACTING Manufactured after 08/1981



STAGE O.D.'S:	3, 4, 5, 6, 7, 8, 8.125, 8.250, 9.375, 9.750"
IDENTIFICATION:	CYLINDER MODEL NUMBER AND SERIAL NUMBER STAMPED ON CYLINDER BODY NEAR BASE
ROD WIPERS:	POLYURETHANE - SNAP IN TYPE (1)
BEARINGS:	NYLON FLAT & STEP (1 OF EACH)
PACKING:	VEE PACKING (OVERSIZE) - ALL 0.250" C/S
RETAINING RING:	SPRING STEEL RETAINING RING (1) - 0.375" WIDE
PISTON:	NYLON - WEAR RING (2) - 0.500" WIDE (BEFORE 03/84) NYLON - WEAR RING (1) - 0.500" WIDE (AFTER 03/84)

### V.Set, Bearings & Wiper Kits

Ref. Number	Desc.	\$
RHYC-14750/300	03.000" STAGE - V.SET/BRGS/WIPER	39.85
RHYC-14750/400	04.000" STAGE - V.SET/BRGS/WIPER	39.85
RHYC-14750/500	05.000" STAGE - V.SET/BRGS/WIPER	40.78
RHYC-14750/600	06.000" STAGE - V.SET/BRGS/WIPER	47.52
RHYC-14750/700	07.000" STAGE - V.SET/BRGS/WIPER	79.00
RHYC-14750/800	08.000" STAGE - V.SET/BRGS/WIPER	97.61
RHYC-14750/812	08.125" STAGE - V.SET/BRGS/WIPER	129.01
RHYC-14750/825	08.250" STAGE - V.SET/BRGS/WIPER	140.08
RHYC-14750/912	09.125" STAGE - V.SET/BRGS/WIPER	126.94
RHYC-14750/938	09.375" STAGE - V.SET/BRGS/WIPER	126.94

### Retainer Rings

Ref. Number	Desc.	\$
RHYC-B9971/350	03.000" STAGE - RETAINER RING	31.68
RHYC-B9971/450	04.000" STAGE - RETAINER RING	31.68
RHYC-B9971/550	05.000" STAGE - RETAINER RING	32.16
RHYC-B9971/650	06.000" STAGE - RETAINER RING	32.82
RHYC-B9971/750	07.000" STAGE - RETAINER RING	32.82
RHYC-B9971/850	08.000" STAGE - RETAINER RING	69.51
RHYC-B9971/862	08.125" STAGE - RETAINER RING	88.72
RHYC-B9971/900	08.250" STAGE - RETAINER RING	145.69
RHYC-B9971/962	09.125" STAGE - RETAINER RING	129.55
RHYC-B9971/988	09.375" STAGE - RETAINER RING	127.02

### Piston Wear Rings - Nylon

Ref. Number	Desc.	\$
RHYC-10764/300	03.000" STAGE - PISTON W.RING	4.26
RHYC-10764/400	04.000" STAGE - PISTON W.RING	4.56
RHYC-10764/500	05.000" STAGE - PISTON W.RING	4.56
RHYC-10764/600	06.000" STAGE - PISTON W.RING	5.98
RHYC-10764/700	07.000" STAGE - PISTON W.RING	5.98
RHYC-10764/800	08.000" STAGE - PISTON W.RING	7.20
RHYC-10764/812	08.125" STAGE - PISTON W.RING	10.71
RHYC-10764/825	08.250" STAGE - PISTON W.RING	11.51
RHYC-10764/900	09.000" STAGE - PISTON W.RING	12.30
RHYC-10764/938	09.375" STAGE - PISTON W.RING	20.17

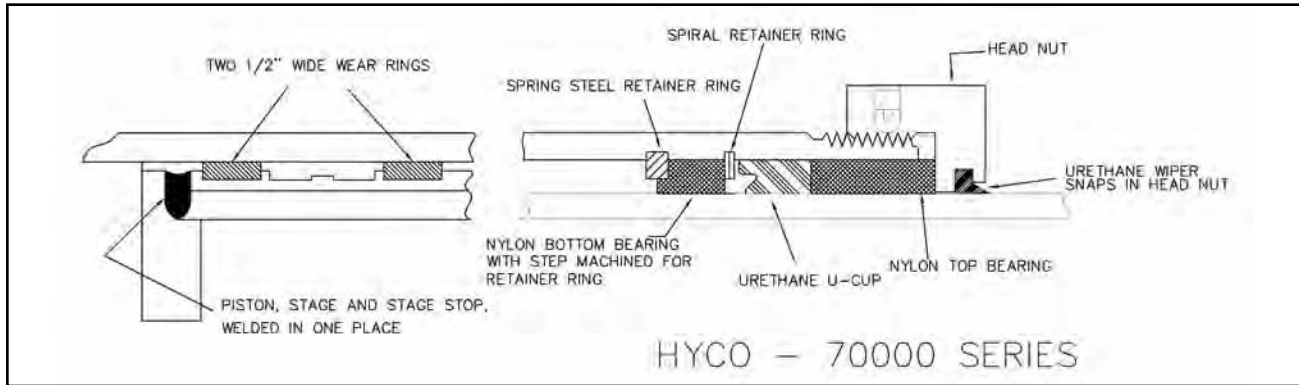
All manufacturer's names, part numbers and descriptions are used for reference purposes only. We do not imply that any part shown is the product of these manufacturers.

INDUSTRIAL  
SEAL KITS

MOBILE  
SEAL KITS

HYCO

## HYCO - TELESCOPIC CYLINDERS 70000 SERIES - SINGLE ACTING



STAGE O.D.'S:	3, 4, 5, 6, 7, 8.125, 9.375"
IDENTIFICATION:	CYLINDER MODEL NUMBER AND SERIAL NUMBER STAMPED ON CYLINDER BODY NEAR BASE
ROD WIPERS:	POLYURETHANE - SNAP IN TYPE (1)
BEARINGS:	NYLON FLAT (2) - ALL 0.250" C/S
PACKING:	POLYURETHANE U-SEALS - ALL 0.250" C/S CAN BE RETROFITTED WITH VEE PACKING
RETAINING RING:	SPRING STEEL RETAINING RING (1) SPIRAL RETAINER (1)
PISTON:	WELDED TO STAGE USES 2 REPLACEABLE WEAR RINGS PER STAGE

### U-Cups, Bearings, Wipers & Retainer Rings

Ref. Number	Desc.	\$
RHYC-B15252/300	03.000" STAGE - U CUP, BRGS, WIPER & R.RINGS	57.20
RHYC-B15252/400	04.000" STAGE - U CUP, BRGS, WIPER & R.RINGS	71.48
RHYC-B15252/500	05.000" STAGE - U CUP, BRGS, WIPER & R.RINGS	79.54
RHYC-B15252/600	06.000" STAGE - U CUP, BRGS, WIPER & R.RINGS	90.37
RHYC-B15252/700	07.000" STAGE - U CUP, BRGS, WIPER & R.RINGS	104.96
RHYC-B15252/812	08.125" STAGE - U CUP, BRGS, WIPER & R.RINGS	176.35
RHYC-B15252/938	09.375" STAGE - U CUP, BRGS, WIPER & R.RINGS	249.96

### Bearings - Nylon

Ref. Number	Desc.	\$
RHYC-B12075/300	03.000" STAGE - BEARING	10.04
RHYC-B12075/400	04.000" STAGE - BEARING	10.04
RHYC-B12075/500	05.000" STAGE - BEARING	10.56
RHYC-B12075/600	06.000" STAGE - BEARING	12.51
RHYC-B12075/700	07.000" STAGE - BEARING	13.60
RHYC-B12075/812	08.125" STAGE - BEARING	47.01
RHYC-B12075/938	09.375" STAGE - BEARING	52.54

### U-Cups

Ref. Number	Desc.	\$
BS26203000-725/4700	03.000" STAGE - U CUP	45.03
BS26204000-725/4700	04.000" STAGE - U CUP	70.85
BS26205000-725/4700	05.000" STAGE - U CUP	88.21
BS26206000-725/4700	06.000" STAGE - U CUP	98.40
BS26207000-725/4700	07.000" STAGE - U CUP	100.08
BS26208125-725/4700	08.125" STAGE - U CUP	115.79
BS26209375-725/4700	09.375" STAGE - U CUP	142.97

All manufacturer's names, part numbers and descriptions are used for reference purposes only. We do not imply that any part shown is the product of these manufacturers.

**Tel.: (514) 334-2220**  
**Fax: (514) 333-8329**

**KITS 349**

[www.sealsonline.com](http://www.sealsonline.com)

INDUSTRIAL  
SEAL KITS

MOBILE  
SEAL KITS

**HYCO**

## HYCO - TELESCOPIC CYLINDERS 70000 SERIES - SINGLE ACTING

### Multiple Stage Kits

Ref. Number	Desc.	\$	Ref. Number	Desc.	\$
RHYC-B15252/46	4.000" - 6.000" PACK KIT	241.43	RHYC-B15252/500	5.000" PACK KIT	79.54
RHYC-B15252/47	4.000" - 7.000" PACK KIT	328.77	RHYC-B15252/57	5.000" - 7.000" PACK KIT	264.40
RHYC-B15252-48-1/8	4.000" - 8.125" PACK KIT	507.29	RHYC-B15252-58-1/8	5.000" - 8.125" PACK KIT	434.22
RHYC-B15252-49-3/8	4.000" - 9.375" PACK KIT	803.10			

### Retainer Rings

Ref. Number	Desc.	\$
RHYC-B9971/350	03.000" STAGE - RETAINER RING	31.68
RHYC-B9971/450	04.000" STAGE - RETAINER RING	31.68
RHYC-B9971/550	05.000" STAGE - RETAINER RING	32.16
RHYC-B9971/650	06.000" STAGE - RETAINER RING	32.82
RHYC-B9971/750	07.000" STAGE - RETAINER RING	32.82
RHYC-B9971/862	08.125" STAGE - RETAINER RING	88.72
RHYC-B9971/988	09.375" STAGE - RETAINER RING	127.02

### Piston Wear Rings - Nylon

Ref. Number	Desc.	\$
RHYC-10764/300	03.000" STAGE - PISTON W.RING	4.26
RHYC-10764/400	04.000" STAGE - PISTON W.RING	4.56
RHYC-10764/500	05.000" STAGE - PISTON W.RING	4.56
RHYC-10764/600	06.000" STAGE - PISTON W.RING	5.98
RHYC-10764/700	07.000" STAGE - PISTON W.RING	5.98
RHYC-10764/812	08.125" STAGE - PISTON W.RING	10.71
RHYC-10764/938	09.375" STAGE - PISTON W.RING	20.17

## HYSTER

## KITS

Ref. Number	Desc.	Bore	Rod	\$	Ref. Number	Desc.	Bore	Rod	\$
RHYS-1332565	SEAL KIT	2.250	1.875	43.80	RHYS-170881	SEAL KIT	3.000	1.250	36.69
RHYS-133457	SEAL KIT		5.250	195.36	RHYS-172015	STAGES 4-1/4, 5-1/2"			71.91
RHYS-1334570	SEAL KIT	4.000	3.500	63.47	RHYS-172016	SEAL KIT		6.000	90.74
RHYS-133458	SEAL KIT		4.250	110.42	RHYS-176528	SEAL KIT	4.000	1.500	38.54
RHYS-133459	SEAL KIT		6.000	102.56	RHYS-2026822	SEAL KIT	65.00	35.00	74.68
RHYS-133460	SEAL KIT		4.700	102.38	RHYS-226074	SEAL KIT	3.500	1.500	46.79
RHYS-133462	SEAL KIT		1.750	18.61	RHYS-2302714	SEAL KIT	2.500	28.00	18.21
RHYS-145269	SEAL KIT		3.250	33.81	RHYS-2303974	SEAL KIT	3.750	3.000	44.32
RHYS-148292	SEAL KIT	3.250		49.33	RHYS-250050	SEAL KIT	3.500	1.500	35.98
RHYS-148408	SEAL KIT		3.200	98.79	RHYS-250051	SEAL KIT	3.000	1.250	38.19
RHYS-148409	SEAL KIT		3.500	78.49	RHYS-250550	SEAL KIT	6.000	4.250	114.90
RHYS-148413	SEAL KIT		1.500	12.30	RHYS-250555	SEAL KIT	6.750	4.750	137.98
RHYS-148414	SEAL KIT		1.750	20.30	RHYS-250559	SEAL KIT	7.500	5.250	157.86
RHYS-148970	SEAL KIT		2.750	28.58	RHYS-250603	SEAL KIT	2.500	1.000	44.18
RHYS-149193	SEAL KIT	2.500		18.20	RHYS-250624	STAGES 3.687, 5"			272.90
RHYS-149194	SEAL KIT	2.500	1.750	24.94	RHYS-250932	STAGES 3.187, 4"			172.43
RHYS-149254	SEAL KIT		1.750	17.04	RHYS-250933	STAGES 3.187, 3-3/4"			173.72
RHYS-149258	SEAL KIT		2.000	38.28	RHYS-250937	SEAL KIT	3.525	1.500	105.45
RHYS-149259	SEAL KIT		2.250	22.18	RHYS-250943	STAGES 3-7/10, 5-9/20"			194.03
RHYS-149260	SEAL KIT		1.250	20.94	RHYS-253528	SEAL KIT		1.750	45.94
RHYS-168801	SEAL KIT	3.000	1.000	54.70	RHYS-258117	STAGES 3-1/2, 4-7/10"			244.92

All manufacturer's names, part numbers and descriptions are used for reference purposes only. We do not imply that any part shown is the product of these manufacturers.

INDUSTRIAL  
SEAL KITS

MOBILE  
SEAL KITS

HYCO - HYSTER

## KITS

## HYSTER

Ref. Number	Desc.	Bore	Rod	\$	Ref. Number	Desc.	Bore	Rod	\$
RHYS-270930	SEAL KIT		2.500	78.87	RHYS-334997	SEAL KIT	2.750	1.250	24.62
RHYS-280537	SEAL KIT	2.500	2.125	48.17	RHYS-337281	SEAL KIT	2.000	1.375	34.59
RHYS-281474	SEAL KIT	3.500	1.500	37.76	RHYS-339347	STAGES 4, 5"			146.18
RHYS-281815	SEAL KIT	3.500	1.750	19.34	RHYS-340079	SEAL KIT	2.750	1.750	44.76
RHYS-281822	SEAL KIT	3.000	1.250	17.70	RHYS-355695	SEAL KIT	3.000	1.375	36.82
RHYS-281855	SEAL KIT	3.500	1.750	40.01	RHYS-355909	SEAL KIT	4.000	1.500	52.67
RHYS-281859	SEAL KIT	3.500	2.250	42.59	RHYS-375225	SEAL KIT	4.250	1.750	33.83
RHYS-281864	SEAL KIT	3.500	1.750	19.48	RHYS-376385	SEAL KIT		2.250	66.40
RHYS-282400	SEAL KIT		2.125	76.66	RHYS-381762	SEAL KIT	4.500	2.875	58.07
RHYS-286264	SEAL KIT	3.500	1.875	60.07	RHYS-383991	SEAL KIT	3.000	1.250	35.25
RHYS-318005	STAGES 2-3/4, 3, -3/4"			63.51	RHYS-48628	SEAL KIT	1.625	0.750	17.68
RHYS-321758	SEAL KIT	4.500	2.250	28.69	RHYS-556733	STAGES 2-1/2, 3-1/2"			115.28
RHYS-321909	SEAL KIT	4.750	3.000	105.40	RHYS-638884	SEAL KIT	3.250	2.750	49.81
RHYS-323645	SEAL KIT	4.000	1.750	52.49	RHYS-639456	SEAL KIT	3.500	3.000	56.07
RHYS-327393	SEAL KIT	2.500	2.125	35.25	RHYS-639457	SEAL KIT	4.000	3.000	124.25
RHYS-328074	SEAL KIT	2.750	1.250	21.20	RHYS-643280	SEAL KIT	3.500	3.000	59.32
RHYS-328121	SEAL KIT	3.000	1.250	41.35	RHYS-645059	STAGES 3-1/2, 4-1/2"			135.46
RHYS-328226	SEAL KIT	4.250	1.750	43.00	RHYS-659173	SEAL KIT		3.125	122.16
RHYS-328364	SEAL KIT		1.750	54.46	RHYS-663091	STAGES 3, 3-1/2"			162.99
RHYS-333742	SEAL KIT	3.000	2.125	61.76					

INDUSTRIAL  
SEAL KITS

MOBILE  
SEAL KITS



HYSTER

All manufacturer's names, part numbers and descriptions are used for reference purposes only. We do not imply that any part shown is the product of these manufacturers.

Tel.: (905) 362-0889  
Fax: (888) 238-1664

**KITS 351**

[www.sealsonline.com](http://www.sealsonline.com)

## HYUNDAI

## EXCAVATORS

Model	Application	Bore	Rod	I	Ref. Number RHYU-	\$
				M		
130LC	ARM	115.00	80.00	M	91E6/2712	372.32
	BOOM	105.00	75.00	M	91E6/2711	122.06
	BUCKET	100.00	70.00	M	91E6/2713	132.66
R200, R210LC	ARM	140.00	95.00	M	91E1/2707	430.60
	BOOM	125.00	85.00	M	91E1/2706	382.20
	BUCKET	120.00	80.00	M	91E1/2708	351.54
R280LC, R320LC-1	ARM	150.00	105.00	M	91E2/2708	380.87
	BOOM	145.00	95.00	M	91E2/2707	401.20
	BUCKET	145.00	95.00	M	91E2/2709	384.80
R420LC, R450LC	ARM	185.00	120.00	M	31E7/2712	576.73
	BOOM	160.00	110.00	M	31E7/2711	500.06
	BUCKET	160.00	110.00	M	31E7/2713	649.37

## HYUNDAI

## KIT LISTING

Ref. Number	Desc.	Bore	Rod	\$	Ref. Number	Desc.	Bore	Rod	\$
RHYU-2100/0005	SEAL KIT			482.91	RHYU-91E1/2705	SEAL KIT			0/R
RHYU-31E7/2711	SEAL KIT	160.00	110.00	500.06	RHYU-91E1/2706	SEAL KIT	125.00	85.00	382.20
RHYU-31E7/2712	SEAL KIT	185.00	120.00	576.73	RHYU-91E1/2707	SEAL KIT	140.00	95.00	430.60
RHYU-31E7/2713	SEAL KIT	160.00	110.00	649.37	RHYU-91E1/2708	SEAL KIT	120.00	80.00	351.54
RHYU-31Y1/03560	SEAL KIT	105.00	75.00	211.03	RHYU-91E1/2711	SEAL KIT	105.00	75.00	169.69
RHYU-31Y1/03561	SEAL KIT	105.00	75.00	211.03	RHYU-91E2/2707	SEAL KIT	145.00	95.00	401.20
RHYU-31Y1/03710	SEAL KIT			0/R	RHYU-91E2/2708	SEAL KIT	150.00	105.00	380.87
RHYU-31Y1/03860	SEAL KIT	100.00	70.00	143.41	RHYU-91E2/2709	SEAL KIT	145.00	95.00	384.80
RHYU-31Y1/03861	SEAL KIT			0/R	RHYU-91E6/2711	SEAL KIT	105.00	75.00	122.06
RHYU-31Y6/00290	SEAL KIT	120.00	80.00	179.25	RHYU-91E6/2712	SEAL KIT	115.00	80.00	372.32
RHYU-31YR/09840	SEAL KIT	400.00	300.00	4500.45	RHYU-91E6/2713	SEAL KIT	100.00	70.00	132.66

All manufacturer's names, part numbers and descriptions are used for reference purposes only. We do not imply that any part shown is the product of these manufacturers.

## KITS

## INGERSOLL-RAND

Ref. Number	Desc.	Bore	Rod	\$	Ref. Number	Desc.	Bore	Rod	\$
RIR-50428648	SEAL KIT	5.000	3.000	34.18	RIR-58150798	SEAL KIT	3.500	1.500	39.82
RIR-50779636	SEAL KIT	6.000	3.000	266.40	RIR-59484246	SEAL KIT	2.500	1.125	27.19
RIR-51324887	STAGES 53.00/63.00			192.39	RIR-6589792	SEAL KIT	3.250	1.500	25.47
RIR-51779346	SEAL KIT	1.500	1.250	221.46	RIR-6803329	SEAL KIT	2.000	1.250	25.17
RIR-52163987	SEAL KIT	4.000	3.000	81.75	RIR-6803472	SEAL KIT	2.000	1.000	19.57
RIR-57249450	SEAL KIT	5.500	3.000	316.26	RIR-6804605	SEAL KIT	3.250	1.500	43.43
RIR-57329633	SEAL KIT	6.000	4.500	588.24	RIR-70035308	SEAL KIT	100.00	70.00	307.89
RIR-57512311	SEAL KIT	4.250	3.250	863.01	RIR-70035324	SEAL KIT	100.00	63.00	70.67

## KITS

## INTERNATIONAL HARVESTER

Ref. Number	Desc.	Bore	Rod	\$	Ref. Number	Desc.	Bore	Rod	\$
RIH-1124732C94	SEAL KIT	3.000	1.500	75.41	RIH-626232C2	SEAL KIT	3.500	2.250	36.22
RIH-1124738C91	SEAL KIT	4.000	1.500	42.53	RIH-626233C2	SEAL KIT	4.000	2.500	37.62
RIH-1124745C91	SEAL KIT	4.000	2.000	65.11	RIH-626234C3	SEAL KIT	4.000	1.750	33.06
RIH-1124749C91	SEAL KIT	4.500	2.750	65.81	RIH-63577C91	SEAL KIT	4.000	2.250	56.92
RIH-1124749C93	SEAL KIT	4.500	2.750	59.02	RIH-63581C91	SEAL KIT	3.500	2.250	55.66
RIH-1124749C94	SEAL KIT	4.500	2.750	89.39	RIH-636139C91	SEAL KIT	5.000	2.750	161.59
RIH-1124757C94	SEAL KIT	5.500	2.750	280.19	RIH-636144C91	SEAL KIT	5.500	2.500	73.84
RIH-1124774C93	SEAL KIT	7.000	3.500	305.45	RIH-636145C91	SEAL KIT	5.500	2.500	85.38
RIH-1124853C95	SEAL KIT	8.000	4.000	392.78	RIH-636146C91	SEAL KIT	5.500	3.000	126.44
RIH-1124867C91	STAGES 3-3/4, 5-3/4, 6-3/4"			934.13	RIH-636147C91	SEAL KIT	3.500	3.000	79.07
RIH-1126587C91	SEAL KIT	3.500	2.000	50.37	RIH-636149C91	SEAL KIT	6.500	2.500	155.76
RIH-1126592C91	SEAL KIT	4.500	2.750	58.37	RIH-636229C91	SEAL KIT	6.500	2.750	160.95
RIH-1126614C91	SEAL KIT	6.500	2.500	80.34	RIH-636230C91	SEAL KIT	7.000	3.000	113.29
RIH-386693R92	SEAL KIT	2.500	1.500	28.35	RIH-63698C91	SEAL KIT	3.000	2.000	35.12
RIH-471270R95	SEAL KIT	2.500	1.500	50.13	RIH-679325C91	SEAL KIT	4.500	2.250	58.62
RIH-533625R93	SEAL KIT	4.500	2.500	52.25	RIH-679328C91	SEAL KIT	5.000	2.750	167.79
RIH-533626R93	SEAL KIT	4.000	2.500	52.95	RIH-679330C91	SEAL KIT	6.500	2.750	101.41
RIH-545299R92	SEAL KIT	3.500	2.250	50.67	RIH-679331C91	SEAL KIT	6.500	2.750	85.22
RIH-545300R93	SEAL KIT	4.500	2.250	56.37	RIH-679332C91	SEAL KIT	7.000	3.000	191.33
RIH-545829R93	SEAL KIT	3.500	2.000	49.79	RIH-906000	TRACK ADJUSTER			17.98
RIH-545831R93	SEAL KIT	4.000	2.250	50.17	RIH-906001	TRACK ADJUSTER			18.08
RIH-546214R93	SEAL KIT	3.500	2.000	36.35	RIH-906004	TRACK ADJUSTER			36.43
RIH-609615C1	SEAL KIT	2.500	2.500	22.92	RIH-933310C91	SEAL KIT	9.000	4.500	230.99
RIH-622825C91	TRACK ADJUSTER			18.97	RIH-933419C91	SEAL KIT	4.000	2.000	57.52
RIH-626199C1	SEAL KIT	3.000	1.500	28.37	RIH-935799C91	SEAL KIT	4.000	1.500	52.67
RIH-626230C3	SEAL KIT	3.500	1.750	32.05	RIH-943746C91	SEAL KIT	3.000	1.000	23.65
RIH-626230C6	SEAL KIT	3.500	1.750	78.98					

All manufacturer's names, part numbers and descriptions are used for reference purposes only. We do not imply that any part shown is the product of these manufacturers.

**Tel.: (204) 783-9617**  
**Fax: (204) 783-6091**

**KITS 353**

**www.sealsonline.com**

INDUSTRIAL  
SEAL KITS

MOBILE  
SEAL KITS

I.RAND - I.HARVESTER

## JCB

## BACKHOE/LOADERS

Model	Application	Serial Number	Cylinder Number	Bore	Rod	I	Ref. Number RJBC-	\$
						M		
1400, 1400B	BOOM	M337001-M399999	561-31200	110.00	60.00	M	991/00131	75.09
		M337001-M399999	561-60011	110.00	60.00	M	991/00131	75.09
		M337001-M399999	561-39000	110.00	60.00	M	991/00131	75.09
	CLAMSHOVEL	TO M435696	556-23700	70.00	40.00	M	991/00122	49.07
		M337001-M399999	556-31900	70.00	40.00	M	991/00122	49.07
	DIPPER	M337001-M399999	557-16600	90.00	50.00	M	991/00127	69.82
	EXTENSION	M337001-M399999	557-12900	90.00	50.00	M	991/00127	69.82
		M337001-M399999	559-50000	100.00	60.00	M	991/00130	72.78
		M337001-M399999	559-44000	100.00	60.00	M	991/00130	72.78
		M337001-M399999	556-31000	70.00	40.00	M	991/00122	49.07
M337001-M399999		556-23800	70.00	40.00	M	991/00122	49.07	
M337001-M399999		560-34300	4.000	2.000	I	991/00003	48.32	
JAW BUCKET	LIFT	M337001-M399999	576-14100	80.00	50.00	M	991/00123	68.69
	SHOVEL	M337001-M399999	556-23900	70.00	40.00	M	991/00122	49.07
	STABILIZER	M337001-M399999	556-23600	70.00	40.00	M	991/00122	49.07
	STABILIZER L.H.	M337001-M399999	559-53600	100.00	60.00	M	991/00130	72.78
	STABILIZER R.H.	M337001-M399999	559-60004	100.00	60.00	M	991/00130	72.78
		M337001-M399999	559-36300	100.00	60.00	M	991/00130	72.78
	STEERING	M337001-M399999	559-60005	100.00	60.00	M	991/00130	72.78
		M337001-M399999	559-53700	100.00	60.00	M	991/00130	72.78
		M337001-M399999	559-36400	100.00	60.00	M	991/00130	72.78
		M337001-M399999	556-46400	70.00	30.00	M	991/00036	38.22
SWING L.H. SWING R.H.	M337001-M399999	556-46500	70.00	30.00	M	991/00036	38.22	
	M337001-M399999	556-46500	70.00	30.00	M	991/00099	51.39	
	M337001-M399999	556-46400	70.00	30.00	M	991/00099	51.39	
1550, 1550B	BOOM	M337001-M399999	559-53400	100.00	60.00	M	991/00130	72.78
	BUCKET	M337001-M399999	559-53500	100.00	60.00	M	991/00130	72.78
	CLAMSHOVEL	M337001-M399999	563-15500	120.00	65.00	M	991/00135	87.83
JAW BUCKET	BUCKET	M337001-M399999	557-12900	90.00	50.00	M	991/00127	69.82
	M337001-M399999	557-16000	90.00	50.00	M	991/00127	69.82	
	M337001-M399999	559-16600	90.00	50.00	M	991/00127	69.82	
	M337001-M399999	559-16600	90.00	50.00	M	991/00127	69.82	
	CLAMSHOVEL	M337001-M399999	556-44000	70.00	40.00	M	991/00122	49.07
	M337001-M399999	556-31900	70.00	40.00	M	991/00122	49.07	
	DIPPER	M337001-M399999	556-23700	70.00	40.00	M	991/00122	49.07
		M337001-M399999	559-50200	100.00	60.00	M	991/00130	72.78
		M337001-M399999	559-43200	100.00	60.00	M	991/00130	72.78
	EXTENSION- LONG TYPE	M337001-M399999	559-43200	100.00	60.00	M	991/00130	72.78
M337001-M399999		556-23800	70.00	40.00	M	991/00122	49.07	
M337001-M399999		556-44500	70.00	40.00	M	991/00122	49.07	
JAW BUCKET	M337001-M399999	556-31000	70.00	40.00	M	991/00122	49.07	
	M337001-M399999	560-34300	4.000	2.000	I	991/00003	48.32	
LIFT SHOVEL STABILIZER	LIFT	M337001-M399999	576-14100	80.00	50.00	M	991/00123	68.69
	SHOVEL	M337001-M399999	556-23900	70.00	40.00	M	991/00122	49.07
	STABILIZER	M337001-M399999	559-36400	100.00	60.00	M	991/00130	72.78
	M337001-M399999	559-53700	100.00	60.00	M	991/00130	72.78	
	M337001-M399999	559-60005	100.00	60.00	M	991/00130	72.78	

All manufacturer's names, part numbers and descriptions are used for reference purposes only. We do not imply that any part shown is the product of these manufacturers.

INDUSTRIAL  
SEAL KITS

MOBILE  
SEAL KITS

JCB

## BACKHOE/LOADERS

JCB

INDUSTRIAL  
SEAL KITS

MOBILE  
SEAL KITS

JCB

Model	Application	Serial Number	Cylinder Number	Bore	Rod	I	Ref. Number RJBC-	\$
						M		
	STEERING	M337001-M399999	556-33800	70.00	30.00	M	991/00036	38.22
		M337001-M399999	556-33800	70.00	30.00	M	991/00099	51.39
		M337001-M399999	556-34000	70.00	30.00	M	991/00099	51.39
		M337001-M399999	556-46400	70.00	30.00	M	991/00099	51.39
		M337001-M399999	556-46500	70.00	30.00	M	991/00099	51.39
		M337001-M399999	556-27600	70.00	30.00	M	991/00036	38.22
	SWING	M337001-M399999	556-28700	70.00	30.00	M	991/00036	38.22
		M337001-M399999	556-34000	70.00	30.00	M	991/00036	38.22
		M337001-M399999	559-53400	100.00	60.00	M	991/00130	72.78
<b>1700B</b>	BUCKET	M337001-M399999	557-12900	90.00	50.00	M	991/00127	69.82
		M337001-M399999	557-16000	90.00	50.00	M	991/00127	69.82
		M337001-M399999	557-16600	90.00	50.00	M	991/00127	69.82
		M337001-M399999	559-36100	100.00	60.00	M	991/00130	72.78
	CLAMSHOVEL	TO M435696	556-23700	70.00	40.00	M	991/00122	49.07
		M337001-M399999	556-44000	70.00	40.00	M	991/00122	49.07
	EXTENSION	M337001-M399999	556-23800	70.00	40.00	M	991/00122	49.07
		M337001-M399999	556-31000	70.00	40.00	M	991/00122	49.07
		M337001-M399999	556-44500	70.00	40.00	M	991/00122	49.07
	JAW BUCKET	M337001-M399999	560-34300	4.000	2.000	I	991/00003	48.32
LIFT	M337001-M399999	576-14100	80.00	50.00	M	991/00123	68.69	
SHOVEL	M337001-M399999	576-20200	80.00	50.00	M	991/00123	68.69	
	STABILIZER L.H.	M337001-M399999	576-14300	80.00	50.00	M	991/00123	68.69
		M337001-M399999	559-36300	100.00	60.00	M	991/00130	72.78
		M337001-M399999	559-53600	100.00	60.00	M	991/00130	72.78
	STABILIZER R.H.	M337001-M399999	559-60004	100.00	60.00	M	991/00130	72.78
		M337001-M399999	559-53700	100.00	60.00	M	991/00130	72.78
		M337001-M399999	559-36400	100.00	60.00	M	991/00130	72.78
	STEERING	M337001-M399999	559-60005	100.00	60.00	M	991/00130	72.78
		M337001-M399999	556-46400	70.00	30.00	M	991/00099	51.39
		M337001-M399999	556-46500	70.00	30.00	M	991/00099	51.39
		M337001-M399999	556-27600	70.00	30.00	M	991/00036	38.22
		M337001-M399999	556-46500	70.00	30.00	M	991/00036	38.22
SWING L.H.	M337001-M399999	559-53400	100.00	60.00	M	991/00130	72.78	
SWING R.H.	M337001-M399999	559-53500	100.00	60.00	M	991/00130	72.78	
<b>208S, 208S HF</b>	BUCKET 8' 4"	M751600-UP	556-60049	70.00	40.00	M	991/00100	40.80
	BOOM	M751600-UP	556-60025	70.00	40.00	M	991/00100	40.80
	BUCKET 7' 3"	M751600-UP	556-60026	70.00	40.00	M	991/00100	40.80
	CLAMSHOVEL	M751600-UP	551-60021	50.00	25.00	M	991/00097	36.60
		M751600-UP	980-38800	50.00	25.00	M	991/00097	36.60
	DIPPER	M751600-UP	556-60027	70.00	40.00	M	991/00100	40.80
	HIGHTIP	M751600-UP	997-07700	2.000	1.375	I	903/10301	102.34
	LIFT	M751600-UP	553-60005	60.00	30.00	M	991/00098	48.54
	SHOVEL	M751600-UP	553-60004	60.00	30.00	M	991/00098	48.54
	SIDETIP	M751600-UP	997-0090	2.500	1.500	I	997/00908	123.09

All manufacturer's names, part numbers and descriptions are used for reference purposes only. We do not imply that any part shown is the product of these manufacturers.

Tel.: (780) 414-1871  
Fax: (780) 487-5419

**KITS 355**

[www.sealsonline.com](http://www.sealsonline.com)



## JCB

## BACKHOE/LOADERS

Model	Application	Serial Number	Cylinder Number	Bore	Rod	I	Ref. Number RJBC-	\$
						M		
210S, 210SU	STABILIZER	M751600-UP	553-60006	60.00	30.00	M	991/00098	48.54
	BUCKET EXTENSION	M762248-M769999	556-60000	70.00	40.00	M	991/00100	40.80
		M762248-M769999	553-60010	60.00	30.00	M	991/00098	48.54
	LIFT	M762248-M769999	553-60022	60.00	30.00	M	991/00098	48.54
		M762248-M769999	556-60017	70.00	40.00	M	991/00100	40.80
	LIFT L.H.	M762248-M769999	556-60023	70.00	40.00	M	991/00100	40.80
	LIFT R.H.	M762248-M769999	556-60024	70.00	40.00	M	991/00100	40.80
	SHOVEL	M762248-M769999	556-60084	70.00	40.00	M	991/00100	40.80
214	STABILIZER	M762248-M769999	556-60003	70.00	40.00	M	991/00100	40.80
	SWING	M762248-M769999	556-60093	70.00	40.00	M	991/00100	40.80
		M762248-M769999	556-60010	70.00	40.00	M	991/00100	40.80
	BOOM	M400001-M430000	561-39100	110.00	60.00	M	991/00131	75.09
		M400001-M430000	561-39100	110.00	60.00	M	991/00131	75.09
	BUCKET	M400001-M430000	561-60028	110.00	60.00	M	991/00110	67.03
		M400001-M430000	561-90011	110.00	60.00	M	991/00110	67.03
	CLAMSHOVEL	M400001-M430000	557-16000	90.00	50.00	M	991/00127	69.82
M400001-M430000		557-16600	90.00	50.00	M	991/00103	53.93	
M400001-M430000		557-60006	90.00	50.00	M	991/00013	45.26	
M400001-M430000		556-44000	70.00	40.00	M	991/00095	48.59	
DIPPER	M400001-M430000	556-60019	70.00	40.00	M	991/00095	48.59	
	M400001-M430000	556-31900	70.00	40.00	M	991/00025	48.48	
	M400001-M430000	559-50000	100.00	60.00	M	991/00055	72.78	
	M400001-M430000	559-50100	100.00	60.00	M	991/00055	72.78	
EXTENSION	M400001-M430000	559-60009	100.00	60.00	M	991/00145	67.35	
	M400001-M430000	559-60019	100.00	60.00	M	991/00145	67.35	
	M400001-M430000	556-44500	70.00	40.00	M	991/00100	40.80	
	M400001-M430000	556-60057	70.00	40.00	M	991/00100	40.80	
	M400001-M430000	556-31000	70.00	40.00	M	991/00025	48.48	
	M400001-M430000	556-45400	70.00	40.00	M	991/00025	48.48	
JAW BUCKET	M400001-M430000	560-34300	4.000	2.000	I	991/00003	48.32	
LIFT	M400001-M430000	576-22100	80.00	50.00	M	991/00123	68.69	
	M400001-M430000	576-60000	80.00	50.00	M	991/00102	65.41	
SHOVEL	M400001-M430000	556-28900	70.00	40.00	M	991/00025	48.48	
	M400001-M430000	556-44700	70.00	40.00	M	991/00095	48.59	
STABILIZER	M400001-M430000	559-60004	100.00	60.00	M	991/00145	67.35	
STEERING	M400001-M430000	559-60005	100.00	60.00	M	991/00145	67.35	
	M400001-M430000	559-53600	100.00	60.00	M	991/00055	72.78	
	M400001-M430000	559-53700	100.00	60.00	M	991/00055	72.78	
	M400001-M430000	556-43700	70.00	40.00	M	991/00095	48.59	
	M400001-M430000	556-33800	70.00	30.00	M	991/00099	51.39	
	M400001-M430000	556-34000	70.00	30.00	M	991/00099	51.39	
	M400001-M430000	556-46400	70.00	30.00	M	991/00099	51.39	
	M400001-M430000	556-46500	70.00	30.00	M	991/00099	51.39	
SWING	M400001-M430000	559-53400	100.00	60.00	M	991/00055	72.78	
	M400001-M430000	559-53500	100.00	60.00	M	991/00055	72.78	

All manufacturer's names, part numbers and descriptions are used for reference purposes only. We do not imply that any part shown is the product of these manufacturers.

INDUSTRIAL SEAL KITS

MOBILE SEAL KITS

JCB

## BACKHOE/LOADERS

JCB

INDUSTRIAL  
SEAL KITS

MOBILE  
SEAL KITS

JCB

Model	Application	Serial Number	Cylinder Number	Bore	Rod	I	Ref. Number RJBC-	\$
						M		
214E	BOOM	M430001-UP	561-60028	110.00	60.00	M	991/00110	67.03
	BUCKET	M430001-UP	561-60006	90.00	50.00	M	991/00103	53.93
	DIPPER	M430001-UP	559-60019	100.00	60.00	M	991/00145	67.35
	EXTENSION	M430001-UP	556-60057	70.00	40.00	M	991/00100	40.80
	LIFT	M430001-UP	576-60000	80.00	50.00	M	991/00102	65.41
	SHOVEL	M430001-UP	556-44700	70.00	40.00	M	991/00100	40.80
	STABILIZER L.H.	M430001-UP	559-60004	100.00	60.00	M	991/00145	67.35
	STABILIZER R.H.	M430001-UP	559-60005	100.00	60.00	M	991/00145	67.35
	STEERING	M430001-UP	556-46400	70.00	30.00	M	991/00099	51.39
	SWING	M430001-UP	556-46500	70.00	30.00	M	991/00099	51.39
214SM-4	BOOM LIFT	M460001-UP	563-60028	120.00	65.00	M	991/00115	93.85
	BUCKET	M460001-UP	563-60029	120.00	65.00	M	991/00115	93.85
		M460001-UP	557-60006	90.00	50.00	M	991/00103	53.93
		M460001-UP	557-60016	90.00	50.00	M	991/00103	53.93
		M460001-UP	557-60030	90.00	60.00	M	991/00147	86.91
	CLAMSHOVEL	M460001-UP	556-60077	70.00	40.00	M	991/00100	40.80
	DIPPER LIFT	M460001-UP	561-60060	110.00	60.00	M	991/00148	95.46
		M460001-UP	561-60061	110.00	60.00	M	991/00148	95.46
		M460001-UP	561-60071	110.00	60.00	M	991/00148	95.46
	EXTENSION	M460001-UP	556-60057	70.00	40.00	M	991/00100	40.80
JAW BUCKET	M460001-UP	560-34300	4.000	2.000	I	991/00003	48.32	
LIFT	M460001-UP	576-60000	80.00	50.00	M	991/00102	65.41	
215-4 Centermount Series 3	SHOVEL	M460001-UP	556-44700	70.00	40.00	M	991/00100	40.80
	STABILIZER	M460001-UP	559-60063	100.00	60.00	M	991/00145	67.35
		M460001-UP	559-60069	100.00	60.00	M	991/00152	64.61
		M460001-UP	573-20001	75.00	45.00	M	991/00156	82.51
	STEERING	M460001-UP	559-60069	100.00	60.00	M	991/00152	64.61
	SWING	M460001-UP	559-60069	100.00	60.00	M	991/00152	64.61
215-4 Centermount Series 3	BOOM	M460001-UP	556-60004	140.00	70.00	M	991/00144	151.58
	BUCKET	M460001-UP	559-60024	100.00	60.00	M	991/00145	67.35
		M460001-UP	559-60074	100.00	60.00	M	991/00145	67.35
	CLAMSHOVEL	M460001-UP	556-60077	70.00	40.00	M	991/00100	40.80
	DIPPER	M460001-UP	561-60048	110.00	65.00	M	991/00146	79.66
		M460001-UP	561-60085	110.00	65.00	M	991/00146	79.66
	EXTENSION	M460001-UP	556-60057	70.00	40.00	M	991/00100	40.80
	JAW BUCKET	M460001-UP	560-34300	4.000	2.000	I	991/00003	48.32
	LIFT	M460001-UP	576-60000	80.00	50.00	M	991/00102	65.41
	SHOVEL	M460001-UP	556-44700	70.00	40.00	M	991/00100	40.80
SHOVEL c/w reset bracket	M460001-UP	556-60022	70.00	40.00	M	991/00100	40.80	
STABILIZER	M460001-UP	669-60063	100.00	60.00	M	991/00145	67.35	
STEERING	M460001-UP	573-10001	75.00	45.00	M	991/00156	82.51	
SWING	M460001-UP	559-60069	100.00	60.00	M	991/00152	64.61	

All manufacturer's names, part numbers and descriptions are used for reference purposes only. We do not imply that any part shown is the product of these manufacturers.

Tel.: (403) 279-1871  
Fax: (403) 279-1821

**KITS 357**

[www.sealsonline.com](http://www.sealsonline.com)

## JCB

## BACKHOE/LOADERS

Model	Application	Serial Number	Cylinder Number	Bore	Rod	I	Ref. Number RJBC-	\$
						M		
215S	BOOM	M400001-M430000	563-60007	120.00	65.00	M	991/00115	93.85
		M400001-M430000	563-22600	120.00	65.00	M	991/00135	87.83
		M400001-M430000	565-60004	130.00	70.00	M	991/00120	115.19
	BUCKET	M400001-M430000	557-16600	90.00	50.00	M	991/00103	53.93
		M400001-M430000	557-16000	90.00	50.00	M	991/00127	69.82
		CLAMSHOVEL	M400001-M430000	556-44000	70.00	40.00	M	991/00095
	DIPPER	M400001-M430000	556-60019	70.00	40.00	M	991/00095	48.59
		M400001-M430000	556-60051	70.00	40.00	M	991/00095	48.59
		M400001-M430000	553-13800	70.00	40.00	M	991/00122	49.07
		M400001-M430000	559-60013	100.00	60.00	M	991/00145	67.35
		M400001-M430000	559-50200	100.00	60.00	M	991/00130	72.78
		EXTENSION	M400001-M430000	556-45400	70.00	40.00	M	991/00122
	JAW BUCKET LIFT	M400001-M430000	556-31000	70.00	40.00	M	991/00122	49.07
		M400001-M430000	556-44500	70.00	40.00	M	991/00095	48.59
		M400001-M430000	560-34300	4.000	2.000	I	991/00003	48.32
		M400001-M430000	557-16100	90.00	50.00	M	991/00127	69.82
		M400001-M430000	557-13100	90.00	50.00	M	991/00127	69.82
		M400001-M430000	557-60000	90.00	50.00	M	991/00103	53.93
SHOVEL	M400001-M430000	557-60004	90.00	50.00	M	991/00103	53.93	
	M400001-M430000	556-44700	70.00	40.00	M	991/00095	48.59	
	M400001-M430000	556-60022	70.00	40.00	M	991/00095	48.59	
STABILIZER	M400001-M430000	556-28900	70.00	40.00	M	991/00122	49.07	
	M400001-M430000	559-60004	100.00	60.00	M	991/00145	67.35	
	M400001-M430000	559-60005	100.00	60.00	M	991/00145	67.35	
STEERING F.A.L.H.	M400001-M430000	559-53600	100.00	60.00	M	991/00130	72.78	
	M400001-M430000	559-53700	100.00	60.00	M	991/00130	72.78	
	M400001-M430001	553-09600	60.00	30.00	M	991/00098	48.54	
	M400001-M430002	553-09700	60.00	30.00	M	991/00098	48.54	
	M400001-M430003	553-13400	60.00	30.00	M	991/00098	48.54	
	M400001-M430004	553-13600	60.00	30.00	M	991/00098	48.54	
STEERING R.A.L.H.	M400001-M430000	553-09800	60.00	30.00	M	991/00098	48.54	
	M400001-M430000	553-09900	60.00	30.00	M	991/00098	48.54	
	M400001-M430000	553-13800	60.00	30.00	M	991/00098	48.54	
	M400001-M430000	553-14100	60.00	30.00	M	991/00098	48.54	
	M400001-M430000	553-14300	60.00	30.00	M	991/00098	48.54	
SWING	M400001-M430001	559-52800	100.00	60.00	M	991/00130	72.78	
3CX	BACKHOE BOOM & STICK	M400001-M430002	559-52900	100.00	60.00	M	991/00130	72.78
		M400001-M430003	559-53400	100.00	60.00	M	991/00130	72.78
		M400001-M430004	559-53500	100.00	60.00	M	991/00130	72.78
3CX	BACKHOE BUCKET	M319999		100.00	60.00	M	991/00012	50.47
		M320000-UP TO M319999		100.00	60.00	M	991/00055	72.78
	LOADER LIFT	M320000-UP TO M319999		90.00	50.00	M	991/00013	45.26
		M320000-UP TO M319999		90.00	50.00	M	991/00096	62.70
		M320000-UP TO M319999		80.00	50.00	M	991/00061	55.63
				80.00	50.00	M	991/00016	48.48

All manufacturer's names, part numbers and descriptions are used for reference purposes only. We do not imply that any part shown is the product of these manufacturers.

INDUSTRIAL SEAL KITS

MOBILE SEAL KITS

JCB

## BACKHOE/LOADERS

JCB

INDUSTRIAL  
SEAL KITS

MOBILE  
SEAL KITS

JCB

Model	Application	Serial Number	Cylinder Number	Bore	Rod	I	Ref. Number RJBC-	\$
						M		
<b>3CX SITEMASTER</b>	LOADER TILT	M320000-UP TO M319999		70.00 70.00	40.00 40.00	M M	991/00025 991/00015	48.48 31.89
	STABILIZER (HEAVY DUTY)	M320000-UP TO M319999		100.00 100.00	60.00 60.00	M M	991/00055 991/00012	72.78 50.47
	STABILIZER (STANDARD)	M320000-UP TO M319999		70.00 70.00	40.00 40.00	M M	991/00025 991/00015	48.48 31.89
	STEERING - 2WD	M290000-M300725 M300726-M337000 M337001-M356443		60.00 60.00 70.00	30.00 30.00 30.00	M M M	991/00017 991/00021 991/00036	50.63 41.98 38.22
	STEERING - 4WD	M290000-M297207 M297208-M319999 M320000-M337000		60.00 60.00 60.00	30.00 30.00 30.00	M M M	991/00017 991/00020 991/00021	50.63 25.91 41.98
	STICK EXTENSION	TO M319999 M320000-UP		70.00 70.00	40.00 40.00	M M	991/00015 991/00025	31.89 48.48
	SWING	M320000-UP TO M319999		100.00 100.00	60.00 60.00	M M	991/00055 991/00012	72.78 50.47
	SWING WITH SIDE SHIFT	TO M319999		110.00		M	991/00018	26.93
	BACKHOE BOOM	M320000-UP		110.00	60.00	M	991/00058	65.36
	BACKHOE BUCKET	M320000-UP		90.00	50.00	M	991/00096	62.70
	LOADER LIFT	M320000-UP		80.00	50.00	M	991/00061	55.63
	LOADER LIFT	M320000-UP		70.00	40.00	M	991/00025	48.48
	STABILIZER (HEAVY DUTY)	M320000-UP		100.00	60.00	M	991/00055	72.78
	STABILIZER (STANDARD)	M320000-UP		70.00	40.00	M	991/00025	48.48
	STEERING - 2WD	M337001-M356443 M300726-M337000		70.00 60.00	30.00 30.00	M M	991/00036 991/00021	38.22 41.98
	STEERING - 4WD	M290000-M297206 M297207-M319999 M320000-M337000		60.00 60.00 60.00	30.00 30.00 30.00	M M M	991/00017 991/00020 991/00021	50.63 25.91 41.98
	STICK	M320000-UP		100.00	60.00	M	991/00055	72.78
	STICK EXTENSION	M320000-UP		70.00	40.00	M	991/00025	48.48
	SWING	M320000-UP		100.00	60.00	M	991/00055	72.78
	<b>4CN &amp; 4C TURBO</b>	BACKHOE BOOM	TO M319999 M320000-UP		110.00 110.00	60.00 60.00	M M	991/00014 991/00058
BACKHOE BUCKET		TO M319999 M320000-UP		90.00 90.00	50.00 50.00	M M	991/00013 991/00096	45.26 62.70
LOADER LIFT		TO M319999 M320000-UP		80.00 80.00	50.00 50.00	M M	991/00016 991/00061	48.48 55.63
LOADER TILT		TO M319999 M320000-UP		70.00 70.00	40.00 40.00	M M	991/00015 991/00025	31.89 48.48
STABILIZER		TO M319999 M320000-UP		100.00 100.00	60.00 60.00	M M	991/00012 991/00055	50.47 72.78
STEERING - 2WD		M290000-M300725 M300726-M337000		60.00 60.00	30.00 30.00	M M	991/00017 991/00021	50.63 41.98

All manufacturer's names, part numbers and descriptions are used for reference purposes only. We do not imply that any part shown is the product of these manufacturers.

Tel.: (604) 278-6808  
Fax: (604) 278-6180

**KITS 359**

[www.sealsonline.com](http://www.sealsonline.com)

## JCB

## BACKHOE/LOADERS

Model	Application	Serial Number	Cylinder Number	Bore	Rod	I	Ref. Number RJBC-	\$
						M		
	STEERING - 4WD	M290000-M297207		60.00	30.00	M	991/00017	50.63
		M320000-M337000		60.00	30.00	M	991/00021	41.98
		M337001-M356443		70.00	30.00	M	991/00036	38.22
	STICK	TO M319999		100.00	60.00	M	991/00012	50.47
		M320000-UP		100.00	60.00	M	991/00055	72.78
	STICK EXTENSION	TO M319999		70.00	40.00	M	991/00015	31.89
		M320000-UP		70.00	40.00	M	991/00025	48.48
	SWING (HEAVY DUTY)	TO M319999		110.00	60.00	M	991/00014	48.48
		M320000-UP		110.00	60.00	M	991/00058	65.36
		TO M319999		100.00	60.00	M	991/00012	50.47
SWING (STANDARD)	M320000-UP		100.00	60.00	M	991/00055	72.78	
<b>SITEMASTER</b>	LOADER BOOM	M337001-M399999	561-39000	110.00	60.00	M	991/00131	75.09
	BACKHOE BOOM	M337001-M399999	561-31200	110.00	60.00	M	991/00131	75.09
		M337001-M399999	561-60011	110.00	60.00	M	991/00131	75.09
		M337001-M399999	557-12900	90.00	50.00	M	991/00127	69.82
	BACKHOE BUCKET	M337001-M399999	557-16000	90.00	50.00	M	991/00127	69.82
		M337001-M399999	557-16600	90.00	50.00	M	991/00127	69.82
		M337001-M399999	556-23700	70.00	40.00	M	991/00122	49.07
	CLAMSHOVEL	M337001-M399999	556-31900	70.00	40.00	M	991/00122	49.07
		M337001-M399999	556-44000	70.00	40.00	M	991/00122	49.07
		M337001-M399999	559-44000	100.00	60.00	M	991/00130	72.78
DIPPER	M337001-M399999	559-50000	100.00	60.00	M	991/00130	72.78	
	M337001-M399999	556-23800	70.00	40.00	M	991/00122	49.07	
EXTENSION	M337001-M399999	556-31000	70.00	40.00	M	991/00122	49.07	
	JAW BUCKET	M337001-M399999	556-44500	70.00	40.00	M	991/00122	49.07
		M337001-M399999	560-34300	4.000	2.000	I	991/00003	48.32
		M337001-M399999	576-14100	80.00	50.00	M	991/00123	68.69
	LIFT	M337001-M399999	556-23900	70.00	40.00	M	991/00122	49.07
	SHOVEL	M337001-M399999	559-36400	100.00	60.00	M	991/00130	72.78
	STABILIZER	M337001-M399999	556-46400	70.00	30.00	M	991/00099	51.39
		M337001-M399999	556-46500	70.00	30.00	M	991/00099	51.39
STEERING	M337001-M399999	556-27600	70.00	30.00	M	991/00036	38.22	
	M337001-M399999	556-28700	70.00	30.00	M	991/00036	38.22	
	M337001-M399999	556-34000	70.00	30.00	M	991/00036	38.22	
	M337001-M399999	556-33800	70.00	30.00	M	991/00036	38.22	
	SWING	M337001-M399999	559-53400	100.00	60.00	M	991/00130	72.78

All manufacturer's names, part numbers and descriptions are used for reference purposes only. We do not imply that any part shown is the product of these manufacturers.

INDUSTRIAL SEAL KITS

MOBILE SEAL KITS

JCB

## BACKHOE/LOADERS

JCB

INDUSTRIAL  
SEAL KITS

MOBILE  
SEAL KITS

JCB

Model	Application	Serial Number	Cylinder Number	Bore	Rod	I	Ref. Number RJBC-	\$
						M		
505-19FM	BOX TIPPER, STRIMECH CARRIAGE:	M561011-M579360	983-00130	100.00	50.00	M	983/00154	72.51
	SIDESHIFT	M561011-M579360	547-42101	2.000	0.875	I	547/42102	18.71
	CLAMSHOVEL	M561011-M579360	556-44000	70.000	40.000	M	991/00025	48.48
		M561011-M579360	556-60019	70.00	40.00	M	991/00095	48.59
	DISPLACEMENT	TO M569247	561-24200	110.00	50.00	M	991/00126	53.75
		M561011-M579360	561-60006	110.00	50.00	M	991/00126	53.75
		M561011-M579360	561-60019	110.00	50.00	M	991/00109	69.98
	EXTENSION	M561011-M579360	553-13800	70.00	50.00	M	556/24900K	94.65
	EXTENSION METRIC	M561011-M579360	556-60062	70.00	50.00	M	991/00105	68.96
	LIFT	TO M569262	561-42800	110.00	60.00	M	991/00131	75.09
		M561011-M579360	561-60017	110.00	60.00	M	991/00110	67.03
		TO M567495	561-23600	110.00	60.00	M	991/00131	75.09
		M561011-M579360	561-60005	110.00	60.00	M	991/00131	75.09
	LIFT + FLOAT	M561011-M579360	561-60039	110.00	60.00	M	991/00110	67.03
	LOG GRAB	M561011-M579360	545-45300	2.375	1.500	I	545/45307	41.23
	MANURE FORK	M561011-M579360	980-35601	3.000	1.500	I	980/35603	57.62
	STEERING	M561011-M579360	551-06200	50.00	25.00	M	993/46200K	45.10
	FRONT AXLE							
	STEERING FRONT & REAR AXLES	TO M568555	551-08500	50.00	25.00	M	991/00054	49.07
		M561011-M579360	551-06400	50.00	25.00	M	991/00071	37.52
		M561011-M579360	551-10100	50.00	25.00	M	991/00097	36.60
	STEERING FRONT,	M561011-M579360	993-46200	50.00	25.00	M	993/46200K	45.10
	JCB OPTION							
	STEERING	M561011-M579360	551-06300	50.00	25.00	M	993/46200K	45.10
	REAR AXLE							
	STEERING REAR, JCB OPTION	M561011-M579360	993-46400	50.00	25.00	M	993/46200K	45.10
	TILT	M561011-M579360	553-02000	60.00	30.00	M	991/00021	41.98
		M561011-M579360	553-04300	60.00	30.00	M	991/00021	41.98
		M561011-M579360	561-60020	110.00	50.00	M	991/00109	69.98
		TO M561307	561-23900	110.00	50.00	M	991/00126	53.75
		TO M569262	561-33500	110.00	50.00	M	991/00126	53.75
		M561011-M579360	561-60009	110.00	50.00	M	991/00126	53.75
	TILT, BOOM FLOAT	M561011-M579360	561-60038	110.00	50.00	M	991/00109	69.98
	TOW HITCH	M561011-M579360	556-31100	70.00	30.00	M	991/00069	29.40
		M561011-M579360	556-46700	70.00	30.00	M	991/00099	51.39
505-22 SWAY	BOX TIPPER, STRIMECH CARRIAGE:	M561011-M579360	983-00130	100.00	50.00	M	983/00154	72.51
	SIDESHIFT	M561011-M579360	547-42101	2.000	0.875	M	547/42102	18.71
	CLAMSHOVEL	M561011-M579360	993-34500	2.500	1.000	M	993/34509	20.21
		M561011-M579360	556-60019	70.00	40.00	M	991/00095	48.59
		M561011-M579360	556-44000	70.00	40.00	M	991/00025	48.48
	DISPLACEMENT	TO M569237	561-32400	110.00	50.00	M	991/00126	53.75
		M561011-M579360	561-60008	110.00	50.00	M	991/00126	53.75
		M561011-M579360	561-60025	110.00	50.00	M	991/00126	53.75

All manufacturer's names, part numbers and descriptions are used for reference purposes only. We do not imply that any part shown is the product of these manufacturers.

Tel.: (418) 688-3202  
Fax: (418) 688-4272

**KITS 361**

[www.sealsonline.com](http://www.sealsonline.com)

## JCB

## BACKHOE/LOADERS

Model	Application	Serial Number	Cylinder Number	Bore	Rod	I	Ref. Number RJBC-	\$
						M		
	EXTENSION	M561011-M579360	556-32700	70.00	50.00	M	556/24900K	94.65
	LIFT	M561011-M579360	556-60050	70.00	50.00	M	991/00105	68.96
		TO M567495	561-24500	110.00	60.00	M	991/00131	75.09
		TO M569149	561-42700	110.00	60.00	M	991/00131	75.09
		M561011-M579360	561-60004	110.00	60.00	M	991/00131	75.09
		M561011-M579360	561-60015	110.00	60.00	M	991/00110	67.03
LOG GRAB	M561011-M579360	545-45300	2.375	1.500	I	545/45307	41.23	
MANURE FORK	M561011-M579360	980-35601	3.000	1.500	I	980/35603	57.62	
STEERING FRONT AXLE	M561011-M579360	551-06200	50.00	25.00	M	993/46200K	45.10	
STEERING FRONT & REAR AXLES	M561011-M579360	551-06400	50.00	25.00	M	991/00071	37.52	
		TO M568555	551-08500	50.00	25.00	M	991/00054	49.07
	STEERING FRONT, JCB OPTION	M561011-M579360	551-10100	50.00	25.00	M	991/00097	36.60
		M561011-M579360	993-46200	50.00	25.00	M	993/46200K	45.10
	STEERING REAR AXLE	M561011-M579360	551-06300	50.00	25.00	M	993/46200K	45.10
	STEERING REAR, JCB OPTION	M561011-M579360	993-46400	50.00	25.00	M	993/46200K	45.10
	SWAY	TO M569212	561-24800	110.00	50.00	M	991/00126	53.75
		M561011-M579360	561-60012	110.00	50.00	M	991/00126	53.75
TILT		M561011-M579360	561-60023	110.00	50.00	M	991/00109	69.98
		M561011-M579360	553-02000	60.00	30.00	M	991/00021	41.98
		M561011-M579360	553-04300	60.00	30.00	M	991/00021	41.98
		M561011-M579360	561-60020	110.00	50.00	M	991/00109	69.98
	TOW HITCH	TO M561307	561-23900	110.00	50.00	M	991/00126	53.75
		TO M569262	561-33500	110.00	50.00	M	991/00126	53.75
		M561011-M579360	561-60009	110.00	50.00	M	991/00126	53.75
		M561011-M579360	556-31100	70.00	30.00	M	991/00069	29.40
		M561011-M579360	556-46700	70.00	30.00	M	991/00099	51.39
		M561011-M579360	563-60012	120.00	65.00	M	991/00115	93.85
<b>506B</b>	DISPLACEMENT EXTENSION	M570000-UP	903-05900	110.00	70.00	M	991/00112	104.92
		M570000-UP	903-06100	110.00	70.00	M	991/00112	104.92
	LIFT	M570000-UP	561-60018	110.00	65.00	M	991/00111	101.75
	STEERING FRONT & REAR AXLES	M570000-UP	551-10100	50.00	25.00	M	991/00097	36.60
		M570000-UP	561-60012	110.00	50.00	M	991/00126	53.75
<b>525B-4HL</b>	SWAY	M570000-UP	561-60023	110.00	50.00	M	991/00109	69.98
	TILT	M570000-UP	563-60011	120.00	65.00	M	991/00115	93.85
	ATTACHMENT BOOM LIFT	M272000-M276567	545-45300	2.375	1.500	I	545/45307	41.23
	DISPLACEMENT EXTENSION	M272000-M276567	563-08300	120.00	65.00	M	563/08300K	101.70
		M272000-M276567	561-09900	110.00	60.00	M	991/00058	65.36
		TO M272050	556-08300	70.00	50.00	M	556/08300K	77.02
	M272000-M276567	556-12900	70.00	50.00	M	556/08300K	77.02	
	EXTENSION, with check valve	M272000-M276567	556-13400	70.00	50.00	M	556/08300K	77.02
	LD	M272000-M276567	547-41700	2.500	2.000	I	991/03900	38.49

All manufacturer's names, part numbers and descriptions are used for reference purposes only. We do not imply that any part shown is the product of these manufacturers.

INDUSTRIAL SEAL KITS

MOBILE SEAL KITS

JCB

## BACKHOE/LOADERS

JCB

Model	Application	Serial Number	Cylinder Number	Bore	Rod	I	Ref. Number RJBC-	\$	
						M			
530B-4HL	(1ST STAGE) LIFT, 7' MAST	M272000-M276567	547-41700	3.500	2.875	I	991/03800	55.09	
	(2ND STAGE) TILT	M272000-M276567	561-29600	110.00	60.00	M	561/10200K	103.47	
	TILT, SIDE	M272000-M276567	553-04300	60.00	30.00	M	991/00021	41.98	
	ATTACHMENT BOOM LIFT	M580001-M584435 TO M580970	545-45300 561-13800	2.375 110.00	1.500 60.00	I M	545/45307 991/00014	41.23 48.48	
	CLAMSHOVEL		M580001-M584435	561-22400	110.00	60.00	M	991/00029	61.83
			M580001-M584435	556-31900	70.00	40.00	M	991/00015	31.89
	DISPLACEMENT		M580001-M584435	556-31900	70.00	40.00	M	991/00025	48.48
			M580001-M584435	563-05600	120.00	65.00	M	991/00030	61.67
		EXTENSION INNER	M580001-M584435	557-06700	90.00	60.00	M	557/06700K	108.41
		EXTENSION OUTER	TO M581764	561-17200	110.00	60.00	M	991/00014	48.48
	LIFT, 7' MAST (1ST STAGE)	M580001-M584435	561-29500	110.00	60.00	M	991/00029	61.83	
	LIFT, 7' MAST (2ND STAGE)	M580001-M584435	547-41700	2.500	2.000	I	991/03900	38.49	
	STABILIZER	M580810	559-23100	100.00	60.00	M	991/00012	50.47	
	TILT	M580001-M584435	563-23700	120.00	65.00	M	991/00030	61.67	
	TILT, SIDE	M580001-M584435	553-04300	60.00	30.00	M	991/00021	41.98	

INDUSTRIAL  
SEAL KITS

MOBILE  
SEAL KITS

JCB

All manufacturer's names, part numbers and descriptions are used for reference purposes only. We do not imply that any part shown is the product of these manufacturers.

Tel.: (514) 334-2220  
Fax: (514) 333-8329

**KITS 363**

[www.sealonline.com](http://www.sealonline.com)



## JCB

## KIT LISTING

Ref. Number	Desc.	Bore	Rod	\$	Ref. Number	Desc.	Bore	Rod	\$
RJCB-545/45307	SEAL KIT	2.375	1.500	41.23	RJCB-991/00096	SEAL KIT	90.00	50.00	62.70
RJCB-547/42102	SEAL KIT	2.000	0.875	18.71	RJCB-991/00097	SEAL KIT	50.00	25.00	36.60
RJCB-556/08300K	SEAL KIT	70.00	50.00	77.02	RJCB-991/00098	SEAL KIT	60.00	30.00	48.54
RJCB-556/24900K	SEAL KIT	70.00	50.00	94.65	RJCB-991/00099	SEAL KIT	70.00	30.00	51.39
RJCB-557/06700K	SEAL KIT	90.00	60.00	108.41	RJCB-991/00100	SEAL KIT	70.00	40.00	40.80
RJCB-561/10200K	SEAL KIT	110.00	60.00	103.47	RJCB-991/00102	SEAL KIT	80.00	50.00	65.41
RJCB-563/08300K	SEAL KIT	120.00	65.00	101.70	RJCB-991/00103	SEAL KIT	90.00	50.00	53.93
RJCB-903/10301	SEAL KIT	2.000	1.375	36.55	RJCB-991/00105	SEAL KIT	70.00	50.00	68.96
RJCB-980/35603	SEAL KIT	3.000	1.500	57.62	RJCB-991/00109	SEAL KIT	110.00	50.00	69.98
RJCB-983/00154	SEAL KIT	100.00	50.00	72.51	RJCB-991/00110	SEAL KIT	110.00	60.00	67.03
RJCB-991/00003	SEAL KIT	4.000	2.000	48.32	RJCB-991/00111	SEAL KIT	110.00	65.00	101.75
RJCB-991/00012	SEAL KIT	100.00	60.00	50.47	RJCB-991/00112	SEAL KIT	110.00	70.00	104.92
RJCB-991/00013	SEAL KIT	90.00	50.00	45.26	RJCB-991/00115	SEAL KIT	120.00	65.00	93.85
RJCB-991/00014	SEAL KIT	110.00	60.00	48.48	RJCB-991/00120	SEAL KIT	130.00	70.00	115.19
RJCB-991/00015	SEAL KIT	70.00	40.00	31.89	RJCB-991/00122	SEAL KIT	70.00	40.00	49.07
RJCB-991/00016	SEAL KIT	80.00	50.00	48.48	RJCB-991/00123	SEAL KIT	80.00	50.00	68.69
RJCB-991/00017	SEAL KIT	60.00	30.00	50.63	RJCB-991/00126	SEAL KIT	110.00	50.00	53.75
RJCB-991/00018	SEAL KIT	110.00		26.93	RJCB-991/00127	SEAL KIT	90.00	50.00	69.82
RJCB-991/00020	SEAL KIT	60.00	30.00	25.91	RJCB-991/00130	SEAL KIT	100.00	60.00	72.78
RJCB-991/00021	SEAL KIT	60.00	30.00	41.98	RJCB-991/00131	SEAL KIT	110.00	60.00	75.09
RJCB-991/00025	SEAL KIT	70.00	40.00	48.48	RJCB-991/00135	SEAL KIT	120.00	65.00	87.83
RJCB-991/00026	SEAL KIT	80.00	50.00	55.44	RJCB-991/00144	SEAL KIT	140.00	70.00	151.58
RJCB-991/00027	SEAL KIT	90.00	50.00	55.44	RJCB-991/00145	SEAL KIT	100.00	60.00	67.35
RJCB-991/00028	SEAL KIT	100.00	60.00	112.12	RJCB-991/00146	SEAL KIT	110.00	65.00	79.66
RJCB-991/00029	SEAL KIT	110.00	60.00	61.83	RJCB-991/00147	SEAL KIT	90.00	60.00	86.91
RJCB-991/00030	SEAL KIT	120.00	65.00	61.67	RJCB-991/00148	SEAL KIT	110.00	60.00	95.46
RJCB-991/00036	SEAL KIT	70.00	30.00	38.22	RJCB-991/00152	SEAL KIT	100.00	60.00	64.61
RJCB-991/00054	SEAL KIT	50.00	25.00	49.07	RJCB-991/00156	SEAL KIT	75.00	45.00	82.51
RJCB-991/00055	SEAL KIT	100.00	60.00	72.78	RJCB-991/03800	SEAL KIT	3.500	2.875	55.09
RJCB-991/00058	SEAL KIT	110.00	60.00	65.36	RJCB-991/03900	SEAL KIT	2.500	2.000	38.49
RJCB-991/00061	SEAL KIT	80.00	50.00	55.63	RJCB-993/34509	SEAL KIT	2.500	1.000	20.21
RJCB-991/00069	SEAL KIT	70.00	30.00	29.40	RJCB-993/46200K	SEAL KIT	50.00	25.00	45.10
RJCB-991/00071	SEAL KIT	50.00	25.00	37.52	RJCB-997/00908	SEAL KIT	2.500	1.500	123.09
RJCB-991/00095	SEAL KIT	70.00	40.00	48.59					

All manufacturer's names, part numbers and descriptions are used for reference purposes only. We do not imply that any part shown is the product of these manufacturers.

INDUSTRIAL SEAL KITS

MOBILE SEAL KITS









JCB

## J.I. CASE INDEX FOR SEAL KITS

INDUSTRIAL SEAL KITS

MOBILE SEAL KITS

J.I. CASE

	<b>EXCAVATOR</b>						<b>KITS 366</b>	
	880	880B	880C	880D	880R			
	<b>SKID STEER LOADER</b>						<b>KITS 366</b>	
	1818	1835	1835C	1840	1845S	1845C		
	1825	1835B	1838	1845	1845B	95XT		
	<b>TRACK TYPE LOADER/DOZER</b>						<b>KITS 368</b>	
	310E	350B	450C	750	855C	1150B	1450	
	310F	420C	455B	850	850D	1150C	1450B	
	310G	450	455C	850B	855D	1150D	1455B	
	350	450B	475	850C	1150	1155D		
	<b>UNIMOG</b>						<b>KITS 381</b>	
	MB4/94							
	<b>UNI-LOADER</b>						<b>KITS 381</b>	
	1530B	1816B	1830	1835B	1845B	1845S		
	1700	1816C	1835	1845	1845C			
	<b>WHEELED BACKHOE LOADER</b>						<b>KITS 382</b>	
	380LL	480D	480F LL	580D	580 SUPER L	590 SUPER L	680E	780
	430	480D LL	530	580 SUPER D	580L	680	680G	780B
	480	480E	580	580 SUPER E	580SK	680B	680H	
	480B	480E LL	580B	580F	580SL	680C	680K	
	480C	480F	580CK	580K	590	680CK	680L	
	<b>WHEEL LOADER W-SERIES</b>						<b>KITS 395</b>	
	W3	W8E	W9C	W10C	W14	W18	W20C	W26B
	W7	W9	W9E	W10E	W14L	W20	W24	W26FL
	W7C	W9A	W10	W11	W14H	W20B	W24B	W30
	W7E	W9B	W10B	W11B	W14B	W18B	W24C	W36
	<b>WHEEL LOADER 21-SERIES</b>						<b>KITS 399</b>	
	621	621B	721	721B	821	821B	921	
	<b>J.I. CASE KIT LISTING</b>						<b>KITS 400</b>	

All manufacturer's names, part numbers and descriptions are used for reference purposes only. We do not imply that any part shown is the product of these manufacturers.

**Tel.: (905) 362-0889**  
**Fax: (888) 238-1664**

**KITS 365**

[www.sealsonline.com](http://www.sealsonline.com)

## J.I. CASE

## EXCAVATOR

Model	Application	Serial Number	Cylinder Number	Bore	Rod	Ref. Number RJIC-	\$
<b>880</b>	ARM	6200000-6201114 6201115-UP		5.500	2.500	G105514	64.34
				5.500	2.750	G105566	103.86
	BOOM	6200000-6201114 6201115-UP		5.500	2.500	G105514	64.34
				5.500	2.750	G105566	103.86
	BUCKET EXT. DIPPER			5.000	2.500	G105515	60.94
				4.000	2.500	G34636	51.03
EXT. BUCKET			4.000	2.500	G105556	50.39	
			5.000	3.000	G105531	69.74	
<b>880B, 880C, 880D</b>	ARM			5.500	2.750	G105566	103.86
	BOOM			5.500	2.750	G105566	103.86
	BUCKET			5.000	2.500	G109499	80.32
<b>880R</b>	ARM	PRIOR-5352380 5352381-UP		5.500	2.750	G105566	103.86
	BOOM			5.500	2.750	G105566	103.86
	EXT. DIPPER			4.000	2.500	G34636	51.03
	EXT. BUCKET			4.000	2.500	G105556	50.39
				5.000	3.000	G105531	69.74

## SKID STEER LOADER

<b>1818</b>	BUCKET TILT LOADER LIFT			D136128	2.000	1.000	N14638	33.71
				D136838	2.000	1.250	N14639	41.35
	104516A1			2.000	1.375	110507A1	52.07	
	104517A1			2.000	1.000	110510A1	52.07	
<b>1825</b>	BUCKET TILT LOADER LIFT			D136128	2.000	1.000	N14638	33.71
				D136838	2.000	1.250	N14639	41.35
	104516A1			2.000	1.375	110507A1	52.07	
	104517A1			2.000	1.000	110510A1	52.07	
<b>1835</b>	GRAPPLE LOADER LIFT			D61075	2.000	1.000	D61006	7.66
				G34864	2.125	1.250	G34819	23.48
	LOADER BUCKET			G103407	2.500	1.500	G109458	23.27
				G103407	2.125	1.250	G105507	26.17
<b>1835B</b>	GRAPPLE LOADER LIFT			D61075	2.000	1.000	D61006	7.66
					2.500	1.500	G109458	23.27
	LOADER BUCKET			G106818	2.500	1.500	128725A1	28.25
				G103407	2.500	1.250	G109476	31.71

All manufacturer's names, part numbers and descriptions are used for reference purposes only. We do not imply that any part shown is the product of these manufacturers.

INDUSTRIAL  
SEAL KITS

MOBILE  
SEAL KITS

J.I. CASE

## SKID STEER LOADER

## J.I. CASE

INDUSTRIAL  
SEAL KITS

MOBILE  
SEAL KITS

J.I. CASE

Model	Application	Serial Number	Cylinder Number	Bore	Rod	Ref. Number RJIC-	\$
<b>1835C</b>	BUCKET TILT	PRIOR TO JAF0130838 JAF0130838 & UP	G103407	2.500	1.250	128728A1	23.91
			118110A1	2.500	1.250	128728A1	23.91
	GRAPPLE		D61075	2.000	1.000	D61006	7.66
	LIFT			2.500	1.250	G34819	23.48
			G110666	2.500	1.500	128725A1	28.25
			117824A1	2.500	1.500	128725A1	28.25
<b>1838</b>	B, D & B		G100936	3.000	1.500	1543252C1	41.90
	CYL. BACKHOE						
	BACKHOE DIPPER		G109376	3.000	1.500	1543313C1	49.75
	GRAPPLE		D61010	2.000	1.000	D61006	7.66
	LOADER LIFT		117824A1	2.500	1.500	128725A1	28.25
	LOADER BUCKET TILT		118110A1	2.500	1.250	128728A1	23.91
	STABILIZER		101643A1	3.000	1.375	700710260	76.60
			H514117	2.000	1.000	H52704	15.95
	SWING		H514125		2.750	H53041	21.68
<b>1840</b>	BACKHOE BOOM		1346450C2	3.000	1.500	1543256C1	39.46
	BACKHOE BUCKET		1346397C2	2.750	1.500	1346409C2	65.21
	BACKHOE DIPPER		1346411C1	3.000	1.500	1543256C1	39.46
	BACKHOE SWING		H673149		2.750	H53041	21.68
	GRAPPLE		D61075	2.000	1.000	D61006	7.66
	LOADER LIFT		G110666	2.500	1.500	128725A1	28.25
	LOADER BUCKET TILT		117824A1	2.500	1.500	128725A1	28.25
			G103407	2.500	1.250	128728A1	23.91
			118110A1	2.500	1.250	128728A1	23.91
	STABILIZER		H514117	2.000	1.000	H52704	15.95
<b>1845, 1845S</b>	BUCKET DUMP		G34926	2.500	1.250	G105507	26.17
	4-IN-1 BUCKET		G33748	3.000	1.500	1543313C1	49.75
	LOADER LIFT		G37917	2.500	1.500	128725A1	28.25
			G100295	2.500	1.500	128725A1	28.25
	SCARIFIER		G33744	3.000	1.500	1543313C1	49.75
<b>1845B</b>	LOADER LIFT		G100295	2.500	1.500	128725A1	28.25
	LOADER BUCKET		G34926	2.500	1.250	G109476	31.71
	LOADER CLAM		G33748	3.000	1.500	1543313C1	49.75
	SCARIFIER		G33744	3.000	1.500	1543313C1	49.75
<b>1845C</b>	BACKHOE BOOM		1346450C2	3.000	1.500	1543256C1	39.46
	BACKHOE BUCKET		1346397C2	2.750	1.500	1346409C2	65.21
	BACKHOE DIPPER		1346411C1	3.000	1.500	1543256C1	39.46
	BOOM, DIPPER & BUCKET		G100936	3.000	1.500	1543252C1	41.90
	BACKHOE DIPPER		G109376	3.000	1.500	1543313C1	49.75
	BACKHOE SWING		H673149		2.750	H53041	21.68

All manufacturer's names, part numbers and descriptions are used for reference purposes only. We do not imply that any part shown is the product of these manufacturers.

Tel.: (204) 783-9617  
Fax: (204) 783-6091

**KITS 367**

[www.sealsonline.com](http://www.sealsonline.com)

## J.I. CASE

## SKID STEER LOADER

Model	Application	Serial Number	Cylinder Number	Bore	Rod	Ref. Number RJIC-	\$	
	LOADER LIFT		G109773	2.500	1.500	128725A1	28.25	
			G109777	2.500	1.500	128725A1	28.25	
			117903A1	2.500	1.500	128725A1	28.25	
			129011A1	2.500	1.500	128725A1	28.25	
	LOADER BUCKET		G34926	2.500	1.250	128728A1	23.91	
			G34926	2.500	1.250	128728A1	23.91	
	STABILIZER		H672226	3.000	1.375	700710260	76.60	
			101643A1	3.000	1.375	700710260	76.60	
	SWING		H514125			2.750	H53041	21.68
	STABILIZER		H514117	2.000	1.000		H52704	15.95
95XT	BACKHOE BOOM		1346450C2	3.000	1.500	1543256C1	39.46	
	BACKHOE DIPPER		1346411C2	3.000	1.500	1543256C1	39.46	
	BACKHOE BUCKET		1346397C2	2.750	1.500	1346409C2	65.21	
	BACKHOE SWING		H673149		2.750	H53041	21.68	
	LOADER LIFT		139091A3	2.500	1.750	198376A2	49.75	
	STABILIZER FOLD DOWN		101643A1	3.000	1.375	700710260	76.60	
	STABILIZER VERTICAL		H514117	2.000	1.000	H52704	15.95	
	TRENCHER BOOM LIFT		221700A1	3.500	1.750	235933A1	30.89	

## TRACK-TYPE LOADER/DOZER

310E, 310F with backhoe model 31	BACKHOE BOOM			2.000	D42876	14.10
				4.000	G33239	20.35
				4.000	G32616	40.83
	BACKHOE BUCKET			1.750	D42873	20.87
				3.500	G33237	18.65
	BACKHOE DIPPER			3.500	G105518	44.22
				2.000	D42876	14.10
				4.000	G33239	20.35
				4.000	G105526	46.78
	BACKHOE STABILIZER				1.750	D42873
BACKHOE SWING	2019001-3023000	3.500	G33237	18.65		
		1.750	D42875	16.15		
		4.000	G33239	20.35		
		DOZER LIFT	1.250	D42867	16.30	
		DOZER TILT	2.500	G33193	16.42	
		DOZER TILT	1.250	D42867	16.30	
		DOZER ANGLING	2.500	G33193	16.42	
		DOZER ANGLING	1.750	D42873	20.87	
LOADER LIFT	3.500	G33237	18.65			
	1.750	D42873	20.87			
	3.500	G33237	18.65			
LOADER TILT		1.250	D42867	16.30		

All manufacturer's names, part numbers and descriptions are used for reference purposes only. We do not imply that any part shown is the product of these manufacturers.

INDUSTRIAL  
SEAL KITS

MOBILE  
SEAL KITS

J.I. CASE

## TRACK-TYPE LOADER/DOZER

## J.I. CASE

Model	Application	Serial Number	Cylinder Number	Bore	Rod	Ref. Number RJIC-	\$	
<b>310G with backhoe models 26, 26B, 26S, 32, 33</b>	SCARIFIER			2.500	1.500	G33193	16.42	
						D42870	20.32	
				3.000		G33151	16.84	
	BACKHOE STABILIZER				1.500	1.750	D42870	20.32
					3.000		G33151	16.84
							D42872	15.21
					3.000		G33151	16.84
					3.000		G105524	48.96
	BACKHOE SWING				3.500	1.500	G33237	18.65
					3.500		G105529	41.48
3.500					G105518		44.22	
					D47896		16.40	
3.500					G33237		18.65	
3.500					G34652		38.92	
3.500					G105519		42.42	
					D42875		16.15	
4.000					G33239		20.35	
					D42873		20.87	
BACKHOE BOOM				3.500	1.750	G33237	18.65	
				3.500		G105529	41.48	
				4.000				
						D42873	20.87	
				3.500		G33237	18.65	
BACKHOE BUCKET				4.000	2.250	G34636	51.03	
						D42876	14.10	
				4.000		G33239	20.35	
				4.000		G32299	44.22	
				4.000		G105517	44.98	
						D42878	18.52	
				4.500		DTVS4.5P	40.31	
BACKHOE DIPPER				4.500	1.750	G105520	72.21	
						D42872	15.21	
				3.500		G33237	18.65	
				3.000		G105524	48.96	
						D42873	20.87	
BACKHOE BUCKET				3.500	2.000	G33237	18.65	
						D42874	13.70	
				3.500		G33237	18.65	
				3.500		G32293	39.96	
				3.500		G105527	48.75	
						D42874	13.70	
				3.500		G33237	18.65	
				3.500		G32293	39.96	
				3.500		G105527	48.75	
						D42876	14.10	
BACKHOE BUCKET				4.000	2.000	G33239	20.35	
				4.000		G32299	44.22	

INDUSTRIAL SEAL KITS

MOBILE SEAL KITS

J.I. CASE

All manufacturer's names, part numbers and descriptions are used for reference purposes only. We do not imply that any part shown is the product of these manufacturers.

**Tel.: (780) 414-1871**  
**Fax: (780) 487-5419**

**KITS 369**

[www.sealsonline.com](http://www.sealsonline.com)

## J.I. CASE

## TRACK-TYPE LOADER/DOZER

Model	Application	Serial Number	Cylinder Number	Bore	Rod	Ref. Number RJIC-	\$
	BACKHOE DIPPER EXT.			4.000	2.000	G105517	44.98
				3.000	1.500	G105512	44.43
					1.750	D42873	20.87
	DOZER LIFT			3.500	G33237	18.65	
				3.500	1.750	G105529	41.48
					1.250	D42867	16.30
	DOZER TILT			DOZER ANGLING	2.500	G33193	16.42
					2.500	1.250	G32295
					1.250	D42867	16.30
				2.500	G33193	16.42	
				2.500	1.250	G32295	29.76
					1.750	D42873	20.87
LOADER LIFT		3.500	G335237	17.68			
		3.500	1.750	G34622	44.22		
			1.500	D42870	20.32		
		3.000	G33151	16.84			
		3.000	1.500	G105512	44.43		
			1.750	D42872	15.21		
		LOADER TILT	3.000	G33151	16.84		
			3.000	1.750	G105524	48.96	
				1.500	D42869	20.47	
			2.500	G33193	16.42		
LOADER HYDRA-LEVELING	2.500	G32294	30.61				
		1.500	D42869	20.47			
LOADER CLAM LOADER GRAPPLE		2.500	G33193	16.42			
		2.500	1.500	G32294	30.61		
		3.000	1.750	G105524	48.96		
			1.500	D42869	20.47		
		2.500	G33193	16.42			
		2.500	1.500	G32294	30.61		
		RIPPER		1.500	D42870	20.32	
3.000	G33151		16.84				
3.000	1.500		G105512	44.43			
<b>350 with backhoe models 26, 26B, 26C, 26S</b>	BACKHOE BOOM			1.750	D42873	20.87	
			3.500	G33237	18.65		
			3.500	1.750	G105529	41.48	
			4.000	2.250	G34636	51.03	
			4.000	2.250	G105556	50.39	
	BACKHOE BUCKET			1.750	D42872	15.21	
			3.500	G33237	18.65		
			3.000	1.750	G105524	48.96	
			3.000	1.750	G105549	49.32	
				2.000	D42874	13.70	
BACKHOE DIPPER		3.500	G33237	18.65			
		3.500	2.000	G32293	39.96		

All manufacturer's names, part numbers and descriptions are used for reference purposes only. We do not imply that any part shown is the product of these manufacturers.

INDUSTRIAL  
SEAL KITS

MOBILE  
SEAL KITS

J.I. CASE

## TRACK-TYPE LOADER/DOZER

## J.I. CASE

Model	Application	Serial Number	Cylinder Number	Bore	Rod	Ref. Number RJIC-	\$
				3.500	2.000	G105527	48.75
				3.500	2.000	G105546	43.63
	BACKHOE DIPPER EXT.			3.000	1.500	G105512	44.43
				3.000	1.500	G105548	38.76
	BACKHOE STABILIZER				1.500	D42870	20.32
				3.000		G33151	16.84
					1.750	D42872	15.21
				3.000		G33151	16.84
				3.000	1.750	G105524	48.96
				3.500	1.750	G105529	41.48
	BACKHOE SWING			3.500	1.750	G105518	44.22
					1.500	D47896	16.40
				3.500		G33237	18.65
				4.000	1.750	G105519	42.42
				3.500	1.500	G34652	38.92
	DOZER LIFT			3.500	1.500	G105555	36.48
					1.250	D42867	16.30
				2.500		G33193	16.42
				2.500	1.250	G32295	29.76
	DOZER TILT			2.500	1.250	G105551	32.96
					1.250	D42867	16.30
				2.500		G33193	16.42
				2.500	1.250	G32295	29.76
				2.500	1.250	G105551	32.96
	DOZER ANGLE				1.500	D42870	20.32
	Angle Tilt Dozer			3.000		G33151	16.84
				3.000	1.500	G105512	44.43
				3.000	1.500	G105548	38.76
	DOZER ANGLE				1.750	D42873	20.87
	Angle Dozer			3.500		G33237	18.65
				3.500	1.750	G105518	44.22
	LOADER LIFT				1.750	D42872	15.21
				3.000		G33151	16.84
				3.000	1.750	G105524	48.96
				3.000	1.750	G34643	39.12
				3.000	1.750	G105549	49.32
	LOADER TILT				1.500	D42869	20.47
				2.500		G33193	16.42
				2.500	1.500	G32294	30.61
				2.500	1.500	G105550	29.08
	LOADER HYDRA-LEVELING				1.500	D42869	20.47
				2.500		G33193	16.42
				2.500	1.500	G32294	30.61
				2.500	1.500	G105550	29.08
	LOADER CLAM			3.000	1.750	G105524	48.96
				3.000	1.750	G105549	49.32
	LOADER GRAPPLE				1.500	D42869	20.47
				2.500		G33193	16.42

All manufacturer's names, part numbers and descriptions are used for reference purposes only. We do not imply that any part shown is the product of these manufacturers.

**Tel.: (403) 279-1871**  
**Fax: (403) 279-1821**

**KITS 371**

**www.sealsonline.com**

INDUSTRIAL  
SEAL KITS

MOBILE  
SEAL KITS

J.I. CASE



## J.I. CASE

## TRACK-TYPE LOADER/DOZER

Model	Application	Serial Number	Cylinder Number	Bore	Rod	Ref. Number RJIC-	\$	
<b>350B with backhoe models 26C, 26D</b>	RIPPER			2.500	1.500	G32294	30.61	
				2.500	1.500	G105550	29.08	
						1.500	D42870	20.32
					3.000		G33151	16.84
					3.000	1.500	G105512	44.43
					3.000	1.500	G105548	38.76
	BACKHOE BOOM				4.000	2.500	G34636	51.03
					4.000	2.500	G105556	50.39
					4.000	1.750	G105552	46.45
	BACKHOE BUCKET				3.000	1.750	G105524	48.96
				3.000	1.750	G105549	49.32	
				3.250	2.000	G105553	48.87	
BACKHOE DIPPER				3.500	2.000	G105527	48.75	
				3.500	2.000	G105546	43.63	
BACKHOE DIPPER EXT.				3.000	1.500	G105512	44.43	
				3.000	1.500	G105548	38.76	
BACKHOE STABILIZER				3.500	1.750	G105518	44.22	
				3.000	1.750	G105549	49.32	
BACKHOE SWING				3.500	1.500	G34652	38.92	
				3.500	1.500	G105555	36.48	
DOZER LIFT				2.500	1.250	G109475	32.96	
				2.500	1.250	G109475	32.96	
DOZER TILT				2.500	1.250	G109475	32.96	
				3.000	1.500	G109452	29.44	
DOZER ANGLE				3.000	1.500	G109452	29.44	
				3.000	1.750	1543262C1	40.31	
LOADER LIFT				3.000	1.750	1543262C1	40.31	
				2.500	1.500	1543253C1	42.78	
LOADER TILT				2.500	1.500	1543253C1	42.78	
				3.000	1.750	1543262C1	40.31	
RIPPER				3.000	1.500	G109452	29.44	
<b>420C</b>	BACKHOE BOOM				2.000	D42876	14.10	
				4.000		G33239	20.35	
	BACKHOE BUCKET					1.750	D42873	20.87
					3.500		G33237	18.65
	BACKHOE DIPPER					2.000	D42876	14.10
				4.000		G33239	20.35	
BACKHOE STABILIZER					1.750	D42873	20.87	
					1.250	D42867	16.30	
DOZER LIFT				4.000		G33239	20.35	
					1.250	D42867	16.30	
DOZER TILT				4.000		G33239	20.35	
					1.750	D42873	20.87	
DOZER ANGLING				3.500		G33237	18.65	
				3.500		G33237	18.65	
LOADER LIFT					1.750	D42873	20.87	
				3.500		G33237	18.65	
LOADER TILT					1.250	D42867	16.30	
				4.000		G33239	20.35	

All manufacturer's names, part numbers and descriptions are used for reference purposes only. We do not imply that any part shown is the product of these manufacturers.

INDUSTRIAL SEAL KITS

MOBILE SEAL KITS

J.I. CASE

## TRACK-TYPE LOADER/DOZER

## J.I. CASE

Model	Application	Serial Number	Cylinder Number	Bore	Rod	Ref. Number RJIC-	\$	
<b>450 with backhoe models 26, 26B, 26C, 26S, 32, 33, 35</b>	SCARIFIER			4.000	1.500	D42870	20.32	
						G33239	20.35	
	BACKHOE BOOM				3.500	1.750	D42873	20.87
							G33237	18.65
						1.750	G105529	41.48
						2.000	D42876	14.10
						4.000	G33239	20.35
						4.000	G32299	44.22
						4.000	G105517	44.98
						4.000	G34636	51.03
	4.000	G105556	50.39					
	BACKHOE BUCKET				4.500	2.250	D42878	18.52
						DTVS4.5P	40.31	
2.250						G105520	72.21	
1.750						G105528	42.53	
1.750						G105547	44.58	
1.750						D42872	15.21	
3.500						G33237	18.65	
3.000						G105524	48.96	
3.000						G105549	49.32	
1.750						D42873	20.87	
BACKHOE DIPPER				3.500	2.000	G33237	18.65	
						D42874	13.70	
					1.750	G105524	48.96	
					1.750	G105549	49.32	
					3.500	G33237	18.65	
					2.000	D42874	13.70	
					3.500	G33237	18.65	
					2.000	G32293	39.96	
					2.000	G105527	48.75	
					2.000	G105546	43.63	
BACKHOE DIPPER EXT.				3.500	2.000	G32293	39.96	
						G105527	48.75	
					2.000	G105546	43.63	
					2.000	D42876	14.10	
					4.000	G33239	20.35	
					4.000	G32299	44.22	
					2.000	G105517	44.98	
					2.000	1543273C1	54.77	
BACKHOE STABILIZER				3.000	1.500	G105512	44.43	
						G105548	38.76	
					1.500	D42873	20.87	
					1.750	G33237	18.65	
					1.750	G105529	41.48	
					1.500	D42870	20.32	
				3.000	1.750	G33151	16.84	
						D42872	15.21	
					1.750	G33151	16.84	
					1.750	G105524	48.96	

INDUSTRIAL SEAL KITS

MOBILE SEAL KITS

J.I. CASE

All manufacturer's names, part numbers and descriptions are used for reference purposes only. We do not imply that any part shown is the product of these manufacturers.

## J.I. CASE

## TRACK-TYPE LOADER/DOZER

Model	Application	Serial Number	Cylinder Number	Bore	Rod	Ref. Number RJIC-	\$
					1.750	D42873	20.87
				3.500		G33237	18.65
				3.500	1.750	G105529	41.48
				3.500	1.750	G105518	44.22
				4.000	2.000	G105517	44.98
				4.000	2.000	1543273C1	75.28
	BACKHOE SWING				1.500	D47896	16.40
				3.500		G33237	18.65
				3.500	1.500	G34652	38.92
				3.500	1.500	G105555	36.48
					1.750	D42875	16.15
				4.000		G33239	20.35
				4.000	1.750	G105519	42.42
				4.000	2.000	G105517	44.98
				4.000	2.000	1543273C1	54.77
	DOZER ANGLING			2.000	1.500	D37361	25.51
	Angle Dozer			2.000	1.500	G105503	36.91
	DOZER ANGLING				2.000	D42876	14.10
	Angle Tilt Dozer			4.000		G33239	20.35
				4.000	2.000	G105526	46.78
				4.000	2.000	1543273C1	54.77
	DOZER LIFT				1.250	D42867	16.30
				2.500		G33193	16.42
				2.500	1.250	G32295	29.76
				2.500	1.250	G105551	32.96
	DOZER TILT				2.000	D42874	13.70
				3.500		G33237	18.65
				3.500	2.000	G34648	45.09
				3.500	2.000	G105521	42.53
				3.500	2.000	G105546	43.63
	LOADER LIFT				2.000	D42874	13.70
				3.500		G33237	18.65
				3.500	2.000	G34648	45.09
				3.500	2.000	G105521	42.53
				3.500	2.000	G105546	43.63
	LOADER TILT				1.750	D42872	15.21
				3.000		G33151	16.84
				3.000	1.750	G105524	48.96
				3.000	1.750	G34643	39.12
				3.000	1.750	G105549	49.32
	LOADER HYDRA-LEVELING				1.750	D42872	15.21
				3.000		G33151	16.84
				3.000	1.750	G105524	48.96
				3.000	1.750	G105549	49.32
	LOADER CLAM				1.500	D42870	20.32
				3.000		G33151	16.84
				3.000	1.500	G105512	44.43
				3.000	1.500	G105548	38.76

All manufacturer's names, part numbers and descriptions are used for reference purposes only. We do not imply that any part shown is the product of these manufacturers.

INDUSTRIAL SEAL KITS

MOBILE SEAL KITS

J.I. CASE

## TRACK-TYPE LOADER/DOZER

## J.I. CASE

Model	Application	Serial Number	Cylinder Number	Bore	Rod	Ref. Number RJIC-	\$	
	RIPPER				1.500	D42870	20.32	
				3.000		G33237	18.65	
				3.000	1.500	G105512	44.43	
				3.000	1.500	G105548	38.76	
<b>450B, 450C, 455B, 455C with backhoe models 26D, 35</b>	BACKHOE BOOM			4.000	1.750	G105552	46.45	
				3.250	1.750	G105528	42.53	
	3.250			1.750	G105547	44.58		
	BACKHOE BUCKET			3.250	2.000	G105553	48.87	
				3.500	2.000	G105527	48.75	
	3.500			2.000	G105546	43.63		
BACKHOE DIPPER				3.500	2.000	G105546	43.63	
				4.000	2.000	G105517	44.98	
4.000				2.000	1543273C1	54.77		
BACKHOE DIPPER EXT.				3.000	1.500	G105512	44.43	
				3.000	1.500	G105548	38.76	
BACKHOE STABILIZER				3.000	1.750	G105549	49.32	
	4.000	2.000	G105517	44.98				
BACKHOE SWING				4.000	2.000	1543273C1	54.77	
				3.500	1.500	G105555	36.48	
				4.000	2.000	G105517	44.98	
				4.000	2.000	1543273C1	54.77	
DOZER LIFT				4.000	2.000	1543273C1	54.77	
				2.500	1.250	G105551	32.96	
DOZER TILT DOZER ANGLE LOADER LIFT LOADER TILT LOADER HYDRA-LEVELING LOADER CLAM				3.500	2.000	G105546	43.63	
				4.000	2.000	1543273C1	54.77	
				3.500	2.000	G105546	43.63	
				3.000	1.500	G105548	38.76	
				4.000	2.000	1543273C1	54.77	
				3.000	1.500	G105548	38.76	
<b>475 cable layer</b>	RIPPER				3.000	1.500	G105548	38.76
	DOZER TILT				3.500	2.000	G34648	45.09
					3.500	2.000	G105546	43.63
	PLOW LIFT				4.500	2.000	G105525	57.83
	PLOW SWING				3.500	1.500	G34646	38.28
REEL & DOZER LIFT				3.500	1.500	G105555	36.48	
				2.500	1.250	G32295	29.76	
				2.500	1.250	G105551	32.96	
<b>750 with backhoe models 32, 33S, 34</b>	BACKHOE BOOM				2.000	D42876	14.10	
				4.000		G33239	20.35	
				4.000	2.000	G32299	44.22	
				4.500	2.250	G105520	72.21	
					2.250	D42878	18.52	
	4.500		DTVS4.5P	40.31				

INDUSTRIAL  
SEAL KITS

MOBILE  
SEAL KITS

J.I. CASE

All manufacturer's names, part numbers and descriptions are used for reference purposes only. We do not imply that any part shown is the product of these manufacturers.

Tel.: (418) 688-3202  
Fax: (418) 688-4272

**KITS 375**

[www.sealsonline.com](http://www.sealsonline.com)

## J.I. CASE

## TRACK-TYPE LOADER/DOZER

Model	Application	Serial Number	Cylinder Number	Bore	Rod	Ref. Number RJIC-	\$
	BACKHOE BUCKET			3.500	1.750	D42873	20.87
						G33237	18.65
					2.000	D42874	13.70
				3.500		G33237	18.65
				3.500	2.000	G32293	39.96
					2.250	D42877	15.10
	BACKHOE DIPPER			4.000		G33239	20.35
					2.000	D42876	14.10
				4.000		G33239	20.35
				4.000	2.000	G32299	44.22
					2.250	D42878	18.52
				4.500		DTVS4.5P	40.31
	BACKHOE STABILIZER			3.500	1.750	D42873	20.87
						G33237	18.65
				3.500	1.750	G105529	41.48
	BACKHOE SWING				1.750	D42875	16.15
				4.000		G33239	20.35
				4.000	1.750	G105519	42.42
	DOZER LIFT				1.500	D42870	20.32
				3.000		G33151	16.84
	DOZER TILT				1.750	D42873	20.87
				3.500		G33237	18.65
DOZER ANGLE LOADER TILT		2.500	1.500	D37360	27.89		
			2.000	D42876	14.10		
	RIPPER			4.000		G33239	20.35
					1.750	D42873	20.87
				3.500		G33237	18.65
<b>850 with backhoe models 34, 35, 36</b>	BACKHOE BOOM				2.250	D42878	18.52
				4.500		DTVS4.5P	40.31
				5.000	2.250	G32696	56.99
				3.250	1.750	G105528	42.53
	BACKHOE BUCKET			3.250	1.750	G105547	44.58
					2.250	D42877	15.10
	BACKHOE DIPPER			4.000		G33239	20.35
				4.000	2.250	G34636	51.03
				3.500	2.000	G105527	48.75
				3.500	2.000	G105546	43.63
					2.250	D42878	18.52
				4.500		DTVS4.5P	40.31
				4.500	2.250	G105520	72.21
				4.500	2.500	G105513	74.47
				4.000	2.000	G105517	44.98
				4.000	2.000	1543273C1	54.77
				BACKHOE DIPPER EXT.	3.000	1.500	G105512
3.000	1.500	G105548	38.76				

All manufacturer's names, part numbers and descriptions are used for reference purposes only. We do not imply that any part shown is the product of these manufacturers.

INDUSTRIAL  
SEAL KITS

MOBILE  
SEAL KITS

J.I. CASE

## TRACK-TYPE LOADER/DOZER

## J.I. CASE

Model	Application	Serial Number	Cylinder Number	Bore	Rod	Ref. Number RJIC-	\$		
	BACKHOE STABILIZER				2.000	D42876	14.10		
				4.000		G33239	20.35		
				4.000	2.000	G32299	44.22		
				4.000	2.000	G105517	44.98		
				4.000	2.000	1543273C1	54.77		
	BACKHOE SWING						1.750	D42875	16.15
				4.000				G33239	20.35
				4.500	2.000			G32695	59.54
				4.500	2.000			G105525	57.83
				4.000	2.000			G105517	44.98
DOZER LIFT				2.000	1543273C1	54.77			
				1.500	D42870	20.32			
	DOZER TILT			3.000		G33151	16.84		
				3.000	1.500	G105512	44.43		
					1.750	D42873	20.87		
			3.500		G33237	18.65			
DOZER TILT & PITCH			3.500	1.750	G105518	44.22			
			3.500	2.000	G105521	42.53			
DOZER ANGLING			2.500	1.500	D37360	27.89			
			2.500	1.500	G105505	30.11			
DOZER LIFT				2.250	D42878	18.52			
			4.500		DTVS4.5P	40.31			
			4.500	2.250	G105520	72.21			
LOADER TILT				1.750	D42873	20.87			
LOADER HYDRA-LEVELING				3.500		G33237	18.65		
				3.500	1.750	G32228	39.46		
				3.500	1.750	G105508	48.15		
					2.000	D42876	14.10		
				4.000		G33239	20.35		
				4.000	2.000	G32299	44.22		
				4.000	2.000	G105517	44.98		
LOADER CLAM RIPPER				2.000	G32299	44.22			
				1.750	D42875	16.15			
			4.000		G33239	20.35			
			4.000	1.750	G34626	45.93			
<b>850B with backhoe model 35</b>	BACKHOE BOOM			3.250	1.750	G105528	42.53		
	BACKHOE BUCKET			3.250	1.750	G105547	44.58		
				3.500	2.000	G105527	48.75		
	BACKHOE DIPPER			3.500	2.000	G105546	43.63		
				4.000	2.000	G105517	44.98		
	BACKHOE DIPPER EXT.			4.000	2.000	1543273C1	54.77		
				3.000	1.500	G105512	44.43		
	BACKHOE STABILIZER			3.000	1.500	G105548	38.76		
				4.000	2.000	G105517	44.98		
	BACKHOE SWING			4.000	2.000	1543273C1	54.77		
			4.000	2.000	G105517	44.98			
			4.000	2.000	1543273C1	54.77			

All manufacturer's names, part numbers and descriptions are used for reference purposes only. We do not imply that any part shown is the product of these manufacturers.

Tel.: (514) 334-2220  
Fax: (514) 333-8329

**KITS 377**

[www.sealsonline.com](http://www.sealsonline.com)

INDUSTRIAL  
SEAL KITS

MOBILE  
SEAL KITS

J.I. CASE

## J.I. CASE

## TRACK-TYPE LOADER/DOZER

Model	Application	Serial Number	Cylinder Number	Bore	Rod	Ref. Number RJIC-	\$
	DOZER LIFT			3.000	1.500	G105548	38.76
				3.000	1.750	G105549	49.32
	DOZER TILT			4.000	1.750	G105552	46.45
				4.000	2.000	1543273C1	54.77
	DOZER ANGLE			4.500	2.000	G105525	57.83
	DOZER LIFT			4.000	2.000	1543273C1	54.77
	LOADER TILT			3.500	2.000	G105546	43.63
	LOADER CLAM			3.500	2.000	G105546	43.63
	RIPPER			3.250	1.750	G105547	44.58
	<b>850C, 855C with backhoe models 35A, 35C, 35C WL, 35 WL</b>	BACKHOE BOOM			3.250	1.750	G105547
BACKHOE BUCKET				3.500	2.000	G105546	43.63
				3.500	2.500	G109504	43.09
				4.000	2.500	G109424	50.96
BACKHOE DIPPER				4.000	2.000	1543273C1	54.77
BACKHOE DIPPER EXT.				3.000	1.500	G105548	38.76
BACKHOE STABILIZER				4.000	2.000	1543273C1	54.77
BACKHOE SWING				4.000	2.000	1543273C1	54.77
DOZER LIFT				3.000	1.500	G105548	38.76
				3.000	1.750	G105549	49.32
DOZER TILT			4.000	1.750	G105552	46.45	
			4.000	1.750	1543273C1	54.77	
	DOZER ANGLE			4.500	2.000	G105525	57.83
	LOADER LIFT			4.000	2.000	1543273C1	54.77
	LOADER TILT			3.500	2.000	G105546	43.63
	LOADER CLAM			3.500	2.000	G105546	43.63
	RIPPER			3.250	1.750	G105547	44.58
<b>850D, 855D with backhoe models 35C, 35C WL</b>	LOADER LIFT			4.000	2.000	1543273C1	54.77
	LOADER TILT			3.500	2.000	G109453	43.63
	LOADER CLAM			3.500	2.000	G109453	43.63
	DOZER LIFT			3.000	1.500	G109452	29.44
	DOZER TILT			4.000	2.000	1543273C1	54.77
	RIPPER			3.250	1.750	1543265C1	49.93
	BACKHOE STABILIZER			4.000	2.000	1543273C1	54.77
	BACKHOE SWING			4.000	2.000	1543273C1	54.77
	BACKHOE BOOM			3.250	1.750	1543265C1	49.93
	BACKHOE BUCKET			3.500	2.500	G109504	43.09
				4.000	2.500	G109424	50.96
	BACKHOE DIPPER			4.000	2.000	1543273C1	54.77
	BACKHOE DIPPER EXT.			3.000	1.500	G109452	29.44

All manufacturer's names, part numbers and descriptions are used for reference purposes only. We do not imply that any part shown is the product of these manufacturers.

INDUSTRIAL SEAL KITS

MOBILE SEAL KITS

J.I. CASE

## TRACK-TYPE LOADER/DOZER

## J.I. CASE

Model	Application	Serial Number	Cylinder Number	Bore	Rod	Ref. Number RJIC-	\$
<b>1150 with backhoe models 32, 34, 36</b>	BACKHOE BOOM			4.000	2.000	D42876	14.10
						G33239	20.35
				2.250	D42878	18.52	
	4.500				DTVS4.5P	40.31	
	BACKHOE BUCKET			5.000	2.250	G32696	56.99
					1.750	D42873	20.87
				3.500	G33237	18.65	
	2.250				D42877	15.10	
	BACKHOE DIPPER			4.000	2.250	G33239	20.35
					4.000	G34636	51.03
				2.000	D42876	14.10	
				4.000	G33239	20.35	
BACKHOE STABILIZER	4.500	2.250	D42878	18.52			
			DTVS4.5P	40.31			
		2.250	G105520	72.21			
	4.500	2.500	G105513	74.47			
		1.750	D42873	20.87			
	3.500	G33237	18.65				
BACKHOE SWING	4.000	2.000	D42876	14.10			
		G33239	20.35				
	4.000	G32299	44.22				
	4.000	G105517	44.98				
	1.750	D42875	16.15				
DOZER LIFT	4.500	2.000	G32695	59.54			
			G105525	57.83			
		1.750	D42873	20.87			
	3.500	G33237	18.65				
		1.750	G105518	44.22			
		1.750	G105529	41.48			
		1.750	G105508	48.15			
DOZER TILT	3.500	1.750	D42873	20.87			
		G33237	18.65				
	3.500	G105518	44.22				
LOADER LIFT	5.000	2.500	G33823	54.06			
		2.250	G32696	56.99			
RIPPER	4.000	2.000	D42876	14.10			
		G33239	20.35				
		2.000	G32299	44.22			
		2.250	G105520	72.21			
	4.000	2.000	D42876	14.10			
		G33239	20.35				
		2.000	G105526	46.78			
		2.000	G105517	44.98			

INDUSTRIAL SEAL KITS

MOBILE SEAL KITS

J.I. CASE

All manufacturer's names, part numbers and descriptions are used for reference purposes only. We do not imply that any part shown is the product of these manufacturers.



## J.I. CASE

## TRACK-TYPE LOADER/DOZER

Model	Application	Serial Number	Cylinder Number	Bore	Rod	Ref. Number RJIC-	\$	
<b>1150B</b>	DOZER ANGLE			3.000	1.750	G105523	42.53	
				3.000	1.750	G34643	39.12	
				3.000	1.750	G105549	49.32	
	DOZER TILT & PITCH			4.000	2.250	G34636	51.03	
				4.000	2.250	G105556	50.39	
	DOZER TILT			4.500	2.250	G105520	72.21	
	FELLER BUNCHER			4.500	2.250	G105520	72.21	
	LOADER LIFT			5.000	2.250	G32696	56.99	
				5.000	2.250	G105530	72.30	
	LOADER TILT			4.500	2.250	G105520	72.21	
LOADER CLAM	4.500	2.250	G105520	72.21				
RIPPER	4.000	2.000	G105526	46.78				
<b>1150C, 1150D, 1155D</b>				4.000	2.000	1543273C1	54.77	
				DOZER ANGLE	3.000	1.750	1543262C1	40.31
				DOZER LIFT	3.500	1.750	G109471	42.53
				DOZER TILT	4.500	2.250	G105520	72.21
				DOZER TILT & PITCH	4.000	2.250	G109505	46.26
				LOADER LIFT	5.000	2.250	G109501	66.88
				LOADER TILT	4.500	2.250	G105520	72.21
				LOADER CLAM	4.500	2.250	G105520	72.21
				RIPPER	4.000	2.000	1543273C1	54.77
				<b>1450</b>				4.000
DOZER ANGLE	4.000	2.000	G105517					44.98
DOZER LIFT	4.000	2.000	1543273C1					54.77
DOZER TILT	6.000	3.000	G105516					74.94
DOZER TILT & PITCH	5.000	2.500	G105515					60.94
LOADER LIFT	5.500	2.500	G105514					64.34
LOADER TILT	5.000	2.500	G105515					60.94
LOADER CLAM	4.500	2.250	G105520					72.21
RIPPER	4.000	2.000	G105526					46.78
	4.000	2.000	1543273C1					54.77
<b>1450B, 1455B</b>				4.000	2.250	G105556	50.39	
				DOZER ANGLE	4.000	2.000	1543273C1	54.77
				DOZER LIFT	6.000	3.000	G105516	74.94
				DOZER TILT	5.000	2.500	G105515	60.94
				DOZER TILT & PITCH	5.500	2.500	G105514	64.34
				LOADER LIFT	5.000	2.500	G105515	60.94
				LOADER TILT	5.000	2.500	G105515	60.94
				LOADER CLAM	4.500	2.250	G105520	72.21
RIPPER	4.000	2.000	1543273C1	54.77				

All manufacturer's names, part numbers and descriptions are used for reference purposes only. We do not imply that any part shown is the product of these manufacturers.

INDUSTRIAL SEAL KITS

MOBILE SEAL KITS

J.I. CASE

## UNIMOG

## J.I. CASE

Model	Application	Serial Number	Cylinder Number	Bore	Rod	Ref. Number RJIC-	\$
<b>MB4/94 with model 26C backhoe, P80 cable plow, T70 trencher</b>	3-POINT HITCH LIFT			3.000	1.500	G105512	44.43
				3.000	1.500	G105548	38.76
	3-POINT HITCH PITCH BACKHOE BOOM			2.250	1.250	G105507	26.17
				4.000	2.250	G34636	51.03
				4.000	2.250	G105556	50.39
	BACKHOE BUCKET			3.000	1.750	G105524	48.96
				3.000	1.750	G105549	49.32
	BACKHOE DIPPER			3.500	2.000	G105527	48.75
				3.500	2.000	G105546	43.63
	BACKHOE DIPPER EXT.			3.000	1.500	G105512	44.43
			3.000	1.500	G105548	38.76	
	BACKHOE STABILIZER			3.000	1.750	G105524	48.96
				3.000	1.750	G105549	49.32
				3.500	1.750	G105518	44.22
	BACKHOE SWING			3.500	1.500	G34652	38.92
				3.500	1.500	G105555	36.48
	CABLE PLOW SHIFT			2.500	1.500	G105550	29.08
	FORKLIFT MAST TILT			3.000	1.250	G105510	26.75
	LIFT			3.000	1.750	G105524	48.96
	TILT			3.500	1.500	G34646	38.28
				3.000	1.500	G105502	37.63

## UNI-LOADER

<b>1530B</b>	BUCKET			3.000	1.500	G105502	37.63
	BUCKET CLAM			3.000	1.500	G105502	37.63
	GRAPPLE			2.000	1.000	D61006	7.66
	LIFT	PRIOR-9818250		3.000	1.500	G105502	37.63
		9818251-UP		2.500	1.500	G109458	23.27
	SCARIFIER			3.000	1.500	G105502	37.63
	WOOD TICK			3.000	1.500	G105502	37.63
<b>1700</b>	BUCKET			3.000	1.500	G105502	37.63
	BUCKET CLAM			3.000	1.500	G105502	37.63
	GRAPPLE			2.000	1.000	D61006	7.66
	LIFT			3.000	1.500	G105502	37.63
	SCARIFIER			3.000	1.500	G105502	37.63
	WOOD TICK			3.000	1.500	G105502	37.63
<b>1816B, 1816C</b>	BUCKET			2.000	1.000	D61006	7.66
	LIFT			2.000	1.000	D61006	7.66
	GRAPPLE			2.000	1.000	D61006	7.66

All manufacturer's names, part numbers and descriptions are used for reference purposes only. We do not imply that any part shown is the product of these manufacturers.

**Tel.: (204) 783-9617**  
**Fax: (204) 783-6091**

**KITS 381**

**www.sealsonline.com**

INDUSTRIAL  
SEAL KITS

MOBILE  
SEAL KITS

J.I. CASE

## J.I. CASE

## UNI-LOADER

Model	Application	Serial Number	Cylinder Number	Bore	Rod	Ref. Number RJIC-	\$
<b>1830</b>	BUCKET			2.500	1.000	G34807	16.37
				2.500	1.000	G35378	15.80
				2.500	1.250	G105507	26.17
	GRAPPLE LIFT SCARIFIER			2.000	1.000	D61006	7.66
				2.125	1.250	G34819	23.48
				3.000	1.500	G105502	37.63
<b>1835, 1835B</b>	BUCKET			2.500	1.250	G109476	31.71
	GRAPPLE			2.000	1.000	D61006	7.66
	LIFT			2.125	1.250	G34819	23.48
				2.500	1.500	G109458	23.27
<b>1845, 1845B, 1845C, 1845S</b>	BUCKET			2.500	1.250	G109476	31.71
	CLAM			3.000	1.500	G109418	29.24
	LIFT			2.500	1.500	G109458	23.27
	SCARIFIER			3.000	1.500	G109418	29.24

## WHEELED BACKHOE LOADER

<b>380LL</b>	LIFT			2.500	1.500	G32294	30.61
	TILT			2.500	1.500	G32294	30.61
<b>430 with backhoe models 21, 22, 23</b>	BACKHOE BOOM				1.750	D42872	15.21
				3.000		G33151	16.84
					1.750	D42873	20.87
	BACKHOE BUCKET			3.500		G33237	18.65
					2.000	D42874	13.70
				3.000		G33151	16.84
	BACKHOE DIPPER				2.000	D42874	13.70
				3.500		G33237	18.65
				3.000		G33151	16.84
	BACKHOE STABILIZER				1.250	D42867	16.30
2.500			G33193	16.42			
		1.250	D42867	16.30			
	LOADER LIFT		2.500		G33193	16.42	
			1.500	D42869	20.47		
		2.500		G33193	16.42		
<b>480, 480B with backhoe models 23, 26, 26B, 26S</b>	3-POINT HITCH	LIFT		3.000	1.500	G105512	44.43
		TILT		2.500	1.250	G32295	29.76
		PITCH		2.500	1.250	G32295	29.76
		BACKHOE BOOM		2.500	1.250	G105507	26.17
					1.750	D42873	20.87
		3.500		G33237	18.65		

All manufacturer's names, part numbers and descriptions are used for reference purposes only. We do not imply that any part shown is the product of these manufacturers.

INDUSTRIAL SEAL KITS

MOBILE SEAL KITS

J.I. CASE

## WHEELED BACKHOE LOADER

**J.I. CASE**

Model	Application	Serial Number	Cylinder Number	Bore	Rod	Ref. Number RJIC-	\$	
	BACKHOE BUCKET			3.500	1.750	G105529	41.48	
				4.000	2.500	G34636	51.03	
					1.500	D42870	20.32	
				3.000		G33151	16.84	
					1.750	D42872	15.21	
			3.000	3.000	G33151	16.84		
	BACKHOE DIPPER			3.000	1.750	G105524	48.96	
					2.000	D42874	13.70	
	BACKHOE DIPPER			3.500		G33237	18.65	
					3.500	2.000	G32293	39.96
	BACKHOE DIPPER EXT.			3.500	2.000	G105527	48.75	
					3.000	1.500	G105512	44.43
	BACKHOE STABILIZER				1.250	D42867	16.30	
					2.500	G33193	16.42	
						1.500	D42870	20.32
					3.000	G33151	16.84	
						1.750	D42872	15.21
				3.000	3.000	G33151	16.84	
	BACKHOE SWING			3.000	1.750	G105524	48.96	
					3.500	1.750	G105518	44.22
					3.500	1.750	G105529	41.48
						1.250	D42867	16.30
					2.500	G33193	16.42	
					1.500	D47896	16.40	
	LOADER LIFT			3.500		G33237	18.65	
					3.500	1.500	G34652	38.92
					4.000	1.750	G105519	42.42
						1.500	D42869	20.47
					2.500		G33193	16.42
	LOADER TILT			2.500	1.500	G32294	30.61	
						1.500	D42870	20.32
	STEERING			3.000		G33151	16.84	
					3.000	1.500	G105512	44.43
			87357171-UP		2.500	1.500	G32294	30.61
				1.500	0.750	A44644	10.31	
<b>480C</b>	3-POINT HITCH LIFT			3.000	1.500	G105512	44.43	
				3.000	1.500	G109452	29.44	
	3-POINT HITCH PITCH				2.500	1.250	G109476	31.71
					2.500	1.250	G32295	29.76
	3-POINT HITCH TILT				2.500	1.250	G109475	32.96
					4.000	2.250	G34636	51.03
	BACKHOE BOOM			4.000	2.250	G109505	46.26	
	BACKHOE BUCKET			3.000	1.750	G109462	30.42	
	BACKHOE DIPPER			3.000	1.750	1543262C1	40.31	
	BACKHOE DIPPER			3.500	2.000	G109454	32.39	
BACKHOE DIPPER EXT.			3.500	2.000	G109453	43.63		
				3.000	1.500	G105512	44.43	

All manufacturer's names, part numbers and descriptions are used for reference purposes only. We do not imply that any part shown is the product of these manufacturers.

**Tel.: (780) 414-1871**  
**Fax: (780) 487-5419**

**KITS 383**

**www.sealsonline.com**

INDUSTRIAL  
SEAL KITS

MOBILE  
SEAL KITS

J.I. CASE

## J.I. CASE

## WHEELED BACKHOE LOADER

Model	Application	Serial Number	Cylinder Number	Bore	Rod	Ref. Number RJIC-	\$		
	BACKHOE STABILIZER			3.000	1.500	G109452	29.44		
				3.000	1.750	G109462	30.42		
				3.000	1.750	1543262C1	40.31		
				3.500	1.750	G109470	38.23		
				3.500	1.750	G109471	42.53		
	BACKHOE SWING			3.500	1.500	G34652	38.92		
				3.500	1.500	G109472	40.21		
				2.500	1.500	G109484	35.58		
	LOADER LIFT				2.500	1.500	1543253C1	42.78	
	LOADER TILT				2.500	1.500	G109484	35.58	
STEERING	2.500	1.500	1543253C1		42.78				
	1.500	0.750	A44644		10.31				
480D, 480D LL		PRIOR-8980833		1.500	0.750	D148100	15.53		
		8980834-UP		3.000	1.500	G109452	29.44		
		3-POINT HITCH LIFT		2.500	1.250	G109475	32.96		
		3-POINT HITCH TILT		2.500	1.250	G109476	31.71		
		3-POINT HITCH PITCH		3.250	2.000	G109465	46.22		
		BACKHOE BUCKET		3.500	2.500	G109504	43.09		
		BACKHOE DIPPER		3.500	2.000	G109453	43.63		
		BACKHOE DIPPER EXT.		3.000	1.500	G109452	29.44		
		BACKHOE STABILIZER		3.000	1.750	1543262C1	40.31		
		BACKHOE SWING		3.500	1.750	G109471	42.53		
	BACKHOE LIFT		2.500	1.500	1543253C1	42.78			
	LOADER TILT		2.500	1.500	1543253C1	42.78			
	STEERING		1.500	0.750	D148100	15.53			
480E, 480E LL				3.000	1.500	G109452	29.44		
				3-POINT HITCH LIFT	2.500	1.250	G109475	32.96	
				3-POINT HITCH TILT	2.500	1.250	G109476	31.71	
				3-POINT HITCH PITCH	3.250	2.000	G109465	46.22	
				BACKHOE BUCKET	3.500	2.000	G109453	43.63	
				BACKHOE DIPPER	3.000	1.500	G109452	29.44	
				BACKHOE DIPPER EXT.	3.500	1.750	G109471	42.53	
480F, 480F LL				3.500	1.750	G109471	42.53		
				BACKHOE STABILIZER	3.500	1.500	G109472	40.21	
				BACKHOE SWING	2.500	1.500	1543253C1	42.78	
				LOADER LIFT	2.500	1.500	1543253C1	42.78	
				LOADER TILT	1.500	0.750	D148100	15.53	
				STEERING	G101189	3.000	1.500	1543252C1	41.90
				G101188	2.500	1.250	1543250C1	36.43	
				3-POINT HITCH LIFT	1976884C1	2.500	1.250	1543249C1	45.83
				3-POINT HITCH PITCH	G102835	4.000	1.750	1543264C1	50.77
				BACKHOE BOOM	G109342	3.500	2.500	1543294C1	45.90
				BACKHOE BUCKET	480F	1340827C1	3.500	1.750	1543266C1
BACKHOE STABILIZER									

All manufacturer's names, part numbers and descriptions are used for reference purposes only. We do not imply that any part shown is the product of these manufacturers.

INDUSTRIAL SEAL KITS

MOBILE SEAL KITS

J.I. CASE

## WHEELED BACKHOE LOADER

J.I. CASE

Model	Application	Serial Number	Cylinder Number	Bore	Rod	Ref. Number RJIC-	\$
	BACKHOE SWING	480F ONLY	G110395	3.500	1.500	1543254C1	45.89
	BUCKET		G103503	3.250	2.000	1543268C1	46.70
	DIPPER EXT.	480F ONLY	G101203	3.000	1.500	1543252C1	41.90
	DIPPER 12 FT MODEL		G104844	3.500	2.000	1543274C1	55.94
	DIPPER 14 FT MODEL		1980159C1	3.250	2.000	1980181C2	57.06
	LOADER LIFT		1340792C1	3.000	1.750	1543267C1	48.79
	LOADER BUCKET		G101186	2.500	1.500	1543253C1	42.78
	LOADER CLAM		G101190	3.000	1.750	1543262C1	40.31
			1346189C1	3.000	1.750	1543267C1	48.79
	<b>530 with backhoe models 31, 32, 32S</b>	BACKHOE BOOM			4.000	2.000	D42876
				4.000		G33239	20.35
BACKHOE BUCKET				3.500	1.750	G32616	40.83
				3.500	1.750	D42873	20.87
				3.500	1.750	G33237	18.65
				3.500	1.750	G105518	44.22
BACKHOE DIPPER				4.000	2.000	D42876	14.10
				4.000		G33239	20.35
BACKHOE STABILIZER				4.000	2.000	G105526	46.78
				3.500	1.750	D42873	20.87
				3.500	1.750	G33237	18.65
				3.500	1.750	G105518	44.22
	BACKHOE SWING			3.500	1.750	G105529	41.48
				4.000	1.750	D42875	16.15
				4.000		G33239	20.35
	LOADER LIFT			4.000	1.750	G32617	42.53
				2.500	1.500	D42869	20.47
				2.500		G33193	16.42
				3.000	1.500	D42870	20.32
				3.000		G33151	16.84
	LOADER TILT			2.500	1.250	D42867	16.30
				2.500		G33193	16.42
				2.500	1.500	D42869	20.47
				2.500		G33193	16.42
				3.000	1.750	D42872	15.21
				3.000		G33151	16.84
<b>580 with backhoe models 33, 33S</b>	3-POINT HITCH LIFT			2.500	1.500	G32294	30.61
				3.000	1.500	G105512	44.43
	3-POINT HITCH PITCH			2.500	1.250	G32295	29.76
				2.500	1.250	G105507	26.17
	BACKHOE BOOM			4.000	2.000	D42876	14.10
				4.000		G33239	20.35

All manufacturer's names, part numbers and descriptions are used for reference purposes only. We do not imply that any part shown is the product of these manufacturers.

Tel.: (403) 279-1871  
Fax: (403) 279-1821

**KITS 385**

[www.sealsonline.com](http://www.sealsonline.com)

INDUSTRIAL  
SEAL KITS

MOBILE  
SEAL KITS

J.I. CASE

## J.I. CASE

## WHEELED BACKHOE LOADER

Model	Application	Serial Number	Cylinder Number	Bore	Rod	Ref. Number RJIC-	\$
				4.000	2.000	G32299	44.22
				4.000	2.000	G105517	44.98
					2.250	D42878	18.52
				4.500		DTVS4.5P	40.31
				4.500	2.250	G105520	72.21
	BACKHOE BUCKET				1.750	D42873	20.87
				3.500		G33237	18.65
					2.000	D42874	13.70
				3.500		G33237	18.65
				3.500	2.000	G32293	39.96
	BACKHOE DIPPER			3.500	2.000	G105527	48.75
					2.000	D42876	14.10
				4.000		G33239	20.35
				4.000	2.000	G32299	44.22
				4.000	2.000	G105517	44.98
	BACKHOE DIPPER EXT.				1.750	D42873	20.87
				3.500		G33237	18.65
				3.500	1.750	G105529	41.48
	BACKHOE STABILIZER			3.000	1.500	G105512	44.43
					1.750	D42873	20.87
				3.500		G33237	18.65
				3.500	1.750	G105518	44.22
	BACKHOE SWING			3.500	1.750	G105529	41.48
					1.750	D42875	16.15
				4.000		G33239	20.35
				4.000	1.750	G105519	42.42
	LOADER LIFT				1.500	D42870	20.32
				3.000		G33151	16.84
				3.000	1.500	G105512	44.43
	LOADER HYDRA-LEVELING				1.750	D42872	15.21
				3.000		G33151	16.84
				3.000	1.750	G105524	48.96
	LOADER CLAM			3.000	1.750	G105524	48.96
	LOADER GRAPPLE				1.500	D42869	20.47
				2.500		G33193	16.42
				2.500	1.500	G32294	30.61
	LOADER TILT				1.500	D42869	20.47
				2.500		G33193	16.42
				2.500	1.500	G32294	30.61
<b>580B with backhoe model 35</b>	3-POINT HITCH LIFT			3.000	1.500	G105512	44.43
				3.000	1.500	G105548	38.76
	3-POINT HITCH TILT			2.500	1.250	G32295	29.76
				2.500	1.250	G105551	32.96
	3-POINT HITCH PITCH			2.500	1.250	G32295	29.76
				2.500	1.250	G105507	26.17

All manufacturer's names, part numbers and descriptions are used for reference purposes only. We do not imply that any part shown is the product of these manufacturers.

INDUSTRIAL  
SEAL KITS

MOBILE  
SEAL KITS

J.I. CASE

## WHEELED BACKHOE LOADER

J.I. CASE

Model	Application	Serial Number	Cylinder Number	Bore	Rod	Ref. Number RJIC-	\$
	BACKHOE BOOM			3.250	1.750	G105528	42.53
				3.250	1.750	G105547	44.58
	BACKHOE BUCKET			3.500	2.000	G105527	48.75
				3.500	2.000	G105546	43.63
	BACKHOE DIPPER			4.000	2.000	G105517	44.98
				4.000	2.000	1543273C1	54.77
	BACKHOE DIPPER EXT.			3.000	1.500	G105512	44.43
				3.000	1.500	G105548	38.76
	BACKHOE STABILIZER			3.500	2.000	G105527	48.75
				4.000	2.000	G105517	44.98
			4.000	2.000	1543273C1	54.77	
			3.500	1.750	G105529	41.48	
	BACKHOE SWING			4.000	2.000	G105517	44.98
				4.000	2.000	1543273C1	54.77
	LOADER LIFT			3.000	1.500	G105512	44.43
				3.000	1.500	G105548	38.76
	LOADER TILT			2.500	1.500	G32294	30.61
				2.500	1.500	G105550	29.08
	LOADER HYDRA-LEVELING			3.000	1.750	G105524	48.96
				3.000	1.750	G105549	49.32
	LOADER CLAM			3.000	1.750	G105524	48.96
				3.000	1.750	G105549	49.32
LOGGING FORK GRAPPLE			2.500	1.500	G32294	30.61	
			2.500	1.500	G105550	29.08	
	STEERING			1.500	0.750	A44644	10.31
<b>580CK with backhoe model 35</b>	3-POINT HITCH LIFT			3.000	1.500	G105512	44.43
				3.000	1.500	G109452	29.44
	3-POINT HITCH TILT			2.500	1.250	G32295	29.76
				2.500	1.250	G109475	32.96
	3-POINT HITCH PITCH			2.500	1.250	G109476	31.71
BACKHOE BOOM			3.250	1.750	G105528	42.53	
	BACKHOE BUCKET			3.250	1.750	1543265C1	49.93
				3.500	2.000	G109454	32.39
				3.500	2.000	G109453	43.63
	BACKHOE DIPPER			4.000	2.000	G109421	34.12
				4.000	2.000	1543273C1	54.77
	BACKHOE DIPPER EXT.			3.000	1.500	G105512	44.43
				3.000	1.500	G109452	29.44
	BACKHOE STABILIZER			4.000	2.000	G109421	34.12
				4.000	2.000	1543273C1	54.77
	BACKHOE SWING			4.000	2.000	G109421	34.12
			4.000	2.000	1543273C1	54.77	
LOADER LIFT			3.000	1.750	G109462	30.42	

All manufacturer's names, part numbers and descriptions are used for reference purposes only. We do not imply that any part shown is the product of these manufacturers.

Tel.: (604) 278-6808  
Fax: (604) 278-6180

**KITS 387**

[www.sealsonline.com](http://www.sealsonline.com)

INDUSTRIAL  
SEAL KITS

MOBILE  
SEAL KITS

J.I. CASE



## J.I. CASE

## WHEELED BACKHOE LOADER

Model	Application	Serial Number	Cylinder Number	Bore	Rod	Ref. Number RJIC-	\$
	LOADER TILT			3.000	1.750	1543262C1	40.31
				2.500	1.500	G109484	35.58
				2.500	1.500	1543253C1	42.78
	LOADER CLAM			3.000	1.750	G109462	30.42
				3.000	1.750	1543262C1	40.31
				2.500	1.500	G109484	35.58
	LOADER GRAPPLE			2.500	1.500	1543253C1	42.78
	STEERING			1.500	0.750	A44644	10.31
				1.500	0.750	D148100	15.53
<b>580D, 580 SUPER D</b>	3-POINT HITCH LIFT			3.000	1.500	G109452	29.44
	3-POINT HITCH TILT			2.500	1.250	G109475	32.96
	3-POINT HITCH PITCH			2.500	1.250	G109476	31.71
	BACKHOE BOOM			3.250	1.750	1543265C1	49.93
	BACKHOE BUCKET			3.500	2.000	G109453	43.63
				3.500	2.500	G109504	43.09
	BACKHOE DIPPER			4.000	2.000	1543273C1	54.77
				4.000	2.500	G109424	50.96
	BACKHOE DIPPER EXT.			3.000	1.500	G109452	29.44
	BACKHOE STABILIZER			4.000	2.000	1543273C1	54.77
BACKHOE SWING			4.000	2.000	1543273C1	54.77	
LOADER LIFT			3.000	1.750	1543262C1	40.31	
	LOADER TILT			2.500	1.500	1543253C1	42.78
	LOADER CLAM			3.000	1.750	1543262C1	40.31
	STEERING			1.500	0.750	D148100	15.53
<b>580 SUPER E</b>	3-POINT HITCH LIFT			3.000	1.500	G109452	29.44
	3-POINT HITCH TILT			2.500	1.250	G109475	32.96
	3-POINT HITCH PITCH			2.500	1.250	G109476	31.71
	BACKHOE BOOM			3.250	1.750	1543265C1	49.93
	BACKHOE BUCKET			3.500	2.500	G109504	43.09
				4.000	2.500	G109424	50.96
BACKHOE DIPPER			4.000	2.000	1543273C1	54.77	
BACKHOE DIPPER EXT.			3.000	1.500	G109452	29.44	
BACKHOE STABILIZER			4.000	2.000	1543273C1	54.77	
BACKHOE SWING			4.000	2.000	1543273C1	54.77	
LOADER LIFT			3.000	1.750	1543262C1	40.31	
LOADER TILT			2.500	1.500	1543253C1	42.78	
LOADER CLAM			3.000	1.750	1543262C1	40.31	
STEERING			1.500	0.750	D148100	15.53	

All manufacturer's names, part numbers and descriptions are used for reference purposes only. We do not imply that any part shown is the product of these manufacturers.

INDUSTRIAL  
SEAL KITS

MOBILE  
SEAL KITS

J.I. CASE

## WHEELED BACKHOE LOADER

J.I. CASE

Model	Application	Serial Number	Cylinder Number	Bore	Rod	Ref. Number RJIC-	\$
580F	BACKHOE BOOM			3.250	1.750	G105528	42.53
				3.250	1.750	G105547	44.58
	BACKHOE BUCKET			3.500	2.000	G105527	48.75
				3.500	2.000	G105546	43.63
	BACKHOE DIPPER			4.000	2.000	G105517	44.98
				4.000	2.000	1543273C1	54.77
	BACKHOE EXTENDAHOE			3.000	1.500	G105512	44.43
				3.000	1.500	G105548	38.76
	BACKHOE STABILIZER	PRIOR-3.775.176		4.000	2.000	G105517	44.98
		3.775.177-UP		4.000	2.000	1543273C1	54.77
	PRIOR-3.785.895		3.000	1.750	G105524	48.96	
	3.785.896-UP		3.000	1.750	G105549	49.32	
	BACKHOE SWING	PRIOR-3.775.161		4.000	2.000	G105517	44.98
		3.775.162-UP		4.000	2.000	1543273C1	54.77
		PRIOR-3.785.922		4.000	1.750	G34626	45.93
		3.785.923-3.787.235		4.000	1.750	G105552	46.45
	LOADER LIFT			3.250	2.000	G105553	48.87
	LOADER TILT			2.500	1.500	G32294	30.61
				2.500	1.500	G105550	29.08
	LOADER CLAM			3.000	1.750	G105524	48.96
				3.000	1.750	G105549	49.32
	STEERING	3.736.937-UP		1.500	0.750	D148100	15.53
580K	3-PT HITCH LIFT & TILT			3.000	1.250	G110048	30.31
				2.750	1.250	G110047	32.09
	BACKHOE BOOM			5.000	2.250	G110583	124.16
	BACKHOE BUCKET			3.500	2.500	G110046	42.70
	BACKHOE DIPPER			5.000	2.500	1542915C2	59.54
	BACKHOE DIPPER EXT.			3.000	1.750	G110049	38.19
	BACKHOE STABILIZER			4.250	2.000	1543275C1	52.93
	BACKHOE SWING			3.250	1.750	G110053	35.03
				3.500	1.750	G110621	39.78
	LOADER LIFT			3.250	1.750	G110053	35.03
LOADER TILT			3.000	1.500	G110050	33.71	
LOADER CLAM			3.000	1.750	1543262C1	40.31	
	SIDE SHIFT SWING			4.000	2.000	1543269C1	50.10
	SIDE SHIFT STABILIZER			3.000	1.750	1543262C1	40.31
	STEERING			2.750	1.500	G110045	44.22
580 SUPER L	BACKHOE BOOM		144200A1	5.000	2.250	1542919C2	134.74
	BACKHOE DIPPER		126151A1				
			183795A1	5.000	2.500	1542915C2	59.54
			183795A2				
	BACKHOE BUCKET		110290A1	3.500	2.500	1542923C2	63.00
			235916A1				

All manufacturer's names, part numbers and descriptions are used for reference purposes only. We do not imply that any part shown is the product of these manufacturers.

Tel.: (418) 688-3202  
Fax: (418) 688-4272

**KITS 389**

[www.sealsonline.com](http://www.sealsonline.com)

INDUSTRIAL  
SEAL KITS

MOBILE  
SEAL KITS

J.I. CASE

## J.I. CASE

## WHEELED BACKHOE LOADER

Model	Application	Serial Number	Cylinder Number	Bore	Rod	Ref. Number RJIC-	\$
	BACKHOE DIPPER EXT. BACKHOE STABILIZER		1340969C2 143695A1 143697A1 199720A1 199721A1	3.000 4.250	1.750 2.000	1543267C1 1543275C1	48.79 52.93
	BACKHOE SWING		139808A1	4.000	2.000	122535A1	84.42
	LOADER LIFT		112366A2	3.250	1.750	1543260C1	49.93
	LOADER BUCKET		113133A2 1346189C1	3.000 3.000	1.500 1.750	1543256C1 1543267C1	39.46 48.79
	LOADER CLAM		1346190C1	3.000	1.750	1543267C1	48.79
<b>580L</b>	3-POINT HITCH LIFT		137512A1 196832A1 137912A1	3.000 2.500	1.500 1.250	1543256C1 183286A1	39.46 45.46
	3-POINT HITCH PITCH		138235A1	2.500	1.250	183286A1	45.46
	BACKHOE BOOM		182106A1	4.500	2.250	182218A1	88.85
	BACKHOE DIPPER		175774A1 233114A1	4.250 4.250	2.250 2.250	234844A1 234844A1	92.24 92.24
	BACKHOE BUCKET		128760A1	3.250	2.250	131750A2	61.71
	BACKHOE DIPPER EXT. BACKHOE STABILIZER		1340970C2 143574A1 143575A1 195503A1	3.000 4.000	1.750 2.000	1543267C1 1543269C1	48.79 50.10
	BACKHOE SWING		195504A1 139808A1 139808A2 188027A1	4.000 3.750	2.000 2.000	122535A1 191747A1	84.42 84.55
	LOADER LIFT		131417A1	3.000	1.750	1543267C1	48.79
	LOADER BUCKET		175238A1	2.750	1.500	175251A1	64.10
	LOADER CLAM		1346189C1	3.000	1.750	1543267C1	48.79
<b>580SK</b>	BACKHOE BOOM			5.000	2.250	G110583	124.16
	BACKHOE BUCKET			3.500	2.500	G110046	42.70
	BACKHOE DIPPER			5.000	2.500	G110582	51.70
	BACKHOE DIPPER EXT.			3.000	1.750	G110049	38.19
	BACKHOE STABILIZER			4.250	2.000	1543275C1	52.93
	BACKHOE SWING			3.500	1.750	G110621	39.78
	LOADER LIFT			3.500	1.750	G110621	39.78
	LOADER TILT			3.000	1.500	G110050	33.71
	LOADER CLAM			3.000	1.750	1543262C1	40.31
	SIDE SHIFT SWING			4.500	2.250	1543279C1	56.12
<b>580SL construction king</b>	BACKHOE BOOM		144200A1	5.000	2.250	1542919C2	134.74
	BACKHOE BUCKET		110290A1 235916A1	3.500	2.500	1542923C2	63.00
	BACKHOE DIPPER		126151A1 183795A1	5.000	2.500	1542915C2	59.54
	BACKHOE DIPPER EXT.		1340969C2	3.000	1.750	1543267C1	48.79

All manufacturer's names, part numbers and descriptions are used for reference purposes only. We do not imply that any part shown is the product of these manufacturers.

INDUSTRIAL  
SEAL KITS

MOBILE  
SEAL KITS

J.I. CASE

## WHEELED BACKHOE LOADER

## J.I. CASE

Model	Application	Serial Number	Cylinder Number	Bore	Rod	Ref. Number RJIC-	\$
	BACKHOE SWING		139808A1 139808A2	4.000	2.000	122535A1	84.42
	LOADER CLAM LH LOADER CLAM RH		1346189C1 1346190C1	3.000	1.750	1543267C1	48.79
	STABILIZER LH		143697A1 199721A1	4.250	2.000	1543275C1	52.93
	STABILIZER RH		143695A1 199720A1	4.250	2.000	1543275C1	52.93
<b>590</b>	BACKHOE BOOM		1980395C5 1980395C6	5.500	2.500	1980412C2	179.76
	BACKHOE DIPPER		1994520C1 1994520C2	5.500	2.750	1994527C2	174.77
	BACKHOE BUCKET		1986902C1 1986902C2	3.500	2.500	1542923C2	63.00
	BACKHOE DIPPER EXT. BACKHOE STABILIZER		1340853C2 1986810C1 1986811C1 110885A1 110886A1	3.000 5.000	1.750 2.250	1543267C1 1543289C2	48.79 76.85
	BACKHOE SWING		1343584C1	3.750	2.000	1980181C2	57.06
	LOADER LIFT		1343584C2 1980220C2 1542743C1 110875A1	3.500	1.750	1543266C1	49.69
	LOADER BUCKET		G108486 G108487	3.000	1.500	1543256C1	39.46
	LOADER CLAM		110306A1 110309A1 1346189C1 1346190C1	3.000	1.750	1543267C1	48.79
<b>590 SUPER L</b>	BACKHOE BOOM		175785A1	5.500	2.500	1980412C2	179.76
	BACKHOE DIPPER BACKHOE BUCKET		140965A1 1986902C2 238435A1	5.500 3.500	2.500 2.500	179011A1 1542923C2	138.01 63.00
	BACKHOE DIPPER EXT. BACKHOE STABILIZER		1340853C2 177256A1 177257A1	3.000 5.000	1.750 2.250	1543267C1 1543289C2	48.79 76.85
	BACKHOE SWING		139808A1 139808A1	4.000	2.000	122535A1	84.42
	LOADER LIFT LOADER BUCKET LOADER CLAM		133936A1 113133A2 1346189C1 1346190C1	3.500 3.500 3.000	1.750 1.750 1.750	1543266C1 1543256C1 1543267C1	49.69 39.46 48.79

INDUSTRIAL SEAL KITS

MOBILE SEAL KITS

J.I. CASE

All manufacturer's names, part numbers and descriptions are used for reference purposes only. We do not imply that any part shown is the product of these manufacturers.

**Tel.: (514) 334-2220**  
**Fax: (514) 333-8329**

**KITS 391**

[www.sealsonline.com](http://www.sealsonline.com)

## J.I. CASE

## WHEELED BACKHOE LOADER

Model	Application	Serial Number	Cylinder Number	Bore	Rod	Ref. Number RJIC-	\$
680	3-POINT HITCH PITCH BACKHOE BOOM	ALL		2.500	1.250	G110055	49.72
					2.250	D42878	18.52
	4.500				DTVS4.5P	40.31	
				2.250	D42877	15.10	
	4.000				G33239	20.35	
				2.250	D42878	18.52	
	4.500				DTVS4.5P	40.31	
				1.750	D42873	20.87	
	3.500				G33237	18.65	
				1.750	D42875	16.15	
	4.000	G33239	20.35				
	1.750	D42873	20.87				
680B	BACKHOE BOOM BACKHOE BUCKET			3.500		G33237	18.65
				5.000	2.250	G32696	56.99
				2.250	D42877	15.10	
	4.000				G33239	20.35	
	4.000			2.250	G34636	51.03	
				2.250	D42878	18.52	
	4.500				DTVS4.5P	40.31	
	4.500			2.250	G105520	72.21	
				2.000	D42876	14.10	
	4.000				G33239	20.35	
	4.000			2.000	G32299	44.22	
				4.500	2.000	G32695	59.54
				4.500	2.000	G105525	57.83
				2.000	D42874	13.70	
				3.500	G33237	18.65	
	3.500	2.000	G34648	45.09			
	1.750	D42872	15.21				
	3.000	G33151	16.84				
	3.000	1.750	G105524	48.96			
	1.750	D42872	15.21				
	3.000	G33151	16.84				
	3.000	1.750	G105524	48.96			
680C	3-POINT HITCH TILT			2.500	1.500	G32294	30.61
				2.500	1.500	G105550	29.08
	2.500			1.500	G32294	30.61	
	2.500			1.500	G105550	29.08	
	5.000			2.250	G32696	56.99	
	4.000			2.250	G34636	51.03	
	2.500			1.250	G105551	32.96	
				2.250	D42878	18.52	
	4.500				DTVS4.5P	40.31	
	4.500			2.250	G105520	72.21	
	3.000	1.500	G105512	44.43			
	3.000	1.500	G105512	44.43			

All manufacturer's names, part numbers and descriptions are used for reference purposes only. We do not imply that any part shown is the product of these manufacturers.

INDUSTRIAL  
SEAL KITS

MOBILE  
SEAL KITS

J.I. CASE

## WHEELED BACKHOE LOADER

J.I. CASE

Model	Application	Serial Number	Cylinder Number	Bore	Rod	Ref. Number RJIC-	\$	
	BACKHOE STABILIZER				2.000	D42876	14.10	
				4.000		G33239	20.35	
				4.000	2.000	G32299	44.22	
				4.000	2.000	G105517	44.98	
				4.000	2.000	1543273C1	54.77	
	BACKHOE SWING				4.500	2.000	G32695	59.54
					4.500	2.000	G105525	57.83
	LOADER LIFT				3.500	2.000	G34648	45.09
					3.500	2.000	G105521	42.53
					3.500	2.000	G105546	43.63
	LOADER TILT				3.000	1.750	G105524	48.96
					3.000	1.750	G34643	39.12
3.000					1.750	G105549	49.32	
680CK	LOADER HYDRA-LEVELING			3.000	1.750	G105524	48.96	
				3.000	1.500	G105548	38.76	
	LOADER CLAM				3.000	1.500	G105512	44.43
					3.000	1.500	G105548	38.76
BACKHOE BOOM					2.250	D42878	18.52	
				4.500		DTVS4.5P	40.31	
					2.250	D42877	15.10	
				4.000		G33239	20.35	
BACKHOE BUCKET					2.250	D42877	15.10	
				4.000		G33239	20.35	
BACKHOE DIPPER					2.250	D42878	18.52	
				4.500		DTVS4.5P	40.31	
	BACKHOE STABILIZER				2.000	D42876	14.10	
				4.000		G33239	20.35	
	BACKHOE SWING					1.750	D42875	16.15
					4.000		G33239	20.35
	LOADER LIFT					2.000	D42874	13.70
					3.500		G33237	18.65
	LOADER TILT					1.750	D42872	15.21
					3.000		G33151	16.84
LOADER HYDRA-LEVELING					1.750	D42872	15.21	
				3.000		G33151	16.84	
680E	BACKHOE BOOM			4.000	2.250	G34827	51.03	
				4.000	2.250	G105556	50.39	
	BACKHOE BUCKET				4.000	2.250	G34636	51.03
					4.000	2.250	G105556	50.39
	BACKHOE DIPPER				4.500	2.500	G105513	74.47
					3.000	1.500	G105512	44.43
	BACKHOE DIPPER EXT.				3.000	1.500	G105548	38.76
					4.500	2.000	G105525	57.83
	BACKHOE STABILIZER				4.000	2.000	G105517	44.98
					4.000	2.000	1543273C1	54.77
BACKHOE SWING				4.000	2.000	G105517	44.98	
				4.000	2.000	1543273C1	54.77	
LOADER LIFT				3.500	2.000	G105521	42.53	
				3.500	2.000	G105546	43.63	

All manufacturer's names, part numbers and descriptions are used for reference purposes only. We do not imply that any part shown is the product of these manufacturers.

Tel.: (905) 362-0889  
Fax: (888) 238-1664

**KITS 393**

[www.sealsonline.com](http://www.sealsonline.com)

INDUSTRIAL  
SEAL KITS

MOBILE  
SEAL KITS

J.I. CASE

## J.I. CASE

## WHEELED BACKHOE LOADER

Model	Application	Serial Number	Cylinder Number	Bore	Rod	Ref. Number RJIC-	\$
	LOADER TILT			3.000	1.750	G34643	39.12
				3.000	1.750	G105549	49.32
	LOADER CLAM			3.000	1.500	G105512	44.43
				3.000	1.500	G105548	38.76
	STEERING			2.125	1.250	A43296	21.64
				2.125	1.250	G101021	22.81
<b>680G, 680H</b>				2.125	1.250	G34819	23.48
	BACKHOE BOOM			4.000	2.250	G105556	50.39
	BACKHOE BUCKET			4.000	2.250	G105556	50.39
	BACKHOE DIPPER			4.500	2.500	G105513	74.47
	BACKHOE DIPPER EXT.			3.000	1.500	G105548	38.76
<b>680K</b>	BACKHOE STABILIZER			4.500	2.000	G105525	57.83
	BACKHOE SWING			4.000	2.000	1543273C1	54.77
	LOADER LIFT			3.500	2.000	G105546	43.63
	LOADER TILT			3.000	1.750	G105549	49.32
	LOADER CLAM			3.000	1.500	G105548	38.76
	STEERING			2.125	1.250	G34819	23.48
	BACKHOE BOOM			4.000	2.250	G109505	46.26
	BACKHOE BUCKET			4.000	2.250	G109505	46.26
	BACKHOE DIPPER			4.500	2.500	G109498	68.68
	BACKHOE DIPPER EXT.			3.000	1.500	G109452	29.44
	BACKHOE SWING			4.000	2.000	1543273C1	54.77
	LOADER LIFT			3.500	2.000	G109453	43.63
<b>680L</b>	LOADER TILT			3.000	1.750	1543262C1	40.31
	LOADER CLAM			3.000	1.500	G109452	29.44
	STEERING			2.125	1.250	G34819	23.48
<b>680L</b>	BACKHOE BOOM		G101256	4.000	2.250	1543277C1	56.43
			1343567C1	4.000	2.250	1346478C2	83.75
	BACKHOE BUCKET		G103856	4.000	2.250	1543277C1	56.43
			1343602C1	4.000	2.250	1346478C2	83.75
	BACKHOE DIPPER		G101348	4.500	2.500	1543291C1	72.74
			1345994C1	4.500	2.500	1343707C2	66.70
	BACKHOE DIPPER EXT.		1980375C1	3.000	1.500	1543256C1	39.46
	BACKHOE STABILIZER		G102276	4.500	2.000	1543270C1	70.61
			1986853C1	4.500	2.000	1986856C2	72.38
	BACKHOE SWING		1978339C1	4.000	2.000	1543269C1	50.10
	LOADER LIFT	PRIOR TO JYG0070547 EXCEPT JYG00705423, 526 & 540	G103457	3.500	2.000	1543274C1	55.94
		PRIOR TO JYG0070523, 526, 540, 547 AND UP	G103073	4.000	2.250	1543277C1	56.43
	LOADER TILT		G101220	3.000	1.750	1543262C1	40.31
	LOADER CLAM		D143217	4.000	2.000	D143215	29.88

All manufacturer's names, part numbers and descriptions are used for reference purposes only. We do not imply that any part shown is the product of these manufacturers.

INDUSTRIAL  
SEAL KITS

MOBILE  
SEAL KITS

J.I. CASE

## WHEELED BACKHOE LOADER

J.I. CASE

Model	Application	Serial Number	Cylinder Number	Bore	Rod	Ref. Number RJIC-	\$		
<b>780</b>	BACKHOE BOOM	PRIOR TO 5500549 5500550-UP		4.500	2.500	G105513	74.47		
	BACKHOE BUCKET			5.000	3.000	G32668	60.29		
				5.000	3.000	G105531	69.74		
	BACKHOE DIPPER			6.000	3.000	G105516	74.94		
	BACKHOE DIPPER EXT.			4.000	2.250	G34636	51.03		
				4.000	2.250	G105556	50.39		
	BACKHOE STABILIZER			4.500	2.500	G105513	74.47		
	BACKHOE SWING			4.500	2.250	G105520	72.21		
	LOADER LIFT			4.500	2.250	G105520	72.21		
	LOADER TILT			3.500	1.750	G32228	39.46		
	LOADER HYDRA-LEVELING			3.500	1.750	G105508	48.15		
				4.000	2.000	G105517	44.98		
<b>780B</b>	LOADER CLAM	ALL ALL		4.000	2.000	G32299	44.22		
				4.000	2.000	1543273C1	54.77		
	BACKHOE BOOM			4.500	2.500	G105560	48.42		
	BACKHOE BUCKET			4.500	2.500	G105560	48.42		
	BACKHOE DIPPER			5.000	2.750	G105562	72.67		
	BACKHOE DIPPER EXT.			3.000	1.500	G105548	38.76		
	BACKHOE STABILIZER			4.500	2.250	G105557	64.90		
	BACKHOE SWING			4.000	2.000	1543273C1	54.77		
	LOADER LIFT			4.000	2.250	G105556	50.39		
	LOADER TILT			3.500	2.000	G105546	43.63		
	LOADER CLAM			4.000	2.000	1543273C1	54.77		
	STEERING					2.125	1.250	G34819	23.48

## WHEEL LOADER W-SERIES

<b>W3</b>	BACKHOE BOOM				2.000	D42876	14.10
				4.000	G33239	20.35	
	BACKHOE BUCKET				1.750	D42873	20.87
				3.500	G33237	18.65	
	BACKHOE DIPPER				2.000	D42876	14.10
			4.000	G33239	20.35		
	BACKHOE STABILIZER				1.750	D42873	20.87
				3.500	G33237	18.65	
	LOADER LIFT				1.500	D42870	20.32
				3.000	G33151	16.84	
	LOADER TILT				1.500	D42869	20.47
			2.500	G33193	16.42		
<b>W7, W7C, W7E</b>	BACKHOE BOOM				2.000	D42876	14.10
				3.000	G33151	16.84	
				4.000	G32299	44.22	
					2.250	D42878	18.52
				4.500	DTVS4.5P	40.31	
			4.500	2.250	G105520	72.21	

All manufacturer's names, part numbers and descriptions are used for reference purposes only. We do not imply that any part shown is the product of these manufacturers.

Tel.: (204) 783-9617  
Fax: (204) 783-6091

**KITS 395**

[www.sealsonline.com](http://www.sealsonline.com)

INDUSTRIAL  
SEAL KITS

MOBILE  
SEAL KITS

J.I. CASE



## J.I. CASE

## WHEEL LOADER W-SERIES

Model	Application	Serial Number	Cylinder Number	Bore	Rod	Ref. Number RJIC-	\$	
	BACKHOE BUCKET			3.500	1.750	D42873	20.87	
					2.000	G33237	18.65	
				3.500	2.000	D42874	13.70	
					2.250	G33237	18.65	
				3.500	2.000	G32293	39.96	
					2.250	D42877	15.10	
	BACKHOE DIPPER			4.000	2.250	G33239	20.35	
				4.000	2.000	G34636	51.03	
				4.000	2.000	D42876	14.10	
					2.000	G33239	20.35	
				4.000	2.000	G32299	44.22	
					2.250	D42878	18.52	
	BACKHOE STABILIZER			4.500	2.250	DTVS4.5P	40.31	
				4.500	1.750	G105520	72.21	
				3.500	1.750	D42873	20.87	
					1.750	G33237	18.65	
				3.500	1.750	G105518	44.22	
					1.750	G105529	41.48	
	BACKHOE SWING			4.000	2.000	D42876	14.10	
					2.000	G33239	20.35	
				4.000	2.000	G32299	44.22	
					1.750	D42875	16.15	
				4.000	1.750	G33239	20.35	
					1.750	G105519	42.42	
	LOADER LIFT			4.000	2.000	D42876	14.10	
	2.000				G33239	20.35		
	LOADER TILT			4.000	2.000	G32299	44.22	
W8E	LOADER LIFT			3.000	1.500	G105512	44.43	
	LOADER TILT			5.000	2.500	G32184	52.16	
	LOADER LIFT			3.500	1.750	G32228	39.46	
				LOADER TILT	5.000	2.500	G32228	39.46
W9, W9A, W9B, W9C, W9E, W10, W10B, W10C, W10E	BACKHOE BOOM			4.000	2.000	D42876	14.10	
					2.000	G33239	20.35	
		BACKHOE BUCKET			4.000	2.000	G32299	44.22
						2.250	D42878	18.52
		BACKHOE BUCKET			4.500	2.250	DTVS4.5P	40.31
						2.250	G105520	72.21
		BACKHOE BUCKET			4.500	1.750	D42873	20.87
						1.750	G33237	18.65
		BACKHOE BUCKET			3.500	2.000	D42874	13.70
						2.000	G33237	18.65
	BACKHOE BUCKET			3.500	2.000	G32293	39.96	
					2.250	D42877	15.10	
	BACKHOE BUCKET			4.000	2.250	G33239	20.35	
					2.250	G34636	51.03	

All manufacturer's names, part numbers and descriptions are used for reference purposes only. We do not imply that any part shown is the product of these manufacturers.

INDUSTRIAL SEAL KITS

MOBILE SEAL KITS

J.I. CASE

## WHEEL LOADER W-SERIES

## J.I. CASE

Model	Application	Serial Number	Cylinder Number	Bore	Rod	Ref. Number RJIC-	\$
	BACKHOE DIPPER				2.000	D42876	14.10
				4.000		G33239	20.35
				4.000	2.000	G32299	44.22
					2.250	D42878	18.52
				4.500		DTVS4.5P	40.31
				4.500	2.250	G105520	72.21
	BACKHOE STABILIZER				1.750	D42873	20.87
				3.500		G33237	18.65
				3.500	1.750	G105518	44.22
	BACKHOE STABILIZER			3.500	1.750	G105529	41.48
				4.000		D42876	14.10
				4.000		G33239	20.35
<b>W11, W11B</b>	BACKHOE SWING			4.000	2.000	G32299	44.22
					1.750	D42875	16.15
				4.000		G33239	20.35
	4.000			1.750	G105519	42.42	
	5.000			2.500	G32184	52.16	
	3.500			1.750	G32228	39.46	
	3.500			2.000	G109453	43.63	
	2.500			1.500	1543253C1	42.78	
3.000	1.750	1543262C1	40.31				
3.000	1.500	G109452	29.44				
<b>W14, W14L, W14H</b>	BACKHOE BOOM			4.000	2.250	G34636	51.03
				4.000	2.250	G109505	46.26
				3.250	1.750	G105528	42.53
	3.250			1.750	1543265C1	49.93	
	BACKHOE BUCKET			3.000	1.750	G109462	30.42
				3.000	1.750	1543262C1	40.31
3.500		2.000	G109454	32.39			
	BACKHOE DIPPER			3.500	2.000	G109453	43.63
				3.500	2.500	G109504	43.09
				4.000	2.500	G109424	50.96
				3.500	2.000	G109454	32.39
				3.500	2.000	G109453	43.63
				4.000	2.000	G109421	34.12
	BACKHOE DIPPER EXT.			4.000	2.000	G109421	34.12
				4.000	2.000	1543273C1	54.77
				3.000	1.500	G105512	44.43
	3.000			1.500	G109452	29.44	
	BACKHOE STABILIZER			3.500	1.750	G109470	38.23
				3.500	1.750	G109471	42.53
4.000		2.000	G109421	34.12			
	BACKHOE STABILIZER BACKHOE SWING			4.000	2.000	1543273C1	54.77
				3.500	1.500	G34652	38.92
				3.500	1.500	G109472	40.21
				4.000	2.000	G109421	34.12
				4.000	2.000	1543273C1	54.77

All manufacturer's names, part numbers and descriptions are used for reference purposes only. We do not imply that any part shown is the product of these manufacturers.

**Tel.: (780) 414-1871**  
**Fax: (780) 487-5419**

**KITS 397**

**www.sealsonline.com**

INDUSTRIAL  
SEAL KITS

MOBILE  
SEAL KITS

J.I. CASE

## J.I. CASE

## WHEEL LOADER W-SERIES

Model	Application	Serial Number	Cylinder Number	Bore	Rod	Ref. Number RJIC-	\$	
<b>W14B</b>	LOADER LIFT			4.500	2.250	G105520	72.21	
	LOADER TILT			3.000	1.750	G109462	30.42	
				3.000	1.750	1543262C1	40.31	
	LOADER CLAM			3.000	1.500	G105512	44.43	
				3.000	1.500	G109452	29.44	
	LOADER GRAPPLE			3.000	1.500	G109418	29.24	
	STEERING			2.500	1.250	G32295	29.76	
				2.500	1.250	G109475	32.96	
		LOADER LIFT			4.500	2.250	G105520	72.21
		LOADER TILT			3.500	2.000	G109453	43.63
	LOADER CLAM			3.000	1.500	G109452	29.44	
<b>W18, W20, W20B</b>	LOADER GRAPPLE			3.000	1.500	G109418	29.24	
	STEERING			2.500	1.250	G109475	32.96	
	LOADER LIFT	PRIOR-9115602		5.000	3.000	G32668	60.29	
		9115603-9123139		5.000	3.000	G109502	68.80	
		9123140-UP		5.000	2.500	G105515	60.94	
	LOADER TILT			4.000	2.000	G109421	34.12	
				4.000	2.000	1543273C1	54.77	
	LOADER CLAM			4.000	2.000	G32299	44.22	
				4.000	2.000	1543273C1	54.77	
		STEERING			3.000	1.500	G105512	44.43
<b>W18B, W20C</b>				3.000	1.500	G109452	29.44	
	LOADER LIFT	ALL		5.000	2.500	G105515	60.94	
	LOADER TILT			4.000	2.000	1543273C1	54.77	
	STEERING			3.000	1.500	G109452	29.44	
	<b>W24</b>	LOADER LIFT			5.000	3.000	G32668	60.29
		LOADER TILT			4.500	2.500	G105513	74.47
LOADER CLAM					2.000	D42876	14.10	
				4.000		G33239	20.35	
				4.000	2.000	G32299	44.22	
STEERING		PRIOR-9105108			1.500	D42870	20.32	
<b>W24B</b>				3.000		G33151	16.84	
				3.000	1.500	G105512	44.43	
	LOADER LIFT			5.000	3.000	G32668	60.29	
				5.000	3.000	G34334	74.34	
				5.000	3.000	G105531	69.74	
	LOADER TILT			4.500	2.500	G105513	74.47	
	LOADER CLAM			4.000	2.000	G32299	44.22	
				4.000	2.000	G34335	41.68	
				4.000	2.000	1543273C1	54.77	
	STEERING			3.000	1.500	G105512	44.43	
				3.000	1.500	G105548	38.76	

All manufacturer's names, part numbers and descriptions are used for reference purposes only. We do not imply that any part shown is the product of these manufacturers.

INDUSTRIAL SEAL KITS

MOBILE SEAL KITS

J.I. CASE

## WHEEL LOADER W-SERIES

J.I. CASE

Model	Application	Serial Number	Cylinder Number	Bore	Rod	Ref. Number RJIC-	\$	
<b>W24C</b>	LOADER LIFT			5.000	3.000	G105531	69.74	
	LOADER TILT			4.500	2.500	G105513	74.47	
	LOADER CLAM			4.000	2.000	1543273C1	54.77	
	STEERING			3.000	1.500	G105548	38.76	
<b>W26B, W26FL</b>	LOADER LIFT	9107499-UP		6.000	3.000	G105516	74.94	
	LOADER TILT			5.000	2.500	G32184	52.16	
				5.000	2.500	G105515	60.94	
	STEERING					2.000	D42874	13.70
					3.500		G33237	18.65
					3.500	2.000	G32293	39.96
<b>W30</b>				3.500	2.000	G105527	48.75	
	LOADER TILT			4.500	2.250	G105520	72.21	
	LOADER CLAM			4.000	2.000	1543273C1	54.77	
	STEERING			3.250	1.750	G105547	44.58	
<b>W36</b>	LOADER LIFT			6.000	3.000	G105516	74.94	
	LOADER TILT			4.500	2.250	G105520	72.21	
				4.000	2.000	G105517	44.98	
	STEERING			4.000	2.000	1543273C1	54.77	

## WHEEL LOADER 21-SERIES

<b>621</b>	LOADER CLAM	JAK0021701	S300146	4.000	2.000	S300163	22.97
		JAK0021701-UP	S301479	4.000	2.000	S301442	34.91
	LOADER LIFT	JAK0021700	G110354	5.000	3.000	1543305C1	88.28
		JAK0021701-UP	134596C1				
<b>621B</b>		JAK0021700	G110355	5.000	3.000	1543305C1	88.28
		JAK0021701-UP	134595C1				
	LOADER TILT	JAK0020286	G110312	6.000	3.000	G110526	89.67
		JAK0020286-JAK0020900	1980354C1				
		JAK0020901-UP	134552C2	6.000	3.000	G110526	89.67
	STEERING	ALL	1976862C1	3.000	1.750	G110049	38.19
<b>621B</b>	LOADER CLAM		S301431	4.000	2.000	S301442	34.91
	LOADER LIFT		1343596C1	5.000	3.000	1543305C1	88.28
			1343595C1				
	LOADER TILT, Z-BAR		134355C2	6.000	3.000	G110526	89.67
	LOADER TILT, XT LOADER		112551A1	4.500	2.250	1543279C1	56.12
<b>721</b>	STEERING - 1 PC		1976862C1	3.000	1.750	1543267C1	48.79
	LOADER CLAM		S300146	4.000	2.000	S300163	22.97
			S301479	4.000	2.000	S301442	34.91
			S301431				
	LOADER LIFT		G110354				
			1343596C1	5.000	3.000	1543305C1	88.28
			G110355				

All manufacturer's names, part numbers and descriptions are used for reference purposes only. We do not imply that any part shown is the product of these manufacturers.

Tel.: (403) 279-1871  
 Fax: (403) 279-1821

**KITS 399**

[www.sealsonline.com](http://www.sealsonline.com)

INDUSTRIAL SEAL KITS

MOBILE SEAL KITS

J.I. CASE

## J.I. CASE

## WHEEL LOADER 21-SERIES

Model	Application	Serial Number	Cylinder Number	Bore	Rod	Ref. Number RJIC-	\$
	LOADER TILT	JAK0022102-JAK0022217	134595C1 1345991C1	6.500	3.000	1543303C1	147.94
	STEERING	JAK002218-UP	1980347C4 1976862C1				
721B	LOADER CLAM		S301431	4.000	2.000	S301442	34.91
	LOADER LIFT		1343596C1	5.000	3.000	1543305C1	88.28
			1343595C1				
	LOADER TILT Z-BAR		1980347C4	6.500	3.000	1543303C1	147.94
	LOADER TILT, XT LOADER STEERING - 1 PC		112551A1 1976862C1	4.500 3.000	2.250 1.750	1543279C1 1543267C1	56.12 48.79
821	LOADER CLAM		S301000	5.000	2.500	S301013	54.77
	LOADER LIFT		1340743C3	6.000	3.000	G110526	89.67
			1986601C1	6.000	3.500	1986823C2	147.64
	LOADER TILT		1980385C3	7.000	3.500	1543309C1	154.57
	STEERING	JAK0024132 JAK0024132-UP	1994558C1 1986978C1	3.500	1.750	G110621	39.78
821B	LOADER CLAM		S301000	5.000	2.500	S301013	54.77
	LOADER LIFT		1986601C1	6.000	3.500	1986823C2	147.64
	LOADER TILT		1980386C3	7.000	3.500	1543309C1	154.57
	STEERING		1986978C1	3.500	1.750	1543266C1	49.69
921	LOADER LIFT		1986603C1	7.000	4.000	1986920C2	170.10
	LOADER TILT		1346171C3	8.000	4.000	1346357C2	221.86
	STEERING - 1 PC	1346267C1 & 1346268C1	1346169C2	4.000	2.000	1543269C1	50.10
		GLANDS 1346269C1 GLAND	1346169C2				

## J.I. CASE

## KIT LISTING

Ref. Number	Desc.	Bore	Rod	\$	Ref. Number	Desc.	Bore	Rod	\$
RJIC-105548	SEAL KIT	3.000	1.500	35.02	RJIC-1542915C2	SEAL KIT	5.000	2.500	59.54
RJIC-110507A1	SEAL KIT	2.000	1.375	52.07	RJIC-1542919C2	SEAL KIT	5.000	2.250	134.74
RJIC-110510A1	SEAL KIT	2.000	1.000	52.07	RJIC-1542923C2	SEAL KIT	3.500	2.500	63.00
RJIC-122535A1	SEAL KIT	4.000	2.000	84.42	RJIC-1543249C1	SEAL KIT	2.500	1.250	45.83
RJIC-128725A1	SEAL KIT	2.500	1.500	28.25	RJIC-1543250C1	SEAL KIT	2.500	1.250	36.43
RJIC-128728A1	SEAL KIT	2.500	1.250	23.91	RJIC-1543252C1	SEAL KIT	3.000	1.500	41.90
RJIC-131750A2	SEAL KIT	3.250	2.250	61.71	RJIC-1543253C1	SEAL KIT	2.500	1.500	42.78
RJIC-1343707C2	SEAL KIT	4.500	2.500	66.70	RJIC-1543254C1	SEAL KIT	3.500	1.500	45.89
RJIC-1346357C2	SEAL KIT	8.000	4.000	221.86	RJIC-1543256C1	SEAL KIT	3.000	1.500	39.46
RJIC-1346409C2	SEAL KIT	2.750	1.500	65.21	RJIC-1543260C1	SEAL KIT	3.250	1.750	49.93
RJIC-1346478C2	SEAL KIT	4.000	2.250	83.75	RJIC-1543261C1	SEAL KIT	3.500	1.750	45.90
RJIC-1542764C2	SEAL KIT	2.500	1.500	51.10	RJIC-1543262C1	SEAL KIT	3.000	1.750	40.31

All manufacturer's names, part numbers and descriptions are used for reference purposes only. We do not imply that any part shown is the product of these manufacturers.

## KIT LISTING

## J.I. CASE

INDUSTRIAL SEAL KITS

MOBILE SEAL KITS

J.I. CASE

Ref. Number	Desc.	Bore	Rod	\$	Ref. Number	Desc.	Bore	Rod	\$
RJIC-1543263C1	SEAL KIT	3.000	1.750	52.72	RJIC-D148100	SEAL KIT	1.500	0.750	15.53
RJIC-1543264C1	SEAL KIT	4.000	1.750	50.77	RJIC-D37360	SEAL KIT	2.500	1.500	27.89
RJIC-1543265C1	SEAL KIT	3.250	1.750	49.93	RJIC-D37361	SEAL KIT	2.000	1.500	25.51
RJIC-1543266C1	SEAL KIT	3.500	1.750	49.69	RJIC-D42867	SEAL KIT		1.250	16.30
RJIC-1543267C1	SEAL KIT	3.000	1.750	48.79	RJIC-D42869	SEAL KIT		1.500	20.47
RJIC-1543268C1	SEAL KIT	3.250	2.000	46.70	RJIC-D42870	SEAL KIT		1.500	20.32
RJIC-1543269C1	SEAL KIT	4.000	2.000	50.10	RJIC-D42871	SEAL KIT		1.500	21.75
RJIC-1543270C1	SEAL KIT	4.500	2.000	70.61	RJIC-D42872	SEAL KIT		1.750	15.21
RJIC-1543271C1	SEAL KIT	4.000	2.000	39.32	RJIC-D42873	SEAL KIT		1.750	20.87
RJIC-1543273C1	SEAL KIT	4.000	2.000	54.77	RJIC-D42874	SEAL KIT		2.000	13.70
RJIC-1543274C1	SEAL KIT	3.500	2.000	55.94	RJIC-D42875	SEAL KIT		1.750	16.15
RJIC-1543275C1	SEAL KIT	4.250	2.000	52.93	RJIC-D42876	SEAL KIT		2.000	14.10
RJIC-1543276C1	SEAL KIT	4.500	2.250	82.14	RJIC-D42877	SEAL KIT		2.250	15.10
RJIC-1543277C1	SEAL KIT	4.000	2.250	56.43	RJIC-D42878	SEAL KIT		2.250	18.52
RJIC-1543279C1	SEAL KIT	4.500	2.250	56.12	RJIC-D47651	SEAL KIT		2.000	14.41
RJIC-1543289C2	SEAL KIT	5.000	2.250	76.85	RJIC-D47896	SEAL KIT		1.500	16.40
RJIC-1543291C1	SEAL KIT	4.500	2.500	72.74	RJIC-D50279	SEAL KIT	5.000	3.000	48.59
RJIC-1543294C1	SEAL KIT	3.500	2.500	45.90	RJIC-D61006	SEAL KIT	2.000	1.000	7.66
RJIC-1543303C1	SEAL KIT	6.500	3.000	147.94	RJIC-D83184	SEAL KIT	1.500	0.750	15.53
RJIC-1543304C1	SEAL KIT	5.000	3.000	136.60	RJIC-DRVS4.5P	SEAL KIT		4.500	35.86
RJIC-1543305C1	SEAL KIT	5.000	3.000	88.28	RJIC-G101021	SEAL KIT	2.125	1.250	22.81
RJIC-1543309C1	SEAL KIT	7.000	3.500	154.57	RJIC-G102401	USE RJIC-G105545			43.92
RJIC-1543313C1	SEAL KIT	3.000	1.500	49.75	RJIC-G102402	USE RJIC-G105546			40.62
RJIC-1543378C1	SEAL KIT	3.000	1.500	67.37	RJIC-G102403	USE RJIC-G105547			38.45
RJIC-1543383C1	SEAL KIT	3.500	2.000	67.10	RJIC-G102404	USE RJIC-G105548			35.32
RJIC-158846A1	SEAL KIT	140.00	95.00	357.78	RJIC-G102405	USE RJIC-G105549			37.18
RJIC-175251A1	SEAL KIT	2.750	1.500	64.10	RJIC-G102406	USE RJIC-G105550			27.22
RJIC-179011A1	SEAL KIT	5.500	2.500	138.01	RJIC-G102407	USE RJIC-G105551			25.28
RJIC-182218A1	SEAL KIT	4.500	2.250	88.85	RJIC-G102408	SEAL KIT	4.000	1.750	44.73
RJIC-183286A1	SEAL KIT	2.500	1.250	45.46	RJIC-G102410	SEAL KIT	3.500	1.750	42.13
RJIC-191747A1	SEAL KIT	3.750	2.000	84.55	RJIC-G102411	USE RJIC-G105555			36.48
RJIC-1980161C1	SEAL KIT	3.500	2.000	51.55	RJIC-G102412	USE RJIC-G105556			50.39
RJIC-1980181C2	SEAL KIT	3.750	2.000	57.06	RJIC-G105206	SEAL KIT	2.750	1.500	44.59
RJIC-1980412C2	SEAL KIT	5.500	2.500	179.76	RJIC-G105502	SEAL KIT	3.000	1.500	37.63
RJIC-198376A2	SEAL KIT	2.500	1.750	49.75	RJIC-G105503	SEAL KIT	2.000	1.500	36.91
RJIC-1986823C2	SEAL KIT	6.000	3.500	147.64	RJIC-G105505	SEAL KIT	2.500	1.500	30.11
RJIC-1986856C2	SEAL KIT	4.500	2.000	72.38	RJIC-G105507	SEAL KIT	2.500	1.250	26.17
RJIC-1986920C2	SEAL KIT	7.000	4.000	170.10	RJIC-G105508	SEAL KIT	3.500	1.750	48.15
RJIC-1994527C2	SEAL KIT	5.500	2.750	174.77	RJIC-G105510	SEAL KIT	3.000	1.250	26.75
RJIC-2348441A1	SEAL KIT	4.250	2.250	82.08	RJIC-G105512	SEAL KIT	3.000	1.500	44.43
RJIC-234844A1	SEAL KIT	4.250	2.250	92.24	RJIC-G105513	SEAL KIT	4.500	2.500	74.47
RJIC-235933A1	SEAL KIT	3.500	1.750	30.89	RJIC-G105514	SEAL KIT	5.500	2.500	64.34
RJIC-55355C91	SEAL KIT	2.500	1.000	69.31	RJIC-G105515	SEAL KIT	5.000	2.500	60.94
RJIC-700710260	SEAL KIT	3.000	1.375	76.60	RJIC-G105516	SEAL KIT	6.000	3.000	74.94
RJIC-907001	SEAL KIT	2.000	2.000	25.37	RJIC-G105517	SEAL KIT	4.000	2.000	44.98
RJIC-A43296	SEAL KIT	2.125	1.250	21.64	RJIC-G105518	SEAL KIT	3.500	1.750	44.22
RJIC-A44644	SEAL KIT	1.500	0.750	10.31	RJIC-G105519	SEAL KIT	4.000	1.750	42.42
RJIC-D143215	SEAL KIT	4.000	2.000	29.88	RJIC-G105520	SEAL KIT	4.500	2.250	72.21

All manufacturer's names, part numbers and descriptions are used for reference purposes only. We do not imply that any part shown is the product of these manufacturers.

**Tel.: (604) 278-6808**  
**Fax: (604) 278-6180**

**KITS 401**

**www.sealsonline.com**

## J.I. CASE

## KIT LISTING

Ref. Number	Desc.	Bore	Rod	\$	Ref. Number	Desc.	Bore	Rod	\$
RJIC-G105521	SEAL KIT	3.500	2.000	42.53	RJIC-G109500	SEAL KIT	5.500	3.000	92.65
RJIC-G105523	SEAL KIT	3.000	1.750	42.53	RJIC-G109501	SEAL KIT	5.000	2.250	66.88
RJIC-G105524	SEAL KIT	3.000	1.750	48.96	RJIC-G109502	SEAL KIT	5.000	3.000	68.80
RJIC-G105525	SEAL KIT	4.500	2.000	57.83	RJIC-G109503	SEAL KIT	4.500	2.500	43.62
RJIC-G105526	SEAL KIT	4.000	2.000	46.78	RJIC-G109504	SEAL KIT	3.500	2.500	43.09
RJIC-G105527	SEAL KIT	3.500	2.000	48.75	RJIC-G109505	SEAL KIT	4.000	2.250	46.26
RJIC-G105528	SEAL KIT	3.250	1.750	42.53	RJIC-G110045	SEAL KIT	2.750	1.500	44.22
RJIC-G105529	SEAL KIT	3.500	1.750	41.48	RJIC-G110046	SEAL KIT	3.500	2.500	42.70
RJIC-G105530	SEAL KIT	5.000	2.250	72.30	RJIC-G110047	SEAL KIT	2.750	1.250	32.09
RJIC-G105531	SEAL KIT	5.000	3.000	69.74	RJIC-G110048	SEAL KIT	3.000	1.250	30.31
RJIC-G105545	SEAL KIT	4.000	2.000	49.32	RJIC-G110049	SEAL KIT	3.000	1.750	38.19
RJIC-G105546	SEAL KIT	3.500	2.000	43.63	RJIC-G110050	SEAL KIT	3.000	1.500	33.71
RJIC-G105547	SEAL KIT	3.250	1.750	44.58	RJIC-G110053	SEAL KIT	3.250	1.750	35.03
RJIC-G105548	SEAL KIT	3.000	1.500	38.76	RJIC-G110055	SEAL KIT	2.500	1.250	49.72
RJIC-G105549	SEAL KIT	3.000	1.750	49.32	RJIC-G110526	SEAL KIT	6.000	3.000	89.67
RJIC-G105550	SEAL KIT	2.500	1.500	29.08	RJIC-G110537	SEAL KIT	4.250	2.000	47.35
RJIC-G105551	SEAL KIT	2.500	1.250	32.96	RJIC-G110582	SEAL KIT	5.000	2.500	51.70
RJIC-G105552	SEAL KIT	4.000	1.750	46.45	RJIC-G110583	SEAL KIT	5.000	2.250	124.16
RJIC-G105553	SEAL KIT	3.250	2.000	48.87	RJIC-G110621	SEAL KIT	3.500	1.750	39.78
RJIC-G105555	SEAL KIT	3.500	1.500	36.48	RJIC-G32184	SEAL KIT	5.000	2.500	52.16
RJIC-G105556	SEAL KIT	4.000	2.250	50.39	RJIC-G32228	SEAL KIT	3.500	1.750	39.46
RJIC-G105557	SEAL KIT	4.500	2.250	64.90	RJIC-G32293	SEAL KIT	3.400	2.000	39.96
RJIC-G105560	SEAL KIT	4.250	2.500	48.42	RJIC-G32294	SEAL KIT	2.500	1.500	30.61
RJIC-G105561	SEAL KIT	4.000	2.250	44.22	RJIC-G32295	SEAL KIT	2.500	1.250	29.76
RJIC-G105562	SEAL KIT	5.000	2.750	72.67	RJIC-G32299	SEAL KIT	4.000	2.000	44.22
RJIC-G105563	SEAL KIT	3.500	2.500	48.83	RJIC-G32616	SEAL KIT	4.000	2.000	40.83
RJIC-G105566	SEAL KIT	5.500	2.750	103.86	RJIC-G32617	SEAL KIT	4.000	1.750	42.53
RJIC-G109417	SEAL KIT	3.250	1.750	44.58	RJIC-G32668	SEAL KIT	5.000	3.000	60.29
RJIC-G109418	SEAL KIT	3.000	1.500	29.24	RJIC-G32695	SEAL KIT	4.500	2.000	59.54
RJIC-G109421	SEAL KIT	4.000	2.000	34.12	RJIC-G32696	SEAL KIT	5.000	2.250	56.99
RJIC-G109423	SEAL KIT	4.000	2.000	49.32	RJIC-G32827	USE RJIC-G105505			30.11
RJIC-G109424	SEAL KIT	4.000	2.500	50.96	RJIC-G33141	USE RJIC-G105507			21.44
RJIC-G109452	SEAL KIT	3.000	1.500	29.44	RJIC-G33151	SEAL KIT	3.000		16.84
RJIC-G109453	SEAL KIT	3.500	2.000	43.63	RJIC-G33181	REPAACEMENT PART	4.000		11.66
RJIC-G109454	SEAL KIT	3.500	2.000	32.39	RJIC-G33193	SEAL KIT	2.500		16.42
RJIC-G109456	SEAL KIT	2.500	1.500	29.08	RJIC-G33237	SEAL KIT	3.500		18.65
RJIC-G109458	SEAL KIT	2.500	1.500	23.27	RJIC-G33239	SEAL KIT	4.000		20.35
RJIC-G109460	SEAL KIT	3.000	1.750	31.99	RJIC-G33823	SEAL KIT	5.500	2.500	54.06
RJIC-G109462	SEAL KIT	3.000	1.750	30.42	RJIC-G34172	USE RJIC-G105507			22.11
RJIC-G109465	SEAL KIT	3.250	2.000	46.22	RJIC-G34205	USE RJIC-G105510			22.11
RJIC-G109470	SEAL KIT	3.500	1.750	38.23	RJIC-G34277	USE RJIC-G109458			20.41
RJIC-G109471	SEAL KIT	3.500	1.750	42.53	RJIC-G34332	USE RJIC-G105512			37.12
RJIC-G109472	SEAL KIT	3.500	1.500	40.21	RJIC-G34333	USE RJIC-G105513			64.64
RJIC-G109475	SEAL KIT	2.500	1.250	32.96	RJIC-G34334	SEAL KIT	5.000	3.000	74.34
RJIC-G109476	SEAL KIT	2.500	1.250	31.71	RJIC-G34335	SEAL KIT	4.000	2.000	41.68
RJIC-G109484	SEAL KIT	2.500	1.500	35.58	RJIC-G34536	USE RJIC-G105514			64.34
RJIC-G109498	SEAL KIT	4.500	2.500	68.68	RJIC-G34537	USE RJIC-G105515			60.93
RJIC-G109499	SEAL KIT	5.000	2.500	80.32	RJIC-G34569	USE RJIC-G105516			74.94

All manufacturer's names, part numbers and descriptions are used for reference purposes only. We do not imply that any part shown is the product of these manufacturers.

INDUSTRIAL  
SEAL KITS

MOBILE  
SEAL KITS

J.I. CASE

## KIT LISTING

## J.I. CASE

Ref. Number	Desc.	Bore	Rod	\$	Ref. Number	Desc.	Bore	Rod	\$
RJIC-G34594	SEAL KIT	4.000	2.000	42.16	RJIC-G34656	SEAL KIT	3.000	1.500	35.73
RJIC-G34622	SEAL KIT	3.500	1.750	44.22	RJIC-G34752	USE RJIC-G105530			72.30
RJIC-G34624	SEAL KIT	3.500	1.750	42.53	RJIC-G34753	USE RJIC-G105531			69.74
RJIC-G34626	SEAL KIT	4.000	1.750	45.93	RJIC-G34807	SEAL KIT	2.500	1.000	16.37
RJIC-G34628	USE RJIC-G105520			63.27	RJIC-G34819	SEAL KIT	2.250	1.250	23.48
RJIC-G34630	USE RJIC-G105521			42.53	RJIC-G34827	SEAL KIT	4.000	2.250	51.03
RJIC-G34631	SEAL KIT	3.500	1.750	42.53	RJIC-G35374	SEAL KIT	3.000	1.000	24.94
RJIC-G34634	USE RJIC-G105523			42.53	RJIC-G35378	SEAL KIT	2.500	1.000	15.80
RJIC-G34636	SEAL KIT	4.000	2.250	51.03	RJIC-H52704	SEAL KIT	2.000	1.000	15.95
RJIC-G34642	USE RJIC-G105524			42.53	RJIC-H53041	SEAL KIT		3.750	21.68
RJIC-G34643	SEAL KIT	3.000	1.750	39.12	RJIC-N14638	SEAL KIT	2.000	1.000	33.71
RJIC-G34644	USE RJIC-G105525			57.83	RJIC-N14639	SEAL KIT	2.000	1.250	41.35
RJIC-G34646	SEAL KIT	3.500	1.500	38.28	RJIC-S300163	SEAL KIT	4.000	2.000	22.97
RJIC-G34647	USE RJIC-G105526			46.78	RJIC-S301013	SEAL KIT	5.000	2.500	54.77
RJIC-G34648	SEAL KIT	3.500	2.000	45.09	RJIC-S301442	SEAL KIT	4.000	2.000	34.91
RJIC-G34651	USE RJIC-G105527			42.53	RJIC-S92713	SEAL KIT	5.000	2.500	50.82
RJIC-G34652	SEAL KIT	3.500	1.500	38.92	RJIC-S92714	SEAL KIT	5.500	2.500	54.23
RJIC-G34653	USE RJIC-G105528			33.65	RJIC-S92724	SEAL KIT	5.500	2.750	72.01
RJIC-G34655	SEAL KIT	3.500	1.750	39.96					

INDUSTRIAL  
SEAL KITS

MOBILE  
SEAL KITS



J.I. CASE

All manufacturer's names, part numbers and descriptions are used for reference purposes only. We do not imply that any part shown is the product of these manufacturers.

**Tel.: (418) 688-3202**  
**Fax: (418) 688-4272**

**KITS 403**

[www.sealsonline.com](http://www.sealsonline.com)



**INDUSTRIAL  
SEAL KITS**











**MOBILE  
SEAL KITS**

**JOHN DEERE**



All manufacturer's names, part numbers and descriptions are used for reference purposes only. We do not imply that any part shown is the product of these manufacturers.

## JOHN DEERE INDEX FOR SEAL KITS

	<b>BULLDOZER/CRAWLER LOADER</b>							<b>KITS 406</b>
	350	355D	450D	450G	550B	555B	655B	
	350B	450	450E	455G	550G	555G	850	
	350C	450B	455D	550	555	650G	850B	
	350D	450C	455E	550A	555A	655		
	<b>WHEEL LOADER</b>						<b>KITS 415</b>	
	300	400	401A					
	<b>LOADER BACKHOE</b>							<b>KITS 416</b>
	300B	310B	401D	410D	500C	510D	710B	
	302	310C	410	415B	510	515B	710C	
	310	310D	410B	500A	510B	610B	710D	
	310A	401C	410C	500B	510C	610C		
	<b>ARTICULATED LOADER</b>							<b>KITS 427</b>
	344E	444D	544B	544E LL	544HLL	644A	644E	844
	444	444E	544C	544E TC	624E	644B	644ER	TC54H
	444C	544	544D	544G	624G	644C	644G	
	444CH	544A	544E	544H	644	644D	744E	
	<b>GRADER</b>						<b>KITS 432</b>	
	570	570B	670A	672A	770	770B	772B	
	570A	670	670B	672B	770A	772A		
	<b>SCRAPER</b>						<b>KITS 433</b>	
	760	762	762B	860A	862	5010		
	760A	762A	860	860B	862B			
	<b>COMPACTOR</b>						<b>KITS 434</b>	
	646	646B	646C					
	<b>CRAWLER EXCAVATOR</b>							<b>KITS 434</b>
	70	160 LC	330 LC	495D	690C	790D	792D LC	992E
	70D	190E	370	590D	690 CH	790E	892D LC	992E LC
	80	200 LC	450LC	690	690B	790E LC	892E LC	
	110	230 LC	490D	690A	690E LC	792	992D	
120	290D	490E	690B	790	792D	992D LC		
	<b>FELLER-BUNCHER</b>						<b>KITS 441</b>	
	493D	653E	693B	693C	693D	743	743A	793D
	<b>SKIDDER</b>						<b>KITS 442</b>	
	340D	440B	448	540D	640D	740A		
	440	440C	540A	548D	648	3605		
	440A	440D	540B	640	740			
<b>JOHN DEERE KIT LISTING</b>							<b>KITS 445</b>	

INDUSTRIAL  
SEAL KITS

MOBILE  
SEAL KITS

JOHN DEERE

All manufacturer's names, part numbers and descriptions are used for reference purposes only. We do not imply that any part shown is the product of these manufacturers.

Tel.: (514) 334-2220  
Fax: (514) 333-8329

**KITS 405**

[www.sealsonline.com](http://www.sealsonline.com)

## JOHN DEERE

## BULLDOZER/CRAWLER LOADERS

Model	Application	Serial Number	Cylinder Group	Arrangement	Bore	Rod	I	Ref. Number RJD-	\$
							M		
<b>350, 350B</b>	BACKHOE BOOM	PRIOR-8249		9250	4.000	2.000	I	AR105387	44.05
		8250-UP		9250, 9550	4.000	2.000	I	RE18732	45.40
		PRIOR-700717		9300	4.500	2.250	I	AR105355	69.88
		700718-UP		9300	4.500	2.250	I	RE18764	111.77
		ALL		93, 93A, 95, 95A	4.500	2.250	I	RE10640	52.35
	BACKHOE BUCKET	ALL		9250, 9550	3.000	1.750	I	RE18751	35.85
		PRIOR-700717		93, 93A, 95, 95A, 9300	3.500	2.250	I	RE18757	51.39
	BACKHOE CROWD	700718-UP		9300	3.500	2.250	I	RE18758	97.94
		ALL		9250, 9550	3.500	1.750	I	RE18755	38.45
	BACKHOE CROWD	PRIOR-700717		93, 93A, 95,	4.000	2.000	I	AR105387	44.05
	BACKHOE STABILIZER	700718-UP		95A, 9300	4.000	2.000	I	RE18741	95.76
		ALL		9300	4.000	2.000	I	RE18741	95.76
				93, 93A,	3.500	1.750	I	RE18754	47.70
				9250, 9550					
				9300 ONLY	4.000	2.000	I	AR105387	44.05
	BACKHOE SWING	PRIOR-8249		95, 95A	3.000	1.750	I	RE18751	35.85
		8250-UP		9250	4.000	2.000	I	AR105393	55.66
		PRIOR-39796		9250	4.000	2.000	I	RE18732	45.40
	BACKHOE SWING	PRIOR-39796		9550	3.500	1.750	I	RE18756	47.46
		with T60873 piston							
	DOZER LIFT	39797-UP		9550	3.500	1.750	I	RE18756	47.46
	DOZER LIFT	YR. 1968-UP			3.000	1.250	I	AR105454	37.49
	DOZER TILT	59100-UP		6305	2.500	1.250	I	AR105453	34.92
		DOZER ANGLE		6305 ONLY	3.000	1.250	I	AR105454	37.49
		GRAPPLE			2.500	1.500	I	RE19217	29.49
		LOADER BOOM LIFT			350	4.000	2.000	I	AR105387
	LOADER BOOM LIFT	ALL		350B	3.750	2.000	I	AR105381	42.50
				350	2.750	1.500	I	AR105430	32.66
	LOADER BUCKET TILT	ALL		350B	2.750	1.500	I	RE19222	35.08
	MULTI-PURPOSE	ALL			3.000	1.750	I	RE18751	35.85
		RIPPER		59100-UP	2.500	1.250	I	AR105453	34.92
		3 POINT HITCH		ALL	2.500	1.250	I	AR105453	34.92
<b>350C</b>	BACKHOE BOOM			93, 93A	4.500	2.250	I	RE10640	52.35
				9250, 9550	4.000	2.000	I	RE18732	45.40
		PRIOR-700422		9300	4.500	2.250	I	AR105355	69.88
	BACKHOE BUCKET	700423-UP		9300	4.500	2.250	I	RE18764	111.77
		ALL		9250, 9550	3.000	1.750	I	RE18751	35.85
		PRIOR-700422		93, 93A, 9300	3.500	2.250	I	RE18757	51.39
	BACKHOE BUCKET	700423-UP		9300	3.500	2.250	I	RE18758	97.94
		ALL		9250, 9550	3.500	1.750	I	RE18755	38.45
	BACKHOE CROWD	PRIOR-700422		93, 93A, 9300	4.000	2.000	I	AR105387	44.05
		700423-UP		9300	4.000	2.000	I	RE18741	95.76
BACKHOE STABILIZER	ALL		93, 93A,	3.500	1.750	I	RE18754	47.70	
				9250, 9550					

All manufacturer's names, part numbers and descriptions are used for reference purposes only. We do not imply that any part shown is the product of these manufacturers.

INDUSTRIAL SEAL KITS

MOBILE SEAL KITS

JOHN DEERE

## BULLDOZER/CRAWLER LOADERS

## JOHN DEERE

INDUSTRIAL SEAL KITS

MOBILE SEAL KITS

JOHN DEERE

Model	Application	Serial Number	Cylinder Group	Arrangement	Bore	Rod	I	Ref. Number RJD-	\$
							M		
	BACKHOE SWING	ALL		9300	4.000	2.000	I	AR105387	44.05
		PRIOR-39796		9250	4.000	2.000	I	RE18732	45.40
		with T60873 piston		9550	3.500	1.750	I	RE18756	47.46
		39797-UP			3.500	1.750	I	RE18756	47.46
	DOZER LIFT	ALL			3.000	1.250	I	AR105454	37.49
	DOZER TILT	ALL		6305	2.500	1.250	I	AR105453	34.92
	DOZER ANGLE	ALL		6305	3.000	1.250	I	AR105454	37.49
	GRAPPLE	ALL			2.500	1.500	I	RE19217	29.49
	LOADER BOOM LIFT	ALL			3.750	2.000	I	AR105381	42.50
	LOADER BUCKET TILT	ALL			2.750	1.500	I	RE19222	35.08
MULTI-PURPOSE	ALL			3.000	1.750	I	RE18751	35.85	
<b>350D, 355D</b>	RIPPER	ALL			2.500	1.250	I	AR105453	34.92
	3 POINT HITCH	ALL			2.500	1.250	I	AR105453	34.92
	BACKHOE BOOM	PRIOR-700717		9300	4.500	2.250	I	AR105355	69.88
		700718-UP		9300	4.500	2.250	I	RE18764	111.77
		ALL		9550	4.000	2.000	I	RE18732	45.40
	BACKHOE BUCKET	PRIOR-700717		9300	3.500	2.250	I	RE18757	51.39
		700718-UP		9300	3.500	2.250	I	RE18758	97.94
		ALL		9550	3.000	1.750	I	RE18751	35.85
	BACKHOE CROWD	PRIOR-700717		9300	4.000	2.000	I	AR105387	44.05
		700718-UP		9300	4.000	2.000	I	RE18741	95.76
ALL			9550	3.500	1.750	I	RE18755	38.45	
	BACKHOE STABILIZER	ALL		9300	4.000	2.000	I	AR105387	44.05
				9550	3.500	1.750	I	RE18754	47.70
	BACKHOE SWING	ALL		9550	3.500	1.750	I	RE18756	47.46
	DOZER LIFT	ALL			3.000	1.250	I	AR105454	37.49
	DOZER TILT	ALL			2.500	1.250	I	AR105453	34.92
	DOZER ANGLE	ALL		6305	3.000	1.250	I	AR105454	37.49
	LOADER BOOM LIFT	ALL			3.750	2.000	I	AR105381	42.50
	LOADER BUCKET TILT	ALL			2.750	1.500	I	RE19222	35.08
	MULTI-PURPOSE	ALL			3.000	1.750	I	RE18751	35.85
	3 POINT HITCH	ALL			2.500	1.250	I	AR105453	34.92
<b>450, 450B</b>	BACKHOE BOOM	ALL		93, 93A, 95, 95A	4.500	2.250	I	RE10640	52.35
		PRIOR-8249		9250	4.000	2.000	I	AR105387	44.05
		8250-UP		9250, 9550	4.000	2.000	I	RE18732	45.40
	BACKHOE BUCKET	PRIOR-700717		9300	4.500	2.250	I	AR105355	69.88
		700718-UP		9300	4.500	2.250	I	RE18764	111.77
		ALL		9250, 9550	3.000	1.750	I	RE18751	35.85
	BACKHOE CROWD	PRIOR-700717		93, 93A, 95, 95A, 9300	3.500	2.250	I	RE18757	51.39
		700718-UP		9300	3.500	2.250	I	RE18758	97.94
		ALL		9250, 9550	3.500	1.750	I	RE18755	38.45
		PRIOR-700717		93, 93A, 95,	4.000	2.000	I	AR105387	44.05

All manufacturer's names, part numbers and descriptions are used for reference purposes only. We do not imply that any part shown is the product of these manufacturers.

## JOHN DEERE

## BULLDOZER/CRAWLER LOADERS

Model	Application	Serial Number	Cylinder Group	Arrangement	Bore	Rod	I	Ref. Number RJD-	\$	
							M			
450C	BACKHOE STABILIZER	700718-UP		95A, 9300						
		ALL		9300	4.000	2.000	I	RE18741	95.76	
				93, 93A,	3.500	1.750	I	RE18754	47.70	
				9250, 9550						
				95, 95A	3.000	1.750	I	RE18751	35.85	
	BACKHOE SWING	PRIOR-8249		9250	4.000	2.000	I	AR105393	55.66	
		8250-UP		9250	4.000	2.000	I	RE18732	45.40	
		PRIOR-39796 With T60873 Piston		9550	3.500	1.750	I	RE18756	47.46	
	DOZER LIFT	39797-UP		9550	3.500	1.750	I	RE18756	47.46	
	DOZER TILT	ALL			3.500	1.500	I	AR105432	37.32	
	DOZER TILT	all with vee set on piston		6405	3.500	1.500	I	AR105432	37.32	
	DOZER TILT	all with 4 piece piston seal		6415	4.500	2.250	I	AR105355	69.88	
	DOZER ANGLE	ALL		6415	4.500		I	RE14094	80.28	
	GRAPPLE	ALL		6415		2.250	I	RE14208	37.11	
	GRAPPLE CLAMP	ALL		6405	3.500	1.500	I	AR105432	37.32	
MULTI-PURPOSE	ALL			3.500	1.750	I	RE18754	47.70		
LOADER BOOM LIFT	ALL			5.250	2.250	I	AR105346	59.20		
LOADER BUCKET TILT	ALL		450	4.500	2.250	I	AR105387	44.05		
			450B	4.250	2.250	I	RE10640	52.35		
			450	3.500	2.000	I	RE18739	56.57		
						I	AR105392	38.55		
	RIPPER	ALL 59100-UP		450B	3.500	2.000	I	AR18748		
					2.500	1.250	I	AR105453	34.92	
	BACKHOE BOOM	ALL		93, 93A, 95, 95A	4.500	2.250	I	RE10640	52.35	
				9250, 9550	4.000	2.000	I	RE18732	45.40	
	BACKHOE BUCKET	PRIOR-700385		9300	4.500	2.250	I	AR105355	69.88	
		700386-UP		9300	4.500	2.250	I	RE18764	111.77	
		ALL		9250, 9550	3.000	1.750	I	RE18751	35.85	
		PRIOR-700385		93, 93A, 95, 95A, 9300	3.500	2.250	I	RE18757	51.39	
		700386-UP		9300	3.500	2.250	I	RE18758	97.94	
	BACKHOE CROWD	ALL PRIOR-700385		9250, 9550	3.500	1.750	I	RE18755	38.45	
				93, 93A, 95, 95A, 9300	4.000	2.000	I	AR105387	44.05	
	BACKHOE STABILIZER	700386-UP ALL		9300	4.000	2.000	I	RE18741	95.76	
				93, 93A, 9250, 9550	3.500	1.750	I	RE18754	47.70	
				95, 95A	3.000	1.750	I	RE18751	35.85	
	BACKHOE SWING	ALL		9300	4.000	2.000	I	AR105387	44.05	
		PRIOR-39796		9250	4.000	2.000	I	RE18732	45.40	
		with T60873 piston		9550	3.500	1.750	I	RE18756	47.46	
		39797-UP		9550	3.500	1.750	I	RE18756	47.46	

All manufacturer's names, part numbers and descriptions are used for reference purposes only. We do not imply that any part shown is the product of these manufacturers.

INDUSTRIAL SEAL KITS

MOBILE SEAL KITS

JOHN DEERE

## BULLDOZER/CRAWLER LOADERS

## JOHN DEERE

INDUSTRIAL SEAL KITS

MOBILE SEAL KITS

JOHN DEERE

Model	Application	Serial Number	Cylinder Group	Arrangement	Bore	Rod	I	Ref. Number RJD-	\$	
							M			
	DOZER LIFT	ALL			3.500	1.500	I	AR105432	37.32	
	DOZER TILT	ALL		6405	3.500	1.500	I	AR105432	37.32	
					6415	4.500	2.250	I	AR105355	69.88
		field replacement check piston style			6415	4.500		I	RE14094	80.28
					6415		2.250	I	RE14208	37.11
	DOZER ANGLE	ALL		6405	3.500	1.500	I	AR105432	37.32	
	GRAPPLE	ALL			3.500	1.750	I	RE18754	47.70	
	GRAPPLE CLAMP	ALL			5.250	2.250	I	AR105346	59.20	
	LOADER BOOM LIFT	ALL			4.250	2.250	I	RE18739	56.57	
	LOADER BUCKET TILT	PRIOR-205020			3.500	2.000	I	RE18748	45.98	
	205021-UP			3.500	1.750	I	RE18754	47.70		
<b>450D, 450E, 455D, 455E</b>	MULTI-PURPOSE	ALL			4.000	2.000	I	AR105387	44.05	
	RIPPER	ALL			2.500	1.250	I	AR105453	34.92	
	BACKHOE BOOM	PRIOR-700717		9300	4.500	2.250	I	AR105355	69.88	
		700718-UP		9300	4.500	2.250	I	RE18764	111.77	
		ALL		9550	4.000	2.000	I	RE18732	45.40	
	BACKHOE BUCKET	PRIOR-700717		9300	3.500	2.250	I	RE18757	51.39	
		700718-UP		9300	3.500	2.250	I	RE18758	97.94	
		ALL		9550	3.000	1.750	I	RE18751	35.85	
	BACKHOE CROWD	PRIOR-700717		9300	4.000	2.000	I	AR105387	44.05	
		700718-UP		9300	4.000	2.000	I	RE18741	95.76	
	ALL		9550	3.500	1.750	I	RE18755	38.45		
BACKHOE STABILIZER	ALL		9300	4.000	2.000	I	AR105387	44.05		
			9550	3.500	1.750	I	RE18754	47.70		
BACKHOE SWING	ALL		9550	3.500	1.750	I	RE18756	47.46		
DOZER ANGLE	ALL		6405	3.500	1.500	I	AR105432	37.32		
DOZER LIFT	ALL			3.500	1.500	I	AR105432	37.32		
DOZER TILT	ALL			3.500	1.500	I	AR105432	37.32		
	PRIOR-712333		6415	4.500	2.250	I	AR105355	69.88		
	712334-UP		6415	4.500		I	RE14094	80.28		
			6415		2.250	I	RE14208	37.11		
<b>450G Bulldozer</b>	GRAPPLE CLAMP	ALL			5.250	2.250	I	AR105346	59.20	
	LOADER BOOM LIFT	ALL			4.250	2.250	I	RE18739	56.57	
	LOADER BUCKET TILT	ALL			3.500	1.750	I	RE18754	47.70	
	MULTI-PURPOSE	ALL			4.000	2.000	I	AR105387	44.05	
	DOZER ANGLE	PRIOR-822210	AH137775		70.00		M	RE20428	41.53	
						40.00	M	RE20433	56.00	
		PRIOR-846913	AH149949		70.00		M	RE20428	41.53	
						40.00	M	AH149194	48.59	
		ALL	AH161764		70.00		M	RE37004	10.33	
						40.00	M	AH149194	48.59	

All manufacturer's names, part numbers and descriptions are used for reference purposes only. We do not imply that any part shown is the product of these manufacturers.

**Tel.: (204) 783-9617**  
**Fax: (204) 783-6091**

**KITS 409**

[www.sealsonline.com](http://www.sealsonline.com)

## JOHN DEERE

## BULLDOZER/CRAWLER LOADERS

Model	Application	Serial Number	Cylinder Group	Arrangement	Bore	Rod	I	Ref. Number RJD-	\$						
							M								
	DOZER ANGLE (WT)	PRIOR-822211	AH137776		80.00	45.00	M	AH149842	65.84						
		PRIOR-846912	AH149950				M	RE20434	56.33						
		846913-UP	AH161770				M	AH149842	65.84						
			M				AH149813	58.22							
			M				RE37003	14.71							
			M				AH149813	58.22							
	DOZER LIFT	PRIOR-790250	AH150067		80.00	40.00	M	AH149842	65.84						
		PRIOR-846999	AH150067				M	RE20433	56.00						
		PRIOR-822042	RE28350				M	AH149842	65.84						
							M	AH149194	48.59						
							M	AH149842	65.84						
							M	RE20433	56.00						
	DOZER LIFT (WT & LPG)	846843-UP	AH161762		80.00	40.00	M	RE37003	14.71						
		PRIOR-846842	AH150066				M	AH149194	48.59						
		790251-822042	AH143026				M	AH149842	65.84						
							M	AH149194	48.59						
							M	AH149842	65.84						
							M	RE20433	56.00						
	RIPPER TILT	847000-UP	AH161767		80.00	40.00	M	RE37003	14.71						
							59100-UP	AU41772	2.500	1.250	I	AR105453	34.92		
											PRIOR-822042	RE35814	90.00	45.00	M
							M	RE20434	56.33						
							M	AH149843	65.31						
							M	AH149843	65.31						
		ALL	AH161772		90.00	45.00	M	AH149813	58.22						
							M	AH134955	13.70						
							M	AH149813	58.22						
455G	BUCKET CLAM	PRIOR-822210	RE25702		100.00	50.00	M	AH149844	82.44						
		ALL	AH148714				100.00	50.00	M	RE20595	49.77				
	M					AH149844			82.44						
	M					AH148164			41.96						
	M					AH149844			82.44						
	LOADER BOOM	PRIOR-823917	AH134483			100.00	50.00	M	RE20595	49.77					
		PRIOR-760572	760573-823917					ALL	AH150117	100.00	56.00	M	RE31716	68.18	
	LOADER BUCKET	PRIOR-802210				RE28353	90.00					50.00	M	AH149844	82.44
													M	AH149814	53.15
													M	AH149843	65.31
													M	RE20595	49.77
	MULTI-PURPOSE	PRIOR-802210				RE28353	90.00					50.00	M	AH149843	65.31
M			AH148164	41.96											
M			AH149843	65.31											
M			RE20595	49.77											
RIPPER	59100-UP	AU41772	2.500	1.250	I	AR105453	34.92								

All manufacturer's names, part numbers and descriptions are used for reference purposes only. We do not imply that any part shown is the product of these manufacturers.

INDUSTRIAL  
SEAL KITS

MOBILE  
SEAL KITS

JOHN DEERE

## BULLDOZER/CRAWLER LOADERS

## JOHN DEERE

INDUSTRIAL  
SEAL KITS

MOBILE  
SEAL KITS

JOHN DEERE

Model	Application	Serial Number	Cylinder Group	Arrangement	Bore	Rod	I	Ref. Number RJD-	\$
							M		
550	BACKHOE BOOM	PRIOR-700717		9300	4.500	2.250	I	AR105355	69.88
		700718-UP		9300	4.500	2.250	I	RE18764	111.77
		ALL		9550	4.000	2.000	I	RE18732	45.40
	BACKHOE BUCKET	PRIOR-700717		9300	3.500	2.250	I	RE18757	51.39
		700718-UP		9300	3.500	2.250	I	RE18758	97.94
		ALL		9550	3.000	1.750	I	RE18751	35.85
	BACKHOE CROWD	PRIOR-700717		9300	4.000	2.000	I	AR105387	44.05
		700718-UP		9300	4.000	2.000	I	RE18741	95.76
		ALL		9550	3.500	1.750	I	RE18755	38.45
	BACKHOE STABILIZER	ALL		9300	4.000	2.000	I	AR105387	44.05
				9550	3.500	1.750	I	RE18754	47.70
	BACKHOE SWING	PRIOR-39796		9550	3.500	1.750	I	RE18756	47.46
	DOZER ANGLE	with T60873 piston 39797-UP		9550	3.500	1.750	I	RE18756	47.46
		ALL		6405	3.500	1.500	I	AR105432	37.32
		ALL			3.500	1.500	I	AR105432	37.32
	DOZER LIFT	ALL		6405	3.500	1.500	I	AR105432	37.32
		ALL		6415	4.500	2.250	I	AR105355	69.88
	DOZER TILT	field replacement check piston syle		6415	4.500		I	RE14094	80.28
RIPPER	ALL		6415		2.250	I	RE14208	37.11	
				2.500	1.250	I	AR105453	34.92	
550A, 550B	BACKHOE BOOM	PRIOR-700717		9300	4.500	2.250	I	AR105355	69.88
		700718-UP		9300	4.500	2.250	I	RE18764	111.77
		ALL		9550	4.000	2.000	I	RE18732	45.40
	BACKHOE BUCKET	PRIOR-700717		9300	3.500	2.250	I	RE18757	51.39
		700718-UP		9300	3.500	2.250	I	RE18758	97.94
		ALL		9550	3.000	1.750	I	RE18751	35.85
	BACKHOE CROWD	PRIOR-700717		9300	4.000	2.000	I	AR105387	44.05
		700718-UP		9300	4.000	2.000	I	RE18741	95.76
		ALL		9550	3.500	1.750	I	RE18755	38.45
	BACKHOE STABILIZER	ALL		9300	4.000	2.000	I	AR105387	44.05
				9550	3.500	1.750	I	RE18754	47.70
	BACKHOE SWING	ALL		9550	3.500	1.750	I	RE18756	47.46
	DOZER ANGLE	ALL		6405	3.500	1.500	I	AR105432	37.32
		ALL			3.500	1.500	I	AR105432	37.32
	DOZER LIFT	ALL		6405	3.500	1.500	I	AR105432	37.32
		PRIOR-712333		6415	4.500	2.250	I	AR105355	69.88
	DOZER TILT	712334-UP		6415	4.500		I	RE14094	80.28
				6415		2.250	I	RE14208	37.11
550G	DOZER ANGLE	PRIOR-822211	AH137776		80.00		M	AH149842	65.84
						45.00	M	RE20434	56.33
		PRIOR-846912	AH149950		80.00		M	AH149842	65.84
						45.00	M	AH149813	58.22
		846913-UP	AH161770		80.00		M	RE37003	14.71
					45.00	M	AH149813	58.22	

All manufacturer's names, part numbers and descriptions are used for reference purposes only. We do not imply that any part shown is the product of these manufacturers.

Tel.: (780) 414-1871  
Fax: (780) 487-5419

**KITS 411**

[www.sealsonline.com](http://www.sealsonline.com)



## JOHN DEERE

## BULLDOZER/CRAWLER LOADERS

Model	Application	Serial Number	Cylinder Group	Arrangement	Bore	Rod	I	Ref. Number RJD-	\$		
							M				
	DOZER LIFT	PRIOR-790250	AH150067		80.00		M	AH149842	65.84		
						40.00	M	RE20433	56.00		
		PRIOR-846999	AH150067		80.00		M	AH149842	65.84		
						40.00	M	AH149194	48.59		
		846843-UP	AH161762		80.00		M	RE37003	14.71		
						40.00	M	AH149194	48.59		
				PRIOR-846842	AH150066		80.00		M	AH149842	65.84
							40.00	M	AH149194	48.59	
				790251-822042	AH143026		80.00		M	AH149842	65.84
							40.00	M	RE20433	56.00	
		847000-UP	AH161767		80.00		M	RE37003	14.71		
					40.00	M	AH149194	48.59			
	TILT	PRIOR-822042	RE35814		90.00		M	AH149843	65.31		
						45.00	M	RE20434	56.33		
		PRIOR-846913	AH151379		90.00		M	AH149843	65.31		
						45.00	M	AH149813	58.22		
		ALL	AH161772		90.00		M	AH134955	13.70		
						45.00	M	AH149813	58.22		
<b>555</b>	BACKHOE BOOM	PRIOR-700717		9300	4.500	2.250	I	AR105355	69.88		
		700718-UP		9300	4.500	2.250	I	RE18764	111.77		
	BACKHOE BUCKET	PRIOR-700717		9300	3.500	2.250	I	RE18757	51.39		
		700718-UP		9300	3.500	2.250	I	RE18758	97.94		
	BACKHOE CROWD	PRIOR-700717		9300	4.000	2.000	I	AR105387	44.05		
		700718-UP		9300	4.000	2.000	I	RE18741	95.76		
	BACKHOE STABILIZER	ALL			4.000	2.000	I	AR105387	44.05		
	GRAPPLE	ALL			3.500	1.750	I	RE18754	47.70		
	GRAPPLE CLAMP	ALL			5.250	2.250	I	AR105346	59.20		
	LOADER BOOM LIFT	PRIOR-294037			4.250	2.250	I	AH139418	50.27		
		294038-UP			4.250	2.250	I	RE18739	56.57		
	LOADER BUCKET TILT	ALL			3.500	1.750	I	RE18754	47.70		
	MULTI-PURPOSE	ALL			4.000	2.000	I	AR105387	44.05		
	RIPPER	ALL			2.500	1.250	I	AR105453	34.92		
<b>555A, 555B</b>	BACKHOE BOOM	PRIOR-700717		9300	4.500	2.250	I	AR105355	69.88		
		700718-UP		9300	4.500	2.250	I	RE18764	111.77		
	BACKHOE BUCKET	PRIOR-700717		9300	3.500	2.250	I	RE18757	51.39		
		700718-UP		9300	3.500	2.250	I	RE18758	97.94		
	BACKHOE CROWD	PRIOR-700717		9300	4.000	2.000	I	AR105387	44.05		
		700718-UP		9300	4.000	2.000	I	RE18741	95.76		
	BACKHOE STABILIZER	ALL			4.000	2.000	I	AR105387	44.05		
	GRAPPLE CLAMP	ALL			5.250	2.250	I	AR105346	59.20		
	LOADER BOOM LIFT	ALL			4.250	2.250	I	RE18739	56.57		
	LOADER BUCKET TILT	ALL			3.500	1.750	I	RE18754	47.70		
MULTI-PURPOSE	ALL			4.000	2.000	I	AR105387	44.05			

All manufacturer's names, part numbers and descriptions are used for reference purposes only. We do not imply that any part shown is the product of these manufacturers.

INDUSTRIAL SEAL KITS

MOBILE SEAL KITS

JOHN DEERE

## BULLDOZER/CRAWLER LOADERS

## JOHN DEERE

INDUSTRIAL SEAL KITS

MOBILE SEAL KITS

JOHN DEERE

Model	Application	Serial Number	Cylinder Group	Arrangement	Bore	Rod	I	Ref. Number RJD-	\$	
							M			
555G	BUCKET CLAM	PRIOR-822210	RE25702		100.00		M	AH149844	82.44	
		ALL	AH148714		100.00	50.00	M	RE20595	49.77	
	LOADER BOOM	PRIOR-823917	RE26632		115.00	50.00	M	AH149844	82.44	
		ALL	AH150111		115.00	63.00	M	AH148164	41.96	
	LOADER BUCKET	PRIOR-818179	RE26633		100.00	63.00	M	AH149846	116.25	
		ALL	AH148715		100.00	63.00	M	AH149844	82.44	
					100.00	50.00	M	AH148164	41.96	
					100.00	50.00	M	AH149844	82.44	
	650G	DOZER ANGLE	PRIOR-822211	AH137776		80.00		M	AH149842	65.84
			PRIOR-846912	AH149950		80.00	45.00	M	RE20434	56.33
846913-UP			AH161770		80.00	45.00	M	AH149842	65.84	
					80.00	45.00	M	AH149813	58.22	
DOZER LIFT		PRIOR-790250	AH150067		80.00	45.00	M	RE37003	14.71	
		PRIOR-846999	AH150067		80.00	45.00	M	AH149813	58.22	
		846843-UP	AH161762		80.00	40.00	M	AH149842	65.84	
			PRIOR-846842	AH150066		80.00	40.00	M	AH149842	65.84
			790251-822042	AH143026		80.00	40.00	M	AH149194	48.59
			847000-UP	AH161767		80.00	40.00	M	AH149842	65.84
					80.00	40.00	M	RE20433	56.00	
TILT	PRIOR-822042	RE35808		100.00	40.00	M	RE37003	14.71		
	ALL	AH149951		100.00	40.00	M	AH149194	48.59		
	ALL	AH161766		100.00	50.00	M	AH149844	82.44		
				100.00	50.00	M	RE20595	49.77		
655	LOADER BOOM LIFT	ALL			5.500	3.750	I	RE18763	86.44	
	LOADER BUCKET TILT	ALL			4.500	2.250	I	AR105355	69.88	
		field replacement check piston style			4.500		I	RE14094	80.28	
	MULTI-PURPOSE	ALL			4.000	2.250	I	RE14208	37.11	
		all with RE22315 cylinder number			5.500	2.000	I	AR105387	44.05	
	TRACK ADJUSTER	ALL			5.500	2.500	I	RE14102	120.86	
				3.000	3.750	I	RE17345	45.48		
							905001	55.19		

All manufacturer's names, part numbers and descriptions are used for reference purposes only. We do not imply that any part shown is the product of these manufacturers.

**Tel.: (403) 279-1871**  
**Fax: (403) 279-1821**

**KITS 413**

[www.sealsonline.com](http://www.sealsonline.com)

## JOHN DEERE

## BULLDOZER/CRAWLER LOADERS

Model	Application	Serial Number	Cylinder Group	Arrangement	Bore	Rod	I	Ref. Number RJD-	\$	
							M			
655B	LOADER BOOM LIFT	ALL			5.500		I	RE15907	120.86	
						3.750	I	RE31528	71.57	
	LOADER BUCKET TILT	ALL			4.500		I	RE14094	80.28	
							2.250	I	RE14208	37.11
	MULTI-PURPOSE	ALL			5.500		I	RE14102	120.86	
						2.500	I	RE17345	45.48	
	TRACK ADJUSTER	ALL			3.000	3.750	I	905001	55.19	
850	DOZER LIFT	PRIOR-307525	AT52374		4.250	2.500	I	RE18731	81.11	
		ALL	AR105285		4.250	2.500	I	RE18731	81.11	
	DOZER LIFT (LGP)	ALL	RE17462		4.250		I	RE17485	76.05	
						2.500	I	AH142440	43.23	
	DOZER TILT	ALL	RE17350		5.500		I	RE17351	120.86	
						2.500	I	RE17345	45.48	
			ALL	AR105289		5.500	2.500	I	AR105275	46.65
	DOZER TILT (LGP) (LT)	PRIOR-318357	AT52367		6.250	2.750	I	RE18744	138.23	
		PRIOR-705569	AR89587		6.250	2.750	I	RE18744	138.23	
		ALL	RE17349		6.250		I	RE14104	124.40	
		ALL	RE16538		6.250	2.750	I	RE18744	138.23	
850B	DOZER LIFT	ALL	RE17459		4.250		I	RE17458	81.84	
						2.500	I	AH142440	43.23	
	DOZER LIFT (LT)	779602-UP	AH136158		100.00		M	AH137687	69.03	
						56.00	M	RE31716	68.18	
	DOZER LIFT (LGP) (LT)	ALL	RE17462		4.250		I	RE17458	81.84	
			RE35226			2.500	I	AH142440	43.23	
	DOZER TILT	ALL	RE17350		5.500		I	RE17351	120.86	
						2.500	I	RE17345	45.48	
		ALL	AH145297		180.00		M	AH137211	125.40	
						80.00	M	RE25152	138.43	
DOZER TILT (STD) (LGP) (LT)	ALL	RE17349		6.250		I	RE14104	124.40		
						2.750	I	RE17342	61.93	

All manufacturer's names, part numbers and descriptions are used for reference purposes only. We do not imply that any part shown is the product of these manufacturers.

INDUSTRIAL SEAL KITS

MOBILE SEAL KITS

JOHN DEERE

## WHEEL LOADER

## JOHN DEERE

Model	Application	Serial Number	Cylinder Group	Arrangement	Bore	Rod	I	Ref. Number RJD-	\$	
							M			
300	BACKHOE BOOM	ALL		92	3.500	1.750	I	RE18754	47.70	
		PRIOR-8249		9250	4.000	2.000	I	AR105387	44.05	
		8250-UP		9250	4.000	2.000	I	RE18732	45.40	
	BACKHOE BUCKET	ALL			3.000	1.750	I	RE18751	35.85	
		ALL		92	3.500	1.750	I	RE18754	47.70	
	BACKHOE CROWD	ALL			9250	3.500	1.750	I	RE18755	38.45
		ALL			3.500	1.750	I	RE18754	47.70	
	BACKHOE STABILIZER	ALL			92	3.500	1.750	I	AR105412	60.91
		ALL			9250	4.000	2.000	I	AR105393	55.66
	BACKHOE SWING	PRIOR-8249			9250	4.000	2.000	I	RE18732	45.40
8250-UP				7300	2.250	1.500	I	AR96532	24.07	
LOADER BOOM LIFT	YR. 1969-UP			7320	2.500	1.500	I	RE19217	29.49	
	ALL			7300	2.500	1.250	I	AR105453	34.92	
LOADER BUCKET TILT	YR. 1967-UP			7320	2.500	1.500	I	RE19217	29.49	
	ALL									
400, 401A	BACKHOE BOOM	ALL		92	3.500	1.750	I	RE18754	47.70	
				94, 95, 95A, 9400	4.500	2.250	I	RE10640	52.35	
		PRIOR-8249		9250	4.000	2.000	I	AR105387	44.05	
	BACKHOE BUCKET	8250-UP			9250	4.000	2.000	I	RE18732	45.40
		ALL			94, 95,	3.500	2.250	I	RE18757	51.39
	BACKHOE CROWD	ALL			95A, 9400	3.000	1.750	I	RE18751	35.85
		ALL			92, 9250	4.000	2.000	I	AR105387	44.05
		ALL			94, 95,	3.500	1.750	I	RE18754	47.70
		ALL			95A, 9400	3.500	1.750	I	RE18755	38.45
		ALL			92, 94,	3.500	1.750	I	RE18754	47.70
BACKHOE STABILIZER	ALL			9250, 9400	3.000	1.750	I	RE18751	35.85	
	ALL			92	3.500	1.750	I	AR105412	60.91	
	PRIOR-8249			9250	4.000	2.000	I	AR105393	55.66	
BACKHOE SWING	8250-UP			9250	4.000	2.000	I	RE18732	45.40	
	ALL			9400	4.000	1.750	I	RE18730	45.20	
LOADER BOOM LIFT	YR. 1967-S/N 4600				2.500	1.500	I	RE19217	29.49	
	4601-UP				2.750	1.750	I	RE19220	37.95	
LOADER BUCKET TILT	ALL				2.500	1.250	I	AR105453	34.92	

All manufacturer's names, part numbers and descriptions are used for reference purposes only. We do not imply that any part shown is the product of these manufacturers.

Tel.: (604) 278-6808  
Fax: (604) 278-6180

**KITS 415**

[www.sealsonline.com](http://www.sealsonline.com)

INDUSTRIAL  
SEAL KITS

MOBILE  
SEAL KITS

JOHN DEERE

## JOHN DEERE

## LOADER BACKHOE

Model	Application	Serial Number	Cylinder Group	Arrangement	Bore	Rod	I	Ref. Number RJD-	\$	
							M			
<b>300B</b>	BACKHOE BOOM	ALL			4.000	2.000	I	RE18732	45.40	
	BACKHOE BUCKET	ALL			3.000	1.750	I	RE18751	35.85	
	BACKHOE CROWD	ALL			3.500	1.750	I	RE18755	38.45	
	BACKHOE STABILIZER	ALL			3.500	1.750	I	RE18754	47.70	
	BACKHOE SWING	ALL			9250	4.000	I	RE18732	45.40	
			39797-UP		9250A	3.500	1.750	I	RE18756	47.46
		LOADER BOOM LIFT	ALL			2.750	1.750	I	RE19220	37.95
	LOADER BUCKET TILT	ALL			2.500	1.500	I	RE19217	29.49	
<b>302</b>	BACKHOE BOOM	ALL			4.000	2.000	I	RE18732	45.40	
	BACKHOE BUCKET	ALL			3.000	1.750	I	RE18751	35.85	
	BACKHOE CROWD	ALL			3.500	1.750	I	RE18755	38.45	
	BACKHOE STABILIZER	ALL			3.500	1.750	I	RE18754	47.70	
	BACKHOE SWING	ALL			9250	4.000	I	RE18732	45.40	
		39797-UP		9250A	3.500	1.750	I	RE18756	47.46	
<b>310</b>	BACKHOE BOOM	ALL			4.500	2.250	I	AR105355	69.88	
	BACKHOE BUCKET	ALL			3.500	2.250	I	RE18757	51.39	
	BACKHOE CROWD	ALL			4.000	2.000	I	AR105387	44.05	
	BACKHOE STABILIZER	ALL			9405	3.500	I	RE18754	47.70	
					9500	3.000	I	RE18751	35.85	
	BACKHOE SWING	ALL			9405	4.000	I	RE18730	45.20	
		all with field replacement cyl.			9405	4.000	I	AR105387	44.05	
	LOADER BOOM LIFT	PRIOR-192003			2.750	1.750	I	AR105403	42.09	
		192004-UP			3.000	1.750	I	RE18751	35.85	
	LOADER BUCKET TILT	ALL			3.000	1.750	I	RE18751	35.85	
	STEERING	237996-U			2.000	0.875	I	RE18749	24.15	
<b>310A, 310B</b>	BACKHOE BOOM	PRIOR-701219			9405, 9500	4.500	I	AR105355	69.88	
		701220-UP			9405	4.500	I	RE18764	111.77	
	BACKHOE BUCKET	PRIOR-701219			9405, 9500	3.500	I	RE18757	51.39	
		701220-UP			9405	3.500	I	RE18758	97.94	
	BACKHOE CROWD	PRIOR-700422			9405, 9500	4.000	I	AR105387	44.05	
		700423-UP			9405	4.000	I	RE18741	95.76	
	BACKHOE STABILIZER	PRIOR-700422			9405	3.500	I	RE18754	47.70	
		700423-UP			9405	3.500	I	RE12912	97.21	
		ALL			9500	3.000	I	RE18751	35.85	
	BACKHOE SWING	PRIOR-346261			9405	4.000	I	RE18730	45.20	
		346262-700422			9405	4.000	I	AR105387	44.05	
		700423-UP			9405	4.000	I	RE18741	95.76	
	LOADER BOOM LIFT	PRIOR-291985			3.000	1.750	I	RE18751	35.85	
		291986-UP			3.250	1.750	I	AR105402	38.95	
	LOADER BUCKET TILT	PRIOR-291985			3.000	1.750	I	RE18751	35.85	
		291986-UP			3.250	1.500	I	AR105429	35.28	
	STEERING	ALL			2.000	0.875	I	RE18749	24.15	

All manufacturer's names, part numbers and descriptions are used for reference purposes only. We do not imply that any part shown is the product of these manufacturers.

INDUSTRIAL SEAL KITS

MOBILE SEAL KITS

JOHN DEERE

## LOADER BACKHOE

## JOHN DEERE

INDUSTRIAL  
SEAL KITS

MOBILE  
SEAL KITS

JOHN DEERE

Model	Application	Serial Number	Cylinder Group	Arrangement	Bore	Rod	I	Ref. Number RJD-	\$	
							M			
310C	BACKHOE BOOM	740893-	AH150110		115.00	56.00	M	AH149814	53.15	
			RE31721				M	AH149846	116.25	
	BACKHOE BUCKET	-729080	AH147722		115.00	56.00	M	RE31716	68.18	
			AH147722				M	AH149846	116.25	
	BACKHOE CROWD	740539-	-729080	AH147722		90.00	50.00	M	AH148164	41.96
				RE20829				M	AH149843	65.31
				AH138661				M	RE20595	49.77
				AH150119				M	AH149843	65.31
	BACKHOE STABILIZER	-727315	727316-761934	AH150103		90.00	45.00	M	AH149813	58.22
				AH150392				M	AH149843	65.31
RE20830				M				AH148164	41.96	
RE20830				M				AH149844	82.44	
RE26990				M				RE20434	56.33	
RE26990				M				AH149843	65.31	
RE26578				M				AH149843	65.31	
RE26578				M				RE20595	49.77	
REPLACEMENT				M				AH149844	82.44	
REPLACEMENT				M				RE20595	49.77	
BACKHOE SWING	761935-	761935-	AH148696		100.00	50.00	M	AH148164	41.96	
			RE20831				M	AH149844	82.44	
			AH144391				M	RE20595	49.77	
			AH144391				M	AH149844	82.44	
			AH154784				M	RE20434	56.33	
			AH154784				M	RE37003	14.71	
			AT101011				I	AH149813	58.22	
			AT101011				M	RE37003	14.71	
			AT76043				M	AT101377	75.61	
			RE20825				M	AT78498	53.93	
EXTENDABLE DIPPERSTICK	-774761	774762-	AH148696		100.00	50.00	M	RE20434	56.33	
			RE20831				M	AH149842	65.84	
			AH144391				M	AH149813	58.22	
			AH144391				M	AH149842	65.84	
			AH154784				M	AH149813	58.22	
			AH154784				M	AH149843	65.31	
			AT101011				M	AH149813	58.22	
			AT101011				M	AH149843	65.31	
			AT76043				M	RE20434	56.33	
			RE20825				M	AH149842	65.84	
HYDROSTATIC STEERING LOADER BOOM	774762-	774762-	AH138930		80.00	45.00	M	RE20434	56.33	
			AH154778				M	AH149842	65.84	
			AH154778				M	AH149813	58.22	
			AH154793				M	AH149842	65.84	
			AH154793				M	AH149843	65.31	
			AH154793				M	AH149813	58.22	
			RE20826				M	AH149843	65.31	
			RE20826				M	RE20434	56.33	
			AT142578				I	AT142582	44.02	
			AH139130				M	RE21875	49.12	
MULTI-PURPOSE BUCKET POWER STEERING	774762-	774762-	AH154780		2.000	25.00	I	AH137789	6.00	
			AH154780				M	AU149810	47.89	
			AH154780				M	AU149810	47.89	

All manufacturer's names, part numbers and descriptions are used for reference purposes only. We do not imply that any part shown is the product of these manufacturers.

Tel.: (418) 688-3202  
Fax: (418) 688-4272

**KITS 417**

[www.sealsonline.com](http://www.sealsonline.com)

## JOHN DEERE

## LOADER BACKHOE

Model	Application	Serial Number	Cylinder Group	Arrangement	Bore	Rod	I	Ref. Number RJD-	\$
							M		
310D		-726006	RE18712		2.000	1.000	I	AH137789	6.00
							I	RE14552	13.03
		726007-746966	RE21961		2.000	25.00	I	RE14551	11.20
							M	RE21875	49.12
						50.00	M	RE21874	47.90
			746967-	RE33800			M	RE21875	49.12
		STEERING				50.00	M	RE33803	52.20
							M	AT108329	42.65
		BACKHOE ARM				100.00	M	AH149844	82.44
							M	RE31716	68.18
	BACKHOE BOOM				115.00	M	AH149846	116.25	
		740893-UP	RE31721			56.00	M	RE31716	68.18
	BACKHOE BUCKET				90.00		M	AH149843	65.31
						50.00	M	AH148164	41.96
	BACKHOE STABILIZER				100.00		M	AH137687	69.03
					100.00		M	AH149844	82.44
						50.00	M	AH148164	41.96
	LOADER BOOM				80.00		M	AH149842	65.84
						45.00	M	RE20434	56.33
	LOADER BUCKET				90.00		M	AH149843	65.31
						45.00	M	RE20434	56.33
	SWING				100.00		M	AH149844	82.44
						50.00	M	AH148164	41.96
401C	BACKHOE BOOM	ALL			4.000	2.000	I	RE18732	45.40
	BACKHOE BUCKET	ALL			3.000	1.750	I	RE18751	35.85
	BACKHOE CROWD	ALL			3.500	1.750	I	RE18755	38.45
	BACKHOE STABILIZER	ALL			3.500	1.750	I	RE18754	47.70
	BACKHOE SWING	ALL			4.000	2.000	I	RE18732	45.40
		39797-UP		9250	4.000	2.000	I	RE18732	45.40
				9250A	3.500	1.750	I	RE18756	47.46
	LOADER BOOM LIFT	ALL			2.750	1.750	I	RE19220	37.95
	LOADER BUCKET TILT	ALL			2.500	1.250	I	AR105453	34.92
401D	BACKHOE BOOM	ALL			4.000		I	RE16118	77.40
						2.000	I	RE16119	25.95
	BACKHOE BUCKET	ALL			3.000	1.750	I	RE18751	35.85
	BACKHOE CROWD	ALL			3.500	1.750	I	RE18755	38.45
	BACKHOE STABILIZER	ALL			3.500	1.750	I	RE18754	47.70
	BACKHOE SWING	ALL			3.500	1.750	I	RE18756	47.46
	LOADER BOOM LIFT	all with self-leveling bucket			3.250		I	RE30816	63.94
		all with non self-leveling bucket				1.750	I	RE16209	30.38
					2.750	1.750	I	RE19220	37.95
	LOADER BUCKET TILT	all with self-leveling bucket			2.500	1.250	I	AR105453	34.92
		all with non self-leveling bucket				1.500	I	RE19217	29.49
	STEERING	ALL			2.000	0.875	I	RE18749	24.15

All manufacturer's names, part numbers and descriptions are used for reference purposes only. We do not imply that any part shown is the product of these manufacturers.

INDUSTRIAL SEAL KITS

MOBILE SEAL KITS

JOHN DEERE

## LOADER BACKHOE

## JOHN DEERE

INDUSTRIAL  
SEAL KITS

MOBILE  
SEAL KITS

JOHN DEERE

Model	Application	Serial Number	Cylinder Group	Arrangement	Bore	Rod	I	Ref. Number RJD-	\$	
							M			
410	BACKHOE BOOM	ALL			4.500	2.250	I	AR105355	69.88	
		field replacement			4.500	2.250	I	RE18764	111.77	
	BACKHOE BUCKET	ALL			3.500	2.250	I	RE18757	51.39	
		field replacement			3.500	2.250	I	RE18758	97.94	
	BACKHOE CROWD	ALL			9500	4.000	2.000	I	AR105387	44.05
					9410	4.500	2.250	I	AR105355	69.88
		field replacement			9410	4.500	2.250	I	RE18764	111.77
	BACKHOE STABILIZER	ALL			9500	3.000	1.750	I	RE18751	35.85
					9410	3.500	1.750	I	RE18754	47.70
	BACKHOE SWING	field replacement			9410	3.500	1.750	I	RE12912	97.21
check piston style										
PRIOR-303202				9410	4.000	1.750	I	RE18730	45.20	
303203-UP				9410	4.000	2.000	I	AR105387	44.05	
LOADER BOOM LIFT LOADER BUCKET TILT	ALL				3.250	1.750	I	AR105402	38.95	
	ALL				3.250	1.500	I	AR105429	35.28	
410B	BACKHOE BOOM	ALL			4.500	2.250	I	RE14523	80.28	
	BACKHOE BUCKET	PRIOR-711906			3.500	2.500	I	RE14208	37.11	
		711907-UP			3.500	2.500	I	RE16076	75.03	
	BACKHOE CROWD	ALL			4.000	2.250	I	RE14516	37.33	
						4.000	2.000	I	RE16076	75.03
	BACKHOE STABILIZER	PRIOR-719446			4.000	2.250	I	RE14538	27.82	
		719447-UP			100.00	2.000	I	RE16118	77.40	
	BACKHOE SWING	ALL			4.000	2.000	I	RE16118	25.95	
						4.000	2.000	I	RE16118	77.40
	LOADER BOOM LIFT	ALL			3.250	1.750	I	RE16119	25.95	
LOADER BUCKET TILT	ALL			3.500	1.750	I	RE16119	25.95		
STEERING	ALL			2.000	1.750	I	RE16118	77.40		
					2.000	1.000	I	RE16119	25.95	
					3.250	1.750	I	RE30816	63.94	
					3.500	1.750	I	RE16209	30.38	
					3.500	1.750	I	RE14517	74.20	
					2.000	1.750	I	RE14517	74.20	
					2.000	1.750	I	RE30874	28.27	
					2.000	1.750	I	RE14551	11.20	
					2.000	1.000	I	RE14552	13.03	

All manufacturer's names, part numbers and descriptions are used for reference purposes only. We do not imply that any part shown is the product of these manufacturers.

Tel.: (514) 334-2220  
Fax: (514) 333-8329

**KITS 419**

[www.sealsonline.com](http://www.sealsonline.com)



## JOHN DEERE

## LOADER BACKHOE

Model	Application	Serial Number	Cylinder Group	Arrangement	Bore	Rod	I	Ref. Number RJD-	\$	
							M			
410C	BACKHOE BOOM	ALL	RE21962			63.00	M	RE25151	106.63	
			AH135265		115.00		M	RE31140	114.30	
	BACKHOE BUCKET	ALL	RE25622			50.00	M	RE20595	49.77	
					90.00		M	RE20430	46.99	
	BACKHOE CROWD	740539-UP	AH13866			56.00	M	RE31716	68.18	
					100.00		M	AH137687	69.03	
	BACKHOE STABILIZER	ALL	RE26578			50.00	M	RE20595	49.77	
					100.00		M	AH137687	69.03	
	BACKHOE SWING	PRIOR-737926	RE15638			2.000	I	RE16119	25.95	
		737927-UP	RE33472		4.000		I	RE16118	77.40	
					50.00	M	RE20595	49.77		
				100.00		M	AH137687	69.03		
	DIPPER EXTENSION	ALL	AT101063		3.000	1.500	I	AT79722	45.62	
	LOADER BOOM LIFT	ALL	RE20825, AH138930			45.00	M	RE20434	56.33	
				80.00			M	RE31138	52.03	
	LOADER BUCKET TILT	ALL	RE20826, RE38227			45.00	M	RE20434	56.33	
				90.00			M	RE20430	46.99	
	LOADER CLAM	769393-UP	AT142578		3.000	2.000	I	AT142582	44.02	
	STEERING, POWER		RE18712			1.000	I	RE14552	13.03	
			(Flame Cut Head)		2.000		I	RE14551	11.20	
		PRIOR-746966	RE21961			25.00	M	RE21875	49.12	
			(Forged Head)		50.00		M	RE21874	47.90	
		746967-XXXX	RE33803			25.00	M	RE21875	49.12	
					50.00		M	RE33803	52.20	
		XXXX-UP	AH139130			25.00	M	RE21875	49.12	
					2.000		I	AH137789	6.00	
	STEERING, HYDROSTATIC	PRIOR-749405	AT76403		50.00	25.00	M	AT78498	53.93	
		749406-UP	AT108335			60.00	M	AT108329	42.65	
410D	BACKHOE BOOM	ALL	AH135265			63.00	M	RE25151	106.63	
			(Standard Boom)		115.00		M	RE31140	114.30	
			RE15647			2.500	I	RE14745	42.56	
			(Heavy Lift Boom)		5.000		I	RE14744	99.12	
	BACKHOE BUCKET	ALL	RE25622			50.00	M	RE20595	49.77	
					90.00		M	RE20430	46.99	
	BACKHOE CROWD	ALL	AH138661			56.00	M	RE31716	68.18	
			(Standard Boom)		100.00		M	AH137687	69.03	
			ALL	AH135266			63.00	M	RE25151	106.63
			(Heavy Lift Boom)		115.00		M	RE31140	114.30	
BACKHOE STABILIZER		AH135635, AH135636			50.00	M	RE20595	49.77		
				100.00		M	AH137687	69.03		
BACKHOE SWING	ALL	RE33472			50.00	M	RE20595	49.77		
				100.00		M	AH137687	69.03		
DIPPER EXTENSION	PRIOR-XXXX	AT10163			3.000	1.500	I	AT79722	45.62	
(1.2 M EXTENDIBLE DIPPERSTICK)	XXXX-UP	AH141377				45.00	M	RE20434	56.33	
				80.00			M	RE37003	14.71	
DIPPER EXTENSION	PRIOR-XXXX	AT84174			3.000	1.500	I	AT79722	45.62	

All manufacturer's names, part numbers and descriptions are used for reference purposes only. We do not imply that any part shown is the product of these manufacturers.

INDUSTRIAL  
SEAL KITS

MOBILE  
SEAL KITS

JOHN DEERE

## LOADER BACKHOE

## JOHN DEERE

INDUSTRIAL  
SEAL KITS

MOBILE  
SEAL KITS

JOHN DEERE

Model	Application	Serial Number	Cylinder Group	Arrangement	Bore	Rod	I	Ref. Number RJD-	\$	
							M			
	(1.5 M EXTENDIBLE DIPPERSTICK)	XXXX-UP	AH141378			45.00	M	RE20434	56.33	
	LOADER BOOM LIFT	ALL	AH138931		80.00	45.00	M	RE37003	14.71	
	LOADER BUCKET TILT	ALL	RE38227		90.00	45.00	M	RE20434	56.33	
					90.00		M	RE20430	46.99	
					90.00		M	RE20434	56.33	
					90.00		M	RE20430	46.99	
		LOADER CLAM	ALL	AT142578		3.000	2.000	I	AT142582	44.02
		STEERING, POWER	PRIOR-780658	AH13930		2.000	25.00	M	RE21875	49.12
			780659-UP	AH134479		2.000	25.00	I	AH137789	6.00
						2.500		M	RE21875	49.12
							I	RE30100	6.37	
<b>415B</b>	BACKHOE BOOM	ALL			4.500		I	RE14523	80.28	
	BACKHOE BUCKET	ALL			3.500	2.250	I	RE14208	37.11	
	BACKHOE CROWD	ALL			4.000	2.500	I	RE16076	75.03	
							I	RE14516	37.33	
							I	RE16118	77.40	
							I	RE16119	25.95	
		BACKHOE STABILIZER	ALL			3.000		I	RE14082	68.66
		BACKHOE SWING	ALL			4.000		I	RE14555	74.65
<b>500A</b>	LOADER BOOM LIFT	ALL				2.000	I	RE14556	24.65	
	LOADER BUCKET TILT	ALL			3.250		I	RE30816	63.94	
						1.750	I	RE16209	30.38	
						3.500	I	RE14517	74.20	
		STEERING	ALL			2.000		I	RE30874	28.27
							I	RE14551	11.20	
							I	RE14552	13.03	
		BACKHOE BOOM	ALL			4.500	2.250	I	RE10640	52.35
		BACKHOE BUCKET	ALL			3.500	2.250	I	RE18757	51.39
		BACKHOE CROWD	ALL			4.000	2.000	I	AR105387	44.05
	BACKHOE STABILIZER	ALL		95	3.000	1.750	I	RE18751	35.85	
				97, 9700	3.500	1.750	I	RE18754	47.70	
	BACKHOE SWING	ALL		9700	4.000	1.750	I	RE18730	45.20	
	LOADER BOOM LIFT AND BUCKET TILT	ALL			2.750	1.500	I	AR105430	32.66	
<b>500B</b>	BACKHOE BOOM	all with AU43137 cylinder			5.500	2.500	I	AR105443	104.51	
		all with AT37797 cylinder			5.500	2.500	I	RE13277	82.80	
		all others			5.500	2.500	I	AR105281	76.14	
	BACKHOE BUCKET	ALL			4.000	2.500	I	AR96526	69.08	
	BACKHOE CROWD	all with AU42875 or AT35944 cyl.			5.500	2.500	I	AR105443	104.51	
		all with AT38002 cylinder			5.500	2.500	I	RE18734	77.28	
	BACKHOE STABILIZER	ALL			4.500	2.500	I	AR105441	73.05	
	BACKHOE SWING	ALL			4.500	2.000	I	AR105384	51.07	

All manufacturer's names, part numbers and descriptions are used for reference purposes only. We do not imply that any part shown is the product of these manufacturers.

Tel.: (905) 362-0889  
Fax: (888) 238-1664

**KITS 421**

[www.sealsonline.com](http://www.sealsonline.com)

## JOHN DEERE

## LOADER BACKHOE

Model	Application	Serial Number	Cylinder Group	Arrangement	Bore	Rod	I	Ref. Number RJD-	\$
							M		
500C	LOADER BOOM LIFT	ALL			3.500	2.000	I	AR105392	38.55
	LOADER BUCKET TILT	ALL			3.000	1.750	I	RE18751	35.85
	BACKHOE BOOM	PRIOR-700717		9500, 9705	4.500	2.250	I	AR105355	69.88
		700718-UP		9705	4.500	2.250	I	RE18764	111.77
	BACKHOE BUCKET	PRIOR-700717		9500, 9705	3.500	2.250	I	RE18757	51.39
		700718-UP		9705	3.500	2.250	I	RE18758	97.94
	BACKHOE CROWD	ALL		9500	4.000	2.000	I	AR105387	44.05
		PRIOR-700717		9705	4.500	2.250	I	AR105355	69.88
		700718-UP			4.500	2.250	I	RE18764	111.77
	BACKHOE STABILIZER	ALL		9500	3.000	1.750	I	RE18751	35.85
	PRIOR-700717		9705	3.500	1.750	I	RE18754	47.70	
510	BACKHOE SWING	700718-UP		9705	3.500	1.750	I	RE12912	97.21
		PRIOR-303508		9705	4.000	1.750	I	RE18730	45.20
		303509-700717		9705	4.000	2.000	I	AR105387	44.05
		700718-UP		9705	4.000	2.000	I	RE18741	95.76
	LOADER BOOM LIFT	ALL			3.250	1.750	I	AR105402	38.95
	LOADER BUCKET TILT	ALL			3.250	1.500	I	AR105429	35.28
	BACKHOE BOOM	PRIOR-155578		9900	5.500	2.500	I	AR105443	104.51
		155579-249770		9900	5.500	2.500	I	RE13277	82.80
		249771-700717		9900	5.500	2.500	I	AR105281	76.14
		700718-UP		9900	5.500	2.500	I	RE18745	106.40
BACKHOE BUCKET	PRIOR-700717		9900	4.000	2.500	I	AR96526	69.08	
	700718-U		9900	4.000	2.500	I	RE18735	111.37	
	BACKHOE CROWD	PRIOR-155578		9900	5.500	2.500	I	AR105443	104.51
		155579-700717		9900	5.500	2.500	I	RE18734	77.28
		700718-UP		9900	5.500	2.500	I	RE18740	162.05
	BACKHOE STABILIZER	PRIOR-700717		9900	4.500	2.500	I	AR105441	73.05
		700718-UP		9900	4.500		I	RE14094	80.28
				9900		2.500	I	RE17345	45.48
	BACKHOE SWING	PRIOR-700717		9900	4.500	2.000	I	AR105384	51.07
		700718-UP		9900	4.500	2.000	I	RE19225	104.12
	LOADER BOOM LIFT	ALL			3.750	2.000	I	AR105381	42.50
	LOADER BUCKET TILT	ALL			3.500	2.000	I	AR105392	38.55
LOADER CLAM	ALL		drott 4-IN-1 bucket	4.000	2.000	I	JIC-G32299	44.23	
510B	BACKHOE BOOM	ALL			5.000		I	RE14744	99.12
						2.500	I	RE14745	42.56
	BACKHOE BUCKET	ALL			3.500		I	RE16076	75.03
						2.250	I	RE14538	27.82
	BACKHOE CROWD	ALL			4.500		I	RE14094	80.28
						2.250	I	RE14208	37.11
	BACKHOE STABILIZER	PRIOR-719455			4.000		I	RE16118	77.40
					2.000	I	RE16119	25.95	
	719456-UP			100.00		M	RE31139	91.84	
BACKHOE SWING	ALL			4.000		I	RE20595	49.77	
					2.000	I	RE16118	77.40	
						I	RE16119	25.95	

All manufacturer's names, part numbers and descriptions are used for reference purposes only. We do not imply that any part shown is the product of these manufacturers.

INDUSTRIAL SEAL KITS

MOBILE SEAL KITS

JOHN DEERE

## LOADER BACKHOE

## JOHN DEERE

Model	Application	Serial Number	Cylinder Group	Arrangement	Bore	Rod	I	Ref. Number RJD-	\$
							M		
510C	LOADER BOOM LIFT	ALL			3.500	1.750	I	RE14517	74.20
	LOADER BUCKET TILT	ALL			4.000	2.000	I	RE16209	30.38
	STEERING	ALL			2.000	1.000	I	RE14567	79.55
							I	RE16119	25.95
							I	RE14551	11.20
							I	RE14552	13.03
	BACKHOE BOOM	ALL	RE15647			2.500	I	RE14745	42.56
						5.000	I	RE14744	99.12
	BACKHOE BUCKET	ALL	RE25622			50.00	M	RE20595	49.77
						90.00	M	RE20430	46.99
BACKHOE CROWD	ALL	RE21965, AH135266			63.00	M	RE25151	106.63	
					115.00	M	RE31140	114.30	
	BACKHOE STABILIZER	ALL	RE26578			50.00	M	RE20595	49.77
					100.00	M	AH137687	69.03	
	BACKHOE SWING	PRIOR-737926	RE15638			2.000	I	RE16119	25.95
					4.000	I	RE16118	77.40	
		737927-UP	RE33472			25.00	M	RE20595	49.77
					100.00	M	AH137687	69.03	
	DIPPER EXTENSION	ALL	AT84174			3.000	I	AT79722	45.62
	LOADER BOOM LIFT	ALL	RE21959, AH138931			45.00	M	RE20434	56.33
	LOADER BUCKET TILT	ALL	RE21966, RE38230			90.00	M	RE20430	46.99
	LOADER CLAM	769393-UP	AT142578			100.00	M	AH137687	69.03
					3.000	I	AT142582	44.02	
	STEERING, POWER		RE18712			1.000	I	RE14552	13.03
			(flame cut head)		2.000	I	RE14551	11.20	
		PRIOR-746966	RE21961			25.00	M	RE21875	49.12
			(forged head)		50.00	M	RE21874	47.90	
		746967-XXXX	RE33803			25.00	M	RE21875	49.12
					50.00	M	RE33803	52.20	
		XXXX-UP	AH139130			25.00	M	RE21875	49.12
					2.000	I	AH137789	6.00	
	STEERING, HYDROSTATIC	PRIOR-749405 749406-UP	AT76403 AT108335			50.00	M	AT78498	53.93
						60.00	M	AT108329	42.65
510D	BACKHOE BOOM	ALL	RE15647			2.500	I	RE14745	42.56
					5.000	I	RE14744	99.12	
	BACKHOE BUCKET	ALL	RE25622			45.00	M	RE20434	56.33
					90.00	M	RE20430	46.99	
	BACKHOE CROWD	ALL	AH135266			63.00	M	RE25151	106.63
					115.00	M	RE31140	114.30	
	BACKHOE STABILIZER	ALL	AH135635, AH135636			50.00	M	RE20595	49.77
					100.00	M	AH137687	69.03	
BACKHOE SWING	ALL	RE33472			50.00	M	RE20595	49.77	
				100.00	M	AH137687	69.03		
DIPPER EXTENSION	PRIOR-XXXX XXXX-UP	AT84174 AH141378			3.000	I	AT79722	45.62	
					45.00	M	RE20434	56.33	

All manufacturer's names, part numbers and descriptions are used for reference purposes only. We do not imply that any part shown is the product of these manufacturers.

Tel.: (204) 783-9617  
Fax: (204) 783-6091

**KITS 423**

[www.sealsonline.com](http://www.sealsonline.com)

INDUSTRIAL  
SEAL KITS

MOBILE  
SEAL KITS

JOHN DEERE

## JOHN DEERE

## LOADER BACKHOE

Model	Application	Serial Number	Cylinder Group	Arrangement	Bore	Rod	I	Ref. Number RJD-	\$			
							M					
	LOADER BOOM LIFT	ALL	AH138931		80.00	45.00	M	RE37003	14.71			
							M	RE20434	56.33			
							M	RE20430	46.99			
	LOADER BUCKET TILT	ALL	RE38230		90.00	50.00	M	RE20595	49.77			
							M	AH137687	69.03			
	LOADER CLAM	ALL	AT142578		3.000	2.000	I	AT142582	44.02			
	STEERING, POWER	PRIOR-780658	AH139130			25.00	25.00	M	RE21875	49.12		
								I	AH137789	6.00		
						780659-UP		AH134479		M	RE21875	49.12
										I	RE30100	6.37
515B	BACKHOE BOOM	ALL			4.500	2.250	I	RE14523	80.28			
	BACKHOE BUCKET	ALL			3.500		I	RE14208	37.11			
	BACKHOE CROWD	ALL			4.500		I	RE16076	75.03			
	BACKHOE STABILIZER	ALL			3.000		I	RE14538	27.82			
	BACKHOE SWING	ALL			4.000		I	RE14523	80.28			
	LOADER BOOM LIFT	ALL			3.500		I	AH139417	38.93			
	LOADER BUCKET TILT	ALL			4.000		I	RE14082	68.66			
					2.000		I	RE14555	74.65			
					2.000		I	RE14556	24.65			
					1.750		I	RE14517	74.20			
	STEERING	ALL			2.000	1.000	I	RE16209	30.38			
							I	RE14567	79.55			
							I	RE16119	25.95			
610B	BACKHOE BOOM	ALL			5.000	2.500	I	RE14551	11.20			
							I	RE14552	13.03			
							I	RE14744	99.12			
	BACKHOE BUCKET	ALL			3.500	2.250	I	RE14745	42.56			
							I	RE16076	75.03			
	BACKHOE CROWD	ALL			4.500	2.250	I	RE14538	27.82			
							I	RE14094	80.28			
	BACKHOE STABILIZER	PRIOR-719557				4.000	2.000	I	RE14208	37.11		
		719558-UP			100.00	M		RE16118	77.40			
					50.00	M		RE16119	25.95			
BACKHOE SWING	ALL			4.000	I	RE31139		91.84				
				2.000	I	RE20595		49.77				
LOADER BOOM LIFT	ALL			3.500	I	RE16118		77.40				
LOADER BUCKET TILT	ALL			4.000	I	RE16119		25.95				
				2.000	I	RE14517		74.20				
				1.750	I	RE16209		30.38				
				2.000	I	RE14567		79.55				
STEERING	ALL			2.000	I	RE16119	25.95					
				1.000	I	RE14551	11.20					
				1.000	I	RE14552	13.03					

All manufacturer's names, part numbers and descriptions are used for reference purposes only. We do not imply that any part shown is the product of these manufacturers.

INDUSTRIAL SEAL KITS

MOBILE SEAL KITS

JOHN DEERE

## LOADER BACKHOE

## JOHN DEERE

Model	Application	Serial Number	Cylinder Group	Arrangement	Bore	Rod	I	Ref. Number RJD-	\$
							M		
610C	BACKHOE BOOM	ALL	RE15647			2.500	I	RE14745	42.56
					5.000		I	RE14744	99.12
	BACKHOE BUCKET	ALL	RE25622			50.00	M	RE20595	49.77
					90.00		M	RE20430	46.99
	BACKHOE CROWD	ALL	RE21965, AH135266			63.00	M	RE25151	106.63
				115.00		M	RE31140	114.30	
	BACKHOE STABILIZER	ALL	RE26578			50.00	M	RE20595	49.77
					100.00		M	AH137687	69.03
710B	BACKHOE SWING	PRIOR-737926	RE15638			2.000	I	RE16119	25.95
					4.000		I	RE16118	77.40
		737927	RE33472			50.00	M	RE20595	49.77
					100.00		M	AH137687	69.03
	DIPPER EXTENSION	ALL	AT84174		3.000	1.500	I	AT79722	45.62
	LOADER BOOM LIFT	ALL	RE21959, AH138931			45.00	M	RE20434	56.33
					90.00		M	RE20430	46.99
	LOADER BUCKET TILT	ALL	RE21966, RE38230			50.00	M	RE20595	49.77
					100.00		M	AH137687	69.03
	LOADER CLAM	769393-UP	AT142578		3.000	2.000	I	AT142582	44.02
	STEERING, POWER		RE18712			1.000	I	RE14552	13.03
			(Flame Cut Head)		2.000		I	RE14551	11.20
		PRIOR-746966	RE21961			25.00	M	RE21875	49.12
			(Forged Head)		50.00		M	RE21874	47.90
		746967-XXXX	RE33803			25.00	M	RE21875	49.12
		XXXX-UP	AH139130		50.00		M	RE33803	52.20
					2.000		I	AH137789	6.00
	STEERING, HYDROSTATIC	PRIOR-749405	AT76403		50.00	25.00	M	AT78498	53.93
		749406-UP	AT108335			60.00	M	AT108329	42.65
710B	BACKHOE BOOM	ALL			6.000		I	RE14879	123.67
						2.750	I	RE14880	43.38
	BACKHOE BUCKET	ALL			4.000		I	RE14567	79.55
						2.500	I	RE14516	37.33
	BACKHOE CROWD	ALL			5.500		I	RE14877	120.86
						2.750	I	RE14878	47.55
	BACKHOE STABILIZER	ALL			4.500		I	RE14094	80.28
						2.500	I	RE14745	42.56
	BACKHOE SWING	ALL			4.500		I	RE14523	80.28
						2.250	I	AH139417	38.93
	LOADER BOOM LIFT	ALL			3.750		I	RE14771	62.94
						2.000	I	RE30817	31.64
	LOADER BUCKET TILT	ALL			4.500		I	RE14523	80.28
					2.000	I	RE16119	25.95	
STEERING	ALL			2.750		I	RE14772	17.50	
					1.250	I	RE14773	22.81	

INDUSTRIAL SEAL KITS

MOBILE SEAL KITS

JOHN DEERE

All manufacturer's names, part numbers and descriptions are used for reference purposes only. We do not imply that any part shown is the product of these manufacturers.

## JOHN DEERE

## LOADER BACKHOE

Model	Application	Serial Number	Cylinder Group	Arrangement	Bore	Rod	I	Ref. Number RJD-	\$	
							M			
710C	BACKHOE BOOM		AH136547		160.00	80.00	M	RE25152	138.43	
			AH142928			80.00	M	AH137210	109.32	
			AH140866			160.00	M	RE25152	138.43	
	BACKHOE BUCKET		AH140866		100.00	63.00	M	AH137210	109.32	
			AH149844		100.00	M	AH134477	101.01		
			AH142927		100.00	M	AH149844	82.44		
	BACKHOE CROWD		AH136539		140.00	70.00	M	RE25151	106.63	
			AH154791		115.00	M	AH149844	82.44		
			AH154791		115.00	M	RE37462	131.66		
	BACKHOE STABILIZER			AH154791		115.00	63.00	M	AH137209	141.41
				AH149846		115.00	M	AH149815	58.32	
				AH149846		115.00	M	AH149846	116.25	
				RE36942		115.00	M	RE28899	101.71	
				AH139415		115.00	M	AH149846	116.25	
				AH141405		115.00	M	AH139417	38.93	
AH141405				115.00		I	RE14523	80.28		
AH141405				115.00		M	RE31716	68.18		
AH141405				115.00		M	AH149846	116.25		
BACKHOE SWING			AH154781		115.00	56.00	M	AH149814	53.15	
			AR104407		115.00	M	AH149846	116.25		
			RE15499		115.00	M	AH149846	116.25		
			AR104407		4.500	I	AH139417	38.93		
			RE15499		4.500	I	RE14523	80.28		
			RE15499		4.500	I	AH139417	38.93		
EXTENDABLE DIPPERSTICK LOADER BOOM			AH155668		80.00	45.00	M	AH149813	58.22	
			AH154789		100.00	M	RE37003	14.71		
			RE32557		100.00	M	AH149814	53.15		
			RE32557		100.00	M	AH137687	69.03		
			RE32557		100.00	M	RE31716	68.18		
			RE32557		100.00	M	AH137687	69.03		
			RE32557		100.00	M	AH137687	69.03		
			RE32557		100.00	M	AH137687	69.03		
			RE32557		100.00	M	AH137687	69.03		
			RE32557		100.00	M	AH137687	69.03		
			RE32557		100.00	M	AH137687	69.03		
			RE32557		100.00	M	AH137687	69.03		
LOADER BUCKET			AH154792		115.00	56.00	M	AH149814	53.15	
			RE37702		115.00	M	AH149846	116.25		
			RE37702		115.00	M	RE31716	68.18		
MULTI-PURPOSE POWER STEERING	768252-		AT142582		3.000	2.000	I	AH149846	116.25	
			AH154794		60.00	M	AT142582	44.02		
			AH154794		60.00	M	AH148823	40.48		
710D	BACKHOE BOOM		AH142928		160.00	70.00	M	RE20428	41.53	
						70.00	M	RE21873	47.93	
						70.00	M	RE20428	41.53	
710D	BACKHOE BUCKET		AH142928		100.00	80.00	M	RE25152	138.43	
						80.00	M	AH137210	109.32	
						63.00	M	RE25151	106.63	
710D	BACKHOE CROWD		AH142926		140.00	70.00	M	AH149844	82.44	
						70.00	M	AH142089	144.98	
						70.00	M	AH137209	141.41	

All manufacturer's names, part numbers and descriptions are used for reference purposes only. We do not imply that any part shown is the product of these manufacturers.

INDUSTRIAL  
SEAL KITS

MOBILE  
SEAL KITS

JOHN DEERE

## LOADER BACKHOE

## JOHN DEERE

Model	Application	Serial Number	Cylinder Group	Arrangement	Bore	Rod	I	Ref. Number RJD-	\$	
							M			
	BACKHOE STABILIZER	-831989	RE36942		115.00	63.00	M	RE28899	101.71	
		831990-	AH154791				M	AH149846	116.25	
	BACKHOE SWING				AH141405	M	AH149815	58.32		
					M	AH149846	116.25			
					M	RE31716	68.18			
					M	AH149846	116.25			
	EXTENDABLE				AH146325	M	RE20434	56.33		
					AH155668	M	RE37003	14.71		
	LOADER BOOM				AH154789	80.00	45.00	M	AH149813	58.22
						80.00		M	RE37003	14.71
100.00				56.00		M	AH149814	53.15		
100.00				56.00		M	AH149844	82.44		
LOADER BUCKET			RE32557	56.00	60.00	M	RE31716	68.18		
			AH154792	100.00	56.00	M	AH149844	82.44		
			RE37702	56.00	56.00	M	AH149814	53.15		
			RE37702	115.00	56.00	M	AH149846	116.25		
			AH154794	115.00	70.00	M	RE31716	68.18		
			AH154794	70.00	70.00	M	AH149846	116.25		
POWER STEERING			RE38529	60.00	60.00	M	RE20428	41.53		
				60.00	60.00	M	AH148823	40.48		
				60.00	60.00	M	RE21873	47.93		
				70.00	70.00	M	RE20428	41.53		

## ARTICULATED LOADER

<b>344E</b>	LOADER BOOM LIFT	ALL	AT122273		110.00	60.00	M	AT122564	123.86
	LOADER BUCKET TILT	ALL	AT122274		110.00	60.00	M	AT122564	123.86
	STEERING	ALL	AT122275		60.00	35.00	M	AT122580	88.29
<b>444, 444C, 444CH</b>	BACKHOE BOOM	ALL			4.000	2.000	I	RE18732	45.40
	BACKHOE BUCKET	ALL			3.000	1.750	I	RE18751	35.85
	BACKHOE CROWD	ALL			3.500	1.750	I	RE18755	38.45
	BACKHOE STABILIZER	ALL			3.500	1.750	I	RE18754	47.70
	BACKHOE SWING	PRIOR-39796 check piston style		9450	3.500	1.750	I	RE18756	47.46
		39797-UP		9450	3.500	1.750	I	RE18756	47.46
	MULTI-PURPOSE	ALL			4.000	2.000	I	AR105387	44.05
	LOADER BOOM LIFT	PRIOR-503064			5.250	2.250	I	AR105346	59.20
		503065-UP			5.250		I	RE14100	104.76
	LOADER BUCKET TILT	PRIOR-503064 503065-UP			5.250	2.250	I	RE14208	37.11
					5.250	2.250	I	AR105356	65.07
					5.250		I	RE14100	104.76
LUMBER CLAMP STEERING	ALL ALL PRIOR-505310 505311-UP	ALL		444	4.000	2.000	I	AR105387	44.05
				444, 444CH	3.625	3.375	I	RE19227	41.83
				444C, 444CH	3.000	1.500	I	AR105272	24.39
				444C, 444CH	3.000	1.500	I	RE18202	9.83
					1.500	1.500	I	RE18203	26.92

All manufacturer's names, part numbers and descriptions are used for reference purposes only. We do not imply that any part shown is the product of these manufacturers.

Tel.: (403) 279-1871  
Fax: (403) 279-1821

**KITS 427**

[www.sealsonline.com](http://www.sealsonline.com)

INDUSTRIAL  
SEAL KITS

MOBILE  
SEAL KITS

JOHN DEERE



## JOHN DEERE

## ARTICULATED LOADER

Model	Application	Serial Number	Cylinder Group	Arrangement	Bore	Rod	I	Ref. Number RJD-	\$
							M		
444D	LOADER BOOM LIFT	ALL			5.250	2.250	I	RE14100	104.76
	LOADER BUCKET TILT	ALL			5.250	2.250	I	RE14208	37.11
	LUMBER FORK	ALL			4.000	2.000	I	AR105387	44.05
	MULTI-PURPOSE	ALL			4.000	2.000	I	AR105387	44.05
	STEERING	ALL			3.000	1.500	I	RE18202	9.83
							I	RE18203	26.92
444E	LOADER BOOM LIFT	ALL	AT121333		110.00	60.00	M	AT121500	141.50
	LOADER BUCKET TILT	ALL	AT121334		120.00	65.00	M	AT121501	143.68
	STEERING	ALL	AT121335		65.00	35.00	M	AT121499	111.30
544, 544A	BACKHOE BUCKET	PRIOR-701219		93, 93A, 9305	3.500	2.250	I	RE18757	51.39
		701220-UP		9305	3.500	2.250	I	RE18758	97.94
	BACKHOE CROWD	PRIOR-701219		93, 93A, 9305	4.000	2.000	I	AR105387	44.05
		701220-UP		9305	4.000	2.000	I	RE18741	95.76
	BACKHOE STABILIZER	ALL		93, 93A	3.500	1.750	I	RE18754	47.70
				9305	4.000	2.000	I	AR105387	44.05
	BACKHOE BOOM	ALL		93, 93A	4.500	2.250	I	RE10640	52.35
		PRIOR-701219		9305	4.500	2.250	I	AR105355	69.88
		701220-UP		9305	4.500	2.250	I	RE18764	111.77
	GRAPPLE	ALL			3.500	1.750	I	RE18754	47.70
	LOADER BOOM LIFT	ALL			5.250	2.250	I	AR105346	59.20
	LOADER BUCKET TILT	ALL			3.500	2.000	I	RE18748	45.98
	LOADER CLAM	453-UP		drott 4-IN-1 bucket	4.000	2.000	I	RJIC-G32299	41.92
	LUMBER CLAMP	ALL			5.250	2.250	I	AR105346	59.20
	STEERING	ALL		right hand cyl. left hand cyl.	3.625 3.625	3.375 3.375	I I	RE19227 RE19226	41.83 44.39
544B	BACKHOE BOOM	PRIOR-01219		9305	4.500	2.250	I	AR105355	69.88
		701220-UP		9305	4.500	2.250	I	RE18764	111.77
	BACKHOE BUCKET	PRIOR-701219		9305	3.500	2.250	I	RE18757	51.39
		701220-UP		9305	3.500	2.250	I	RE18758	97.94
	BACKHOE CROWD	PRIOR-701219		9305	4.000	2.000	I	AR105387	44.05
		701220-UP		9305	4.000	2.000	I	RE18741	95.76
	BACKHOE STABILIZER	ALL			4.000	2.000	I	AR105387	44.05
	GRAPPLE	ALL			3.500	1.750	I	RE18754	47.70
	LOADER BOOM LIFT	ALL			5.250	2.250	I	AR105346	59.20
	LOADER BUCKET TILT	ALL			5.250	2.250	I	AR105356	65.07
	LUMBER CLAMP	PRIOR-226223			5.250	2.250	I	AR105346	59.20
		226224-UP			4.000	2.000	I	AR105387	44.05
MULTI-PURPOSE	ALL			4.000	2.000	I	AR105387	44.05	
STEERING	ALL			3.625	3.375	I	RE19227	41.83	
	PRIOR-247599			3.625	3.375	I	RE19226	44.39	
	247600-UP			3.625	3.375	I	RE19227	41.83	

All manufacturer's names, part numbers and descriptions are used for reference purposes only. We do not imply that any part shown is the product of these manufacturers.

INDUSTRIAL SEAL KITS

MOBILE SEAL KITS

JOHN DEERE

## ARTICULATED LOADER

## JOHN DEERE

Model	Application	Serial Number	Cylinder Group	Arrangement	Bore	Rod	I	Ref. Number RJD-	\$	
							M			
544C	BACKHOE BOOM	ALL			4.000	2.000	I	RE18732	45.40	
	BACKHOE BUCKET	ALL			3.000	1.750	I	RE18751	35.85	
	BACKHOE CROWD	ALL			3.500	1.750	I	RE18755	38.45	
	BACKHOE STABILIZER	ALL			3.500	1.750	I	RE18754	47.70	
	BACKHOE SWING	ALL			3.500	1.750	I	RE18756	47.46	
	LOADER BOOM LIFT	504463-UP			5.500		I	RE14910	120.86	
							2.500	I	RE13745	36.18
		LOADER BUCKET TILT	504664-UP			5.500		I	RE14910	120.86
		LUMBER FORK	ALL			4.000	2.000	I	AR105387	44.05
		MULTI-PURPOSE	ALL			4.000	2.000	I	AR105387	44.05
	STEERING	PRIOR-505253			3.000	1.500	I	AR105272	24.39	
		505254-UP			3.000		I	RE18202	9.83	
544D						1.500	I	RE18203	26.92	
	LOADER BOOM LIFT	ALL			5.500		I	RE14910	120.86	
						2.500	I	RE13745	36.18	
	LOADER BUCKET TILT	ALL			5.500		I	RE14910	120.86	
	LUMBER FORK	ALL			4.000	2.000	I	RE18733	37.12	
	MULTI-PURPOSE	ALL			4.000	2.000	I	AR105387	44.05	
	STEERING	ALL			3.000		I	RE18202	9.83	
544E, 544E LL, 544E TC						1.500	I	RE18203	26.92	
	LOADER BOOM LIFT	ALL	AH136532, AH136534		125.00	63.00	M	RE25151	106.63	
							M	AH137208	127.94	
	LOADER BUCKET TILT	ALL	AH136537, AH139262		140.00	63.00	M	RE25151	106.63	
		ALL	AH136544			80.00	M	RE25152	138.43	
					160.00		M	AH137210	109.32	
	STEERING	ALL	RE27701			40.00	M	RE20433	56.00	
					70.00		M	RE20428	41.53	
544G	LOADER BOOM LIFT				125.00		M	AH137208	127.94	
						63.00	M	RE25151	106.63	
	LOADER BUCKET TILT				140.00		M	AH137209	141.41	
						63.00	M	RE25151	106.63	
	STEERING				70.00		M	RE20428	41.53	
					40.00	M	RE20433	56.00		
544H, 544HLL	BOOM	PRIOR-570068	AH147533		115.00		M	AH163671	104.62	
						63.00	M	AH149815	58.32	
		570069-UP	AH163629		115.00		M	AH163671	104.62	
						63.00	M	AH149815	58.32	
	BUCKET	ALL	AH152676		125.00		M	AH149848	163.76	
						75.00	M	AH154570	66.39	
		ALL	AH153921		110.00		M	AH149845	103.99	
						70.00	M	AH156466	53.60	
	STEERING	PRIOR-568522	AH147586		63.00	40.00	M	AH153497	126.27	
					63.00	40.00	M	AH153497	126.27	
		568523-UP	AH160118		63.00		M	AH161590	89.24	
					40.00	M	AH149194	48.59		

All manufacturer's names, part numbers and descriptions are used for reference purposes only. We do not imply that any part shown is the product of these manufacturers.

Tel.: (604) 278-6808  
Fax: (604) 278-6180

**KITS 429**

[www.sealsonline.com](http://www.sealsonline.com)

INDUSTRIAL  
SEAL KITS

MOBILE  
SEAL KITS

JOHN DEERE

## JOHN DEERE

## ARTICULATED LOADER

Model	Application	Serial Number	Cylinder Group	Arrangement	Bore	Rod	I	Ref. Number RJD-	\$
							M		
624E, 624G	LOADER BOOM LIFT	ALL	AH136535			63.00	M	RE25151	106.63
					140.00		M	AH137209	141.41
	LOADER BUCKET TILT	ALL	AH136542			80.00	M	RE25152	138.43
					160.00		M	AH137210	109.32
	STEERING	ALL	RE36926			45.00	M	RE20434	56.33
					80.00		M	RE31138	52.03
644, 644A	BACKHOE BOOM	ALL		93, 93A	4.500	2.250	I	RE10640	52.35
		PRIOR-701219		9305	4.500	2.250	I	AR105355	69.88
		701220-UP		9305	4.500	2.250	I	RE18764	111.77
	BACKHOE BUCKET	PRIOR-701219		93, 93A, 9305	3.500	2.250	I	RE18757	51.39
		701220-UP		9305	3.500	2.250	I	RE18758	97.94
	BACKHOE CROWD	PRIOR-701219		93, 93A, 9305	4.000	2.000	I	AR105387	44.05
		701220-UP		9305	4.000	2.000	I	RE18741	95.76
	BACKHOE STABILIZER	ALL		93, 93A	3.500	1.750	I	RE18754	47.70
				9305	4.000	2.000	I	AR105387	44.05
	LOADER BOOM LIFT	ALL			6.250	2.750	I	RE18744	138.23
LOADER BUCKET TILT	ALL			4.500	2.250	I	AR105355	69.88	
LOADER CLAM	303-UP		drott 4-IN-1 bucket	4.000	2.000	I	JIC-G32299	41.92	
LUMBER CLAMP	ALL			5.250	2.250	I	AR105346	59.20	
STEERING	ALL		right hand cyl.	4.000	3.750	I	AT34932	38.71	
				4.000	3.750	I	AT34933	35.62	
644B	MULTI-PURPOSE	ALL			4.000	2.000	I	AR105387	44.05
	LOADER BOOM LIFT	ALL			6.250	2.750	I	RE18744	138.23
	LOADER BUCKET TILT	ALL			6.250	2.750	I	RE18744	138.23
	LUMBER CLAMP	ALL			5.250	2.250	I	AR105346	59.20
					4.000	2.000	I	AR105387	44.05
	STEERING	ALL		right hand cyl.	4.000	3.750	I	AT34932	38.71
		PRIOR-247612		left hand cyl.	4.000	3.750	I	AT34933	35.62
	247613-UP		left hand cyl.	4.000	3.750	I	AT34932	38.71	
644C	LOADER BOOM LIFT	505377-UP			6.250		I	RE14022	130.96
						2.750	I	RE16991	81.84
	LOADER BUCKET TILT	505377-UP			6.250		I	RE14022	130.96
	LUMBER FORK	ALL			4.000	2.000	I	AR105387	44.05
	MULTI-PUPOSE	ALL			4.000	2.000	I	AR105387	44.05
STEERING	ALL			3.500		I	RE17097	12.83	
					1.750	I	RE30874	28.27	
644D	LOADER BOOM LIFT	ALL			6.250		I	RE14022	130.96
						2.750	I	RE16991	81.84
	LOADER BUCKET TILT	ALL			6.250		I	RE14022	130.96
	LUMBER FORK	ALL			4.000	2.000	I	RE18733	37.12
	MULTI-PURPOSE	ALL			4.000	2.000	I	AR105387	44.05

All manufacturer's names, part numbers and descriptions are used for reference purposes only. We do not imply that any part shown is the product of these manufacturers.

INDUSTRIAL SEAL KITS

MOBILE SEAL KITS

JOHN DEERE

## ARTICULATED LOADER

## JOHN DEERE

Model	Application	Serial Number	Cylinder Group	Arrangement	Bore	Rod	I	Ref. Number RJD-	\$
							M		
<b>644E, 644ER</b>	STEERING	ALL			90.00	45.00	M	RE20430	46.99
							M	RE20434	56.33
	LOADER BOOM LIFT	ALL	AH136545, AH136546		160.00	80.00	M	RE25152	138.43
	LOADER BUCKET TILT	ALL	AH136549, AH136551			80.00	M	RE25152	138.43
<b>644G</b>	STEERING	ALL	RE24865		180.00	45.00	M	AH137211	125.40
					90.00		M	RE20434	56.33
							M	RE20430	46.99
	BOOM	ALL	AH139265		160.00	80.00	M	AH137210	109.32
<b>744E</b>	BUCKET	ALL	AH139266		180.00	80.00	M	AH137211	125.40
	STEERING	ALL	AH150098		90.00	45.00	M	RE25152	138.43
		ALL	RE24865		90.00	45.00	M	AH149843	65.31
						45.00	M	AH149813	58.22
	LOADER BOOM LIFT	ALL	AT137814, AT161735		170.00	95.00	M	AH149843	65.31
	LOADER BUCKET TILT	ALL	AT137796		200.00	100.00	M	RE20434	56.33
	STEERING	ALL	AT137406, AT158546		100.00	50.00	M	AT138138	271.72
							M	AT138137	343.58
<b>844</b>	LOADER BOOM LIFT	507993-510358			7.500	3.750	I	RE14033	160.24
		510359-UP			7.500	3.750	I	RE15708	101.48
	LOADER BUCKET TILT	508226-510358			7.500	3.750	I	RE14033	160.24
		510359-UP			7.500	3.750	I	RE21202	176.69
						3.750	I	RE14033	160.24
						3.750	I	RE15708	101.48
	STEERING	ALL			3.750	2.000	I	RE21202	176.69
							I	AR105381	42.50
<b>TC54H</b>	BOOM	PRIOR-570068	AH147533		115.00	63.00	M	AH163671	104.62
		570069-UP	AH163629		115.00	63.00	M	AH149815	58.32
		ALL	AH153921		110.00	70.00	M	AH163671	104.62
	BUCKET					63.00	M	AH149815	58.32
						70.00	M	AH149845	103.99
	STEERING	PRIOR-568522	AH147586		63.00	40.00	M	AH156466	53.60
		568523-UP	AH160118		63.00	40.00	M	AH153497	126.27
						40.00	M	AH161590	89.24
						M	AH149194	48.59	

All manufacturer's names, part numbers and descriptions are used for reference purposes only. We do not imply that any part shown is the product of these manufacturers.

Tel.: (418) 688-3202  
Fax: (418) 688-4272

**KITS 431**

[www.sealsonline.com](http://www.sealsonline.com)

INDUSTRIAL  
SEAL KITS

MOBILE  
SEAL KITS

JOHN DEERE

## JOHN DEERE

## GRADER

Model	Application	Serial Number	Cylinder Group	Arrangement	Bore	Rod	I	Ref. Number RJD-	\$
							M		
570, 570A, 570B	BLADE LIFT	ALL			3.000	1.750	I	RE18751	35.85
	BLADE PITCH	ALL			2.500	1.250	I	AR105453	34.92
	BLADE SIDESHIFT	ALL			2.500	1.500	I	RE19217	29.49
	CIRCLE SIDESHIFT	ALL			3.000	1.750	I	RE18751	35.85
	REAR STEERING	ALL			3.000	1.250	I	AR105454	37.49
	SCARIFIER & SNOW	ALL			4.000	1.750	I	RE10223	39.05
	PLOW LIFT								
	WHEEL LEAN	ALL			3.000	1.250	I	AR105454	37.49
670, 670A, 670B, 672A, 672B	BLADE LIFT	ALL			3.250	2.000	I	RE18747	42.79
	BLADE TILT	ALL			4.000	1.750	I	RE18736	41.55
	BLADE SIDESHIFT	ALL			3.500	1.500	I	RE18742	56.40
	CIRCLE SIDESHIFT	ALL			3.250	2.000	I	RE18747	42.79
	FRONT MOUNTED EQ.	ALL			5.000	2.000	I	RE18743	53.20
	FRONT STEERING	ALL			3.000	1.250	I	RE18750	29.41
	REAR STEERING	ALL		670, 670A, 672A	3.500	1.750	I	RE18754	47.70
				670B, 672B	90.00		M	RE20430	46.99
				670B, 672B		45.00	M	RE20434	56.33
	RIPPER	ALL			5.250	2.250	I	AR105346	59.20
	SCARIFIER	ALL			5.000	2.000	I	RE18743	53.20
WHEEL LEAN	ALL			4.000	2.000	I	RE18733	37.12	
770, 770A, 770B, 772A, 772B	BLADE LIFT	ALL			3.500	2.000	I	RE18748	45.98
	BLADE TILT	ALL			4.000	1.750	I	RE18736	41.55
	BLADE SIDESHIFT	ALL			3.500	1.500	I	RE18742	56.40
	BOWL LIFT	ALL			4.000	2.000	I	AR105387	44.05
	CIRCLE SIDESHIFT	ALL			3.500	1.750	I	RE18754	47.70
	FRONT MOUNTED EQ.	ALL			5.000	2.000	I	RE18743	53.20
	FRONT STEERING	ALL			3.000	1.250	I	RE18750	29.41
	REAR STEERING	ALL			4.000	2.000	I	RE18733	37.12
	RIPPER	ALL			5.250	2.250	I	AR105346	59.20
	SLIDING FLOOR	PRIOR-1000			4.500	2.250	I	AR105355	69.88
		1001-UP			4.500	2.250	I	AR105351	56.76
SCARIFIER	ALL			3.000	1.500	I	AR105722	38.93	
		ALL			5.000	2.000	I	RE18743	53.20
	WHEEL LEAN	ALL			4.000	2.000	I	RE18733	37.12

All manufacturer's names, part numbers and descriptions are used for reference purposes only. We do not imply that any part shown is the product of these manufacturers.

INDUSTRIAL SEAL KITS

MOBILE SEAL KITS

JOHN DEERE

## SCRAPER

## JOHN DEERE

INDUSTRIAL  
SEAL KITS

MOBILE  
SEAL KITS

JOHN DEERE

Model	Application	Serial Number	Cylinder Group	Arrangement	Bore	Rod	I	Ref. Number RJD-	\$
							M		
<b>760</b>	BOWL LIFT	ALL			4.000	2.000	I	AR105387	44.05
	SCARIFIER	ALL			3.000	1.500	I	AR105722	38.93
	SLIDING FLOOR	PRIOR-1000			4.500	2.250	I	AR105355	69.88
		1001-UP			4.500	2.250	I	AR105351	56.76
<b>760A</b>	BOWL LIFT	ALL			4.000	2.000	I	AR105387	44.05
	EJECTOR GATE	RE19217			2.500	1.500	I	RE19217	29.49
	SCARIFIER	ALL			3.000	1.500	I	AR105722	38.93
	SLIDING FLOOR	PRIOR-2505			4.500	2.250	I	AR105351	56.76
		2506-UP			5.000	2.250	I	RE18759	68.91
<b>762, 762A, 762B</b>	BOWL LIFT	ALL			4.500	2.000	I	RE18737	47.05
	EJECTOR GATE	ALL			2.500	1.500	I	RE19217	29.49
	FOLLOW-UP STEERING	ALL			1.000	0.500	I	AH65915	9.65
	SLIDING FLOOR	(762, 762A ONLY)			5.250	2.250	I	AR105346	59.20
		STEERING	ALL			3.500	2.000	I	RE18765
<b>860, 860A, 860B</b>	BOWL LIFT	ALL			5.000	2.000	I	RE18743	53.20
	EJECTOR GATE	ALL			3.000	1.750	I	RE18752	37.09
	FOLLOW-UP STEERING	ALL			1.750	0.688	I	AU43367	10.64
	SLIDING FLOOR	ALL			5.250	2.500	I	RE18746	56.76
	STEERING	ALL			4.000	2.000	I	RE18738	31.24
<b>862, 862B</b>	AXLE SUSPENSION	ALL			4.000		I	RE16118	77.40
	BOWL LIFT					2.000	I	RE16119	25.95
		ALL			5.000	2.000	I	RE18743	53.20
	EJECTOR GATE	PRIOR-4283			3.000	1.750	I	RE18752	37.09
	FOLLOW-UP STEERING	4284-UP			3.000	2.000	I	RE19218	43.09
		ALL (862 ONLY)			1.000	0.500	I	AH65915	9.65
	SLIDING FLOOR	ALL			5.250	2.500	I	RE18746	56.76
STEERING	ALL			4.000	2.000	I	RE18738	31.24	
<b>5010</b>	SLIDING FLOOR	ALL			4.500	2.000	I	AR105384	51.07
	EJECTOR GATE	ALL			2.500	1.500	I	AR99785	20.37
					2.500	1.500	I	RE19217	29.49
		ALL			4.000	2.000	I	AR105387	44.05
	SCARIFIER	ALL			3.000	1.500	I	AR105722	38.93

All manufacturer's names, part numbers and descriptions are used for reference purposes only. We do not imply that any part shown is the product of these manufacturers.

Tel.: (514) 334-2220  
Fax: (514) 333-8329

**KITS 433**

[www.sealsonline.com](http://www.sealsonline.com)

## JOHN DEERE

## COMPACTOR

Model	Application	Serial Number	Cylinder Group	Arrangement	Bore	Rod	I	Ref. Number RJD-	\$
							M		
<b>646, 646B</b>	BOOM LIFT	ALL			6.250	2.750	I	RE18744	138.23
	BUCKET TILT	PRIOR-223644			4.500	2.250	I	AR105355	69.88
		223645-UP			6.250	2.750	I	RE18744	138.23
	STEERING	PRIOR-247906		right hand cyl.	4.000	3.750	I	AT34932	38.71
		PRIOR-247906		left hand cyl.	4.000	3.750	I	AT34933	35.62
		247907-UP			4.000	3.750	I	AT34932	38.71
<b>646C</b>	MULTI-PURPOSE CLAM	PRIOR-223644		303-UP;drott cyl.	4.000	2.000	I	JIC-G32299	41.92
		223645-UP			4.000	2.000	I	AR105387	44.05
	BOOM LIFT	505144-UP			6.250		I	RE14022	130.96
						2.750	I	RE16991	81.84
	BUCKET TILT	505144-UP			6.250		I	RE14022	130.96
	STEERING	PRIOR-505143			3.750	1.750	I	RE16992	62.21
		505144-UP			3.750		I	AR105320	39.29
							I	RE17099	15.45
						1.750	I	RE16209	30.38
	MULTI-PURPOSE CLAM	ALL			4.000	2.000	I	AR105387	44.05

## CRAWLER EXCAVATOR

<b>70</b>	ARM		TH105922		100.00	60.00	M	TH106099	175.22
	BLADE		TH105913		90.00	55.00	M	TH110663	102.41
	BOOM		TH105921		115.00	65.00	M	TH111701	169.40
	BUCKET		TH105901		90.00	55.00	M	TH106853	232.90
<b>70D</b>	OFFSET BOOM		TH106736		110.00	60.00	M	TH106874	117.39
	OFFSET BOOM ARM		TH105901		100.00	60.00	M	TH106099	175.22
			TH106735						
	ARM	ALL	TH110528		100.00	60.00	M	TH110662	91.94
			TH110645						
	BLADE	ALL	TH110626		90.00	55.00	M	TH110663	102.41
	BOOM	ALL	TH110527		115.00	65.00	M	TH110661	147.05
	BUCKET	ALL	TH110529		90.00	55.00	M	TH110663	102.41
	OFFSET	ALL	TH110644		110.00	60.00	M	TH106874	117.39
<b>80</b>	ARM	ALL	AP36041		95.00	60.00	M	AT200549	147.00
	BOOM	ALL	AP36040		115.00	65.00	M	AT200548	194.87
	BUCKET	ALL	AT250786		85.00	55.00	M	AT200550	154.97
<b>110</b>	BUCKET	ALL	AH148041		95.00	65.00	M	AH150595	204.70
<b>120</b>	ARM	ALL	AH149792		110.00	80.00	M	AH149796	365.55
	BOOM (R & L)	ALL	AH153168, AH153169		105.00	70.00	M	AH151107	607.16
	BUCKET	ALL	AH148041		95.00	65.00	M	AH150595	204.70

All manufacturer's names, part numbers and descriptions are used for reference purposes only. We do not imply that any part shown is the product of these manufacturers.

INDUSTRIAL  
SEAL KITS

MOBILE  
SEAL KITS

JOHN DEERE

## CRAWLER EXCAVATOR

## JOHN DEERE

INDUSTRIAL  
SEAL KITS

MOBILE  
SEAL KITS

JOHN DEERE

Model	Application	Serial Number	Cylinder Group	Component	Bore	Rod	I	Ref. Number RJD-	\$
							M		
160 LC	ARM	ALL	AH155022		115.00	85.00	M	AH155025	308.56
	BOOM (R & L)	ALL	AH155042,		110.00	80.00	M	AH155045	335.75
		ALL	AH155051						
	BUCKET	ALL	AH155037		105.00	75.00	M	AH155040	451.87
190E	ARM		AT200453		95.00	60.00	M	AT200549	147.00
	BLADE		AT200491		80.00	50.00	M	AT200574	139.10
	BOOM		AT200542		115.00	65.00	M	AT200548	194.87
	BUCKET		AT182460		85.00	55.00	M	AT200550	154.97
	OFFSET BOOM		AT200507		105.00	60.00	M	AT200573	147.85
	OFFSET BOOM ARM		AT200518		95.00	60.00	M	AT200549	147.00
200 LC	ARM	ALL	AH148451		130.00	95.00	M	AH148453	342.31
	BOOM (R & L)	ALL	AH148782, AH148792		120.00	85.00	M	AH148785	284.74
	BUCKET	ALL	AH148761		110.00	75.00	M	AH148776	307.62
230 LC	ARM	ALL	AT154865	BUSHING	135.00	100.00	M	AT183658	178.42
				WEAR RING	135.00	100.00	M	AT131414	49.12
				WEAR RING	135.00		M	TH110033	37.55
				WEAR RING	135.00		M	AT154718	18.00
	BOOM (R & L )	ALL	AT154864	BUSHING	125.00	90.00	M	AT154867	232.96
				BUSHING	125.00	90.00	M	AT154779	31.56
				WEAR RING	125.00		M	AT154700	62.39
	BUCKET	ALL	AT182459	WEAR RING	125.00		M	AT154735	13.10
				WEAR RING	125.00	85.00	M	AT181250	136.77
				BUSHING	125.00	85.00	M	AT154778	32.74
WEAR RING				125.00		M	AT154735	13.10	
WEAR RING				125.00		M	AT154700	62.39	
290D	ARM	ALL	AT130515		105.00	70.00	M	AT130601	155.86
	BOOM	ALL	AT130512, AT130513		95.00	65.00	M	AT130600	135.23
	BUCKET	ALL	AT130514		95.00	60.00	M	AT130602	115.50
330 LC	BUCKET	ALL	AT250263	BUSHING	145.00	95.00	M	AT181792	154.49
				WEAR RING	145.00	95.00	M	AT131420	41.83
				WEAR RING	145.00		M	TH110063	20.87
				WEAR RING	145.00		M	TH110062	38.12
370	BUCKET	ALL	AT250263	BUSHING	145.00	95.00	M	AT181792	154.49
				BUSHING	145.00	95.00	M	AT131420	41.83
				WEAR RING	145.00		M	TH110063	20.87
				WEAR RING	145.00		M	TH110062	38.12
				WEAR RING	145.00		M	TH110062	38.12

All manufacturer's names, part numbers and descriptions are used for reference purposes only. We do not imply that any part shown is the product of these manufacturers.

Tel.: (905) 362-0889  
Fax: (888) 238-1664

**KITS 435**

[www.sealsonline.com](http://www.sealsonline.com)



## JOHN DEERE

## CRAWLER EXCAVATOR

Model	Application	Serial Number	Cylinder Group	Component	Bore	Rod	I	Ref. Number RJD-	\$			
							M					
450 LC	BUCKET LONG ARM	PRIOR-803512 803513-UP	AT182461	BUSHING	145.00	95.00	M	AT201185	269.17			
					145.00	95.00	M	AT181792	154.49			
		ALL		WEAR RING	95.00	M	AT131420	41.83				
		ALL		WEAR RING	145.00	M	TH110063	20.87				
		ALL		WEAR RING	145.00	M	TH110062	38.12				
490D	ARM	ALL	TH109346	BUSHING	115.00	80.00	M	TH109366	136.85			
				WEAR RING	115.00	80.00	M	T108041	29.46			
				WEAR RING	115.00		M	TH109356	11.33			
	BOOM			WEAR RING	105.00		M	TH109357	23.71			
				BUSHING	105.00	75.00	M	TH109339	119.59			
490E	BUCKET	ALL	TH109368	BUSHING	105.00	65.00	M	TH109324	98.85			
				WEAR RING	105.00		M	TH109323	36.11			
				WEAR RING	95.00	65.00	M	TH109390	124.13			
				BUSHING	95.00	65.00	M	TH109372	20.47			
				WEAR RING	95.00		M	TH109378	22.11			
	ARM			ALL	AT154402	AT154402	WEAR RING	110.00	80.00	M	AT177556	230.85
							BUSHING	110.00	80.00	M	T108041	29.46
							WEAR RING	110.00		M	AT153936	11.18
							WEAR RING	110.00		M	AT153830	46.35
							BOOM (R & L)	ALL	AT154396, AT154399	WEAR RING	105.00	70.00
BUCKET	ALL	AT154407	AT154407	BUSHING	105.00	70.00	M	AT133645	23.11			
				WEAR RING	105.00		M	TH109323	36.11			
				WEAR RING	105.00		M	TH109324	98.85			
				BUSHING	95.00	65.00	M	AT176737	178.42			
				WEAR RING	95.00	65.00	M	TH109372	20.47			
495D	ARM	ALL	AT127253	WEAR RING	95.00		M	TH109377	9.40			
				WEAR RING	95.00		M	TH109378	22.11			
				BUSHING	105.00	75.00	M	TH109339	119.59			
	BUCKET			ALL	AT182453	AT182453	WEAR RING	105.00	75.00	M	TH109311	25.57
							BUSHING	105.00		M	TH109324	98.85
590D	ARM	ALL	AT127249	WEAR RING	105.00	65.00	M	TH109390	124.13			
				WEAR RING	105.00	65.00	M	TH109372	20.47			
				BUSHING	120.00	85.00	M	TH109378	22.11			
				WEAR RING	120.00	85.00	M	TH109311	25.57			
				WEAR RING	120.00		M	TH109324	98.85			
	BOOM (R & L)	ALL	AT127250, AT127251	AT127250, AT127251	WEAR RING	120.00		M	TH109323	36.11		
					BUSHING	120.00		M	TH109324	98.85		
590D	BOOM (R & L)	ALL	AT127250, AT127251	AT127250, AT127251	WEAR RING	115.00	80.00	M	TH109372	20.47		
					BUSHING	115.00	80.00	M	TH109377	9.40		
					WEAR RING	120.00		M	AT192075	118.87		
					WEAR RING	120.00		M	T108019	32.74		
					BUSHING	120.00		M	TH104923	36.06		
590D	BOOM (R & L)	ALL	AT127250, AT127251	AT127250, AT127251	WEAR RING	120.00		M	T108046	12.28		
					BUSHING	120.00		M	AT194335	248.82		
					BUSHING	115.00	80.00	M	T108041	29.46		

All manufacturer's names, part numbers and descriptions are used for reference purposes only. We do not imply that any part shown is the product of these manufacturers.

INDUSTRIAL  
SEAL KITS

MOBILE  
SEAL KITS

JOHN DEERE

## CRAWLER EXCAVATOR

## JOHN DEERE

Model	Application	Serial Number	Cylinder Group	Component	Bore	Rod	I	Ref. Number RJD-	\$	
							M			
690, 690A	BOOM	PRIOR-749			4.500	2.750	I	RE18760	64.10	
		750-UP	AR89435		5.000	2.750	I	AR105309	71.33	
		ALL	RE21394			2.750	I	RE21395	124.40	
	BUCKET	CROWD (ARM)	ALL			5.500	3.250	I	AR105312	78.57
			all with AU43243, AT32257 cylinder	AT41907		5.500	3.250	I	AR105312	78.57
			all with AT41907 cyl. field replacement check piston style	AT41907		5.500	3.250	I	AR105313	76.44
						5.500		RE15907	120.86	
							3.250	RE15906	44.10	
	690B	BOOM	PRIOR-501306	AR89435		5.000	2.750	I	AR105309	71.33
501307-UP			RE12257		5.000		I	RE15905	99.12	
						2.750	I	RE17342	61.93	
all with RE21394 cyl. field replacement check piston style					5.000		I	RE15905	99.12	
						2.750	I	RE21395	124.40	
BUCKET			PRIOR-501306	RE11341		5.500	3.250	I	AR105312	78.57
			501307-UP	RE21400		5.500		I	RE14102	120.86
							3.250	I	RE15906	44.10
			all with RE21400 cyl. field replacement check piston style			5.500	3.250	I	RE21401	85.30
							RE14102	120.86		
CROWD (ARM)		PRIOR-501306	AT41907		5.500	3.250	I	AR105313	76.44	
		501307-UP	RE21406		5.500		I	RE15907	120.86	
						3.250	I	RE15906	44.10	
690C, 690 CH	ANGLING BOOM	ALL	AU13861		3.500	1.500	I	AR105432	37.32	
		PRIOR-509184	RE18949		5.000		I	RE15905	99.12	
						2.750	I	RE17342	61.93	
	BUCKET		509185-UP	RE21394		5.000		I	RE15905	99.12
							2.750	I	RE21395	124.40
			PRIOR-509184			5.500		I	RE14102	120.86
	CROWD (ARM)						3.250	I	RE15906	44.10
			509185-UP	RE21400		5.500		I	RE14102	120.86
							3.250	I	RE21401	85.30
			PRIOR-509184			5.500		I	RE15907	120.86
							3.250	I	RE15906	44.10
			509185-UP	RE21406		5.500		I	RE15907	120.86
LIFT TILT		ALL	AU13861		3.500	1.500	I	AR105432	37.32	
		ALL	AU13847		3.500	1.500	I	AR105432	37.32	

All manufacturer's names, part numbers and descriptions are used for reference purposes only. We do not imply that any part shown is the product of these manufacturers.

Tel.: (204) 783-9617  
Fax: (204) 783-6091

**KITS 437**

[www.sealsonline.com](http://www.sealsonline.com)

INDUSTRIAL SEAL KITS

MOBILE SEAL KITS

JOHN DEERE

## JOHN DEERE

## CRAWLER EXCAVATOR

Model	Application	Serial Number	Cylinder Group	Component	Bore	Rod	I	Ref. Number RJD-	\$
							M		
690B	ARM BOOM	ALL	AT114837	BUSHING	135.00	95.00	M	AT114831	182.12
		ALL	AT112705		125.00	85.00	M	AT114822	151.75
	BUCKET	ALL	AT114838		120.00	80.00	M	T108019	32.74
		ALL	AT182451		120.00	80.00	M	AT114836	139.68
					120.00		M	T108041	29.46
					120.00		M	TH104923	36.06
690E-LC	ARM BOOM (INCLUDES WEAR RINGS)	ALL	AH140590, AH144677	BUSHING	130.00	95.00	M	AH144595	284.52
			AH140588, AH140589,		120.00	85.00	M	H146481	35.55
			AH144671, AH144674		110.00	75.00	M	AH144593	318.19
	BUCKET (INCLUDES WEAR RINGS)	ALL	AH140587, AH142409, AH162295	BUSHING	75.00	75.00	M	H146479	25.57
			AT159611		95.00	65.00	M	AT176737	178.42
	BUCKET (SLF)	ALL	AT159611	BUSHING	65.00	65.00	M	TH109372	20.47
WEAR RING				95.00		M	TH109377	9.40	
WEAR RING				95.00		M	TH109378	22.11	
790	ARM BOOM		TH106316		150.00	105.00	M	TH102827	199.51
			TH106315		140.00	95.00	M	TH102798	206.44
	TH102467		140.00		90.00	M	TH102845	181.69	
	AT182467 TH106317								
790D	ARM	ALL	TH110043, AT131428	WEAR RING	145.00	100.00	M	TH110064	201.15
					145.00		M	TH110063	20.87
					145.00		M	TH110062	38.12
	ARM (SLF)	ALL	AT114837	BUSHING	135.00	95.00	M	AT114831	182.12
					95.00	M	T108050	35.55	
	BOOM	ALL	AT131425	WEAR RING	135.00	90.00	M	TH110035	187.70
135.00						M	TH110033	37.55	
135.00						M	TH110035	187.70	
790E, 790E LC	BUCKET	ALL	AT131430	WEAR RING	135.00	90.00	M	TH110033	37.55
					135.00		M	TH110035	187.70
					135.00		M	TH110033	37.55
	ARM	PRIOR-HJ900100 HJ900101-UP	AT154865		135.00	100.00	M	AT154868	169.83
					135.00	100.00	M	AT183658	178.42
					135.00	100.00	M	AT217906	296.70
	ARM (SLF)	ALL	AT154865	BUSHING	100.00	100.00	M	AT131414	49.12
					135.00		M	AT154718	18.00
135.00						M	TH110033	37.55	
ARM (SLF)	ALL	AT161589	WEAR RING	145.00	105.00	M	AT176734	263.37	
				105.00	M	AT161596	41.90		

All manufacturer's names, part numbers and descriptions are used for reference purposes only. We do not imply that any part shown is the product of these manufacturers.

INDUSTRIAL  
SEAL KITS

MOBILE  
SEAL KITS

JOHN DEERE

## CRAWLER EXCAVATOR

## JOHN DEERE

INDUSTRIAL  
SEAL KITS

MOBILE  
SEAL KITS

JOHN DEERE

Model	Application	Serial Number	Cylinder Group	Component	Bore	Rod	I	Ref. Number RJD-	\$
							M		
	BOOM		AT154864	WEAR RING	145.00		M	AT161608	47.39
				WEAR RING	145.00		M	AT161607	15.83
					125.00	90.00	M	AT154867	232.96
				BUSHING		90.00	M	AT154779	31.56
				WEAR RING	125.00		M	AT154700	62.39
				WEAR RING	125.00		M	AT154735	13.10
	BUCKET	ALL	AT182459		125.00	85.00	M	AT181250	136.77
				BUSHING		85.00	M	AT154778	32.74
				WEAR RING	125.00		M	AT154700	62.39
				WEAR RING	125.00		M	AT154735	13.10
	BUCKET (SLF)	ALL	AT159611		95.00	65.00	M	AT176737	178.42
				BUSHING		65.00	M	TH109372	20.47
<b>792</b>	ARM BOOM		TH106313 TH102340 TH106312	WEAR RING	95.00		M	TH109377	9.40
				WEAR RING	95.00		M	TH109378	22.11
					160.00	110.00	M	TH103347	228.15
					150.00	100.00	M	AT194457	199.88
	BUCKET		AT182466 TH106314		150.00	95.00	M	TH103357	200.33
<b>792D, 792D LC</b>	ARM BOOM		AT205924 AT205923		150.00	105.00	M	TH111854	266.00
					145.00	95.00	M	TH111625	250.44
				BUSHING		95.00	M	AT131420	41.83
<b>892D LC</b>	BUCKET	PRIOR-803512 803513-UP ALL	AT205925 AT205925	WEAR RING	145.00		M	TH110062	38.12
					145.00	95.00	M	TH111625	250.44
					145.00	95.00	M	AT181792	154.49
			95.00	M	AT131420	41.83			
				M	TH110062	38.12			
		ARM	PRIOR-703549 703550-UP ALL	AT131416		165.00	110.00	M	TH111627
	ARM (SLF) BOOM, LEFT BOOM, RIGHT BUCKET	PRIOR-703549 703550-UP ALL PRIOR-603426 603427-UP PRIOR-503424 503425-UP PRIOR-803512 803513-UP ALL	TH111616		165.00	110.00	M	TH111627	296.28
					165.00	110.00	M	AT181799	222.31
				BUSHING		110.00	M	AT131417	79.65
				WEAR RING	165.00		M	TH111273	24.55
				WEAR RING	165.00		M	TH111274	80.74
					165.00	110.00	M	TH111627	296.28
	ARM (SLF) BOOM, LEFT BOOM, RIGHT BUCKET	ALL PRIOR-603426 603427-UP PRIOR-503424 503425-UP PRIOR-803512 803513-UP ALL	AT130835 AT131413		165.00	110.00	M	AT181799	222.31
				BUSHING		110.00	M	AT131417	79.65
				WEAR RING	165.00		M	TH111273	24.55
				WEAR RING	165.00		M	TH111274	80.74
					150.00	105.00	M	TH111854	266.00
					145.00	100.00	M	TH111626	252.51
					145.00	100.00	M	AT181794	182.72
					145.00	100.00	M	TH111626	252.51
					145.00	100.00	M	AT181794	182.72
					145.00	95.00	M	TH111625	250.44
		95.00	M	AT181792	154.49				
			M	AT131420	41.83				

All manufacturer's names, part numbers and descriptions are used for reference purposes only. We do not imply that any part shown is the product of these manufacturers.

**Tel.: (780) 414-1871**  
**Fax: (780) 487-5419**

**KITS 439**

**www.sealsonline.com**

## JOHN DEERE

## CRAWLER EXCAVATOR

Model	Application	Serial Number	Cylinder Group	Component	Bore	Rod	I	Ref. Number RJD-	\$
							M		
892E LC	ARM	PRIOR-703549 703550-UP ALL	AT201181	WEAR RING	145.00		M	TH110062	38.12
				WEAR RING	145.00	M	TH110063	20.87	
					165.00	110.00	M	AT201184	333.60
					165.00	110.00	M	AT181799	222.31
				BUSHING		110.00	M	AT131417	79.65
	BOOM (LH) BOOM (RH)	PRIOR-603426 603427-UP PRIOR-503424 503425-UP	AT201180 AT201180	WEAR RING	165.00		M	TH111273	24.55
				WEAR RING	165.00	M	TH111274	80.74	
					145.00	100.00	M	TH111626	252.51
					145.00	100.00	M	AT181794	182.72
					145.00	100.00	M	TH111626	252.51
BOOM BUCKET BUCKET (SLF)	ALL PRIOR-803512 803513-UP ALL 011000-UP	AT201180 AT182461, AT201182 AT168750	BUSHING		100.00	M	AT131414	49.12	
			WEAR RING	145.00	M	TH110062	38.12		
			WEAR RING	145.00	M	TH110063	20.87		
				145.00	95.00	M	AT201185	269.17	
				145.00	95.00	M	AT181792	154.49	
			BUSHING		95.00	M	AT131420	41.83	
			WEAR RING	145.00	M	TH110062	38.12		
			WEAR RING	145.00	M	TH110063	20.87		
				100.00	65.00	M	AT168764	157.65	
			BUSHING		65.00	M	TH109372	20.47	
WEAR RING	100.00	M	TH111727	10.48					
WEAR RING	100.00	M	TH111728	42.46					
992D, 992D LC	ARM		AT131955		190.00	130.00	M	AT132412	306.92
			AT132310		190.00	130.00	M	AT132412	306.92
	BOOM		AT131954		170.00	115.00	M	AT132411	286.56
			AT132280						
	BUCKET 2.9M OR 3.9M ARM		AT132280 AT182457		170.00	115.00	M	AT132411	286.56
			AT132280						
BUCKET 4.9M ARM		AT182455		145.00	95.00	M	AT181792	154.49	
				145.00	95.00	M	TH111625	250.44	
			BUSHING		95.00	M	AT131420	41.83	
			WEAR RING	145.00	M	TH110062	38.12		
			WEAR RING	145.00	M	TH110063	20.87		
992E, 992E LC	BUCKET 4.9M ARM	PRIOR-803512 803513-UP ALL	AT182461		145.00	95.00	M	AT201185	269.17
					145.00	95.00	M	AT181792	154.49
				BUSHING		95.00	M	AT131420	41.83
				WEAR RING	145.00	M	TH110062	38.12	
				WEAR RING	145.00	M	TH110063	20.87	

All manufacturer's names, part numbers and descriptions are used for reference purposes only. We do not imply that any part shown is the product of these manufacturers.

INDUSTRIAL  
SEAL KITS

MOBILE  
SEAL KITS

JOHN DEERE

## FELLER-BUNCHER

## JOHN DEERE

INDUSTRIAL  
SEAL KITS

MOBILE  
SEAL KITS

JOHN DEERE

Model	Application	Serial Number	Cylinder Group	Arrangement	Bore	Rod	I	Ref. Number RJD-	\$	
							M			
<b>493D</b>	ARM	ALL	TH109346		115.00	80.00	M	TH109366	136.85	
	BOOM	ALL	TH109307		105.00	75.00	M	TH109339	119.59	
	BUCKET	ALL	TH109368		95.00	65.00	M	TH109390	124.13	
<b>653E</b>	ARM		AH142919		120.00	85.00	M	AH144594	340.82	
	BOOM		AH142577		120.00	85.00	M	AH144594	340.82	
	HEAD TILT		AH144660		110.00	75.00	M	AH144593	318.19	
<b>693B</b>	BOOM	PRIOR-501444			5.000	2.750	I	AR105309	71.33	
		501445-UP			5.000		I	RE15905	99.12	
							2.750	I	RE17342	61.93
	CROWD	501445-UP, USE WITH RE21394 CYL.				5.000		I	RE15905	99.12
		PRIOR-501444				5.500	3.250	I	AR105313	76.44
		501445-UP				5.500		I	RE15907	120.86
	MULTI-STEM SHEAR	ALL				4.000	1.750	I	AT55695	26.69
		ALL				6.500	2.500	I	AR105280	141.27
		ALL				4.500	2.250	I	AR105355	69.88
	SHEAR TILT	PRIOR-501444				5.500	3.250	I	AR105312	78.57
		501445-UP				5.500		I	RE14102	120.86
			501307-UP, USE WITH RE21400 CYL.			5.500		I	RE14102	120.86
						3.250	I	RE21401	85.30	
							I	RE15906	44.10	
<b>693C</b>	BOOM	PRIOR-509184			5.000		I	RE15905	99.12	
		509185-UP			5.000	2.750	I	RE17342	61.93	
							2.750	I	RE15905	99.12
	HEAD TILT	PRIOR-509184				5.500		I	RE21395	124.40
							3.250	I	RE14102	120.86
							3.250	I	RE15906	44.10
		509185-UP			5.500		I	RE14102	120.86	
						3.250	I	RE21401	85.30	
<b>693D</b>	ARM	ALL	AT112705		125.00	85.00	M	AT114822	151.75	
	BOOM	ALL	AT112705		125.00	85.00	M	AT114822	151.75	
	BUCKET	ALL	AT114838		120.00	80.00	M	AT114836	139.68	
<b>743, 743A</b>	AXLE STABILIZER	ALL			4.500	2.000	I	AR105515	91.57	
	DOZER LIFT	ALL			5.000	2.000	I	RE18743	53.20	
		field replacement check piston style			5.000		I	RE15905	99.12	
	FEED ROLL	ALL			2.500	1.250	I	RE30817	31.64	
	GRAPPLE	ALL			4.000	1.750	I	AR105453	34.92	
							AT55695	26.69		

All manufacturer's names, part numbers and descriptions are used for reference purposes only. We do not imply that any part shown is the product of these manufacturers.

Tel.: (403) 279-1871  
Fax: (403) 279-1821

**KITS 441**

[www.sealsonline.com](http://www.sealsonline.com)

## JOHN DEERE

## FELLER-BUNCHER

Model	Application	Serial Number	Cylinder Group	Arrangement	Bore	Rod	I	Ref. Number RJD-	\$
							M		
793D	LOG ACCUMULATOR	ALL			3.000	1.750	I	RE18751	35.85
	MAIN LIFT	ALL			6.250	3.250	I	RE18762	135.14
	SECONDARY LIFT	ALL			4.500	2.500	I	RE18760	64.10
	SHEAR	ALL			6.500	2.500	I	AR105280	141.27
	STEERING	ALL			4.400	4.250	I	RE19224	46.95
	TILT	ALL			4.500	2.250	I	AR105355	69.88
	ARM	ALL	AT131425			135.00	90.00	M	TH110035
BOOM	ALL	AT131425			135.00	90.00	M	TH110035	187.70
BUCKET	ALL	AT131430			135.00	90.00	M	TH110035	187.70
<b>SKIDDER</b>									
340D	BLADE LIFT	ALL			3.500	1.500	I	RE16076	75.03
						1.500	I	RE14088	24.82
	STEERING	ALL			2.750	1.750	I	AR105537	41.90
440, 440A, 440B	BACKHOE BOOM	ALL			4.500	2.250	I	RE10640	52.35
	BACKHOE BUCKET	ALL			3.500	2.250	I	RE18757	51.39
	BACKHOE CROWD	ALL			4.000	2.000	I	AR105387	44.05
	BACKHOE STABILIZER	ALL		93, 93A	3.500	1.750	I	RE18754	47.70
				95, 95A	3.000	1.750	I	RE18751	35.85
FRONT BLADE	ALL			3.000	1.500	I	AR105722	38.93	
	STEERING	ALL		right hand cyl.	3.000	2.625	I	AT38068	40.45
				left hand cyl.	3.000	2.625	I	AT39022	20.44
440C SKIDDER/ GRAPPLE SKIDDER	BLADE LIFT	PRIOR-282545			3.000	1.500	I	AR105722	38.93
		282546-UP			3.000		I	RE14082	68.66
						1.500	I	RE14088	24.82
	BOOM	ALL			4.000	2.000	I	AR105387	44.05
						4.000	I	RE16118	77.40
440D, 448 SKIDDER/ GRAPPLE SKIDDER	GRAPPLE	PRIOR-405023			5.250	2.250	I	AR105346	59.20
		405024-UP			5.250		I	RE14100	104.76
						2.250	I	RE14208	37.11
	STEERING	PRIOR-400823			3.250	3.000	I	RE19216	42.50
		400824-UP			2.750	1.750	I	AR105537	41.90
	ARCH & BOOM	ALL		448D	4.000		I	RE16118	77.40
				448D		2.000	I	RE16119	25.95
	BLADE LIFT	ALL			3.500		I	RE16076	75.03
						1.500	I	RE14088	24.82
	GRAPPLE	PRIOR-501505		448D	5.250	2.250	I	AR105346	59.20
	501506-UP		448D	5.250		I	RE14100	104.76	

All manufacturer's names, part numbers and descriptions are used for reference purposes only. We do not imply that any part shown is the product of these manufacturers.

INDUSTRIAL SEAL KITS

MOBILE SEAL KITS

JOHN DEERE

## SKIDDER

## JOHN DEERE

Model	Application	Serial Number	Cylinder Group	Arrangement	Bore	Rod	I	Ref. Number RJD-	\$
							M		
540A	STEERING	ALL		448D	2.250	2.250	I	RE14208	37.11
					2.750	1.750	I	AR105537	41.90
	FRONT BLADE	PRIOR-119500, PRIOR-40399 119501-UP, 40400-UP			3.000	1.500	I	AR105722	38.93
					3.500	1.500	I	AR105432	37.32
540B	STEERING	ALL		left hand cyl. right hand cyl.	3.250	3.000	I	AT39023	45.48
					3.250	3.000	I	AT35142	63.67
	BLADE LIFT	PRIOR-500808 500809-UP			3.500	1.500	I	AR105432	37.32
					3.500		I	RE16076	75.03
BOOM	PRIOR-500808 500809-UP			4.000	2.000	I	AR105387	44.05	
				4.000		I	RE16118	77.40	
GRAPPLE	GRAPPLE	PRIOR-501541 501542-UP			5.250	2.250	I	AR105346	59.20
					5.250		I	RE14100	104.76
	STEERING	PRIOR-400571 400572-UP			3.250	3.000	I	RE14208	37.11
					2.750	1.750	I	RE19216	42.50
540D, 548D GRAPPLE SKIDDER	BLADE LIFT	ALL			3.500		I	AR105537	41.90
						1.500	I	RE16076	75.03
	BOOM	ALL			548D	4.000	I	RE14088	24.82
					548D	2.000	I	RE16118	77.40
GRAPPLE	ALL			548D	5.250	I	RE16119	25.95	
				548D	2.250	I	RE14100	104.76	
640 SKIDDER/ GRAPPLE SKIDDER	ARCH & BOOM	PRIOR-500986 500987-UP			4.000	2.000	I	RE14208	37.11
					4.000		I	AR105537	41.90
	BLADE LIFT	PRIOR-500986 500987-UP			4.000	1.750	I	RE10223	39.05
					4.000		I	RE16118	77.40
BOOM- SINGLE FUNCTION GRAPPLE	ALL				4.000	1.750	I	RE30874	28.27
							I	RE14567	79.55
	PRIOR-502132 502133-UP				5.500	2.000	I	RE16119	25.95
					5.500	2.500	I	RE10224	76.84
STEERING	ALL				5.500		I	RE14102	120.86
					3.625	2.500	I	RE17345	45.48
					3.375	3.375	I	AU42200	34.49

All manufacturer's names, part numbers and descriptions are used for reference purposes only. We do not imply that any part shown is the product of these manufacturers.

Tel.: (604) 278-6808  
Fax: (604) 278-6180

**KITS 443**

[www.sealsonline.com](http://www.sealsonline.com)

INDUSTRIAL  
SEAL KITS

MOBILE  
SEAL KITS

JOHN DEERE



## JOHN DEERE

## SKIDDER

Model	Application	Serial Number	Cylinder Group	Arrangement	Bore	Rod	I	Ref. Number RJD-	\$
							M		
	TILT	PRIOR-503561 503562-UP			4.500	2.250	I	AR105355	69.88
					4.500		I	RE14094	80.28
						2.250	I	RE14208	37.11
<b>640D, 648 GRAPPLE SKIDDER</b>	ARCH & BOOM	ALL		648D	4.000		I	RE16118	77.40
				648D		2.000	I	RE16119	25.95
	BLADE SHIFT	ALL			4.000		I	RE16118	77.40
						1.750	I	RE30874	28.27
	BOOM-SINGLE FUNCTION	ALL		648D	4.000		I	RE14567	79.55
				648D		2.000	I	RE16119	25.95
<b>740, 740A</b>	GRAPPLE	ALL		648D	5.500		I	RE14102	120.86
				648D		2.500	I	RE17345	45.48
	STEERING	ALL			3.000		I	RE16208	67.76
						1.750	I	RE16209	30.38
	TILT	ALL			4.500		I	RE14094	80.28
						2.250	I	RE14208	37.11
	ARCH & BOOM	PRIOR-708051 708052-UP		740, 740A	4.250	2.000	I	AR105391	47.32
				740A	4.250		I	RE17458	81.84
				740A		2.000	I	RE30817	31.64
GRAPPLE	PRIOR-708051 708052-UP		740, 740A	6.250	2.750	I	RE18744	138.23	
			740A	6.250		I	RE14104	124.40	
			740A		2.750	I	RE17342	61.93	
	LIFT	PRIOR-708051 708052-UP		740, 740A	5.000	2.000	I	RE18743	53.20
				740A	5.000		I	RE15905	99.12
				740A		2.000	I	RE30817	31.64
	STEERING	ALL			4.400	4.250	I	RE19224	46.95
	TILT	PRIOR-708051 708052-UP		740, 740A	4.500	2.250	I	AR105355	69.88
				740A	4.500		I	RE14094	80.28
				740A		2.250	I	RE14208	37.11
<b>3605 GRAPPLE</b>	BOOM	10201-UP			3.500	1.750	I	RE18754	47.70
	GRAPPLE	10201-UP			3.500	1.750	I	RE18754	47.70

All manufacturer's names, part numbers and descriptions are used for reference purposes only. We do not imply that any part shown is the product of these manufacturers.

INDUSTRIAL SEAL KITS

MOBILE SEAL KITS

JOHN DEERE

## KIT LISTING

## JOHN DEERE

INDUSTRIAL SEAL KITS

MOBILE SEAL KITS

JOHN DEERE

Ref. Number	Desc.	Bore	Rod	\$	Ref. Number	Desc.	Bore	Rod	\$
RJD-18751	SEAL KIT	3.000	1.750	31.70	RJD-AH210484	SEAL KIT		50.00	40.35
RJD-905000	Track Adjuster Kit			21.44	RJD-AH212089	SEAL KIT	70.00		37.39
RJD-905001	Track Adjuster Kit			55.19	RJD-AH212090	SEAL KIT	70.00		9.74
RJD-905002	Track Adjuster Kit			23.24	RJD-AH212096	SEAL KIT	90.00		66.72
RJD-905003	Track Adjuster Kit			36.83	RJD-AH212101	SEAL KIT	100.00		80.15
RJD-AH134477	SEAL KIT		63.00	101.01	RJD-AH65915	SEAL KIT	1.000	0.500	9.65
RJD-AH134955	SEAL KIT	90.00		13.70	RJD-AR105272	SEAL KIT	3.000	1.500	24.39
RJD-AH137208	SEAL KIT	125.00		127.94	RJD-AR105273	SEAL KIT	5.500	2.500	106.49
RJD-AH137209	SEAL KIT	140.00		141.41	RJD-AR105275	SEAL KIT	5.500	2.500	46.65
RJD-AH137210	SEAL KIT	160.00		109.32	RJD-AR105280	SEAL KIT	6.500	2.500	141.27
RJD-AH137211	SEAL KIT	180.00		125.40	RJD-AR105281	SEAL KIT	5.500	2.500	76.14
RJD-AH137687	SEAL KIT	100.00		69.03	RJD-AR105309	SEAL KIT	5.000	2.750	71.33
RJD-AH137789	SEAL KIT	2.000		6.00	RJD-AR105312	SEAL KIT	5.500	3.250	78.57
RJD-AH139417	SEAL KIT	2.250	2.250	38.93	RJD-AR105313	SEAL KIT	5.500	3.250	76.44
RJD-AH139418	SEAL KIT	4.250	2.250	50.27	RJD-AR105320	SEAL KIT	3.750	1.750	39.29
RJD-AH142089	SEAL KIT		70.00	144.98	RJD-AR105346	SEAL KIT	5.250	2.250	59.20
RJD-AH142440	SEAL KIT		2.50	43.23	RJD-AR105350	USE RJD-RE18759			68.91
RJD-AH144593	SEAL KIT	110.00	75.00	318.19	RJD-AR105351	SEAL KIT	4.500	2.250	56.76
RJD-AH144594	SEAL KIT	120.00	85.00	340.82	RJD-AR105352	USE RJD-RE10640			52.35
RJD-AH144595	SEAL KIT	130.00	95.00	284.52	RJD-AR105353	USE RJD-AR105355			55.82
RJD-AH148164	SEAL KIT		50.00	41.96	RJD-AR105354	USE RJD-RE18757			51.39
RJD-AH148453	SEAL KIT	130.00	95.00	342.31	RJD-AR105355	SEAL KIT	4.500	2.250	69.88
RJD-AH148776	SEAL KIT	110.00	75.00	307.62	RJD-AR105356	SEAL KIT	5.250	2.250	65.07
RJD-AH148785	SEAL KIT	120.00	85.00	284.74	RJD-AR105381	SEAL KIT	3.750	2.000	42.50
RJD-AH148823	SEAL KIT		32.00	40.48	RJD-AR105384	SEAL KIT	4.500	2.000	51.07
RJD-AH149194	SEAL KIT		40.00	48.59	RJD-AR105385	SEAL KIT	5.000	2.000	46.76
RJD-AH149796	SEAL KIT	110.00	80.00	365.55	RJD-AR105387	SEAL KIT	4.000	2.000	44.05
RJD-AH149813	SEAL KIT		45.00	58.22	RJD-AR105391	SEAL KIT	4.250	2.000	47.32
RJD-AH149814	SEAL KIT		56.00	53.15	RJD-AR105392	SEAL KIT	3.500	2.000	38.55
RJD-AH149815	SEAL KIT		63.00	58.32	RJD-AR105393	SEAL KIT	4.000	2.000	55.66
RJD-AH149842	SEAL KIT	80.00		65.84	RJD-AR105402	SEAL KIT	3.250	1.750	38.95
RJD-AH149843	SEAL KIT	90.00		65.31	RJD-AR105403	SEAL KIT	2.750	1.750	42.09
RJD-AH149844	SEAL KIT	100.00		82.44	RJD-AR105404	USE RJD-RE19220			37.95
RJD-AH149845	SEAL KIT	110.00		103.99	RJD-AR105407	USE RJD-RE18754			47.70
RJD-AH149846	SEAL KIT	115.00		116.25	RJD-AR105408	SEAL KIT	4.000	1.750	45.20
RJD-AH149848	SEAL KIT	125.00		163.76	RJD-AR105410	USE RJD-RE10223			39.05
RJD-AH150595	SEAL KIT	95.00	65.00	204.70	RJD-AR105412	SEAL KIT	4.000	1.750	60.91
RJD-AH151107	SEAL KIT	105.00	70.00	607.16	RJD-AR105429	SEAL KIT	3.250	1.500	35.28
RJD-AH153497	SEAL KIT	63.00	40.00	126.27	RJD-AR105430	SEAL KIT	2.750	1.500	32.66
RJD-AH154570	SEAL KIT		75.00	66.39	RJD-AR105432	SEAL KIT	3.500	1.500	37.32
RJD-AH155025	SEAL KIT	115.00	85.00	308.56	RJD-AR105441	SEAL KIT	4.500	2.500	73.05
RJD-AH155040	SEAL KIT	105.00	75.00	451.87	RJD-AR105443	SEAL KIT	5.500	2.500	104.51
RJD-AH155045	SEAL KIT	110.00	80.00	335.75	RJD-AR105453	SEAL KIT	2.500	1.250	34.92
RJD-AH156466	SEAL KIT		70.00	53.60	RJD-AR105454	SEAL KIT	3.000	1.250	37.49
RJD-AH161590	SEAL KIT	63.00		89.24	RJD-AR105515	SEAL KIT	4.500	2.000	91.57
RJD-AH161781	SEAL KIT	100.00		22.81	RJD-AR105537	SEAL KIT	2.750	1.750	41.90
RJD-AH163671	SEAL KIT	115.00		104.62	RJD-AR105722	SEAL KIT	3.000	1.500	38.93
RJD-AH202070	SEAL KIT	70.00		9.74	RJD-AR105932	SEAL KIT	3.500	2.000	38.55

All manufacturer's names, part numbers and descriptions are used for reference purposes only. We do not imply that any part shown is the product of these manufacturers.

**Tel.: (418) 688-3202**  
**Fax: (418) 688-4272**

**KITS 445**

**www.sealsonline.com**

## JOHN DEERE

## KIT LISTING

Ref. Number	Desc.	Bore	Rod	\$	Ref. Number	Desc.	Bore	Rod	\$
RJD-AR95509	SEAL KIT	7.500	3.750	347.65	RJD-AT200549	SEAL KIT	95.00	60.00	147.00
RJD-AR96526	SEAL KIT	4.000	2.500	69.08	RJD-AT200550	SEAL KIT	85.00	55.00	154.97
RJD-AR96532	SEAL KIT	2.250	1.750	24.07	RJD-AT200573	SEAL KIT	105.00	60.00	147.85
RJD-AR98255	SEAL KIT	5.500	2.625	109.32	RJD-AT200574	SEAL KIT	80.00	50.00	139.10
RJD-AR99785	SEAL KIT	2.500	1.500	20.37	RJD-AT201184	SEAL KIT	165.00	110.00	333.60
RJD-AT101337	SEAL KIT	2.500	1.250	59.90	RJD-AT201185	SEAL KIT	145.00	95.00	269.17
RJD-AT108329	SEAL KIT	60.00	32.00	42.65	RJD-AT205923	SEAL KIT	145.00	95.00	242.89
RJD-AT114822	SEAL KIT	125.00	85.00	151.75	RJD-AT217906	SEAL KIT	135.00	100.00	296.70
RJD-AT114831	SEAL KIT	135.00	95.00	182.12	RJD-AT33350	USE RJD-AR105402			38.95
RJD-AT114836	SEAL KIT	120.00	80.00	139.68	RJD-AT33351	USE RJD-AR105429			35.28
RJD-AT119302	SEAL KIT		2.500	32.25	RJD-AT34930	USE RJD-RE18744			99.18
RJD-AT119307	SEAL KIT	4.000		28.65	RJD-AT34932	SEAL KIT	4.000	3.750	38.71
RJD-AT120007	SEAL KIT	7.000		127.77	RJD-AT34933	SEAL KIT	4.000	3.750	35.62
RJD-AT120008	SEAL KIT		4.000	76.27	RJD-AT35142	SEAL KIT	3.250	3.000	63.67
RJD-AT121499	SEAL KIT	65.00	35.00	111.30	RJD-AT35678	USE RJD-AR105381			42.50
RJD-AT121500	SEAL KIT	110.00	60.00	141.50	RJD-AT35775	USE RJD-RE18759			54.44
RJD-AT121501	SEAL KIT	120.00	65.00	143.68	RJD-AT35932	USE RJD-AR105430			32.68
RJD-AT122564	SEAL KIT	110.00	60.00	123.86	RJD-AT35934	USE RJD-RE19217			29.49
RJD-AT122580	SEAL KIT	60.00	35.00	88.29	RJD-AT35935	USE RJD-AR105453			34.92
RJD-AT130600	SEAL KIT	95.00	65.00	135.23	RJD-AT35939	USE RJD-RE18739			56.57
RJD-AT130601	SEAL KIT	105.00	70.00	155.86	RJD-AT35940	USE RJD-RE19222			35.08
RJD-AT130602	SEAL KIT	95.00	60.00	115.50	RJD-AT36404	USE RJD-AR105384			51.07
RJD-AT132411	SEAL KIT	170.00	115.00	286.56	RJD-AT36452	USE RJD-AR105441			73.05
RJD-AT132412	SEAL KIT	190.00	130.00	306.92	RJD-AT36453	USE RJD-AR96526			69.08
RJD-AT138119	SEAL KIT	100.00	50.00	158.31	RJD-AT36454	USE RJD-AR105443			109.20
RJD-AT138137	SEAL KIT	200.00	100.00	343.58	RJD-AT36829	USE RJD-RE18751			35.85
RJD-AT138138	SEAL KIT	170.00	95.00	271.72	RJD-AT36830	USE RJD-RE18755			38.45
RJD-AT142582	SEAL KIT	3.000	2.000	44.02	RJD-AT36831	USE RJD-AR105355			52.33
RJD-AT154867	SEAL KIT	125.00	90.00	232.96	RJD-AT36833	USE RJD-RE18757			48.67
RJD-AT154868	SEAL KIT	135.00	100.00	169.83	RJD-AT36835	USE RJD-RE18730			41.33
RJD-AT168764	SEAL KIT	100.00	65.00	157.65	RJD-AT36908	USE RJD-RE18746			56.76
RJD-AT176705	SEAL KIT	115.00	80.00	235.19	RJD-AT36910	USE RJD-RE18738			31.24
RJD-AT176734	SEAL KIT	145.00	105.00	263.37	RJD-AT36911	USE RJD-RE18752			37.09
RJD-AT176737	SEAL KIT	95.00	65.00	178.42	RJD-AT37322	USE RJD-AR105312			78.57
RJD-AT176822	SEAL KIT	105.00	70.00	166.12	RJD-AT37323	USE RJD-AR105309			71.31
RJD-AT177556	SEAL KIT	110.00	80.00	230.85	RJD-AT37347	USE RJD-AR96532			24.07
RJD-AT180161	SWIVEL KIT 3.625"			133.21	RJD-AT38068	SEAL KIT	3.000	2.625	40.45
RJD-AT181250	SEAL KIT	125.00	85.00	136.77	RJD-AT38582	USE RJD-RE18732			40.18
RJD-AT181792	SEAL KIT	145.00	95.00	154.49	RJD-AT38583	USE RJD-RE13277			82.80
RJD-AT181794	SEAL KIT	145.00	100.00	182.72	RJD-AT39022	SEAL KIT	3.000	2.625	20.44
RJD-AT181799	SEAL KIT	165.00	110.00	222.31	RJD-AT39023	SEAL KIT	3.250	3.000	45.48
RJD-AT183658	SEAL KIT	135.00	100.00	178.42	RJD-AT41687	SEAL KIT	2.250	1.250	32.69
RJD-AT192075	SEAL KIT	120.00	85.00	118.87	RJD-AT41688	SEAL KIT	2.250	1.500	30.26
RJD-AT194335	SEAL KIT	115.00	80.00	248.82	RJD-AT42765	USE RJD-AR105454			37.49
RJD-AT194457	SEAL KIT	150.00	100.00	199.88	RJD-AT43470	USE RJD-AR105313			76.44
RJD-AT196466	SEAL KIT	125.00	90.00	348.73	RJD-AT49348	USE RJD-AR105356			61.39
RJD-AT196469	SEAL KIT	95.00	65.00	208.80	RJD-AT52702	USE RJD-RE18748			46.08
RJD-AT200548	SEAL KIT	115.00	65.00	194.87	RJD-AT52703	USE RJD-RE18754			41.92

All manufacturer's names, part numbers and descriptions are used for reference purposes only. We do not imply that any part shown is the product of these manufacturers.

INDUSTRIAL  
SEAL KITS

MOBILE  
SEAL KITS

JOHN DEERE

## KIT LISTING

## JOHN DEERE

INDUSTRIAL  
SEAL KITS

MOBILE  
SEAL KITS

JOHN DEERE

Ref. Number	Desc.	Bore	Rod	\$	Ref. Number	Desc.	Bore	Rod	\$
RJD-AT52704	USE RJD-RE18750			29.39	RJD-RE14745	SEAL KIT	2.500	2.500	42.56
RJD-AT52705	USE RJD-RE18736			41.55	RJD-RE14771	SEAL KIT	3.750		62.94
RJD-AT52706	USE RJD-RE18742			56.39	RJD-RE14772	SEAL KIT	2.750		17.50
RJD-AT52707	USE RJD-AR105346			58.63	RJD-RE14773	SEAL KIT		1.250	22.81
RJD-AT52708	USE RJD-RE18743			53.20	RJD-RE14877	SEAL KIT	5.500		120.86
RJD-AT52709	USE RJD-RE18747			42.79	RJD-RE14878	SEAL KIT		2.750	47.55
RJD-AT52710	USE RJD-AR105387			42.50	RJD-RE14879	SEAL KIT	6.000		123.67
RJD-AT52712	USE RJD-RE18737			47.05	RJD-RE14880	SEAL KIT		2.750	43.38
RJD-AT55691	USE RJD-AR105355			54.27	RJD-RE14910	SEAL KIT	5.500		120.86
RJD-AT55692	USE RJD-RE18731			36.33	RJD-RE15708	SEAL KIT		3.750	101.48
RJD-AT55695	SEAL KIT	4.000	1.750	26.69	RJD-RE15905	SEAL KIT	5.000		99.12
RJD-AT56582	USE RJD-AR105281			76.13	RJD-RE15906	SEAL KIT		3.250	44.10
RJD-AT78498	SEAL KIT	50.00	25.00	53.93	RJD-RE15907	SEAL KIT	5.500		120.86
RJD-AT79722	SEAL KIT	3.000	1.500	45.62	RJD-RE16076	SEAL KIT	3.500		75.03
RJD-AU41182	USE RJD-AR105351			53.40	RJD-RE16118	SEAL KIT	4.000		77.40
RJD-AU41735	USE RJD-AR105432			37.31	RJD-RE16119	SEAL KIT		2.000	25.95
RJD-AU42199	USE RJD-RE19226			28.35	RJD-RE16208	SEAL KIT	3.000		67.76
RJD-AU42200	USE RJD-RE19227			34.49	RJD-RE16209	SEAL KIT		1.750	30.38
RJD-AU43367	SEAL KIT	1.750	0.687	10.64	RJD-RE16991	SEAL KIT		2.750	81.84
RJD-AU43986	USE RJD-AR105392			38.55	RJD-RE16992	SEAL KIT		3.000	62.21
RJD-AU49810	SEAL KIT		25.00	40.04	RJD-RE17097	SEAL KIT	3.500		12.83
RJD-RE10223	SEAL KIT	4.000	1.750	39.05	RJD-RE17099	SEAL KIT	3.750		15.45
RJD-RE10224	SEAL KIT	5.500	2.500	76.84	RJD-RE17342	SEAL KIT		2.750	61.93
RJD-RE10640	SEAL KIT	4.500	2.250	52.35	RJD-RE17345	SEAL KIT		2.500	45.48
RJD-RE12912	SEAL KIT	3.500	1.750	97.21	RJD-RE17351	SEAL KIT	5.500		120.86
RJD-RE13277	SEAL KIT	5.500	2.500	82.80	RJD-RE17458	SEAL KIT	4.250		81.84
RJD-RE13745	SEAL KIT		2.500	36.18	RJD-RE18202	SEAL KIT	3.000		9.83
RJD-RE14022	SEAL KIT	6.250		130.96	RJD-RE18203	SEAL KIT		1.500	26.92
RJD-RE14033	SEAL KIT	7.500		160.24	RJD-RE18708	SEAL KIT	3.500		74.20
RJD-RE14082	SEAL KIT	3.000		68.66	RJD-RE18730	SEAL KIT	4.000	1.750	45.20
RJD-RE14088	SEAL KIT	1.500	1.500	24.82	RJD-RE18731	SEAL KIT	4.250	2.500	81.11
RJD-RE14094	SEAL KIT	4.500		80.28	RJD-RE18732	SEAL KIT	4.000	2.000	45.40
RJD-RE14100	SEAL KIT	5.250		104.76	RJD-RE18733	SEAL KIT	4.000	2.000	37.12
RJD-RE14102	SEAL KIT	5.500		120.86	RJD-RE18734	SEAL KIT	5.500	2.500	77.28
RJD-RE14104	SEAL KIT	6.250		124.40	RJD-RE18735	SEAL KIT	4.000	2.500	111.37
RJD-RE14208	SEAL KIT		2.250	37.11	RJD-RE18736	SEAL KIT	4.000	1.750	41.55
RJD-RE14454	SEAL KIT		2.250	36.02	RJD-RE18737	SEAL KIT	4.500	2.000	47.05
RJD-RE14516	SEAL KIT		2.500	37.33	RJD-RE18738	SEAL KIT	4.000	2.000	31.24
RJD-RE14517	SEAL KIT	3.500		74.20	RJD-RE18739	SEAL KIT	4.250	2.250	56.57
RJD-RE14523	SEAL KIT	4.500		80.28	RJD-RE18740	SEAL KIT	5.500	2.500	162.05
RJD-RE14538	SEAL KIT		2.250	27.82	RJD-RE18741	SEAL KIT	4.000	2.000	95.76
RJD-RE14551	SEAL KIT	2.000		11.20	RJD-RE18742	SEAL KIT	3.500	1.500	56.40
RJD-RE14552	SEAL KIT		1.000	13.03	RJD-RE18743	SEAL KIT	5.000	2.000	53.20
RJD-RE14555	SEAL KIT	4.000		74.65	RJD-RE18744	SEAL KIT	6.250	2.750	138.23
RJD-RE14556	SEAL KIT		2.000	24.65	RJD-RE18745	SEAL KIT	5.500	2.500	106.40
RJD-RE14563	SEAL KIT	4.250		26.84	RJD-RE18746	SEAL KIT	5.250	2.500	56.76
RJD-RE14567	SEAL KIT	4.000		79.55	RJD-RE18747	SEAL KIT	3.250	2.750	42.79
RJD-RE14744	SEAL KIT	5.000		99.12	RJD-RE18748	SEAL KIT	3.500	2.000	45.98

All manufacturer's names, part numbers and descriptions are used for reference purposes only. We do not imply that any part shown is the product of these manufacturers.

Tel.: (514) 334-2220  
Fax: (514) 333-8329

**KITS 447**

[www.sealsonline.com](http://www.sealsonline.com)

## JOHN DEERE

## KIT LISTING

Ref. Number	Desc.	Bore	Rod	\$	Ref. Number	Desc.	Bore	Rod	\$
RJD-RE18749	SEAL KIT	2.000	0.875	24.15	RJD-RE25151	SEAL KIT		63.00	106.63
RJD-RE18750	SEAL KIT	3.000	1.250	29.41	RJD-RE25152	SEAL KIT		80.00	138.43
RJD-RE18751	SEAL KIT	3.000	1.750	35.85	RJD-RE28899	SEAL KIT		63.00	101.71
RJD-RE18752	SEAL KIT	3.000	1.750	37.09	RJD-RE30100	SEAL KIT	2.250		6.37
RJD-RE18754	SEAL KIT	3.500	1.752	47.70	RJD-RE30816	SEAL KIT	3.250		63.94
RJD-RE18755	SEAL KIT	3.500	1.750	38.45	RJD-RE30817	SEAL KIT		2.000	31.64
RJD-RE18756	SEAL KIT	3.500	1.750	47.46	RJD-RE30874	SEAL KIT		1.750	28.27
RJD-RE18757	SEAL KIT	3.500	2.250	51.39	RJD-RE31138	SEAL KIT	80.00		52.03
RJD-RE18758	SEAL KIT	3.500	2.250	97.94	RJD-RE31139	SEAL KIT	100.00		91.84
RJD-RE18759	SEAL KIT	5.000	2.250	68.91	RJD-RE31140	SEAL KIT	115.00		114.30
RJD-RE18760	SEAL KIT	4.500	2.500	64.10	RJD-RE31528	SEAL KIT		3.750	71.57
RJD-RE18762	SEAL KIT	6.250	3.250	135.14	RJD-RE31716	SEAL KIT		56.00	68.18
RJD-RE18763	SEAL KIT	5.500	3.750	86.44	RJD-RE33803	SEAL KIT	50.00		52.20
RJD-RE18764	SEAL KIT	4.500	2.250	111.77	RJD-RE37003	SEAL KIT	80.00		14.71
RJD-RE18765	SEAL KIT	3.500	2.000	48.96	RJD-RE37004	SEAL KIT	70.00		10.33
RJD-RE19216	SEAL KIT	3.250	3.000	42.50	RJD-RE37462	SEAL KIT	70.00		131.66
RJD-RE19217	SEAL KIT	2.500	1.500	29.49	RJD-TH102798	SEAL KIT	140.00	95.00	206.44
RJD-RE19218	SEAL KIT	3.000	2.000	43.09	RJD-TH102827	SEAL KIT	150.00	105.00	199.51
RJD-RE19220	SEAL KIT	2.750	1.750	37.95	RJD-TH102845	SEAL KIT	140.00	90.00	181.69
RJD-RE19222	SEAL KIT	2.750	1.500	35.08	RJD-TH103324	SEAL KIT	160.00	110.00	179.05
RJD-RE19224	SEAL KIT	4.400	4.250	46.95	RJD-TH103347	SEAL KIT	160.00	110.00	228.15
RJD-RE19225	SEAL KIT	4.500	2.000	104.12	RJD-TH103357	SEAL KIT	150.00	95.00	200.33
RJD-RE19226	SEAL KIT	4.500	3.375	44.39	RJD-TH106099	SEAL KIT	100.00	60.00	175.22
RJD-RE19227	SEAL KIT	3.625	3.375	41.83	RJD-TH106853	SEAL KIT	90.00	55.00	232.90
RJD-RE20323	SEAL KIT	3.625	4.000	80.04	RJD-TH106874	SEAL KIT	110.00	60.00	117.39
RJD-RE20329	SEAL KIT		3.750	74.47	RJD-TH109339	SEAL KIT	105.00	75.00	119.59
RJD-RE20351	SEAL KIT		2.500	40.83	RJD-TH109366	SEAL KIT	115.00	80.00	136.85
RJD-RE20428	SEAL KIT	70.00		41.53	RJD-TH109390	SEAL KIT	95.00	65.00	124.13
RJD-RE20430	SEAL KIT	90.00		46.99	RJD-TH110035	SEAL KIT	135.00	90.00	187.70
RJD-RE20433	SEAL KIT		40.00	56.00	RJD-TH110064	SEAL KIT	145.00	100.00	201.15
RJD-RE20434	SEAL KIT		45.00	56.33	RJD-TH110661	SEAL KIT	115.00	65.00	147.05
RJD-RE20595	SEAL KIT		50.00	49.77	RJD-TH110662	SEAL KIT	100.00	60.00	91.94
RJD-RE20874	SEAL KIT		1.750	34.28	RJD-TH110663	SEAL KIT	90.00	55.00	102.41
RJD-RE21202	SEAL KIT		3.750	176.69	RJD-TH111625	SEAL KIT	145.00	95.00	250.44
RJD-RE21395	SEAL KIT		2.750	124.40	RJD-TH111626	SEAL KIT	145.00	100.00	252.51
RJD-RE21401	SEAL KIT		3.250	85.30	RJD-TH111627	SEAL KIT	165.00	110.00	296.28
RJD-RE21873	SEAL KIT		32.00	47.93	RJD-TH111701	SEAL KIT	115.00	65.00	169.40
RJD-RE21874	SEAL KIT	50.00		47.90	RJD-TH111854	SEAL KIT	150.00	105.00	266.00
RJD-RE21875	SEAL KIT		25.00	49.12					

All manufacturer's names, part numbers and descriptions are used for reference purposes only. We do not imply that any part shown is the product of these manufacturers.

INDUSTRIAL  
SEAL KITS

MOBILE  
SEAL KITS

JOHN DEERE

## KITS

## KATO

Model	Application	Serial Number	Cylinder Number	Bore	Rod	I	Ref. Number RKAT-	\$
						M		
<b>HD-700SEV, HD-700II, HD-720VII</b>	ARM		329-1719-0	135.00	95.00	M	329/17190000	293.06
	BOOM		329-1169-0	125.00	85.00	M	329/11690000	294.05
	BUCKET		329-2389-0	120.00	80.00	M	329/23890000	231.79
<b>HD-770SEII</b>	ARM		309-754-1	130.00	90.00	M	309/75400001	256.63
	BOOM		309-960-2	130.00	85.00	M	309/96000002	230.42
	BUCKET		309-785-1	130.00	85.00	M	309/78500001	230.42
<b>HD-800SEV, HD-880SEII</b>	ARM		309-755-1	140.00	100.00	M	309/75500001	296.51
	BOOM		309-967-2	130.00	85.00	M	309/96700002	266.07
	BUCKET		309-786-1	125.00	85.00	M	309/78600001	226.36
<b>HD-900SEV</b>	ARM		329-172-1	150.00	105.00	M	329/17200001	372.39
	BOOM		309-697-11	140.00	85.00	M	309/96700011	268.30
	BUCKET		309-786-11	130.00	85.00	M	309/78600011	255.63
<b>HD-800VII</b>	ARM		329-1729-0	150.00	105.00	M	329/17290000	304.92
	BOOM		329-1399-0	140.00	85.00	M	329/13990000	268.30
	BUCKET		309-7869-10	130.00	85.00	M	309/78690010	312.19
<b>HD-1250SEV</b>	ARM		329-175-3	160.00	110.00	M	329/17500003	308.61
	BOOM		329-121-2	150.00	100.00	M	329/12100002	291.82
	BUCKET		329-241-2	150.00	100.00	M	329/24100002	291.82
<b>HD-1250VII</b>	ARM		329-1759-0	160.00	110.00	M	329/17590000	308.61
	BOOM		329-2419-2	150.00	100.00	M	329/24190002	291.82
	BUCKET		329-2419-2	150.00	100.00	M	329/24190002	291.82

INDUSTRIAL  
SEAL KITS

MOBILE  
SEAL KITS

## KIT LISTING

## KATO

Ref. Number	Desc.	Bore	Rod	\$	Ref. Number	Desc.	Bore	Rod	\$
RKAT-309/13790020	SEAL KIT	150.00	90.00	200.37	RKAT-329/12090000	SEAL KIT	150.00	100.00	309.75
RKAT-309/75400001	SEAL KIT	130.00	90.00	256.63	RKAT-329/12100002	SEAL KIT	150.00	100.00	291.82
RKAT-309/75500001	SEAL KIT	140.00	100.00	296.51	RKAT-329/13990000	SEAL KIT	140.00	85.00	268.30
RKAT-309/75590000	SEAL KIT	140.00	100.00	283.62	RKAT-329/17190000	SEAL KIT	135.00	95.00	293.06
RKAT-309/78500001	SEAL KIT	130.00	85.00	230.42	RKAT-329/17200001	SEAL KIT	150.00	105.00	372.39
RKAT-309/78590010	SEAL KIT	125.00	85.00	297.89	RKAT-329/17290000	SEAL KIT	150.00	105.00	304.92
RKAT-309/78600001	SEAL KIT	125.00	85.00	226.36	RKAT-329/17500003	SEAL KIT	160.00	110.00	308.61
RKAT-309/78600011	SEAL KIT	130.00	85.00	255.63	RKAT-329/17590000	SEAL KIT	160.00	110.00	308.61
RKAT-309/78690010	SEAL KIT	130.00	85.00	312.19	RKAT-329/23790000	SEAL KIT	95.00	65.00	209.73
RKAT-309/96000002	SEAL KIT	130.00	85.00	230.42	RKAT-329/23890000	SEAL KIT	120.00	80.00	231.79
RKAT-309/96090010	SEAL KIT	130.00	85.00	309.89	RKAT-329/23890001	SEAL KIT	120.00	80.00	265.52
RKAT-309/96700002	SEAL KIT	130.00	85.00	266.07	RKAT-329/24100002	SEAL KIT	150.00	100.00	291.82
RKAT-309/96700011	SEAL KIT	140.00	85.00	268.30	RKAT-329/24190002	SEAL KIT	150.00	100.00	291.82
RKAT-329/11690000	SEAL KIT	125.00	85.00	294.05					

All manufacturer's names, part numbers and descriptions are used for reference purposes only. We do not imply that any part shown is the product of these manufacturers.

**Tel.: (905) 362-0889**  
**Fax: (888) 238-1664**

**KITS 449**

**www.sealsonline.com**

**KATO**

## KOBELCO

## EXCAVATOR

Model	Application	Serial Number	Cylinder Number	Bore	Rod	I	Ref. Number RKOB-	\$
						M		
SK60	ARM				65.00	M	2438U1097R100	101.73
				110.00		M	2438U716R140	129.20
	BOOM				70.00	M	2438U721R100	157.42
				125.00		M	2438U1094R140	174.08
	BUCKET				60.00	M	2438U1096R100	112.93
				95.00		M	2438U1096R200	131.81
SK100	ARM				75.00	M	2438U1098R100	107.38
				115.00		M	2438U1098R200	224.61
	BOOM				70.00	M	2438U1099R100	115.17
				100.00		M	2438U1123R200	159.28
	BUCKET				65.00	M	2438U1097R100	101.73
				95.00		M	2438U1097R200	157.55
SK120	ARM	LPU1001-	2438U1132F1		80.00	M	2438U1132R100	126.67
				120.00		M	2438U1132R200	225.49
				120.00	80.00	M	2438U1132R300	352.16
	BOOM (LH)	LPU1001-	2438U1134F1		70.00	M	2438U1133R100	113.62
				105.00		M	2438U1133R200	160.66
				105.00	70.00	M	2438U1133R300	260.56
	BOOM (RH)	LPU1001-	2438U1133F1		70.00	M	2438U1133R100	113.62
				105.00		M	2438U1133R200	160.66
				105.00	70.00	M	2438U1133R300	260.56
	BUCKET	LPU1001-	2438U1131F1		65.00	M	2438U1131R100	101.73
				100.00		M	2438U1131R200	164.09
				100.00	65.00	M	2438U1131R300	252.53
SK120LC	ARM	YPU1001-	2438U1132F1		80.00	M	2438U1132R100	126.67
				120.00		M	2438U1132R200	225.49
				120.00	80.00	M	2438U1132R300	352.16
	BOOM (LH)	YPU1001-	2438U1134F1		70.00	M	2438U1133R100	113.62
				105.00		M	2438U1133R200	160.66
				105.00	70.00	M	2438U1133R300	260.56
	BOOM (RH)	YPU1001-	2438U1133F1		70.00	M	2438U1133R100	113.62
				105.00		M	2438U1133R200	160.66
				105.00	70.00	M	2438U1133R300	260.56
	BUCKET	YPU1001-	2438U1131F1		65.00	M	2438U1131R100	101.73
				100.00		M	2438U1131R200	164.09
				100.00	65.00	M	2438U1131R300	252.53
SK150, SK150LC	ARM	YMU1001-	2438U1948F1		90.00	M	2438U1948R400	123.79
				130.00		M	2438U1948R200	219.96
				130.00	90.00	M	2438U1948R500	343.74
	BOOM (LH)	YMU1001-	2438U1947F1		80.00	M	2438U1105R400	77.65
				120.00		M	2438U1946R200	159.89
				120.00	80.00	M	2438U1946R300	237.53
	BOOM (RH)	YMU1001-	2438U1946F1		80.00	M	2438U1105R400	77.65
				120.00		M	2438U1946R200	159.89
				120.00	80.00	M	2438U1946R300	237.53
	BUCKET	YMU1001-	2438U1949F1		75.00	M	2438U1949R400	88.59
				110.00		M	2438U1949R200	197.10
				110.00	75.00	M	2438U1949R500	250.76

All manufacturer's names, part numbers and descriptions are used for reference purposes only. We do not imply that any part shown is the product of these manufacturers.

INDUSTRIAL  
SEAL KITS

MOBILE  
SEAL KITS

KOBELCO

## EXCAVATOR

## KOBELCO

INDUSTRIAL  
SEAL KITS

MOBILE  
SEAL KITS

KOBELCO

Model	Application	Serial Number	Cylinder Number	Bore	Rod	I	Ref. Number RKOB-	\$
						M		
SK150LC III	ARM	YM000101-	2438U1948F1	130.00	90.00	M	2438U1948R400	123.79
				130.00		M	2438U1948R200	219.96
				130.00		M	2438U1948R500	343.74
	BOOM (LH)	YM000101-	2438U1947F1	120.00	80.00	M	2438U1105R400	77.65
				120.00		M	2438U1946R200	159.89
				120.00		M	2438U1946R300	237.53
				120.00		M	2438U1105R400	77.65
	BOOM (RH)	YM000101-	2438U1946F1	120.00	80.00	M	2438U1946R200	159.89
				120.00		M	2438U1946R300	237.53
	BUCKET	YM000101-	2438U1949F1	110.00	75.00	M	2438U1949R400	88.59
110.00				M		2438U1949R200	197.10	
110.00				M		2438U1949R500	250.76	
145.00				M		2438U1104R200	251.86	
145.00				M		2438U1104R400	112.36	
145.00				M		2438U1104R500	364.22	
SK200, SK200LC	ARM	YNU0001- YQU0701-	2438U1104F1	145.00	100.00	M	2438U1104R200	251.86
				145.00		M	2438U1104R400	112.36
				145.00		M	2438U1104R500	364.22
				145.00		M	2438U1108R100	139.23
	BOOM (LH)	YNU0001- YQU0701-	2438U1108	145.00	100.00	M	2438U1108R200	267.43
				145.00		M	2438U1108R300	315.63
				125.00		M	2438U1102R200	170.32
				125.00		M	2438U1102R600	96.78
				125.00		M	2438U1102R500	267.10
				125.00		M	2438U1106R100	127.63
BOOM (RH)	YNU0001- YQU0701-	2438U1103F1	125.00	85.00	M	2438U1106R200	217.29	
			125.00		M	2438U1106R300	344.94	
			125.00		M	2438U1102R200	170.32	
			125.00		M	2438U1102R600	96.78	
			125.00		M	2438U1102R500	267.10	
			125.00		M	2438U1106R100	127.63	
			125.00		M	2438U1106R200	217.29	
			125.00		M	2438U1106R300	344.94	
BUCKET	YNU0001- YQU0701-	2438U1105F1	120.00	85.00	M	2438U1105R200	119.77	
			120.00		M	2438U1105R400	77.65	
			120.00		M	2438U1105R500	197.41	
			120.00		M	2438U1109R100	129.50	
			120.00		M	2438U1109R200	124.71	
			120.00		M	3438U1109R300	240.39	
SK200 III, SK220LC III, SK220 IV, SK220LC IV	ARM	LQU0001- LLU0601-	2438U1137F1	105.00	105.00	M	2438U953R100	195.38
				150.00		M	2438U953R200	369.37
	BOOM (LH)	LQU0001- LLU0601-	2438U1136F1	140.00	90.00	M	2438U999R100	126.77
				140.00		M	2438U999R200	244.17
				140.00		M	2438U999R100	126.77
				140.00		M	2438U999R200	244.17
	BUCKET	LQU0001- LLU0601-	2438U1097F2	95.00	65.00	M	2438U1097R100	101.73
				95.00		M	2438U1097R200	157.55
				130.00		M	2438U959R100	102.52
				130.00		M	2438U959R200	229.56

All manufacturer's names, part numbers and descriptions are used for reference purposes only. We do not imply that any part shown is the product of these manufacturers.

Tel.: (204) 783-9617  
Fax: (204) 783-6091

**KITS 451**

[www.sealsonline.com](http://www.sealsonline.com)



## KOBELCO

## EXCAVATOR

Model	Application	Serial Number	Cylinder Number	Bore	Rod	I	Ref. Number RKOB-	\$
						M		
SK300 III	ARM	LCU0001-UP	2438U1171F1-F4	120.00	120.00	M	2438U1171R100	143.24
				170.00		M	2438U1171R200	270.10
				170.00	120.00	M	2438U1171R300	413.32
	BOOM (LH)	LCU0001-UP	2438U1177F1-F4	100.00	100.00	M	2438U1170R100	103.48
				150.00		M	2438U1172R200	182.74
				150.00	100.00	M	2438U1172R500	389.70
				100.00	100.00	M	2438U1170R100	103.48
	BOOM (RH)	LCU0001-UP	2438U1170F1-F4	150.00		M	2438U1172R200	182.74
				150.00	100.00	M	2438U1170R300	286.22
	BUCKET	LCU0001-UP	2438U1172F1-F5	100.00	100.00	M	2438U1170R100	103.48
				150.00		M	2438U1172R200	182.74
				150.00	100.00	M	2438U1172R500	389.70
100.00				100.00	M	2438U1170R100	103.48	
SK300 IV	ARM	LCU0101-	2438U1171F1-F4	120.00	120.00	M	2438U1171R100	143.24
				170.00		M	2438U1171R200	270.10
				170.00	120.00	M	2438U1171R300	413.32
	BOOM (LH)	LCU0101-	2438U1177F1-F4	100.00	100.00	M	2438U1170R100	103.48
				150.00		M	2438U1172R200	182.74
				150.00	100.00	M	2438U1172R500	389.70
				100.00	100.00	M	2438U1170R100	103.48
	BOOM (RH)	LCU0101-	2438U1170F1-F4	150.00		M	2438U1172R200	182.74
				150.00	100.00	M	2438U1170R300	286.22
	BUCKET	LCU0101-	2438U1172F1-F5	100.00	100.00	M	2438U1170R100	103.48
				150.00		M	2438U1172R200	182.74
				150.00	100.00	M	2438U1172R500	389.70
100.00				100.00	M	2438U1170R100	103.48	
SK300LC III	ARM	YCU0001-UP	2438U1171F1-F4	120.00	120.00	M	2438U1171R100	143.24
				170.00		M	2438U1171R200	270.10
				170.00	120.00	M	2438U1171R300	413.32
	BOOM (LH)	YCU0001-UP	2438U1177F1-F4	100.00	100.00	M	2438U1170R100	103.48
				150.00		M	2438U1172R200	182.74
				150.00	100.00	M	2438U1172R500	389.70
				100.00	100.00	M	2438U1170R100	103.48
	BOOM (RH)	YCU0001-UP	2438U1170F1-F4	150.00		M	2438U1172R200	182.74
				150.00	100.00	M	2438U1170R300	286.22
	BUCKET	YCU0001-UP	2438U1172F1-F5	100.00	100.00	M	2438U1170R100	103.48
				150.00		M	2438U1172R200	182.74
				150.00	100.00	M	2438U1172R500	389.70
100.00				100.00	M	2438U1170R100	103.48	
SK300LC IV	ARM	YCU0603-07 & YCU0611-	2438U1171F1-F4	120.00	120.00	M	2438U1171R100	143.24
				170.00		M	2438U1171R200	270.10
				170.00	120.00	M	2438U1171R300	413.32
	BOOM (LH)	YCU0603-07 & YCU0611-	2438U1177F1-F4	100.00	100.00	M	2438U1170R100	103.48
				150.00		M	2438U1172R200	182.74
				150.00	100.00	M	2438U1172R500	389.70
				100.00	100.00	M	2438U1170R100	103.48
	BOOM (RH)	YCU0603-07 & YCU0611-	2438U1170F1-F4	150.00		M	2438U1172R200	182.74
				150.00	100.00	M	2438U1170R300	286.22
	BUCKET	YCU0603-07 & YCU0611-	2438U1172F1-F5	100.00	100.00	M	2438U1170R100	103.48
				150.00		M	2438U1172R200	182.74
				150.00	100.00	M	2438U1172R500	389.70
100.00				100.00	M	2438U1170R100	103.48	

All manufacturer's names, part numbers and descriptions are used for reference purposes only. We do not imply that any part shown is the product of these manufacturers.

INDUSTRIAL  
SEAL KITS

MOBILE  
SEAL KITS

KOBELCO

## EXCAVATOR

## KOBELCO

Model	Application	Serial Number	Cylinder Number	Bore	Rod	I	Ref. Number RKOB-	\$
						M		
K903II	ARM				65.00	M	2438U1097R100	101.73
				110.00		M	2438U716R140	129.20
	BOOM				70.00	M	2438U721R100	157.42
				125.00		M	2438U1094R140	174.08
	BUCKET				60.00	M	2438U1096R100	112.93
				95.00		M	2438U1096R200	131.81
K904II	ARM				75.00	M	2438U991R100	115.39
				115.00		M	2438U991R200	226.06
	BOOM				70.00	M	2438U989R100	116.36
				100.00		M	2438U989R200	159.28
	BUCKET				65.00	M	2438U992R100	97.46
				95.00		M	2438U992R200	157.72
K904III	ARM				75.00	M	2438U1098R100	107.38
				115.00		M	2438U1098R200	224.61
	BOOM				70.00	M	2438U1099R100	115.17
				100.00		M	2438U1123R200	159.28
	BUCKET				65.00	M	2438U1097R100	101.73
				95.00		M	2438U1097R200	157.55
K905II	ARM		2438U973F1		80.00	M	2438U973R100	135.41
				120.00		M	2438U973R200	225.68
	BOOM		2438U971F2, 972FS		70.00	M	2438U971R100	119.86
				105.00		M	2438U971R200	160.65
	BUCKET		2438U974F1		65.00	M	2438U974R100	103.01
				100.00		M	2438U974R200	166.09
K907D	ARM		2438U921F1, F2		95.00	M	2438U921R100	107.52
				145.00		M	2438U921R110	206.62
	BOOM		2438U914D1F1, D2F1		85.00	M	2438U914R100	115.03
				125.00		M	2438U914R200	168.80
	BUCKET		2438U915F1		75.00	M	2438U915R100	86.91
				120.00		M	2438U915R110	164.73
K907II	ARM		2438U941F1		100.00	M	2438U941R100	149.84
				145.00		M	2438U941R200	283.79
	BOOM		2438U996F1, 997F1		85.00	M	2438U996R100	132.01
				125.00		M	2438U996R200	277.72
	BUCKET		2438U995F1		80.00	M	2438U995R100	96.49
				120.00		M	2438U995R200	253.61
K909A	ARM				100.00	M	2438U588R110	146.92
				150.00		M	2438U588R120	208.55
	BOOM				90.00	M	2438U587R100	135.70
				140.00		M	2438U587R110	204.28
	BUCKET				90.00	M	2438U568R100	136.03
				130.00		M	2438U568R110	192.29
K909II	ARM		2438U953F1		105.00	M	2438U953R100	195.38
				150.00		M	2438U953R200	369.37
	BOOM		2438U999F1, 1000F1		90.00	M	2438U999R100	126.77
				140.00		M	2438U999R200	244.17
	BUCKET		2438U959F1		85.00	M	2438U959R100	102.52
				130.00		M	2438U959R200	229.56

All manufacturer's names, part numbers and descriptions are used for reference purposes only. We do not imply that any part shown is the product of these manufacturers.

Tel.: (780) 414-1871  
Fax: (780) 487-5419

**KITS 453**

[www.sealsonline.com](http://www.sealsonline.com)

INDUSTRIAL  
SEAL KITS

MOBILE  
SEAL KITS

**KOBELCO**

## KOBELCO

## EXCAVATOR

Model	Application	Serial Number	Cylinder Number	Bore	Rod	I	Ref. Number RKOB-	\$
						M		
K912II	ARM		2438U1323F1	100.00	100.00	M	2438U1323R100	170.36
				160.00		M	2438U1323R110	324.77
	BOOM		2438U776F1	95.00	M	2438U776R100	156.55	
				150.00	M	2438U776R110	253.33	
	BUCKET		2438U1324F1	100.00	M	2438U1324R100	121.07	
				150.00	M	2438U1324R110	157.08	
K916II	ARM	2438U1029F1	130.00	M	2438U1029R100	252.36		
	BOOM	2438U1028D1F1, D2F1	180.00	M	2438U1029R200	365.79		
			110.00	M	2438U1028R100	145.55		
	BUCKET	2438U1030F1	170.00	M	2438U1028R200	360.70		
			120.00	M	2438U1030R100	181.49		
			170.00	M	2438U1030R200	360.70		

## KOBELCO

## KIT LISTING

Ref. Number	Desc.	Bore	Rod	\$	Ref. Number	Desc.	Bore	Rod	\$
RKOB-24038R42F1	SEAL KIT	120.00		176.90	RKOB-2438U1102R600	SEAL KIT		85.00	96.78
RKOB-24100U1524R100	SWIVEL KIT	80.00		92.80	RKOB-2438U1104R100	SEAL KIT		100.00	179.01
RKOB-2436U1378R100	REGULATOR KIT			19.20	RKOB-2438U1104R200	SEAL KIT	145.00		251.86
RKOB-2438U1007R100	SEAL KIT		45.00	68.19	RKOB-2438U1104R400	SEAL KIT		100.00	112.36
RKOB-2438U1007R200	SEAL KIT	80.00		89.69	RKOB-2438U1104R500	SEAL KIT	145.00	100.00	364.22
RKOB-2438U1008R100	SEAL KIT		95.00	135.04	RKOB-2438U1104R700	SEAL KIT	145.00		224.61
RKOB-2438U1008R200	SEAL KIT	160.00		271.17	RKOB-2438U1105R100	SEAL KIT		80.00	74.73
RKOB-2438U1028D1R100	SEAL KIT		110.00	143.38	RKOB-2438U1105R200	SEAL KIT	120.00		119.77
RKOB-2438U1028D1R200	SEAL KIT	170.00		317.50	RKOB-2438U1105R400	SEAL KIT		80.00	77.65
RKOB-2438U1028R100	SEAL KIT		110.00	145.55	RKOB-2438U1105R500	SEAL KIT	120.00	80.00	197.41
RKOB-2438U1028R200	SEAL KIT	170.00		360.70	RKOB-2438U1106R100	SEAL KIT		85.00	127.63
RKOB-2438U1029R100	SEAL KIT		130.00	252.36	RKOB-2438U1106R200	SEAL KIT	125.00		217.29
RKOB-2438U1029R200	SEAL KIT	180.00		365.79	RKOB-2438U1106R300	SEAL KIT	125.00	85.00	344.94
RKOB-2438U1030R100	SEAL KIT		120.00	181.49	RKOB-2438U1108R100	SEAL KIT		100.00	139.23
RKOB-2438U1030R200	SEAL KIT	170.00		360.70	RKOB-2438U1108R200	SEAL KIT	145.00		267.43
RKOB-2438U1094R140	SEAL KIT	125.00		174.08	RKOB-2438U1108R300	SEAL KIT	145.00	100.00	315.63
RKOB-2438U1096R100	SEAL KIT		60.00	112.93	RKOB-2438U1109R100	SEAL KIT		80.00	129.50
RKOB-2438U1096R200	SEAL KIT	95.00		131.81	RKOB-2438U1109R200	SEAL KIT	120.00		124.71
RKOB-2438U1097R100	SEAL KIT		65.00	101.73	RKOB-2438U1123R100	SEAL KIT		70.00	82.77
RKOB-2438U1097R200	SEAL KIT	95.00		157.55	RKOB-2438U1123R200	SEAL KIT	100.00		159.28
RKOB-2438U1097R300	SEAL KIT	95.00	65.00	245.78	RKOB-2438U1123R300	SEAL KIT	100.00	70.00	251.16
RKOB-2438U1098R100	SEAL KIT		75.00	107.38	RKOB-2438U1131R100	SEAL KIT		65.00	101.73
RKOB-2438U1098R200	SEAL KIT	115.00		224.61	RKOB-2438U1131R200	SEAL KIT	100.00		164.09
RKOB-2438U1098R300	SEAL KIT	115.00	75.00	314.69	RKOB-2438U1131R300	SEAL KIT	100.00	65.00	252.53
RKOB-2438U1099R100	SEAL KIT		70.00	115.17	RKOB-2438U1132R100	SEAL KIT		80.00	126.67
RKOB-2438U1099R200	SEAL KIT	100.00		167.27	RKOB-2438U1132R200	SEAL KIT	120.00		225.49
RKOB-2438U1099R300	SEAL KIT	100.00	70.00	249.18	RKOB-2438U1132R300	SEAL KIT	120.00	80.00	352.16
RKOB-2438U1102R100	SEAL KIT		85.00	121.07	RKOB-2438U1133R100	SEAL KIT		70.00	113.62
RKOB-2438U1102R200	SEAL KIT	125.00		170.32	RKOB-2438U1133R200	SEAL KIT	105.00		160.66
RKOB-2438U1102R500	SEAL KIT	125.00	85.00	267.10	RKOB-2438U1133R300	SEAL KIT	105.00	70.00	260.56

All manufacturer's names, part numbers and descriptions are used for reference purposes only. We do not imply that any part shown is the product of these manufacturers.

INDUSTRIAL  
SEAL KITS

MOBILE  
SEAL KITS

KOBELCO

## KITS

## KOBELCO

Ref. Number	Desc.	Bore	Rod	\$	Ref. Number	Desc.	Bore	Rod	\$
RKOB-2438U1135R100	SEAL KIT		90.00	135.03	RKOB-2438U553R100	SEAL KIT		75.00	120.02
RKOB-2438U1135R200	SEAL KIT	140.00		217.68	RKOB-2438U568R100	SEAL KIT		90.00	136.03
RKOB-2438U1135R300	SEAL KIT	140.00	90.00	275.44	RKOB-2438U568R110	SEAL KIT	130.00		192.29
RKOB-2438U1137R100	SEAL KIT		105.00	163.92	RKOB-2438U587R100	SEAL KIT		90.00	135.70
RKOB-2438U1137R200	SEAL KIT	150.00		242.94	RKOB-2438U587R110	SEAL KIT	140.00		204.28
RKOB-2438U1137R300	SEAL KIT	150.00	105.00	290.20	RKOB-2438U588R110	SEAL KIT		100.00	146.92
RKOB-2438U1137R500	SEAL KIT	150.00		228.11	RKOB-2438U588R120	SEAL KIT	150.00		208.55
RKOB-2438U1138R100	SEAL KIT		85.00	97.57	RKOB-2438U662R110	SEAL KIT	170.00		202.53
RKOB-2438U1138R200	SEAL KIT	130.00		215.14	RKOB-2438U664R100	SEAL KIT		120.00	221.21
RKOB-2438U1138R300	SEAL KIT	130.00	85.00	256.04	RKOB-2438U664R110	SEAL KIT	170.00		358.62
RKOB-2438U1146R300	SEAL KIT	110.00	75.00	237.53	RKOB-2438U716R140	SEAL KIT	110.00		129.20
RKOB-2438U1169R200	SEAL KIT	80.00		151.90	RKOB-2438U721R100	SEAL KIT		70.00	157.42
RKOB-2438U1170R100	SEAL KIT		100.00	103.48	RKOB-2438U776R100	SEAL KIT		95.00	156.55
RKOB-2438U1170R200	SEAL KIT	150.00		228.16	RKOB-2438U776R110	SEAL KIT	150.00		253.33
RKOB-2438U1170R300	SEAL KIT	150.00	100.00	286.22	RKOB-2438U776R200	SEAL KIT		95.00	149.30
RKOB-2438U1171R100	SEAL KIT		120.00	143.24	RKOB-2438U914R100	SEAL KIT		85.00	115.03
RKOB-2438U1171R200	SEAL KIT	170.00		270.10	RKOB-2438U914R200	SEAL KIT	125.00		168.80
RKOB-2438U1171R300	SEAL KIT	170.00	120.00	413.32	RKOB-2438U914R300	SEAL KIT	125.00	85.00	269.02
RKOB-2438U1172R100	SEAL KIT		100.00	105.43	RKOB-2438U915R100	SEAL KIT		75.00	86.91
RKOB-2438U1172R200	SEAL KIT	150.00		182.74	RKOB-2438U915R110	SEAL KIT	120.00		164.73
RKOB-2438U1172R500	SEAL KIT	150.00	100.00	389.70	RKOB-2438U921R100	SEAL KIT		95.00	107.52
RKOB-2438U1173R100	SEAL KIT		115.00	171.67	RKOB-2438U921R110	SEAL KIT	145.00		206.62
RKOB-2438U1173R200	SEAL KIT	170.00		355.66	RKOB-2438U922R100	SEAL KIT		70.00	99.93
RKOB-2438U1173R300	SEAL KIT	170.00	115.00	466.99	RKOB-2438U922R110	SEAL KIT	105.00		96.25
RKOB-2438U1174R100	SEAL KIT		130.00	159.13	RKOB-2438U941R100	SEAL KIT		100.00	149.84
RKOB-2438U1174R200	SEAL KIT	190.00		496.85	RKOB-2438U941R200	SEAL KIT	145.00		283.79
RKOB-2438U1174R300	SEAL KIT	190.00	130.00	664.79	RKOB-2438U953R100	SEAL KIT		105.00	195.38
RKOB-2438U1175R100	SEAL KIT		110.00	167.61	RKOB-2438U953R200	SEAL KIT	150.00		369.37
RKOB-2438U1175R200	SEAL KIT	160.00		164.68	RKOB-2438U959R100	SEAL KIT		85.00	102.52
RKOB-2438U1175R300	SEAL KIT	160.00	110.00	457.52	RKOB-2438U959R200	SEAL KIT	130.00		229.56
RKOB-2438U1323R100	SEAL KIT		100.00	170.36	RKOB-2438U971R100	SEAL KIT		70.00	119.86
RKOB-2438U1323R110	SEAL KIT	160.00		324.77	RKOB-2438U971R200	SEAL KIT	105.00		160.65
RKOB-2438U1323R200	SEAL KIT		110.00	148.59	RKOB-2438U973R100	SEAL KIT		80.00	135.41
RKOB-2438U1324R100	SEAL KIT		100.00	0.00	RKOB-2438U973R200	SEAL KIT	120.00		225.68
RKOB-2438U1324R110	SEAL KIT	150.00		157.08	RKOB-2438U974R100	SEAL KIT		65.00	103.01
RKOB-2438U1324R200	SEAL KIT		100.00	173.45	RKOB-2438U974R200	SEAL KIT	100.00		166.09
RKOB-2438U1343R120	SEAL KIT		130.00	213.71	RKOB-2438U982R100	SEAL KIT	145.00		221.57
RKOB-2438U1946R200	SEAL KIT	120.00		159.89	RKOB-2438U984R300	SEAL KIT	170.00		306.69
RKOB-2438U1946R300	SEAL KIT	120.00	80.00	237.53	RKOB-2438U985R300	SEAL KIT	180.00		291.68
RKOB-2438U1948R100	SEAL KIT		90.00	117.33	RKOB-2438U989R100	SEAL KIT		70.00	116.36
RKOB-2438U1948R200	SEAL KIT	130.00		219.96	RKOB-2438U989R200	SEAL KIT	100.00		159.28
RKOB-2438U1948R400	SEAL KIT		90.00	123.79	RKOB-2438U989R300	SEAL KIT	100.00	70.00	261.26
RKOB-2438U1948R500	SEAL KIT	130.00	90.00	343.74	RKOB-2438U991R100	SEAL KIT		75.00	115.39
RKOB-2438U1949R100	SEAL KIT		75.00	83.98	RKOB-2438U991R200	SEAL KIT	115.00		226.06
RKOB-2438U1949R200	SEAL KIT	110.00		197.10	RKOB-2438U991R300	SEAL KIT	115.00	75.00	323.64
RKOB-2438U1949R300	SEAL KIT	110.00	75.00	336.62	RKOB-2438U992R100	SEAL KIT		65.00	97.46
RKOB-2438U1949R400	SEAL KIT		75.00	88.59	RKOB-2438U992R200	SEAL KIT	95.00		157.72
RKOB-2438U1949R500	SEAL KIT	110.00	75.00	250.76	RKOB-2438U992R300	SEAL KIT	95.00	65.00	241.89

All manufacturer's names, part numbers and descriptions are used for reference purposes only. We do not imply that any part shown is the product of these manufacturers.

**Tel.: (403) 279-1871**  
**Fax: (403) 279-1821**

**KITS 455**

**www.sealsonline.com**

INDUSTRIAL  
SEAL KITS

MOBILE  
SEAL KITS

**KOBELCO**

## KOBELCO

## KITS

Ref. Number	Desc.	Bore	Rod	\$	Ref. Number	Desc.	Bore	Rod	\$
RKOB-2438U995R100	SEAL KIT		80.00	96.49	RKOB-YB01V00004R200	SEAL KIT	105.00		178.26
RKOB-2438U995R200	SEAL KIT	120.00		253.61	RKOB-YB01V00010R100	SEAL KIT		90.00	150.73
RKOB-2438U996R100	SEAL KIT		85.00	132.01	RKOB-YM01V00006R100	SEAL KIT		80.00	134.55
RKOB-2438U996R200	SEAL KIT	125.00		277.72	RKOB-YM01V00006R200	SEAL KIT	110.00		186.48
RKOB-2438U999R100	SEAL KIT		90.00	126.77	RKOB-YM01V00008R100	SEAL KIT		90.00	152.55
RKOB-2438U999R200	SEAL KIT	140.00		244.17	RKOB-YM01V00008R200	SEAL KIT	125.00		264.39
RKOB-2441U802R100	SEAL KIT			0/R	RKOB-YM01V00009R100	SEAL KIT		75.00	123.98
RKOB-2445Z2736	SEAL KIT	80.00	90.00	18.50	RKOB-YM01V00009R200	SEAL KIT	105.00		191.18
RKOB-2445Z-921F1	SEAL KIT	100.00		96.29	RKOB-YN01V00001R100	SEAL KIT		80.00	86.56
RKOB-2445Z-922F1	SEAL KIT		50.00	85.18	RKOB-YN01V00001R200	SEAL KIT	120.00		104.59
RKOB-290TAK	SEAL KIT		90.00	60.69	RKOB-YN01V00002R100	SEAL KIT		80.00	92.53
RKOB-3438U1109R300	SEAL KIT	120.00	80.00	240.39	RKOB-YN01V00002R200	SEAL KIT	120.00		132.74
RKOB-K3V/180DTH	SEAL KIT			289.86	RKOB-YN01V00003R100	SEAL KIT		95.00	71.00
RKOB-LB01V00003R100	SEAL KIT		105.00	131.56	RKOB-YN01V00003R200	SEAL KIT	135.00		273.52
RKOB-LB01V00003R200	SEAL KIT	150.00		219.47	RKOB-YN01V00003R300	SEAL KIT	135.00	95.00	436.03
RKOB-LB01V00004R100	SEAL KIT		90.00	96.50	RKOB-YN01V00004R100	SEAL KIT		75.00	139.57
RKOB-LB01V00004R200	SEAL KIT	130.00		155.99	RKOB-YN01V00004R200	SEAL KIT	115.00		220.35
RKOB-LB01V00007R100	SEAL KIT		105.00	165.55	RKOB-YN01V00004R300	SEAL KIT	115.00	75.00	208.63
RKOB-LC01V00001R200	SEAL KIT	140.00		179.21	RKOB-YN01V00019R100	SEAL KIT	135.00		225.85
RKOB-LC01V00005R100	SEAL KIT		120.00	158.98	RKOB-YN01V00039R100	SEAL KIT		95.00	82.23
RKOB-LC01V00005R200	SEAL KIT	170.00		320.44	RKOB-YN01V00039R200	SEAL KIT	135.00		204.90
RKOB-LC01V00006R100	SEAL KIT		100.00	108.89	RKOB-YN01V00052R100	SEAL KIT		85.00	66.77
RKOB-LC01V00006R200	SEAL KIT	150.00		173.87	RKOB-YN01V00052R200	SEAL KIT			188.17
RKOB-LQ01V00001R200	SEAL KIT	135.00		134.12	RKOB-YN01V00068R100	SEAL KIT		80.00	74.91
RKOB-LQ01V00001R400	SEAL KIT		90.00	100.82	RKOB-YN01V00068R200	SEAL KIT	115.00		147.37
RKOB-LQ01V00004R400	SEAL KIT		85.00	82.90	RKOB-YN01V00103R100	SEAL KIT		85.00	119.93
RKOB-LQ01V00007R100	SEAL KIT		100.00	108.55	RKOB-YN01V00103R200	SEAL KIT	125.00		288.01
RKOB-LQ01V00007R200	SEAL KIT	140.00		182.13	RKOB-YN01V00105R100	SEAL KIT		95.00	156.47
RKOB-LQ01V00008R200	SEAL KIT	120.00		147.20	RKOB-YN01V00105R200	SEAL KIT	135.00		318.16
RKOB-LS01V00001R100	SEAL KIT		115.00	226.81	RKOB-YN01V00112R100	SEAL KIT		80.00	134.28
RKOB-LS01V00001R200	SEAL KIT	170.00		332.51	RKOB-YN01V00112R800	SEAL KIT	120.00		241.16
RKOB-LS01V00003R100	SEAL KIT		130.00	208.15	RKOB-YN30V00002R100	JOYSTICK PILOT KIT			22.43
RKOB-LS01V00003R200	SEAL KIT	190.00		454.79	RKOB-YT01V00001R100	SEAL KIT		70.00	123.58
RKOB-LS01V00004R100	SEAL KIT		110.00	143.29	RKOB-YT01V00002R100	SEAL KIT		65.00	118.49
RKOB-LS01V00004R200	SEAL KIT	160.00		363.57	RKOB-YT01V00003R100	SEAL KIT		55.00	120.06
RKOB-YB01V00001R100	SEAL KIT		80.00	121.50	RKOB-YX01V00005R100	SEAL KIT		65.00	94.96
RKOB-YB01V00001R200	SEAL KIT	115.00		214.15	RKOB-YX01V00005R200	SEAL KIT	95.00		130.07
RKOB-YB01V00003R100	SEAL KIT		90.00	137.68	RKOB-YY01V00003R100	SEAL KIT		80.00	80.27
RKOB-YB01V00003R200	SEAL KIT	125.00		267.53	RKOB-YY01V00003R200	SEAL KIT	115.00		58.68
RKOB-YB01V00004R100	SEAL KIT		75.00	81.04					

All manufacturer's names, part numbers and descriptions are used for reference purposes only. We do not imply that any part shown is the product of these manufacturers.

INDUSTRIAL  
SEAL KITS

MOBILE  
SEAL KITS

KOBELCO

## PARTS

## KOBELCO

INDUSTRIAL  
SEAL KITS

MOBILE  
SEAL KITS

KOBELCO

Ref. Number	Desc.	\$	Ref. Number	Desc.	\$
<b>BEARINGS</b>			RKOB-ZD11P01800	O-RING	0.77
RKOB-2405P496	BEARING	267.00	RKOB-ZD11P02000	O-RING	0.77
RKOB-2438U1097S18	BEARING	54.13	RKOB-ZD11P02100	O-RING	0.77
RKOB-2438U1099S19	BEARING	52.20	RKOB-ZD11P02200	O-RING	0.93
RKOB-2438U1106S17	BEARING	83.78	RKOB-ZD11P02600	O-RING	1.08
RKOB-2438U1109S14	BEARING	75.28	RKOB-ZD11P03200	O-RING	1.39
RKOB-2438U1175S15	BEARING	93.81	RKOB-ZD11P04800	O-RING	2.16
RKOB-2438U1261S16	BEARING	93.04	RKOB-ZD11P08000	O-RING	4.11
RKOB-2438U1323S4	BEARING	118.21	RKOB-ZD11P18000	O-RING	23.55
RKOB-2438U1324S4	BEARING	85.11	RKOB-ZD12A01600	O-RING	0.11
RKOB-2438U1949S4	BEARING	23.77	RKOB-ZD12A01800	O-RING	0.11
RKOB-2438U255E15	BEARING	62.77	RKOB-ZD12G02500	O-RING	0.77
RKOB-2438U394S12	BEARING	96.36	RKOB-ZD12G04500	O-RING	1.39
RKOB-2438U953S4	BEARING	101.30	RKOB-ZD12G03000	O-RING	1.27
RKOB-2438U959S4	BEARING	83.78	RKOB-ZD12G03500	O-RING	1.36
RKOB-2438U999S4	BEARING	69.18	RKOB-ZD12G04000	O-RING	1.65
RKOB-YN01V00003S015	BEARING	81.61	RKOB-ZD12G05000	O-RING	2.04
RKOB-2438U1104S4	BEARING	42.50	RKOB-ZD12G05500	O-RING	2.04
RKOB-2438U1949S4	BEARING	23.77	RKOB-ZD12G06500	O-RING	1.61
<b>O-RINGS</b>			RKOB-ZD12G07500	O-RING	1.81
RKOB-ZD11G02500		0.77	RKOB-ZD12G08000	O-RING	1.90
RKOB-ZD11G03000	O-RING	1.00	RKOB-ZD12G09000	O-RING	2.34
RKOB-ZD11G03500	O-RING	1.08	RKOB-ZD12G09500	O-RING	2.50
RKOB-ZD11G04000	O-RING	1.31	RKOB-ZD12G10000	O-RING	2.67
RKOB-ZD11G04500	O-RING	1.39	RKOB-ZD12G11000	O-RING	5.84
RKOB-ZD11G05000	O-RING	1.62	RKOB-ZD12G14500	O-RING	8.22
RKOB-ZD11G05500	O-RING	1.62	RKOB-ZD12G16000	O-RING	6.33
RKOB-ZD11G06000	O-RING	1.93	RKOB-ZD12P00500	O-RING	0.77
RKOB-ZD11G06500	O-RING	2.08	RKOB-ZD12P00600	O-RING	0.77
RKOB-ZD11G07000	O-RING	2.16	RKOB-ZD12P00700	O-RING	0.77
RKOB-ZD11G07500	O-RING	2.47	RKOB-ZD12P00900	O-RING	0.77
RKOB-ZD11G08000	O-RING	2.55	RKOB-ZD12P01000	O-RING	0.77
RKOB-ZD11G08500	O-RING	2.78	RKOB-ZD12P01100	O-RING	0.77
RKOB-ZD11G09000	O-RING	3.32	RKOB-ZD12P01200	O-RING	0.77
RKOB-ZD11G09500	O-RING	3.63	RKOB-ZD12P01250	O-RING	0.97
RKOB-ZD11G10000	O-RING	4.09	RKOB-ZD12P01400	O-RING	0.97
RKOB-ZD11G11000	O-RING	4.71	RKOB-ZD12P01500	O-RING	0.97
RKOB-ZD11G13000	O-RING	5.79	RKOB-ZD12P01600	O-RING	0.97
RKOB-ZD11G13500	O-RING	5.95	RKOB-ZD12P01800	O-RING	0.97
RKOB-ZD11G16500	O-RING	10.66	RKOB-ZD12P02000	O-RING	0.97
RKOB-ZD11G17000	O-RING	10.81	RKOB-ZD12P02100	O-RING	0.97
RKOB-ZD11G19000	O-RING	11.81	RKOB-ZD12P02200	O-RING	1.16
RKOB-ZD11G22000	O-RING	17.53	RKOB-ZD12P02240	O-RING	1.16
RKOB-ZD11P01000	O-RING	0.62	RKOB-ZD12P02400	O-RING	1.16
RKOB-ZD11P01200	O-RING	0.62	RKOB-ZD12P02600	O-RING	1.16
RKOB-ZD11P01400	O-RING	0.77	RKOB-ZD12P02800	O-RING	1.36
RKOB-ZD11P01500	O-RING	0.77	RKOB-ZD12P02900	O-RING	1.36
RKOB-ZD11P01600	O-RING	0.77	RKOB-ZD12P03000	O-RING	1.54

All manufacturer's names, part numbers and descriptions are used for reference purposes only. We do not imply that any part shown is the product of these manufacturers.

Tel.: (604) 278-6808  
Fax: (604) 278-6180

**KITS 457**

[www.sealsonline.com](http://www.sealsonline.com)

## PARTS

## KOBELCO

Ref. Number	Desc.	\$	Ref. Number	Desc.	\$
RKOB-ZD12P03200	O-RING	1.75	RKOB-2445R138D6	PIN WIPER	30.70
RKOB-ZD12P03400	O-RING	1.75	RKOB-2445R138D7	PIN WIPER	32.72
RKOB-ZD12P03500	O-RING	1.75	RKOB-2445R138D8	PIN WIPER	38.22
RKOB-ZD12P03600	O-RING	1.75	RKOB-2445R138D9	PIN WIPER	31.38
RKOB-ZD12P03800	O-RING	1.84	RKOB-2445R220D1	PIN WIPER	18.82
RKOB-ZD12P04000	O-RING	2.13	RKOB-2445R220D13	PIN WIPER	54.91
RKOB-ZD12P04200	O-RING	2.22	RKOB-2445R220D2	PIN WIPER	21.71
RKOB-ZD12P04400	O-RING	2.22	RKOB-2445R220D4	PIN WIPER	24.52
RKOB-ZD12P04500	O-RING	2.22	RKOB-2445R220D5	PIN WIPER	17.96
RKOB-ZD12P05000	O-RING	2.90	RKOB-2445R220D6	PIN WIPER	27.41
RKOB-ZD12P06000	O-RING	4.73	RKOB-2445R220D7	PIN WIPER	18.14
RKOB-ZD12A01600	O-RING	0.11	RKOB-2445R372D2	PIN WIPER	25.20
RKOB-ZD12A01800	O-RING	0.11	RKOB-2445R372D4	PIN WIPER	41.60
<b>PIN WIPERS</b>			RKOB-2445R372D5	PIN WIPER	50.10
RKOB-2438U1109S28	PIN WIPER	15.64	RKOB-2445R372D6	PIN WIPER	30.00
RKOB-2438U1106S6	PIN WIPER	19.75	RKOB-2445R372D7	PIN WIPER	24.14
RKOB-2445R138D1	PIN WIPER	18.38	RKOB-2445R372D9	PIN WIPER	68.33
RKOB-2445R138D10	PIN WIPER	33.20	RKOB-2445R382D5	PIN WIPER	50.10
RKOB-2445R138D11	PIN WIPER	30.73	RKOB-2445Z1444	PIN WIPER	38.30
RKOB-2445R138D13	PIN WIPER	16.99	RKOB-ZD58F300400R	VULCANIZED KOBELCO O-RING	77.04
RKOB-2445R138D14	PIN WIPER	44.26	<b>ROD WIPER</b>		
RKOB-2445R138D2	PIN WIPER	21.36	RKOB-P1622900N05	ROD WIPER	23.63
RKOB-2445R138D3	PIN WIPER	18.82			
RKOB-2445R138D4	PIN WIPER	28.77			

## KOEHRING

## KITS

Ref. Number	Desc.	Bore	Rod	\$	Ref. Number	Desc.	Bore	Rod	\$
RKOE-204650	SEAL KIT	4.750	3.250	57.43	RKOE-8205629	SEAL KIT	2.250	0.875	18.41
RKOE-205792	SEAL KIT	6.000	4.000	193.83	RKOE-8205635	SEAL KIT	4.000	2.000	37.89
RKOE-207889	SEAL KIT	11.000	5.500	49.36	RKOE-8205639	SEAL KIT	6.000	2.500	54.64
RKOE-24589	SEAL KIT	6.500	3.500	44.20	RKOE-8205640	SEAL KIT	4.250	1.750	53.49
RKOE-28054	SEAL KIT	4.000	2.500	18.35	RKOE-8205641	SEAL KIT	5.000	2.000	47.62
RKOE-29760	SEAL KIT	4.000	2.500	17.95	RKOE-8205642	SEAL KIT	4.000	3.000	33.97
RKOE-603E2503	SEAL KIT	3.500	1.750	56.80	RKOE-8205642-1	SEAL KIT	4.500	3.000	33.25
RKOE-6620BC	SEAL KIT	120.00	80.00	99.84	RKOE-8205643	SEAL KIT	3.000	1.500	34.29
RKOE-7004208	SEAL KIT	4.000	2.000	16.31	RKOE-8205646	SEAL KIT	4.500	3.000	18.64
RKOE-8030236	SEAL KIT	2.750	1.000	15.97	RKOE-8205648	SEAL KIT	2.500	1.250	18.24
RKOE-8032707	SEAL KIT	5.000	2.000	45.02	RKOE-8205668	SEAL KIT	5.500	3.000	49.36
RKOE-8032718	SEAL KIT	5.500	3.000	30.23	RKOE-A24589	SEAL KIT	6.500	3.500	48.30
RKOE-8033253	SEAL KIT	2.250	1.125	29.58	RKOE-U335F1532	SEAL KIT	7.000	4.500	474.86
RKOE-8033489	SEAL KIT	2.250	1.500	26.11	RKOE-U901V334	SEAL KIT	8.000	5.500	489.51
RKOE-8205601	SEAL KIT	N/A	3.500	25.55					
RKOE-8205602	SEAL KIT	4.000	3.000	45.21					
RKOE-8205603	SEAL KIT	4.000	2.000	41.57					
RKOE-8205604	SEAL KIT	4.000	1.500	18.81					


All manufacturer's names, part numbers and descriptions are used for reference purposes only. We do not imply that any part shown is the product of these manufacturers.


## KOMATSU INDEX FOR SEAL KITS


INDUSTRIAL  
SEAL KITS


MOBILE  
SEAL KITS


KOMATSU


	<b>CRAWLER DOZER</b>							<b>KITS 460</b>
	D20A-5	D31P-17A	D37E-1	D41Q-3	D53S-17	D60S-8	D75S-3	D135A-1
D20P-5	D31P-17B	D37E-2	D41S-3	D57S-1	D63E-1	D75S-5	D135A-2	
D20PL-5	D31PL-	D37P-1	D475A-3	D58E-1	D65A-8	D80A-18	D155A-1	
D20Q-5	17A	D37P-2	D50A-16	D58P-1	D65E-8	D80E-18	D155A-2	
D20S-5	D31PLL-	D40A-3	D50A-17	D60A-7	D65P-7	D83E-1		
D21P-5	17B	D40F-3	D50P-16	D60A-8	D65P-8	D83P-1		
D21PL-5	D31PQ-17	D40P3	D50P-17	D60E-8	D65S-7	D85A-18		
D21Q-5	D31Q-18	D40PL-3	D50PL-17	D60P-7	D65S-8	D85A-21		
D21S-5	D31S-17	D40PLL-3	D53A-16	D60P-8	D66S-1	D85E-18		
D31A-17	D31S-18	D41A-3	D53A-17	D60PL-7	D68E-1	D85E-21		
D31E-18	D375A-1	D41E-3	D53P-16	D60PL-8	D68P-1	D85E-21		
D31P-17	D375A-2	D41P-3	D53P-17	D60S-7	D75A-1	D95S-2		

	<b>MOTOR GRADER</b>							<b>KITS 468</b>
	GD200A-1	GD500R-2	GD521A-1	GD523R-1	GD611A-1	GD615A-1	GD623A-1	GD705A-3
GD300A-1	GD505A-2	GD521R-1	GD600R-3	GD611R-1	GD621A-1	GD625A-1	GD705A-4	
GD405A-1	GD505R-2	GD523A-1	GD605A-3	GD613A-1	GD621R-1	GD663A-1	GD825A-1	

	<b>DUMP TRUCK</b>				<b>KITS 470</b>
	HD325-3	HD325-5	HD465-3	HD785-3	

	<b>TRACKED EXCAVATOR</b>							<b>KITS 471</b>
	PC20-5	PC80-3	PC100L-3	PC120-6	PC200-3	PC210LC-6	PC220-5	PC360LC-3
PC30-5	PC80LC-3	PC100L-5	PC150-1	PC200LC-3	PC220	PC220-LC5	PC400-3	
PC40-5	PC90-1	PC100U-3	PC150-3	PC200-3	PC220L	PC280LC-3	PC400LC-3	
PC40-6	PC100-1	PC120-1	PC150-5	PC200LC-3	PC220-2	PC300-3	PC400-5	
PC60-5	PC100-2	PC120-2	PC150LC-3	PC200-5	PC220LC-2	PC300-LC3	PC400LC-5	
PC60L-5	PC100-3	PC120-3	PC200-1	PC200LC-5	PC220-3	PC300-5	PC1000-1	
PC75UU-1	PC100-5	PC120-5	PC200-2	PC210-6	PC220LC-3	PC300LC-5	PC1000SE-1	

	<b>WHEELED EXCAVATOR</b>							<b>KITS 476</b>
	PW20-1	PW30-1	PW60-3	PW100-1	PW100-3	PW100N-3	PW150-1	PW210-1

	<b>WHEEL LOADER</b>						<b>KITS 477</b>
	WA30-1	WA100-1	WA180-1	WA300-1	WA380-1	WA450-1	WA600-1
WA30-2	WA120-1	WA200-1	WA320-1	WA400-1	WA470-1	WA800-1	
WA70-1	WA150-1	WA250-1	WA350-1	WA420-1	WA500-1	WA800-2	

<b>KOMATSU KIT LISTING</b>							<b>KITS 480</b>
----------------------------	--	--	--	--	--	--	-----------------

All manufacturer's names, part numbers and descriptions are used for reference purposes only. We do not imply that any part shown is the product of these manufacturers.

Tel.: (418) 688-3202  
Fax: (418) 688-4272

**KITS 459**

[www.sealsonline.com](http://www.sealsonline.com)



## KOMATSU

## CRAWLER DOZER

Model	Application	Serial Number	Cylinder Number	Bore (mm)	Rod (mm)	Ref. Number RKOM-	\$
D20A-5	TRIMMING	45001-UP	101-63-79300	70.00	35.00	707/98/12440	77.98
		45001-UP	101-63-79400	70.00	35.00	707/98/12440	77.98
D20P-5	TILT	45003-53245	101-63-52100	80.00	40.00	707/99/22010	110.19
		53245-UP	101-63-52101	80.00	40.00	707/99/22010	110.19
	TRIMMING	45003-UP	101-63-79300	70.00	35.00	707/98/12440	77.98
D20PL-5	TILT	45003-UP	101-63-79400	70.00	35.00	707/98/12440	77.98
		45001-50601	101-63-52100	80.00	40.00	707/99/22010	110.19
		50602-UP	101-63-52101	80.00	40.00	707/99/22010	110.19
D20Q-5	LIFT	45368-51505	103-63-22100	80.00	45.00	707/98/24050	112.89
		45368-51505	103-63-22200	80.00	45.00	707/98/24050	112.89
		51506-UP	103-63-22101	80.00	45.00	707/98/24050	112.89
		51506-UP	106-63-22201	80.00	45.00	707/98/24050	112.89
D20S-5	LIFT	45001-51497	103-63-22100	80.00	45.00	707/98/24050	112.89
		45001-51497	103-63-22200	80.00	45.00	707/98/24050	112.89
		51498-UP	103-63-22101	80.00	45.00	707/98/24050	112.89
		51498-UP	103-63-22201	80.00	45.00	707/98/24050	112.89
D21P-5	TILT	45007-53306	101-63-52100	80.00	40.00	707/99/22010	110.19
		53307-UP	101-63-52101	80.00	40.00	707/99/22010	110.19
D21PL-5	TILT	45013-50606	101-63-52100	80.00	40.00	707/99/22010	110.19
		53307-UP	101-63-52101	80.00	40.00	707/99/22010	110.19
D21Q-5	LIFT	45094-51492	103-63-22100	80.00	45.00	707/98/24050	112.89
		45094-51492	103-63-22200	80.00	45.00	707/98/24050	112.89
		51493-UP	103-63-22101	80.00	45.00	707/98/24050	112.89
		51493-UP	103-63-22201	80.00	45.00	707/98/24050	112.89
D21S-5	LIFT	45003-51526	103-63-22100	80.00	45.00	707/98/24050	112.89
		45003-51526	103-63-22200	80.00	45.00	707/98/24050	112.89
		51527-UP	103-63-22101	80.00	45.00	707/98/24050	112.89
		51527-UP	103-63-22201	80.00	45.00	707/98/24050	112.89
D31A-17	PAT ANGLE	32001-UP	114-63-55500	90.00	40.00	114/63/05030	97.72
	PAT LIFT	32001-UP	114-63-12500	90.00	40.00	114/63/05030	97.72
		32001-UP	114-63-12600	90.00	40.00	114/63/05030	97.72
	PAT TILT	32001-UP	114-63-54501	90.00	40.00	114/63/05030	97.72
	RIPPER	32001-UP	113-63-42501	90.00	40.00	707/98/22500	104.66
	TRIMMING	32001-UP	114-63-79500	90.00	40.00	707/98/22500	104.66

All manufacturer's names, part numbers and descriptions are used for reference purposes only. We do not imply that any part shown is the product of these manufacturers.

## CRAWLER DOZER

## KOMATSU

INDUSTRIAL  
SEAL KITS

MOBILE  
SEAL KITS

KOMATSU

Model	Application	Serial Number	Cylinder Number	Bore (mm)	Rod (mm)	Ref. Number RKOM-	\$
<b>D31E-18</b>	TRIMMING LIFT	32001-UP	114-63-79600	90.00	40.00	707/98/22500	104.66
		32001-UP	114-63-69500	90.00	40.00	707/98/22500	104.66
		32001-UP	114-63-79600	90.00	40.00	707/98/22500	104.66
	3 POINT HITCH	40001-UP	113-63-49500	80.00	45.00	707/98/24150	114.57
		40001-UP	113-63-49600	80.00	45.00	707/98/24150	114.57
	RIPPER	40001-UP	113-63-42501	90.00	40.00	707/98/22500	104.66
<b>D31P-17</b>	LIFT	32001-UP	11G-63-13500	90.00	40.00	114/63/05030	97.72
		32001-UP	11G-63-13600	90.00	40.00	114/63/05030	97.72
	TILT	32001-UP	11G-63-52500	90.00	40.00	707/98/22500	104.66
	TRIMMING	32001-UP	114-63-79500	90.00	40.00	707/98/22500	104.66
<b>D31P-17A, D31P-17B</b>	TRIMMING LIFT	32001-UP	114-63-79600	90.00	40.00	707/98/22500	104.66
		32001-UP	114-63-69500	90.00	40.00	707/98/22500	104.66
		32001-UP	114-63-69600	90.00	40.00	707/98/22500	104.66
	PAT ANGLE	32001-UP	114-63-55500	90.00	40.00	114/63/05030	97.72
	PAT LIFT	32001-UP	114-63-12500	90.00	40.00	114/63/05030	97.72
		32001-UP	114-63-12600	90.00	40.00	114/63/05030	97.72
	PAT TILT	32001-UP	114-63-54501	90.00	40.00	114/63/05030	97.72
	3 POINT HITCH	32001-UP	113-63-49500	80.00	45.00	707/98/24150	114.57
		32001-UP	113-63-49600	80.00	45.00	707/98/24150	114.57
	<b>D31PL-17A, D31PLL-17B</b>	LIFT	32001-UP	11G-63-13600	90.00	40.00	114/63/05030
TILT		32001-UP	11G-63-13500	90.00	40.00	114/63/05030	97.72
<b>D31PQ-17</b>	LIFT	32001-UP	113-63-22500	100.00	50.00	707/99/32010	146.51
		32001-UP	113-63-22600	100.00	50.00	707/99/32010	146.51
	DUMP	32001-UP	113-63-32500	80.00	45.00	707/98/24150	114.57
<b>D31Q-18</b>	LIFT	32001-UP	113-63-32600	80.00	45.00	707/98/24150	114.57
		40001-UP	113-63-02011	100.00	50.00	707/98/32050	137.44
	3 POINT HITCH	40001-UP	113-63-02021	100.00	50.00	707/98/32050	137.44
		40001-UP	113-63-49500	80.00	45.00	707/98/24150	114.57
<b>D31S-17</b>	LIFT	40001-UP	113-63-49600	80.00	45.00	707/98/24150	114.57
		32001-UP	113-63-22500	100.00	50.00	707/99/32010	146.51
	DUMP	32001-UP	113-63-22600	100.00	50.00	707/99/32010	146.51
		32001-UP	113-63-32500	80.00	45.00	707/98/24150	114.57
		32001-UP	113-63-32600	80.00	45.00	707/98/24150	114.57
MULTI PURPOSE, BUCK. CLAM	32001-UP	113-63-59500	80.00	45.00	707/98/24150	114.57	
<b>D31S-18</b>	LIFT	40001-UP	113-63-02011	100.00	50.00	707/98/32050	137.44
		40001-UP	113-63-02021	100.00	50.00	707/98/32050	137.44
	3 POINT HITCH	40001-UP	113-63-49500	80.00	45.00	707/98/24150	114.57
		40001-UP	113-63-49600	80.00	45.00	707/98/24150	114.57
	MULTI PURPOSE, BUCK. CLAM	40001-UP	113-63-59500	80.00	45.00	707/98/24150	114.57

All manufacturer's names, part numbers and descriptions are used for reference purposes only. We do not imply that any part shown is the product of these manufacturers.

Tel.: (514) 334-2220  
Fax: (514) 333-8329

**KITS 461**

[www.sealsonline.com](http://www.sealsonline.com)

## KOMATSU

## CRAWLER DOZER

Model	Application	Serial Number	Cylinder Number	Bore (mm)	Rod (mm)	Ref. Number RKOM-	\$
<b>D37E-1</b>	RIPPER	40001-UP	113-63-42501	90.00	40.00	707/98/22500	104.66
	3 POINT HITCH	1001-UP	113-63-49500	80.00	45.00	707/98/24150	114.57
		1001-UP	113-63-49600	80.00	45.00	707/98/24150	114.57
	ANGLE LIFT	1001-UP	11G-63-13500	90.00	40.00	114/63/05030	97.72
		1001-UP	11G-63-13600	90.00	40.00	114/63/05030	97.72
	PAT ANGLE	1001-UP	114-63-55500	90.00	40.00	114/63/05030	97.72
	PAT LIFT	1001-UP	114-63-12500	90.00	40.00	114/63/05030	97.72
	1001-UP	114-63-12600	90.00	40.00	114/63/05030	97.72	
PAT TILT	1001-UP	114-63-54501	90.00	40.00	114/63/05030	97.72	
RIPPER	1001-UP	113-63-42501	90.00	40.00	707/98/22500	104.66	
<b>D37E-2</b>	3 POINT HITCH	2001-UP	113-63-49500	80.00	45.00	707/98/24150	114.57
		2001-UP	113-63-49600	80.00	45.00	707/98/24150	114.57
	RIPPER	2001-UP	113-63-42501	90.00	40.00	707/98/22500	104.66
<b>D37P-1</b>	3 POINT HITCH	1001-UP	113-63-49500	80.00	45.00	707/98/24150	114.57
		1001-UP	113-63-49600	80.00	45.00	707/98/24150	114.57
	ANGLE LIFT	1001-UP	11G-63-13500	90.00	40.00	114/63/05030	97.72
		1001-UP	11G-63-13600	90.00	40.00	114/63/05030	97.72
	PAT ANGLE	1001-UP	114-63-55500	90.00	40.00	114/63/05030	97.72
	PAT LIFT	1001-UP	114-63-12500	90.00	40.00	114/63/05030	97.72
	1001-UP	114-63-12600	90.00	40.00	114/63/05030	97.72	
	PAT TILT	1001-UP	114-63-54501	90.00	40.00	114/63/05030	97.72
<b>D37P-2</b>	3 POINT HITCH	2001-UP	113-63-49500	80.00	45.00	707/98/24150	114.57
		2001-UP	113-63-49600	80.00	45.00	707/98/24150	114.57
<b>D40A-3</b>	LIFT	6001-UP	12F-63-13701	70.00	45.00	12F/63/05020	90.89
		6001-UP	12F-63-13801	70.00	45.00	12F/63/05020	90.89
	TRIMMING	6001-UP	124-63-79500	90.00	45.00	707/98/24530	156.99
		6001-UP	124-63-79600	90.00	45.00	707/98/24530	156.99
	TRIMMING LIFT	6001-UP	124-63-69500	70.00	45.00	707/98/15650	91.09
		6001-UP	124-63-69600	70.00	45.00	707/98/15650	91.09
RIPPER	6001-UP	125-63-42300	120.00	60.00	707/98/41130	225.59	
<b>D40F-3</b>	TOOL BAR	6221-UP	120-63-48100	140.00	70.00	707/98/52100	270.64
		6221-UP	120-63-48200	140.00	70.00	707/98/52100	270.64
<b>D40P3, D40PL-3, D40PLL-3</b>	LIFT	6001-UP	12F-63-13701	70.00	45.00	12F/63/05020	90.89
		6001-UP	12F-63-13801	70.00	45.00	12F/63/05020	90.89
	TILT	6001-UP	12F-63-52500	100.00	50.00	12F/63/05060	151.37

All manufacturer's names, part numbers and descriptions are used for reference purposes only. We do not imply that any part shown is the product of these manufacturers.

## CRAWLER DOZER

## KOMATSU

INDUSTRIAL  
SEAL KITS

MOBILE  
SEAL KITS

KOMATSU

Model	Application	Serial Number	Cylinder Number	Bore (mm)	Rod (mm)	Ref. Number RKOM-	\$
<b>D41A-3</b>	LIFT	6001-UP	12F-63-13701	70.00	45.00	12F/63/05020	90.89
		6001-UP	12F-63-13801	70.00	45.00	12F/63/05020	90.89
	TRIMMING	6001-UP	124-63-79500	90.00	45.00	707/98/24530	156.99
		6001-UP	124-63-79600	90.00	45.00	707/98/24530	156.99
	TRIMMING LIFT	6001-UP	124-63-69500	70.00	45.00	707/98/15650	91.09
		6001-UP	124-63-69600	70.00	45.00	707/98/15650	91.09
	RIPPER	6001-UP	125-63-42300	120.00	60.00	707/98/41130	225.59
<b>D41E-3</b>	LIFT	6001-UP	12F-63-13701	70.00	45.00	12F/63/05020	90.89
		6001-UP	12F-63-13801	70.00	45.00	12F/63/05020	90.89
	PAT ANGLE	6001-UP	124-63-55500	100.00	65.00	707/98/36180	155.12
		6001-UP	124-63-55600	100.00	65.00	707/98/36180	155.12
<b>D41P-3</b>	PAT TILT	6001-UP	124-63-54500	120.00	60.00	707/98/41120	181.42
	TILT	6001-UP	12F-63-52500	100.00	50.00	12F/63/05060	151.37
<b>D41Q-3</b>	LIFT	6001-UP	12F-63-13701	70.00	45.00	12F/63/05020	90.89
		6001-UP	12F-63-13801	70.00	45.00	12F/63/05020	90.89
<b>D41S-3</b>	TILT	6001-UP	12F-63-52500	100.00	50.00	12F/63/05060	151.37
		6001-UP	125-63-22701	110.00	60.00	707/98/35510	180.59
	MULTI PURPOSE, BUCK. CLAM SIDE DUMP	6001-UP	125-63-22801	110.00	60.00	707/98/35510	180.59
		6001-UP	125-63-59500	90.00	50.00	707/98/25510	169.25
<b>D41S-3</b>	LIFT	6001-UP	125-63-97500	80.00	50.00	707/98/25170	171.32
		6001-UP	125-63-22701	110.00	60.00	707/98/35510	180.59
	MULTI PURPOSE, BUCK. CLAM SIDE DUMP	6001-UP	125-63-22801	110.00	60.00	707/98/35510	180.59
		6001-UP	125-63-59500	90.00	50.00	707/98/25510	169.25
<b>D50A-16, D53A-16</b>	LIFT	65001-UP	130-63-12005	90.00	55.00	707/99/26410	126.19
		65001-UP	130-63-12105	90.00	55.00	707/99/26410	126.19
<b>D50P-16</b>	LIFT	65001-65007	13F-63-13100	90.00	55.00	130/63/05020	126.19
		65001-65007	13F-63-13200	90.00	55.00	130/63/05020	126.19
<b>D50A-17, D53A-17</b>	MAP TILT	65008-UP	13F-63-13101	90.00	55.00	130/63/05020	126.19
		65008-UP	13F-63-13201	90.00	55.00	130/63/05020	126.19
		80001-UP	144-63-53300	160.00	70.00	707/98/60110	172.33
		80001-UP	144-63-53400	160.00	70.00	707/98/60110	172.33
<b>D50P-17, D50PL-17, D53P-17</b>	TILT	80001-UP	130-63-52500	160.00	70.00	707/98/60120	174.12

All manufacturer's names, part numbers and descriptions are used for reference purposes only. We do not imply that any part shown is the product of these manufacturers.

Tel.: (905) 362-0889  
Fax: (888) 238-1664

**KITS 463**

[www.sealsonline.com](http://www.sealsonline.com)

## KOMATSU

## CRAWLER DOZER

Model	Application	Serial Number	Cylinder Number	Bore (mm)	Rod (mm)	Ref. Number RKOM-	\$
<b>D53P-16</b>	LIFT	65280-UP	13F-63-13100	90.00	55.00	130/63/05020	126.19
		65280-UP	13F-63-13200	90.00	55.00	130/63/05020	126.19
<b>D53S-17</b>	DUMP	80001-UP	131-63-32004	130.00	65.00	707/98/42410	253.87
		80001-UP	131-63-32104	130.00	65.00	707/98/42410	253.87
	LIFT	80001-UP	131-63-22005	140.00	65.00	707/98/51100	222.52
<b>D57S-1</b>	BOTH-SIDE DUMP DUMP	80001-UP	131-63-22105	140.00	65.00	707/98/51100	222.52
		PRIOR-9100	135-63-93100	100.00	55.00	707/99/34030	128.80
		6501-9000	135-63-32305	140.00	65.00	707/98/51100	222.52
		6501-9000	135-63-32406	140.00	65.00	707/98/51100	222.52
		9001-UP	135-63-32306	140.00	65.00	707/98/51110	214.47
<b>D58E-1</b>	LIFT	9001-UP	135-63-32407	140.00	65.00	707/98/51110	214.47
		9001-UP	135-63-22305	150.00	70.00	707/98/52430	197.14
		9001-UP	135-63-22405	150.00	70.00	707/98/52430	197.14
<b>D58P-1</b>	TILT MAP TILT	80888-UP	130-63-52500	160.00	70.00	707/98/60120	174.12
		80888-UP	144-63-53300	160.00	70.00	707/98/60110	172.33
		80888-UP	144-63-53400	160.00	70.00	707/98/60110	172.33
<b>D60A-7, D65A-7, D65E-7</b>	LIFT	40001-UP	144-63-12501	110.00	65.00	707/99/36420	177.30
40001-UP		144-63-12601	110.00	65.00	707/99/36420	177.30	
<b>D60A-8</b>	LIFT	45001-UP	114-63-12502	110.00	65.00	144/63/05050	187.59
		45001-UP	144-63-12602	110.00	65.00	144/63/05050	187.59
	MAP TILT	45001-UP	144-63-53300	160.00	70.00	707/98/60110	172.33
		45001-UP	144-63-53400	160.00	70.00	707/98/60110	172.33
	TRIMMING	45001-UP	144-63-97300	120.00	55.00	707/99/40040	201.91
		45001-UP	144-63-97400	120.00	55.00	707/99/40040	201.91
<b>D60E-8</b>	TRIMMING LIFT	45001-UP	144-63-69500	110.00	65.00	707/99/36420	177.30
		45001-UP	144-63-69600	110.00	65.00	707/99/36420	177.30
	TILT RIPPER	45001-UP	144-63-52200	160.00	70.00	144/63/05080	172.52
		45001-UP	144-63-42100	160.00	75.00	707/98/61100	221.76
<b>D60P-7, D60PL-7, D60P-8, D60PL-8</b>	TILT	45001-UP	144-63-52200	160.00	70.00	144/63/05080	172.52
	LIFT	45001-UP	144-63-13503	110.00	65.00	144/63/05050	187.59
	LIFT	45001-UP	144-63-13603	110.00	65.00	144/63/05050	187.59

All manufacturer's names, part numbers and descriptions are used for reference purposes only. We do not imply that any part shown is the product of these manufacturers.

## CRAWLER DOZER

## KOMATSU

Model	Application	Serial Number	Cylinder Number	Bore (mm)	Rod (mm)	Ref. Number RKOM-	\$
<b>D60S-7</b>	DUMP	40001-UP	141-63-32300	140.00	60.00	141/63/05010	198.17
		40001-UP	141-63-32400	140.00	60.00	141/63/05010	198.17
	LIFT	40001-UP	141-63-22300	160.00	75.00	141/63/05050	224.85
		40001-UP	141-63-22400	160.00	75.00	141/63/05050	224.85
<b>D60S-8</b>	DUMP	45001-UP	141-63-32300	140.00	60.00	141/63/05010	198.17
		45001-UP	141-63-32400	140.00	60.00	141/63/05010	198.17
	LIFT	45001-UP	141-63-22300	160.00	75.00	141/63/05050	224.85
		45001-UP	141-63-22400	160.00	75.00	141/63/05050	224.85
<b>D63E-1</b>	TILT	1001-UP	130-63-52500	160.00	70.00	707/98/60120	174.12
	MAP TILT	1001-UP	144-63-53300	160.00	70.00	707/98/60110	172.33
		1001-UP	144-63-53400	160.00	70.00	707/98/60110	172.33
<b>D65A-8</b>	LIFT	45001-UP	144-63-12502	110.00	65.00	144/63/05050	187.59
		45001-UP	144-63-12602	110.00	65.00	144/63/05050	187.59
	MAP TILT	45001-UP	144-63-53300	160.00	70.00	707/98/60110	172.33
		45001-UP	144-63-53400	160.00	70.00	707/98/60110	172.33
	TRIMMING	45001-UP	144-63-97300	120.00	55.00	707/99/40040	201.91
		45001-UP	144-63-97400	120.00	55.00	707/99/40040	201.91
	TRIMMING LIFT	45001-UP	144-63-69500	110.00	65.00	707/99/36420	177.30
		45001-UP	144-63-69600	110.00	65.00	707/99/36420	177.30
<b>D65E-8</b>	RIPPER	45001-UP	144-63-42100	160.00	75.00	707/98/61100	221.76
	LIFT	45001-UP	144-63-12502	110.00	65.00	144/63/05050	187.59
		45001-UP	144-63-12602	110.00	65.00	144/63/05050	187.59
	TILT	45001-UP	144-63-52200	160.00	70.00	144/63/05080	172.52
	RIPPER	45001-UP	144-63-42100	160.00	75.00	707/98/61100	221.76
<b>D65P-7</b>	TILT	40001-UP	144-63-52200	160.00	70.00	144/63/05080	172.52
<b>D65P-8</b>	LIFT	45001-UP	144-63-13503	110.00	65.00	144/63/05050	187.59
		45001-UP	144-63-13603	110.00	65.00	144/63/05050	187.59
	TILT	45001-UP	144-63-52200	160.00	70.00	144/63/05080	172.52
<b>D65S-7</b>	DUMP	45001-UP	141-63-32300 141-63-32400	140.00	60.00	141/63/05010	198.17
	LIFT	40001-UP	141-63-22300 141-63-22400	160.00	75.00	141/63/05050	224.85
		<b>D65S-8</b>	DUMP	45001-UP	141-63-32300 141-63-32400	140.00	60.00
LIFT	45001-UP	141-63-22300 141-63-22400	160.00	75.00	141/63/05050	224.85	

INDUSTRIAL SEAL KITS

MOBILE SEAL KITS

KOMATSU

All manufacturer's names, part numbers and descriptions are used for reference purposes only. We do not imply that any part shown is the product of these manufacturers.

**Tel.: (204) 783-9617**  
**Fax: (204) 783-6091**

**KITS 465**

**www.sealsonline.com**

## KOMATSU

## CRAWLER DOZER

Model	Application	Serial Number	Cylinder Number	Bore (mm)	Rod (mm)	Ref. Number RKOM-	\$
<b>D66S-1</b>	BOTH-SIDE DUMP	1001-UP	142-63-99101	120.00	60.00	707/98/41140	225.79
	DUMP	1001-UP	142-63-32300	180.00	100.00	707/98/66410	388.30
	LIFT	1001-UP	142-63-22200	150.00	80.00	707/98/54510	215.31
	MULTI PURPOSE,	1001-UP	142-63-59101	120.00	60.00	707/98/41130	225.59
	BUCK. CLAM	1001-UP	142-63-59201	120.00	60.00	707/98/41130	225.59
<b>D68E-1</b>	LIFT	1001-UP	144-63-16100	110.00	65.00	144/63/05050	187.59
		1001-UP	144-63-16200	110.00	65.00	144/63/05050	187.59
<b>D68P-1</b>	LIFT	45590-UP	144-63-13503	110.00	65.00	144/63/05050	187.59
		45590-UP	144-63-13603	110.00	65.00	144/63/05050	187.59
	TILT	45590-UP	144-63-52200	160.00	70.00	144/63/05080	172.52
<b>D75A-1</b>	ANGLE LIFT	50001-UP	144-63-12502	110.00	65.00	144/63/05050	187.59
		50001-UP	144-63-12602	110.00	65.00	144/63/05050	187.59
	STRAIGHT TILT, DOZER LIFT	50001-UP	144-63-16100	110.00	65.00	144/63/05050	187.59
		50001-UP	144-63-16200	110.00	65.00	144/63/05050	187.59
	TILT	50001-UP	144-63-52200	160.00	70.00	144/63/05080	172.52
	RIPPER	50001-UP	144-63-42100	160.00	75.00	707/98/61100	221.76
<b>D75S-3</b>	DUMP	7001-10000	145-63-32601	150.00	70.00	707/98/52410	217.82
		7001-10000	145-63-32701	150.00	70.00	707/98/52410	217.82
		10001-UP	145-63-32602	150.00	70.00	707/98/52410	217.82
		10001-UP	145-63-32702	150.00	70.00	707/98/52410	217.82
	LIFT	7001-10000	145-63-23300	180.00	90.00	707/98/64450	194.44
		7001-10000	145-63-23400	180.00	90.00	707/98/64450	194.44
<b>D75S-5</b>	DUMP	10001-UP	145-63-23301	180.00	90.00	707/98/64420	203.85
		10001-UP	145-63-23401	180.00	90.00	707/98/64420	203.85
	DUMP	15001-UP	145-63-32601	150.00	70.00	707/98/52410	217.82
		15001-UP	145-63-32702	150.00	70.00	707/98/52410	217.82
	(FOR SCORIA DISPOSAL) LIFT	15001-UP	145-63-33600	150.00	70.00	707/98/52410	217.82
		15001-UP	145-63-33700	150.00	70.00	707/98/52410	217.82
		15001-UP	145-63-23301	180.00	90.00	707/98/64420	203.85
		15001-UP	145-63-23401	180.00	90.00	707/98/64420	203.85
		15001-UP	145-63-23800	180.00	90.00	707/98/64450	194.44
		15001-UP	145-63-23900	180.00	90.00	707/98/64450	194.44
SIDE DUMP	15001-UP	145-63-97101	110.00	60.00	707/99/36410	158.02	
<b>D80A-18</b>	LIFT	25001-UP	154-63-12604	120.00	70.00	707/99/43010	180.30
		25001-UP	154-63-12704	120.00	70.00	707/99/43010	180.30
	MAP TILT	25001-UP	154-63-52500	160.00	70.00	707/98/60121	172.43
		25001-UP	154-63-52600	160.00	70.00	707/98/60120	174.12
	RIPPER	25001-UP	154-63-42503	150.00	70.00	707/98/52410	217.82
		25001-UP	154-63-42603	150.00	70.00	707/98/52410	217.82
	TILT	25001-26042	154-63-52402	200.00	90.00	707/99/71100	240.76
<b>D80E-18</b>	TRIMMING	25001-UP	154-63-79400	150.00	70.00	707/98/52410	217.82
	TILT	25001-26042	154-63-52402	200.00	90.00	707/99/71100	240.76
	RIPPER	25001-UP	154-63-42503	150.00	70.00	707/98/52410	217.82
		25001-UP	154-63-42603	150.00	70.00	707/98/52410	217.82

All manufacturer's names, part numbers and descriptions are used for reference purposes only. We do not imply that any part shown is the product of these manufacturers.

## CRAWLER DOZER

## KOMATSU

INDUSTRIAL  
SEAL KITS

MOBILE  
SEAL KITS

KOMATSU

Model	Application	Serial Number	Cylinder Number	Bore (mm)	Rod (mm)	Ref. Number RKOM-	\$
<b>D83E-1</b>	MAP TILT	1001-UP	154-63-52500	160.00	70.00	707/98/60121	172.43
		1001-UP	154-63-52600	160.00	70.00	707/98/60121	172.43
	TILT	1001-UP	144-63-52200	160.00	70.00	144/63/05080	172.52
	RIPPER	1001-UP	144-63-42100	160.00	75.00	707/98/61100	221.76
<b>D83P-1</b>	TILT	1001-UP	144-63-52200	160.00	70.00	144/63/05080	172.52
<b>D85A-18</b>	LIFT	25001-UP	154-63-12604	120.00	70.00	707/99/43010	180.30
		25001-UP	154-63-12704	120.00	70.00	707/99/43010	180.30
	MAP TILT	25001-UP	154-63-52500	160.00	70.00	707/98/60121	172.43
		25001-UP	154-63-52600	160.00	70.00	707/98/60120	174.12
	TILT	25001-28323	154-63-52402	200.00	90.00	707/99/71100	240.76
	RIPPER	25001-UP	154-63-42503	150.00	70.00	707/98/52410	217.82
		25001-UP	154-63-42603	150.00	70.00	707/98/52410	217.82
	TRIMMING	25001-UP	154-63-79400	150.00	70.00	707/98/52410	217.82
<b>D85A-21, D85E-21</b>	MAP TILT	35001-UP	154-63-02120	140.00	70.00	707/98/52110	258.93
		35001-UP	154-63-02130	140.00	70.00	707/98/52110	258.93
	TILT	35001-UP	154-63-02070	160.00	80.00	707/98/62120	199.20
	RIPPER	35001-UP	154-63-02081	140.00	70.00	707/98/52110	258.93
<b>D85E-18</b>	TILT	25001-28323	154-63-52402	200.00	90.00	707/99/71100	240.76
	RIPPER	25001-UP	154-63-42503	150.00	70.00	707/98/52410	217.82
		25001-UP	154-63-42603	150.00	70.00	707/98/52410	217.82
<b>D85E-21</b>	TILT	3001-UP	154-63-02070	160.00	80.00	707/98/62120	199.20
<b>D95S-2</b>	LIFT	2112-UP	155-63-22501	180.00	90.00	707/98/64450	194.44
		2112-UP	155-63-22601	180.00	90.00	707/98/64450	194.44
<b>D135A-1, D135A-2</b>	LIFT	10001-UP	15A-63-02010	130.00	80.00	707/98/45610	236.65
	RIPPER LIFT	10001-UP	15A-63-02140	160.00	80.00	707/98/62100	165.86
		10001-UP	15A-63-02150	160.00	80.00	707/98/62100	165.86
	RIPPER TILT	10001-UP	15A-63-02160	150.00	80.00	707/98/54500	341.69
		10001-UP	15A-63-02170	150.00	80.00	707/98/54500	341.69
<b>D155A-1</b>	TILT	10001-UP	15A-63-02130	180.00	90.00	707/98/64410	201.55
	RIPPER LIFT	17001-UP	175-63-42700	225.00	90.00	707/99/71420	287.96
		17001-UP	175-63-42800	225.00	90.00	707/99/71420	287.96
	RIPPER TILT	17001-UP	175-63-43700	225.00	90.00	707/99/71420	287.96
		17001-UP	175-63-43800	225.00	90.00	707/99/71420	287.96

All manufacturer's names, part numbers and descriptions are used for reference purposes only. We do not imply that any part shown is the product of these manufacturers.

Tel.: (780) 414-1871  
Fax: (780) 487-5419

**KITS 467**

[www.sealsonline.com](http://www.sealsonline.com)



## KOMATSU

## CRAWLER DOZER

Model	Application	Serial Number	Cylinder Number	Bore (mm)	Rod (mm)	Ref. Number RKOM-	\$
<b>D155A-2</b>	LIFT	50001-UP	175-63-02111	140.00	75.00	707/98/53100	260.84
	RIPPER LIFT	50001-UP	175-63-42701	225.00	90.00	707/99/71420	287.96
		50001-UP	175-63-42801	225.00	90.00	707/99/71420	287.96
	RIPPER TILT	50001-UP	175-63-43700	225.00	90.00	707/99/71420	287.96
		50001-UP	175-63-43800	225.00	90.00	707/99/71420	287.96
	TILT	50001-UP	175-63-52700	225.00	90.00	175/63/05140	342.49
<b>D375A-1</b>	LIFT	15001-UP	195-63-01101	150.00	90.00	707/98/56600	196.86
		15001-UP	195-63-01201	150.00	90.00	707/98/56600	196.86
	RIPPER TILT	15001-UP	195-63-01501	200.00	110.00	707/98/74100	400.20
		15001-UP	195-63-01601	200.00	110.00	707/98/74100	400.20
	TILT	15001-15413	195-63-53200	225.00	110.00	707/98/74410	390.24
		15417-15422	195-63-53200	225.00	110.00	707/98/74410	390.24
<b>D375A-2</b>		15414-15416	195-63-53400	225.00	110.00	707/98/74420	329.24
		15423-UP	195-63-53400	225.00	110.00	707/98/74420	329.24
	RIPPER TILT	16001-UP	195-63-01501	200.00	110.00	707/98/74100	400.20
		16001-UP	195-53-01601	200.00	110.00	707/98/74100	400.20
	LIFT	16001-UP	195-63-01410	150.00	90.00	707/98/56610	210.92
		16001-UP	195-63-01420	150.00	90.00	707/98/56610	210.92
<b>D475A-3</b>	BLADE LIFT	10601-UP	198-63-02213	200.00	110.00	707/99/74130	1065.80
<b>MOTOR GRADER</b>							
<b>GD200A-1</b>	SCARIFIER	2001-UP	237-63-32500	80.00	40.00	707/98/22120	117.59
<b>GD300A-1</b>	ARTICULATE	2001-UP	237-63-62501	120.00	60.00	707/98/41030	207.72
	BLADE LIFT	2001-UP	237-63-12500	70.00	35.00	707/98/12550	78.17
	BLADE SHIFT	2001-UP	237-63-42500	60.00	40.00	707/98/14240	93.62
<b>GD405A-1</b>	FRONT BLADE	2001-UP	237-63-32500	80.00	40.00	707/98/22120	117.59
	SCARIFIER	2001-UP	237-63-32500	80.00	40.00	707/98/22120	117.59
	ARTICULATE	50002-50610	233-63-62300	90.00	50.00	707/98/25500	152.61
		50611-UP	233-63-62500	90.00	50.00	707/98/25430	141.07
	BLADE SHIFT	50002-50610	233-63-42300	70.00	40.00	707/98/14600	91.45
	BLADE LIFT	50002-50610	233-63-12300	70.00	40.00	707/98/14700	91.45
<b>GD500R-2</b>	DRAWBAR SHIFT	50002-50610	233-63-22300	70.00	40.00	707/98/14700	91.45
	LEANING	50002-50610	233-63-52300	70.00	35.00	707/98/12600	78.25
	POWER TILT	50002-UP	233-63-18300	80.00	40.00	707/98/22100	117.49
	SCARIFIER	50002-50610	238-63-32100	80.00	50.00	707/98/25170	171.32
<b>GD500R-2</b>	BLADE LIFT	11002-UP	238-63-12100	80.00	50.00	707/98/25070	127.33
	BLADE SHIFT	11002-UP	238-63-42100	80.00	50.00	707/98/25170	171.32
	DRAWBAR SHIFT	11002-UP	238-63-22100	80.00	50.00	707/98/25070	127.33
	FRONT BLADE	11002-UP	232-63-33300	80.00	50.00	707/98/25060	166.16
	LEANING	11002-UP	238-63-52100	70.00	35.00	707/98/12600	78.25
	POWER TILT	11002-UP	238-63-18101	80.00	40.00	707/98/22100	117.49

All manufacturer's names, part numbers and descriptions are used for reference purposes only. We do not imply that any part shown is the product of these manufacturers.

INDUSTRIAL SEAL KITS

MOBILE SEAL KITS

KOMATSU

## MOTOR GRADER

## KOMATSU

INDUSTRIAL  
SEAL KITS

MOBILE  
SEAL KITS

KOMATSU

Model	Application	Serial Number	Cylinder Number	Bore (mm)	Rod (mm)	Ref. Number RKOM-	\$
GD505A-2	SCARIFIER	11002-UP	238-63-32100	80.00	50.00	707/98/25170	171.32
	ARTICULATE	50003-UP	233-63-62300	90.00	50.00	707/98/25500	152.61
	BLADE LIFT	50003-UP	238-63-12100	80.00	50.00	707/98/25070	127.33
	BLADE SHIFT	50003-UP	238-63-42100	80.00	50.00	707/98/25170	171.32
	DRAWBAR SHIFT	50003-UP	238-63-22100	80.00	50.00	707/98/25070	127.33
	FRONT BLADE	50003-UP	232-63-33300	80.00	50.00	707/98/25060	166.16
	LEANING	50003-UP	238-63-52100	70.00	35.00	707/98/12600	78.25
	POWER TILT	50003-UP	238-63-18101	80.00	40.00	707/98/22100	117.49
	SCARIFIER	50003-UP	238-63-32100	80.00	50.00	707/98/25170	171.32
GD505R-2	BLADE LIFT	30002-UP	238-63-12100	80.00	50.00	707/98/25070	127.33
	BLADE SHIFT	30002-UP	238-63-42100	80.00	50.00	707/98/25170	171.32
	DRAWBAR SHIFT	30002-UP	238-63-22100	80.00	50.00	707/98/25070	127.33
	FRONT BLADE	30002-UP	232-63-33300	80.00	50.00	707/98/25060	166.16
	LEANING	30002-UP	238-63-52100	70.00	35.00	707/98/12600	78.25
	POWER TILT	30002-UP	238-63-18101	80.00	40.00	707/98/22100	117.49
	SCARIFIER	30002-UP	238-63-32100	80.00	50.00	707/98/25170	171.32
GD521A-1, GD521R-1, GD523R-1	FRONT BLADE	10001-UP	232-63-38100	90.00	45.00	707/98/24430	144.91
GD523A-1	FRONT BLADE	30001-UP	232-63-38100	90.00	45.00	707/98/24430	144.91
GD600R-3	BLADE LIFT	14001-UP	238-63-12100	80.00	50.00	707/98/25070	127.33
	DRAWBAR SHIFT	14001-UP	238-63-22100	80.00	50.00	707/98/25070	127.33
	FRONT BLADE	14001-UP	232-63-33300	80.00	50.00	707/98/25060	166.16
	POWER TILT	14001-UP	233-63-18101	80.00	40.00	707/98/22100	117.49
	STEERING	14001-UP	232-63-76101	60.00	35.00	707/98/12200	80.22
GD605A-3	ARTICULATE	54001-UP	233-63-62300	90.00	50.00	707/98/25500	152.61
	BLADE LIFT	54001-UP	238-63-12100	80.00	50.00	707/98/25070	127.33
	DRAWBAR SHIFT	54001-UP	238-63-22100	80.00	50.00	707/98/25070	127.33
	FRONT BLADE	54001-UP	232-63-33300	80.00	50.00	707/98/25060	166.16
	POWER TILT	54001-UP	238-63-18101	80.00	40.00	707/98/22100	117.49
GD611A-1, GD621A-1	STEERING	54001-UP	232-63-76101	60.00	35.00	707/98/12200	80.22
	ARTICULATE	10001-UP	238-63-62101	90.00	50.00	707/98/25430	141.07
GD611R-1, GD621R-1	FRONT BLADE	10001-UP	232-63-38100	90.00	45.00	707/98/24430	144.91
	FRONT BLADE	10001-UP	232-63-38100	90.00	45.00	707/98/24430	144.91
GD613A-1, GD663A-1	ARTICULATE	30001-UP	238-63-62101	90.00	50.00	707/98/25430	141.07

All manufacturer's names, part numbers and descriptions are used for reference purposes only. We do not imply that any part shown is the product of these manufacturers.

Tel.: (403) 279-1871  
Fax: (403) 279-1821

**KITS 469**

[www.sealsonline.com](http://www.sealsonline.com)

## KOMATSU

## MOTOR GRADER

Model	Application	Serial Number	Cylinder Number	Bore (mm)	Rod (mm)	Ref. Number RKOM-	\$
<b>GD615A-1</b>	ARTICULATE	50001-UP	23B-63-62101	90.00	50.00	707/98/25430	141.07
<b>GD623A-1</b>	ARTICULATE	30001-UP	23B-63-62101	90.00	50.00	707/98/25430	141.07
	FRONT BLADE	30001-UP	232-63-38100	90.00	45.00	707/98/24430	144.91
	SCARIFIER	30001-UP	23B-63-32102	90.00	50.00	707/98/25430	141.07
<b>GD625A-1</b>	ARTICULATE	50001-UP	23B-63-62101	90.00	50.00	707/98/25430	141.07
	SCARIFIER	50001-UP	23B-63-32102	90.00	50.00	707/98/25430	141.07
<b>GD705A-3</b>	BLADE LIFT	10002-UP	234-63-13001	90.00	55.00	707/98/26600	142.21
	DRAWBAR SHIFT	10002-UP	234-63-23000	90.00	55.00	707/98/26600	142.21
	LEANING	10002-UP	234-63-53002	90.00	45.00	707/98/24530	156.99
<b>GD705A-4</b>	POWER TILT	10002-UP	234-63-28001	100.00	50.00	707/99/33010	128.91
	RIPPER	10002-UP	234-63-25000	140.00	70.00	707/98/52100	270.64
	BLADE LIFT	31001-UP	234-63-13001	90.00	55.00	707/98/26600	142.21
	DRAWBAR SHIFT	31001-UP	234-63-23000	90.00	55.00	707/98/26600	142.21
	POWER TILT	31001-UP	234-63-28100	100.00	50.00	707/99/32010	146.51
	LEANING	31001-UP	234-63-53002	90.00	45.00	707/98/24530	156.99
<b>GD825A-1</b>	RIPPER	31001-UP	234-63-25001	140.00	70.00	707/98/52100	270.64
	ARTICULATE	10002-UP	235-63-63000	120.00	65.00	707/98/41110	221.48
	BLADE LIFT	10002-UP	235-63-16100	100.00	65.00	707/98/36230	130.30
<b>GD825A-1</b>	DRAWBAR SHIFT	10002-UP	235-63-22000	100.00	60.00	707/98/35110	133.68
	LEANING	10002-UP	235-63-53100	90.00	45.00	707/98/24500	107.75
	POWER TILT	10002-UP	235-63-28000	120.00	65.00	707/98/42100	169.15
	STEERING	10002-10043	235-63-76301	60.00	40.00	707/98/14030	93.62
	RIPPER	10044-UP	235-63-76303	60.00	40.00	707/98/14030	93.62
		10002-UP	235-63-25200	140.00	70.00	707/98/52100	270.64

## DUMP TRUCK

<b>HD325-3, HD325-5</b>	STEERING	1501-UP	561-63-11500	80.00	60.00	707/98/27100	132.17
<b>HD465-3</b>	STEERING	2001-UP	561-63-41203	80.00	60.00	707/98/27100	132.17
<b>HD785-3</b>	STEERING	2001-UP	561-63-61102	110.00	70.00	707/98/37570	162.23

All manufacturer's names, part numbers and descriptions are used for reference purposes only. We do not imply that any part shown is the product of these manufacturers.

INDUSTRIAL  
SEAL KITS

MOBILE  
SEAL KITS

KOMATSU

## TRACKED EXCAVATOR

## KOMATSU

INDUSTRIAL  
SEAL KITS

MOBILE  
SEAL KITS

KOMATSU

Model	Application	Serial Number	Cylinder Number	Bore (mm)	Rod (mm)	Ref. Number RKOM-	\$
<b>PC20-5</b>	ARM	18001-UP	20R-63-66300	80.00	40.00	707/98/22120	117.59
	BLADE	18001-UP	20S-63-96300	90.00	45.00	707/98/24600	159.78
	BOOM	18001-UP	20R-63-56500	80.00	40.00	707/98/22030	127.60
	BOOM SWING	18001-UP	20S-63-86301	70.00	35.00	707/98/12440	77.98
	BUCKET	18001-UP	20R-63-76301	70.00	35.00	707/98/12440	77.98
<b>PC30-5</b>	ARM	6001-UP	20S-63-66300	80.00	40.00	707/98/22120	117.59
	BLADE	6001-UP	20S-63-96300	90.00	45.00	707/98/24600	159.78
	BOOM	6001-UP	20S-63-56500	80.00	40.00	707/98/22030	127.60
	BOOM SWING	6001-UP	20S-63-86300	70.00	35.00	707/98/12440	77.98
	BUCKET	6001-UP	20S-63-76102	70.00	40.00	707/98/14430	91.55
<b>PC40-5</b>	BLADE	8501-UP	20S-63-96300	90.00	45.00	707/98/24600	159.78
	BOOM SWING	8501-UP	20T-63-02040	90.00	50.00	707/98/25500	152.61
<b>PC40-6</b>	BOOM SWING	10001-UP	20T-63-02140	90.00	50.00	707/98/25510	169.25
<b>PC60-5</b>	ARM	20501-UP	201-63-02020	90.00	60.00	707/98/27500	164.29
	BLADE	20501-UP	201-63-02070	100.00	60.00	707/98/35130	186.30
			201-63-02080	100.00	60.00	707/98/35130	186.30
	BOOM	20501-UP	201-63-02010	100.00	65.00	707/99/36260	190.11
<b>PC60L-5</b>	ARM	7501-UP	201-63-02020	90.00	60.00	707/98/27500	164.29
	BLADE	4501-UP	201-63-02070	100.00	60.00	707/98/35130	186.30
			201-63-02080	100.00	60.00	707/98/35130	186.30
			201-63-02010	100.00	65.00	707/99/36260	190.11
	BOOM	4501-UP	201-63-02040	100.00	65.00	707/99/36260	190.11
<b>PC75UU-1</b>	ARM	1001-UP	21W-63-02021	90.00	60.00	707/98/27500	164.29
	BLADE	1001-UP	21W-63-02051	130.00	70.00	707/98/43510	268.65
<b>PC80-3, PC80LC-3</b>	ARM	2001-UP	20X-63-02020	100.00	65.00	707/99/36270	189.94
<b>PC90-1</b>	ARM	1001-UP	20X-63-02210	105.00	65.00	707/99/36620	312.59
	BOOM	1001-UP	20X-63-02200	110.00	70.00	707/99/37610	331.95
<b>PC100-1, PC100-2</b>	ARM		202-63-62140	120.00	70.00	707/99/43100	189.66
<b>PC100-3</b>	ARM	10001-19852	202-63-62500	110.00	75.00	707/98/38600	187.89
		19853-UP	202-63-69300	110.00	75.00	707/98/38600	187.89
	BOOM	18001-22872	202-63-52500	100.00	65.00	707/98/36100	159.51
			202-63-52600	100.00	65.00	707/98/36100	159.51
			202-63-59300	100.00	65.00	707/99/36200	230.76
	22873-UP	202-63-59400	100.00	65.00	707/99/36200	230.76	

All manufacturer's names, part numbers and descriptions are used for reference purposes only. We do not imply that any part shown is the product of these manufacturers.

Tel.: (604) 278-6808  
Fax: (604) 278-6180

**KITS 471**

[www.sealsonline.com](http://www.sealsonline.com)

## KOMATSU

## TRACKED EXCAVATOR

Model	Application	Serial Number	Cylinder Number	Bore (mm)	Rod (mm)	Ref. Number RKOM-	\$
PC100-5	BUCKET	10001-19852	203-63-72500	100.00	65.00	707/98/36110	119.36
		19853-UP	203-63-79300	100.00	65.00	707/99/36210	190.50
	ARM	28001-UP	202-63-02120	115.00	75.00	707/99/44200	156.21
	BOOM	28001-UP	202-63-02100	95.00	65.00	707/98/36200	283.45
	BUCKET	28001-UP	202-63-02130	90.00	60.00	707/98/27600	228.06
PC100L-3	ARM	12001-12137	202-63-62500	110.00	75.00	707/98/38600	187.89
		12138-UP	202-63-69300	110.00	75.00	707/98/38600	187.89
	BOOM	12001-12367	202-63-52500	100.00	65.00	707/98/36100	159.51
			202-63-52600	100.00	65.00	707/98/36100	159.51
			12368-UP	202-63-59300	100.00	65.00	707/99/36200
			202-63-59400	100.00	65.00	707/99/36200	230.76
PC100L-5	BUCKET	12001-12137	203-63-72500	100.00	65.00	707/98/36110	119.36
		12138-UP	203-63-79300	95.00	65.00	707/98/36210	242.75
	ARM	14001-UP	202-63-02120	115.00	75.00	707/99/44200	156.21
	BOOM	14001-UP	202-63-02100	95.00	65.00	707/98/36200	283.45
PC100U-3	BUCKET	14001-UP	202-63-02130	90.00	60.00	707/98/27600	228.06
	ARM	12001-12019	202-63-62500	110.00	75.00	707/98/38600	187.89
		12020-UP	202-63-62502	110.00	75.00	707/98/38600	187.89
	BOOM	12001-UP	202-63-53500	100.00	65.00	707/98/36100	159.51
			202-63-53600	100.00	65.00	707/98/36100	159.51
	BOOM SWING	12001-UP	202-63-13501	120.00	75.00	707/98/44120	238.80
	BUCKET	12001-12019	202-63-72500	100.00	65.00	707/98/36110	119.36
PC120-1, PC120-2		12020-UP	203-63-72501	100.00	65.00	707/98/36110	119.36
	ARM		203-63-62340	130.00	80.00	707/98/45700	280.57
	BOOM		203-63-52340	120.00	70.00	707/99/43100	189.66
	BUCKET		203-63-72340	120.00	70.00	707/99/43100	189.66
PC120-3	ARM	18001-20335	203-63-62500	110.00	75.00	707/98/38600	187.89
		20336-24709	203-63-62502	110.00	75.00	707/98/38600	187.89
		24710-UP	203-63-69300	110.00	75.00	707/98/38600	187.89
	BOOM	18001-24709	203-63-52500	110.00	70.00	707/98/37500	173.76
			203-63-52600	110.00	70.00	707/98/37500	173.76
		24710-UP	203-63-59300	110.00	70.00	707/99/37600	207.72
PC120-5	BUCKET	18001-20335	203-63-59400	110.00	70.00	707/99/37600	207.72
		20336-UP	203-63-72500	100.00	65.00	707/98/36110	119.36
			203-63-79300	100.00	65.00	707/99/36210	190.50
	ARM	30001-UP	203-63-02120	115.00	75.00	707/99/44200	156.21
	BOOM	30001-UP	203-63-02100	105.00	70.00	707/98/37620	171.36
	BUCKET	30001-UP	203-63-02130	95.00	65.00	707/98/36210	242.75
PC120-6	ARM	45001-56999	203-63-02322	115.00	75.00	707/99/44200	156.21
	BOOM	45001-56999	203-63-02303	105.00	70.00	707/98/37620	171.36
	BUCKET	45001-56999	203-63-02332	95.00	65.00	707/98/36210	242.74

All manufacturer's names, part numbers and descriptions are used for reference purposes only. We do not imply that any part shown is the product of these manufacturers.

INDUSTRIAL  
SEAL KITS

MOBILE  
SEAL KITS

KOMATSU

## TRACKED EXCAVATOR

## KOMATSU

INDUSTRIAL  
SEAL KITS

MOBILE  
SEAL KITS

KOMATSU

Model	Application	Serial Number	Cylinder Number	Bore (mm)	Rod (mm)	Ref. Number RKOM-	\$
PC150-1	ARM BOOM			120.00	80.00	707/98/45200	246.67
				110.00	75.00	707/98/38510	177.49
PC150-3	ARM	3001-4369	21K-63-66500	120.00	80.00	707/98/45200	246.67
		4370-UP	21K-63-66501	120.00	80.00	707/98/45200	246.67
	BOOM	3001-4207	21K-63-56500	110.00	75.00	707/98/38510	177.49
			21K-63-56600	110.00	75.00	707/98/38510	177.49
	BUCKET	4208-UP	21K-63-56501	110.00	75.00	707/98/38510	177.49
			21K-63-56601	110.00	75.00	707/98/38510	177.49
		3001-3480	21K-63-76500	100.00	70.00	707/98/37110	202.94
		3481-UP	21K-63-76501	100.00	70.00	707/98/37130	166.35
PC150-5	ARM	6001-UP	21K-63-02120	120.00	85.00	707/99/46200	339.52
	BOOM	6001-UP	21K-63-02100	110.00	75.00	707/98/38520	315.39
	BUCKET	6001-UP	21K-63-02130	110.00	70.00	707/98/37110	202.94
PC150LC-3	ARM	3001-4384	21K-63-66500	120.00	80.00	707/98/45200	246.67
		4385-UP	21K-63-66501	120.00	80.00	707/98/45200	246.67
	BOOM	3001-4207	21K-63-56500	110.00	75.00	707/98/38510	177.49
			21K-63-56600	110.00	75.00	707/98/38510	177.49
		4208-UP	21K-63-56501	110.00	75.00	707/98/38510	177.49
			21K-63-56601	110.00	75.00	707/98/38510	177.49
	BUCKET	3001-3493	21K-63-76500	100.00	70.00	707/98/37110	202.94
		3494-UP	21K-63-76501	100.00	70.00	707/98/37130	166.35
PC200-1	ARM						
	BOOM		205-63-55141	130.00	90.00	707/98/47500	245.46
	BUCKET		205-63-75141	130.00	80.00	707/98/45700	280.57
PC200-2	ARM						
	BOOM						
	BUCKET		206-63-75141	130.00	80.00	707/98/45700	280.57
PC200-3, PC200LC-3	ARM	20001-35302	205-63-62101	130.00	95.00	707/98/48600	298.72
		35303-UP	205-63-69300	130.00	95.00	707/99/48610	300.48
	BOOM	20001-35302	205-63-52100	120.00	85.00	707/98/46200	257.34
		205-63-52200	120.00	85.00	707/98/46200	257.34	
PC200-3, PC200LC-3		35303-UP	205-63-59300	120.00	85.00	707/98/46270	381.67
			205-63-59400	120.00	85.00	707/98/46270	381.67
	BOOM (SLF)	20001-35302	206-63-52100	130.00	90.00	707/98/47600	294.22
			206-63-52200	130.00	90.00	707/98/47600	294.22
		35303-UP	206-63-59300	130.00	90.00	707/98/47620	348.24
			206-63-59400	130.00	90.00	707/98/47620	348.24
	BUCKET	20001-35302	205-63-72100	110.00	75.00	707/98/38500	168.50
		35303-UP	205-63-79300	110.00	75.00	707/98/38500	168.50
	BUCKET(1,8M ARM)	20001-UP	205-63-72301	120.00	85.00	707/98/46100	208.47
		20001-UP	205-63-79700	120.00	85.00	707/99/46210	341.32
BUCKET (SLF)	20001-UP	203-63-72500	100.00	65.00	707/98/36110	119.36	

All manufacturer's names, part numbers and descriptions are used for reference purposes only. We do not imply that any part shown is the product of these manufacturers.

Tel.: (418) 688-3202  
Fax: (418) 688-4272

**KITS 473**

[www.sealsonline.com](http://www.sealsonline.com)

## KOMATSU

## TRACKED EXCAVATOR

Model	Application	Serial Number	Cylinder Number	Bore (mm)	Rod (mm)	Ref. Number RKOM-	\$	
<b>PC200-5, PC200LC-5</b>	ARM	450001-UP	205-63-02120	135.00	95.00	707/99/57200	279.48	
	BOOM	450001-UP	205-63-02100	120.00	85.00	707/99/46600	210.74	
	BOOM (SLF)	450001-UP	206-63-02100	130.00	90.00	707/99/47600	232.00	
	BUCKET	450001-UP	205-63-02130	115.00	80.00	707/98/45220	315.76	
	BUCKET (H.D.)	450001-UP	206-63-02130	130.00	90.00	707/98/47620	348.24	
	BUCKET (SLF)	450001-UP	203-63-02130	95.00	65.00	707/98/36210	242.75	
<b>PC210-6, PC210LC-6</b>	ARM	205-63-63340	A82001-UP	135.00	95.00	707/99/57200	279.48	
	BOOM	206-63-54141	A82001-UP	130.00	90.00	707/99/47600	232.00	
	BUCKET	205-63-73310	A82001-UP	115.00	80.00	707/98/45220	315.76	
	BUCKET (SPEC.)	206-63-73340	A82001-UP	130.00	90.00	707/98/47620	348.24	
<b>PC220, PC220L, PC220-2, PC220LC-2</b>	BUCKET			130.00	80.00	707/98/45700	280.57	
	<b>PC220-3, PC220LC-3</b>	ARM	20001-23737	206-63-62101	140.00	95.00	707/98/57201	151.57
		ARM (SLF)	20001-23614 23615-UP	205-63-62101 205-63-69300	130.00 130.00	95.00 95.00	707/98/48600 707/99/48610	298.72 300.48
	BOOM	20001-23737	206-63-52100	130.00	90.00	707/98/47600	294.22	
20001-23737 23738-UP		206-63-52200 206-63-59300	130.00 130.00	90.00 90.00	707/98/47600 707/98/47620	294.22 348.24		
BUCKET	23738-UP	206-63-59400	130.00	90.00	707/98/47620	348.24		
	20001-23737	206-63-72100	130.00	90.00	707/98/47500	245.46		
	23738-UP	206-63-79300	130.00	90.00	707/99/47610	348.71		
	BUCKET (2M ARM)	20001-UP	206-63-72300	140.00	100.00	707/98/58230	165.59	
BUCKET (SLF)	20001-UP	203-63-72500	100.00	65.00	707/98/36110	119.36		
<b>PC220-5, PC220-LC5</b>	ARM	35001-UP	206-63-02120	140.00	100.00	707/99/58200	348.85	
	ARM (SLF)	35001-UP	205-63-02120	135.00	95.00	707/99/57200	279.48	
	BOOM SWING	35001-UP	206-63-02100	130.00	90.00	707/99/47600	232.00	
	BUCKET	35001-UP	206-63-02130	130.00	90.00	707/98/47620	348.24	
	BUCKET (SLF)	35001-UP	203-63-02130	95.00	65.00	707/98/36210	242.75	
<b>PC220-LC-6 PC280LC-3</b>	BUCKET	83440-UP	205-63-03131	130.00	90.00	707/99/47670	513.46	
	ARM	10001-UP	206-63-62101	140.00	95.00	707/98/57201	151.57	
	ARM (SLF)	10001-UP	205-63-62101	130.00	95.00	707/98/48600	298.72	
	BOOM	10001-UP	206-63-52100	130.00	90.00	707/98/47600	294.22	
		10001-UP	206-63-52200	130.00	90.00	707/98/47600	294.22	
	BUCKET	10001-UP	206-63-72100	130.00	90.00	707/98/47500	245.46	
	BUCKET (2M ARM)	10001-UP	206-63-72300	140.00	100.00	707/98/58230	165.59	
	BUCKET (SLF)	10001-UP	206-63-72500	100.00	65.00	707/98/36110	119.36	
	CLAMSHELL	10001-UP	206-63-96101	130.00	90.00	707/98/47680	200.53	

All manufacturer's names, part numbers and descriptions are used for reference purposes only. We do not imply that any part shown is the product of these manufacturers.

## TRACKED EXCAVATOR

## KOMATSU

Model	Application	Serial Number	Cylinder Number	Bore (mm)	Rod (mm)	Ref. Number RKOM-	\$
<b>PC300-3, PC300-LC3</b>	ARM	12001-UP	207-63-62101	160.00	110.00	707/98/67100	231.46
	BOOM	12001-UP	207-63-52100	140.00	100.00	707/98/58200	295.62
		12001-UP	207-63-52200	140.00	100.00	707/98/58200	295.62
	BUCKET	12001-UP	207-63-72101	140.00	100.00	707/98/58210	241.16
	CLAMSHELL	12001-UP	206-63-96101	130.00	90.00	707/98/47680	200.53
	WEIGHT REMOVER	12001-UP	208-63-07011	130.00	85.00	707/98/46600	243.39
<b>PC300-5, PC300LC-5</b>	ARM	20001-UP	207-63-02120	160.00	110.00	707/99/67110	312.44
	BOOM	20001-UP	207-63-02100	140.00	100.00	707/99/58210	355.55
	BUCKET	20001-UP	207-63-02130	140.00	100.00	707/99/58110	326.30
<b>PC360LC-3</b>	ARM	10001-UP	207-63-62101	160.00	110.00	707/98/67100	231.46
	BOOM	10001-UP	207-63-52100	140.00	100.00	707/98/58200	295.62
		10001-UP	207-63-52200	140.00	100.00	707/98/58200	295.62
	BUCKET	10001-UP	207-63-72101	140.00	100.00	707/98/58210	241.16
	CLAMSHELL	10001-UP	206-63-96101	130.00	90.00	707/98/47680	200.53
	WEIGHT REMOVER	10001-UP	208-63-07011	130.00	85.00	707/98/46600	243.39
<b>PC400-3, PC400LC-3</b>	ARM (B/H)	11001-UP	208-63-62101	180.00	120.00	707/98/68500	276.27
	ARM (L/S)	11001-UP	208-63-64101	180.00	120.00	707/98/68400	290.68
	BOOM (B/H)	11001-UP	208-63-52101	160.00	110.00	707/98/67100	231.46
		11001-UP	208-63-52201	160.00	110.00	707/98/67100	231.46
	BOOM (L/S)	11001-UP	208-63-54103	160.00	110.00	707/98/67110	283.26
		11001-UP	208-63-54203	160.00	110.00	707/98/67110	283.26
	BOTTOM DUMP	11001-UP	208-63-94100	130.00	95.00	707/98/48500	287.19
		11001-UP	208-63-94200	130.00	95.00	707/98/48500	287.19
	BUCKET (B/H)	11001-UP	208-63-72101	180.00	120.00	707/98/68500	276.27
	BUCKET (L/S)	11001-UP	208-63-74100	130.00	95.00	707/98/48510	303.10
		11001-UP	208-63-74200	130.00	95.00	707/98/48510	303.10
	CLAMSHELL	11001-UP	208-63-92100	140.00	100.00	707/98/58230	165.59
	WEIGHT REMOVER	11001-UP	208-63-07011	130.00	85.00	707/98/46600	243.39
<b>PC400-5, PC400LC-5</b>	ARM	20001-UP	208-63-02120	185.00	120.00	707/99/68510	361.06
	BOOM	20001-UP	208-63-02100	160.00	110.00	707/99/67120	329.95
	BUCKET	20001-UP	208-63-02130	160.00	110.00	707/99/67010	381.29
<b>PC1000-1</b>	ARM (B/H)	10001-UP	21N-63-02030	250.00	170.00	707/99/89200	717.57
	ARM (L/S)	10001-UP	21N-63-03030	180.00	130.00	707/99/69620	474.32
	BOOM (B/H)	10001-UP	21N-63-02010	225.00	160.00	707/99/78620	1189.52
	BOOM (L/S)	10001-UP	21N-63-03010	225.00	160.00	707/99/78620	1189.52
	BUCKET (B/H)	10001-UP	21N-63-02040	225.00	160.00	707/99/78630	1189.16
	BUCKET (L/S)	10001-UP	21N-63-03050	200.00	140.00	707/99/77250	701.81
	BOTTOM DUMP	10001-UP	21N-63-03071	140.00	90.00	707/99/56310	388.33
<b>PC1000SE-1</b>	ARM (L/S)	10001-UP	21N-63-02030	250.00	170.00	707/99/89200	717.57
	BOOM	10001-UP	21N-63-02010	225.00	160.00	707/99/78620	1189.52
	BUCKET	10001-UP	21N-63-02060	225.00	160.00	707/99/78630	1189.16

All manufacturer's names, part numbers and descriptions are used for reference purposes only. We do not imply that any part shown is the product of these manufacturers.

Tel.: (514) 334-2220  
Fax: (514) 333-8329

**KITS 475**

[www.sealsonline.com](http://www.sealsonline.com)

INDUSTRIAL  
SEAL KITS

MOBILE  
SEAL KITS

**KOMATSU**



## KOMATSU

## WHEELED EXCAVATOR

Model	Application	Serial Number	Cylinder Number	Bore (mm)	Rod (mm)	Ref. Number RKOM-	\$
PW20-1	ARM	1001-UP	20R-63-66300	80.00	40.00	707/98/22040	117.59
	BOOM	1001-UP	20R-63-56500	80.00	40.00	707/98/22110	111.80
	BLADE	1001-UP	21E-63-02010	90.00	45.00	707/98/24430	144.91
PW30-1	ARM	1001-UP	20R-63-66300	80.00	40.00	707/98/22040	117.59
	BOOM	1001-UP	20R-63-56500	80.00	40.00	707/98/22110	111.80
	BUCKET	1001-UP	20S-63-76102	70.00	40.00	707/98/14600	91.45
PW60-3	BLADE	1001-UP	21E-63-02010	90.00	45.00	707/98/24430	144.91
	BOOM	2001-UP	20B-63-02060	70.00	45.00	707/98/15720	134.16
	OUTRIGGER	2001-UP	201-63-02010	100.00	65.00	707/99/36260	190.11
PW100-1	OUTRIGGER	2001-UP	20B-63-02020	70.00	45.00	707/98/15700	95.68
	ARM	1003-UP	202-63-62100	120.00	70.00	707/98/43100	235.70
	BLADE	1003-UP	20D-63-96300	90.00	50.00	707/98/25510	169.25
		1003-UP	20D-63-96400	90.00	50.00	707/98/25510	169.25
	BOOM	1003-UP	202-63-52100	110.00	65.00	707/98/36510	171.32
		1003-UP	202-63-52200	110.00	65.00	707/98/36510	171.32
	BUCKET	1003-UP	202-63-72100	110.00	65.00	707/98/36520	126.84
	OUTRIGGER	1003-UP	20D-63-12700	110.00	65.00	707/98/36500	148.94
PW100-3		1003-UP	20D-63-12800	110.00	65.00	707/98/36500	148.94
	STEERING	1003-UP	20D-63-22301	60.00	30.00	707/99/11030	79.55
	OUTRIGGER	1601-UP	20G-63-12101	110.00	70.00	707/98/37500	173.76
PW100N-3	ARM	1601-1667	202-63-62500	110.00	75.00	707/98/38600	187.89
		1668-2300	202-63-62502	110.00	75.00	707/98/38600	187.89
		2301-UP	20D-63-02030	110.00	75.00	707/98/38600	187.89
	BOOM	1601-2300	202-63-52500	100.00	65.00	707/98/36100	159.51
		1601-2300	202-63-52600	100.00	65.00	707/98/36100	159.51
		2301-UP	20D-63-02010	100.00	65.00	707/98/36100	159.51
	BUCKET	1601-1667	202-63-72500	100.00	65.00	707/98/36110	119.36
		1668-2300	202-63-72501	100.00	65.00	707/98/36110	119.36
		2301-UP	20D-63-02040	100.00	65.00	707/98/36110	119.36
	OUTRIGGER	1601-UP	20D-63-13100	110.00	65.00	707/98/36560	148.85
	1601-UP	20D-63-13200	110.00	65.00	707/98/36560	148.85	
PW150-1	ARM	1001-UP	20G-63-62100	130.00	90.00	707/98/47510	283.82
	ARM (LOCK VALVE)	1001-UP	20G-63-62141	130.00	90.00	707/98/47510	283.82
	BLADE	1001-UP	20G-63-92110	110.00	70.00	707/98/37500	173.76
	OUTRIGGER	1001-1283	20G-63-12100	110.00	70.00	707/98/37500	173.76
		1001-1283	20G-63-12200	110.00	70.00	707/98/37500	173.76
		1284-UP	20G-63-12101	110.00	70.00	707/98/37500	173.76
		1284-UP	20G-63-12201	110.00	70.00	707/98/37500	173.76
	SUSPENSION LOCK	1001-UP	20G-63-32100	110.00	70.00	707/98/37500	173.76

All manufacturer's names, part numbers and descriptions are used for reference purposes only. We do not imply that any part shown is the product of these manufacturers.

## WHEELED EXCAVATOR

## KOMATSU

Model	Application	Serial Number	Cylinder Number	Bore (mm)	Rod (mm)	Ref. Number RKOM-	\$
PW210-1	ARM	10001-UP	205-63-62101	130.00	95.00	707/98/48600	298.72
	BOOM	10001-UP	205-63-52100	120.00	85.00	707/98/46200	257.34
		10001-UP	206-63-52200	120.00	85.00	707/98/46200	257.34
		10001-UP	205-63-72100	110.00	75.00	707/98/38500	168.50
	BUCKET	10001-UP	205-63-72301	120.00	85.00	707/98/46100	208.47
	BUCKET (1.8M)	10001-UP	20K-63-02010	130.00	80.00	707/98/45700	280.57
	OUTRIGGER	10001-UP	20K-63-02030	90.00	40.00	707/98/22430	105.32
	STEERING	10001-UP	20G-63-32100	110.00	70.00	707/98/37500	173.76
SUSPENSION LOCK	10001-UP						

## WHEEL LOADER

WA30-1	LIFT	1001-UP	362-63-12100	60.00	35.00	707/98/12100	80.22
		1001-UP	362-63-12200	60.00	35.00	707/98/12100	80.22
	DUMP	1001-UP	362-63-22101	60.00	35.00	707/98/12110	81.91
	STEERING	1001-UP	362-63-52101	60.00	30.00	707/99/11040	79.55
WA30-2	LIFT	3001-4101	362-63-12100	60.00	35.00	707/98/12100	80.22
		3001-4101	362-63-12200	60.00	35.00	707/98/12100	80.22
	DUMP	1001-UP	362-63-22101	60.00	35.00	707/98/12110	81.91
	STEERING	3001-4101	362-63-52101	60.00	30.00	707/99/11040	79.55
WA70-1	DUMP	10001-11999	707-00-80041	80.00	40.00	707/99/22100	158.59
		12001-UP	707-00-01200	80.00	40.00	707/99/22100	158.59
	DUMP (HI-LIFT)	10001-11999	707-00-80540	80.00	40.00	707/99/22100	158.59
WA100-1	CLAM	10001-UP	707-00-90010	90.00	50.00	707/99/25520	153.05
	DUMP	10001-UP	707-00-10031	100.00	50.00	707/99/32100	125.01
	DUMP (HI-LIFT)	10001-UP	707-00-10400	100.00	50.00	707/99/32100	125.01
	DUMP (L. BUCKET)	10001-UP	707-00-11210	110.00	55.00	707/99/34500	106.82
	DUMP (LB. HI-LIFT)	10001-UP	707-00-11220	110.00	55.00	707/99/34500	106.82
	DUMP (S. HI-LIFT)	10001-UP	707-00-11230	110.00	55.00	707/99/34500	106.82
	GRAPPLE	10001-UP	707-00-80330	80.00	40.00	707/99/22100	158.59
	LIFT	10001-UP	707-00-10011	100.00	55.00	707/99/34100	107.83
			10001-UP	707-00-10021	100.00	55.00	707/99/34100
WA120-1	DUMP	10001-UP	707-00-12140	120.00	60.00	707/99/41100	156.79
	LIFT	10001-UP	707-00-11320	110.00	70.00	707/99/37500	117.79
		10001-UP	707-00-11330	110.00	70.00	707/99/37500	117.79
	STEERING	10001-UP	707-00-60022	60.00	40.00	707/99/14200	91.84
		10001-UP	707-00-60012	60.00	40.00	707/99/14200	91.84

All manufacturer's names, part numbers and descriptions are used for reference purposes only. We do not imply that any part shown is the product of these manufacturers.

Tel.: (905) 362-0889  
Fax: (888) 238-1664

**KITS 477**

[www.sealsonline.com](http://www.sealsonline.com)

INDUSTRIAL  
SEAL KITS

MOBILE  
SEAL KITS

KOMATSU

## KOMATSU

## WHEEL LOADER

Model	Application	Serial Number	Cylinder Number	Bore (mm)	Rod (mm)	Ref. Number RKOM-	\$
<b>WA150-1</b>	CLAM	10001-UP	707-00-90010	90.00	50.00	707/99/25520	153.05
	DUMP	10001-UP	707-00-12022	120.00	60.00	707/99/41100	156.79
	DUMP (HI-LIFT)	10001-UP	707-00-12300	120.00	60.00	707/99/41100	156.79
	GRAPPLE	10001-UP	707-00-80330	80.00	40.00	707/99/22100	158.59
	LIFT	10001-UP	707-00-11031	110.00	70.00	707/99/37500	117.79
		10001-UP	707-00-11041	110.00	70.00	707/99/37500	117.79
	STEERING	10001-19999	707-00-60021	60.00	40.00	707/99/14200	91.84
	10001-19999	707-00-60011	60.00	40.00	707/99/14200	91.84	
		20001-UP	707-00-60022	60.00	40.00	707/99/14200	91.84
		20001-UP	707-00-60012	60.00	40.00	707/99/14200	91.84
<b>WA180-1</b>	CLAM	10001-UP	707-00-90010	90.00	50.00	707/99/25520	153.05
	DUMP	10001-UP	707-01-13510	130.00	70.00	707/99/43500	193.78
		10001-UP	707-01-13190	130.00	70.00	707/99/43500	193.78
	LIFT	10001-10088	707-00-12080	120.00	70.00	707/99/43100	189.66
		10089-UP	707-00-12080	120.00	70.00	707/99/43100	189.66
	STEERING	10001-UP	707-00-70410	70.00	45.00	707/99/15600	133.77
		10001-UP	707-00-70420	70.00	45.00	707/99/15600	133.77
<b>WA200-1</b>	CLAM	10001-UP	707-00-10080	100.00	50.00	707/99/32100	125.01
	DUMP	10001-UP	707-00-13011	130.00	70.00	707/99/43500	193.78
	DUMP (HI-LIFT)	10001-UP	707-01-13020	130.00	70.00	707/99/43500	193.78
	GRAPPLE	10001-UP	707-00-80330	80.00	40.00	707/99/22100	158.59
	LIFT	10001-29999	707-00-12011	120.00	70.00	707/99/43100	189.66
	STEERING	10001-19999	707-00-70131	70.00	40.00	707/99/14600	133.21
		20001-29999	707-00-70132	70.00	40.00	707/99/14600	133.21
<b>WA250-1</b>	DUMP	10001-UP	707-01-15030	150.00	75.00	707/99/53500	217.61
	LIFT	10001-UP	707-01-13520	130.00	70.00	707/99/43500	193.78
	STEERING	10001-10628	707-00-70131	70.00	40.00	707/99/14600	133.21
		10629-UP	707-00-01350	70.00	40.00	707/99/14610	77.14
<b>WA300-1</b>	CLAM	10001-29999	707-00-12040	120.00	60.00	707/99/41140	219.91
	DUMP	10001-UP	707-01-16151	160.00	80.00	707/99/62010	199.20
	GRAPPLE	10001-29999	707-00-10040	100.00	50.00	707/99/32100	125.01
	LIFT	10001-29999	707-01-14131	140.00	80.00	707/99/54100	170.18
	STEERING	10001-29999	707-00-70131	70.00	40.00	707/99/14600	133.21
<b>WA320-1</b>	DUMP	10001-19999	707-01-16151	160.00	80.00	707/99/62010	199.20
		20001-UP	707-01-03710	160.00	80.00	707/99/62020	189.57
	LIFT	10001-19999	707-01-14131	140.00	80.00	707/99/54100	170.18
		20001-UP	707-01-03510	140.00	80.00	707/99/54100	170.18
	STEERING	10001-19999	707-00-70131	70.00	40.00	707/99/14600	133.21
		20001-UP	707-00-01380	70.00	40.00	707/99/14610	77.14

All manufacturer's names, part numbers and descriptions are used for reference purposes only. We do not imply that any part shown is the product of these manufacturers.

INDUSTRIAL  
SEAL KITS

MOBILE  
SEAL KITS

KOMATSU

## WHEEL LOADER

## KOMATSU

Model	Application	Serial Number	Cylinder Number	Bore (mm)	Rod (mm)	Ref. Number RKOM-	\$
WA350-1	CLAM DUMP	10001-UP	707-00-12030	120.00	60.00	707/99/41140	219.91
		10001-19999	707-01-18081	180.00	90.00	707/99/64400	293.73
		20001-UP	707-01-03700	180.00	90.00	707/99/64410	202.04
	GRAPPLE LIFT	10001-UP	707-00-10040	100.00	50.00	707/99/32100	125.01
		10001-19999	707-01-15071	150.00	90.00	707/99/56500	228.88
		20001-UP	707-01-03500	150.00	85.00	707/99/55500	181.43
	STEERING	10001-19999	707-00-80021	80.00	45.00	707/99/24110	112.62
		20001-UP	707-00-01800	80.00	45.00	707/99/24120	109.06
WA380-1	DUMP	10001-19999	707-01-18082	180.00	90.00	707/99/64400	293.73
		20001-UP	707-01-03700	180.00	90.00	707/99/64400	293.73
	LIFT	10001-19999	707-01-16280	150.00	90.00	707/99/64010	194.51
WA400-1	STEERING	20001-UP	707-01-01080	150.00	90.00	707/99/64010	194.51
		10001-19999	707-00-80021	80.00	45.00	707/99/24110	112.62
		20001-UP	707-00-01800	80.00	45.00	707/99/24120	109.06
	DUMP	10001-19999	707-01-20081	200.00	100.00	707/99/73010	186.57
		20001-UP	707-01-03271	200.00	100.00	707/99/73020	171.48
	LIFT	10001-19999	707-01-16081	160.00	100.00	707/99/66010	137.40
20001-UP		707-01-01070	150.00	90.00	707/99/64010	194.51	
LOG GRAPPLE LUMBER GRAPPLE STEERING		10001-19999	707-01-13260	130.00	70.00	707/99/43540	254.81
10001-19999	707-00-10040	100.00	50.00	707/99/32100	125.01		
10001-19999	707-00-90221	90.00	45.00	707/99/24500	121.16		
WA420-1	DUMP	10001-19999	707-01-20083	200.00	100.00	707/99/73010	186.57
		20001-UP	707-01-01270	200.00	100.00	707/99/73010	186.57
	LIFT	10001-19999	707-01-16081	160.00	100.00	707/99/66010	137.40
		20001-UP	707-01-01070	150.00	90.00	707/99/64010	194.51
	STEERING	10001-19999	707-00-90221	90.00	45.00	707/99/24500	121.16
WA450-1	DUMP	10001-19999	707-01-20121	200.00	100.00	707/99/73010	186.57
		20001-UP	707-01-03250	200.00	100.00	707/99/73020	171.48
	GRAPPLE LIFT	10001-19999	707-01-13260	130.00	70.00	707/99/43540	254.81
		10001-19999	707-01-18121	180.00	100.00	707/99/66400	271.31
	STEERING	20001-UP	707-01-03050	180.00	95.00	707/99/65400	138.95
		10001-19999	707-00-10211	100.00	50.00	707/99/32100	125.01
WA470-1	DUMP	10001-19999	707-00-10231	100.00	50.00	707/99/32100	125.01
		20001-UP	707-00-01840	100.00	50.00	707/99/32110	104.56
		20001-UP	707-00-01940	100.00	50.00	707/99/32110	104.56
	DUMP	10001-19999	707-01-20121	200.00	100.00	707/99/73010	186.57
		20001-UP	707-01-03250	200.00	100.00	707/99/73020	171.48
	LIFT	10001-19999	707-01-18121	180.00	100.00	707/99/66400	271.31
		20001-UP	707-01-03050	180.00	95.00	707/99/65400	138.95
	STEERING	10001-19999	707-00-10211	100.00	50.00	707/99/32100	125.01
		10001-19999	707-00-10231	100.00	50.00	707/99/32100	125.01
		20001-UP	707-00-01840	100.00	50.00	707/99/32110	104.56
		20001-UP	707-00-01940	100.00	50.00	707/99/32110	104.56
		20001-UP	707-00-01940	100.00	50.00	707/99/32110	104.56

All manufacturer's names, part numbers and descriptions are used for reference purposes only. We do not imply that any part shown is the product of these manufacturers.

Tel.: (204) 783-9617  
Fax: (204) 783-6091

**KITS 479**

[www.sealsonline.com](http://www.sealsonline.com)

INDUSTRIAL  
SEAL KITS

MOBILE  
SEAL KITS

**KOMATSU**

## KOMATSU

## WHEEL LOADER

Model	Application	Serial Number	Cylinder Number	Bore (mm)	Rod (mm)	Ref. Number RKOM-	\$
<b>WA500-1</b>	DUMP	10001-UP	707-01-22014	225.00	120.00	707/99/75400	241.02
	GRAPPLE	10001-UP	707-01-14011	140.00	70.00	707/99/52100	219.52
	LIFT	10001-UP	707-01-20012	200.00	110.00	707/99/74010	215.01
	STEERING	10001-UP	707-00-11011	110.00	55.00	707/99/34500	106.82
<b>WA600-1</b>	DUMP	10001-UP	707-01-28015	280.00	140.00	707/99/84400	378.53
	GRAPPLE	10001-UP	707-01-14011	140.00	70.00	707/99/52100	219.52
	LIFT	10001-UP	707-01-22111	225.00	120.00	707/99/75410	238.23
	STEERING	10001-UP	707-01-13081	130.00	70.00	707/99/43500	193.78
		10001-UP	707-01-13071	130.00	70.00	707/99/43500	193.78
<b>WA800-1, WA800-2</b>	DUMP	10001-UP	707-01-01210	300.00	180.00	707/99/96200	1508.59
	DUMP (HI-LIFT)	10001-UP	707-01-02100	300.00	180.00	707/99/96200	1508.59
	LIFT	10001-UP	707-01-01010	260.00	160.00	707/99/85900	937.92
	LIFT (HI-LIFT)	10001-UP	707-01-02090	260.00	160.00	707/99/85900	937.92
	STEERING	10001-UP	707-01-16181	160.00	100.00	707/99/66210	287.58
		10001-UP	707-01-16191	160.00	100.00	707/99/66210	287.58

## KOMATSU

## KIT LISTING

Ref. Number	Desc.	Bore	Rod	\$	Ref. Number	Desc.	Bore	Rod	\$
RKOM-109508	SEAL KIT	110.00	65.00	401.64	RKOM-707/98/12110	SEAL KIT	60.00	35.00	81.91
RKOM-111506	SEAL KIT	160.00	90.00	458.50	RKOM-707/98/12200	SEAL KIT	60.00	35.00	80.22
RKOM-111507	SEAL KIT	160.00	90.00	534.79	RKOM-707/98/12440	SEAL KIT	70.00	35.00	77.98
RKOM-111519	SEAL KIT	225.00	90.00	675.30	RKOM-707/98/12470	SEAL KIT	70.00	35.00	83.51
RKOM-111521	SEAL KIT	250.00	90.00	691.87	RKOM-707/98/12550	SEAL KIT	70.00	35.00	78.17
RKOM-111522	SEAL KIT	250.00	90.00	640.76	RKOM-707/98/12600	SEAL KIT	70.00	35.00	78.25
RKOM-114/63/05030	SEAL KIT	90.00	40.00	97.72	RKOM-707/98/14030	SEAL KIT	60.00	40.00	93.62
RKOM-115516	SEAL KIT	140.00	75.00	394.37	RKOM-707/98/14240	SEAL KIT	60.00	40.00	93.62
RKOM-115517	SEAL KIT	140.00	75.00	418.88	RKOM-707/98/14430	SEAL KIT	70.00	40.00	91.55
RKOM-12F/63/05020	SEAL KIT	70.00	45.00	90.89	RKOM-707/98/14600	SEAL KIT	70.00	40.00	91.45
RKOM-12F/63/05060	SEAL KIT	100.00	45.00	151.37	RKOM-707/98/14700	SEAL KIT	70.00	40.00	91.45
RKOM-130/63/05020	SEAL KIT	90.00	55.00	126.19	RKOM-707/98/15650	SEAL KIT	70.00	45.00	91.09
RKOM-135/63/05030	SEAL KIT	140.00	65.00	248.95	RKOM-707/98/15700	SEAL KIT	70.00	45.00	95.68
RKOM-135/63/05050	SEAL KIT	150.00	70.00	273.89	RKOM-707/98/15720	SEAL KIT	70.00	45.00	134.16
RKOM-141/63/05010	SEAL KIT	140.00	60.00	198.17	RKOM-707/98/22030	SEAL KIT	80.00	40.00	127.60
RKOM-141/63/05050	SEAL KIT	160.00	75.00	224.85	RKOM-707/98/22040	SEAL KIT	80.00	40.00	117.59
RKOM-144/60/00050K	SEAL KIT	110.00	65.00	159.36	RKOM-707/98/22100	SEAL KIT	80.00	40.00	117.49
RKOM-144/63/05050	SEAL KIT	110.00	65.00	187.59	RKOM-707/98/22110	SEAL KIT	80.00	40.00	111.80
RKOM-144/63/05080	SEAL KIT	160.00	70.00	172.52	RKOM-707/98/22120	SEAL KIT	80.00	40.00	117.59
RKOM-144/63/12200K	SEAL KIT	110.00	65.00	231.21	RKOM-707/98/22410	SEAL KIT	90.00	40.00	102.43
RKOM-144/63/52100K	SEAL KIT	160.00	70.00	324.64	RKOM-707/98/22420	SEAL KIT	90.00	40.00	102.43
RKOM-175/63/05140	SEAL KIT	225.00	90.00	342.49	RKOM-707/98/22430	SEAL KIT	90.00	40.00	105.32
RKOM-707/98/11020	SEAL KIT	60.00	30.00	58.70	RKOM-707/98/22500	SEAL KIT	90.00	40.00	104.66
RKOM-707/98/12100	SEAL KIT	60.00	35.00	80.22	RKOM-707/98/24040	SEAL KIT	80.00	45.00	119.36

All manufacturer's names, part numbers and descriptions are used for reference purposes only. We do not imply that any part shown is the product of these manufacturers.

INDUSTRIAL SEAL KITS

MOBILE SEAL KITS

KOMATSU

## KIT LISTING

## KOMATSU

INDUSTRIAL SEAL KITS

MOBILE SEAL KITS

KOMATSU

Ref. Number	Desc.	Bore	Rod	\$	Ref. Number	Desc.	Bore	Rod	\$
RKOM-707/98/24050	SEAL KIT	80.00	45.00	112.89	RKOM-707/98/41110	SEAL KIT	120.00	65.00	221.48
RKOM-707/98/24150	SEAL KIT	80.00	45.00	114.57	RKOM-707/98/41120	SEAL KIT	120.00	65.00	181.42
RKOM-707/98/24210	SEAL KIT	75.00	45.00	188.60	RKOM-707/98/41130	SEAL KIT	120.00	65.00	225.59
RKOM-707/98/24430	SEAL KIT	90.00	45.00	144.91	RKOM-707/98/41140	SEAL KIT	120.00	60.00	225.79
RKOM-707/98/24500	SEAL KIT	90.00	45.00	107.75	RKOM-707/98/42100	SEAL KIT	120.00	65.00	169.15
RKOM-707/98/24530	SEAL KIT	90.00	45.00	156.99	RKOM-707/98/42410	SEAL KIT	130.00	65.00	253.87
RKOM-707/98/24600	SEAL KIT	90.00	45.00	159.78	RKOM-707/98/43100	SEAL KIT	120.00	70.00	235.70
RKOM-707/98/25030	SEAL KIT	80.00	50.00	124.97	RKOM-707/98/43510	SEAL KIT	130.00	70.00	268.65
RKOM-707/98/25040	SEAL KIT	80.00	50.00	168.19	RKOM-707/98/44120	SEAL KIT	120.00	75.00	238.80
RKOM-707/98/25060	SEAL KIT	80.00	50.00	166.16	RKOM-707/98/45200	SEAL KIT	120.00	80.00	246.67
RKOM-707/98/25070	SEAL KIT	80.00	50.00	127.33	RKOM-707/98/45220	SEAL KIT	115.00	80.00	315.76
RKOM-707/98/25110	SEAL KIT	80.00	50.00	168.46	RKOM-707/98/45610	SEAL KIT	130.00	80.00	236.65
RKOM-707/98/25170	SEAL KIT	80.00	50.00	171.32	RKOM-707/98/45620	SEAL KIT	130.00	80.00	242.43
RKOM-707/98/25430	SEAL KIT	90.00	50.00	141.07	RKOM-707/98/45700	SEAL KIT	130.00	80.00	280.57
RKOM-707/98/25500	SEAL KIT	90.00	50.00	152.61	RKOM-707/98/46100	SEAL KIT	120.00	85.00	208.47
RKOM-707/98/25510	SEAL KIT	90.00	50.00	169.25	RKOM-707/98/46200	SEAL KIT	120.00	85.00	257.34
RKOM-707/98/26560	SEAL KIT	90.00	50.00	158.61	RKOM-707/98/46270	SEAL KIT	120.00	85.00	381.67
RKOM-707/98/26600	SEAL KIT	90.00	50.00	142.21	RKOM-707/98/46600	SEAL KIT	130.00	85.00	243.39
RKOM-707/98/26900	SEAL KIT	85.00	55.00	270.79	RKOM-707/98/47500	SEAL KIT	130.00	90.00	245.46
RKOM-707/98/27100	SEAL KIT	80.00	60.00	132.17	RKOM-707/98/47510	SEAL KIT	130.00	90.00	283.82
RKOM-707/98/27500	SEAL KIT	90.00	60.00	164.29	RKOM-707/98/47600	SEAL KIT	130.00	90.00	294.22
RKOM-707/98/27600	SEAL KIT	90.00	60.00	228.06	RKOM-707/98/47620	SEAL KIT	130.00	90.00	348.24
RKOM-707/98/28600	SEAL KIT	95.00	65.00	198.60	RKOM-707/98/47680	SEAL KIT	130.00	90.00	200.53
RKOM-707/98/32050	SEAL KIT	100.00	50.00	137.44	RKOM-707/98/48500	SEAL KIT	130.00	95.00	287.19
RKOM-707/98/35110	SEAL KIT	100.00	60.00	133.68	RKOM-707/98/48510	SEAL KIT	130.00	95.00	303.10
RKOM-707/98/35130	SEAL KIT	100.00	60.00	186.30	RKOM-707/98/48600	SEAL KIT	130.00	95.00	298.72
RKOM-707/98/35510	SEAL KIT	110.00	60.00	180.59	RKOM-707/98/48610	SEAL KIT	130.00	95.00	234.50
RKOM-707/98/36100	SEAL KIT	100.00	65.00	159.51	RKOM-707/98/51100	SEAL KIT	140.00	65.00	222.52
RKOM-707/98/36110	SEAL KIT	100.00	65.00	119.36	RKOM-707/98/51110	SEAL KIT	140.00	65.00	214.47
RKOM-707/98/36180	SEAL KIT	100.00	65.00	155.12	RKOM-707/98/52100	SEAL KIT	140.00	70.00	270.64
RKOM-707/98/36200	SEAL KIT	95.00	65.00	283.45	RKOM-707/98/52110	SEAL KIT	140.00	70.00	258.93
RKOM-707/98/36210	SEAL KIT	95.00	65.00	242.75	RKOM-707/98/52410	SEAL KIT	150.00	70.00	210.50
RKOM-707/98/36230	SEAL KIT	100.00	65.00	130.30	RKOM-707/98/52430	SEAL KIT	150.00	70.00	197.14
RKOM-707/98/36270	SEAL KIT	120.00	85.00	192.41	RKOM-707/98/53100	SEAL KIT	140.00	75.00	260.84
RKOM-707/98/36500	SEAL KIT	110.00	65.00	148.94	RKOM-707/98/54500	SEAL KIT	150.00	80.00	341.69
RKOM-707/98/36510	SEAL KIT	110.00	65.00	171.32	RKOM-707/98/54510	SEAL KIT	150.00	80.00	215.31
RKOM-707/98/36520	SEAL KIT	110.00	65.00	126.84	RKOM-707/98/56600	SEAL KIT	150.00	90.00	196.86
RKOM-707/98/36560	SEAL KIT	110.00	65.00	148.85	RKOM-707/98/56610	SEAL KIT	150.00	90.00	210.92
RKOM-707/98/37110	SEAL KIT	100.00	70.00	202.94	RKOM-707/98/57200	SEAL KIT	160.00	110.00	500.21
RKOM-707/98/37130	SEAL KIT	100.00	70.00	166.35	RKOM-707/98/57201	SEAL KIT	140.00	95.00	151.57
RKOM-707/98/37500	SEAL KIT	110.00	70.00	173.76	RKOM-707/98/57251	SEAL KIT	140.00	95.00	177.56
RKOM-707/98/37570	SEAL KIT	110.00	70.00	162.23	RKOM-707/98/58200	SEAL KIT	140.00	100.00	295.62
RKOM-707/98/37620	SEAL KIT	105.00	70.00	171.36	RKOM-707/98/58210	SEAL KIT	140.00	100.00	241.16
RKOM-707/98/38500	SEAL KIT	110.00	75.00	168.50	RKOM-707/98/58230	SEAL KIT	140.00	100.00	165.59
RKOM-707/98/38510	SEAL KIT	110.00	75.00	177.49	RKOM-707/98/60110	SEAL KIT	160.00	70.00	172.33
RKOM-707/98/38520	SEAL KIT	110.00	75.00	315.39	RKOM-707/98/60120	SEAL KIT	160.00	70.00	174.12
RKOM-707/98/38600	SEAL KIT	110.00	75.00	187.89	RKOM-707/98/60121	SEAL KIT	160.00	70.00	172.43
RKOM-707/98/41030	SEAL KIT	120.00	60.00	207.72	RKOM-707/98/61100	SEAL KIT	160.00	75.00	221.76

All manufacturer's names, part numbers and descriptions are used for reference purposes only. We do not imply that any part shown is the product of these manufacturers.

**Tel.: (780) 414-1871**  
**Fax: (780) 487-5419**

**KITS 481**

**www.sealsonline.com**

## KOMATSU

## KIT LISTING

Ref. Number	Desc.	Bore	Rod	\$	Ref. Number	Desc.	Bore	Rod	\$
RKOM-707/98/62100	SEAL KIT	160.00	80.00	165.86	RKOM-707/99/36200	SEAL KIT	100.00	65.00	230.76
RKOM-707/98/62120	SEAL KIT	160.00	80.00	199.20	RKOM-707/99/36210	SEAL KIT	100.00	65.00	190.50
RKOM-707/98/64400	SEAL KIT	180.00	90.00	299.50	RKOM-707/99/36260	SEAL KIT	100.00	65.00	190.11
RKOM-707/98/64410	SEAL KIT	180.00	90.00	201.55	RKOM-707/99/36270	SEAL KIT	100.00	65.00	189.94
RKOM-707/98/64420	SEAL KIT	180.00	90.00	203.85	RKOM-707/99/36410	SEAL KIT	110.00	60.00	158.02
RKOM-707/98/64450	SEAL KIT	180.00	90.00	194.44	RKOM-707/99/36420	SEAL KIT	110.00	65.00	177.30
RKOM-707/98/66410	SEAL KIT	180.00	100.00	388.30	RKOM-707/99/36620	SEAL KIT	105.00	65.00	312.59
RKOM-707/98/67100	SEAL KIT	160.00	110.00	231.46	RKOM-707/99/37500	SEAL KIT	110.00	70.00	117.79
RKOM-707/98/67110	SEAL KIT	160.00	110.00	283.26	RKOM-707/99/37600	SEAL KIT	110.00	70.00	207.72
RKOM-707/98/67120	SEAL KIT	160.00	110.00	666.70	RKOM-707/99/37610	SEAL KIT	110.00	70.00	331.95
RKOM-707/98/67510	SEAL KIT	180.00	110.00	572.87	RKOM-707/99/40040	SEAL KIT	120.00	55.00	201.91
RKOM-707/98/68400	SEAL KIT	180.00	120.00	290.68	RKOM-707/99/40100	SEAL KIT	120.00	50.00	195.27
RKOM-707/98/68500	SEAL KIT	180.00	120.00	276.27	RKOM-707/99/41100	SEAL KIT	120.00	60.00	156.79
RKOM-707/98/68510	SEAL KIT	180.00	120.00	345.37	RKOM-707/99/41140	SEAL KIT	120.00	60.00	219.91
RKOM-707/98/71100	SEAL KIT	200.00	90.00	268.50	RKOM-707/99/43010	SEAL KIT	120.00	70.00	180.30
RKOM-707/98/74100	SEAL KIT	200.00	110.00	400.20	RKOM-707/99/43020	SEAL KIT	200.00	100.00	207.49
RKOM-707/98/74400	SEAL KIT	225.00	110.00	552.29	RKOM-707/99/43100	SEAL KIT	120.00	70.00	189.66
RKOM-707/98/74410	SEAL KIT	225.00	110.00	390.24	RKOM-707/99/43500	SEAL KIT	130.00	70.00	193.78
RKOM-707/98/74420	SEAL KIT	225.00	110.00	329.24	RKOM-707/99/43540	SEAL KIT	130.00	70.00	254.81
RKOM-707/98/75020	SEAL KIT	200.00	120.00	298.16	RKOM-707/99/43590	SEAL KIT	130.00	70.00	238.79
RKOM-707/98/77020	SEAL KIT	200.00	140.00	358.13	RKOM-707/99/44120	SEAL KIT	200.00	110.00	308.08
RKOM-707/98/77030	SEAL KIT	200.00	140.00	724.38	RKOM-707/99/44200	SEAL KIT	115.00	75.00	156.21
RKOM-707/98/77400	SEAL KIT	225.00	140.00	881.33	RKOM-707/99/44220	SEAL KIT	115.00	75.00	292.73
RKOM-707/98/78400	SEAL KIT	225.00	160.00	890.51	RKOM-707/99/46200	SEAL KIT	120.00	85.00	339.52
RKOM-707/98/81010	SEAL KIT	250.00	110.00	408.57	RKOM-707/99/46210	SEAL KIT	120.00	85.00	341.32
RKOM-707/99/11030	SEAL KIT	60.00	30.00	79.55	RKOM-707/99/46600	SEAL KIT	120.00	85.00	210.74
RKOM-707/99/11040	SEAL KIT	60.00	30.00	79.55	RKOM-707/99/47600	SEAL KIT	130.00	90.00	232.00
RKOM-707/99/14200	SEAL KIT	60.00	40.00	91.84	RKOM-707/99/47610	SEAL KIT	130.00	90.00	348.71
RKOM-707/99/14600	SEAL KIT	70.00	40.00	133.21	RKOM-707/99/47670	SEAL KIT	130.00	90.00	337.00
RKOM-707/99/14610	SEAL KIT	70.00	40.00	77.14	RKOM-707/99/48610	SEAL KIT	130.00	95.00	300.48
RKOM-707/99/15600	SEAL KIT	70.00	45.00	133.77	RKOM-707/99/52100	SEAL KIT	140.00	70.00	219.52
RKOM-707/99/22010	SEAL KIT	80.00	40.00	110.19	RKOM-707/99/52600	SEAL KIT	150.00	70.00	212.33
RKOM-707/99/22100	SEAL KIT	80.00	40.00	158.59	RKOM-707/99/53500	SEAL KIT	150.00	75.00	217.61
RKOM-707/99/24110	SEAL KIT	80.00	45.00	112.62	RKOM-707/99/54100	SEAL KIT	140.00	80.00	170.18
RKOM-707/99/24120	SEAL KIT	80.00	45.00	109.06	RKOM-707/99/55500	SEAL KIT	150.00	85.00	181.43
RKOM-707/99/24500	SEAL KIT	90.00	45.00	121.16	RKOM-707/99/56310	SEAL KIT	140.00	90.00	388.33
RKOM-707/99/25520	SEAL KIT	90.00	50.00	153.05	RKOM-707/99/56500	SEAL KIT	150.00	90.00	228.88
RKOM-707/99/26410	SEAL KIT	90.00	55.00	126.19	RKOM-707/99/57200	SEAL KIT	135.00	95.00	279.48
RKOM-707/99/32010	SEAL KIT	100.00	50.00	146.51	RKOM-707/99/57250	SEAL KIT	135.00	95.00	270.05
RKOM-707/99/32100	SEAL KIT	100.00	50.00	125.01	RKOM-707/99/58110	SEAL KIT	140.00	100.00	326.30
RKOM-707/99/32110	SEAL KIT	100.00	50.00	104.56	RKOM-707/99/58200	SEAL KIT	140.00	100.00	348.85
RKOM-707/99/33010	SEAL KIT	100.00	50.00	128.91	RKOM-707/99/58210	SEAL KIT	140.00	100.00	355.55
RKOM-707/99/34030	SEAL KIT	100.00	55.00	128.80	RKOM-707/99/58350	SEAL KIT	140.00	100.00	266.20
RKOM-707/99/34100	SEAL KIT	100.00	55.00	107.83	RKOM-707/99/58360	SEAL KIT	140.00	100.00	276.20
RKOM-707/99/34500	SEAL KIT	110.00	55.00	106.82	RKOM-707/99/58370	SEAL KIT	140.00	100.00	360.75
RKOM-707/99/34510	SEAL KIT	110.00	55.00	156.66	RKOM-707/99/62010	SEAL KIT	160.00	80.00	199.20
RKOM-707/99/34550	SEAL KIT	110.00	55.00	164.73	RKOM-707/99/62020	SEAL KIT	160.00	80.00	189.57
RKOM-707/99/36110	SEAL KIT	100.00	65.00	152.03	RKOM-707/99/64010	SEAL KIT	160.00	90.00	194.51

All manufacturer's names, part numbers and descriptions are used for reference purposes only. We do not imply that any part shown is the product of these manufacturers.

INDUSTRIAL  
SEAL KITS

MOBILE  
SEAL KITS

KOMATSU

## KIT LISTING

## KOMATSU

INDUSTRIAL  
SEAL KITS

MOBILE  
SEAL KITS

KOMATSU

Ref. Number	Desc.	Bore	Rod	\$	Ref. Number	Desc.	Bore	Rod	\$
RKOM-707/99/64040	SEAL KIT	160.00	90.00	280.72	RKOM-707/99/79400	SEAL KIT	215.00	130.00	1185.00
RKOM-707/99/64400	SEAL KIT	180.00	90.00	293.73	RKOM-707/99/84010	SEAL KIT	250.00	140.00	441.54
RKOM-707/99/64410	SEAL KIT	180.00	90.00	202.04	RKOM-707/99/84400	SEAL KIT	280.00	140.00	378.53
RKOM-707/99/64500	SEAL KIT	110.00	55.00	153.78	RKOM-707/99/84450	SEAL KIT	280.00	140.00	458.30
RKOM-707/99/65400	SEAL KIT	180.00	95.00	138.95	RKOM-707/99/85900	SEAL KIT	260.00	160.00	937.92
RKOM-707/99/66010	SEAL KIT	160.00	100.00	137.40	RKOM-707/99/89200	SEAL KIT	250.00	170.00	717.57
RKOM-707/99/66210	SEAL KIT	160.00	100.00	287.58	RKOM-707/99/89220	SEAL KIT	250.00	170.00	1714.13
RKOM-707/99/66400	SEAL KIT	180.00	100.00	271.31	RKOM-707/99/89240	SEAL KIT	250.00	170.00	1714.13
RKOM-707/99/67010	SEAL KIT	160.00	110.00	381.29	RKOM-707/99/96200	SEAL KIT	300.00	180.00	1508.59
RKOM-707/99/67110	SEAL KIT	160.00	110.00	312.44	RKOM-909001	SEAL KIT			135.92
RKOM-707/99/67120	SEAL KIT	160.00	110.00	329.95	RKOM-909004	SEAL KIT	95.00	70.00	132.54
RKOM-707/99/67290	SEAL KIT	160.00	110.00	697.54	RKOM-909005	SEAL KIT	95.00	70.00	120.02
RKOM-707/99/67310	SEAL KIT	160.00	110.00	425.20	RKOM-909006	SEAL KIT	100.00	80.00	54.73
RKOM-707/99/68510	SEAL KIT	185.00	120.00	361.06	RKOM-909007	SEAL KIT	100.00	80.00	147.89
RKOM-707/99/68560	SEAL KIT	185.00	120.00	629.62	RKOM-909008	SEAL KIT	130.00	100.00	235.85
RKOM-707/99/68600	SEAL KIT	200.00	140.00	1025.15	RKOM-909009	SEAL KIT	140.00	110.00	221.21
RKOM-707/99/69500	SEAL KIT	160.00	110.00	416.50	RKOM-909010	SEAL KIT		100.00	176.35
RKOM-707/99/69600	SEAL KIT	180.00	130.00	448.54	RKOM-909011	SEAL KIT	185.00	100.00	302.52
RKOM-707/99/69620	SEAL KIT	180.00	130.00	474.32	RKOM-909013	SEAL KIT	95.00	70.00	39.63
RKOM-707/99/71100	SEAL KIT	200.00	90.00	240.76	RKOM-909014	SEAL KIT	130.00	100.00	127.28
RKOM-707/99/71420	SEAL KIT	225.00	90.00	287.96	RKOM-909015	SEAL KIT		70.00	38.03
RKOM-707/99/73010	SEAL KIT	200.00	100.00	186.57	RKOM-909016	SEAL KIT	90.00	70.00	259.79
RKOM-707/99/73020	SEAL KIT	200.00	100.00	171.48	RKOM-909018	SEAL KIT		60.00	77.48
RKOM-707/99/73800	SEAL KIT	150.00	100.00	1161.71	RKOM-909019	SEAL KIT		70.00	41.14
RKOM-707/99/74010	SEAL KIT	200.00	110.00	215.01	RKOM-909020	SEAL KIT		70.00	78.39
RKOM-707/99/74120	SEAL KIT	200.00	110.00	223.02	RKOM-909021	SEAL KIT		70.00	56.72
RKOM-707/99/74130	SEAL KIT	200.00	110.00	1000.75	RKOM-909022	SEAL KIT		90.00	68.46
RKOM-707/99/75400	SEAL KIT	225.00	120.00	241.02	RKOM-909023	SEAL KIT		100.00	48.44
RKOM-707/99/75410	SEAL KIT	225.00	120.00	238.23	RKOM-909024	SEAL KIT		100.00	128.36
RKOM-707/99/75420	SEAL KIT	225.00	120.00	255.37	RKOM-909025	SEAL KIT		100.00	79.50
RKOM-707/99/75450	SEAL KIT	225.00	120.00	498.07	RKOM-909026	SEAL KIT	90.00	80.00	449.19
RKOM-707/99/77220	SEAL KIT	200.00	140.00	705.55	RKOM-909027	SEAL KIT	90.00	80.00	376.27
RKOM-707/99/77240	SEAL KIT	200.00	140.00	773.68	RKOM-909028	SEAL KIT	100.00	80.00	146.43
RKOM-707/99/77250	SEAL KIT	200.00	140.00	701.81	RKOM-909029	SEAL KIT		110.00	100.22
RKOM-707/99/77380	SEAL KIT	200.00	140.00	812.26	RKOM-AK7677	SAE/FLANGE/JIC/ORSN/A			360.60
RKOM-707/99/78620	SEAL KIT	225.00	160.00	1189.52	RKOM-AK7677/1	SAE/FLANGE O-RING KIT			208.95
RKOM-707/99/78630	SEAL KIT	225.00	160.00	1189.16	RKOM-AK7677/2	JIC/ORS O-RING KIT			151.66
RKOM-707/99/78700	SEAL KIT	225.00	160.00	1408.94	RKOM-WA600/TILT	SEAL KIT	300.00	180.00	1580.96

All manufacturer's names, part numbers and descriptions are used for reference purposes only. We do not imply that any part shown is the product of these manufacturers.

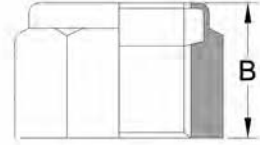
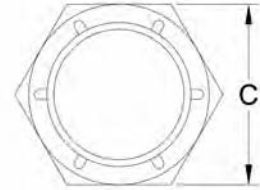


## NYLON INSERT LOCK NUTS

- 1- Grade 8/ heat-treated
- 2- Blue nylon locking insert

### MATERIALS:

**X53 Medium carbon steel heat treated  
RC 26-30, Phos. and Oil**



## LOCK NUTS - METRIC KOMATSU REF.

Ref.Number	Thread Size	Dimensions		\$	Ref.Number	Thread Size	Dimensions		\$
		C	B				C	B	
RKOM-07165/14547	M-45-3	2.750	1.850	300.57	RKOM-07165/18583	M-85-4	4.500	3.268	944.66
RKOM-07165/15252	M-52-3	3.125	2.047	490.04	RKOM-175/63/52432	M-68-4	3.740	2.520	655.48
RKOM-07165/15860	M-58-4	3.346	2.362	565.40	RKOM-707/68/10680	M-68-4	3.740	2.756	419.52
RKOM-07165/16870	M-68-4	3.740	2.750	352.01	RKOM-707/68/10580	M-59-4	3.312	2.362	519.66

## KUBOTA

## MINI EXCAVATOR

Model	Application	Serial Number	Cylinder Number	Bore	Rod	I	Ref. Number RKUB-	\$
						M		
KH-25L	ARM		68271-67600	90.00	55.00	M	68271/99400	139.55
	BOOM LH		68271-67510	80.00	50.00	M	68271/99300	129.56
	BOOM RH		68271-67520	80.00	50.00	M	68271/99300	129.56
	BUCKET		68271-67800	80.00	50.00	M	68271/99500	129.56
	DOZER		68081-75100	80.00	45.00	M	68271/99800	128.14
	SWING		68271-67400	100.00	55.00	M	68271/99600	146.61
KH-41 (H)	ARM		68501-67600	50.00	30.00	M	68721/91130	49.39
			68511-67600	55.00	30.00	M	68511/91110	50.50
	BOOM		68501-67503	55.00	30.00	M	68191/91020	64.51
		BUCKET		68501-67800	50.00	30.00	M	68721/91130
	DOZER		68511-67800	55.00	30.00	M	68511/91110	50.50
			68501-75100	65.00	35.00	M	68721/91160	85.42
			68511-75102	70.00	35.00	M	68511/91120	54.68
	SWING		68513-67400	55.00	30.00	M	68511/91010	206.61

All manufacturer's names, part numbers and descriptions are used for reference purposes only. We do not imply that any part shown is the product of these manufacturers.

## MINI EXCAVATOR

## KUBOTA

Model	Application	Serial Number	Cylinder Number	Bore	Rod	I	Ref. Number RKUB-	\$
						M		
<b>KH-90 (H)</b>	ARM		68761-67602	80.00	45.00	M	68761/91130	268.44
	BOOM		68761-67501	90.00	45.00	M	68761/91120	309.46
	BUCKET		68761-67802	70.00	45.00	M	68761/91040	119.26
	DOZER		68761-75101	90.00	45.00	M	68761/91150	303.34
	SWING		68741-67401	70.00	45.00	M	68741/91010	135.69
<b>KH-91 (H)</b>	ARM		68571-67600	80.00	45.00	M	68581/91030	116.09
	BOOM		68581-67500	90.00	45.00	M	68581/91020	112.93
	BUCKET		68541-67800	70.00	40.00	M	68761/91060	58.13
	DOZER		68581-75100	90.00	45.00	M	68761/91050	141.16
	SWING		68541-67400	80.00	40.00	M	68541/91010	248.05
<b>KH-171</b>	ARM		68271-67600	90.00	55.00	M	68271/99400	139.55
	BOOM		821-67520	80.00	50.00	M	68271/99300	129.56
	BOOM LH		68271-67510	80.00	50.00	M	68271/99301	120.96
	BUCKET		68271-67800	80.00	50.00	M	68271/99500	127.61
	DOZER		68081-75100	80.00	45.00	M	68271/99800	126.21
	SWING		68271-67400	100.00	55.00	M	68271/99600	144.41
<b>KH-191</b>	ARM		68493-67600	90.00	55.00	M	68493/91030	89.59
	BOOM		68493-67502	120.00	65.00	M	68493/91020	155.49
	BUCKET		68493-67800	80.00	50.00	M	68493/91040	77.47
	DOZER		68493-75100	110.00	60.00	M	68493/91050	192.29
	SWING		68499-67400	100.00	55.00	M	68499/91010	140.24
<b>KX41 (H)</b>	ARM		RB208-67600	60.00	35.00	M	RB201/91050	86.22
	BOOM		RB208-67700	55.00	30.00	M	RB201/91010	60.86
	BLADE		RB208-75100	70.00	35.00	M	RB201/91030	60.86
	BUCKET		RB108-67800	55.00	30.00	M	RB101/91020	86.04
			RB208-67800	55.00	30.00	M	RB101/91020	86.04
	SWING		RB108-67400	55.00	30.00	M	RB101/91020	86.04
<b>KX101 (H)</b>	ARM		68658-67600	80.00	45.00	M	68651/91030	125.61
	BLADE		68318-75100	90.00	45.00	M	68301/91050	115.17
	BOOM		68658-67700	90.00	45.00	M	68651/91020	70.83
	BUCKET		68396-67800	70.00	40.00	M	68861/93300	108.18
	BLADE		68318-75100	90.00	45.00	M	68301/91050	115.17
	SWING		68316-67400	80.00	40.00	M	68311/91010	121.57

INDUSTRIAL  
SEAL KITS

MOBILE  
SEAL KITS

KUBOTA

All manufacturer's names, part numbers and descriptions are used for reference purposes only. We do not imply that any part shown is the product of these manufacturers.

**Tel.: (604) 278-6808**  
**Fax: (604) 278-6180**

**KITS 485**

[www.sealsonline.com](http://www.sealsonline.com)

## KUBOTA

## KIT LISTING

Ref. Number	Desc.	Bore	Rod	\$	Ref. Number	Desc.	Bore	Rod	\$
RKUB-68191/91020	SEAL KIT	55.00	30.00	63.54	RKUB-68651/91030	SEAL KIT	80.00	45.00	125.61
RKUB-68271/99300	SEAL KIT	80.00	50.00	127.61	RKUB-68721/91110	SEAL KIT	50.00	30.00	40.12
RKUB-68271/99400	SEAL KIT	90.00	55.00	137.45	RKUB-68721/91130	SEAL KIT	80.00	45.00	48.65
RKUB-68271/99500	SEAL KIT	80.00	50.00	127.61	RKUB-68721/91160	SEAL KIT	65.00	35.00	84.14
RKUB-68271/99600	SEAL KIT	100.00	55.00	144.41	RKUB-68741/91010	SEAL KIT	70.00	45.00	133.66
RKUB-68271/99800	SEAL KIT	80.00	45.00	126.21	RKUB-68741/91020	SEAL KIT	80.00	40.00	67.31
RKUB-68301/91050	SEAL KIT	90.00	45.00	115.17	RKUB-68761/91040	SEAL KIT	70.00	45.00	117.47
RKUB-68311/91010	SEAL KIT	80.00	40.00	121.57	RKUB-68761/91050	SEAL KIT	90.00	45.00	139.04
RKUB-68493/91020	SEAL KIT	120.00	65.00	155.49	RKUB-68761/91060	SEAL KIT	70.00	40.00	57.26
RKUB-68493/91030	SEAL KIT	90.00	55.00	89.59	RKUB-68761/91120	SEAL KIT	90.00	45.00	304.82
RKUB-68493/91040	SEAL KIT	80.00	50.00	77.47	RKUB-68761/91130	SEAL KIT	80.00	45.00	264.41
RKUB-68493/91050	SEAL KIT	110.00	60.00	192.29	RKUB-68761/91150	SEAL KIT	90.00	45.00	298.79
RKUB-68499/91010	SEAL KIT	100.00	55.00	140.24	RKUB-68811/93070	SEAL KIT	70.00	40.00	142.28
RKUB-68511/91010	SEAL KIT	55.00	30.00	203.51	RKUB-68861/93300	SEAL KIT	70.00	40.00	108.18
RKUB-68511/91110	SEAL KIT	55.00	30.00	49.75	RKUB-69521/91110	SEAL KIT	55.00	30.00	57.06
RKUB-68511/91120	SEAL KIT	70.00	35.00	53.86	RKUB-69521/91130	SEAL KIT	55.00	30.00	57.39
RKUB-68541/91010	SEAL KIT	80.00	40.00	244.33	RKUB-RB101/91020	SEAL KIT	55.00	30.00	86.04
RKUB-68581/91020	SEAL KIT	90.00	45.00	111.23	RKUB-RB201/91010	SEAL KIT	55.00	30.00	60.86
RKUB-68581/91030	SEAL KIT	80.00	45.00	114.35	RKUB-RB201/91030	SEAL KIT	70.00	35.00	60.86
RKUB-68651/91020	SEAL KIT	90.00	45.00	70.83	RKUB-RB201/91050	SEAL KIT	60.00	35.00	86.22

## LEACH

## KITS

Ref. Number	Desc.	Bore	Rod	\$	Ref. Number	Desc.	Bore	Rod	\$
RLEA-10035	SEAL KIT	6.000	4.000	55.20	RLEA-30653	18974, 18975, 31201, 32327, 37306	4.000	2.000	38.58
RLEA-101102	300600	4.000	2.250	39.68	RLEA-30654	17001	5.000	2.000	92.24
RLEA-101103	401054	5.000	3.500	55.24	RLEA-33557	SEAL KIT	5.000	2.250	66.26
RLEA-102168	401207	4.000	2.000	36.12	RLEA-33558	31778	4.000	2.250	62.71
RLEA-102565	2R11 T.G. LIFT	4.000	2.250	36.85	RLEA-36363	SEAL KIT	3.500	2.250	38.62
RLEA-102566	402161, 402162	4.000	2.250	32.62	RLEA-P16-541	P16-273	4.000	2.250	69.91
RLEA-102567	402314, 402315	4.000	2.250	44.68	RLEA-P16-569	P16-204	3.000	2.250	35.25
RLEA-102559	SEAL KIT	5.000	2.000	51.43	RLEA-P16-570	P16-7	4.000		29.25
RLEA-103945	STAGES 2-3/8, 2-7/8, 3-3/8, 3-7/8" RECYCLER DUMP CYLINDER			64.81	RLEA-P16-934K	P16-934	4.000	2.250	56.59
RLEA-15452	15026	6.000	2.250	77.83	RLEA-P25-29K	P25-29	6.000	3.000	58.06
RLEA-15452U	15026	6.000	2.250	95.26	RLEA-PO-1567	PO-265	4.000	2.250	43.05
RLEA-15453	15074	4.000	2.250	44.15	RLEA-PO1148	PO-1166	6.000	4.500	101.13
RLEA-15454	15049	5.000	2.000	57.54	RLEA-SR7158	SR6002	5.000	2.000	72.18
RLEA-15454U	15049	5.000	2.000	74.14	RLEA-SR7162	SEAL KIT	6.000	2.250	101.35
RLEA-15468	15373	4.000	2.250	51.70	RLEA-SR9002	SR6021	6.000	2.250	77.83
RLEA-15468U	15373	4.000	2.250	78.63	RLEA-950051	STAGES 4, 5, 6" U SEALS, WIPERS & BEARINGS			253.56
RLEA-2R1054	2R1054	6.000	4.000	54.62	RLEA-101238	SEAL KIT	6.000	1.750	67.58
RLEA-2R2008K	2R1008	6.000	4.500	77.03	RLEA-102169	SEAL KIT	5.000	3.500	85.58
RLEA-2R2114	2R1006	6.000	4.500	113.73	RLEA-P16-934KU	SEAL KIT	4.000	2.500	70.18
RLEA-2R2114A	2R1006A, 2R1008A	6.000	4.500	89.55	RLEA-U1291D	U1158, 15527	6.000	2.250	87.24
RLEA-2R2114AU	2R1006A, 2R1008A	6.000	4.500	63.34	RLEA-U1291DU	SEAL KIT	6.000	2.250	102.51

All manufacturer's names, part numbers and descriptions are used for reference purposes only. We do not imply that any part shown is the product of these manufacturers.

INDUSTRIAL SEAL KITS

MOBILE SEAL KITS

KUBOTA - LEACH

## FRONT END WHEEL LOADERS

## LETOURNEAU

Model	Application	Serial Number	Cylinder Number	Bore	Rod	I	Ref. Number RLET-	\$
						M		
L-1100	BUCKET			12.500	7.000	I	421/3977	1109.74
				12.510	7.000	I	425/7022	1387.17
				12.520	7.000	I	425/7023	1387.17
				12.530	7.000	I	425/7024	1387.17
	HOIST			12.500	7.000	I	421/3592	1109.74
				12.510	7.000	I	425/7013	1387.17
				12.520	7.000	I	425/7014	1387.17
				12.530	7.000	I	425/7015	1387.17
				7.500	3.500	I	416/2126	605.32
	STEERING			7.510	3.500	I	425/7025	756.65
				7.520	3.500	I	425/7026	756.65
				7.530	3.500	I	425/7027	756.65
				STEERING	7.500	4.000	I	421/9228
7.510		4.000	I		425/7016	872.70		
7.520	4.000	I	425/7017		872.70			
7.530	4.000	I	425/7018		872.70			
L-1350	BUCKET			N/A	N/A	I	424/1242	0/R
				N/A	N/A	I	425/7031	0/R
				N/A	N/A	I	425/7032	0/R
	HOIST			N/A	N/A	I	425/7033	0/R
				N/A	N/A	I	424/1231	0/R
				N/A	N/A	I	425/7028	0/R
STEERING	N/A	N/A	I	425/7029	0/R			
	N/A	N/A	I	425/7030	0/R			
	7.500	4.000	I	421/9228	698.16			
	7.510	4.000	I	425/7016	872.70			
	7.520	4.000	I	425/7017	872.70			
L-1400	BUCKET			12.500	7.000	I	421/3592	1109.74
				12.510	7.000	I	425/7013	1387.17
				12.520	7.000	I	425/7014	1387.17
				12.530	7.000	I	425/7015	1387.17
	HOIST			14.500	7.000	I	417/7149	2643.99
				14.510	7.000	I	425/7019	2937.47
	STEERING			14.520	7.000	I	425/7020	2937.47
				14.530	7.000	I	425/7021	2937.47
				7.500	4.000	I	421/9228	698.16
				7.510	4.000	I	425/7016	872.70
7.520	4.000	I	425/7017	872.70				
7.530	4.000	I	425/7018	872.70				

All manufacturer's names, part numbers and descriptions are used for reference purposes only. We do not imply that any part shown is the product of these manufacturers.

**Tel.: (418) 688-3202**  
**Fax: (418) 688-4272**

**KITS 487**

**www.sealsonline.com**

**INDUSTRIAL  
SEAL KITS**

**MOBILE  
SEAL KITS**

**LETOURNEAU**

## LETOURNEAU

## FRONT END WHEEL LOADERS

Model	Application	Serial Number	Cylinder Number	Bore	Rod	I	Ref. Number RLET-	\$
						M		
L-1800	BUCKET			12.500	7.000	I	421/3592	1109.74
				12.510	7.000	I	425/7013	1387.17
				12.520	7.000	I	425/7014	1387.17
				12.530	7.000	I	425/7015	1387.17
	HOIST			15.000	7.000	I	421/1399	3800.09
				15.010	7.000	I	425/7010	4221.89
				15.020	7.000	I	425/7011	4221.89
				15.030	7.000	I	425/7012	4221.89
				7.500	4.000	I	421/9228	698.16
				7.510	4.000	I	425/7016	872.70
STEERING	7.520	4.000	I	425/7017	872.70			
	7.530	4.000	I	425/7018	872.70			
L-1850	HOIST			15.000	7.000	I	424/3965	3897.59



All manufacturer's names, part numbers and descriptions are used for reference purposes only. We do not imply that any part shown is the product of these manufacturers.

INDUSTRIAL SEAL KITS

MOBILE SEAL KITS

LETOURNEAU

## FRONT END WHEEL LOADERS

## LETOURNEAU

Ref. Number	Desc.	Bore	Rod	\$	Ref. Number	Desc.	Bore	Rod	\$
RLET-409/4000S	SEAL KIT	6.500	3.000	219.95	RLET-424/6388	SEAL KIT	12.500	7.000	1207.24
RLET-409/4004S	SEAL KIT	11.000	5.000	514.28	RLET-424/6394	SEAL KIT	16.000	8.000	3998.98
RLET-409/4005S	SEAL KIT	12.000	5.000	413.83	RLET-425/7010	SEAL KIT	15.010	7.000	4221.89
RLET-411/1879S	SEAL KIT	11.000	7.000	434.21	RLET-425/7011	SEAL KIT	15.020	7.000	4221.89
RLET-411/6451S	SEAL KIT	11.000	7.000	429.32	RLET-425/7012	SEAL KIT	15.030	7.000	4221.89
RLET-411/6511	SEAL KIT			26.02	RLET-425/7013	SEAL KIT	12.510	7.000	1387.17
RLET-411/9422S	SEAL KIT	6.500	3.500	244.92	RLET-425/7014	SEAL KIT	12.520	7.000	1387.17
RLET-416/2123	SEAL KIT	12.500	7.000	1354.89	RLET-425/7015	SEAL KIT	12.530	7.000	1387.17
RLET-416/2124	SEAL KIT	11.000	7.000	1367.12	RLET-425/7016	SEAL KIT	7.510	4.000	872.70
RLET-416/2125	SEAL KIT	6.500	3.000	470.04	RLET-425/7017	SEAL KIT	7.520	4.000	872.70
RLET-416/2126	SEAL KIT	7.500	3.500	605.32	RLET-425/7018	SEAL KIT	7.530	4.000	872.70
RLET-416/2127	SEAL KIT	11.000	7.000	1367.05	RLET-425/7019	SEAL KIT	14.510	7.000	2937.47
RLET-416/2128	SEAL KIT	12.500	7.000	1625.88	RLET-425/7020	SEAL KIT	14.520	7.000	2937.47
RLET-416/2128HT	SEAL KIT	12.500	7.000	1625.88	RLET-425/7021	SEAL KIT	14.530	7.000	2937.47
RLET-417/7144	SEAL KIT	8.000	4.000	746.34	RLET-425/7022	SEAL KIT	12.510	7.000	1387.17
RLET-417/7149	SEAL KIT	14.500	7.000	2643.99	RLET-425/7023	SEAL KIT	12.520	7.000	1387.17
RLET-421/1398	SEAL KIT	7.000	4.000	579.22	RLET-425/7024	SEAL KIT	12.530	7.000	1387.17
RLET-421/1399	SEAL KIT	15.000	7.000	3800.09	RLET-425/7025	SEAL KIT	7.510	3.500	756.65
RLET-421/3592	SEAL KIT	12.500	7.000	1109.74	RLET-425/7026	SEAL KIT	7.520	3.500	756.65
RLET-421/3977	SEAL KIT	12.500	7.000	1109.74	RLET-425/7027	SEAL KIT	7.530	3.500	756.65
RLET-421/3977HT	SEAL KIT	12.500	7.000	1109.74	RLET-P16/2860	SEAL KIT			29.26
RLET-421/9228	SEAL KIT	7.500	4.000	698.16					
RLET-424/3965	SEAL KIT	15.000	7.000	3897.59					

INDUSTRIAL  
SEAL KITS

MOBILE  
SEAL KITS

## KITS

## LIEBHERR

Ref. Number	Desc.	Bore	Rod	\$	Ref. Number	Desc.	Bore	Rod	\$
RLIE-13017/J/1	SEAL KIT	8, 10.500	6, 9.000	2452.76	RLIE-9155154	SEAL KIT		50.00	315.36
RLIE-13017/K/1	SEAL KIT	10, 13.000	7.5, 11.000	1103.45	RLIE-9158144	SEAL KIT		110.00	419.28
RLIE-13017/L/1	SEAL KIT	9.000/13.000	6.750/10.500	2751.56	RLIE-9158175	SEAL KIT		85.00	260.71
RLIE-13029/C/1	SEAL KIT	5.500	2.750	72.23	RLIE-9165363	SEAL KIT	140.00		340.21
RLIE-51784/M/1	SEAL KIT		12.000	999.82	RLIE-9165440	SEAL KIT	150.00		365.09
RLIE-51784/N/1	SEAL KIT		12.000	999.82	RLIE-9165441	SEAL KIT	100.00		212.54
RLIE-5708/876/08	SEAL KIT	160.00		206.13	RLIE-9169653	SEAL KIT	170.00		423.29
RLIE-9060977	SEAL KIT	125.00		115.80	RLIE-9169654	SEAL KIT	180.00		478.22
RLIE-9062632	SEAL KIT	180.00		436.77	RLIE-9170257	SEAL KIT	200.00		497.49
RLIE-9062821	SEAL KIT	170.00		414.11	RLIE-9374710	SEAL KIT	160.00	140.00	288.68
RLIE-9063464	SEAL KIT	70.00		49.65	RLIE-S1337/13493	STEERING PUMP KIT			180.50
RLIE-9063832	SEAL KIT		95.00	217.40					

LETOURNEAU - LIEBHERR

All manufacturer's names, part numbers and descriptions are used for reference purposes only. We do not imply that any part shown is the product of these manufacturers.

Tel.: (514) 334-2220  
Fax: (514) 333-8329

**KITS 489**

[www.sealonline.com](http://www.sealonline.com)

## LINK BELT

## KITS

Ref. Number	Desc.	Bore	Rod	\$	Ref. Number	Desc.	Bore	Rod	\$
RLB-3J12501	SEAL KIT	3.500	1.500	155.02	RLB-LQU/0012	SEAL KIT	125.00	85.00	318.00
RLB-3X/0082	SEAL KIT	2.500	1.500	21.81	RLB-LQU/0015	SEAL KIT	110.00	70.00	247.16
RLB-3X/0106	SEAL KIT	4.500	3.500	19.00	RLB-LQU/0017	SEAL KIT	160.00	110.00	408.74
RLB-3X/0256	SEAL KIT	8.000	5.500	221.41	RLB-LQU/0020	SEAL KIT	125.00	85.00	305.93
RLB-3X/0264	SEAL KIT	3.000	1.125	20.68	RLB-LQU/0021	SEAL KIT	140.00	100.00	384.01
RLB-587V305	SEAL KIT	7.500	4.500	282.18	RLB-LQU/0022	SEAL KIT	120.00	80.00	318.47
RLB-LQU/0008	SEAL KIT	150.00	100.00	406.39	RLB-LQU/0028	SEAL KIT	140.00	90.00	358.16
RLB-LQU/0009	SEAL KIT	160.00	110.00	430.90	RLB-LQU/0029	SEAL KIT	150.00	105.00	411.14
RLB-LQU/0010	SEAL KIT	140.00	95.00	278.04	RLB-LQU/0030	SEAL KIT	130.00	90.00	318.47
RLB-LQU/0011	SEAL KIT	110.00	70.00	272.60	RLB-LQU/0037	SEAL KIT	130.00	85.00	299.00



All manufacturer's names, part numbers and descriptions are used for reference purposes only. We do not imply that any part shown is the product of these manufacturers.

INDUSTRIAL  
SEAL KITS

MOBILE  
SEAL KITS

LINK BELT

## EXCAVATOR

## MITSUBISHI

Model	Application	Cylinder Number	Bore	Rod	I	Ref. Number RMIT-	\$
					M		
<b>MS110-5, MS110D-5, MS110L-5, MS110S-5</b>	ARM	C25320004, C25320005	120.00	80.00	M	C75300020	276.89
	BOOM	C25300104	110.00	70.00	M	C75300010	255.76
	BUCKET	C25340004, C25340005	110.00	65.00	M	C75300030	252.76
<b>MS-120-2, MS120S-2, MS120SS-2</b>	ARM	C65320002, C65320003, C65320004	120.00	80.00	M	C65300022	324.47
	BOOM	C65300102, C65300103, C65300104	110.00	75.00	M	C65300012	355.73
	BUCKET	C65340003, C65340004, C6530005	110.00	70.00	M	C65300032	340.18
<b>MS-180-3, MS-180LC-3, MS-180S-3</b>	ARM	E35300201	130.00	90.00	M	E15300023	315.57
	BOOM	E35300101	125.00	85.00	M	E15300013	300.68
	BUCKET	E35300301	120.00	75.00	M	E15300033	266.43
<b>MS-180-8</b>	ARM	E75300301	140.00	100.00	M	E75300010	399.35
	BOOM	E75300101, E75300201	125.00	85.00	M	E35300040	334.58
	BUCKET	E75300401	125.00	85.00	M	E35300040	334.58

INDUSTRIAL  
SEAL KITS

MOBILE  
SEAL KITS

## KIT LISTING

## MITSUBISHI

Ref. Number	Desc.	Bore	Rod	\$	Ref. Number	Desc.	Bore	Rod	\$
RMIT-94404-10160	SEAL KIT	90.00	40.00	76.73	RMIT-E15300013	SEAL KIT	125.00	85.00	300.68
RMIT-C65300012	SEAL KIT	110.00	75.00	355.73	RMIT-E15300023	SEAL KIT	130.00	90.00	315.57
RMIT-C65300022	SEAL KIT	120.00	80.00	324.47	RMIT-E15300033	SEAL KIT	120.00	75.00	266.43
RMIT-C65300032	SEAL KIT	110.00	70.00	340.18	RMIT-E25300061	SEAL KIT	140.00	90.00	439.70
RMIT-C75300010	SEAL KIT	110.00	70.00	255.76	RMIT-E35300040	SEAL KIT	125.00	85.00	334.58
RMIT-C75300020	SEAL KIT	120.00	80.00	276.89	RMIT-E75300010	SEAL KIT	140.00	100.00	399.35
RMIT-C75300030	SEAL KIT	110.00	65.00	252.76	RMIT-F15300011	SEAL KIT	150.00	100.00	301.92

All manufacturer's names, part numbers and descriptions are used for reference purposes only. We do not imply that any part shown is the product of these manufacturers.

Tel.: (905) 362-0889  
Fax: (888) 238-1664

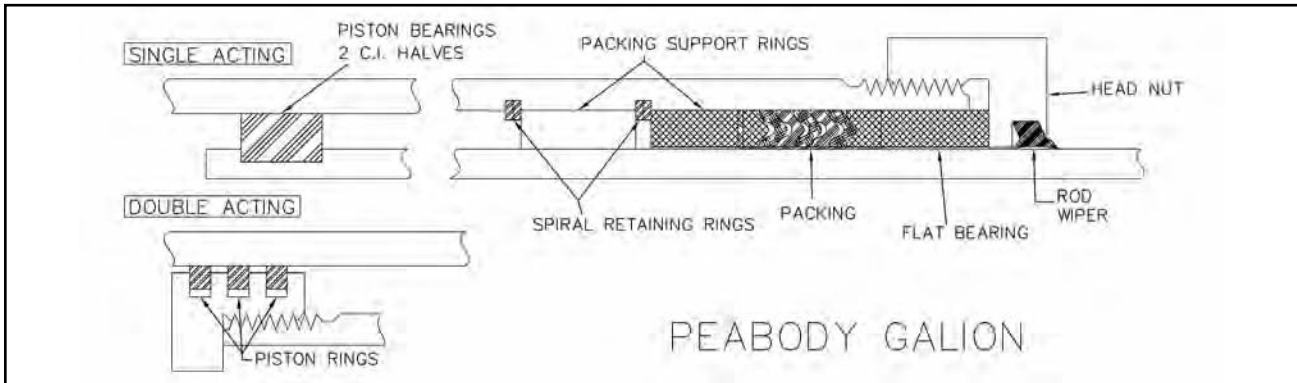
**KITS 491**

[www.sealsonline.com](http://www.sealsonline.com)

MITSUBISHI



## PEABODY GALION - TELESCOPIC CYLINDERS



STAGE O.D.'S: 1.970, 2.970, 3.970, 4.970, 5.970, 6.970, 7.970, 9.125"  
 IDENTIFICATION: CYLINDER MODEL NUMBER STAMPED INTO "STEADREST" AREA NEAR GLAND COLLAR ON BODY.  
 ROD WIPERS: POLYURETHANE - TRAPPED BETWEEN HEADNUT AND TOP BEARING (1)  
 BEARINGS: NYLON - FLAT (2)  
 PACKING: VEE PACKING - ALL 0.265"  
 PISTON: SINGLE ACTING- 2 HALF - MOON SHAPED CAST IRON BEARING  
 DOUBLE ACTING - CAST IRON PISTON RINGS (3)  
 SPECIAL INFORMATION: SECTION DIAMETERS ALL 0.030" UNDER NOMINAL INCH EXCEPT 9.125". ALL SECTIONS BORES 0.020" OVER NOMINAL HALF-INCH.

### V.set & Wiper

Ref. Number	Desc.	\$
RPG-01970VW	01.970" STAGE - V.SET & WIPER	16.38
RPG-02970VW	02.970" STAGE - V.SET & WIPER	20.64
RPG-03970VW	03.970" STAGE - V.SET & WIPER	26.25
RPG-04970VW	04.970" STAGE - V.SET & WIPER	34.12
RPG-05970VW	05.970" STAGE - V.SET & WIPER	41.74
RPG-06970VW	06.970" STAGE - V.SET & WIPER	54.99
RPG-07970VW	07.970" STAGE - V.SET & WIPER	58.56
RPG-09125VW	09.125" STAGE - V.SET & WIPER	72.47

### V.Sets, Wipers & Bearings

Ref. Number	Desc.	\$
RPG-02970VWB	02.970" STAGE - V.SET,WIPER & BRG.	38.82
RPG-03970VWB	03.970" STAGE - V.SET,WIPER & BRG.	44.60
RPG-04970VWB	04.970" STAGE - V.SET,WIPER & BRG.	56.26
RPG-05970VWB	05.970" STAGE - V.SET,WIPER & BRG.	71.46
RPG-06970VWB	06.970" STAGE - V.SET,WIPER & BRG.	85.87
RPG-07970VWB	07.970" STAGE - V.SET,WIPER & BRG.	113.60
RPG-09125VWB	09.125" STAGE - V.SET,WIPER & BRG.	165.03

### Spiral Retainer Rings

Ref. Number	Desc.	\$
RPG-10/5304	01.970" STAGE - SPIRAL R.RING	5.30
RPG-10/25689	02.970" STAGE - SPIRAL R.RING	11.91
RPG-10/25688	03.970" STAGE - SPIRAL R.RING	10.88
RPG-10/25687	04.970" STAGE - SPIRAL R.RING	11.35
RPG-10/25686	05.970" STAGE - SPIRAL R.RING	8.81
RPG-10/25718	06.970" STAGE - SPIRAL R.RING	11.64
RPG-10/25729	07.970" STAGE - SPIRAL R.RING	23.72
RPG-10/26982	09.125" STAGE - SPIRAL R.RING	41.55

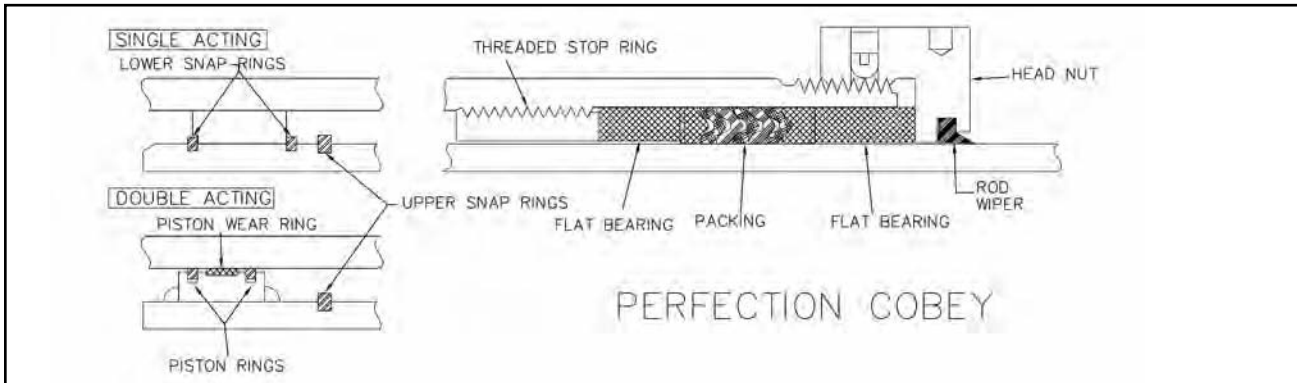
### Piston Ring - Cast Iron

(Double acting cylinders only)

Ref. Number	Desc.	\$
RPG-10/25892	02.970" STAGE - PISTON RING	13.05
RPG-10/25880	03.970" STAGE - PISTON RING	13.31
RPG-10/25868	04.970" STAGE - PISTON RING	18.78
RPG-10/25867	05.970" STAGE - PISTON RING	19.68
RPG-10/25866	06.970" STAGE - PISTON RING	26.57
RPG-10/25891	07.970" STAGE - PISTON RING	29.84

All manufacturer's names, part numbers and descriptions are used for reference purposes only. We do not imply that any part shown is the product of these manufacturers.

## PERFECTION COBEY- TELESCOPIC CYLINDERS



STAGE O.D.'S:	2.580, 3.580, 4.580, 5.445, 6.445, 7.445, 8.445"
IDENTIFICATION:	CYLINDER MODEL NUMBER AND SERIAL NUMBER STAMPED ON CULINDER BODY NEAR BASE
ROD WIPERS:	POLYURETHANE - SNAP IN TYPE (1)
BEARINGS:	BRONZE (AFTER MARKET NYLON) - FLAT (2) NOTE: 3.000" THROUGH 6.000" SECTIONS - ABOVE AND BELOW PACKING 7.000 AND 8.000" SECTIONS - ABOVE ONLY
PACKING:	VEE PACKING UP TO 5.000" - 0.265" C/S OVER 5.000" - 0.250" C/S
PISTON:	SINGLE ACTING - BRONZE BEARING HELD IN PLACE BY 2 SNAP RINGS DOUBLE ACTING - C.I. PISTON RINGS (2)
SPECIAL INFORMATION:	THREADED INTERNAL STOP RING WITH TWO FLATS FOR SPANNER WRENCH

### Packing & Wiper

Ref. Number	Desc.	\$
RPC-02580VW	02.580" STAGE - V.SET & WIPER	18.82
RPC-03580VW	03.580" STAGE - V.SET & WIPER	36.98
RPC-04580VW	04.580" STAGE - V.SET & WIPER	45.58
RPC-05445VW	05.445" STAGE - V.SET & WIPER	30.41
RPC-06445VW	06.445" STAGE - V.SET & WIPER	60.12
RPC-07445VW	07.445" STAGE - V.SET & WIPER	67.66
RPC-08445VW	08.445" STAGE - V.SET & WIPER	191.47

### Bearing - Nylon

Ref. Number	Desc.	\$
RPC-03580BRF	03.580" STAGE - BEARING	24.79
RPC-04580BRF	04.580" STAGE - BEARING	30.21
RPC-05445BRF	05.445" STAGE - BEARING	32.75
RPC-06445BRF	06.445" STAGE - BEARING	36.12
RPC-07445BRF	07.445" STAGE - BEARING	38.49

All manufacturer's names, part numbers and descriptions are used for reference purposes only. We do not imply that any part shown is the product of these manufacturers.

**Tel.: (204) 783-9617**  
**Fax: (204) 783-6091**

**KITS 493**

[www.sealsonline.com](http://www.sealsonline.com)

INDUSTRIAL  
SEAL KITS

MOBILE  
SEAL KITS

PERFECTION COBEY

## P & H

## KITS

Ref. Number	Desc.	Bore	Rod	\$	Ref. Number	Desc.	Bore	Rod	\$
RP&H-1038/P13F1	SEAL KIT	8.000		1079.83	RP&H-R13366D2	160.00MM. - SPH.BALL BUSH.			2335.91
RP&H-1038/P17F1	SEAL KIT	10.000		1088.31	RP&H-R25939F1/STD	SEAL KIT	10.000		748.42
RP&H-1038/P1F1	SEAL KIT	10.000		1321.12	RP&H-R26910F1	SEAL KIT		6.750	1262.12
RP&H-1038/P26F1	SEAL KIT		6.000	551.50	RP&H-R28065F1/STD	SEAL KIT	8.000		519.07
RP&H-R13366C1	120.00MM. - SPH.BALL BUSH.			1141.68	RP&H-R28067F1	SEAL KIT		5.250	1196.15



All manufacturer's names, part numbers and descriptions are used for reference purposes only. We do not imply that any part shown is the product of these manufacturers.

## LOADER

## PRENTICE

Model	Application	Series	Serial Number	Cylinder Number	Bore	Rod	Ref. Number RPRE-	\$
<b>110 BC &amp; SR</b>	FORK GRAPPLE			110083	4.000	1.750	147842	57.04
				110087	3.500	1.500	147819	44.36
	BOOM			110266	3.500	1.500	147753	38.01
				110260	6.000	4.000	147858	82.98
				110295	6.000	4.000	147858	82.98
				110274	6.000	4.000	147858	82.98
	STICK			110312	6.000	4.000	147734	87.95
				110255	5.000	2.000	147849	93.54
				110253	5.000	2.000	147747	74.47
		STABILIZER			110102	4.000	2.500	147830
				110262	4.000	2.500	147751	47.90
			110294	4.000	2.500	147857	60.94	
<b>120</b>	TELESCOPIC STABILIZER			110297	4.000	2.500	147751	47.90
	GRAPPLE (442)			110415	3.500	2.000	147770	65.20
	GRAPPLE (656)			110435	3.500	2.000	147770	65.20
	BOOM			110407	5.000	2.500	147780	63.30
	STICK			110367	5.000	2.500	147780	63.30
	STABILIZER			110448	3.500	2.000	147770	65.20
	TELESCOPIC STICK			110357	3.500	2.000	147770	65.20
<b>150</b>	GRAPPLE			110376	3.500	2.000	147770	65.20
				110360	3.500	1.500	147788	51.53
	BOOM			110359	6.000	4.000	147781	80.24
<b>180</b>	STICK			110359	6.000	4.000	147781	80.24
	STABILIZER			110375	5.000	2.500	147780	63.30
	BOOM			110344	7.000	4.000	147769	115.99
<b>180-B</b>	STICK			110322	6.000	3.000	147786	96.21
	STABILIZER			110375	5.000	2.500	147780	63.30
	GRAPPLE			110415	3.500	2.000	147770	65.20
<b>210</b>	BOOM			110344	7.000	4.000	147769	115.99
	STICK			110322	6.000	3.000	147786	96.21
	STABILIZER			110375	5.000	2.500	147780	63.30
	TELESCOPIC STICK			110311	3.500	1.750	147754	36.88
<b>210-B</b>	BOOM			110304	3.500	1.750	147754	36.88
	STICK			110311	3.500	1.750	147754	36.88
	STABILIZER			110351	6.000	4.000	147781	80.24
<b>210-C</b>	BOOM			110351	6.000	4.000	147781	80.24
	STICK			110351	6.000	4.000	147781	80.24
	STABILIZER			110350	6.000	3.000	147786	96.21
<b>210-C</b>	BOOM			110464	6.000	4.000	147781	80.24
	HEEL CYLINDER			110524	6.000	4.000	147111	80.24

All manufacturer's names, part numbers and descriptions are used for reference purposes only. We do not imply that any part shown is the product of these manufacturers.

**Tel.: (780) 414-1871**  
**Fax: (780) 487-5419**

**KITS 495**

**www.sealsonline.com**

INDUSTRIAL  
SEAL KITS

MOBILE  
SEAL KITS

PRENTICE

## PRENTICE

## LOADER

Model	Application	Series	Serial Number	Cylinder Number	Bore	Rod	Ref. Number RPRE-	\$
<b>210-D</b>	STICK			110489	6.000	4.000	147781	80.24
	STABILIZER			110350	6.000	3.000	147786	96.21
	JIB BOOM			110524	6.000	4.000	147111	80.24
	BOOM			110524	6.000	4.000	147111	80.24
	STICK			110524	6.000	4.000	147111	80.24
<b>410</b>	STABILIZER			110551	6.000	3.000	147786	96.21
	BYPASS GRAPPLE			110276	3.500	1.750	147736	44.68
				110267	3.500	1.750	147754	36.88
	JIB BOOM			110251	6.000	4.000	147734	87.95
				110272	6.000	4.000	147734	87.95
	TELESCOPIC STICK			110179	3.500	1.750	147736	44.68
				110304	3.500	1.750	147754	36.88
	STABILIZER			110290	6.000	4.000	147732	92.64
				110257	6.000	4.000	147734	87.95
	GRAPPLE			110239	5.000	2.000	147735	78.48
				110261	5.000	2.000	147747	74.47
				110285	5.000	2.000	147735	78.48
				110302	4.000	2.500	147751	47.90
				110303	5.000	2.500	147746	77.21
				110310	5.000	2.500	147746	77.21
				110313	5.000	2.500	147763	99.68
			110321	4.000	2.500	147766	38.25	
<b>410-B</b>	BOOM			110258	6.000	4.000	147734	87.95
				110291	6.000	4.000	147734	87.95
	STICK			110241	7.000	4.000	147748	113.22
				110271	7.000	4.000	147729	112.09
				110314	7.000	4.000	147765	133.27
				110329	7.000	4.000	147782	133.27
	BRAKE ACTIVATING			110345	5.000	2.500	147780	63.30
	JIB BOOM			110326	6.000	4.000	147781	80.24
	BOOM			110348	6.000	4.000	147781	80.24
	STEERING			110340	3.500	2.000	147770	65.20
STICK			110323	7.000	4.000	147769	115.99	
STABILIZER			110349	6.000	4.000	147781	80.24	
<b>410-C</b>	TELESCOPIC BOOM			110366	3.500	2.000	147770	65.20
	JIB BOOM			110525	6.000	4.000	147111	80.24
	BOOM			110510	6.000	4.000	147111	80.24
	STABILIZER			110517	6.000	4.000	147111	80.24
	STICK			110513	7.000	4.000	147794	115.99
	TELESCOPIC BOOM			110366	3.500	2.000	147770	65.20
<b>410D (S/N 27337 AND UP)</b>	CAB TILT		27337-UP	513714	2.000	1.000	147618	10.51
	JIB BOOM		27337-UP	110524	6.000	4.000	147111	80.24
	BOOM		27337-UP	110521	6.000	4.000	147111	80.24
	STABILIZER		27337-UP	110552	6.000	4.000	147111	80.24

All manufacturer's names, part numbers and descriptions are used for reference purposes only. We do not imply that any part shown is the product of these manufacturers.

INDUSTRIAL SEAL KITS

MOBILE SEAL KITS

PRENTICE

## LOADER

## PRENTICE

Model	Application	Series	Serial Number	Cylinder Number	Bore	Rod	Ref. Number RPRE-	\$	
<b>410-DX</b>	STEERING		27337-UP	110340	3.500	2.000	147770	65.20	
	STICK		27337-UP	110513	7.000	4.000	147794	115.99	
	TELESCOPIC BOOM		27337-UP	110366	3.500	2.000	147770	65.20	
	CAB TILT			513714	2.000	1.000	147618	10.51	
	STABILIZER			110552	6.000	4.000	147111	80.24	
<b>610</b>	STEERING			110340	6.000	4.000	147111	80.24	
	STICK			10001524	6.000	4.000	147111	80.24	
	JIB BOOM			110259	6.000	4.000	147734	87.95	
	GRAPPLE			110372	6.000	4.000	147781	80.24	
	BOOM			110239	5.000	2.000	147735	78.48	
				110261	5.000	2.000	147747	74.47	
				110267	3.500	1.750	147754	36.88	
				110276	3.500	1.750	147736	44.68	
				110285	5.000	2.000	147735	78.48	
				110303	5.000	2.500	147746	77.21	
	STICK				110254	7.000	4.000	147748	113.22
					110316	7.000	4.000	147765	133.27
					110331	7.000	4.000	147769	115.99
					110370	7.000	4.000	147769	115.99
					110258	6.000	4.000	147734	87.95
					110348	6.000	4.000	147781	80.24
<b>RT-610</b>	STABILIZER			110242	7.000	4.000	147748	113.22	
				110369	7.000	4.000	147769	115.99	
				110250	4.000	1.750	147740	57.04	
				110265	4.000	1.750	147752	47.25	
	GRAPPLE				110365	4.000	2.500	147771	73.71
					110239	5.000	2.000	147735	78.48
					110261	5.000	2.000	147747	74.47
					110267	3.500	1.750	147754	36.88
					110276	3.500	1.750	147736	44.68
					110285	5.000	2.000	147735	78.48
	JIB BOOM			110303	5.000	2.500	147746	77.21	
				110259	6.000	4.000	147734	87.95	
	BOOM				110372	6.000	4.000	147781	80.24
					110254	7.000	4.000	147748	113.22
					110316	7.000	4.000	147765	133.27
					110331	7.000	4.000	147769	115.99
	STICK				110370	7.000	4.000	147769	115.99
					110258	6.000	4.000	147734	87.95
					110348	6.000	4.000	147781	80.24
					110242	7.000	4.000	147748	113.22
STEERING				110369	7.000	4.000	147769	115.99	
				110250	4.000	1.750	147740	57.04	
				110265	4.000	1.750	147752	47.25	
				110365	4.000	2.500	147771	73.71	

INDUSTRIAL  
SEAL KITS

MOBILE  
SEAL KITS

PRENTICE

All manufacturer's names, part numbers and descriptions are used for reference purposes only. We do not imply that any part shown is the product of these manufacturers.

Tel.: (403) 279-1871  
Fax: (403) 279-1821

**KITS 497**

[www.sealsonline.com](http://www.sealsonline.com)

## PRENTICE

## LOADER & CRANE

Model	Application	Series	Serial Number	Cylinder Number	Bore	Rod	Ref. Number RPRE-	\$		
<b>G, GBL, H, HBL, 3B3, 4B4, 4BL, 4L4</b>	HOIST	3B3	363 & PRIOR	110045	5.000	4.000	147604	105.65		
		364 & UP		110045	5.000	4.000	147809	81.04		
			ALL	110045		4.000	147504	24.71		
		4L4 & 4BL	363 & PRIOR	110044	5.000	4.000	147604	105.65		
			364 & UP	110044	5.000	4.000	147809	81.04		
			ALL	110044		4.000	147504	24.71		
	BOOM	G & GBL	363 & PRIOR	110036	6.000	4.000	147605	77.50		
			364 & UP	110036	6.000	4.000	147800	76.78		
			ALL	110036		4.000	147505	23.48		
		H	372 & PRIOR	110037	7.000	4.000	147606	148.47		
	373 & UP		110037	7.000	4.000	147802	104.03			
	STICK	G & GBL	363 & PRIOR	110212	5.000	2.500	147613	63.29		
		4B4	364 & UP	110212	5.000	2.500	147803	78.73		
			ALL	110212		2.500	147513	21.94		
			363 & PRIOR	110214	5.000	2.000	147608	64.17		
			364 & UP	110214	5.000	2.000	147811	72.60		
			ALL	110214		2.000	147508	22.38		
		H	ALL	110218	6.000	2.500	147801	80.98		
				110218	6.000	2.500	147514	25.97		
			STABILIZER - TYPE 1 Bolt On Head	4B4 & 4L4	CYLS PRIOR - 11/68	110102	4.000	1.750	147627	55.72
					CYLS 11/68 - UP	110102	4.000	1.750	147830	57.04
			STABILIZER - TYPE 1 Snap Ring Head	GBL & HBL	CYLS PRIOR - 11/68	110013	4.000	1.750	147602	40.69
		CYLS 11/68 - UP	110013	4.000	1.750	147807	40.31			
STABILIZER - TYPE 1	H		110158	4.000	2.500	147814	57.04			
<b>GBL &amp; HBL</b>	Bolt On Head	H	CYLS PRIOR - 11/68	110067	4.000	2.500	147612	55.90		
			CYLS 11/68 - UP	110067	4.000	2.500	147814	57.04		
	STABILIZER - TYPE 1	H	CYLS PRIOR - 11/68	110012	4.000	1.750	147602	40.69		
			CYLS 11/68 - UP	110012	4.000	1.750	147807	40.31		
	KNUCKLE TYPE	GBL & HBL	CYLS PRIOR - 11/68	110102	4.000	1.750	147627	55.72		
			CYLS 11/68 - UP	110102	4.000	1.750	147830	57.04		
	STABILIZER - TYPE 2	GBL & HBL	CYLS PRIOR - 11/68	110121	4.000	2.500	147821	72.81		
			CYLS 11/68 - UP	110121	4.000	2.500	147621	60.61		
	STABILIZER - TYPE 4	GBL & HBL	CYLS PRIOR-8/23/68	110042	5.000	2.000	147608	64.17		
			CYLS 8/23/68 - UP	110042	5.000	2.000	147811	72.60		
SWING CYLINDER Assembly #204507 400 Deg. Swing	GBL & HBL	PRIOR - 370	204507	5.000		147629	91.48			
		371 TO 495	204507	5.000		147817	84.25			
		496 - UP	204507	5.000		147629	91.48			

All manufacturer's names, part numbers and descriptions are used for reference purposes only. We do not imply that any part shown is the product of these manufacturers.

INDUSTRIAL SEAL KITS

MOBILE SEAL KITS

PRENTICE

## KNUCKLE BOOM LOADER

## PRENTICE

Model	Application	Series	Serial Number	Cylinder Number	Bore	Rod	Ref. Number RPRE-	\$	
<b>410-C</b>	6" BOOM	G	ALL	110036	6.000	4.000	147800	76.78	
		G	ALL	110036		4.000	147505	23.48	
	7" BOOM	H	ALL	110037	7.000	4.000	147802	104.03	
		H	ALL	110037		4.000	147506	27.81	
	5" STICK	G	ALL	110214	5.000	2.000	147811	72.60	
		G	ALL	110214		2.000	147508	22.38	
	6" STICK	H	ALL	110216		6.000	2.500	147801	80.98
		H	ALL	110216			2.500	147514	25.97
	5" H.D. STABILIZER	G, H	ALL	110042		5.000	2.000	147811	72.60
		G, H	ALL	110042			2.000	147508	22.38
<b>410-C</b>	GRAPPLE CYLINDER	H, G, F	ALL	110134	4.000	1.750	147812	45.18	
		H, G, F	ALL	110134		1.750	147509	22.12	
	GRAPPLE CYLINDER 3-1/2"	H, G, F	ALL	110087	3.500	1.500	147819	44.36	
		H, G, F	ALL	110087		1.500	147515	29.86	
	SWING ASSEMBLY	F & G	PRIOR - 8199	110035	6.000	4.000	147605	77.50	
			8200 - 10067	110036	4.000		147816	40.59	
			10068 - UP	110060	4.000		147628	71.41	
		H	PRIOR - 6/65	111047	5.000		147616	99.58	
			8200 - HP7007,	111079	5.000		147817	84.25	
			11001 (11/68 - 7/70)	111080	5.000		147817	84.25	
				111081	5.000		147817	84.25	
		11002 - UP	204511	5.000		147629	91.48		
		11002 - UP	204512	5.000		147629	91.48		

INDUSTRIAL SEAL KITS

MOBILE SEAL KITS

## GRAPPLE & ATTACHMENT

## PRENTICE

Model	Series	Cylinder Number	Bore	Rod	Ref. Number RPRE-	\$
<b>ALL MODELS</b>	AC442/TC442/CX442 GRAPPLES	110415	3.500	2.000	147770	65.20
	C656S/C762S/CX656S/CX762S GRAPPLES	110435	3.500	2.000	147770	65.20
	C554 GRAPPLES	110501	4.000	2.500	147771	73.71
	734 GRAPPLES	110428	3.500	2.000	147770	65.20
	C752S GRAPPLES	110380	4.000	2.500	147771	73.71
	742 / 742 WEDGE GRAPPLES	110358	3.500	2.000	147770	65.20
	315 GRAPPLES	110376	3.500	2.000	147770	65.20
	310 / 410, 342, 351, CBP GRAPPLES	110266	3.500	1.500	147753	38.01
	1041 - 5/8 YARD CLAM, BUCKET CYLINDER	110137	4.000	1.750	157752	44.78
			4.000	1.750	147830	57.04
1053 FORK CYLINDER		110379	4.000	2.500	147771	73.71
		110083	4.000	1.750	147842	57.04
		110342	4.000	2.500	147771	73.71
		110415	3.500	2.000	147770	65.20
442 GRAPPLES		110380	4.000	2.500	147771	73.71
	752 SLASHER	110380	4.000	2.500	147771	73.71
	742 WEDGE 270/CR, GRAPPLE CYLINDER	110267	3.500	1.750	147754	36.88
		110358	3.500	2.000	147770	65.20
1/2 CORD 270/CR & 848 WEDGE 270/CR,	110302	4.000	2.500	147751	47.90	

All manufacturer's names, part numbers and descriptions are used for reference purposes only. We do not imply that any part shown is the product of these manufacturers.

**Tel.: (604) 278-6808**  
**Fax: (604) 278-6180**

**KITS 499**

[www.sealsonline.com](http://www.sealsonline.com)

PRENTICE



## PRENTICE

## GRAPPLE & ATTACHMENT

Model	Series	Cylinder Number	Bore	Rod	Ref. Number RPRE-	\$
	GRAPPLE CYLINDER	110354	4.000	2.500	147771	73.71
	1/2 CORD SLASHER C/R,	110321	4.000	2.500	147766	38.25
	GRAPPLE CYLINDER	110353	4.000	2.500	147771	73.71
	3/4 CORD 270/CR 1 CORD 270/CR,	110303	5.000	2.500	147746	77.21
	GRAPPLE CYLINDER	110386	5.000	2.500	147780	63.30
	955 WEDGE 270/CR, 1060 270/CR 1066 WEDGE 270/CR,	110303	5.000	2.500	147746	77.21
	1372 WEDGE 270/CR,	110355	5.000	2.500	147780	63.30
	GRAPPLE CYLINDER					

## PRENTICE

## KIT LISTING

Ref. Number	Desc.	Bore	Rod	\$	Ref. Number	Desc.	Bore	Rod	\$
RPRE-10028680	SEAL KIT	3.500	2.000	32.48	RPRE-147506	SEAL KIT	4.000		27.81
RPRE-10029790	SWIVEL KIT	5.000		185.22	RPRE-147508	SEAL KIT		2.000	22.38
RPRE-10032263	SEAL KIT	3.000	1.500	52.43	RPRE-147509	SEAL KIT		1.750	22.12
RPRE-10032264	SEAL KIT	3.500	1.500	45.65	RPRE-147510	SEAL KIT	4.500	1.750	22.21
RPRE-10032265	SEAL KIT	3.500	2.000	52.06	RPRE-147513	SEAL KIT	5.000	2.500	21.94
RPRE-10032266	SEAL KIT	4.000	2.000	60.46	RPRE-147514	SEAL KIT	6.000	2.500	25.97
RPRE-10032267	SEAL KIT	4.000	2.500	50.37	RPRE-147515	SEAL KIT	3.500	1.500	29.86
RPRE-10032268	SEAL KIT	4.500	2.500	74.53	RPRE-147522	SEAL KIT		2.500	23.27
RPRE-10032269	SEAL KIT	5.000	2.500	87.99	RPRE-147530	SEAL KIT	4.000	1.750	26.14
RPRE-10032270	SEAL KIT	5.000	3.000	93.16	RPRE-147532	SEAL KIT		4.000	34.78
RPRE-10032274	SEAL KIT	6.000	3.000	96.82	RPRE-147600	SEAL KIT	3.500	1.500	35.92
RPRE-10034620	SEAL KIT	4.000	2.500	50.37	RPRE-147602	SEAL KIT	4.000	1.750	40.69
RPRE-10034622	SEAL KIT	5.000	2.500	92.76	RPRE-147603	SEAL KIT	4.500	2.000	50.36
RPRE-10034624	SEAL KIT	6.000	3.000	96.82	RPRE-147604	SEAL KIT	5.000	4.250	105.65
RPRE-10034625	SEAL KIT	5.000	3.500	124.25	RPRE-147605	SEAL KIT	6.000	4.000	77.50
RPRE-10034628	SEAL KIT	6.000	4.000	128.47	RPRE-147606	SEAL KIT	7.000	4.000	148.47
RPRE-10034629	SEAL KIT	6.000	4.000	141.73	RPRE-147608	SEAL KIT	5.000	2.000	64.17
RPRE-10034630	SEAL KIT	7.000	4.000	163.39	RPRE-147609	SEAL KIT	4.000	1.750	51.65
RPRE-10070119	SEAL KIT	3.500	2.000	85.70	RPRE-147612	SEAL KIT	4.000	2.500	55.90
RPRE-147100	SEAL KIT	3.000	1.500	34.78	RPRE-147613	SEAL KIT	5.000	2.500	63.29
RPRE-147101	SEAL KIT	4.500	2.500	51.27	RPRE-147615	SEAL KIT	4.000		52.09
RPRE-147102	SEAL KIT	5.500	2.500	79.17	RPRE-147616	SEAL KIT	5.000		99.58
RPRE-147103	SEAL KIT	2.500	1.250	28.07	RPRE-147617	SEAL KIT	5.000	4.000	113.15
RPRE-147108	SEAL KIT	8.000	4.500	171.18	RPRE-147618	SEAL KIT		1.000	10.51
RPRE-147109	SEAL KIT		0.750	4.81	RPRE-147619	SEAL KIT	3.500	1.500	45.28
RPRE-147110	SEAL KIT	4.000	2.500	50.82	RPRE-147621	SEAL KIT	4.500	2.500	60.61
RPRE-147111	SEAL KIT	6.000	4.000	80.24	RPRE-147627	SEAL KIT	4.000	1.750	55.72
RPRE-147282	SEAL KIT	3.500	2.000	23.72	RPRE-147628	SEAL KIT	4.000		71.41
RPRE-147504	SEAL KIT		4.000	24.71	RPRE-147629	SEAL KIT	5.000		91.48
RPRE-147505	SEAL KIT	6.000	4.000	23.48	RPRE-147703	ROTARY ACTUATOR			15.88

All manufacturer's names, part numbers and descriptions are used for reference purposes only. We do not imply that any part shown is the product of these manufacturers.

INDUSTRIAL  
SEAL KITS

MOBILE  
SEAL KITS

PRENTICE

## KIT LISTING

## PRENTICE

Ref. Number	Desc.	Bore	Rod	\$	Ref. Number	Desc.	Bore	Rod	\$
RPRE-147729	SEAL KIT	7.000	4.000	112.09	RPRE-147807	SEAL KIT	4.000	1.750	40.31
RPRE-147731	SEAL KIT	5.000	2.500	62.24	RPRE-147808	SEAL KIT	4.500	2.000	60.70
RPRE-147732	SEAL KIT	6.000	4.000	92.64	RPRE-147809	SEAL KIT	5.000	4.000	81.04
RPRE-147733	SEAL KIT	7.000	4.000	80.85	RPRE-147810	SEAL KIT	3.500	1.750	55.56
RPRE-147734	SEAL KIT	6.000	4.000	87.95	RPRE-147811	SEAL KIT	5.000	2.000	72.60
RPRE-147735	SEAL KIT	5.000	2.000	78.48	RPRE-147812	SEAL KIT	4.000	1.750	45.18
RPRE-147736	SEAL KIT	3.500	1.750	44.68	RPRE-147813	SEAL KIT	3.500	1.500	30.39
RPRE-147738	ROTARY ACTUATOR			63.39	RPRE-147814	SEAL KIT	4.000	2.500	57.04
RPRE-147740	SEAL KIT	4.000	1.750	57.04	RPRE-147815	SEAL KIT	6.000	2.500	83.45
RPRE-147746	SEAL KIT	5.000	2.500	77.21	RPRE-147816	SEAL KIT	4.000		40.59
RPRE-147747	SEAL KIT	5.000	2.000	74.47	RPRE-147817	SEAL KIT	5.000		84.25
RPRE-147748	SEAL KIT	7.000	4.000	113.22	RPRE-147819	SEAL KIT	3.500	1.500	44.36
RPRE-147751	SEAL KIT	4.000	2.500	47.90	RPRE-147821	SEAL KIT	4.500	2.500	72.81
RPRE-147752	SEAL KIT	4.000	1.750	47.25	RPRE-147826	SEAL KIT	7.000	2.500	28.72
RPRE-147753	SEAL KIT	3.500	1.500	38.01	RPRE-147828	SEAL KIT	3.500	2.000	23.72
RPRE-147754	SEAL KIT	3.500	1.750	36.88	RPRE-147829	SEAL KIT	3.000	1.750	55.69
RPRE-147763	SEAL KIT	5.000	2.500	99.68	RPRE-147830	SEAL KIT	4.000	1.750	57.04
RPRE-147765	SEAL KIT	7.000	4.000	133.27	RPRE-147831	SEAL KIT	6.000	2.500	79.23
RPRE-147766	SEAL KIT	4.000	2.500	38.25	RPRE-147832	SEAL KIT	7.000	4.000	109.66
RPRE-147769	SEAL KIT	7.000	4.000	115.99	RPRE-147833	SEAL KIT	6.000	2.500	81.92
RPRE-147770	SEAL KIT	3.500	2.000	65.20	RPRE-147834	SEAL KIT	6.000	4.000	83.97
RPRE-147771	SEAL KIT	4.000	2.500	73.71	RPRE-147835	SEAL KIT	7.000	4.000	115.96
RPRE-147780	SEAL KIT	5.000	2.500	63.30	RPRE-147836	SEAL KIT	6.000	4.000	77.23
RPRE-147781	SEAL KIT	6.000	4.000	80.24	RPRE-147842	SEAL KIT	4.000	1.750	57.04
RPRE-147782	SEAL KIT	7.000	4.000	133.27	RPRE-147849	SEAL KIT	5.000	2.000	93.54
RPRE-147783	SEAL KIT	8.000	4.500	178.75	RPRE-147857	SEAL KIT	4.000	2.500	60.94
RPRE-147786	SEAL KIT	6.000	3.000	96.21	RPRE-147858	SEAL KIT	6.000	4.000	82.98
RPRE-147788	SEAL KIT	3.500	1.500	51.53	RPRE-147898	SWIVEL KIT	5.000		185.22
RPRE-147794	SEAL KIT	7.000	4.000	115.99	RPRE-30007033	SEAL KIT	5.000	2.500	195.78
RPRE-147800	SEAL KIT	6.000	4.000	76.78	RPRE-30007301	SEAL KIT	5.000	2.500	162.08
RPRE-147801	SEAL KIT	6.000	2.500	80.98	RPRE-30011031	SEAL KIT	4.500	2.500	152.25
RPRE-147802	SEAL KIT	7.000	4.000	104.03	RPRE-30011034	SEAL KIT	4.500	2.500	155.82
RPRE-147803	SEAL KIT	5.000	2.500	78.73	RPRE-30011035	SEAL KIT	3.000	2.000	115.01
RPRE-147804	SEAL KIT	4.500	1.750	59.40	RPRE-563594	SEAL KIT		1.000	39.12

INDUSTRIAL SEAL KITS

MOBILE SEAL KITS

PRENTICE

All manufacturer's names, part numbers and descriptions are used for reference purposes only. We do not imply that any part shown is the product of these manufacturers.

## RAYGO WAGNER

## KITS

Ref. Number	Desc.	Bore	Rod	\$	Ref. Number	Desc.	Bore	Rod	\$
RRAY-206313	ROD WIPER		1.500	6.95	RRAY-518924/DX	SEAL KIT	5.020	2.500	395.82
RRAY-206345	ROD WIPER		3.000	10.81	RRAY-518925	SEAL KIT	6.040	3.000	224.02
RRAY-206346	ROD WIPER		2.000	7.72	RRAY-518925/DX	SEAL KIT	6.040	3.000	504.06
RRAY-206347	ROD WIPER		2.500	9.27	RRAY-520932	SEAL KIT	3.520	1.500	84.93
RRAY-206431	ROD WIPER		3.500	13.90	RRAY-520932/DX	SEAL KIT	3.520	1.500	191.12
RRAY-206664	ROD WIPER		4.000	15.44	RRAY-521533	SEAL KIT	7.040	3.500	163.07
RRAY-217511	ROD WIPER		5.000	12.35	RRAY-521533/DX	SEAL KIT	7.040	3.500	366.91
RRAY-223541	ROD WIPER		4.437	9.27	RRAY-521581	SEAL KIT	9.050	4.000	420.48
RRAY-226255	ROD PACKING		6.000	105.01	RRAY-521581/DX	SEAL KIT	9.050	4.000	946.10
RRAY-300210/LHD	SEAL KIT	5.020	2.500	547.28	RRAY-527102	SEAL KIT	4.020	1.500	87.71
RRAY-300227/LHD	SEAL KIT	3.000	1.250	269.35	RRAY-527102/DX	SEAL KIT	4.020	1.500	197.36
RRAY-300230/LHD	SEAL KIT	6.024	2.500	280.68	RRAY-533662	ROD PACKING		5.500	73.51
RRAY-505455	PISTON PACKING		5.020	36.75	RRAY-533670	SEAL KIT	10.055	5.500	474.19
RRAY-505455/DX	PISTON PACKING		5.020	61.42	RRAY-533670/DX	SEAL KIT	10.055	5.500	1066.94
RRAY-505519	ROD PACKING		1.500	28.88	RRAY-535995	SEAL KIT	6.040	3.500	219.21
RRAY-505523	PISTON PACKING		3.520	28.88	RRAY-535995/DX	SEAL KIT	6.040	3.500	493.23
RRAY-505575	ROD PACKING		4.437	63.01	RRAY-542711	SEAL KIT	10.055	5.500	409.40
RRAY-505575/DX	ROD PACKING		4.437	87.23	RRAY-542711/DX	SEAL KIT	10.055	5.500	921.14
RRAY-505577	PISTON PACKING		10.055	114.27	RRAY-542852	SEAL KIT	10.055	4.437	435.43
RRAY-505577/DX	PISTON PACKING		10.055	226.49	RRAY-542852/DX	SEAL KIT	10.055	4.437	979.74
RRAY-505595	ROD PACKING		2.500	34.13	RRAY-542869	SEAL KIT	9.050	4.000	350.61
RRAY-505595/DX	ROD PACKING		2.500	37.70	RRAY-542869/DX	SEAL KIT	9.050	4.000	788.87
RRAY-505610	ROD PACKING		3.000	36.75	RRAY-543823	SEAL KIT	10.055	4.000	388.22
RRAY-505613	PISTON PACKING		6.040	57.75	RRAY-543823/DX	SEAL KIT	10.055	4.000	873.51
RRAY-505627	ROD PACKING		2.000	31.50	RRAY-551904	SEAL KIT	6.040	3.500	239.05
RRAY-505627/DX	ROD PACKING		2.000	34.80	RRAY-551904/DX	SEAL KIT	6.040	3.500	537.86
RRAY-505631	PISTON PACKING		4.020	31.50	RRAY-552744	SEAL KIT	9.050	4.437	394.71
RRAY-505631/DX	PISTON PACKING		4.020	34.80	RRAY-552744/DX	SEAL KIT	9.050	4.437	888.10
RRAY-505648	PISTON PACKING		7.040	68.26	RRAY-5530040700	SEAL KIT	5.025	2.000	248.62
RRAY-505658	ROD PACKING		3.500	42.00	RRAY-5533946800	SEAL KIT	8.000	4.500	337.37
RRAY-505723	ROD PACKING		4.000	52.50	RRAY-5535297200	SEAL KIT	6.000	5.500	216.28
RRAY-505725	PISTON PACKING		9.050	110.26	RRAY-5537454500	SEAL KIT V20			10.62
RRAY-514412	PISTON PACKING		8.040	105.01	RRAY-5541132600	SEAL KIT	6.025	2.500	348.70
RRAY-518920	SEAL KIT	10.062	4.437	265.61	RRAY-5541334300	SEAL KIT	7.000	3.000	174.62
RRAY-518920/DX	SEAL KIT	10.062	4.437	607.96	RRAY-5541336900	SEAL KIT	5.000	2.000	120.07
RRAY-518921	SEAL KIT	7.000	2.500	250.04	RRAY-5541592600	SEAL KIT	4.000	2.500	121.45
RRAY-518921/DX	SEAL KIT	7.000	2.500	550.09	RRAY-566400	SEAL KIT	10.050	4.437	455.31
RRAY-518922	SEAL KIT	4.020	2.000	196.44	RRAY-566401	SEAL KIT	10.062	5.500	409.40
RRAY-518922/DX	SEAL KIT	4.020	2.000	441.50	RRAY-566403	SEAL KIT	10.050	4.437	435.43
RRAY-518923	SEAL KIT	9.050	4.000	421.16	RRAY-566408	SEAL KIT	4.000	2.000	179.44
RRAY-518923/DX	SEAL KIT	9.050	4.000	947.63	RRAY-566412	SEAL KIT	6.020	3.000	224.02
RRAY-518924	SEAL KIT	5.020	2.500	175.92	RRAY-566422	SEAL KIT	9.040	4.000	350.61

All manufacturer's names, part numbers and descriptions are used for reference purposes only. We do not imply that any part shown is the product of these manufacturers.

INDUSTRIAL  
SEAL KITS

MOBILE  
SEAL KITS

RAYGO WAGNER

## KITS

## SAMSUNG

Ref. Number	Desc.	Bore	Rod	\$	Ref. Number	Desc.	Bore	Rod	\$
RSAM-1030/60030	SEAL KIT	95.00	75.00	46.22	RSAM-8038/00120	SEAL KIT	100.00	70.00	153.14
RSAM-8038/00020	SEAL KIT	110.00	90.00	68.27	RSAM-8038/00130	SEAL KIT	160.00	105.00	362.13
RSAM-8038/00010	SEAL KIT	105.00	85.00	65.71	RSAM-8038/00140	SEAL KIT	170.00	115.00	416.31
RSAM-8038/00070	SEAL KIT	120.00	80.00	216.35	RSAM-8038/00150	SEAL KIT	150.00	105.00	386.99
RSAM-8038/00081	SEAL KIT	135.00	95.00	320.57	RSAM-8038/00250	SEAL KIT	180.00	100.00	376.64

## KITS

## TAMROK

Ref. Number	Desc.	Bore	Rod	\$	Ref. Number	Desc.	Bore	Rod	\$
RTAM-04001750	SEAL KIT	100.00	50.00	217.62	RTAM-17849710	SEAL KIT	200.00		314.63
RTAM-04001752	SEAL KIT	100.00	50.00	204.33	RTAM-17849711	SEAL KIT	160.00		155.69
RTAM-04001755	SEAL KIT	160.00	90.00	320.32	RTAM-42832	V.SET+BRGS		4.000	151.55
RTAM-04001757	SEAL KIT	125.00	70.00	250.88	RTAM-42848	V.SET+BRGS		4.500	181.26
RTAM-04001767	SEAL KIT	180.00	90.00	393.07	RTAM-47026117	SEAL KIT	125.00	70.00	250.88
RTAM-04001773	SEAL KIT	250.00	140.00	736.30	RTAM-85069909	SEAL KIT	40.00	25.00	71.58
RTAM-04001775	SEAL KIT	160.00	90.00	333.33	RTAM-85577709	SEAL KIT	125.00	50.00	188.23
RTAM-17849709	SEAL KIT	125.00		80.10	RTAM-87285619	SEAL KIT	70.00	50.00	353.90



All manufacturer's names, part numbers and descriptions are used for reference purposes only. We do not imply that any part shown is the product of these manufacturers.

Tel.: (514) 334-2220  
Fax: (514) 333-8329

**KITS 503**

[www.sealsonline.com](http://www.sealsonline.com)

INDUSTRIAL  
SEAL KITS

MOBILE  
SEAL KITS

SAMSUNG - TAMROK

## TEREX

## SCRAPER

Model	Application	Serial Number	Cylinder Number	Bore	Rod	I	Ref. Number	\$
						M		
S23E	STEERING		9066953	5.500	2.500	I	15050390	81.04
			9066954					
S24	APRON/EJECTOR		9217579	9.125	7.925	I	15050409	280.65
	BOWL		9217584	9.125	7.925	I	15050409	280.65
	STEERING		9062928	7.000	3.000	I	15050396	128.37
S24B	APRON		15014766	6.250	2.500	I	15050394	92.35
			15016260					
	BOWL		9272694	8.000	3.500	I	15050399	191.57
	EJECTOR		15015718	7.500	4.500	I	15050415	594.57
S24C	RIDE		9062425	8.000	7.000	I	15050406	377.93
	STEERING		15005121	7.000	3.000	I	15050396	128.37
			15009641					
	APRON		15014766	6.250	2.500	I	15050394	92.35
			15016260					
	BOWL		9272694	8.000	3.500	I	15050399	191.57
	EJECTOR		15015718	7.500	4.500	I	15050415	594.57
	STEERING		15005121	7.000	3.000	I	15050396	128.37
			15009641					
	APRON/EJECTOR		9217579	9.125	7.925	I	15050409	280.65
TS14	BOWL		9005146	9.125	7.925	I	15050409	280.65
			9217584					
TS14B	APRON/EJECTOR		9217579	9.125	7.925	I	15050409	280.65
	BOWL		9005146	9.125	7.925	I	15050409	280.65
	STEERING		9066951	5.500	2.500	I	15050390	81.04
			9066952					
			9382500	5.500	2.500	I	9397201	433.29
			9382501					
TS14C	APRON/EJECTOR		9217579	9.125	7.925	I	15050409	280.65
	BOWL		15007421	8.000	3.500	I	15050399	191.57
	STEERING		9382500	5.500	2.500	I	9397201	433.29
			9382501					
	APRON		9217579	9.125	7.925	I	15050409	280.65
TS18A								
TS24	APRON/EJECTOR		9217579	9.125	7.925	I	15050409	280.65
	BOWL		9217584	9.125	7.925	I	15050409	280.65
	STEERING		9062928	7.000	3.000	I	15050396	128.37
			15009641					

All manufacturer's names, part numbers and descriptions are used for reference purposes only. We do not imply that any part shown is the product of these manufacturers.

## SCRAPER

## TEREX

Model	Application	Serial Number	Cylinder Number	Bore	Rod	I	Ref. Number RTER-	\$
						M		
TS24A	APRON		15014766	6.250	2.500	I	15050394	92.35
			15016260					
	15016261		7.000	3.000	I	15050396	128.37	
	9062928							
	15005121							
STEERING	15009641							
TS24B	APRON		15014766	6.250	2.500	I	15050394	92.35
	BOWL EJECTOR RIDE		15016260	8.000	3.500	I	15050399	191.57
			15015718	7.500	4.500	I	15050415	594.57
			9062425	8.000	7.000	I	15050406	377.93
STEERING		9062928	7.000	3.000	I	15050396	128.37	
		15005121						
		15009641						
TS24C	APRON		15014766	6.250	2.500	I	15050394	92.35
	BOWL EJECTOR STEERING		15016260	8.000	3.500	I	15050399	191.57
			15015718	7.500	4.500	I	15050415	594.57
			15005121	7.000	3.000	I	15050396	128.37
			15009641					

INDUSTRIAL  
SEAL KITS

MOBILE  
SEAL KITS

## KIT LISTING

## TEREX

Ref. Number	Desc.	Bore	Rod	\$	Ref. Number	Desc.	Bore	Rod	\$
RTER-04212519	SEAL KIT	11.000	5.500	701.77	RTER-15050415	5-1/2, 6-3/4, 8-1/2 4-1/2, 6, 7-1/2			594.57
RTER-15050381	SEAL KIT	3.250	1.750	41.24	RTER-15050416	STAGES 6, 7-1/2 5-1/2, 6-3/4			206.74
RTER-15050388	SEAL KIT	4.500	2.000	83.78	RTER-15265987	SEAL KIT	110.00	63.00	141.09
RTER-15050390	SEAL KIT	5.500	2.500	81.04	RTER-15273464	SEAL KIT	120.00	63.00	132.72
RTER-15050391	SEAL KIT	5.500	2.500	111.74	RTER-3307F	SEAL KIT		7.000	129.40
RTER-15050393	SEAL KIT	6.000	2.500	106.78	RTER-3307R	SEAL KIT		8.250	133.26
RTER-15050394	SEAL KIT	6.250	2.500	92.35	RTER-3307SC	SEAL KIT	3.250	1.750	43.09
RTER-15050396	SEAL KIT	7.000	3.000	128.37	RTER-3311HC	SEAL KIT	8.250	6.750	260.98
RTER-15050399	SEAL KIT	8.000	3.500	191.57	RTER-607325	SEAL KIT	3.000	3.000	136.26
RTER-15050406	SEAL KIT	8.000	7.000	377.93	RTER-617337	SEAL KIT		7.925	359.92
RTER-15050409	SEAL KIT		7.925	280.65	RTER-618339	SEAL KIT	5.500	2.500	111.14
RTER-15050410	SEAL KIT		8.250	254.13	RTER-6949305	SEAL KIT	5.250	2.500	52.06
RTER-15050411	SEAL KIT	9.500	8.250	188.99	RTER-6957988	STAGES 9, 10-1/2 8-1/4, 9-3/4			677.01
RTER-15050412	SEAL KIT	10.500	9.000	1565.17	RTER-9396484	SEAL KIT	10.500	9.000	1565.17
RTER-15050413	SEAL KIT	11.750	10.500	415.76	RTER-9397201	SEAL KIT	2.500	2.500	433.29
RTER-15050414	SEAL KIT	11.750	10.500	708.30	RTER-TS24EJ	STAGES 4, 5-3/4, 7-1/2			337.11

All manufacturer's names, part numbers and descriptions are used for reference purposes only. We do not imply that any part shown is the product of these manufacturers.

**Tel.: (905) 362-0889**  
**Fax: (888) 238-1664**

**KITS 505**

**www.sealsonline.com**

**TEREX**

## TIMBERJACK

## LOADER

Model	Application	Serial Number	Cylinder Number	Bore	Rod	I	Ref. Number	\$
						M		
330	JIB BOOM			7.000	3.000	I	842937500	63.09
	MAIN BOOM			6.000	3.000	I	842936800	80.17
	STABILIZER			6.000	3.000	I	842936800	80.17
430	JIB BOOM			7.000	3.500	I	842938200	91.28
	MAIN BOOM			6.000	3.000	I	842936800	80.17
	STABILIZER			6.000	3.000	I	842936800	80.17
<b>SKIDDER</b>								
240	DOZER STEERING		8256787	4.000	1.750	I	2313847	49.51
			2313806	4.500	2.000	I	2313832	116.92
			2313816	4.000	1.750	I	2313847	49.51
240A	ARCH - SINGLE		8259164	4.000	1.750	I	2313847	49.51
			8268592	4.000	1.750	I	845167600	83.25
	DOZER GRAPPLE		8260240	4.000	1.750	I	2313847	49.51
			8424465	4.000	2.500	I	8429306	68.66
			8427905	4.000	2.000	I	843010000	56.37
			2313806	4.500	2.000	I	2313832	116.92
STEERING		8268602	4.500	2.000	I	845167700	108.63	
240B	ARCH - SINGLE DOZER		8268592	4.000	1.750	I	845167600	83.25
			8268597	4.000	1.750	I	845167600	83.25
			8268597	4.000	1.750	I	845167600	83.25
	GRAPPLE		8419398	4.000	2.500	I	842249600	100.73
			8424465	4.000	2.500	I	8429306	68.66
			8427905	4.000	2.000	I	843010000	56.37
			F431737	4.000	2.500	I	F434787	132.57
	STEERING		F431703	4.000	2.000	I	F434195	119.59
			8268602	4.500	2.000	I	845167700	108.63
360	ARCH		F120710	100.00		M	842884100	79.24
			F120710		50.00	M	F432351	48.45
	CAB TILT DOZER		8119718	2.000	25.00		8431265	33.51
			F120975	90.00		M	F434056	65.09
			F120975		45.00	M	F433400	67.84
	GRAPPLE		F431737	4.000	2.500	I	F434787	132.57
			F431738	4.500	2.500	I	F434785	143.32
			F434169	4.000	2.000	I	F434195	119.59
			F434381	4.000	2.000	I	F434195	119.59
	STEERING		F120975	90.00		M	F434056	65.09
		F120975		45.00	M	F433400	67.84	

All manufacturer's names, part numbers and descriptions are used for reference purposes only. We do not imply that any part shown is the product of these manufacturers.

INDUSTRIAL  
SEAL KITS

MOBILE  
SEAL KITS

TIMBERJACK

## SKIDDER

## TIMBERJACK

Model	Application	Serial Number	Cylinder Number	Bore	Rod	I	Ref. Number	\$
						M		
<b>380, 380A, 380B</b>	ARCH		2315925	3.500	1.750	I	845089800	93.34
	ARCH LH		8216620	4.500	1.750	I	8450282	95.66
	ARCH RH		8216621	4.500	1.750	I	8450282	95.66
	ARCH - DUAL		2315925	3.500	1.750	I	845089800	93.34
	ARCH - SINGLE		8256796	4.000	1.750	I	845109500	97.84
	BOOM		2315925	3.500	1.750	I	845089800	93.34
	DOZER		8256792	3.500	1.750	I	2313851	86.32
	GRAPPLE		8424465	4.000	2.500	I	842249600	100.73
			8417513	5.000	2.500	I	8417516	84.34
			8419411	5.000	2.500	I	8417516	84.34
		8419223	6.500	3.500	I	841923200	69.68	
		8414685	5.000	2.500	I	841468700	43.88	
<b>380, 450C</b>	N/A		8245558	5.500	2.500	I	845089900	125.07
	STEERING		2313814	3.500	1.750	I	2313851	86.32
			8256798	3.500	1.750	I	2313851	86.32
	ARCH - DUAL		8268601	4.000	1.750	I	845167400	85.00
	ARCH - SINGLE		8268593	4.000	1.750	I	845167600	83.25
	BOOM		8268601	4.000	1.750	I	845167400	85.00
	DOZER		8268596	4.000	1.750	I	845167600	83.25
			8268600					
	GRAPPLE		8419411	5.000	2.500	I	843009800	85.14
			8424465	4.000	2.500	I	8429306	68.66
		8425715	4.500	2.500	I	843011300	64.29	
		8427905	4.000	2.000	I	843010000	56.37	
		8428962	5.500	2.500	I	843009900	125.07	
		F431703	4.000	2.000	I	F434195	119.59	
		F431723	4.500	2.500	I	F434785	143.32	
		F431737	4.000	2.500	I	843113700	108.63	
		F431738	4.500	2.500	I	F434785	143.32	
<b>450</b>	GRAPPLE T.J. 105"		8247956	5.500	2.500	I	845089900	125.07
	GRAPPLE		8424465	4.000	2.500	I	842249600	100.73
			0650-14999					
	STEERING		8268599	4.000	1.750	I	845167400	85.00
	ARCH		2315925	3.500	1.750	I	845089800	93.34
			8244039	4.000	1.750	I	845109500	97.84
			8256796					
	ARCH - DUAL		2315925	3.500	1.750	I	845089800	93.34
	ARCH - SINGLE		8256796	4.000	1.750	I	845109500	97.84
	BOOM		2315925	3.500	1.750	I	845089800	93.34
		8244039	4.000	1.750	I	845109500	97.84	
		8256796						
DOZER		8256792	3.500	1.750	I	2313851	82.96	
GRAPPLE		8414685	5.000	2.500	I	841468700	43.88	
		8417513	5.000	2.500	I	8417516	84.34	
		8419223	6.500	3.500	I	841923200	69.68	
		8419224						

All manufacturer's names, part numbers and descriptions are used for reference purposes only. We do not imply that any part shown is the product of these manufacturers.

**Tel.: (204) 783-9617**  
**Fax: (204) 783-6091**

**KITS 507**

**www.sealsonline.com**

INDUSTRIAL  
SEAL KITS

MOBILE  
SEAL KITS

TIMBERJACK



## TIMBERJACK

## SKIDDER

Model	Application	Serial Number	Cylinder Number	Bore	Rod	I	Ref. Number	\$
						M		
	GRAPPLE T.J. 105" N/A STEERING		8419411	5.000	2.500	I	8417516	84.34
			8424465	4.000	2.500	I	842249600	100.73
			8247956	5.500	2.500	I	845089900	125.07
			2313814	3.500	1.750	I	2313851	82.96
			8256798	3.500	1.750	I	2313851	82.96
<b>460</b>	ARCH - DUAL		F120977	90.00		M	F434056	65.09
			F120977		45.00	M	F433400	67.84
	ARCH - SINGLE		F120710	100.00		M	842884100	79.24
			F120710		50.00	M	F432351	48.45
	BOOM		F122026	90.00		M	F434056	65.09
			F122026		50.00	M	F432351	48.45
	CAB TILT		8119718	2.000	25.00		8431265	33.51
			8119718				F033365	4.64
	DOZER		F120709	100.00		M	842884100	79.24
			F120709		50.00	M	F432351	48.45
	GRAPPLE		F431737	4.000	2.500	I	F434787	132.57
			F431738	4.500	2.500	I	F434785	143.32
	N/A		F433137	5.500	2.500	I	F433145	168.01
			F433146	5.500	2.500	I	F433145	168.01
			F434169	4.000	2.000	I	F434195	119.59
			F434381	4.000	2.000	I	F434195	119.59
		F122183	125.00		M	F434140	160.55	
		F122183		63.00	M	F433415	57.19	
STEERING		F120975	90.00		M	F434056	65.09	
		F120975		45.00	M	F433400	67.84	

All manufacturer's names, part numbers and descriptions are used for reference purposes only. We do not imply that any part shown is the product of these manufacturers.

INDUSTRIAL  
SEAL KITS

MOBILE  
SEAL KITS

TIMBERJACK

## KIT LISTING

## TIMBERJACK

Ref. Number	Desc.	Bore	Rod	\$	Ref. Number	Desc.	Bore	Rod	\$
RTIM-2313832	SEAL KIT	4.500	2.000	116.92	RTIM-845089900	SEAL KIT	5.500	2.500	125.07
RTIM-2313847	SEAL KIT	4.000	1.750	49.51	RTIM-845109500	SEAL KIT	4.000	1.750	97.84
RTIM-2313851	SEAL KIT	3.500	1.750	82.96	RTIM-845167400	SEAL KIT	4.000	1.750	85.00
RTIM-8412391	SEAL KIT	6.000	3.000	69.61	RTIM-845167600	SEAL KIT	4.000	1.750	83.25
RTIM-8412488	SEAL KIT	7.000	3.500	97.99	RTIM-845167700	SEAL KIT	4.500	2.000	108.63
RTIM-841468700	SEAL KIT	5.000	2.500	43.88	RTIM-F003176	SEAL KIT	80.00	50.00	80.74
RTIM-8417516	SEAL KIT	5.000	2.500	84.34	RTIM-F003177	SEAL KIT	50.00	25.00	26.36
RTIM-841923200	SEAL KIT	6.500	3.500	69.68	RTIM-F005446	SEAL KIT	50.00	32.00	29.19
RTIM-842249600	SEAL KIT	4.000	2.500	100.73	RTIM-F014952	SEAL KIT	100.00	63.00	112.07
RTIM-842884100	SEAL KIT	100.00		79.24	RTIM-F017540	SEAL KIT	110.00	80.00	68.25
RTIM-8429306	SEAL KIT	4.000	2.500	68.66	RTIM-F019061	SEAL KIT	80.00	40.00	44.49
RTIM-842936800	SEAL KIT	6.000	3.000	80.17	RTIM-F019069	SEAL KIT	50.00	25.00	44.21
RTIM-842937500	SEAL KIT	7.000	3.000	63.09	RTIM-F432351	SEAL KIT		50.00	48.45
RTIM-842938200	SEAL KIT	7.000	3.500	91.28	RTIM-F433145	SEAL KIT	5.500	2.500	168.01
RTIM-843009800	SEAL KIT	5.000	2.500	85.14	RTIM-F433400	SEAL KIT		45.00	67.84
RTIM-843009900	SEAL KIT	5.500	2.500	125.07	RTIM-F433415	SEAL KIT		63.00	57.19
RTIM-843010000	SEAL KIT	4.000	2.000	56.37	RTIM-F434056	SEAL KIT	90.00		65.09
RTIM-843011300	SEAL KIT	4.500	2.500	64.29	RTIM-F434140	SEAL KIT	125.00		160.55
RTIM-843113700	SEAL KIT	4.000	2.500	108.63	RTIM-F434195	SEAL KIT	4.000	2.000	119.59
RTIM-8431265	SEAL KIT	2.000	25.00	33.51	RTIM-F434785	SEAL KIT	4.500	2.500	143.32
RTIM-8450282	SEAL KIT	4.500	1.750	95.66	RTIM-F434787	SEAL KIT	4.000	2.500	132.57
RTIM-845089800	SEAL KIT	3.500	1.750	93.34					

INDUSTRIAL  
SEAL KITS

MOBILE  
SEAL KITS

TIMBERJACK

All manufacturer's names, part numbers and descriptions are used for reference purposes only. We do not imply that any part shown is the product of these manufacturers.

Tel.: (780) 414-1871  
Fax: (780) 487-5419

**KITS 509**

[www.sealsonline.com](http://www.sealsonline.com)

## UNIT RIG

## KITS

Ref. Number	Desc.	Bore	Rod	\$	Ref. Number	Desc.	Bore	Rod	\$
RUNI-2002964	SEAL KIT		14.750	658.24	RUNI-915399	SEAL KIT	12.000	6.000	1267.64
RUNI-84109A	SEAL KIT	6.000	3.500	94.60	RUNI-916120	SEAL KIT	11.500	10.000	1809.44
RUNI-84109G	SEAL KIT	7.000	4.000	118.44	RUNI-916244	SEAL KIT	13.250	12.000	807.71
RUNI-912994	SEAL KIT		1.875	34.98	RUNI-916441	SEAL KIT	14.000	8.500	2051.15

## VICKERS

## KITS

Ref. Number	Desc.	Bore	Rod	\$	Ref. Number	Desc.	Bore	Rod	\$
RVIC-1097	TETRASEAL			0.90	RVIC-920021	SEAL KIT F/ PUMP 25VQ			44.27
RVIC-229235	0.781" SHAFT SEAL			11.69	RVIC-920025	SEAL KIT F/ PUMP 45VQ			54.60
RVIC-229236	0.969" SHAFT SEAL			18.84	RVIC-920040	SEAL KIT F/ PUMP 2520VQ			83.07
RVIC-263585	0.625" SHAFT SEAL			15.38	RVIC-920048	SEAL KIT F/ PUMP 3520VQ			74.22
RVIC-2647	PUMP MODEL: 20Q			0/R	RVIC-920056	SEAL KIT F/ PUMP 3525VQ			81.44
RVIC-394973	1.437" SHAFT SEAL			13.88	RVIC-920060	SEAL KIT F/ PUMP 4520VQ			92.05
RVIC-394973V	1.437" SHAFT SEAL			15.83	RVIC-920068	SEAL KIT F/ PUMP 4525VQ			99.30
RVIC-394974	1.625" SHAFT SEAL			12.20	RVIC-920072	SEAL KIT F/ PUMP 4535VQ			80.80
RVIC-394974V	1.625" SHAFT SEAL			0/R	RVIC-920173	VALVE SEAL KIT			140.84
RVIC-394976	1.156" SHAFT SEAL			10.69	RVIC-920365	VALVE SEAL KIT			78.05
RVIC-394976V	1.156" SHAFT SEAL			0/R	RVIC-922174	SEAL KIT F/ PUMP 2020V			26.93
RVIC-395562	PUMP RETAINER 20V			6.78	RVIC-922732	SEAL KIT F/ PUMP V210-1			20.37
RVIC-412013	PUMP RETAINER 35V			7.21	RVIC-922733	SEAL KIT F/ PUMP 20V			16.08
RVIC-413029	1.156" SHAFT SEAL			14.07	RVIC-922850	SEAL KIT F/ PUMP 25V			20.94
RVIC-415375	PUMP RETAINER 45V			7.66	RVIC-922851	SEAL KIT F/ PUMP 35V			27.24
RVIC-415731	PUMP RETAINER 25V			7.13	RVIC-922852	SEAL KIT F/ PUMP 45V			20.94
RVIC-419672	3.265" SEAL RING			4.39	RVIC-922856	SEAL KIT F/ PUMP 2520V			33.20
RVIC-419673	3.828" SEAL RING			6.12	RVIC-922859	SEAL KIT F/ PUMP 3520V			36.89
RVIC-419674	4.520" SEAL RING			8.40	RVIC-922862	SEAL KIT F/ PUMP 3525V			36.89
RVIC-419675	5.270" SEAL RING			8.54	RVIC-922863	SEAL KIT F/ PUMP 4520V			36.89
RVIC-429284	1.437" SHAFT SEAL			28.45	RVIC-922865	SEAL KIT F/ PUMP 4525V			38.13
RVIC-6333U031	SEAL KIT	4.000	2.000	77.91	RVIC-922866	SEAL KIT F/ PUMP 4535V			40.58
RVIC-6333U051	SEAL KIT	6.000	2.500	121.84	RVIC-923096	SEAL KIT F/ MOTOR 50M			102.79
RVIC-919231	VALVE SEAL KIT			32.69	RVIC-923106	SEAL KIT F/ MOTOR 45M			57.38
RVIC-919248	VALVE SEAL KIT			25.02	RVIC-923157	SEAL KIT F/ MOTOR 25M			54.94
RVIC-919448	VALVE SEAL KIT			31.30	RVIC-923163	SEAL KIT F/ MOTOR 35M			62.91
RVIC-919615	VALVE SEAL KIT			77.69	RVIC-923174	SEAL KIT			38.82
RVIC-919620	VALVE SEAL KIT			17.57	RVIC-923548	SEAL KIT F/ MOTOR V10			20.72
RVIC-920015	SEAL KIT F/ PUMP			53.57	RVIC-923577	SEAL KIT F/ PUMP 2010V			30.90






All manufacturer's names, part numbers and descriptions are used for reference purposes only. We do not imply that any part shown is the product of these manufacturers.

INDUSTRIAL  
SEAL KITS

MOBILE  
SEAL KITS

UNIT RIG - VICKERS

## VOLVO-MICHIGAN-EUCLID INDEX FOR SEAL KITS

	<b>EXCAVATOR</b>						<b>KITS 512</b>	
	EC230B	EC280	EC340	EC360				
	<b>WHEEL LOADER</b>						<b>KITS 512</b>	
	35A	55A	75B	125A-II	175C	675B	L120B	L480
	35AWS	55A-II	LF75B	125-III A	275-III	L30	L140	L480B
	35B	55-III	75C	125B	275-III A	L50	L150	L480T
	35C	55-III A GRR	75C-III A	125C	275B	L50B	L160	
	35R	55B	85A	175A	275C	L70	L180	
	45A	55C	85A-II	175A-II	475-III A	L70B	L190	
	45B	75A-II	85-III	175-III	475B	L90	L270	
	45FB	75-III	85-III A	175-III A	475C	L90B	L270B	
	45C	75-III A	125A	175B	475CT	L120	L320	
	<b>WHEEL DOZER</b>						<b>KITS 525</b>	
	180	280	280-III A	280C	380-III A	W380		
	180-III	280-III	280B	380-III	380B			
	<b>ARTICULATED DUMP TRUCK</b>						<b>KITS 528</b>	
	A20	A25B	A30	A35	5350B			
	A25	A25C	A30C	A35C				
	<b>LOG SKIDDER</b>						<b>KITS 529</b>	
	F65	664B	F665	666C	667C	688B	F668	
	662	664C	666	666D	667D	668C		
	664	664D	666B	F666	668	668D		
<b>VOLVO-MICHIGAN-EUCLID KIT LISTING</b>						<b>KITS 531</b>		

INDUSTRIAL SEAL KITS

MOBILE SEAL KITS



VOLVO-MICHIGAN-EUCLID

All manufacturer's names, part numbers and descriptions are used for reference purposes only. We do not imply that any part shown is the product of these manufacturers.

**Tel.: (403) 279-1871**  
**Fax: (403) 279-1821**

**KITS 511**

[www.sealsonline.com](http://www.sealsonline.com)

## VOLVO-MICHIGAN-EUCLID

## EXCAVATOR

Model	Application	Serial Number	Cylinder Group	Bore	Rod	I	Ref. Number RVME-	\$
						M		
EC230B	BOOM/FRONT SHOVEL	0-4655	1142508811	160.00	105.00	M	11997089/5	672.01
		4656-UP	42654656					
	BOOM/MATERIAL HANDLE	0-4655	142479005	160.00	105.00	M	11997089/5	672.01
	BUCKET	4656-UP	142654649					
		0-4655	142508902	140.00	90.00	M	11997091/1	535.17
		4656-UP	142654664					
	BUCKET/ARTICULATESLOPE		142459759	70.00	50.00	M	11997227	267.44
	BUCKET/QUICK FIT	0-4465	142357003	70.00	32.00	M	11999887	108.95
		4466-UP	142616416					
	DIPPER ARM		140533530	150.00	105.00	M	11997226	465.12
	KNUCKLE	ALL	142654680	160.00	105.00	M	11997089/5	672.01
EC280	KNUCKLE/FRONT SHOVEL		140533357	125.00	80.00	M	11997225	316.14
	ARM		143446169	160.00	110.00	M	11705818	492.55
	BOOM		143446151	150.00	100.00	M	11703474	421.96
	BUCKET		143446177	140.00	95.00	M	11705814	377.56
				143446169	160.00	110.00	M	11705818
	QUICK FIT		143419398	70.00	32.00	M	11702311	84.88
EC340	ARM		143423911	170.00	125.00	M	11702757	583.21
	BOOM		143446185	150.00	105.00	M	11702744	389.87
	BUCKET		143423911	170.00	125.00	M	11702757	583.21
	BUCKET/QUICK FIT		143419398	70.00	32.00	M	11702311	84.88
EC360	BOOM		114607440	160.00	105.00	M	814816130	469.09
			114604980	160.00	105.00	M	814816020	469.09
	BUCKET		114605000	150.00	105.00	M	814816030	389.08
				150.00	105.00	M	814816150	389.08
		DIPPER ARM		114607450	170.00	115.00	M	814816140
			114604990	170.00	115.00	M	814816040	548.55

## WHEEL LOADER

35A	BOOM		1504471	6.000	2.750	I	2516065	81.15
	BUCKET		1504470	5.000	2.000	I	2516059	71.21
	CLAMP		2512955	3.500	1.750	I	2516071	53.76
35AWS	BOOM	C5WG9-301--C5WG9-999 7WG101-UP	1504471	6.000	2.750	I	2516065	81.15
	BUCKET	C3WA9-91--C3WA9-999 C5WG9-301--C5WG9-999 7WG101-UP	1504470	5.000	2.000	I	2516059	71.21
	STEERING	C3WA9-91--C3WA9-999 C5WG9-301--C5WG9-999 7WG101-UP	1524562	2.500	1.000	I	2516055	25.68

All manufacturer's names, part numbers and descriptions are used for reference purposes only. We do not imply that any part shown is the product of these manufacturers.

INDUSTRIAL  
SEAL KITS

MOBILE  
SEAL KITS

VOLVO-MICHIGAN-EUCLID

## WHEEL LOADER

## VOLVO-MICHIGAN-EUCLID

Model	Application	Serial Number	Cylinder Group	Bore	Rod	I	Ref. Number RVME-	\$
						M		
	CLAMP	C3WA9-91--C3WA9-999 C5WG9-301--C5WG9-999 7WG101-UP C3WA9-91--C3WA9-999	1524563 2512955	3.500	1.750	I	2516071	53.76
<b>35B</b>	STEERING		1524562 1524563	2.500	1.000	I	2516055	25.68
	CLAMP			3.500	1.750	I	2516071	53.76
<b>35C</b>	BOOM	458A101CB-116CB 472A101CB-255CB	2521773	4.000	2.000	I	2530107	49.53
		458A101CB-116CB 472A101CB-255CB	2521774					
		458A117CB-UP 472A256CB-UP	2523265					
		458A101CB-116CB 472A101CB-255CB	2523266					
		472C220CB-UP 472C220CB-UP	2538680 2538682					
		472D101CB-UP 807B101CB-UP	2533144	4.000	2.000	I	2551403	71.43
		472D101CB-UP 807B101CB-UP	2533145					
		472C9101-UP 807A9101-UP	2538692	4.500	2.000	I	2538178	51.82
		472C9101-UP 807A9101-UP	2538691					
		472D9101-UP 807B9101-UP	2530960	4.500	2.000	I	2551398	75.00
		472D9101-UP 807B9101-UP	2530961					
	BUCKET	458A101CB-116CB 472A101CB-255CB	2521041	3.500	1.750	I	2538174	40.18
		458A101CB-116CB 472A101CB-255CB	2521043					
		458A117CB-UP 472A256CB-327CB	2523230					
		458A117CB-UP 472A256CB-327CB	2523229					
		472A328CB-UP	2526749					
		472A328CB-UP	2526750					
		472C220CB-UP	2538687					
		472C220CB-UP	2538686					
		472C9101-UP 807A9101-UP	2538697 2538696					
		472D101CB-UP 807B101CB-UP	2533904	3.500	1.750	I	2542570	76.91

All manufacturer's names, part numbers and descriptions are used for reference purposes only. We do not imply that any part shown is the product of these manufacturers.

**Tel.: (418) 688-3202**  
**Fax: (418) 688-4272**

**KITS 513**

[www.sealsonline.com](http://www.sealsonline.com)

INDUSTRIAL  
SEAL KITS

MOBILE  
SEAL KITS

VOLVO-MICHIGAN-EUCLID

## VOLVO-MICHIGAN-EUCLID

## WHEEL LOADER

Model	Application	Serial Number	Cylinder Group	Bore	Rod	I	Ref. Number RVME-	\$
						M		
35R	BOOM BUCKET STEERING CLAMP	472D101CB-UP	2533906	6.000	2.750	I	2516065	81.15
		807B101CB-UP	2533903					
		472D9101CB-UP						
		807B9101CB-UP						
		472D101CB-UP	2533905					
		807B101CB-UP						
45A	BOOM		1504472	7.000	2.750	I	2516148	106.46
45B, 45FB	BUCKET STEERING		1504470	5.000	2.000	I	2516059	71.21
			1524562	2.500	1.000	I	2516055	25.68
		1524563	3980095	4.500	2.000	I	2516271	55.87
	BOOM							
	BUCKET	3980108	3.500	1.750	I	2516270	54.14	
		3980125	3980906	2.500	1.250	I	2516272	27.11
STEERING								
GRAPPLE								
	CLAMP	1539308	3.500	1.750	I	2516071	53.76	
		1539308	3.500	1.750	I	2516071	53.76	
45C	BOOM	459A101CB-140CB	2521767	4.500	2.000	I	2538178	51.82
		473A101CB-322CB	2521768	4.500	2.000	I	2538178	51.82
		459A101CB-140CB						
		473A101CB-322CB						
		459A141CB-UP	2522734					
		473A323CB-UP						
		459A141CB-UP	2522735					
		473A323CB-UP						
		459D123CB-UP	2538692	4.500	2.000	I	2551398	75.00
		473C						
		459A141CB-UP	2538691					
		473A323CB-UP						
		459E101CB-UP	2530960	4.500	2.000	I	2542577	96.86
		473D101CB-UP						
		485B101CB-UP	2530961	5.000	2.250	I	2542577	96.86
		459E101CB-UP						
		473D101CB-UP						
		485B101CB-UP						
		459C9501-UP	2531210					
		473C9501-UP						
		485A9501-UP	2531211					
		459E9101CB-UP						
		473D9101CB-UP						
		485B9101CB-UP						
		459C9501-UP	2531211					
		473C9501-UP						

All manufacturer's names, part numbers and descriptions are used for reference purposes only. We do not imply that any part shown is the product of these manufacturers.

INDUSTRIAL  
SEAL KITS

MOBILE  
SEAL KITS

VOLVO-MICHIGAN-EUCLID

## WHEEL LOADER

## VOLVO-MICHIGAN-EUCLID

Model	Application	Serial Number	Cylinder Group	Bore	Rod	I	Ref. Number RVME-	\$	
						M			
	BUCKET	485A9501-UP	2521044	3.500	1.750	I	2538174	40.18	
		459E9101CB-UP							
		473D9101CB-UP							
		485B9101CB-UP							
		459A101CB-140CB							
		473A101CB-322CB							
		459A101CB-140CB							2521042
		473A101CB-322CB							
		459A141CB-155CB							2522923
		473A323CB-403CB							
	459A141CB-155CB	2522924							
	473A323CB-403CB								
		459A156CB-UP	2526536						
		473A404CB-UP							
		459A156CB-UP	2526537						
		473A404CB-UP							
		459D123CB-UP, 473C	2538696						
		459D123CB-UP, 473C	2538697						
		459E101CB-UP	2533903	3.500	1.750	I	2542570	76.91	
		473D101CB-UP							
		485B101CB-UP							
		459E101CB-UP	2533905						
	473D101CB-UP								
	485B101CB-UP								
		459C9501CB-UP	2531025	4.000	2.000	I	2551403	71.43	
		473C9501-UP	2531024						
		485A9501-UP							
		459C9501CB-UP							
		473C9501-UP							
		485A9501-UP							
<b>55A, 55A-11, 55-III, 55-III A GRR</b>		BOOM			3.500	2.000	I	2538184	74.55
					3.500	1.750	I	2516071	53.76
			9BG101-UP	1508377	3.500	2.000	I	2516073	49.55
			9BA101-UP						
	416A101-416A499		1507822	5.000	2.250	I	2516060	48.46	
		4160A101FSC-4160A499FSC							
		433A101-UP	1546056						
		416A500-UP							
		4160A500FSC-UP							
		4152A102FSC-UP							
		416A101-416A499	1507823						
		4160A101FSC-4160A499FSC							
		433A101-UP	1546057						
		416A500-UP							
		4160A500FSC-UP							
		4152A102FSC-UP							
		433B700CAC-UP	2514111	5.000	2.250	I	2516058	57.72	

All manufacturer's names, part numbers and descriptions are used for reference purposes only. We do not imply that any part shown is the product of these manufacturers.

INDUSTRIAL SEAL KITS

MOBILE SEAL KITS

VOLVO-MICHIGAN-EUCLID

Tel.: (514) 334-2220  
Fax: (514) 333-8329

**KITS 515**

[www.sealsonline.com](http://www.sealsonline.com)



## VOLVO-MICHIGAN-EUCLID

## WHEEL LOADER

Model	Application	Serial Number	Cylinder Group	Bore	Rod	I	Ref. Number RVME-	\$	
						M			
55B	BUCKET	433B395FSC-UP	2514122	5.000	2.250	I	2530108	59.10	
		416C857CAC-UP							
		416C205FSC-UP							
		433B700CAC-UP							
		433B395FSC-UP							
		416C857CAC-UP							
	416C205FSC-UP								
	STEERING	9BG101-UP	1539308	3.500	1.750	I	2516071	53.76	
		9BA101-UP	1507711	3.500	2.000	I	2516073	49.55	
		433A101-433A110	1545412	4.000	2.000	I	2516090	47.28	
		416A101-416A519	1549758	4.000	2.000	I	2530107	49.53	
		4160A500FSC-UP							
4152A102FSC-UP									
433A111-UP									
416A520-UP	1503828	4.000	2.000	I	2551403	71.43			
9BG101-UP	1508904	2.500	1.000	I	2516055	25.68			
9BA101-UP	1508904	3.500	1.750	I	2516072	40.09			
433B101C-UP									
433B101ENC-UP									
CLAMP SIDE DUMP	BOOM	433B101FSC-631FSC	1539308	3.500	1.750	I	2538177	59.83	
		416C101C-UP							
		416C101FSC-273							
		4152101ENC-UP							
		4152C101FSC-UP							
		4152C101FSC-UP							
BUCKET	STEERING	433B101FSC-631FSC	2514111	5.000	2.250	I	2516060	48.46	
		416C101C-UP							
		416C101FSC-273							
		4152101ENC-UP							
		4152C101FSC-UP							
		4152C101FSC-UP							
	BUCKET	STEERING	433B101FSC-631FSC	2514122	5.000	2.250	I	2516058	57.72
			416C101C-UP						
			416C101FSC-273						
			4152101ENC-UP						
			4152C101FSC-UP						
			4152C101FSC-UP						
BUCKET	STEERING	433B101FSC-631FSC	2532635	5.000	2.250	I	2530108	59.10	
		416C101C-UP							
		416C101FSC-273							
		4152101ENC-UP							
		4152C101FSC-UP							
		4152C101FSC-UP							

All manufacturer's names, part numbers and descriptions are used for reference purposes only. We do not imply that any part shown is the product of these manufacturers.

INDUSTRIAL  
SEAL KITS

MOBILE  
SEAL KITS

VOLVO-MICHIGAN-EUCLID

## WHEEL LOADER

## VOLVO-MICHIGAN-EUCLID

Model	Application	Serial Number	Cylinder Group	Bore	Rod	I	Ref. Number RVME-	\$	
						M			
55C	CLAMP SIDE DUMP		2532705	3.500	1.750	I	2538177	59.83	
				3.500	1.750	I	2542570	76.91	
			1539306	3.500	1.750	I	2516071	53.76	
			1545577	3.500	2.000	I	2516073	49.55	
	BOOM	480A, 480B101CB-152CB	2523872	5.000	2.250	I	2530108	59.10	
		481A, 481B101CB-136CB							
		480B153CB-UP	2538707						
		481B137CB-UP							
		480A, 480B101CB-152CB	2523873						
		481A, 481B101CB-136CB							
		480B153CB-UP	2538706						
		481B137CB-UP							
75A-II	BUCKET		2531210	5.000	2.250	I	2542577	96.86	
			2531211						
			2526668	4.000	2.000	I	2530107	49.53	
			2538701						
			2526667						
75A-II	BOOM			5.000	2.000	I	2516059	71.21	
				4.500	2.250	I	2516070	67.78	
	BUCKET			5.000	2.250	I	2516061	68.46	
				5.000	2.000	I	2516059	71.21	
				4.000	2.000	I	2516088	71.14	
				4.500	2.250	I	2516070	67.78	
	STEERING			1503828	2.500	1.000	I	2516055	25.68
					3.500	1.750	I	2516071	53.76
	CLAMP SIDE DUMP				3.500	1.750	I	2516071	53.76
					3.500	1.750	I	2516071	53.76
75-III	BOOM	10CG101-UP	1503887	4.500	2.250	I	2516070	67.78	
	BUCKET	10CG101-UP	1507808	4.000	2.000	I	2516088	71.14	
			1503233						
75-III	STEERING	10CG101-UP	1503828	2.500	1.000	I	2516055	25.68	
	BOOM			5.000	2.000	I	2516059	71.21	
				1535946	5.000	2.250	I	2516061	68.46
	BUCKET			5.000	2.000	I	2516059	71.21	
				1536064	4.500	2.250	I	2516070	67.78
			1509802						
	STEERING		1504836	3.500	1.750	I	2516071	53.76	
75C-III	CLAMP SIDE DUMP			1539308	3.500	1.750	I	2516071	53.76
					3.500	1.750	I	2516071	53.76

All manufacturer's names, part numbers and descriptions are used for reference purposes only. We do not imply that any part shown is the product of these manufacturers.

**Tel.: (905) 362-0889**  
**Fax: (888) 238-1664**

**KITS 517**

**www.sealsonline.com**

INDUSTRIAL  
SEAL KITS

MOBILE  
SEAL KITS

VOLVO-MICHIGAN-EUCLID

## VOLVO-MICHIGAN-EUCLID

## WHEEL LOADER

Model	Application	Serial Number	Cylinder Group	Bore	Rod	I	Ref. Number RVME-	\$	
						M			
75B, LF75B	BOOM		1546056	5.000	2.250	I	2516060	48.46	
			1546057						
			2518076	5.000	2.250	I	2516058	57.72	
			2518075						
			1518977						
		1518978							
		2514111							
		2514122							
		2518076	5.000	2.250	I	2530108	59.10		
		2518075							
	1518977								
	1518978								
			2527513						
			2528565						
			2527549						
			2528566						
			2541827	5.000	2.250	I	2542577	96.86	
			2541828						
	BUCKET		1511554	4.250	2.000	I	2516054	50.73	
			2518071						
			2520412	5.000	2.000	I	2516058	57.72	
			2532204						
				5.000	2.250	I	2530108	59.10	
			964581	5.000	2.250	I	2542577	96.86	
	STEERING		1508904	3.500	2.250	I	2516072	40.09	
				3.500	1.750	I	2538177	59.83	
	CLAMP SIDE DUMP		2532706	3.500	1.750	I	2542570	76.91	
			1539308	3.500	1.750	I	2516071	53.76	
			1545577	3.500	2.000	I	2516073	49.55	
75C	BOOM			5.000	2.250	I	2530108	59.10	
			2541827	5.000	2.250	I	2542577	96.86	
		2541828							
	BUCKET			5.000	2.250	I	2516058	57.72	
				5.000	2.250	I	2530108	59.10	
			964581	5.000	2.250	I	2542577	96.86	
			2532204						
				5.000	2.750	I	2538187	58.52	
		STEERING		2541652	5.000	2.750	I	2542569	85.62
					3.500	1.750	I	2538177	59.83
			2532705	3.500	1.750	I	2542570	76.91	
			964667						
			2541853						
			964792						
			2529205						

All manufacturer's names, part numbers and descriptions are used for reference purposes only. We do not imply that any part shown is the product of these manufacturers.

INDUSTRIAL  
SEAL KITS

MOBILE  
SEAL KITS

VOLVO-MICHIGAN-EUCLID

## WHEEL LOADER

## VOLVO-MICHIGAN-EUCLID

Model	Application	Serial Number	Cylinder Group	Bore	Rod	I	Ref. Number RVME-	\$	
						M			
<b>85A, 85A-II</b>	STEERING		1503828	2.500	1.000	I	2516055	25.68	
			1503875						
<b>85-III, 85-IIIA</b>	BOOM			5.000	2.000	I	2516059	71.21	
			1503887	4.500	2.250	I	2516070	67.78	
			1502853	6.000	2.750	I	2516065	81.15	
			1502854	6.000	2.750	I	2516065	81.15	
	BUCKET			4.000	2.000	I	2516088	71.14	
			1507808	4.500	2.250	I	2516070	67.78	
			1509813	4.500	2.250	I	2516070	67.78	
	STEERING		1503875	2.500	1.000	I	2516055	25.68	
			CLAMP SIDE DUMP	1531950	3.500	1.750	I	2516071	53.76
					4.500	2.250	I	2516070	67.78
<b>125A, 125A-II, 125-IIIA</b>	BOOM	12AFC101-UP 12AFG101-UP	1503235	6.000	2.750	I	2516065	81.15	
			1503236	7.000	2.750	I	2516148	106.46	
			1503234	6.000	2.750	I	2516065	81.15	
	BUCKET	404A101-404A299 403A101-403A299 404A300-UP 403A300-UP	1543216	7.000	2.750	I	2516148	106.46	
				4.500	2.250	I	2516070	67.78	
				3.500	1.750	I	2516071	53.76	
<b>125B</b>	STEERING	12AFC101-UP 12AFG101-UP	1509846	4.500	2.250	I	2516070	67.78	
			1519174	6.000	2.750	I	2518493	97.16	
	1519175								
	2517390								
BUCKET		2517389	6.000	2.750	I	2538182	85.54		
			6.000	2.750	I	2542568	227.52		
		1519173	4.500	2.250	I	2516152	61.30		
		2517395							
	STEERING			4.500	2.250	I	2538179	55.46	
				4.500	2.250	I	2542576	80.75	
				5.000	2.750	I	2538187	58.52	
				5.000	2.750	I	2542569	85.62	
			2501171	3.500	1.750	I	2516072	40.09	
				3.500	1.750	I	2538177	59.83	
				3.500	1.750	I	2542570	76.91	
<b>125C</b>	BOOM		2528568	6.000	2.750	I	2538182	85.54	
			2528570						
			2528982						
			2528983						

INDUSTRIAL  
SEAL KITS

MOBILE  
SEAL KITS

VOLVO-MICHIGAN-EUCLID

All manufacturer's names, part numbers and descriptions are used for reference purposes only. We do not imply that any part shown is the product of these manufacturers.

Tel.: (204) 783-9617  
Fax: (204) 783-6091

**KITS 519**

[www.sealsonline.com](http://www.sealsonline.com)

## VOLVO-MICHIGAN-EUCLID

## WHEEL LOADER

Model	Application	Serial Number	Cylinder Group	Bore	Rod	I	Ref. Number RVME-	\$
						M		
		496A101CB-130CB 497A101CB-146CB 496A101CB-130CB 497A101CB-146CB 496A131CB-169CB 497A147CB-170CB	964597  964598  964793	6.000	2.750	I	2542568	227.52
		4244101FSC-156FSC 496A131CB-169CB 497A147CB-170CB 4244101FSC-156FSC 496A170CB-UP 497A171CB-UP	964794   2541357					
		4244A157FSC-UP 496A170CB-UP 497A171CB-UP 4244A157FSC-UP	2541356   2554419 2561089					
	BUCKET	496A101CB-169CB 497A101CB-190CB 4244A101FSC-169FSC 496A170CB-UP 497A191CB-UP	2532213 964796  2541648	5.000 5.000	2.750 2.750	I I	2538187 2542569	58.52 85.62
	STEERING	4244A169FSC-UP  496A101CB-169CB 497A101CB-190CB 4244A101FSC-159FSC 496A170CB-UP 497A191CB-UP 4244A160FSC-UP	2554081 2561088 2525743 964797  2541852	3.500 3.500	1.750 1.750	I I	2538174 2542570	40.18 76.91
<b>175A</b>	STEERING		1503987	3.500	1.750	I	2516071	53.76
<b>175A-II</b>	STEERING		1503987	3.500	1.750	I	2516071	53.76
<b>175-III, 175-IIIA</b>	BOOM BUCKET		1503236 1503234 1543216	7.000 6.000	2.750 2.750	I I	2516148 2516065	106.46 81.15
<b>175B</b>	BOOM		1518400 2518119 964596 2528567	7.000 7.000 7.000 7.000	2.750 2.750 2.750 2.750	I I I I	2516155 2518494 2538183 2551397	153.35 144.52 90.17 158.41
	BUCKET			6.000	2.750	I	2516065	81.15

All manufacturer's names, part numbers and descriptions are used for reference purposes only. We do not imply that any part shown is the product of these manufacturers.

INDUSTRIAL  
SEAL KITS

MOBILE  
SEAL KITS

VOLVO-MICHIGAN-EUCLID

## WHEEL LOADER

## VOLVO-MICHIGAN-EUCLID

Model	Application	Serial Number	Cylinder Group	Bore	Rod	I	Ref. Number RVME-	\$				
						M						
175C	STEERING		1511622	6.000	2.750	I	2518493	97.16				
			1517851									
			2518125									
			2524276									
			964798									
	1511641	4.500	2.000	I	2516151	46.65						
	BOOM			2518117	4.500	2.000	I	2538178	51.82			
				2532353								
				964586								
				2524467			7.000			3.000	I	2541637
964789				7.000			3.000			I	2542571	194.01
275-III	BUCKET		2541825	6.000	2.750	I	2538182	85.54				
			2524276									
			964796									
	STEERING		2541789			4.500			2.250	I	2538179	55.46
			2528848									
			964801									
BUCKET	2541510	7.000	2.750	I	2516148	106.46						
	1503231											
1543895												
275-IIIA	BUCKET		1503231	7.000	2.750	I	2516148	106.46				
275B	STEERING		1543895	5.500	2.250	I	2516094	69.70				
			1503241									
			1515236									
	BOOM		1537215	9.000	3.500	I	2516228	136.04				
			1537216									
			1511408									
			1511407									
			1518399									
			2504218									
			9.000			3.500			I	2538180	177.73	
9.000	3.500	I	2551396	260.00								
BUCKET			947456	7.000	2.750	I	2516155	153.35				
			1511406									
			1513815									
			2516176									
			7.000			2.750			I	2518494	144.52	
	STEERING			7.000	2.750	2.250	I	2538183	90.17			
				7.000								
				7.000								
				7.000								
				7.000								
1538181	5.250	2.250	I	2516156	55.19							
1511749	5.250	2.250	I	2516274	57.49							
2516160	5.250	2.250	I	2538181	69.63							
5.250						2.250	I	2551399	108.69			

INDUSTRIAL  
SEAL KITS

MOBILE  
SEAL KITS

VOLVO-MICHIGAN-EUCLID

All manufacturer's names, part numbers and descriptions are used for reference purposes only. We do not imply that any part shown is the product of these manufacturers.

Tel.: (780) 414-1871  
Fax: (780) 487-5419

**KITS 521**

[www.sealsonline.com](http://www.sealsonline.com)

## VOLVO-MICHIGAN-EUCLID

## WHEEL LOADER

Model	Application	Serial Number	Cylinder Group	Bore	Rod	I	Ref. Number	\$
						M		
<b>275C</b>	BOOM	492A101C-238C	964802	9.000	4.000	I	2538193	189.27
		240C, 241C, 242C		9.000	4.000	I	2542574	352.16
		492A239C	2541292					
		243C-999C						
		492A201CAC-UP						
	BUCKET	492A101C-225C	2554810 964803	7.000	2.750	I	2551397	158.41
		492A226C-235C	2541297					
	STEERING	492A101C-238C	2529566 964804	4.500	2.250	I	2538179	55.46
		240C, 241C, 242C, 252C		4.500	2.250	I	2542576	80.75
<b>475-IIIA</b>		254C, 255C						
		492A239C, 243C-251C	2541515					
		253C, 255C - 999C						
		492A201CAC-UP						
	BUCKET		1513011	9.000	4.500	I	2516230	172.48
STEERING	3AYC101-UP	1503659	7.000	2.750	I	2516148	106.46	
		2514101	7.000	2.750	I	2518494	144.52	
<b>475B</b>	BUCKET		1513011	9.000	4.500	I	2516230	172.48
			2514104					
	STEERING		1503659	7.000	2.750	I	2516148	106.46
			2514101	7.000	2.750	I	2518494	144.52
<b>475C, 475CT</b>	STEERING	483A, 487A, 488A	2527900	7.000	2.750	I	2526058	101.21
		483A, 487A, 488A	964807	7.000	2.750	I	2551397	158.41
		487C, 487B, 483B, 483C	2541333					
<b>675B L30</b>	STEERING	436A	1512049	8.000	3.500	I	2516187	118.86
	ATTACHMENT	-70117	4833424		20.00	M	11990060	50.90
		-70117	11005340		25.00	M	11990175	76.64
		70118-	11001980		20.00	M	11990060	50.90
	LIFT	-70117	11005193	100.00	50.00	M	6630513	72.50
<b>L50</b>	TILT	70118-	11001575	100.00	50.00	M	6630564	84.77
		-70117	11005194	80.00	40.00	M	11990106	77.28
		70118-	11001576	80.00	40.00	M	6630662	59.97
	STEERING	-70117	11005192	63.00	32.00	M	6630661	93.05
		70118-	11001574					
	ATTACHMENT	ALL	4833424	45.00	20.00	M	11990060	50.90
		ALL	11005340	45.00	25.00	M	11990175	76.64
	LIFT	-6400, -60300 (USA)	4784618	100.00	50.00	M	6630513	72.50
-6400, -60300 (USA)		4782418	80.00	40.00	M	6630560	97.98	
TILT	6401-, 60301 (USA)-	11005271	90.00	50.00	M	11990244	67.01	
	-6400, -60300 (USA)	4833111	90.00	50.00	M	6630858	59.54	
	-6400, -60300 (USA)	4782424	100.00	50.00	M	6630562	68.90	

All manufacturer's names, part numbers and descriptions are used for reference purposes only. We do not imply that any part shown is the product of these manufacturers.

INDUSTRIAL SEAL KITS

MOBILE SEAL KITS

VOLVO-MICHIGAN-EUCLID

## WHEEL LOADER

## VOLVO-MICHIGAN-EUCLID

INDUSTRIAL  
SEAL KITS

MOBILE  
SEAL KITS

VOLVO-MICHIGAN-EUCLID

Model	Application	Serial Number	Cylinder Group	Bore	Rod	I	Ref. Number	\$	
						M			RVME-
<b>L50B</b>	STEERING	6401-, 60301 (USA)-	110052630	80.00	45.00	M	11990243	38.42	
		ALL	4784920	63.00	32.00	M	6630661	93.05	
	TILT	ALL	11088017	125.00	70.00	M	11990437	86.01	
	LIFT	ALL	11088016	90.00	60.00	M	11990438	100.08	
	STEERING	ALL	11005137	70.00	40.00	M	11990439	73.53	
<b>L70</b>	ATTACHMENT	ALL	11088072						
		ALL	4833424		20.00	M	11990060	50.90	
		ALL	11005340		25.00	M	11990175	76.64	
		LIFT	-7400, -60500 (USA)	4833304	110.00	60.00	M	11990028	74.14
		LIFT	7401-, 60501 (USA)-	11005288	100.00	60.00	M	11990181	60.81
<b>L70B</b>	TILT	-7400, -60500 (USA)	4833399	100.00	50.00	M	6630513	72.50	
	STEERING	7401-, 60501 (USA)-	11005284	100.00	50.00	M	11990180	73.37	
		ALL	4784940	70.00	36.00	M	6630909	61.23	
	STEERING	ALL	11005388						
		ALL	11088289	70.00	40.00	M	11990439	73.53	
<b>L90</b>	ATTACHMENT	ALL	4741301		20.00	M	6630475	43.93	
		ALL	4833424		20.00	M	11990060	50.90	
		ALL	11005340		25.00	M	11990175	76.64	
		LIFT	ALL	11005000	120.00	60.00	M	11990026	121.60
		LIFT	ALL	11005178					
		TILT	-11015	4833225	110.00	60.00	M	11990028	74.14
<b>L90B</b>	STEERING	11016-	11088064						
		ALL	4784553	80.00	50.00	M	11990050	59.90	
	ATTACHMENT	ALL	11005340	45.00	25.00	M	11990175	76.64	
	LIFT	ALL	11088062	120.00	60.00	M	11990026	121.60	
	TILT	ALL	11088064	110.00	60.00	M	11990028	74.14	
<b>L120</b>	STEERING	ALL	11088065	80.00	50.00	M	11990050	59.90	
	ATTACHMENT	ALL	4741301		20.00	M	6630475	43.93	
		ALL	4833424		20.00	M	11990060	50.90	
		ALL	11005340		25.00	M	11990175	76.64	
	LIFT	ALL	4833249	140.00	70.00	M	11990029	173.15	
<b>L120B</b>	TILT	ALL	4833231	125.00	70.00	M	11990027	105.60	
	STEERING	ALL	4833261	80.00	50.00	M	11990050	59.90	
		LIFT	ALL	11088048	140.00	70.00	M	11990404	144.67
	TILT	ALL	11088046	125.00	60.00	M	11990405	91.24	
	ATTACHMENT	ALL	11005340		25.00	M	11990175	76.64	
	STEERING	ALL	11088049	80.00	50.00	M	11990050	59.90	
		LIFT			160.00	80.00	M	11999894	285.16
<b>L120C</b>	TILT			230.00	110.00	M	11999892	434.37	
	STEERING			80.00	50.00	M	11999906	69.55	
		LIFT	831A, 831AC	2561089	6.000	2.750	I	2542568	227.52
<b>L140</b>	TILT	831A, 831AC	2561088	5.000	2.750	I	2542569	85.62	

All manufacturer's names, part numbers and descriptions are used for reference purposes only. We do not imply that any part shown is the product of these manufacturers.

Tel.: (403) 279-1871  
Fax: (403) 279-1821

**KITS 523**

[www.sealsonline.com](http://www.sealsonline.com)



## VOLVO-MICHIGAN-EUCLID

## WHEEL LOADER

Model	Application	Serial Number	Cylinder Group	Bore	Rod	I	Ref. Number RVME-	\$
						M		
<b>L150</b>	ATTACHMENT STEERING	ALL	11005392	63.00	32.00	M	6630661	93.05
		ALL	11005294	90.00	50.00	M	11990347	68.46
<b>L150C</b>	LIFT			170.00	90.00	M	11990349	676.21
<b>L160</b>	LIFT	-2704, 60117 (USA) -	4833410	170.00	80.00	M	6630510	207.80
		-2704, 60117 (USA) -	11005152					
		-2704	4833411					
		2705-2981	11005153					
	TILT	2982-, 60208 (USA)-	11005247	160.00	80.00	M	11990158	186.52
		2982-	11005251					
<b>L180</b>	ATTACHMENT	ALL	4784247	63.00	28.00	M	6630749	78.43
		ALL	11005392	63.00	32.00	M	6630661	93.05
		ALL	4782993	100.00	50.00	M	6630513	72.50
		ALL	4782979	125.00	60.00	M	11000107	147.31
		ALL	4833321	140.00	70.00	M	6630650	112.12
		ALL	4784151	125.00	60.00	M	11000107	147.31
	STEERING	ALL	4782803	110.00	50.00	M	6630511	71.87
	LIFT, HIGH	ALL	4782993	100.00	50.00	M	6630513	72.50
BRACKET	ALL	4833321	140.00	70.00	M	6630650	112.12	
	STEERING	ALL	11005392	63.00	32.00	M	6630661	93.05
		ALL	11005404	100.00	50.00	M	11990398	59.03
<b>L180C</b>	TILT			260.00	120.00	M	11990395	686.50
<b>L190</b>	TILT	828A101-828A672	2562742	6.000	2.750	I	2542568	227.52
		828AC673-828AC788						
<b>L270</b>	LIFT	827A101-UP	2561435	9.000	4.000	I	2542574	352.16
	TILT	827A101-UP	2561422	7.500	3.500	I	2562116	224.22
	STEERING	827A101-UP	2559738	5.000	2.750	I	2562115	203.98
		827A101-UP	12579007	5.000	2.750	I	2562115	203.98
<b>L270B</b>	LIFT	827BC00501-UP	2561435	9.000	4.000	I	2542574	352.16
	TILT	827BC00501-UP	2561422	7.500	3.500	I	2562116	224.22
	STEERING	827BC00501-UP	12579007	5.000	2.750	I	2562115	203.98
<b>L320</b>	LIFT	811A101-UP	2558980	9.000	4.500	I	2562117	314.12
	TILT	811A101-UP	2559495	7.500	3.500	I	2562116	224.22
		811AC00651-UP						
	STEERING	811A101-UP	12579807	5.000	2.750	I	2562115	203.98
<b>L480, L480B, L480T</b>	STEERING	811AC00651-UP						
		830A101-UP	2541333	6.000	2.750	I	2542568	227.52

All manufacturer's names, part numbers and descriptions are used for reference purposes only. We do not imply that any part shown is the product of these manufacturers.

INDUSTRIAL  
SEAL KITS

MOBILE  
SEAL KITS

VOLVO-MICHIGAN-EUCLID

## WHEEL DOZER

## VOLVO-MICHIGAN-EUCLID

Model	Application	Serial Number	Cylinder Group	Bore	Rod	I	Ref. Number RVME-	\$
						M		
<b>180</b>	TILT	1896, 1898-1902 2823-2891, 1823-1895 1897, 1903, 1904	1503598	6.000	2.750	I	2516065	81.15
		2892-2942 2LC52-UP 2LG101-UP	1503986	3.500	1.750	I	2516071	53.76
<b>180-III</b>	PITCH	2892-2942 2LC52-UP 2LG101-UP	1503598	6.000	2.750	I	2516065	81.15
		LIFT	5LC101-UP 6LG101-UP	1503608	5.000	2.000	I	2516059
<b>180-III</b>	PITCH	4035B101FSC-UP 5LC101-UP 6LG101-UP	1503598	6.000	2.750	I	2516065	81.15
		STEERING	4035B101FSC-UP 5LC101-UP 6LG101-UP	1503987	3.500	1.750	I	2516071
<b>180-III</b>	TILT	4035B101FSC-UP 5LC101-UP 6LG101-UP 4035B101FSC-UP	1503986	3.500	1.750	I	2516071	53.76
		<b>280, 280-III</b>	LIFT	32123-32999 1MC156-3MC999 1MG1-3MG999	1503604	6.000	2.750	I
PITCH	32123-32999 1MC156-3MC999 1MG1-3MG999		1503607	6.000	2.750	I	2516065	81.15
<b>280-III</b>	LIFT	8AMC192-UP 9AMG425-4047B101FSC 456B101-999 456C101-145C 460D101C-130C	1503604	6.000	2.750	I	2516065	81.15
		8AMC101-8AMC192	1503605	5.250	2.750	I	2516094	69.70
<b>280-III</b>	PITCH	9AMG125-9AMG424 456C146C-UP 460D131C-UP	2522607	6.000	2.750	I	2538182	85.54
		TILT	460D131C-UP 8AMC101-9AMC999	964665 1503606	4.500 5.250	2.000 2.750	I I	2551398 2516094
<b>280-III</b>	STEERING	9AMG122, 9AMG124-UP 4047B101FSC-UP 460D101-130C 460D131C- 460D131C-	2522880 964662	5.250 5.250	2.250 2.250	I I	2538181 2551399	69.63 108.69
		8AMC101-8AMC217 9AMG125-9AMG469	1503241	5.250	2.750	I	2516094	69.70

All manufacturer's names, part numbers and descriptions are used for reference purposes only. We do not imply that any part shown is the product of these manufacturers.

**Tel.: (604) 278-6808**  
**Fax: (604) 278-6180**

**KITS 525**

[www.sealsonline.com](http://www.sealsonline.com)

INDUSTRIAL  
SEAL KITS

MOBILE  
SEAL KITS

VOLVO-MICHIGAN-EUCLID

## VOLVO-MICHIGAN-EUCLID

## WHEEL DOZER

Model	Application	Serial Number	Cylinder Group	Bore	Rod	I	Ref. Number RVME-	\$
						M		
		3AMC218-UP 9AMG470-UP 4047B101FSC-UP 456B101-999 456C101C-145C 460D101-130C	1515236					
		456B101-999 456C101-145C 456C146C-UP 460D131C-UP 456C146C-UP 456C146C-UP	1503606 2522932 2522880 964584	5.250	1.750	I	2538181	69.63
<b>280B</b>	LIFT	498A, 499A	2522607	6.000	2.750	I	2538182	85.54
		498A, 499A	962698	6.000	2.750	I	2542568	227.52
	PITCH STEERING	498A, 499A	964665	4.500	2.000	I	2551398	75.00
		498A, 499A	2528419	5.250	1.750	I	2538181	69.63
	TILT	498A, 499A	964663	5.250	1.750	I	2551399	108.69
		498A, 499A	2522880	5.250	2.250	I	2538181	69.63
<b>280C</b>	LIFT	819A	2522607	6.000	2.750	I	2538182	85.54
		819A	12565916					
	TILT	819A	962698	6.000	2.750	I	2542568	227.52
		819A	2522880	5.250	2.250	I	2538181	69.63
<b>380-III</b>	PITCH STEERING	819A	964662	5.250	2.250	I	2551399	108.69
		819A	964665	4.500	2.000	I	2551398	75.00
		819A	2528419	5.250	1.750	I	2538181	69.63
		819A	964663	5.250	1.750	I	2551399	108.69
<b>380-III</b>	TILT	5RG101-UP	1503603	6.000	2.750	I	2516065	81.15
<b>380-III A, 380B</b>	LIFT	418A101-418A405, 434A	1531615	6.000	2.750	I	2516065	81.15
		418A406-UP	1510225					
	PITCH	418D, 484A, 434A 418A101-999 418D, 484A, 434A	1505457	5.250	2.250	I	2516094	69.70
<b>380B</b>	LIFT	418F101K-114K 484B101K-108K 434C101K-104K	1510225	6.000	2.750	I	2516065	81.15
		418F115K-UP 484B109K-UP 434C105K-UP	2522115	6.000	2.750	I	2538182	85.54
		484C101C-136C 808A101C-110C 810A101C-999C 434D101C-999C						
			418F, 484B, 434C, 813A 813B, 813BC	2552344				

All manufacturer's names, part numbers and descriptions are used for reference purposes only. We do not imply that any part shown is the product of these manufacturers.

INDUSTRIAL SEAL KITS

MOBILE SEAL KITS

VOLVO-MICHIGAN-EUCLID

## WHEEL DOZER

## VOLVO-MICHIGAN-EUCLID

Model	Application	Serial Number	Cylinder Group	Bore	Rod	I	Ref. Number RVME-	\$
						M		
		484C101C-136C 808A101C-110C 810A101C-999C 434D101C-999C 484C137C-999C 808A111C-999C	962697    964787	6.000	2.750	I	2542568	227.52
		808A101CAC-UP 484C101CAC-UP 810A101CAC-UP 813A, 813B, 813BC 813A, 813B, 813BC 813A, 813B, 813BC	   2556914 12568715 12572636					
	TILT	418F115K-UP 484B109K-UP 434C105K-UP 484C, 808A, 434D, 810A 813A, 813B, 813BC	2522120	6.000	2.750	I	2538182	85.54
		418F115K-UP 484B109K-UP 434C105K-UP 484C, 808A, 434D, 810A 813A, 813B, 813BC	964577	6.000	2.750	I	2542568	227.52
	PITCH	418F101K-114K 484B101K-108K	1505457	5.250	2.250	I	2516094	69.70
		434C101K-104K 418F115K-UP 484B109K-UP 434C105K-UP 484C, 808A, 434D, 810A 813A, 813B, 813BC	2522411	5.250	2.250	I	2538181	69.63
		418F115K-UP 484B109K-UP 434C105K-UP 484C, 808A, 434D, 810A 813A, 813B, 813BC 813A, 813B, 813BC	964583   2556971	5.250	2.250	I	2551399	108.69
	STEERING	418F115K-UP 484B109K-UP 434C105K-UP 484C, 808A, 434D, 810A 813A, 813B, 813BC	2522598	8.000	3.500	I	2538186	189.54
<b>W380</b>	TILT		2561629	6.000	2.750	I	2542568	227.52

INDUSTRIAL  
SEAL KITS

MOBILE  
SEAL KITS

VOLVO-MICHIGAN-EUCLID

All manufacturer's names, part numbers and descriptions are used for reference purposes only. We do not imply that any part shown is the product of these manufacturers.

Tel.: (418) 688-3202  
Fax: (418) 688-4272

**KITS 527**

[www.sealsonline.com](http://www.sealsonline.com)

## VOLVO-MICHIGAN-EUCLID

## ARTICULATED DUMP TRUCK

Model	Application	Serial Number	Cylinder Group	Bore	Rod	I	Ref. Number RVME-	\$
						M		
A20	TILT	-1126	4942058-1	75,90,105,120,140,160		M	6630852	335.52
		1127-1532	11053262-9					
	STEERING	1553-	11053261-1	60,75,90,105,120,140	M	6630839	297.19	
			4833274-6	100.00	70.00	M	6630443	64.91
A25	TILT	-5486	11053262-9	75,90,105,120,140,160	M	6630852	335.52	
		5487-UP	11061382-5	75,95,105,120,140	M	11993411	352.16	
		-4066	4941761-1	70, 105, 120, 140	M	6213407	354.01	
		-4091	4941338-8	60,75,90,105,120,140	M	6630839	297.19	
		4092-5486	11053261-1					
		4067-5598	11043078-2	75, 120, 140	M	11991589	225.99	
A25B	STEERING	5599-UP	11061383-3	75, 120, 140	M	11993103	182.07	
			4833274-6	100.00	70.00	M	6630443	64.91
	STEERING		4833274-6	100.00	70.00	M	6630443	64.91
A25C	STEERING	-10256/ -60911	4833274-6	100.00	70.00	M	6630443/7	65.06
	TIPPING	-10256/ -60911	11005475-6	125.00	70.00	M	11990351/6	216.25
A30	STEERING	-1183; -1186 (USA)	11005212-3	100.00	60.00	M	6630843	68.70
	TIPPING	1184-UP;1187 (USA)-UP	11088154-7					
		1012-	11088306-3	140.00	80.00	M	11990170/0	216.17
A30C	HOIST	-2320/ -2275	11005120-8					
			11088306-3	140.00	80.00	M	11990170/0	216.17
	STEERING	-2320/ -2275	1108815-3					
			11088154-7	100.00	60.00	M	6630843/8	67.11
A35	TILT	-1194; -1200 (USA)	11043080-8	75, 120, 140	M	11991589	225.99	
	STEERING	1195-UP; 1201 (USA) -UP	11061384-1	75, 120, 140	M	11993103	182.07	
		-1881; -1885 (USA)	4833125-0	100.00	70.00	M	11990070	81.95
		1882-UP; 1886 (USA) -UP	11088155-4					
A35C	STEERING	-4260	11088751-0	110.00	70.00	M	11701665/9	59.66
	TILT	-4260	11061384-1	75, 120, 140	M	11993103/8	188.81	
5350B	TILT		4942058-1	75,90,105,120,140,160	M	6630852	335.52	
			4942058-1					
			11053262-9					
			4941761-1	70, 105, 120, 140	M	6213407	354.01	
	STEERING		4941338-8	60,75,90,105,120,140	M	6630839	297.19	
		-2475	11053261-1					
	2746-UP	4782849-6	100.00	70.00	M	6630443	64.91	
		4833274-6						

All manufacturer's names, part numbers and descriptions are used for reference purposes only. We do not imply that any part shown is the product of these manufacturers.

INDUSTRIAL SEAL KITS

MOBILE SEAL KITS

VOLVO-MICHIGAN-EUCLID

## LOG SKIDDER

## VOLVO-MICHIGAN-EUCLID

INDUSTRIAL  
SEAL KITS

MOBILE  
SEAL KITS

VOLVO-MICHIGAN-EUCLID

Model	Application	Serial Number	Cylinder Group	Bore	Rod	I	Ref. Number	\$
						M		
<b>F65</b>	STEER & BLADE	553C,553GC,554G,554GC	2552115	4.000	2.000	I	2551403	71.43
	ARCH	553C,553GC,554G,554GC	2552115	4.000	2.000	I	2551403	71.43
	GRAPPLE	553C,553GC,554G,554GC	2552121	4.000	2.000	I	2551403	71.43
<b>662</b>	STEER & BLADE	501A,501B,502A,502B	1904666	3.500	1.750	I	1991086	47.18
<b>664</b>	STEER & BLADE	C9014,C9024,C9034,C9044	1904674	3.500	1.750	I	1991086	47.18
		C9014,C9024,C9034,C9044	1906258					
<b>664B</b>	STEER & BLADE	514E,514F,508A,508B,508C	1906258	3.500	1.750	I	1991086	47.18
	ARCH	514E,514F,508A,508B,508C	1906258	3.500	1.750	I	1991086	47.18
	GRAPPLE	514E,514F,508A,508B,508C	1916232	6.000	2.750	I	1991089	105.28
<b>664C</b>	STEER & BLADE	514H,508H,546H	1904666	3.500	1.750	I	1991086	47.18
	ARCH	514H,508H,546H	1904666	3.500	1.750	I	1991086	47.18
	GRAPPLE	514H,508H,546H	1916232	6.000	2.750	I	1991089	105.28
<b>664D</b>	STEER & BLADE	528A-528D,540A 529C,551D-551G	2552115	4.000	2.000	I	2551403	71.43
	ARCH	528A-528D,540A 529C,551D-551G	2552115	4.000	2.000	I	2551403	71.43
<b>F665</b>	STEER & BLADE	553G,554G	2552115	4.000	2.000	I	2551403	71.43
	ARCH	553G,554G	2552115	4.000	2.000	I	2551403	71.43
	GRAPPLE	553G,554G	2552121	4.000	2.000	I	2551403	71.43
<b>666</b>	STEER & BLADE	C9016,C9026,C9036,C9046 C9016,C9026,C9036,C9046	1904674 1906258	3.500	1.750	I	1991086	47.18
<b>666B</b>	STEER & BLADE	513E-513G,515A 500D-500G,526A	1904674	3.500	1.750	I	1991086	47.18
		513E-513G,515A 500D-500G,526A	1906258					
		513E-513G,515A 500D-500G,526A	1906258					
<b>666C</b>	ARCH	513E-513G,515A 500D-500G,526A	1906258	3.500	1.750	I	1991086	47.18
	GRAPPLE	513E-513G,515A 500D-500G,526A	1916232	6.000	2.750	I	1991089	105.28
<b>666C</b>	STEER & BLADE	513H,500H,515H,542H,526H	1904666	3.500	1.750	I	1991086	47.18
		513H,500H,515H,542H,526H	1904666	3.500	1.750	I	1991086	47.18
	ARCH	513H,500H,515H,542H,526H	1904666	3.500	1.750	I	1991086	47.18
	GRAPPLE	513H,500H,515H,542H,526H 513H,500H,515H,542H,526H	2552121 1916232	4.000 6.000	2.000 2.750	I I	2551403 1991089	71.43 105.28
<b>666D</b>	ARCH	548A,549A,552A 555A,559A,564B	2552115	4.000	2.000	I	2551403	71.43
	GRAPPLE	548A,549A,552A 555A,559A,564B	2552121	4.000	2.000	I	2551403	71.43
		548A,549A,552A 555A,559A,564B	2552115	4.000	2.000	I	2551403	71.43
		548A,549A,552A 555A,559A,564B	2552115	4.000	2.000	I	2551403	71.43

All manufacturer's names, part numbers and descriptions are used for reference purposes only. We do not imply that any part shown is the product of these manufacturers.

Tel.: (514) 334-2220  
Fax: (514) 333-8329

**KITS 529**

[www.sealsonline.com](http://www.sealsonline.com)

## VOLVO-MICHIGAN-EUCLID

## LOG SKIDDER

Model	Application	Serial Number	Cylinder Group	Bore	Rod	I	Ref. Number	\$
						M		
<b>F666</b>	BOOM	548A,549A,552A 555A,559A,564B	2552115	4.000	2.000	I	2551403	71.43
	ARCH	559B,555B,564B	2552115	4.000	2.000	I	2551403	71.43
	GRAPPLE	559B,555B,564B	2552121	4.000	2.000	I	2551403	71.43
	BOOM	559B,555B,564B	2552115	4.000	2.000	I	2551403	71.43
<b>667C</b>	ARCH	503B,504B,504C,509B,510B 510C,534B,534C,535A,536B 536C,537A	1917220	3.500	1.750	I	1991086	47.18
		503B,504B,504C,509B,510B 510C,534B,534C,535A,536B 536C,537A	2552115	4.000	2.000	I	2551403	71.43
<b>667D</b>	BOOM	503B,504B,504C,509B,510B 510C,534B,534C,535A,536B 536C,537A	1919023	3.500	1.750	I	1991086	47.18
	GRAPPLE	503B,504B,504C,509B,510B 510C,534B,534C,535A,536B 536C,537A	1916232	6.000	2.750	I	1991089	105.28
	STEER & BLADE	503B,504B,504C,509B,510B 510C,534B,534C,535A,536B 536C,537A	1917220	3.500	1.750	I	1991086	47.18
	STEER & BLADE	534D,534E,535D-535G 536D,536E,537D-537G	2552361	3.500	1.750	I	2542570	76.91
<b>668, 688B</b>	ARCH	556G,557G 534D,534E,535D-535G 536D,536E,537D-537G	2552115	4.000	2.000	I	2551403	71.43
	BOOM	556G,557G 534D,534E,535D-535G 536D,536E,537D-537G	1919023	3.500	1.750	I	1991086	47.18
<b>668C</b>	STEER & BLADE	556G,557G 534D,534E,535D-535G 536D,536E,537D-537G	2552115	4.000	2.000	I	2551403	71.43
		505A,507A	2518802	3.500	1.750	I	2538177	59.83
<b>668D</b>	STEER & BLADE	505C,507C,532A,533A 538C,539C	2537607	4.000	2.000	I	2530107	49.53
		507D,507E,532D,532E 539D,539E	2552141	4.000	2.000	I	2551403	71.43
<b>F668</b>	STEER & BLADE	565A,566A	2552141	4.000	2.000	I	2551403	71.43

All manufacturer's names, part numbers and descriptions are used for reference purposes only. We do not imply that any part shown is the product of these manufacturers.

INDUSTRIAL  
SEAL KITS

MOBILE  
SEAL KITS

VOLVO-MICHIGAN-EUCLID

## KIT LISTING

## VOLVO-MICHIGAN-EUCLID

Ref. Number	Desc.	Bore	Rod	\$	Ref. Number	Desc.	Bore	Rod	\$
RVME-055361	STAGES 60, 75, 90, 105, 120, 140			0/R	RVME-11999887	SEAL KIT	70.00	32.00	108.95
RVME-11000107	SEAL KIT	125.00	60.00	147.31	RVME-11999892	SEAL KIT	230.00	110.00	434.37
RVME-11701665/9	SEAL KIT	110.00	70.00	59.66	RVME-11999894	SEAL KIT	160.00	80.00	285.16
RVME-11702311	SEAL KIT	70.00	32.00	84.88	RVME-11999906	SEAL KIT	80.00	50.00	69.55
RVME-11702744	SEAL KIT	150.00	105.00	389.87	RVME-1991086	SEAL KIT	3.500	1.750	47.18
RVME-11702757	SEAL KIT	170.00	125.00	583.21	RVME-1991089	SEAL KIT	6.000	2.750	105.28
RVME-11703474	SEAL KIT	150.00	100.00	421.96	RVME-2516054	SEAL KIT	4.250	2.000	50.73
RVME-11705814	SEAL KIT	140.00	95.00	377.56	RVME-2516055	SEAL KIT	2.500	1.000	25.68
RVME-11705818	SEAL KIT	160.00	110.00	492.55	RVME-2516058	SEAL KIT	5.000	2.250	57.72
RVME-11707903	SEAL KIT	190.00	90.00	377.65	RVME-2516059	SEAL KIT	5.000	2.000	71.21
RVME-11990026	SEAL KIT	120.00	60.00	121.60	RVME-2516060	SEAL KIT	5.000	2.250	48.46
RVME-11990027	SEAL KIT	125.00	70.00	105.60	RVME-2516061	SEAL KIT	5.000	2.250	68.46
RVME-11990028	SEAL KIT	110.00	60.00	74.14	RVME-2516065	SEAL KIT	6.000	2.750	81.15
RVME-11990029	SEAL KIT	140.00	70.00	173.15	RVME-2516070	SEAL KIT	4.500	2.250	67.78
RVME-11990050	SEAL KIT	80.00	50.00	59.90	RVME-2516071	SEAL KIT	3.500	1.750	53.76
RVME-11990060	SEAL KIT		20.00	50.90	RVME-2516072	SEAL KIT	3.500	1.750	40.09
RVME-11990070	SEAL KIT	100.00	70.00	81.95	RVME-2516073	SEAL KIT	3.500	2.000	49.55
RVME-11990106	SEAL KIT	80.00	40.00	77.28	RVME-2516088	SEAL KIT	4.000	2.000	71.14
RVME-11990158	SEAL KIT	160.00	80.00	186.52	RVME-2516090	SEAL KIT	4.000	2.000	47.28
RVME-11990170	SEAL KIT	140.00	80.00	271.88	RVME-2516094	SEAL KIT	5.250	2.250	69.70
RVME-11990170/0	SEAL KIT	140.00	80.00	216.17	RVME-2516148	SEAL KIT	7.000	2.750	106.46
RVME-11990175	SEAL KIT		25.00	76.64	RVME-2516151	SEAL KIT	4.500	2.000	46.65
RVME-11990180	SEAL KIT	100.00	50.00	73.37	RVME-2516152	SEAL KIT	4.500	2.250	61.30
RVME-11990181	SEAL KIT	100.00	60.00	60.81	RVME-2516155	SEAL KIT	7.000	2.750	153.35
RVME-11990243	SEAL KIT	80.00	45.00	38.42	RVME-2516156	SEAL KIT	5.250	2.250	55.19
RVME-11990244	SEAL KIT	90.00	50.00	67.01	RVME-2516187	SEAL KIT	8.000	3.500	118.86
RVME-11990347	SEAL KIT	90.00	50.00	68.46	RVME-2516228	SEAL KIT	9.000	3.500	136.04
RVME-11990348	SEAL KIT	250.00	120.00	644.33	RVME-2516230	SEAL KIT	9.000	4.500	172.48
RVME-11990349	SEAL KIT	170.00	90.00	528.51	RVME-2516242	SEAL KIT	9.000	3.500	155.38
RVME-11990351/6	SEAL KIT	125.00	70.00	216.25	RVME-2516270	SEAL KIT	3.500	1.750	54.14
RVME-11990395	SEAL KIT	260.00	120.00	686.50	RVME-2516271	SEAL KIT	4.500	2.000	55.87
RVME-11990396	SEAL KIT	190.00	90.00	358.97	RVME-2516272	SEAL KIT	2.500	1.250	27.11
RVME-11990398	SEAL KIT	100.00	50.00	59.03	RVME-2516274	SEAL KIT	5.250	2.250	57.49
RVME-11990404	SEAL KIT	140.00	70.00	144.67	RVME-2518493	SEAL KIT	6.000	2.750	97.16
RVME-11990405	SEAL KIT	125.00	60.00	91.24	RVME-2518494	SEAL KIT	7.000	2.750	144.52
RVME-11990437	SEAL KIT	125.00	70.00	86.01	RVME-2525952	SEAL KIT	9.000	4.500	337.34
RVME-11990438	SEAL KIT	90.00	60.00	100.08	RVME-2526058	SEAL KIT	7.000	2.750	101.21
RVME-11990439	SEAL KIT	70.00	40.00	73.53	RVME-2530107	SEAL KIT	4.000	2.000	49.53
RVME-11991589	STAGES 75, 120, 140			225.99	RVME-2530108	SEAL KIT	5.000	2.250	59.10
RVME-11993103	STAGES 75, 120, 140			182.07	RVME-2538174	SEAL KIT	3.500	1.750	40.18
RVME-11993103/8	STAGES 75, 120, 140			188.81	RVME-2538177	SEAL KIT	3.500	1.750	59.83
RVME-11993411	STAGES 75, 95, 105, 120, 140			352.16	RVME-2538178	SEAL KIT	4.500	2.000	51.82
RVME-11997089/5	SEAL KIT	160.00	105.00	672.01	RVME-2538179	SEAL KIT	4.500	2.250	55.46
RVME-11997091/1	SEAL KIT	140.00	90.00	535.17	RVME-2538180	SEAL KIT	9.000	3.500	177.73
RVME-11997225	SEAL KIT	125.00	80.00	316.14	RVME-2538181	SEAL KIT	5.250	2.250	69.63
RVME-11997226	SEAL KIT	150.00	105.00	465.12	RVME-2538182	SEAL KIT	6.000	2.750	85.54
RVME-11997227	SEAL KIT	70.00	50.00	267.44	RVME-2538183	SEAL KIT	7.000	2.750	90.17
RVME-11999362	SEAL KIT	45.00	25.00	49.45	RVME-2538184	SEAL KIT	3.500	2.000	74.55

All manufacturer's names, part numbers and descriptions are used for reference purposes only. We do not imply that any part shown is the product of these manufacturers.

**Tel.: (905) 362-0889**  
**Fax: (888) 238-1664**

**KITS 531**

**www.sealsonline.com**

INDUSTRIAL  
SEAL KITS

MOBILE  
SEAL KITS

VOLVO-MICHIGAN-EUCLID



## VOLVO-MICHIGAN-EUCLID

## KIT LISTING

Ref. Number	Desc.	Bore	Rod	\$	Ref. Number	Desc.	Bore	Rod	\$
RVME-2538186	SEAL KIT	8.000	3.500	189.54	RVME-6630475	SEAL KIT		20.00	43.93
RVME-2538187	SEAL KIT	5.000	2.750	58.52	RVME-6630510	SEAL KIT	170.00	80.00	207.80
RVME-2538193	SEAL KIT	9.000	4.000	189.27	RVME-6630511	SEAL KIT	110.00	50.00	71.87
RVME-2541637	SEAL KIT	7.000	3.000	109.20	RVME-6630513	SEAL KIT	100.00	50.00	72.50
RVME-2542568	SEAL KIT	6.000	2.750	227.52	RVME-6630560	SEAL KIT	80.00	40.00	97.98
RVME-2542569	SEAL KIT	5.000	2.750	85.62	RVME-6630562	SEAL KIT	100.00	50.00	68.90
RVME-2542570	SEAL KIT	3.500	1.750	76.91	RVME-6630564	SEAL KIT	100.00	50.00	84.77
RVME-2542571	SEAL KIT	7.000	3.000	194.01	RVME-6630650	SEAL KIT	140.00	70.00	112.12
RVME-2542572	SEAL KIT	9.000	4.500	332.14	RVME-6630661	SEAL KIT	63.00	32.00	93.05
RVME-2542573	SEAL KIT	10.500	5.000	640.65	RVME-6630662	SEAL KIT	80.00	40.00	59.97
RVME-2542574	SEAL KIT	9.000	4.000	352.16	RVME-6630749	SEAL KIT	63.00	28.00	78.43
RVME-2542576	SEAL KIT	4.500	2.250	80.75	RVME-6630839	60, 75, 90, 105, 120, 140			297.19
RVME-2542577	SEAL KIT	5.000	2.250	96.86	RVME-6630843	SEAL KIT	100.00	60.00	68.70
RVME-2551396	SEAL KIT	9.000	3.500	260.00	RVME-6630843/8	SEAL KIT	100.00	60.00	67.11
RVME-2551397	SEAL KIT	7.000	2.750	158.41	RVME-6630852	75, 90, 105, 120, 140, 160			335.52
RVME-2551398	SEAL KIT	4.500	2.000	75.00	RVME-6630858	SEAL KIT	90.00	50.00	59.54
RVME-2551399	SEAL KIT	5.250	2.250	108.69	RVME-6630909	SEAL KIT	70.00	36.00	61.23
RVME-2551403	SEAL KIT	4.000	2.000	71.43	RVME-6630938	SEAL KIT	140.00	70.00	122.60
RVME-2562115	SEAL KIT	5.000	2.750	203.98	RVME-814816020	SEAL KIT	160.00	105.00	469.09
RVME-2562116	SEAL KIT	7.500	3.500	224.22	RVME-814816030	SEAL KIT	150.00	105.00	389.08
RVME-2562117	SEAL KIT	9.000	4.500	314.12	RVME-814816040	SEAL KIT	170.00	115.00	548.55
RVME-6213407	STAGES	70, 105, 120, 140		354.01	RVME-814816130	SEAL KIT	160.00	105.00	469.09
RVME-6630443	SEAL KIT	100.00	70.00	64.91	RVME-814816140	SEAL KIT	170.00	115.00	548.55
RVME-6630443/7	SEAL KIT	100.00	70.00	65.06	RVME-814816150	SEAL KIT	150.00	105.00	389.08

All manufacturer's names, part numbers and descriptions are used for reference purposes only. We do not imply that any part shown is the product of these manufacturers.

INDUSTRIAL  
SEAL KITS

MOBILE  
SEAL KITS

VOLVO-MICHIGAN-EUCLID

## WABCO KITS

INDUSTRIAL  
SEAL KITS

MOBILE  
SEAL KITS

WABCO

Model	Application	Serial Number	Cylinder Group	Bore	Rod	I	Ref. Number RWAB-	\$
						M		
630	FRONT SUSP	AFE46-R AFE43-AQ	TZ6901 TZ7661 TY9950	N/A	12.000	I	AK0531	909.59
	HOIST			8.25/10.50/13.00	6.75/9.75/12.00	M	AK0719	880.24
	HOIST			7.37/9.50/11.75	5.00/8.50/10.50	M	AK0927	1616.81
	REAR SUSP			N/A	12.000	I	AK0532	810.99
	STEERING			5.000	2.500	I	AK0076	113.56
685	FRONT SUSP		TZ6901	N/A	13.000	I	AK4439	1209.49
	HOIST			7.37/9.50/11.75	5.00/8.50/10.50	M	AK0927	1616.81
730	FRONT SUSP		EF5423       EJ8860/EJ6043	N/A	13.000	I	AK3869	1209.49
	FRONT SUSP			N/A	13.000	I	AK4439	1209.49
	HOIST			8.37/10.50/13.00	6.00/9.50/11.75	M	AK3730	2412.80
	REAR SUSP			N/A	10.000	I	AK4235	786.42
	REAR SUSP			N/A	10.000	I	AK4612	786.42
	REAR SUSP			N/A	10.000	I	AK4633	786.42
	REAR SUSP			N/A	10.000	I	AK4657	1076.41
	REAR SUSP			N/A	13.250	I	AK4942	1412.78
	REAR SUSP			340.00	280.00	M	AK4941	2457.72
	STEERING			5.000	2.500	I	AK3729	228.81
	STEERING			5.000	2.500	I	AK4438	228.81
	STEERING			5.500	2.500	I	AK4763	305.12
	830			FRONT SUSP	AF050-BU	EJ6895 EG5019 EH6547	N/A	14.000
FRONT SUSP		N/A	14.000	I			AK3870	1300.19
FRONT SUSP		N/A	14.000	I			AK4441	1436.14
FRONT SUSP		N/A	N/A				NO KIT	
FRONT SUSP		N/A	N/A				NO KIT	
HOIST		AFE32-Y	TY5936	9.50/11.50/14.00	7.00/10.50/13.00	M	AK0720	2673.99
HOIST			EJ6895	9.50/11.50/14.00	7.00/10.50/13.00	M	AK4892	2673.99
HOIST				9.50/11.50/14.00	7.00/10.50/13.00	M	AK4757	2954.80
REAR			EC5993	N/A	12.000	I	AK7161	926.54
REAR			EH9423	N/A	12.000	I	AK3856	926.54
930	STEERING	AFE32-EJ	TY9935	6.000	3.000	I	AK7283	182.41
	STEERING		EK1677	6.000	3.000	I	AK4370	451.50
	STEERING	AFE32-EJ	EC4587				AK3533	265.70
	STEERING	AFE32-EJ	EC4587 EK1677				AK4440	265.70
	FRONT						AK3857	
	HOIST			9.50/11.75/14.00	7.00/10.50/13.00	M	AK4325	3969.17
	HOIST			9.50/11.75/14.00	7.00/10.50/13.00	M	AK4569	3969.17
	HOIST		EJ5958/EH7927	9.50/11.75/14.00	7.00/10.50/13.00	M	AK4773	3969.17
HOIST			9.50/11.75/14.00	7.00/10.50/13.00	M	AK3854	3542.48	
HOIST			9.50/11.75/14.00	7.00/10.50/13.00	M	AK4883	3542.48	

All manufacturer's names, part numbers and descriptions are used for reference purposes only. We do not imply that any part shown is the product of these manufacturers.

Tel.: (204) 783-9617  
Fax: (204) 783-6091

**KITS 533**

[www.sealsonline.com](http://www.sealsonline.com)

## WABCO KITS

Model	Application	Serial Number	Cylinder Group	Bore	Rod	I	Ref. Number RWAB-	\$
						M		
	HOIST						AK4884	
	REAR				12.000	I	AK4324	1106.35
	REAR	AFE50-AN	EH9424	N/A	12.000	I	AK4446	1106.35
	REAR	AFE48-AC	EF8364	N/A	12.000	I	AK3856	926.54
	STEERING		EK1683/EH4426	6.500	3.250	I	AK4307	312.87
	STEERING		ED4611	6.500	3.000	I	AK4443	374.62
	STEERING		AH7931/EH4438	6.500	3.000	I	AK4444	412.70
<b>930-1</b>	FRONT		EG3807/EH6545	N/A	15.500	I	AK4442	1734.69
<b>930-2</b>	FRONT		EJ9945	N/A	15.750	I	AK4308	2526.87

## WABCO

## LISTING

Ref. Number	Desc.	Bore	Rod	\$	Ref. Number	Desc.	Bore	Rod	\$
RWAB-586293	SEAL KIT	4.250	2.500	56.89	RWAB-AK0711A	7, 8-3/4, 10-1/2	6-1/4, 8-1/8, 9-3/4		518.40
RWAB-587294	SEAL KIT - 6.250/8.125/9.750			1008.50	RWAB-AK0715	7, 8-3/4, 10-1/2	6-1/4, 8-1/8, 9-3/4		484.46
RWAB-589306A	60/65/75/85/120 HOIST SEAL KIT			760.00	RWAB-AK0717A	7, 8-3/4, 10-1/2	6-1/4, 8-1/8, 9-3/4		810.67
RWAB-589306B	60/65/75/85/120 HOIST SEAL KIT			712.47	RWAB-AK0719	630E HOIST SEAL KIT			880.24
RWAB-595307A	85C/85D/150 FRONT SUSPENSION			418.34	RWAB-AK0720	830E HOIST SEAL KIT			2673.99
RWAB-596308	85C/85D/150 FRONT SUSPENSION			397.95	RWAB-AK0927	630E HOIST SEAL KIT			1616.81
RWAB-597308	85C/85D/150 FRONT SUSPENSION			294.52	RWAB-AK3533	830E STEERING SEAL KIT			265.70
RWAB-598308	85C/85D/150 REAR SUSPENSION			271.40	RWAB-AK3729	730E STEERING SEAL KIT			228.81
RWAB-599307	85C/85D/150 FRONT SUSPENSION			584.38	RWAB-AK3730	730E HOIST SEAL KIT			2412.80
RWAB-AK0030	COMMERCIAL SHEARING			448.47	RWAB-AK3854	930E HOIST SEAL KIT			3542.48
RWAB-AK0061	85C/85D HOIST SEAL KIT			593.42	RWAB-AK3856	930E REAR SUSPENSION			926.54
RWAB-AK0074	25/35/35C/35D STEERING SEAL KIT			85.74	RWAB-AK3869	730E FRONT SUSPENSION			1209.49
RWAB-AK0075	85C/85D/120 HOIST SEAL KIT			251.59	RWAB-AK3870	830E FRONT SUSPENSION			1300.19
RWAB-AK0076	630E STEERING SEAL KIT			113.56	RWAB-AK4235	730E REAR SUSPENSION			786.42
RWAB-AK0531	630E FRONT SUSPENSION			909.59	RWAB-AK4307	930E STEERING SEAL KIT			312.87
RWAB-AK0532	630E REAR SUSPENSION			810.99	RWAB-AK4324	930E REAR SUSPENSION			1106.35
RWAB-AK0700	SEAL KIT 4, 6, 7-3/8 3-1/4, 5-1/4, 6-3/4			439.06	RWAB-AK4325	930E HOIST SEAL KIT			3969.17
RWAB-AK0708	85C/85D HOIST SEAL KIT			492.96	RWAB-AK4370	830E STEERING SEAL KIT			451.50

All manufacturer's names, part numbers and descriptions are used for reference purposes only. We do not imply that any part shown is the product of these manufacturers.

INDUSTRIAL SEAL KITS

MOBILE SEAL KITS

WABCO

## LISTING

## WABCO

INDUSTRIAL SEAL KITS

MOBILE SEAL KITS

WABCO

Ref. Number	Desc.	Bore Rod	\$	Ref. Number	Desc.	Bore Rod	\$
RWAB-AK4438	730E STEERING SEAL KIT		228.81	RWAB-RK1656A	6, 7-3/4, 8-3/4	3-3/4, 6-3/4, 7-3/8	931.18
RWAB-AK4439	730E FRONT SUSPENSION		1209.49	RWAB-RK1827A	7, 8-3/4, 10-1/2	6-1/4, 8-1/8, 9-3/4	529.48
RWAB-AK4440	830E STEERING SEAL KIT		265.70	RWAB-RK1827B	7, 8-3/4, 10-1/2	6-1/4, 8-1/8, 9-3/4	529.48
RWAB-AK4441	830E-930E FRONT SUSPENSION		1436.14	RWAB-RK1848	7, 8-3/4, 10-1/2	6-1/4, 8-1/8, 9-3/4	961.91
RWAB-AK4443	930E STEERING SEAL KIT		374.62	RWAB-RK1887	VALVE REPAIR KIT		149.61
RWAB-AK4444	930E STEERING SEAL KIT		412.70	RWAB-TD8594	O-RING		2.90
RWAB-AK4446	930E REAR SUSPENSION		1106.35	RWAB-TJ1304	8.000" - PISTON SEAL		157.27
RWAB-AK4569	930E HOIST SEAL KIT		3969.17	RWAB-TY1503	1.312" - BUSHING		64.98
RWAB-AK4612	730E REAR SUSPENSION		786.42	RWAB-TY9141	VENT PLUG C/W VENT HOLES		21.92
RWAB-AK4633	730E REAR SUSPENSION		786.42	RWAB-VD5076	GASKET		2.08
RWAB-AK4657	730E REAR SUSPENSION		1076.41	RWAB-VF4319	BLEEDER VALVE		16.65
RWAB-AK4757	830E HOIST SEAL KIT		2954.80	RWAB-VM0313	VENT PLUG		4.96
RWAB-AK4763	730E STEERING SEAL KIT		305.12	RWAB-VM0314	VENT PLUG		5.92
RWAB-AK4773	930E HOIST SEAL KIT		3969.17	RWAB-VM2202	VENT PLUG		20.89
RWAB-AK4883	930E HOIST SEAL KIT		3542.48	RWAB-VN6410	C/S 0.438-14 X 0.625"		13.92
RWAB-AK4892	830E HOIST SEAL KIT		2673.99	RWAB-VZ3177	2.000" - ROD WIPER		8.76
RWAB-AK4941	730E REAR SUSPENSION		2457.72	RWAB-VZ3178	2.000" - ROD SEAL		6.67
RWAB-AK4942	730E REAR SUSPENSION		1412.78	RWAB-VZ3691	3.500" - GUIDING ELEMENT		28.75
RWAB-AK7160	830E FRONT SUSPENSION		1300.19	RWAB-WA0362	0.812" - WASHER		1.28
RWAB-AK7161	830E REAR SUSPENSION		926.54	RWAB-WA0720	0.375" HARD ZINC WASHER		0.73
RWAB-AK7283	830E STEERING SEAL KIT		182.41	RWAB-WA2676	3.500" - PISTON SEAL		4.91
RWAB-PB2194	HIGH PRESSURE VALVE		254.80	RWAB-WA2701	0.750" - FLANGE COVER		7.40
RWAB-PB3446	BALL SEAL		46.98	RWAB-WA2702	1.000" - FLANGE COVER		7.40
RWAB-RK1262	SEAL KIT	8.250 7.000	629.28	RWAB-WA2703	1.250" - FLANGE COVER		7.40
RWAB-RK1355	7, 8-3/4, 10-1/2	6-1/4, 8-1/8, 9-3/4	789.36	RWAB-WA2705	2.000" - FLANGE COVER		7.40
RWAB-RK1611	SEAL KIT	4.000 2.500	63.11	RWAB-WA3206	O-RING		2.15
RWAB-RK1612	SEAL KIT	4.500 2.000	63.11	RWAB-WA4671	8.125" - ROD WIPER		41.50
RWAB-RK1639A	SEAL KIT	12.000	547.37	RWAB-WA4672	6.250" - ROD WIPER		33.93
RWAB-RK1639B	SEAL KIT	12.000	500.83	RWAB-WA4801	6.750" - ROD WIPER		82.53
RWAB-RK1646	SEAL KIT	4.500 2.500	74.85	RWAB-AK4442	SEAL KIT	15.500	1734.69
RWAB-RK1652	7, 8-3/4, 10-1/2	6-1/4, 8-1/8, 9-3/4	852.53	RWAB-AK4308	SEAL KIT	15.750	2526.87
RWAB-RK1655A	4-1/2, 6, 7-3/8	3-3/4, 5-1/4, 6-3/4	595.77				

All manufacturer's names, part numbers and descriptions are used for reference purposes only. We do not imply that any part shown is the product of these manufacturers.

**Tel.: (780) 414-1871**  
**Fax: (780) 487-5419**

**KITS 535**

[www.sealsonline.com](http://www.sealsonline.com)

## WARD - TELESCOPIC CYLINDERS

### V.set & Wiper

Ref. Number	Desc.	\$
RWAR-02950VW	02.950" STAGE - V.SET & WIPER	21.01
RWAR-03950VW	03.950" STAGE - V.SET & WIPER	25.55
RWAR-04950VW	04.950" STAGE - V.SET & WIPER	32.44
RWAR-05950VW	05.950" STAGE - V.SET & WIPER	32.44
RWAR-06950VW	06.950" STAGE - V.SET & WIPER	41.02
RWAR-07950VW	07.950" STAGE - V.SET & WIPER	49.95
RWAR-08950VW	08.950" STAGE - V.SET & WIPER	60.02

### Bearings - Bottom - Nylon

Ref. Number	Desc.	\$
RWAR-03950BRS	03.950" STAGE - BTM. BEARING	50.79
RWAR-04950BRS	04.950" STAGE - BTM. BEARING	57.52
RWAR-05950BRS	05.950" STAGE - BTM. BEARING	82.54
RWAR-06950BRS	06.950" STAGE - BTM. BEARING	83.17
RWAR-07950BRS	07.950" STAGE - BTM. BEARING	104.12
RWAR-08950BRS	08.950" STAGE - BTM. BEARING	105.53

### Bearings - Top - Nylon

Ref. Number	Desc.	\$
RWAR-03950BRF	03.950" STAGE - TOP BEARING	50.79
RWAR-04950BRF	04.950" STAGE - TOP BEARING	57.52
RWAR-05950BRF	05.950" STAGE - TOP BEARING	60.16
RWAR-06950BRF	06.950" STAGE - TOP BEARING	83.17
RWAR-07950BRF	07.950" STAGE - TOP BEARING	104.12
RWAR-08950BRF	08.950" STAGE - TOP BEARING	105.53

### Piston Wear Rings - Nylon

Ref. Number	Desc.	\$
RWAR-310/737/40	03.950" STAGE - PISTON W.RING	4.56
RWAR-310/737/50	04.950" STAGE - PISTON W.RING	4.56
RWAR-310/764/60	05.950" STAGE - PISTON W.RING	5.98
RWAR-310/764/70	06.950" STAGE - PISTON W.RING	6.98
RWAR-310/764/80	07.950" STAGE - PISTON W.RING	10.27
RWAR-310/764/90	08.950" STAGE - PISTON W.RING	12.20

### Piston Ring - Cast Iron

(Double acting cylinders only)

Ref. Number	Desc.	\$
RWAR-505/066/17	03.950" STAGE - PISTON RING	13.55
RWAR-505/066/24	04.950" STAGE - PISTON RING	18.91
RWAR-505/066/28	05.950" STAGE - PISTON RING	21.87
RWAR-505/066/35	06.950" STAGE - PISTON RING	44.13
RWAR-505/066/38	07.950" STAGE - PISTON RING	49.20
RWAR-505/066/40	08.950" STAGE - PISTON RING	70.61

### Piston Ring - Cast Iron Kits

(Double acting cylinders only)

Ref. Number	Desc.	\$
RWAR-48	04.000"-08.000" VEE SETS & WIPERS	219.38
RWAR-49	04.000"-09.000" VEE SETS & WIPERS	303.77
RWAR-BNB48	04.000"-08.000" BOTTOM BEARINGS	378.11
RWAR-BNB49	04.000"-09.000" BOTTOM BEARINGS	483.63
RWAR-PR48	04.500"-08.500" PISTON RINGS	238.33
RWAR-PR49	04.500"-09.500" PISTON RINGS	365.50
RWAR-SR48	04.000"-08.000" SNAP RINGS	438.89
RWAR-SR49	04.000"-09.000" SNAP RINGS	553.16
RWAR-TNB48	04.000"-08.000" TOP BEARINGS	355.62
RWAR-RNB49	04.000"-09.000" TOP BEARINGS	461.27
RWAR-WR48	04.500"-08.500" PISTON WEAR RINGS	97.08
RWAR-WR49	04.500"-09.500" PISTON WEAR RINGS	129.99

All manufacturer's names, part numbers and descriptions are used for reference purposes only. We do not imply that any part shown is the product of these manufacturers.

## TRACKED EXCAVATOR

## YUTANI

INDUSTRIAL  
SEAL KITS

MOBILE  
SEAL KITS

YUTANI

Model	Application	Serial Number	Cylinder Number	Bore	Rod	I	Ref. Number RYUT-	\$	
						M			
MD-120LC	ARM		2438U983F1		80.00	M	2438U925R100	133.70	
	BOOM (LH)		2438U923F1		70.00	M	2438U922R100	91.68	
	BOOM (RH)		2438U922F1		70.00	M	2438U922R100	91.68	
	BUCKET			2438U897F1		65.00	M	2438U897R100	77.11
				2438U897F1	100.00		M	2438U897R110	86.57
MD-140BLC	ARM		2438U973F1		80.00	M	2438U973R100	150.93	
			2438U973F1	120.00		M	2438U973R200	200.85	
	BOOM (RH)			2438U971F2		70.00	M	2438U971R100	94.63
				2438U971F2	105.00		M	2438U971R200	142.97
	BOOM (LH)			2438U972F2		70.00	M	2438U971R100	94.63
				2438U972F2	105.00		M	2438U971R200	142.97
MD-180LC	BUCKET		2438U974F1		65.00	M	2438U974R100	75.89	
			2438U974F1	100.00		M	2438U974R200	146.42	
	ARM			2438U921F1		95.00	M	2438U921R100	95.70
				2438U921F2					
				2438U921F1	145.00		M	2438U921R110	183.89
	BOOM			2438U921F2					
				2438U914D1F1		85.00	M	2438U914R100	102.37
				2438U914D2F1		85.00	M	2438U914R100	102.37
		BOOM (RH)		2438U980F1		85.00	M	2438U914R100	102.37
		BOOM (LH)		2438U981F1		85.00	M	2438U914R100	102.37
BUCKET		2438U915F1		75.00	M	2438U915R100	77.36		
MD-200BLC			2438U915F1	120.00		M	2438U915R110	146.61	
	ARM				100.00	M	2438U941R100	267.22	
				2438U941F1	145.00		M	2438U941R200	252.58
	BOOM (LH)				85.00	M	2438U996R100	117.49	
				2438U996F1	125.00		M	2438U996R200	247.17
	BOOM (RH)			2438U997F1		85.00	M	2438U996R100	117.49
				2438U997F1	125.00		M	2438U996R200	247.17
	BUCKET			2438U995F1		80.00	M	2438U995R100	115.70
			2438U995F1	120.00		M	2438U995R200	213.50	
MD-240BLC	ARM				105.00	M	2438U953R100	229.25	
				2438U953F1	150.00		M	2438U953R200	210.55
	BOOM (RH)				90.00	M	2438U999R100	112.84	
				2438U999F1	140.00		M	2438U999R200	217.31
	BOOM (LH)				90.00	M	2438U999R100	112.84	
				2438U1000F1	140.00		M	2438U999R200	217.31
	BUCKET				85.00	M	2438U959R100	121.39	
				2438U959F1	130.00		M	2438U959R200	162.02

All manufacturer's names, part numbers and descriptions are used for reference purposes only. We do not imply that any part shown is the product of these manufacturers.

Tel.: (403) 279-1871  
Fax: (403) 279-1821

**KITS 537**

[www.sealsonline.com](http://www.sealsonline.com)

## YUTANI

## TRACKED EXCAVATOR

Model	Application	Serial Number	Cylinder Number	Bore	Rod	I	Ref. Number RYUT-	\$
						M		
MD-300LC	ARM		2438U1323F1	160.00	110.00	M	2438U1323R100	234.57
			2438U1323F1			M	2438U1323R110	289.04
	BOOM		2438U776F1	150.00	95.00	M	2438U776R100	139.35
			2438U776F1			M	2438U776R110	225.46
	BUCKET		2438U1324F1	150.00	100.00	M	2438U1324R100	192.18
			2438U1324F1			M	2438U1324R110	170.87
MD-450BLC	ARM		2438U1029F1	180.00	130.00	M	2438U1029R100	209.00
			2438U1029F1			M	2438U1029R200	230.65
	BOOM		2438U1028D1F1	170.00	110.00	M	2438U1028R100	129.54
			2438U1028D1F1			M	2438U1028R200	321.02
	BUCKET		2438U1028D2F1	170.00	110.00	M	2438U1028R100	129.54
			2438U1028D2F1			M	2438U1028R200	321.02
	BUCKET		2438U1030F1	170.00	120.00	M	2438U1030R100	161.52
			2438U1030F1			M	2438U1030R200	321.02

## YUTANI

## KIT LISTING

Ref. Number	Desc.	Bore	Rod	\$	Ref. Number	Desc.	Bore	Rod	\$
RYUT-2438U1028R100	SEAL KIT		110.00	145.55	RYUT-2438U925R100	SEAL KIT		80.00	142.40
RYUT-2438U1028R200	SEAL KIT	170.00		360.70	RYUT-2438U941R100	SEAL KIT		100.00	300.26
RYUT-2438U1029R100	SEAL KIT		130.00	234.83	RYUT-2438U941R200	SEAL KIT	145.00		283.79
RYUT-2438U1029R200	SEAL KIT	180.00		259.16	RYUT-2438U953R100	SEAL KIT		105.00	257.58
RYUT-2438U1030R100	SEAL KIT		120.00	181.49	RYUT-2438U953R200	SEAL KIT	150.00		236.59
RYUT-2438U1030R200	SEAL KIT	170.00		360.70	RYUT-2438U959R100	SEAL KIT		85.00	136.40
RYUT-2438U1323R100	SEAL KIT		110.00	263.54	RYUT-2438U959R200	SEAL KIT	130.00		182.06
RYUT-2438U1323R110	SEAL KIT	160.00		324.77	RYUT-2438U971R100	SEAL KIT		70.00	106.32
RYUT-2438U1324R100	SEAL KIT		100.00	215.94	RYUT-2438U971R200	SEAL KIT	105.00		160.65
RYUT-2438U1324R110	SEAL KIT	150.00		191.99	RYUT-2438U973R100	SEAL KIT		80.00	169.59
RYUT-2438U776R100	SEAL KIT		95.00	156.55	RYUT-2438U973R200	SEAL KIT	120.00		225.68
RYUT-2438U776R110	SEAL KIT	150.00		253.33	RYUT-2438U974R100	SEAL KIT		65.00	85.28
RYUT-2438U897R100	SEAL KIT		65.00	86.64	RYUT-2438U974R200	SEAL KIT	100.00		164.52
RYUT-2438U897R110	SEAL KIT	100.00		97.28	RYUT-2438U995R100	SEAL KIT		80.00	129.99
RYUT-2438U914R100	SEAL KIT		85.00	115.03	RYUT-2438U995R200	SEAL KIT	120.00		239.89
RYUT-2438U915R100	SEAL KIT		75.00	86.91	RYUT-2438U996R100	SEAL KIT		85.00	132.01
RYUT-2438U915R110	SEAL KIT	120.00		164.73	RYUT-2438U996R200	SEAL KIT	125.00		277.72
RYUT-2438U921R100	SEAL KIT		95.00	107.52	RYUT-2438U999R100	SEAL KIT		90.00	126.77
RYUT-2438U921R110	SEAL KIT	145.00		206.62	RYUT-2438U999R200	SEAL KIT	140.00		244.17
RYUT-2438U922R100	SEAL KIT		70.00	103.01					

All manufacturer's names, part numbers and descriptions are used for reference purposes only. We do not imply that any part shown is the product of these manufacturers.



INDUSTRIAL  
SEAL KITS

MOBILE  
SEAL KITS

YUTANI

All manufacturer's names, part numbers and descriptions are used for reference purposes only. We do not imply that any part shown is the product of these manufacturers.

Tel.: (604) 278-6808  
Fax: (604) 278-6180

**KITS 539**

[www.sealonline.com](http://www.sealonline.com)



